

EUREKA

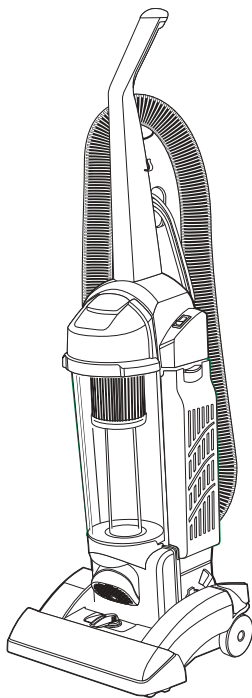
Upright Vacuum Cleaner

Owner's Guide

Household Type

5740-5799 Series

5840-5898 Series



IMPORTANT

Do not return this product to the store.

For assembly problems or questions contact: Eureka's Customer Service Division toll free at 1-800-282-2886*, 7 a.m. to 8 p.m., Central Standard Time, Monday through Saturday.

For replacement of broken or missing items to be shipped direct to you, call 1-800-438-7352*, 8 a.m. to 4:45 p.m., Central Standard Time, Monday through Friday.

*En Mexico llame al 5670-6169

2-4

IMPORTANT INFORMATION

5-6

QUICK REFERENCE

7-8

HOW TO ASSEMBLE

9

HOW TO USE

ROUTINE MAINTENANCE

10

Dust Cup

11

Dust Cup Filter

12

Side Door Filters

PERIODIC MAINTENANCE

13

Brush Roll

Brush Roll Belt

14

Light Bulb

PROBLEM SOLVING

15

Clear Hose

16

Guide

17

CUSTOMER ORDER FORM

19

WARRANTY

IMPORTANT SAFEGUARDS

When using an electrical appliance, basic precautions should always be followed, including the following:

READ ALL INSTRUCTIONS BEFORE USING THIS VACUUM CLEANER.

WARNING

To reduce the risk of fire, electric shock, or injury:

- Do not use outdoors or on wet surfaces.
- **Do not leave vacuum cleaner when plugged in.** Turn off the switch and unplug the electrical cord when not in use and before servicing.
- Do not allow to be used as a toy. Close attention is necessary when used by or near children.
- Use only as described in this manual. Use only manufacturer's recommended attachments.
- Do not use with damaged cord or plug. If vacuum cleaner is not working as it should, has been dropped, damaged, left outdoors, or dropped into water, return it to a service center before using.
- Do not pull or carry by cord, use cord as a handle, close a door on cord, or pull cord around sharp edges or corners. Do not run vacuum cleaner over cord. Keep cord away from heated surfaces.
- Do not use extension cords or outlets with inadequate current carrying capacity.
- Turn off all controls before unplugging.
- Do not unplug by pulling on cord. To unplug, grasp the plug, not the cord.
- Do not handle plug or vacuum cleaner with wet hands.
- Do not put any object into openings. Do not use with any opening blocked; keep free of dust, lint, hair, and anything that may reduce airflow.
- This vacuum cleaner creates suction and contains a revolving brush roll. Keep hair, loose clothing, fingers, and all parts of body away from openings and moving parts.
- Do not place cleaner on furniture or stairs as the brush roll may cause damage. Place cleaner on floor with the handle in storage position while using attachments.
- Do not pick up anything that is burning or smoking, such as cigarettes, matches, or hot ashes.
- Do not use without the dust cup or filter(s) in place.
- Belt pulleys can become hot during normal use. To prevent burns, avoid touching the belt pulley when servicing the drive belt.
- Use extra care when cleaning on stairs.
- Do not use to pick up flammable or combustible liquids such as gasoline, or use in areas where they may be present.
- Store your cleaner indoors in a cool, dry area.
- Keep your work area well lighted.
- Unplug electrical appliances before vacuuming them.

SAVE THESE INSTRUCTIONS

CONSEILS DE SÉCURITÉ

Lors de l'utilisation d'un appareil électrique, quelques précautions élémentaires doivent être observées, incluant les suivantes:

LISEZ TOUTES LES INSTRUCTIONS AVANT D'UTILISER VOTRE ASPIRATEUR.

AVERTISSEMENT

Pour réduire le risque de feu, de choc électrique, ou de blessure:

- Ne pas utiliser à l'extérieur ou sur des surfaces mouillées.
- **Fermez le commutateur et débranchez l'appareil lorsque vous ne l'utilisez pas ou avant le nettoyage ou l'entretien.**
- Ne permettez pas qu'il soit utilisé comme jouet. Une attention particulière est nécessaire lorsque utilisé par ou près d'un enfant.
- Suivez les recommandations d'utilisation de ce manuel. Utilisez uniquement les accessoires recommandés par le fabricant.
- Ne pas utiliser si le cordon ou la fiche sont endommagés. Si l'aspirateur ne fonctionne pas comme il le devrait, s'il a été échappé, s'il est endommagé, s'il a été laissé à l'extérieur ou échappé dans l'eau, retournez-le à un centre de service avant d'utiliser.
- Ne pas le tirer ou le transporter par le cordon, ne pas utiliser le cordon en guise de poignée. Ne pas fermer une porte sur le cordon ou tirer le cordon sur des coins ou bordures pointus. Ne pas circuler sur le cordon avec l'aspirateur. Tenir le cordon à distance des surfaces chauffantes.
- Ne pas utiliser des rallonges ou des prises qui n'ont pas de capacité suffisante pour transporter le courant.
- Fermer tous les contrôles avant de débrancher.
- Ne pas débrancher en tirant sur le cordon. Pour débrancher, tenez la fiche et non le cordon.
- Ne pas manipuler la fiche ou l'aspirateur avec les mains mouillées.
- Ne pas rien insérer dans les ouvertures. Ne pas utiliser si des ouvertures sont bloquées; assurez-vous qu'elles soient dégagées de poussière, mousse, cheveux ou toute autre chose qui pourrait réduire le passage de l'air.
- Cet aspirateur crée de la succion et contient un rouleau-brosse tournant. Tenir les parties mobiles et les ouvertures loin des cheveux, du linge, des doigts et de toute partie du corps.
- Ne pas mettre l'aspirateur sur les meubles ou sur les escaliers car le rouleau-brosse peut faire des dommages. Placer l'aspirateur sur le plancher avec le manche en entreposage position temps que les accessoires sont en usage.
- Ne pas ramasser des objets qui brûlent ou fument comme les cigarettes, allumettes ou cendres chaudes.
- N'utilisez pas sans le coupe de poussière de ou filtre(s) en place.
- Les poulies du courroie peuvent devenir chaudes pendant l'utilisation normale. Pour prévenir des brûlures, évitez de touché la poulie du courroie lorsque vous réparez la courroie.
- Portez une attention particulière lorsque vous nettoyez les escaliers.
- Ne pas utiliser pour ramasser des liquides inflammables ou combustibles comme de l'essence: Ne pas utiliser dans les endroits où ces liquides pourraient être présents.
- Entrez votre aspirateur à l'intérieur dans un endroit propre et sec.
- Maintenez un bon éclairage à l'endroit où vous travaillez.
- Débrancher les appareils électrique avant de les balayer.

CONSERVEZ CES INSTRUCTIONS

To reduce the risk of electric shock, this appliance has a polarized plug (one blade wider than the other). This plug will fit in a polarized outlet only one way. If the plug does not fit fully in the outlet, reverse the plug. If it still does not fit, contact a qualified electrician to install the proper outlet. Do not change the plug in any way.

Afin de réduire le risque de choc électrique, cet appareil est muni d'une fiche polarisée (une des lames est plus large). Cette fiche ne peut être insérée dans une prise polarisée que d'une seule façon. Si la fiche ne peut être insérée dans la prise, retourner la fiche. Si la fiche ne peut toujours pas être insérée dans la prise, faire installer une prise adéquate par un électricien qualifié. Ne pas modifier la fiche.

GENERAL INFORMATION

The cleaner is designed to pick up dirt and dust particles. Avoid picking up hard or sharp objects with the cleaner to prevent hose clogs.

Service Information

The instructions in this booklet serve as a guide to routine maintenance. For additional service information telephone our toll free number for the nearest Eureka Authorized Warranty Station. **You should know the model, type and serial numbers when you call:**

USA: 1-800-282-2886
Mexico: 5670-6169
Canada: 1-800-282-2886

If you prefer, you can write to The Eureka Company, Service Division, 807 North Main Street, Bloomington, Illinois 61701, USA. In Canada write to The Eureka Company, 866 Langs Drive, Cambridge, Ontario N3H 2N7. Refer to The Eureka Limited Warranty for complete service information.



DO NOT OIL the motor or the brush roll at any time. The bearings are permanently lubricated and sealed.

Rating Plate

The model, type, and serial numbers are indicated on the rating plate located on the back side of the cleaner. For prompt and complete service information, always refer to these numbers when inquiring about service.

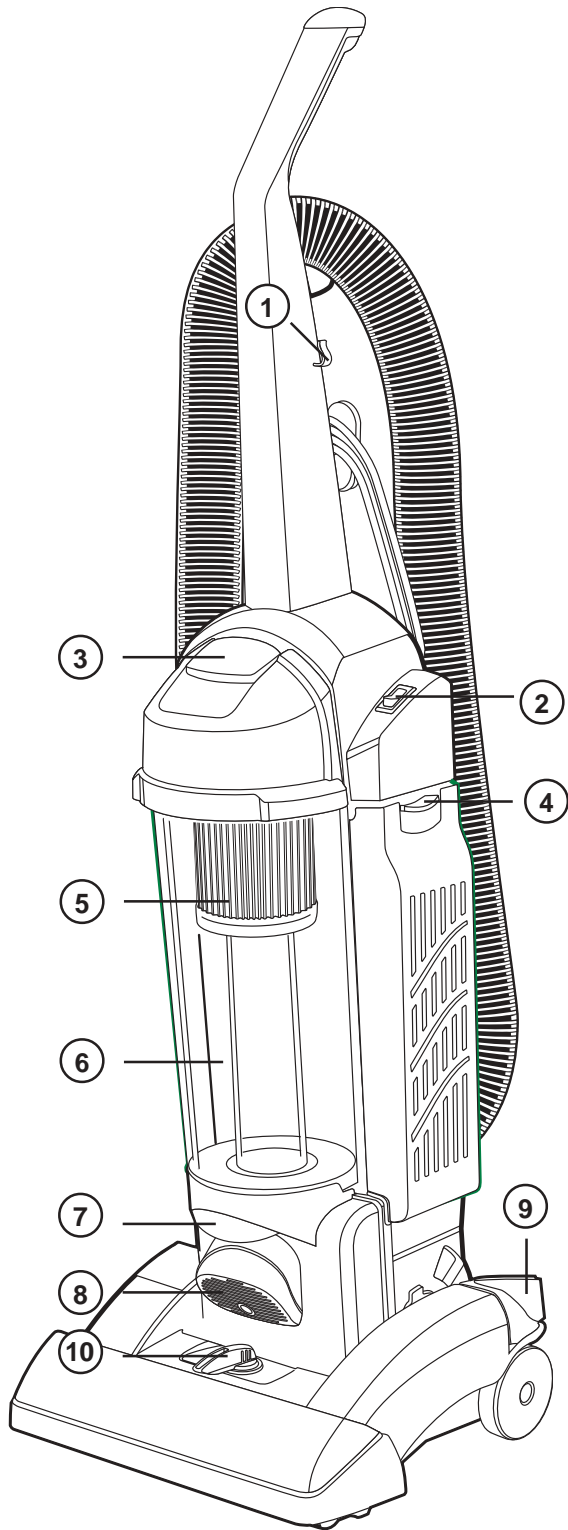
Model & Type _____

Serial No. _____

| | | |
|--|-------|------------|
| MODEL | TYPE | SERIAL NO. |
| VOLTS | AMPS. | HERTZ |
| SERVICE INFORMATION: 1-800-282-2886 | | |
| THE EUREKA COMPANY BLOOMINGTON, ILLINOIS 61701 | | |

Thermal Cut Off

This vacuum cleaner has a special thermostat that protects the cleaner in case of motor overheating. If the cleaner suddenly shuts off, push the on/off switch off (0) and unplug the cleaner. Check the cleaner for a possible source of overheating such as a full dust cup, a blocked hose or clogged filter. If these conditions are found, fix them and wait at least 30 minutes before attempting to use the cleaner. After the 30 minute period, plug the cleaner back in and push the on/off switch on (I). If the cleaner still does not run, then take it to a Eureka Authorized Service Center for repair.

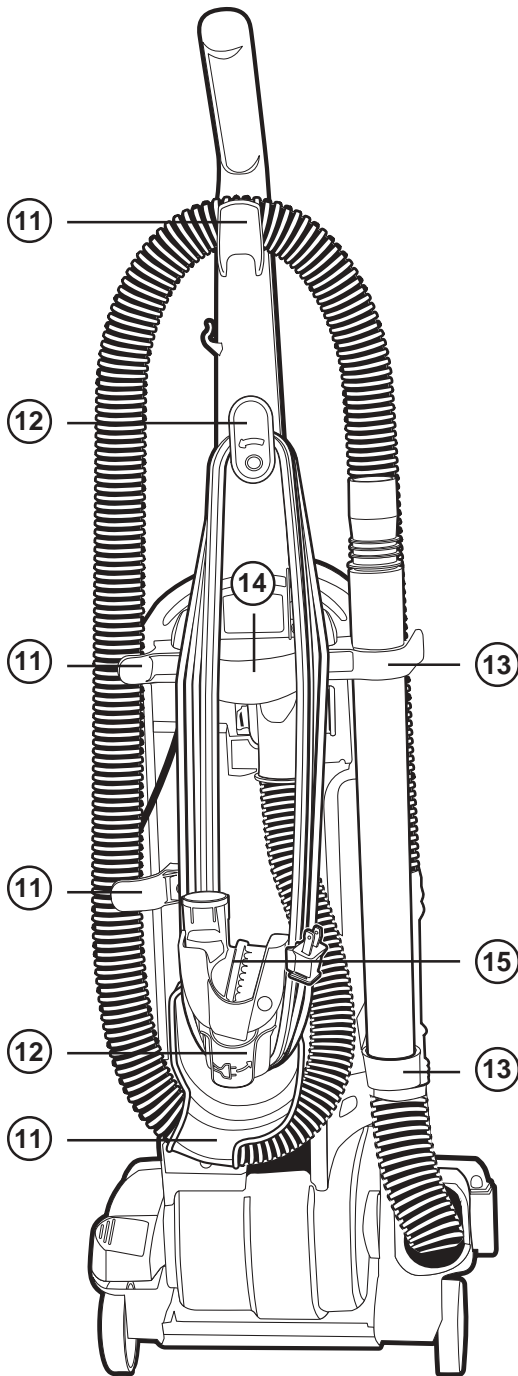


- ① **Cord Retainer.** To use, push electrical cord down into cord retainer.
- ② **ON/OFF Switch.** International symbol **I** means On, International symbol **O** means Off.
- ③ **Dust Cup Latch.** Pull up on latch to remove dust cup giving access to the dust cup filter and motor filter.
- ④ **Filter Door Latch.** Push down on latch and pivot out for access to the filter compartment. Push up on latch to close door.
- ⑤ **Dust Cup Filter.** Clean the dust cup filter frequently to maintain good performance.
- ⑥ **Dust Cup.** The debris from cleaning is collected in the dust cup.
- ⑦ **Stair Handle.** To use when cleaning stairs.
- ⑧ **Headlight.**
- ⑨ **Handle Release.** Step on handle release to pull handle back to a comfortable operating position.
- ⑩ **Cleaner Height Setting.** An adjustment that raises or lowers the cleaner base to match the type of floor surface.

WARNING: Avoid injury. Keep loose clothing, hair, fingers, and all other parts of body away from any moving part (such as the revolving brush). Turn off the switch and unplug the cleaner before changing the cleaner height setting.

Helpful Information:

Listen to your cleaner. If you notice a change in the sound of the motor or a change in performance, it could simply indicate a common usage or maintenance issue. Such as, a need to raise or lower the carpet height adjustment, possible blockage in hose or brush roll area, or a broken or loose brush roll belt. These are all easy to fix and the instructions are included in this owner's guide. Becoming familiar with the information in this guide will help you to get the best possible performance from your new cleaner for many years to come.



- ①① **Hose Retainers (4).** Place hose in retainers to store hose on unit.
- ①② **Electrical Cord Hooks (2).** Wrap electrical cord around them to store electrical cord on unit. The upper cord hook rotates for quick cord release.
- ①③ **Nested Wand Storage.** The crevice wand stores inside the larger wand.
- ①④ **Carrying Handle.** Use this handle to carry unit from one place to another.
- ①⑤ **Dusting/Upholstery Brush Storage.** Store the dusting brush on back of cleaner.

NOTE: WHEN UNIT IS RUNNING, DO NOT ATTEMPT TO REMOVE ANY OBJECT WHICH PREVENTS THE BRUSH ROLL FROM TURNING.

**First, turn off unit, unplug from the electrical socket, then remove object from brush roll area.
Ex: sock, rug, etc.**

Thermal Cut Off

This cleaner has a special thermostat that protects the cleaner in case of motor overheating. If the cleaner suddenly turns off, follow this procedure:

1. Push rocker switch to off (O) position.
2. Unplug cleaner.
3. Check for source of overheating problem (i.e. full dust cup, blocked hose, or clogged filter).
4. If a full dust cup, blocked hose or clogged filter is found, empty the cup, clear the hose or replace or clean the filters.
5. Wait at least 30 minutes before attempting to reuse the cleaner.
6. After 30 minute cool down period, plug the cleaner in and push the rocker switch to the on (I) position. The cleaner should turn on.
7. If the cleaner still does not operate, take it to any Eureka Authorized Service Center for repair. Call 1-800-282-2886 for the nearest Eureka Authorized Service Center to you.

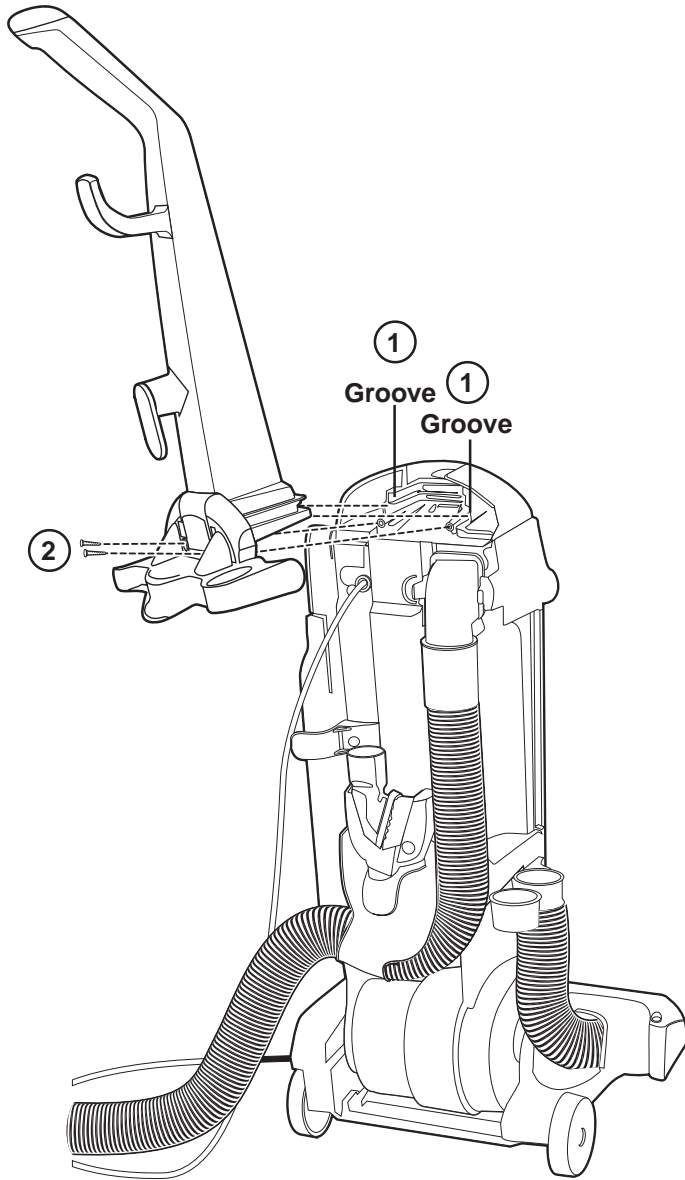
CAUTION: Assemble the cleaner before using.

CAUTION: Moving parts, make sure on/off switch is in off (0) position before plugging in.

NOTE: Features may vary by model yet all parts assemble the same.

Attach Handle

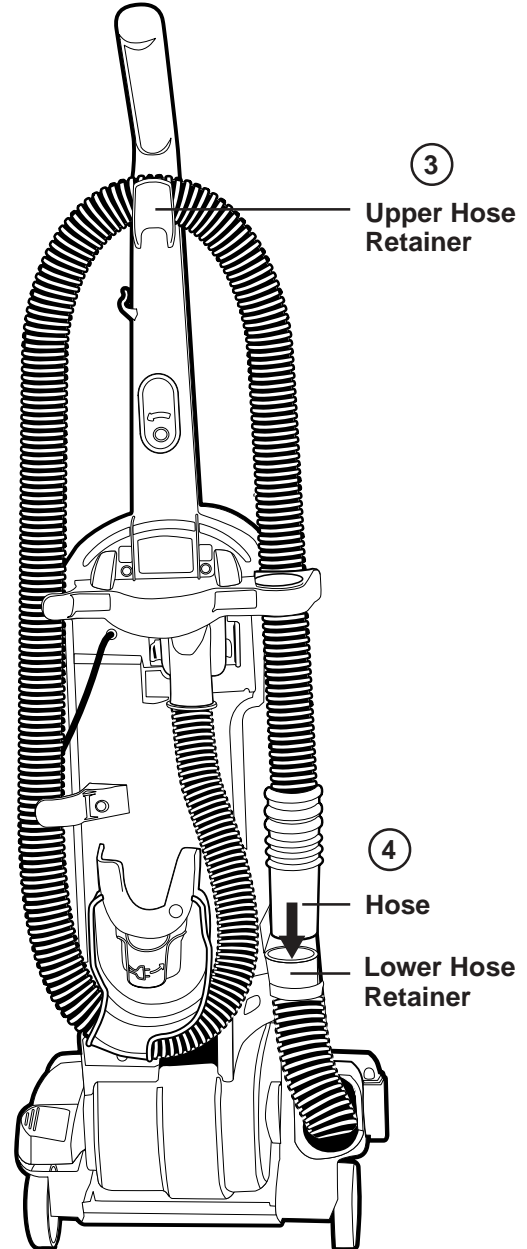
CAUTION: Do not catch cord under handle.



- ① From rear of cleaner, align handle with groove and slide onto cleaner. If necessary, use thumb and finger pressure to slide handle into position.
- ② Attach handle with two 1 inch screws provided in the assembly packet. Use a Phillips® head screwdriver.

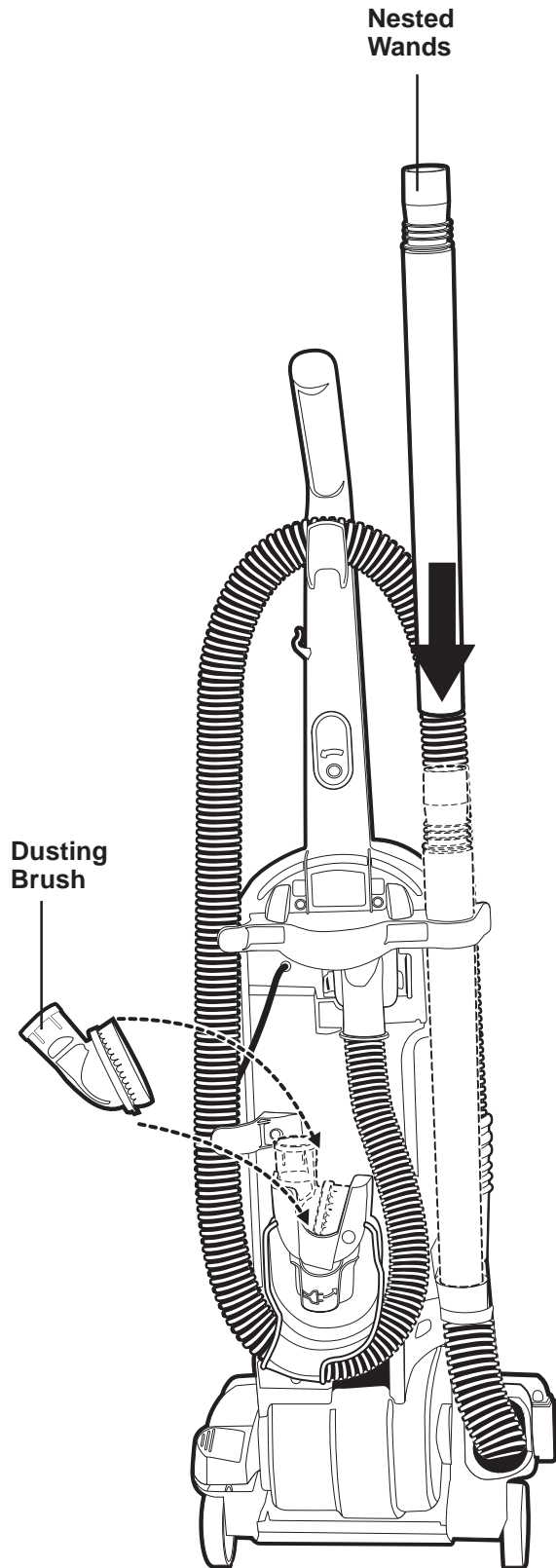
NOTE: Hand tighten with screwdriver to be sure both screws are firmly seated.

Attach Hose

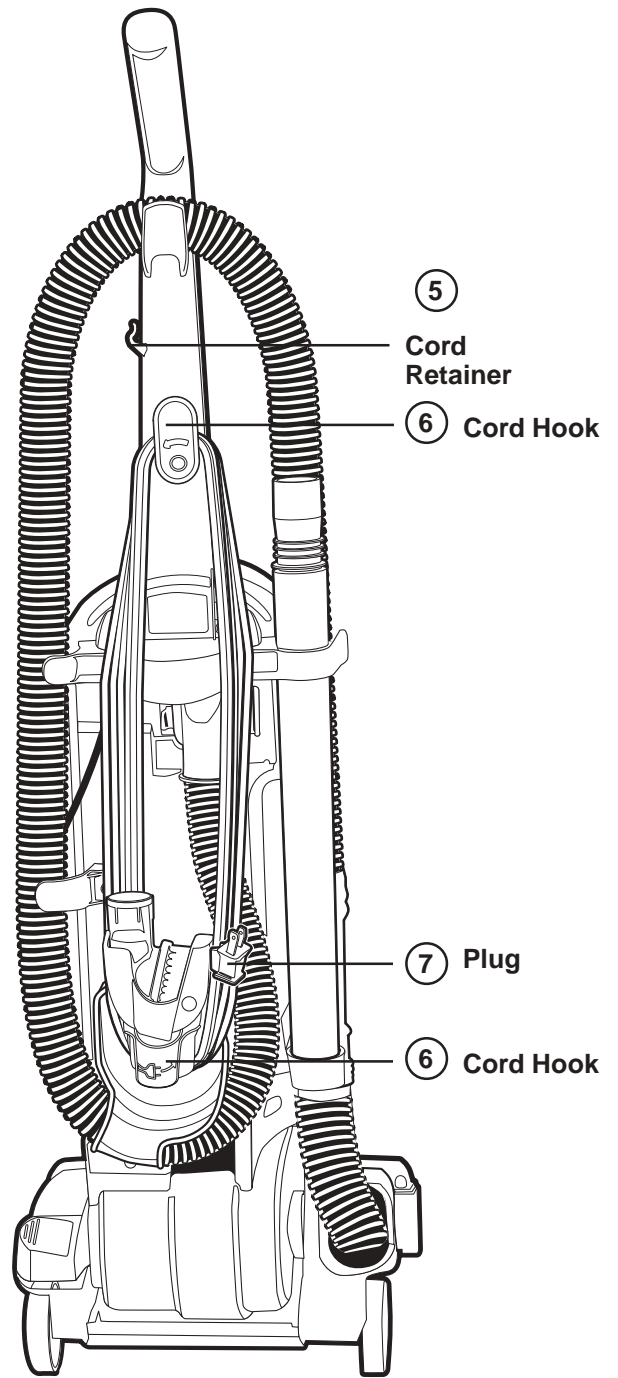


- ③ Pick up hose and lay across upper hose retainer.
- ④ Push the end of the hose in the lower hose retainer to secure.

Store Hose and Accessories



Store Electrical Cord



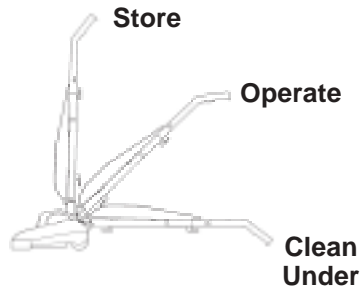
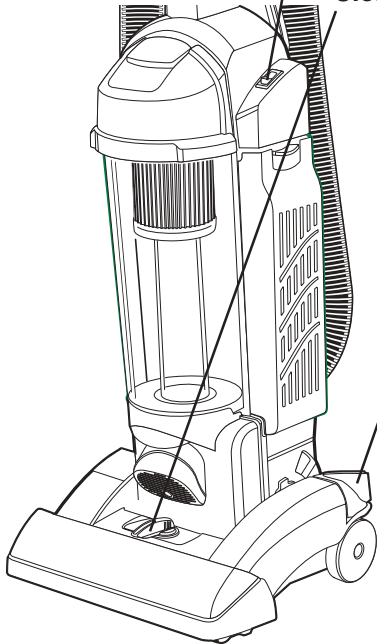
- 5 You will find your cord retainer on the handle above the upper cord hook. Firmly push the electrical cord down into the cord retainer. This will place the cord out of the way the next time you vacuum.
- 6 Next wind the cord around the two cord hooks on the back side of cleaner.
- 7 Secure the plug to the cord to prevent unwinding.

ON/OFF Switch. International symbol I means On, International symbol O means Off.

Cleaner Height Setting. An adjustment that raises or lowers the cleaner base to match the type of floor surface. With the cleaner cord unplugged, set the adjustment to lowest setting for maximum carpet cleaning. **If the cleaner is difficult to push, move adjustment to next highest setting until cleaner is comfortable to push.** The brush roll must reach the carpet for effective cleaning. For ease in moving the adjustment knob, place handle in operating position and tilt cleaner back to remove weight from front wheels.

Handle Release. Step on handle release to pull handle back to a comfortable operating position. To lower handle completely to the floor, depress handle release a second time.

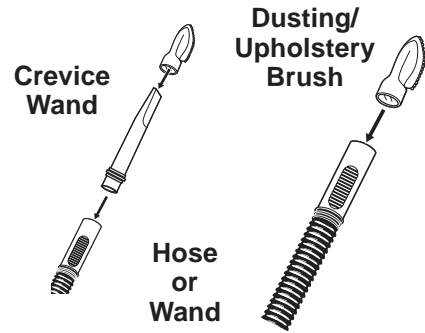
WARNING: Avoid injury. Keep loose clothing, hair, fingers, and all other parts of body away from any moving part (such as the revolving brush). Turn off the switch and unplug the cleaner before changing the cleaner height setting.



Helpful Information:
Before cleaning under low furniture, check area first for objects that might harm the unit or block the vacuum hose.

NOTE: While using accessories, do not place cleaner on furniture or steps as the brush roll may cause damage. Place cleaner on floor with the handle in storage position.

1. To use accessories remove hose from rear of cleaner by lifting up and twisting.
2. Place desired accessory onto end of hose or wand.



Dusting/Upholstery Brush is for furniture, blinds, books, lamp shades, shelves, curtains, draperies, cushions and fabrics.

Crevice Wand cleans corners, stairs, baseboards, and between cushions.

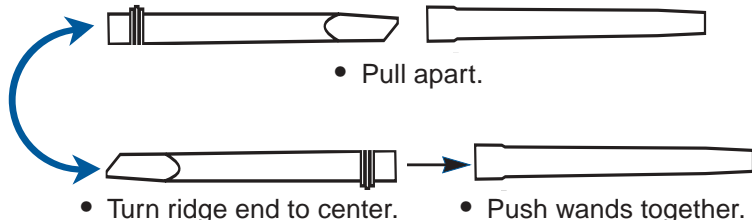
Nested extension wands to add reach.



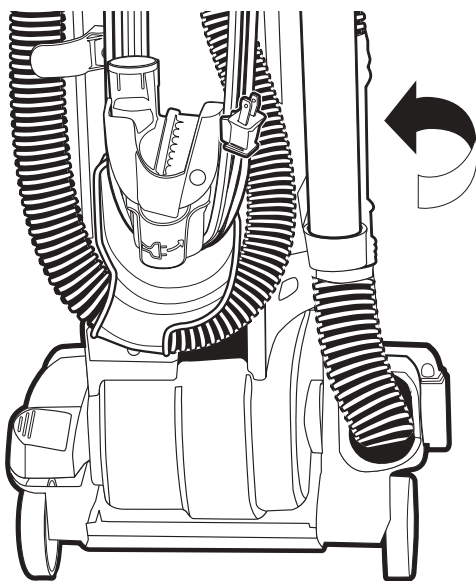
- Grasp both wands near ridges.



- Pull apart.



- Turn ridge end to center.
- Push wands together.



HOW TO USE

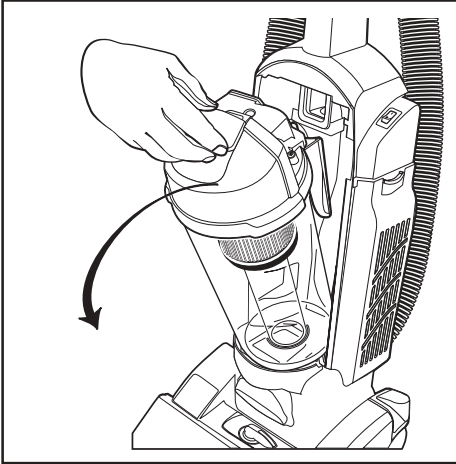
The instructions in this booklet serve as a guide to routine maintenance. To avoid unnecessary service calls, check the dust cup, filters, belt, and brush roll often. We suggest emptying the dust cup after every use.

NOTE: When vacuuming carpet fresheners or cleaners, powder, plaster dust, or similar fine substances, the dust cup and filters will require more frequent maintenance.

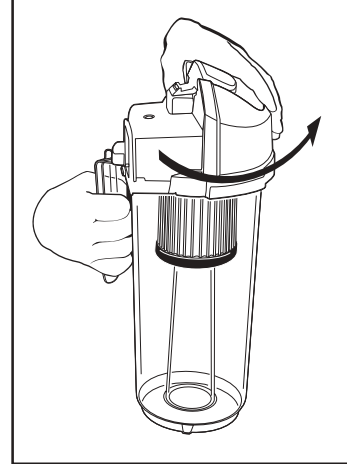
NOTE: Turn off the switch and unplug the electrical cord before changing the filter. Never operate the vacuum cleaner without the dust cup or filter assembly in place.

Emptying the Dust Cup:

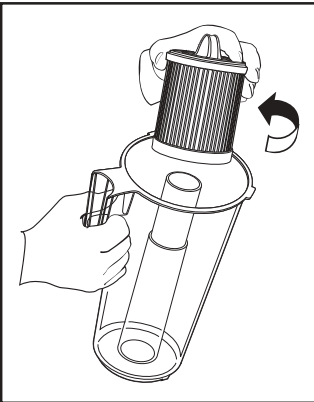
- ① Remove dust cup by pulling latch upward and pivoting dust cup out and away from cleaner.



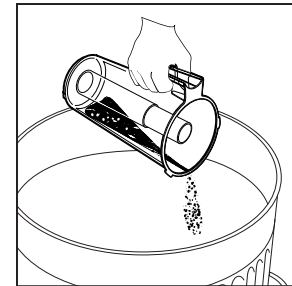
- ② Grasp dust cup lid and twist counterclockwise to remove.



- ③ Lift filter up and out of dust cup with a twisting motion.



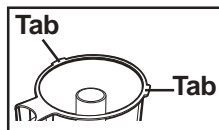
- ④ Dump debris in a waste container.



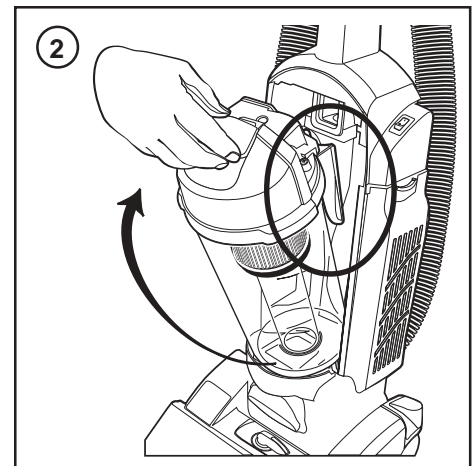
Reinstalling the Dust Cup:

- ① Replace filter onto center tube in dust cup applying gentle pressure.

- ② Line up tabs on dust cup with openings on lid, rotate lid clockwise while applying pressure to secure. The lock symbol (⊕) on lid will be centered over dust cup handle when properly assembled.



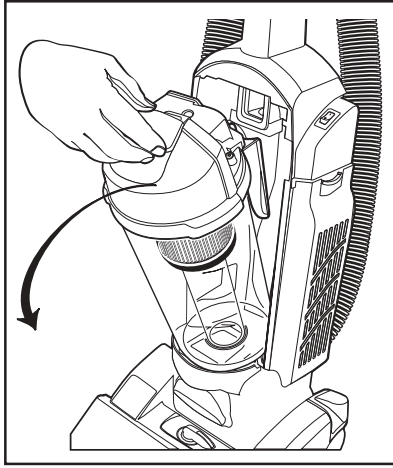
- ③ To replace dust cup, position dust cup with handle facing inside the dust cup compartment; place bottom of dust cup in bottom of compartment and rotate upward, pushing dust cup against cleaner until it locks into place.



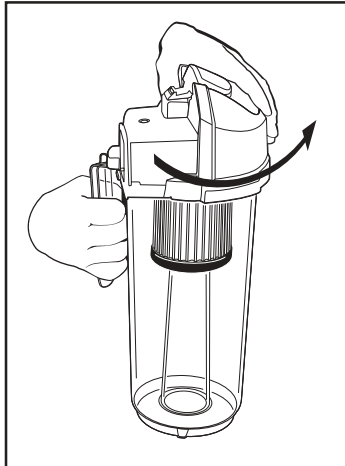
Instructions to Clean or Change Dust Cup Filter, Style DCF3

Check and clean the filter frequently to maintain good performance.

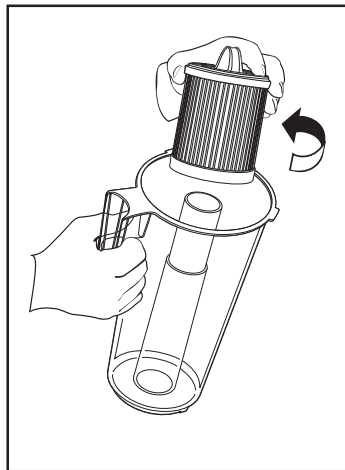
Remove dust cup by pulling latch upward and pivoting dust cup out and away from cleaner.



Grasp dust cup lid and twist counterclockwise to remove.



Lift filter up and out of dust cup with a twisting motion. Clean or replace with a new filter.



To clean the Filter, Dust Cup and Dust Cup Lid:

- ① To remove debris, tap filter against waste container and/or brush with dusting brush accessory tool. You may also vacuum the filter using a different cleaner.
- ② If filter needs further cleaning, wash in warm water using a mild detergent. To clean between filter pleats, fan open under running water.
- ③ If dust cup needs cleaning, wash in warm water using a mild detergent. **Do not submerge dust cup lid, wipe only with a damp cloth.**
- ④ **When all parts are completely dry, replace filter in dust cup and replace lid.**

NOTE: These parts are not dishwasher safe.

NOTE: Your dust cup filter may need to be replaced if cleaning it does not restore cleaning performance.

Use **GENUINE EUREKA** replacement filter, Style DCF3.

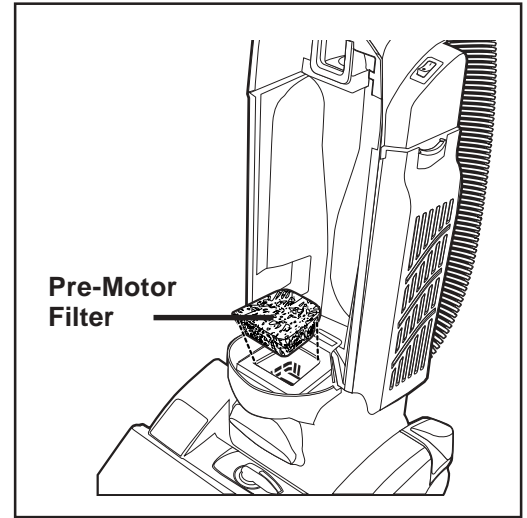
Pre-Motor Filter

Check the pre-motor filter each time the dust cup is emptied. Clean or replace as needed.

To Clean Pre-Motor Filter

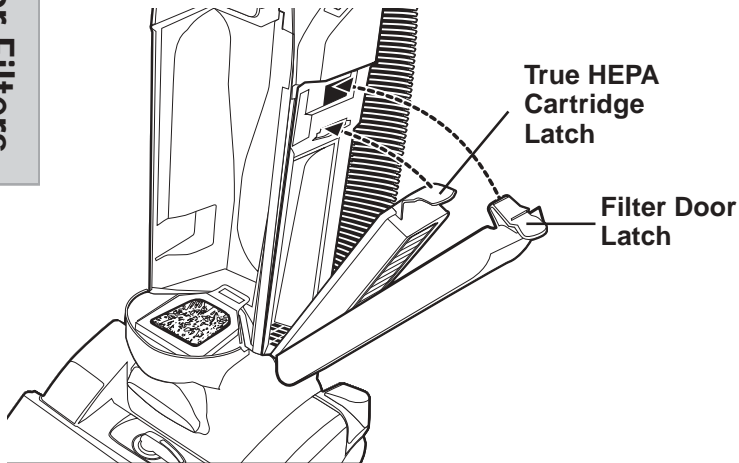
1. Remove filter centered in the bottom of the dust cup compartment.
2. Shake filter to remove excess dust. If necessary, the filter can be cleaned by vacuuming with another cleaner or washing with mild detergent.
3. Reinstall filter after completely dry.

Use **GENUINE EUREKA** replacement pre-motor filter, Part No. 71480.



Models equipped with Cartridge Filter (Only cartridge style filters can be used with these models.)

Check the True HEPA filter each time dust cup is emptied. Replace twice a year or as needed.



To remove True HEPA cartridge filter

1. Push down on filter door latch and pull door away from cleaner.
2. Push down on HEPA cartridge latch and remove filter.

To replace True HEPA cartridge filter

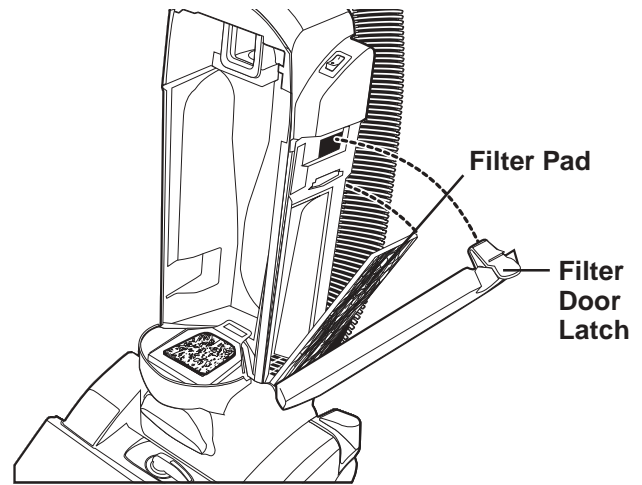
1. Place bottom tabs of filter cartridge into slots. Rotate filter toward cleaner. Push upward on the latch to secure into place. **Make sure True HEPA cartridge latch is secured on both sides.**
2. Replace filter door by placing tabs of door into slots on cleaner. Rotate door up and against cleaner until it locks into place.

NOTE: To have the benefit of a sealed True HEPA system, you must use one of the True HEPA cartridge filter systems.

Use **GENUINE EUREKA** replacement True HEPA filter, HF5, or Washable True HEPA filter, Style WHF5.

Models equipped with Filter Pads

Check the filter pad each time the dust cup is emptied. Replace twice a year or as needed.



To remove Filter Pad from filter door

1. Push down on filter door latch and pull door away from cleaner.
2. Lift filter pad up and out of filter door. Dispose of old filter pad.

To replace Filter Pad into filter door

1. Place new filter pad in filter door.
2. Replace filter door by placing tabs of door into slots on cleaner. Rotate door up and against cleaner until it locks into place.

These filter pads are interchangeable.

Filter Pad Replacement Options:

Standard (Good), Part No. 71847

Micron (Better), Style MF2

HEPA (Best), Style HF6

Use **GENUINE EUREKA** replacement filter pads.

Brush Roll

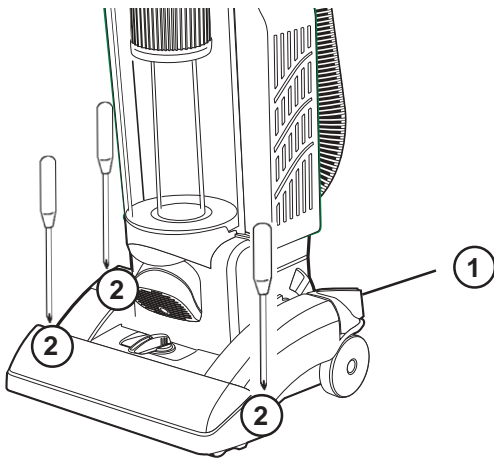
The brush roll turns as it sweeps and combs the carpet nap. Remove hair and threads from the brush roll so it continues brushing the carpet. To maintain the most efficient cleaning, the bristles must touch the carpet. To test the bristle length, hold a ruler against the underneath side of the cleaner. If the bristles no longer touch the ruler, replace the brush roll.

Brush Roll Belt, Style U

The brush roll belt turns the brush roll to agitate, sweep, and comb the carpet nap. Check the belt regularly to be sure it is in good condition. Replace the belt if it stretches, cracks or loses tension. Cut away any hair or threads wound around the brush roll or the belt pulley because the buildup could cause the belt to rotate unevenly.

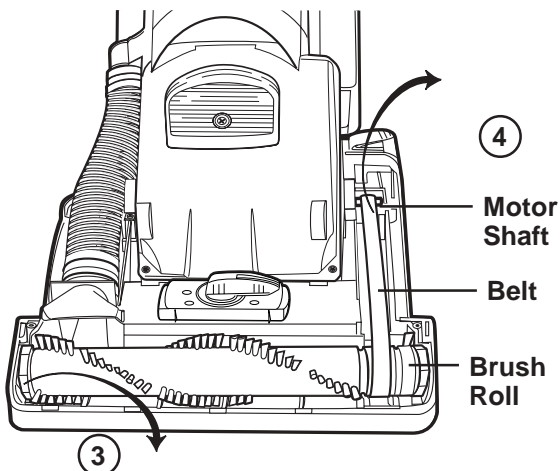
How To Replace Brush Roll Belt

NOTE: Turn off the switch and unplug the electrical cord before replacing belt. Belt pulleys can become hot during normal use. To prevent injury, avoid touching the motor shaft when changing the belt.

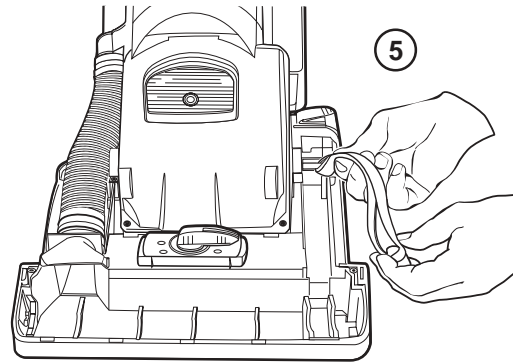


1. Lower handle to floor to change belt.
2. Remove three screws indicated by screwdrivers in above illustration. Lift hood to remove.

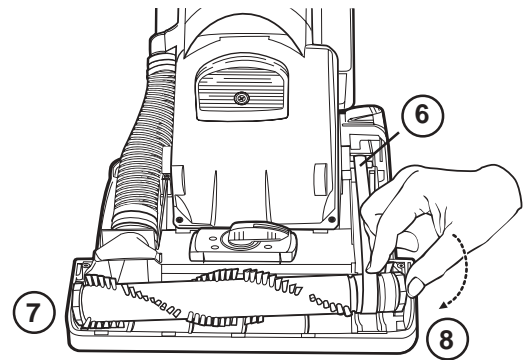
NOTE: The carpet height adjustment has to be in the lowest or highest position to remove or reinstall the hood.



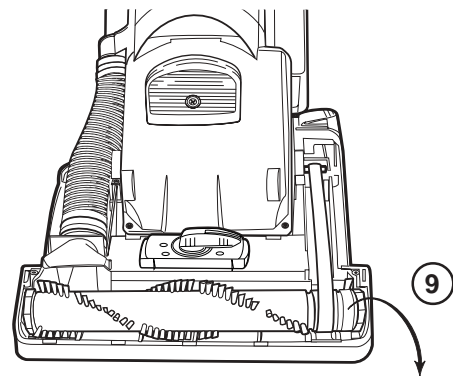
3. Lift left end of brush roll.
4. Remove and discard belt.



5. Place new belt around motor shaft.



6. Place belt around brush roll pulley.
7. Align left end cap with base. Push end cap securely into place.
8. Pull right side of brush roll to stretch belt. Secure right end cap into base.



IMPORTANT

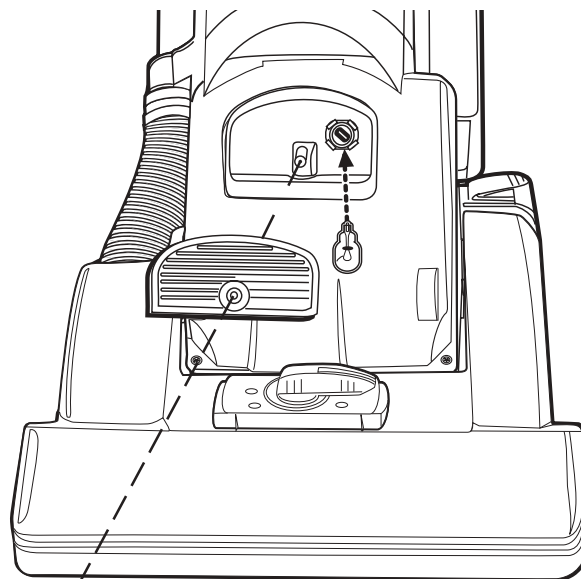
9. Rotate brush roll by hand two full rotations to properly position belt.
10. Place hood back on cleaner. Make sure hood front is behind furniture guard. Replace three screws.
11. Tighten screws.

Use **GENUINE EUREKA** replacement belt, Style U. Look for the **GENUINE EUREKA** product symbol.

How To Change Light Bulb (Only for models with a headlight)

NOTE: Turn off the power switch and disconnect the electrical cord before changing light bulb.

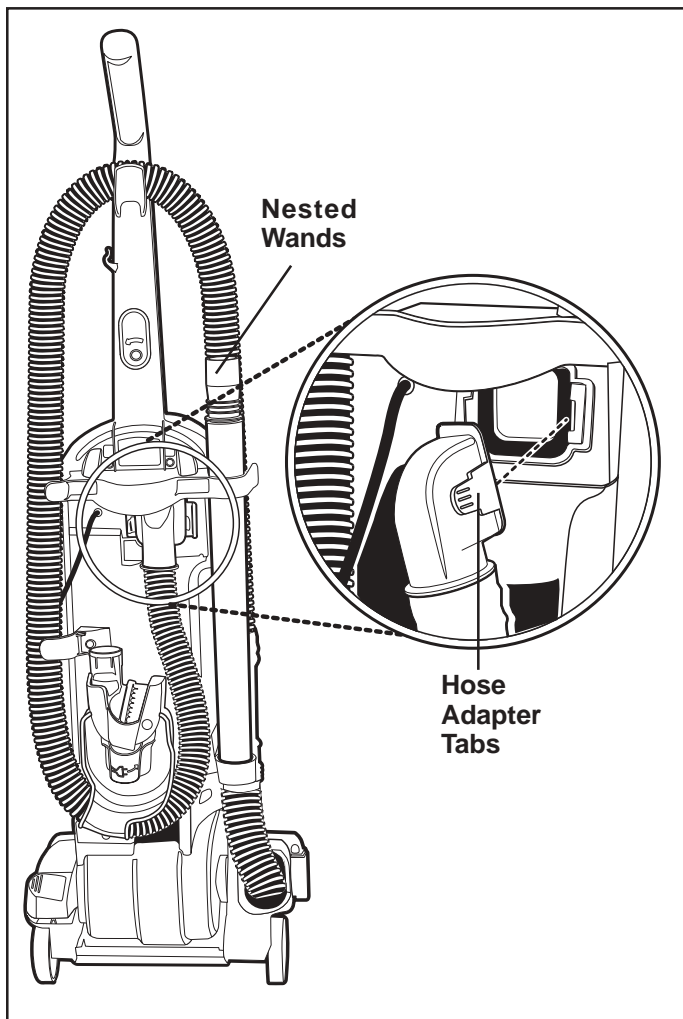
- ① Lower handle. Remove the screw from lens cover.
- ② Pull lens cover from cleaner.
- ③ Pull old light bulb out of socket.
- ④ Push new light bulb into socket.
- ⑤ Replace lens cover.
- ⑥ Secure with screw.



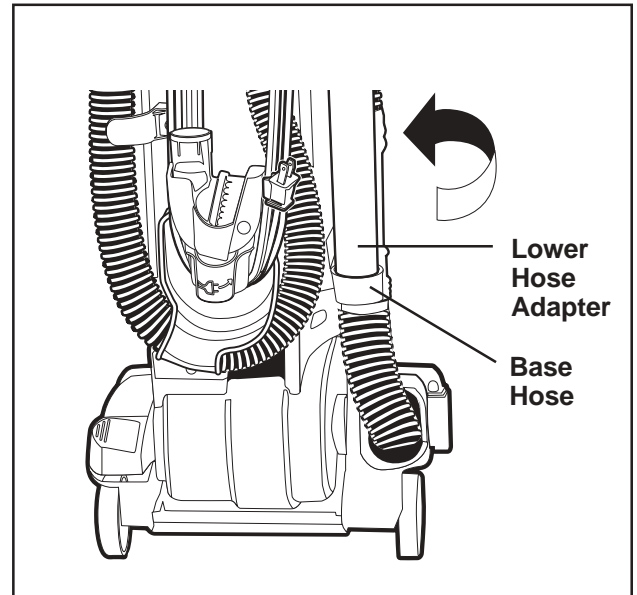
Use **GENUINE EUREKA** replacement light bulb, Part No. 57940-2.

To Clear Blockages in Hose

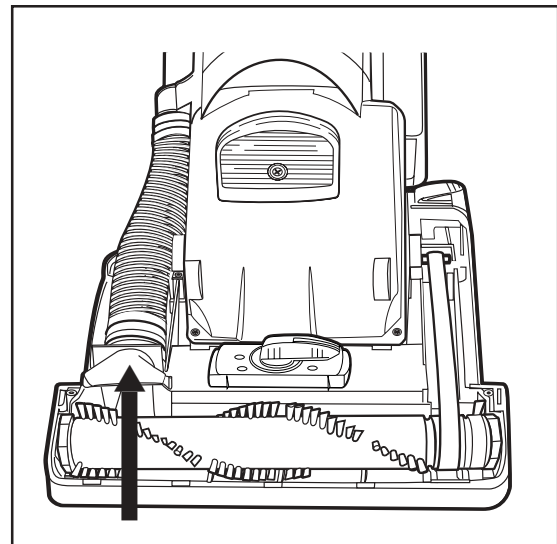
NOTE: Turn off the switch and unplug the electrical cord before clearing hose.



- ① Locate upper hose adapter on the back of the cleaner.
- ② Remove nested wands from back of cleaner for easy access to hose adapter tabs.
- ③ Press hose adapter tabs together and pull hose adapter away from cleaner. The hose adapter will unscrew off hose for easy access to debris if necessary.
- ④ Check for blockages at cleaner opening and in hose. **If no blockage is found, continue to step 5.** If blockage is found, clear and continue to step 11.



- ⑤ Locate lower hose adapter on the back of the cleaner.
- ⑥ Remove lower hose adapter from rear of cleaner by lifting up and twisting.
- ⑦ Check for blockages in the hose and base hose. Flexing the hose may help loosen any blockage. **If no blockage is found, continue to step 8.** If blockage is found, clear and continue to step 11.



- ⑧ Remove hood from cleaner and check for a blockage in the brush roll area. Make sure the hose inlet is clear.
- ⑨ After the blockage is found and cleared, replace the hood on the cleaner.
- ⑩ Place lower hose adapter back into the base hose.
- ⑪ Install the upper hose adapter onto the back of the cleaner, line it up with the cleaner opening and push it against the cleaner until **both** tabs

NOTE: Turn off the switch and unplug the electrical cord before servicing.

| PROBLEM | CAUSE | SOLUTION |
|-------------------------------------|---|---|
| Motor will not start. | <input checked="" type="checkbox"/> Electric Plug | <input type="checkbox"/> Push plug securely into outlet. <input type="checkbox"/> Try another outlet. <input type="checkbox"/> Check circuit breaker. |
| Motor suddenly stops. | <input checked="" type="checkbox"/> Thermal Cut Off | <input type="checkbox"/> Page 6. |
| Does not clean the carpet or floor. | <input checked="" type="checkbox"/> Filters <input checked="" type="checkbox"/> Dust Cup <input checked="" type="checkbox"/> Hose <input checked="" type="checkbox"/> Belt <input checked="" type="checkbox"/> Brush Roll | <input type="checkbox"/> Clean or replace the filters. Hint: If picking up fine dust, the filters may <u>not</u> look dirty but a fine substance tends to reduce suction when it blocks the airflow through the filter(s). <input type="checkbox"/> Be sure the dust cup is properly seated into the cleaner body. Page 10. <input type="checkbox"/> Empty dust cup. Page 10. <input type="checkbox"/> Be sure hose adapter is secure on back of cleaner. Page 15. <input type="checkbox"/> Remove any blockages from the hose that restrict the airflow. Page 15. <input type="checkbox"/> Check base hose and long hose. Page 15. <input type="checkbox"/> Replace a broken, cut, loose or out of shape belt. <input type="checkbox"/> Clean hair and thread from bristles and end cap area. <input type="checkbox"/> Replace brush roll if bristles are worn. |
| No suction at the end of hose. | <input checked="" type="checkbox"/> Hose Adapter <input checked="" type="checkbox"/> Filters <input checked="" type="checkbox"/> Hose <input checked="" type="checkbox"/> Dust Cup | <input type="checkbox"/> Be sure hose adapter is secure. Page 15. <input type="checkbox"/> Clean or replace the filters. Hint: If picking up fine dust, the filters may <u>not</u> look dirty, but a fine substance tends to reduce suction when it blocks the airflow through the filters. <input type="checkbox"/> Remove any clogs from the hose that restrict the airflow. Check base hose and long hose. Page 15. <input type="checkbox"/> Empty dust cup. |
| Headlight not working. | <input checked="" type="checkbox"/> Light Bulb | <input type="checkbox"/> Replace light bulb. Page 14. |
| Noise from the brush roll area. | <input checked="" type="checkbox"/> Brush Roll <input checked="" type="checkbox"/> Belt | <input type="checkbox"/> Remove hood and clean debris or items from the brush roll area. <input type="checkbox"/> Replace a broken, cut, loose or out of shape belt. Page 13. |
| Cleaner is hard to push. | <input checked="" type="checkbox"/> Cleaner Height Setting <input checked="" type="checkbox"/> Belt | <input type="checkbox"/> Put handle in operating position. Tilt the cleaner back to raise the front wheels off floor. Then turn the knob to a higher setting. <input type="checkbox"/> Replace a broken, cut, loose or out of shape belt. Page 13. |
| Cleaner height knob will not turn. | <input checked="" type="checkbox"/> Cleaner Height Setting | <input type="checkbox"/> Hint: Put handle in operating position. Tilt the cleaner back to raise the front wheels off floor. Then turn the knob. |
| Dust cup will not go into cleaner. | <input checked="" type="checkbox"/> Dust Cup Lid Assembled Properly | <input type="checkbox"/> Filter has to be installed in dust cup or dust cup will not go into cleaner. |
| Hood will not come off. | <input checked="" type="checkbox"/> Cleaner Height Setting <input checked="" type="checkbox"/> Screws | <input type="checkbox"/> Hood cannot be removed from cleaner unless the cleaner height setting is in the lowest or highest position. <input type="checkbox"/> All three screws must be removed from the top of the hood. Page 13. |
| Missing parts. | | Call 1-800-438-7352 between 8:00 a.m. and 4:45 p.m., central standard time, Monday through Friday. Know the model and serial numbers when you call. |
| Questions? | | Call 1-800-282-2886 between 7 a.m. to 8:00 p.m., central standard time, Monday through Saturday. Know the model and serial numbers when you call. |

S
O
L
D
T
O

| | | |
|---|-------|-------|
| Name | | |
| Address (street address needed for UPS) | | |
| City | State | Zip |
| Telephone (Day) | (Eve) | (Fax) |

S
H
I
P
T
O

| | | |
|---|-------|-------|
| Name | | |
| Address (street address needed for UPS) | | |
| City | State | Zip |
| Telephone (Day) | (Eve) | (Fax) |

IMPORTANT:
Be sure to include your model, type, and serial numbers. These numbers may be found on the rating plate.

Model Number: _____

Type: _____

Serial Number: _____



To Order
By Phone
1-800-438-7352*

HOURS:
Call between 8 a.m. and 4:45 p.m., central standard time Monday through Friday.

By FAX
1-309-823-5789

To Answer Problems or Questions for U.S.A. and Canada call:

1-800-282-2886*

7 a.m. to 8 p.m. central standard time Monday through Saturday.

*En Mexico llame al **5670-6169**

By Mail



Simply fill out this Order Form. Please be sure to include day and evening phone numbers.

www.eureka.com

| | Part No. | Qty. | Price (USD) | Total |
|--|----------|------|-------------|-------|
| Genuine Eureka Bags, Belts and Filters | | | | |
| Filteraire Disposable Bags (style LS) - package of 3 | 61820 | | 5.99 | |
| Belts (style U) - Extended Life - package of 2 | 61120A | | 2.99 | |
| Belts (style U) - package of 2 | 54312B | | 2.49 | |
| HEPA Filter Cartridge (style HF5) | 61830 | | 19.99 | |
| Washable HEPA Filter Cartridge (style WHF5) | 61840 | | 39.99 | |
| HEPA Filter Insert (style HF6) - package of 2 | 61835 | | 7.99 | |
| Washable Dust Cup Filter (style DCF3) | 61825 | | 14.99 | |
| Pre-Motor Filter | 71480 | | .99 | |
| Accessories/Tools | | | | |
| Nestled Wands (straight and crevice wands) | 71492 | | 5.99 | |
| Combination Brush | 60990-2 | | 4.69 | |
| Mini Turbo | 61775 | | 29.99 | |
| Hoses | | | | |
| Hose Assembly - black | 61865-1 | | 15.99 | |
| Deluxe Hose Assembly - clear (3:1 stretch) | 61868-1 | | 28.99 | |
| Brush Rolls | | | | |
| Wood - 15 inch | 61869-1 | | 14.99 | |
| Wood - 13 inch | 61861-1 | | 12.99 | |
| Miscellaneous Parts | | | | |
| Light Bulb | 57940-2 | | 1.09 | |
| Dust Cup | 61864-1 | | 16.99 | |

Method of payment (no C.O.D. orders)

Check or money order (payable to The Eureka Company). Do not send currency.

Charge to my **Visa** (13/15 digits) **MasterCard** (13 digits) **Amer. Express** (15 digits)

| | |
|--------------|-----------------|
| Acct. number | Expiration Date |
|--------------|-----------------|

Signature (full name as shown on acct.) _____

| | |
|---|---------------|
| Total (prices subject to change without notice) | |
| Tax (add state tax & local taxes as required by law) | |
| Postage & Handling Charge (within U.S.A.) | \$5.50 |
| TOTAL | |
| TOTAL ENCLOSED | |

THE EUREKA LIMITED WARRANTY

What This Warranty Covers

Your Eureka cleaner is warranted to be free from all defects in material and workmanship in normal household use for a period of one year. The warranty is granted only to the original purchaser and members of his or her immediate household. The warranty is subject to the following provisions.

What This Warranty Does Not Cover

- Parts of the cleaner that require replacement under normal use, such as disposable dust bags, filters, drive belts, light bulbs, and brush roll bristles
- Damages or malfunctions caused by negligence, abuse, or use not in accordance with the Owner's Guide.
- Defects or damages caused by unauthorized service or the use of other than Genuine Eureka parts.

What The Eureka Company Will Do

The Eureka Company will, at its option, repair or replace a defective cleaner or cleaner part that is covered by this warranty. As a matter of warranty policy, the Eureka Company will not refund the consumer's purchase price.

Warranty Registration

Please fill out and return the warranty registration card accompanying your cleaner.

Obtaining Warranty Service

To obtain warranty service you must return the defective cleaner or cleaner part along with proof of purchase to any Eureka Authorized Warranty Station. You will find the nearest location in the Yellow Pages, under "Vacuum Cleaners—Service and Repair." Be certain that the Warranty Station is "Eureka Authorized." For the location of the nearest Eureka Authorized Warranty Station or for service information, telephone toll free:

USA: 1-800-282-2886
Mexico: 5670-6169
Canada: 1-800-282-2886

If you prefer, you can write to The Eureka Company, Service Division, 807 North Main Street, Bloomington, Illinois 61701, USA. In Canada write to The Eureka Company, 866 Langs Drive, Cambridge, Ontario N3H 2N7.

If it is necessary to ship the cleaner outside your community to obtain warranty repair, you must pay the shipping charges to the Eureka Authorized Warranty Station. Return shipping charges will be paid by the Warranty Station. When returning parts for repair, please include the model, type, and serial number from the data plate on the cleaner.

Further Limitations and Exclusions

Any warranty that may be implied in connection with your purchase or use of the cleaner, including any warranty of Merchantability or any warranty for Fitness For A Particular Purpose is limited to the duration of this warranty. Some states do not allow limitations on how long an implied warranty lasts, so the above limitations may not apply to you.

Your relief for the breach of this warranty is limited to the relief expressly provided above. In no event shall Eureka be liable for any consequential or incidental damages you may incur in connection with your purchase or use of the cleaner. Some states do not allow the exclusion or limitation of incidental or consequential damages, so the above limitation or exclusion may not apply to you.

This warranty gives you specific legal rights. You may also have other rights which vary by state.



Questions & Answers about Genuine Eureka Products

Q: Why should I use only Genuine Eureka paper bags, belts, and parts in my Eureka vacuum cleaner?

A: Using Genuine Eureka Products, which are made to our exacting specifications and engineered with emphasis on quality, performance, and customer satisfaction, ensures the long life and cleaning efficiency of your vacuum cleaner. Overall, this saves you money and helps to keep your home clean.

Q: How can I be sure I am using only genuine Eureka products in my vacuum cleaner?

A: Typically, packaged products and paper bags can be identified by a "Genuine Eureka Product" symbol (see illustration above). For further identification assistance, you may call our toll-free number, 1-800-282-2886, for the location of a nearby Eureka Authorized Warranty Station.

Q: Are there any differences between "made to fit" or "imitation" and Genuine Eureka paper bags, belts, and parts?

A: Yes, there are some very important differences in materials, quality, and reliability. Many customers have mistakenly purchased "imitation" paper bags and parts while thinking they purchased genuine. Unfortunately, many of these customers discovered the differences after they experienced related difficulties.

For Genuine Eureka Value, Accept No Imitations!

THE EUREKA COMPANY

Bloomington, Illinois 61701

Questions? Do Not Return To Store Call 1-800-282-2886

7 a.m. to 8 p.m., Central Standard Time, Monday through Saturday

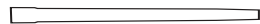
Accessory Items in This Carton



1 Dusting/Upholstery Brush



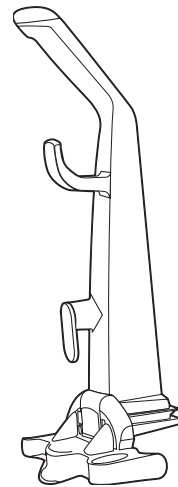
1 extra belt



1 wand, 1 crevice wand



1 hardware package
(2 screws)



1 vacuum cleaner
handle

Thank you for selecting a Eureka cleaner.

Don't Forget to Use Genuine Eureka Belts

Caution: Damages caused by the use of non-genuine Eureka parts are not covered by the Eureka Limited Warranty.