

GUARDIAN[®]

Guardian[®] Automatic Overbed Table User Instructions

Model IC-6417

⚠ WARNING

POSSIBLE DAMAGE OR INJURY. Be alert of hi/lo adjustment of overbed table when raising bed.

ASSEMBLY INSTRUCTIONS (FIGURE 1)

1. Place the top board upside down (holes facing up) on the floor. Align table post with the six pre-drilled holes. Insert and tighten 6 screws to connect post to top board.
2. Attach the base to the table post using the bolts and washers, and insert as illustrated.
3. Slide the casters into the base until they lock into place.
4. Set overbed table upright by placing the casters on the floor.

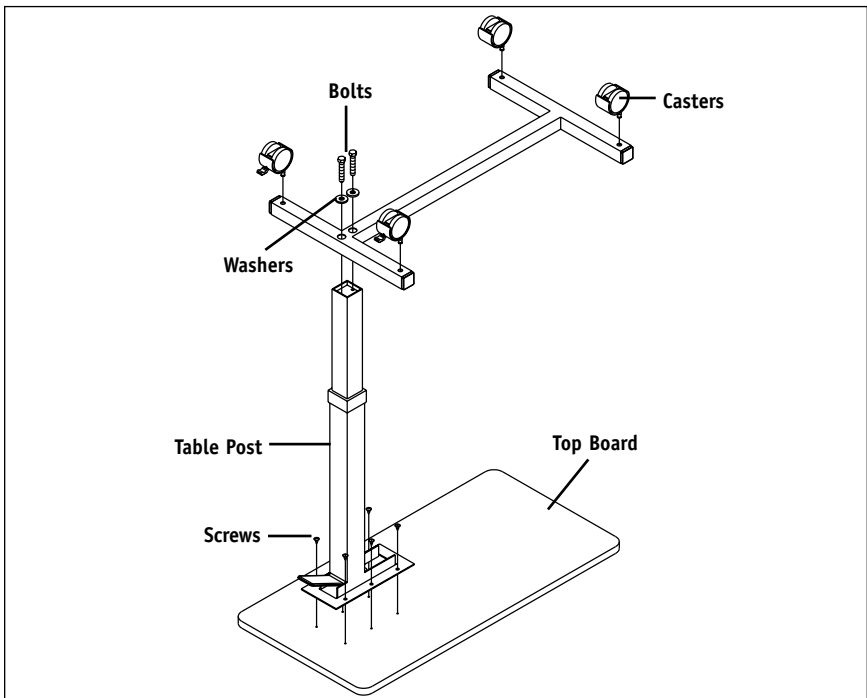


Figure 1

OPERATING INSTRUCTIONS (FIGURE 2)

1. Remove the screw parts located on the table post to adjust the height of the table.
2. To raise the overbed table, apply light pressure underneath the top of the table.
3. To lower, squeeze adjustable plate upwards while pushing the top of the table downward to desired height.

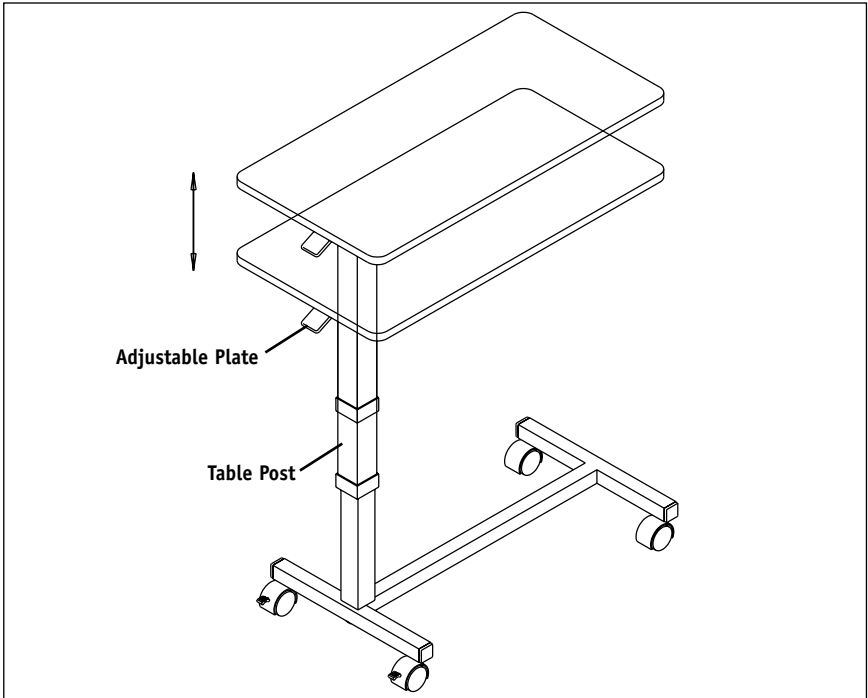


Figure 2



Manufactured for:
Sunrise Medical, Inc.
7477 East Dry Creek Parkway
Longmont, Colorado 80503

www.sunrisemedical.com
Phone: (303) 218-4500
Toll Free Phone: (800) 333-4000
In Canada: (800) 263-3390