

SUBMITTAL SHEET



AIRCONDITIONING PRODUCTS

SYSTEM INDOOR/OUTDOOR

36XS32A XS3632/C3632A

CEILING RECESSED (4-WAY) AIR CONDITIONER

SS36XS32A-2

GENERAL DATA (AT 230V)	
POWER V/PH/HZ	230/208/1/60
Circuit Ampacity, Min. (A)	35
Fuse size, Max. (A)	35
COMPRESSOR	
	Rotary-Hermetic
No. used	1
R.L. Amps - L.R. Amps (A)	12.7 - 95
Crankcase Heater	-
OUTDOOR FAN - TYPE	
	Propeller
Dia. (in.) - No. used	18-3/32 - 2
Type Drive - No. speeds	Direct - 2 (AUTO)
No. Poles - RPM (High)	6 - 879
No. Motors - HP	2 - 110
CAM (High)	3,670
F.L. Amps. (A)	1.8
OUTDOOR COIL - TYPE	
	Aluminum Fin & Copper Pipe
Fin Type - Pipe Type	Slit Plate - Inner Riffled
Rows - F.P.I.	2 - 12.7
Face Area (sq.ft.)	11.63
Tube Size (in.)	3/8
INDOOR FAN - TYPE	
	Turbo
Dia. & Length (in.) - No. used	19-9/32 - 1
No. speeds	3 & Auto
No. Poles -RPM (High)	6 - 560
No. Motors - HP	1- 50
CFM (HI/MED/LOW)	980/830/650
F.L. Amps (A)	0.9
INDOOR COIL - TYPE	
	Aluminum Fin & Copper Pipe
Fin Type - Pipe type	Slit Plate - riffled
Rows - F.P.I.	2 - 14.9
Face Area (sq. ft.)	5.17
Tube Size (in.)	3/8
Drain Connection Size (in.)	1-1/4
REFRIGERANT	
	R22
Lbs. - R22 (O.D. Unit)	9.48
Control	Capillary Tube
Connection	Flare
Line Length, Max (ft.)	165
Lift difference, Max (ft.)	100
Line Size - in. O.D. Discharge	3/8
Line Size - in. O.D. Suction	3/4
DIMENSIONS (in.)	
	H x W x D
Indoor Unit -Uncrated	14-3/32 x 45-9/32 x 33-27/32
-Crated	12-7/16 x 43-27/32 x 32-25/32(Indoor unit)
	4-3/32 x 49-1/2 x 39-11/32(Indoor Grille)
Outdoor unit -Uncrated	48-5/8 x 37 x 13-3/8
-Crated	52 -7/32 x 40 x 16-12/32
WEIGHT	
	INDOOR OUTDOOR
Net (lbs.)	75.0 198.0
Shipping (lbs.)	71.0/29.0(Grille) 223.0
Shipping Volume(cu.ft.)	
	10.4/4.6 (Grille) 19.8

PERFORMANCE DATA @ ARI STANDARD CONDITIONS (230/208V)

COOLING		
Total Capacity (BTU/H)		36,000/35,000
Sensible Capacity (BTU/H)		22,940/22,300
Latent Capacity (BTU/H)		13,060/12,700
SEER		10.8/11.0
Dehumidification (Pints/H)		11.9/11.9
Amps (A)		15.4/16.0
Power Inputs (W)		3,440/3,250
Outdoor Sound Rating (bels)		7.9

FEATURE

Controls	Microprocessor
Remote Controller	LCD Wireless type
Temperature Control	IC Thermostat
Timer	ON/OFF, 24 hours
Night Setback	Built-In
Air Louver (Horizontal)	-
(Vertical)	Automatic
Power Failure Automatic Restart	Built-In
Self Diagnosis	N/A

OPTION

Refrigerant Line Set	AP3210BH (30 ft)
	AP3215BH (50 ft)
Low Ambient Control	Available
Fresh Air Intake	-
Central Remote ON-OFF Control	Available
Air duct Extension	Available
Indoor Frame Extension	N/A
Condensate Drain Pump	RCS5PS4B
Non-Removable Remo-con Bracket	RCS-102WD/RCS-302WD

OPERATING RANGE

Cooling	Indoor Air Intake Temp.	Outdoor Air Intake Temp.
Maximum	95 F DB/71 F WB	115 F DB
Minimum	67 F DB/57 F WB	67 F DB

CERTIFICATION



36XS32A

SUBMITTAL SHEET



AIRCONDITIONING PRODUCTS

SYSTEM

INDOOR/OUTDOOR

36XLS32A

XS3632/CL3632A

CEILING RECESSED (4-WAY) LOW AMBIENT AIR CONDITIONER

SS36XLS32A-2

GENERAL DATA(AT 230V)

POWER V/PH/HZ	230/208/1/60
Circuit Ampacity, Min. (A)	35
Fuse size, Max. (A)	35

COMPRESSOR	Rotary-Hermetic
No. used	1
R.L. Amps - L.R. Amps (A)	12.7 -95
Crankcase Heater	-

OUTDOOR FAN - TYPE	Propeller
Dia. (in.) - No. used	18-3/32 - 2
Type Drive - No. speeds	Direct - 2 (AUTO)
No. Poles - RPM (High)	6 - 879
No. Motors - HP	2 - 110
CAM (High)	3,670
F.L. Amps. (A)	1.8

OUTDOOR COIL - TYPE	Aluminum Fin & Copper Pipe
Fin Type - Pipe Type	Slit Plate - Inner Riffled
Rows - F.P.I.	2 - 12.7
Face Area (sq.ft.)	11.63
Tube Size (in.)	3/8

INDOOR FAN - TYPE	Turbo
Dia. & Length (in.) - No. used	19-9/32 -1
No. speeds	3 & Auto
No. Poles -RPM (High)	6 - 560
No. Motors - HP	1- 50
CFM (HI/MED/LOW)	980/830/650
F.L. Amps (A)	0.9

INDOOR COIL - TYPE	Aluminum Fin & Copper Pipe
Fin Type - Pipe type	Slit Plate - riffled
Rows - F.P.I.	2 - 14.9
Face Area (sq. ft.)	5.17
Tube Size (in.)	3/8
Drain Connection Size (in.)	1-1/4

REFRIGERANT	R22
Lbs. - R22 (O.D. Unit)	9.48
Control	Capillary Tube
Connection	Flare
Line Length, Max (ft.)	165
Lift difference, Max (ft.)	100
Line Size - in. O.D. Discharge	3/8
Line Size - in. O.D. Suction	3/4

DIMENSIONS (in.)	H	x	W	x	D
Indoor Unit -Uncrated	14-3/32	x	45-9/32	x	33-27/32
-Crated	12-7/16	x	43- 27/32	x	32-25/32(Indoor unit)
	4-3/32	x	49-1/2	x	39-11/32(Indoor Grille)
Outdoor Unit -Uncrated	48-5/8	x	37	x	13-3/8
-Crated	52 -7/32	x	40	x	16-12/32

WEIGHT	INDOOR	OUTDOOR
Net (lbs.)	75.0	198.0
Shipping(lbs.)	71.0/29.0(Grille)	223.0

Shipping Volume (cu.ft.)	10.4/4.6(Grille)	19.8
--------------------------	------------------	------

PERFORMANCE DATA @ ARI STANDARD CONDITIONS (230/208V)

COOLING		
Total Capacity	(BTU/H)	36,000/35,000
Sensible Capacity	(BTU/H)	22,940/22,300
Latent Capacity	(BTU/H)	13,060/12,700
SEER		10.8/11.0
Dehumidification	(Pints/H)	11.9/11.9
Amps	(A)	15.4/16.0
Power Inputs	(W)	3,440/3,250
Outdoor Sound Rating	(bels)	7.9

FEATURE

Controls	Microprocessor
Remote Controller	LCD Wireless type
Temperature Control	IC Thermostat
Timer	ON/OFF, 24 hours
Night Setback	Built-In
Air Louver (Horizontal)	-
(Vertical)	Automatic
Power Failure Automatic Restart	Built-In
Self Diagnosis	N/A

OPTION

Refrigerant Line Set	AP3210BH (30 ft) AP3215BH (50 ft)
Low Ambient Control	Equipped
Fresh Air Intake	-
Central Remote ON-OFF Control	Available
Airduct Extension	Available
Indoor Frame Extension	N/A
Condensate Drain Pump	RCS5PS4B
Non-Removable Remo-con Bracket	RCS-102WD/RCS-302WD

OPERATING RANGE

Cooling	Indoor Air	Outdoor Air
	<u>Intake Temp.</u>	<u>Intake Temp.</u>
Maximum	95 F DB/71 F WB	115 F DB
Minimum	67 F DB/57 F WB	0 F DB

CERTIFICATION

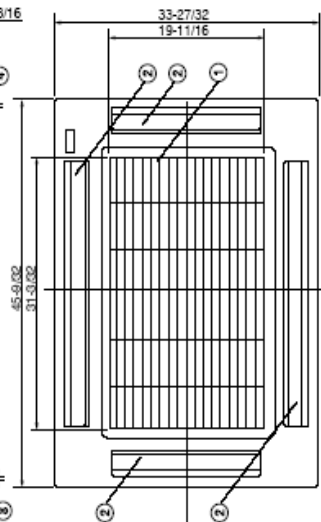
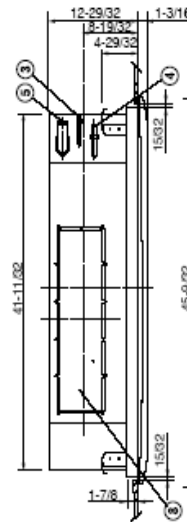
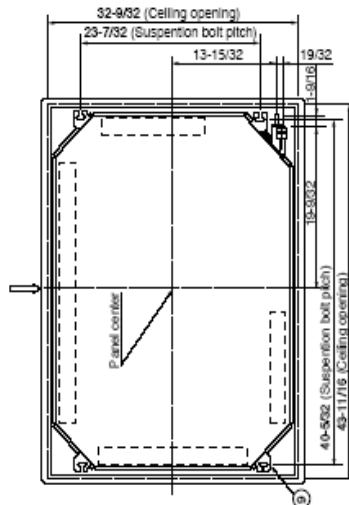
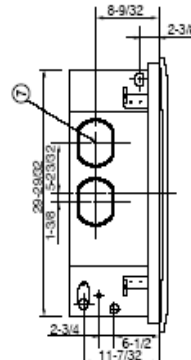
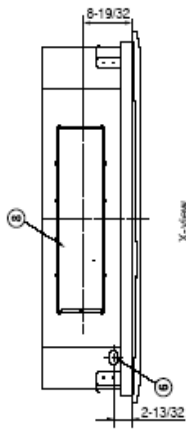
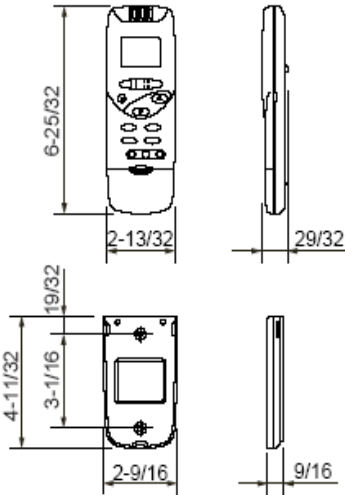


36XLS32A

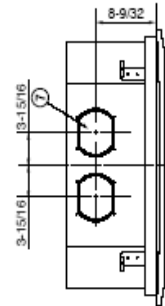
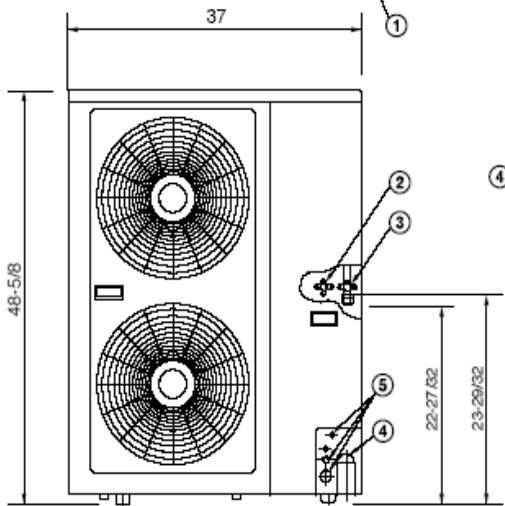
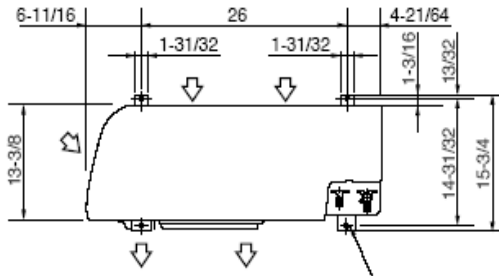
Dimensional Data

Indoor Unit: XS3632

Remote Control Unit



Outdoor Unit: C3632A, CL3632A



Dimension : inch

- ① Air intake grille
- ② Air outlet
- ③ Refrigerant liquid line (ø3/8")
- ④ Refrigerant gas line (ø3/4")
- ⑤ Drain connection
- ⑥ Power supply entry
- ⑦ For discharge duct
- ⑧ Humidifier (option) mounting hole
- ⑨ Suspension bolt mounting

Dimension : inch

- ① Hole for anchor bolt (4-ø13)
- ② Refrigerant tube joint (narrow tube)
Flare connection 3/8 in (9.52 mm)
- ③ Refrigerant tube joint (wide tube)
Flare connection 3/4 in (19.05 mm)
- ④ Refrigerant tubing inlet
- ⑤ Power supply inlet

1581_C_5

WARRANTY

SANYO products are warranted against defects in materials and workmanship for the period below;

	LABOR	PARTS
Compressor	30 Days	5 Years
Other Components	N/A	1 Year

Because of a policy of continuous product improvements, SANYO reserves the right to change specifications and design without notice.

Full specific warranty rights, conditions, exclusions and obligations are specified in the warranty packed with each products.

SANYO FISHER COMPANY

A Division of SANYO North America Corporation
 21605 Plummer St. Chatsworth, CA 91311
 Phone : (818) 998-7322
 Fax : (818) 701-4160
 Website: <http://www.sanyohvac.com>