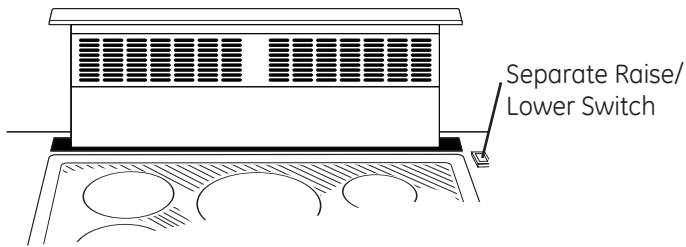


ZVB36SN/BN

GE Monogram® 36" Telescopic Downdraft Vents

Dimensions and Installation Information (in inches)



All 36" models are equipped with a separate raise/lower switch. The switch must be installed in a separate location outside of the vent and cooktop cutout.

Countertop Requirements

Countertops must have a deep flat surface to accommodate the cooktop and the vent. Countertops with a rolled edge and backsplash may not provide the flat surface area required.

Base Cabinet Requirements

The base cabinet must be deep enough to accommodate the minimum clearance to the front edge of the countertop, the cooktop burner box and the vent.

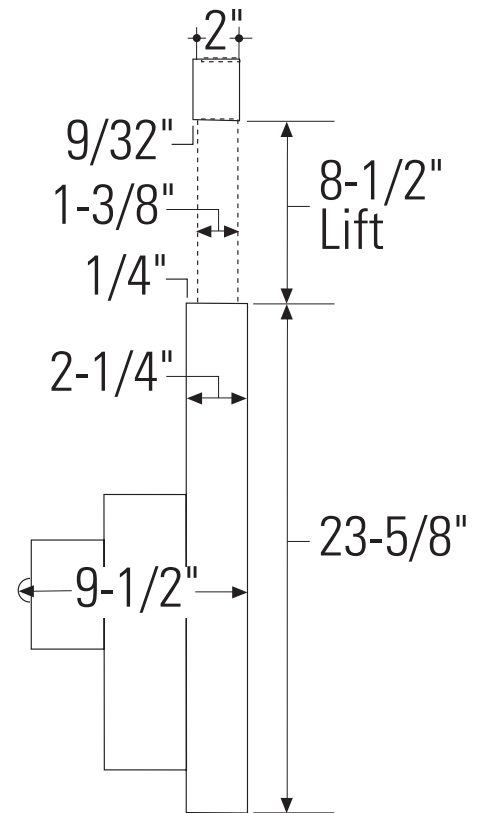
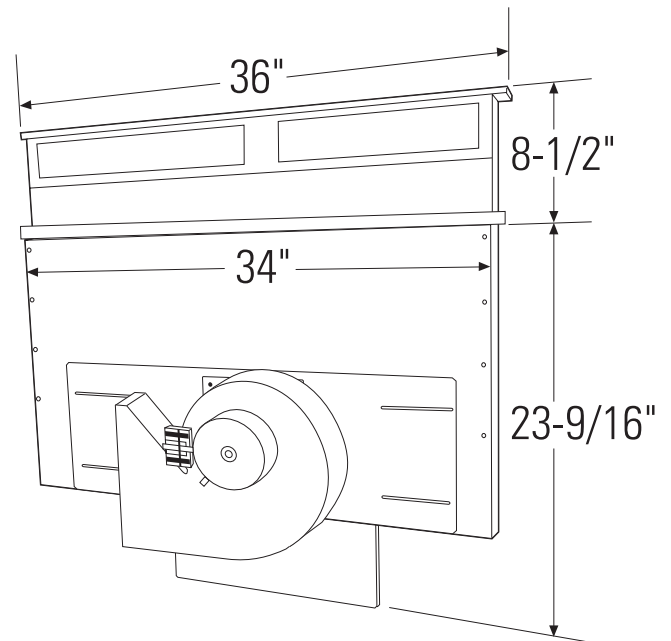
Downdraft Vent and Cooktop Cutout

The installation of these downdraft vents with any Monogram cooktop requires careful consideration. For accurate planning, review the individual dimension drawings for the combined vent and Monogram cooktop installation.

Before you begin you must:

1. Review countertop dimension illustrations to be sure you will have enough flat countertop surface depth.
2. Check to be sure that the total countertop depth required (including minimum cutout to front edge depth) allows enough space for a backsplash.
3. Review the cabinet illustration. Check to be sure that the interior cabinet depth will house the cooktop burner box, the vent and the cutout clearance from the front.
4. When countertop and cabinet depth present a problem, review Creative Solutions.
5. Carefully review the installation instructions packed with product or available online at www.monogram.com.

With careful planning you can achieve a custom look with minimal adjustments.



For answers to your Monogram,® GE Profile™ or GE® appliance questions, visit our website at ge.com or call GE Answer Center® service, 800.626.2000.



imagination at work



Listed by
Underwriters
Laboratories

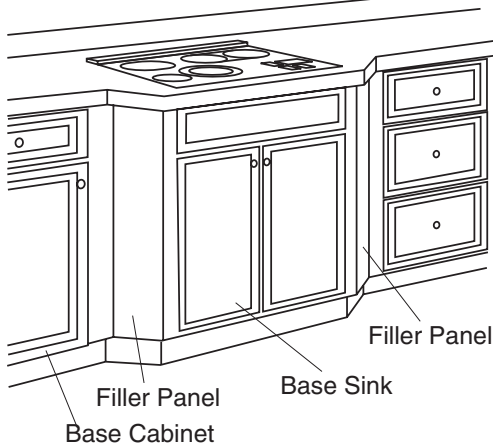
ZVB36SN/BN

GE Monogram® 36" Telescopic Downdraft Vents

Dimensions and Installation Information (in inches)

Creative Solutions

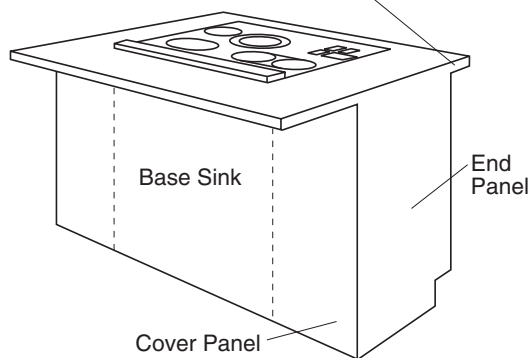
Maintain Cutout Clearances
to Front Edge as Specified



Against-the-wall installation

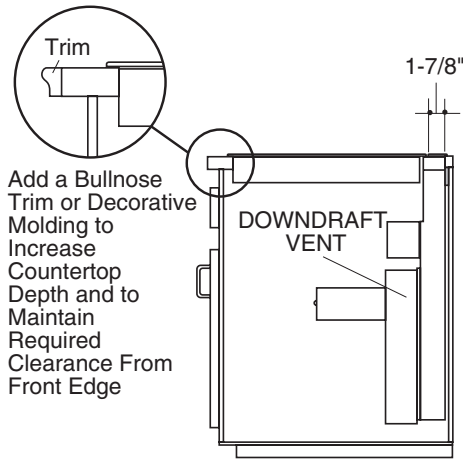
Move the base cabinet forward, 3" to 5". Filler panels or complimentary moldings can be added to the exposed cabinet sides.

Countertop Overhang per Cooktop
Clearances Must be Maintained



Island or peninsula installation

Use an extra-deep countertop. The countertop overhang at the front can be adjusted to meet setback to cutout requirements.



Decorative trim

When the cutout to front edge of the countertop requirement is more than 2", add a bullnose trim to the front edge of the countertop. The additional trim allows the cooktop to be moved forward, providing additional countertop depth and interior cabinet space.

Optional Accessories

JXRB67 Accessory for indoor remote location of the blower/motor assembly. Use this kit when the blower and motor assembly will be located outside of the cabinet, such as below the cabinet floor. The assembly will fit between 16" floor joists.

JXBC67 Outdoor cover accessory for remote installation of the blower/motor assembly on an outside wall.

Ductwork

Prepare the ductwork to vent to the outdoors.

- Plan the shortest and straightest route for venting exhaust to the outdoors.
- The maximum permissible length for the duct run is 150 feet.
- Use metal ductwork only.
- The downdraft blower system is designed to use 3-1/4" x 10" duct. It can be transitioned to 6" round.
- Install a wall cap or roof cap with damper at the exterior opening. Order the wall cap and any transition needed in advance.

For answers to your Monogram®, GE Profile™ or GE® appliance questions, visit our website at ge.com or call GE Answer Center® service, 800.626.2000.



imagination at work



Listed by
Underwriters
Laboratories

ZVB36SN/BN

GE Monogram® 36" Telescopic Downdraft Vents

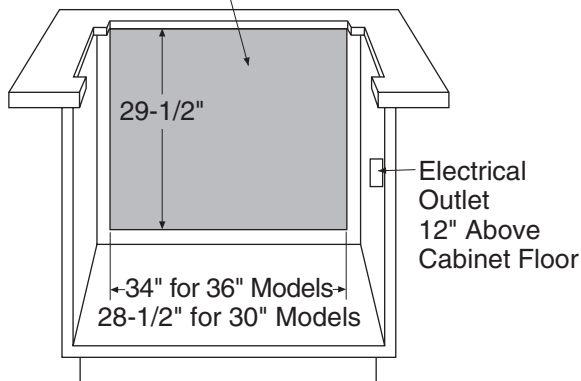
Dimensions and Installation Information (in inches)

Electrical and Gas Locations

Plan the placement of the electrical outlet and gas (if used) carefully. Gas or electrical outlets cannot be located on the back wall of the cabinet because they may interfere with the downdraft plenum.

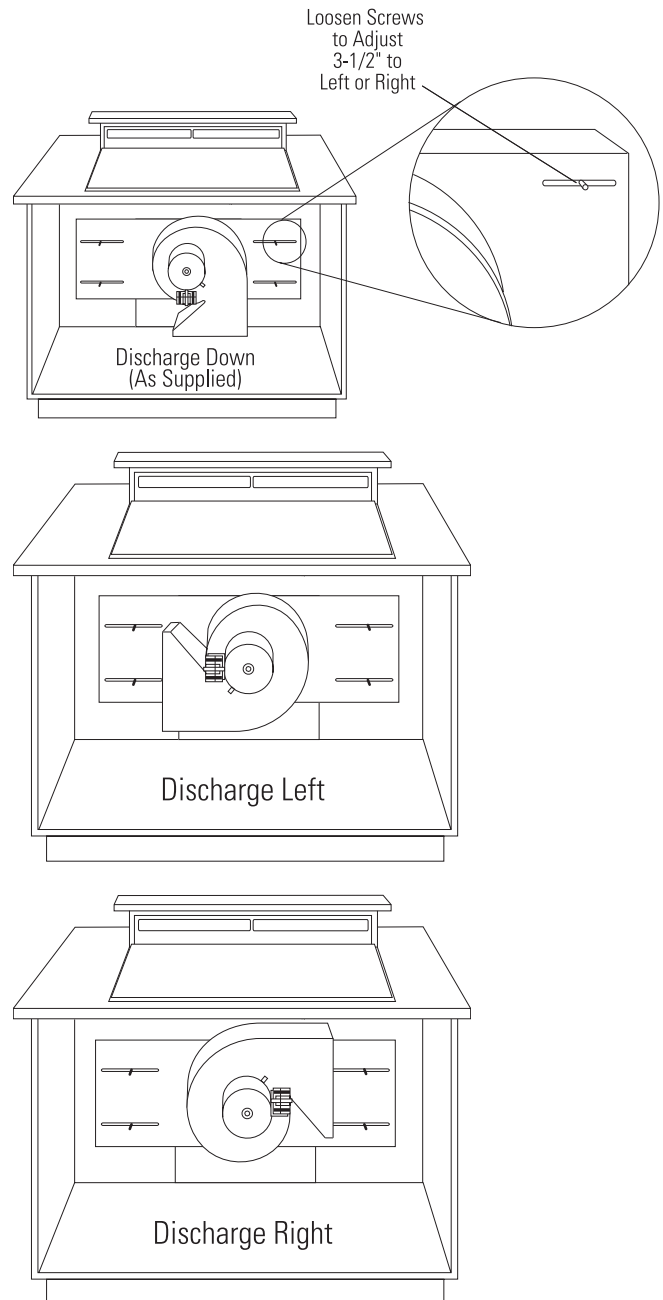
- Install a standard electrical outlet within reach of the vent's two-foot-long power cord. Locate the outlet inside the cabinet on the right side wall.
- If the vent is installed in combination with a Monogram® gas cooktop, it may operate from the same 120V standard duplex outlet.
- If the vent is installed in combination with a Monogram electric cooktop, the vent must operate from a separate 120V outlet.

Do Not Locate Gas or Electrical Connections Within Shaded Area



Venting Options

The downdraft vent is shipped with the discharge outlet pointing straight down and can be changed to a left- or right-side discharge. For even more flexibility, the entire blower and mounting plate can be adjusted 3-1/2" to the left or right sides.



For answers to your Monogram®, GE Profile™ or GE® appliance questions, visit our website at ge.com or call GE Answer Center® service, 800.626.2000.

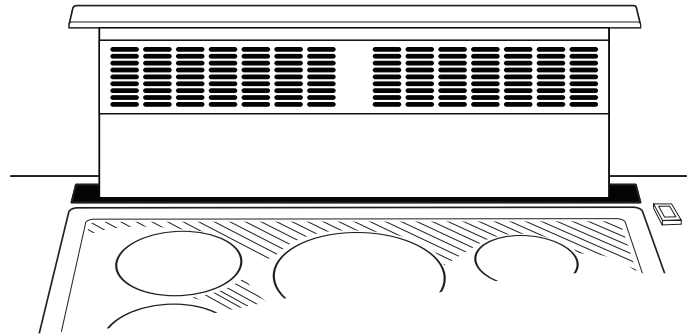


ZVB36SN/BN

GE Monogram® 36" Telescopic Downdraft Vents

Features and Benefits

- Raises To 8-1/2" Over Cooktop Surface When You Cook, Then Retracts When Not in Use
- 500-CFM Performance Helps Keep Your Kitchen Free of Fumes and Excess Heat
- Remote-Mounted Control Provides Design Flexibility
- Variable-Speed Blower with Electronic Controls Complements Most Monogram Cooktops
- Removable Grease Filters Trap Airborne Grease Particles
- Optional Remote Blower Capabilities
- Stainless Steel Vent Body Offers a Smooth and Polished Appearance
- Model ZVB36SNSS - Stainless steel (shown)
- Model ZVB36BNBB - Black on black



For answers to your Monogram,® GE Profile™ or GE® appliance questions, visit our website at ge.com or call GE Answer Center® service, 800.626.2000.



imagination at work