

# Sunbeam®

*Instruction Manual* **Steam Master® Irons**

*Manual de Instrucciones* **Planchas Steam Master®**

MODELS/ 4211, 4212, 4213, 4214,  
MODELOS 4215, 4216, 4219, 4220



[www.sunbeam.com](http://www.sunbeam.com)

P.N. 113165-004

# IMPORTANT SAFEGUARDS

When using electrical appliances, basic safety precautions should always be followed including the following:

## READ ALL INSTRUCTIONS BEFORE USE

- Use iron only for its intended use.
- To protect against risk of electric shock, do not immerse the iron in water or other liquids.
- The fabric select dial and steam lever should always be turned to “O/Off” before plugging or unplugging from outlet. Never yank cord to disconnect from outlet; instead, grasp plug and pull to disconnect.
- Do not allow cord to touch hot surfaces. Let iron cool completely before putting away. Loop cord loosely around iron when storing.
- Always disconnect iron from electrical outlet when filling with water or emptying and when not in use.
- Do not operate iron with a damaged cord or if the iron has been dropped or damaged. To avoid the risk of electric shock, do not disassemble the iron. Take it to an authorized service center for examination and/or repair. Incorrect reassembly can cause a risk of electric shock when the iron is used.
- Close supervision is necessary for any appliance being used by or near children. Do not leave iron unattended while plugged in or turned on or on an ironing board.
- Burns can occur from touching hot metal parts, hot water or steam. Use caution when you turn a steam iron upside down – there may be hot water in the reservoir.
- If the iron is not operating normally, disconnect from the power supply and have the iron serviced by an authorized service center. Or call Customer Service at 800-458-8407.
- Your SUNBEAM® iron is designed to rest on the heel rest. Do not leave the iron unattended. Do not set the iron on an unprotected surface, even if it is on its heel rest.

## SPECIAL INSTRUCTIONS

- This is a 1200-Watt appliance. To avoid a circuit overload, do not operate another high wattage appliance on the same circuit.
- If an extension cord is absolutely necessary, a 15-ampere cord should be used. Cords rated for less amperage may overheat. Care should be taken to arrange the extension cord so that it cannot be pulled or tripped over.

## FOR PRODUCTS PURCHASED IN THE UNITED STATES AND CANADA

To reduce the risk of electrical shock, this appliance has a polarized plug (one blade is wider than the other). This plug fits a polarized outlet only one way; if the plug does not fit fully into the outlet, reverse the plug. If it still does not fit, contact a qualified electrician. Do not attempt to defeat this safety feature.

# SAVE THESE INSTRUCTIONS

# IRONING GUIDE

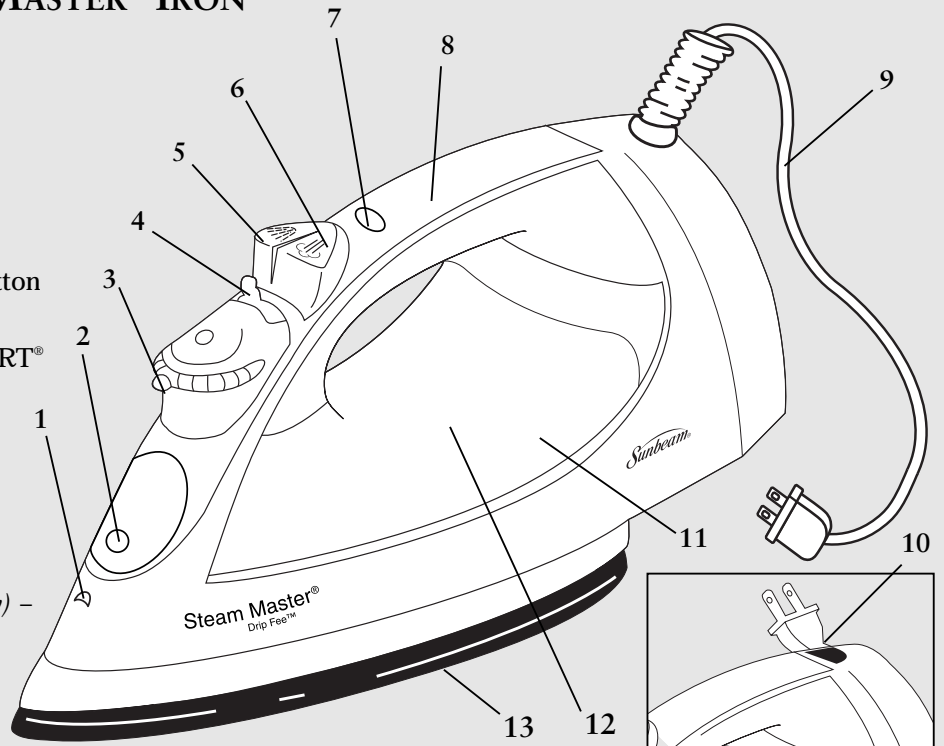
FABRIC	SUGGESTED STEAM SETTING	FABRIC SELECT DIAL SETTING	IRONING RECOMMENDATIONS
Acrylic	○/Off (Dry)	Synthetic	Iron garment inside out
Acetate	○/Off (Dry)	Synthetic	Iron garment inside out while still damp.
Polyester	○/Off (Dry)	Synthetic	Iron garment inside out while still damp.
Rayon	○/Off (Dry)	Synthetic	Iron garment inside out.
Silk	○/Off (Dry)	Silk	Iron garment inside out. Use an ironing cloth* to prevent shine marks.
Viscose	○/Off (Dry)	Silk	Mainly dry iron; steam may be used under garment manufacturer's instructions.
Nylon	○/Off (Dry)	Silk	Iron garment inside out while still damp.
Wool	Steam	Wool	Iron garment inside out or use an ironing cloth.*
Wool Blends	Steam	Wool	Iron garment inside out or use an ironing cloth.*
Cotton Blends	Steam	Cotton	Follow garment manufacturer's instructions. Use setting for the fiber requiring the lowest setting.
Corduroy	Steam	Cotton	Iron garment inside out or use an ironing cloth* and then brush the garment with your hand to raise the texture of the fabric.
Cotton	Steam	Cotton	Iron dark fabrics inside out to prevent shine marks.
Linen	Steam	Linen	Iron garment inside out or use an ironing cloth* to prevent shine marks ( <i>especially on dark fabrics</i> ).
Denim	Steam	Linen	Use the SPRAY MIST® feature and/or the SHOT OF STEAM® for deeper penetration to remove wrinkles.

\*An ironing cloth is a cotton, dry-cleaned cloth that you place over the garment you are ironing to prevent the fabric from looking shiny.

Note: Some fabrics may require more steam than others. Your iron has the capability to adjust steam as needed.

## FEATURES OF YOUR STEAM MASTER® IRON

1. SPRAY MIST® Release
2. Covered Water Fill Hole
3. Fabric Select Dial
4. Steam / Self-Clean Lever
5. SPRAY MIST® Button
6. SHOT OF STEAM® / Vertical Steam Button  
*(select models only)*
7. Power Indicator Light / MOTION SMART®  
Auto-Off Indicator
8. Soft Grip Handle
9. 360° Tangle-Free Swivel Cord  
*(select models only)*
10. Retractable Cord *(select models only)*
11. Anti-Calcium System *(select models only)* –  
Inside Water Reservoir
12. See-Through Water Reservoir
13. Soleplate



## IRONING TIPS

- Always read garment labels and follow the manufacturer's ironing instructions.
- Sort the articles to be ironed according to the type of fabric.
- You should first iron garments requiring low temperature (*e.g., silks and synthetics*) to avoid damaging them with an iron that is too hot.
- If you are unsure of the fabric content of the garment, test a small area, such as a seam or facing, before ironing a visible area. Start with a low temperature and gradually increase the heat to find the best setting.
- When changing the temperature from a high setting to a low setting, allow approximately 5 minutes for the lower temperature to be reached.
- When steam ironing, use long, slow passes over the fabric. This will allow the steam to penetrate the fabric while allowing the heat of the soleplate to dry out the moisture.
- To iron linens, turn garment inside out. Be careful not to use an iron that is too hot because the lining may melt or stick to the soleplate.
- To iron zippers, use an ironing cloth or make sure the zipper is closed and iron over the flap. Never iron directly over an unprotected zipper.
- Use the Ironing Guide to select the best setting and method for the fabric you plan to iron.

## TO FILL THE WATER RESERVOIR

1. Make sure the iron is unplugged. Set the Steam Lever to **○/Off (Dry)** and the Fabric Select Dial to **OFF**.
2. Lift the Water Fill Hole Cover.
3. Fill water cup with water. Pour water into iron water reservoir. Do not fill water reservoir beyond maximum fill level.

**WARNING:** To prevent the risk of burns, be careful when filling a hot iron with water. Hot metal parts, hot water and steam can cause injuries.

## DRY IRONING

1. Make sure the Steam Lever is turned to the **○/Off (Dry)** setting.
2. Plug the cord into a 120-Volt AC outlet.
3. Turn the large Fabric Select Dial to the fabric setting you desire (Silk or Synthetics). Allow the iron to heat for 2 minutes. While the iron is heating, make sure it is sitting on its heel rest on a stable, protected surface.

**NOTE:** While the Steam Lever is turned to the **○/Off (Dry)** setting, you may still use the **SHOT OF STEAM®** or **SPRAY MIST®** feature. Please make sure the water reservoir is 1/4 full of water.

**TIP:** Refer to the Ironing Guide for the recommended setting for your fabric.

## STEAM IRONING

1. Follow the instructions for “Filling the Water Reservoir”.
2. Plug the cord into a 120-Volt AC outlet.
3. Turn the large Fabric Select Dial to the fabric setting you desire (*Synthetic, Silk, Linen, Cotton or Wool*). Allow the iron to heat for 2 minutes. While the iron is heating, make sure it is sitting on its heel rest on a stable, protected surface.
4. Allow the iron to heat for 2 minutes, and then turn the Steam lever to the appropriate setting.

**TIP:** Refer to the Ironing Guide for the recommended setting for your fabric.

**IMPORTANT:** When not ironing, always set the Steam Lever to **○/Off (Dry)** and the Fabric Select Dial to **OFF**.

# USING THE IRON'S SPECIAL FEATURES

## SPRAY MIST® FEATURE

The SPRAY MIST® feature is a powerful water spray mist that dampens the fabric to aid in removing wrinkles from heavy fabrics and for setting creases.

**To use the SPRAY MIST® Feature:**

Press the SPRAY MIST® button firmly.

## SHOT OF STEAM® FEATURE

The SHOT OF STEAM® feature provides an extra burst of steam for deep penetration of stubborn wrinkles. You can use this feature while Dry or Steam ironing, but the water reservoir must be at least 1/4 full of water.

**To use the SHOT OF STEAM® Feature:**

Place the iron on top of the wrinkle and press the SHOT OF STEAM® button each time you would like an extra burst of steam. The SHOT OF STEAM® feature may be used continuously with just a short pause between shots.

## VERTICAL STEAM *(select models only)*

The vertical steam feature allows your iron to function as a garment steamer.

**TIP:** When using the vertical steam on clothing, hang the clothing on a clothes hanger for best results. Hanging curtains and drapes may also be steamed.

**To use Vertical Steam:**

1. Make sure that the iron has heated up (2 minutes).
2. Hold the iron in a vertical position, with the iron close to but not touching the fabric you want to steam.
3. With your other hand, pull the fabric tight.
4. Press the SHOT OF STEAM® button for approximately 3-second intervals as you move the iron across the wrinkled area.

**WARNING:** To prevent the risk of burns, keep your hand away from the area being steamed.

**WARNING:** DO NOT steam garments while wearing them; this may result in injuries.

## PATENTED MOTION SMART® AUTO-OFF FEATURE

When the iron is plugged in, the Power Indicator will light steadily, indicating that there is power to the iron.

**If you leave the iron:**

- in a horizontal position without moving it, or accidentally tip the iron over, it will automatically stop heating after 30 seconds. The Power Indicator will blink to let you know that the iron has stopped heating.
- in a vertical position (on its heel rest) without moving it, the iron will automatically turn off after 15 minutes. The Power Indicator will blink to let you know that the iron has stopped heating.

**IMPORTANT:** The Power Indicator will continue to blink until the iron is unplugged or reset.

### To reset the iron:

Move the iron back and forth and allow it to reheat for 2 minutes. The indicator will stop blinking and the iron will start heating again.

**WARNING:** The patented MOTION SMART® Auto-Off is a safety feature, not a recommended means for turning your iron off. See “Caring for Your Iron After Use” for information on turning off your iron and storing it safely between use.

### ANTI-CALCIUM SYSTEM *(select models only)*

The Anti-Calcium System is a permanent system located inside the water reservoir. This system removes calcium from the water and reduces calcium build-up on the soleplate.

### RETRACTABLE CORD SECTION *(select models only)*

1. When winding the cord, hold the plug with one hand, and press the winding button with the other hand. *(Failure to hold plug may cause plug to fly.)*
2. The cord reel is compact for multi-layer winding of the cord. In case cord is not fully rewound, pull out the cord and steer cord evenly on the reel.
3. In case the cord is not pulled out easily, pull cord firmly.
4. Select the amount of cord desired before plugging into an electrical outlet.
5. Do not allow children to use retractable cord feature as the cord may cause injury.

## CARING FOR YOUR IRON AFTER USE

### TURNING OFF YOUR IRON

1. Turn the Steam Lever to **○/Off (Dry)** and Fabric Select Dial to Off.
2. Unplug the iron from the power source.

**WARNING:** NEVER yank the power cord when unplugging the iron. This can damage the cord.

### STORING YOUR IRON

1. Allow the iron to cool.
2. If you do not use your iron on a daily basis, empty the water reservoir after each use for a longer iron life. To do so, unplug the iron, turn the iron upside down, open the fill hole cover, and allow water to flow from the fill hole. Shake the iron gently to remove trapped water drops.
3. On corded models only: Loosely loop the power cord around the heel rest and store the the iron on its heel rest.

**IMPORTANT:** Wrapping the cord around the iron too tightly can damage the cord.

**TIP:** When not ironing, always set the Steam Lever to **○/Off (Dry)** and the Fabric Select Dial to Off.



# MAINTAINING YOUR STEAM MASTER® IRON

## CLEANING THE SOLEPLATE

Clean the soleplate if starch or other residue accumulate.

**To clean the Soleplate:**

1. Allow the iron to cool and then wipe it with a soft, damp cloth.

**WARNING:** DO NOT use abrasive cleansers, scouring pads or vinegar to clean the soleplate. This will damage the finish.

2. Run the iron over an all-cotton cloth to remove any residue.

## USING THE SELF-CLEANING FEATURE

You should use the Self-Cleaning feature once a month to maintain the optimal performance of your iron.

**To use the Self-Cleaning feature:**

1. Move the Steam Lever back and forth from **○/Off (Dry)** several times to remove debris and minerals from the Steam Valve. This keeps water flowing into the steam chamber.

# MAINTENANCE

## CLEANING THE ANTI-CALCIUM SYSTEM *(select models only)*

The STEAM MASTER® iron houses an anti-calcium filter in the reservoir, which eliminates impurities from the water.

**To prolong the efficiency of this filter:**

1. Unplug the iron and allow it to cool.
2. Locate the water cup that accompanied the iron. Fill it with water to the Sunbeam logo in the top right corner. Add 1 teaspoon of salt to the water and fill the water reservoir with this solution.
3. Leave the solution in the water reservoir for 15 minutes, then empty it.
4. Fill the water reservoir a second time with the salt water solution and empty it again after 15 minutes.
5. Fill the tank with fresh water to rinse and empty.

The Anti-Calcium System should be cleaned approximately once a month.

## ***1 Year Limited Warranty***

Sunbeam Products, Inc, or if in Canada, Sunbeam Corporation (Canada) Limited (collectively "Sunbeam") warrants that for a period of one year from the date of purchase, this product will be free from defects in material and workmanship. Sunbeam, at its option, will repair or replace this product or any component of the product found to be defective during the warranty period. Replacement will be made with a new or remanufactured product or component. If the product is no longer available, replacement may be made with a similar product of equal or greater value. This is your exclusive warranty.

This warranty is valid for the original retail purchaser from the date of initial retail purchase and is not transferable. Keep the original sales receipt. Proof of purchase is required to obtain warranty performance. Sunbeam® dealers, service centers, or retail stores selling Sunbeam® products do not have the right to alter, modify or any way change the terms and conditions of this warranty.

This warranty does not cover normal wear of parts or damage resulting from any of the following: negligent use or misuse of the product, use on improper voltage or current, use contrary to the operating instructions, disassembly, repair or alteration by anyone other than Sunbeam or an authorized Sunbeam® service center. Further, the warranty does not cover: Acts of God, such as fire, flood, hurricanes and tornadoes.

### **What are the limits on Sunbeam's Liability?**

Sunbeam shall not be liable for any incidental or consequential damages caused by the breach of any express, implied or statutory warranty or condition.

Except to the extent prohibited by applicable law, any implied warranty or condition of merchantability or fitness for a particular purpose is limited in duration to the duration of the above warranty.

Sunbeam disclaims all other warranties, conditions or representations, express, implied, statutory or otherwise.

Sunbeam shall not be liable for any damages of any kind resulting from the purchase, use or misuse of, or inability to use the product including incidental, special, consequential or similar damages or loss of profits, or for any breach of contract, fundamental or otherwise, or for any claim brought against purchaser by any other party.

Some provinces, states or jurisdictions do not allow the exclusion or limitation of incidental or consequential damages or limitations on how long an implied warranty lasts, so the above limitations or exclusion may not apply to you.

This warranty gives you specific legal rights, and you may also have other rights that vary from province to province, state to state or jurisdiction to jurisdiction.

### **How To Obtain Warranty Service**

In the U.S.A.

If you have any question regarding this warranty or would like to obtain warranty service, please call 1 800-458-8407 and a convenient service center address will be provided to you.

In Canada

If you have any question regarding this warranty or would like to obtain warranty service, please call 1 800-667-8623 and a convenient service center address will be provided to you.

In the U.S.A., this warranty is offered by Sunbeam Products, Inc located in Boca Raton, Florida 33431. In Canada, this warranty is offered by Sunbeam Corporation (Canada) Limited, located at 5975 Falbourn Street, Mississauga, Ontario L5R 3V8.

**PLEASE DO NOT RETURN THIS PRODUCT TO ANY OF THESE ADDRESSES OR TO THE PLACE OF PURCHASE.**

# PRECAUCIONES IMPORTANTES

**Quando use algún aparato eléctrico siempre deben seguirse precauciones básicas de seguridad incluyendo las siguientes:**

## LEA TODAS LAS INSTRUCCIONES ANTES DE USAR

- Use la plancha únicamente para el uso al que está destinada.
- Para protegerse contra el riesgo de un choque eléctrico, no sumerja la plancha en agua ni en otros líquidos.
- La perilla selectora de telas y la palanca del vapor siempre deben estar en “O/Off” (Dry) (O/Apagado [Seco]) antes de enchufar o desenchufar la plancha del tomacorriente. Nunca tire del cable para desconectarla del tomacorriente, sujete el enchufe y tire de él para desconectarla.
- No permita que el cable toque superficies calientes. Deje enfriar la plancha por completo antes de guardarla. Envuelva el cable flojamente alrededor de la plancha para guardarla.
- Siempre desconecte la plancha del tomacorriente eléctrico cuanto esté llenándola de agua o vaciándola y también cuando no esté en uso.
- No haga funcionar la plancha si el cable está dañado o si la plancha se ha caído o dañado. Para evitar el riesgo de choque eléctrico, no desarme la plancha. Llévela a un centro de servicio autorizado para que la examinen y/o reparen. El rearmado incorrecto puede provocar el riesgo de un choque eléctrico al usar la plancha.
- Es necesario vigilar cuidadosamente a los niños cuando usen cualquier aparato o se encuentren cerca de él. No deje la plancha sin vigilancia mientras esté enchufada, encendida o sobre una tabla de planchar.
- Se pueden producir quemaduras por contacto con las partes de metal calientes, el agua caliente o el vapor. Tenga cuidado al invertir una plancha de vapor ya que puede quedar agua caliente en el reservorio.
- Si la plancha no funciona normalmente, desconéctela del tomacorriente y hágala revisar por un centro de servicio autorizado. O llame a Servicio al Cliente al 800-458-8407.
- Su plancha SUNBEAM® está diseñada para apoyarse en el talón de apoyo. No deje la plancha sin vigilancia. No apoye la plancha sobre una superficie no protegida, aun cuando sea sobre el talón de apoyo.

## INSTRUCCIONES ESPECIALES

- Este aparato funciona con 1200 vatios. Para evitar una sobrecarga del circuito no haga funcionar otro aparato de alto vataje en el mismo circuito.
- Si resulta absolutamente necesario usar un cable de extensión, se debe usar un cable de 15 amperios. Los cables con tensiones nominales menores pueden sobrecolentarse. Se debe cuidar de poner el cable de extensión de modo tal que no pueda ser arrancado o provocar tropiezos.

## PARA PRODUCTOS COMPRADOS EN LOS EE.UU. Y CANADÁ

Para reducir el riesgo de choque eléctrico, este aparato tiene un enchufe polarizado (*una pata es más ancha que la otra*). Este enchufe calza en un tomacorriente polarizado sólo de una manera; si el enchufe no cabe totalmente en el tomacorriente, gire el enchufe. Si aun así no calza, consulte a un electricista calificado. No intente anular esta característica de seguridad.

## GUARDE ESTAS INSTRUCCIONES

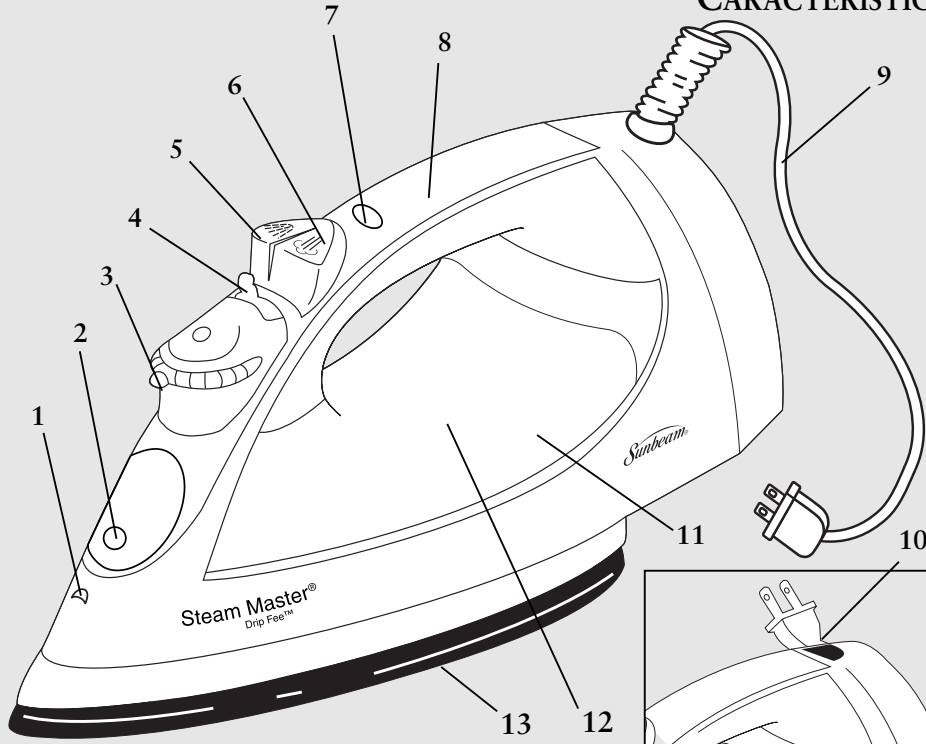
# GUÍA DE PLANCHADO

TELA	SELECCIÓN DE VAPOR SUGERIDA	DISCO DE SELECCIÓN DE TELA	RECOMENDACIONES DE PLANCHADO
Acrílico	O/Off (Dry) O/Apagado (Seco)	Synthetic (Sintética)	Planche la prenda por el revés.
Acetato	O/Off (Dry) O/Apagado (Seco)	Synthetic (Sintética)	Planche la prenda por el revés mientras está húmeda.
Poliéster	O/Off (Dry) O/Apagado (Seco)	Synthetic (Sintética)	Planche la prenda por el revés mientras está húmeda.
Rayón	O/Off (Dry) O/Apagado (Seco)	Synthetic (Sintética)	Planche la prenda por el revés mientras está húmeda.
Seda	O/Off (Dry) O/Apagado (Seco)	Silk (Seda)	Planche la prenda por el revés.
Viscosa	O/Off (Dry) O/Apagado (Seco)	Silk (Seda)	Planche la prenda por el revés o use un paño de planchar* para evitar marcas brillosas.
Nylon	O/Off (Dry) O/Apagado (Seco)	Synthetic (Sintética)	Planche la prenda principalmente en seco; se puede usar vapor según las instrucciones del fabricante de la prenda.
Lana	Steam (Vapor)	Wool (Lana)	Planche la prenda por el revés o use un paño de planchar.*
Combinaciones de Lana	Steam (Vapor)	Wool (Lana)	Planche la prenda por el revés o use un paño de planchar.*
Combinaciones de Algodón	Steam (Vapor)	Cotton (Algodón)	Siga las instrucciones del fabricante de la prenda. Use la selección que corresponde a la fibra que requiere la selección más baja.
Corduroy	Steam (Vapor)	Cotton (Algodón)	Planche la prenda por el revés o use un paño de planchar* y luego cepille la prenda con la mano para levantar la textura de la tela.
Algodón	Steam (Vapor)	Cotton (Algodón)	Planche las telas oscuras por el revés para evitar marcas brillosas.
Lino	Steam (Vapor)	Linen (Lino)	Planche la prenda por el revés o use un paño de planchar* para evitar marcas brillosas ( <i>especialmente en telas oscuras</i> ).
Mezclilla/Jean	Steam (Vapor)	Linen (Lino)	Use la función SPRAY MIST® a fin de lograr una penetración más profunda para eliminar las arrugas.

\*Un paño de planchar es una tela de algodón lavada en seco que se coloca sobre la prenda que se está planchando para evitar que se vea brillante.

NOTA: Algunas telas pueden necesitar más vapor que otras. Su plancha tiene la capacidad de regular el vapor conforme se necesite.

## CARACTERÍSTICAS DE SU PLANCHA STEAM MASTER®



1. Accionador de SPRAY MIST®
2. Orificio para Cargar Agua con Tapa
3. Perilla Selectora de Telas
4. Palanca de Vapor / Autolimpieza
5. Botón SPRAY MIST®
6. Botón SHOT OF STEAM® / Vapor Vertical  
*(modelos seleccionados únicamente)*
7. Luz Indicadora de Encendido / Indicadora de Apagado Automático MOTION SMART®
8. Mango con Asa Blanda
9. Cable con Giro de 360° Sin Enredos
10. Cordón Retractable  
*(modelos seleccionados únicamente)*
11. Sistema Antisarro  
*(modelos seleccionados únicamente)* -  
Dentro del Reservorio de Agua
12. Reservorio de Agua Transparente
13. Base

# RECOMENDACIONES PARA EL PLANCHADO

- Siempre lea las etiquetas de la prenda y siga las instrucciones de planchado del fabricante.
- Clasifique las prendas que va a planchar según el tipo de tela.
- Primero debe planchar las prendas que requieren baja temperatura (*por ejemplo, las prendas de seda y tela sintética*) a fin de evitar dañarlas con una plancha que esté demasiado caliente.
- Si no está seguro de cuál es el contenido de la tela de una prenda, pruebe planchando un área pequeña, como por ejemplo una costura o guarnición, antes de planchar un área visible. Empiece con una temperatura baja y aumentela gradualmente hasta encontrar la temperatura apropiada.
- Cuando cambie la temperatura de un valor alto a un valor bajo, deje pasar aproximadamente 5 minutos para llegar a la temperatura menor.
- Cuando planche al vapor, utilice pasadas largas y lentas de la plancha sobre la tela. Esto permitirá que el vapor penetre en la tela y que el calor de la placa de base seque la humedad.
- Para planchar prendas de lino, voltee de adentro para afuera la prenda. Tenga cuidado de no usar una plancha demasiado caliente porque el forro puede derretirse o adherirse a la placa de base.
- Para planchar cremalleras, use un paño de planchar o asegúrese de que la cremallera esté cerrada y planche sobre la solapa. Nunca planche directamente sobre una cremallera desprotegida.
- Use la Guía de Planchado que se proporciona para seleccionar el mejor método y regulación para la tela que va a planchar.

## PARA LLENAR EL RESERVORIO DE AGUA

1. Asegúrese de que la plancha esté desenchufada. Ponga la palanca de vapor en **○/Off (Dry)** (**○/Apagado [Seco]**) y la perilla de selección de telas en **Off (Apagado)**.
2. Levante la tapa del orificio para cargar agua. La tapa se puede retirar y se puede volver a colocar cuidadosamente en las ranuras.
3. Llene la taza con agua. Vierta el agua en el reservorio de agua de la plancha. No llene el reservorio de agua más allá del nivel máximo de llenado.

**ADVERTENCIA:** Para prevenir el riesgo de quemaduras, tenga cuidado al llenar una plancha caliente con agua. Las partes de metal calientes, el agua caliente y el vapor pueden causar lesiones.

## PLANCHANDO EN SECO

1. Asegúrese de que la palanca del vapor esté en la posición **○/Off (Dry)** (**○/Apagado [Seco]**).
2. Enchufe el cable en un tomacorriente de CA de 120 voltios. (*En México, 127 voltios*)
3. Gire el disco selector de tela (Fabric Select) en la posición deseada para planchando en seco (Silk [seda] o Synthetics [tela sintética]) y deje que la plancha se caliente durante 2 minutos. Mientras la plancha se está calentando, asegúrese de que esté apoyada sobre su talón de apoyo, encima de una superficie estable y protegida.

**NOTA:** Mientras que la palanca de Vapor esté en la posición **○/Off (Dry)** (**○/Apagado [Seco]**), Ud. todavía puede usar la característica **SHOT OF STEAM®** o **SPRAY MIST.®** Por favor asegúrese que el reservorio de agua esté lleno de agua de 1/4.

**SUGERENCIA:** Consulte la Guía de Planchado para conocer el nivel de temperatura adecuado para su tela.

## PLANCHANDO AL VAPOR

1. Siga las instrucciones de la sección “Cómo Llenar el Depósito de Agua”.
2. Enchufe el cable en un tomacorriente de CA de 120 voltios.
3. Gire el disco selector de tela (Fabric Select) a la posición deseada (*Synthetic [sintética], Silk [seda] Linen [lino], Cotton [algodón] o Wool [lana]*). Deje que la plancha se caliente durante 2 minutos. Mientras la plancha se está calentando, asegúrese de que esté apoyada sobre su talón de apoyo, encima de una superficie estable y protegida.
4. Permita que la plancha se caliente por 2 minutos y después mueva la palanca de vapor (Steam) a la posición que desea.

**SUGERENCIA:** Consulte la Guía de Planchado para conocer el nivel de temperatura adecuado para su tela.

**IMPORTANTE:** Cuando no esté planchando, siempre ponga la palanca de vapor en **○/Off (Dry)** (**○/Apagado [Seco]**) y la perilla de selección de telas en **○/Off (Dry)** (**○/Apagado [Seco]**).

# USO DE LAS FUNCIONES ESPECIALES DE LA PLANCHA

## LA FUNCIÓN SPRAY MIST®

La función SPRAY MIST® es una poderosa niebla de agua que humedece la tela para ayudar a eliminar las arrugas de las telas gruesas y para marcar los dobleces.

Para usar la función SPRAY MIST®:

Presione el botón SPRAY MIST® firmemente.

## LA FUNCIÓN SHOT OF STEAM®

La función SHOT OF STEAM® brinda un chorro de vapor adicional para penetración profunda en arrugas rebeldes. Puede usar esta función mientras plancha en seco o con vapor, pero por lo menos 1/4 del reservorio de agua debe estar lleno.

Para usar la función SHOT OF STEAM®:

Ponga la plancha sobre la arruga y presione el botón SHOT OF STEAM® cada vez que desee aplicar un chorro adicional de vapor. La función SHOT OF STEAM® se puede usar en forma continua con sólo una breve pausa entre chorros.

## VAPOR VERTICAL *(modelos seleccionados únicamente)*

La función vapor vertical permite que su plancha funcione como vaporizador para prendas. **CONSEJO:** Cuando use el vapor vertical sobre las prendas, cuélguelas de una percha para obtener mejores resultados. También se puede usar en cortinas y cortinados colgados.

Para usar el vapor vertical:

1. Asegúrese de que la plancha se haya calentado (2 minutos).
2. Sostenga la plancha en posición vertical, con la plancha cerca de la tela que desea vaporizar pero sin tocarla.
3. Con la otra mano, mantenga tensa la tela.
4. Presione el botón SHOT OF STEAM® a intervalos de aproximadamente 3 segundos a medida que mueve la plancha por la zona arrugada.

**ADVERTENCIA:** Para prevenir el riesgo de quemaduras, mantenga la mano alejada de la zona que está vaporizando.

**ADVERTENCIA:** NO vaporice las prendas mientras las tenga puestas ya que esto puede provocar lesiones.

## FUNCIÓN PATENTADA DE APAGADO AUTOMÁTICO MOTION SMART®

Cuando la plancha está enchufada, el indicador de encendido quedará encendido todo el tiempo para señalar que llega energía eléctrica a la plancha.

Si deja la plancha:

- en posición horizontal sin moverla, o la vuelca accidentalmente, automáticamente dejará de calentar al cabo de 30 segundos. El indicador de encendido titilará para hacerle saber que la plancha ha dejado de calentar.
- en posición vertical (*sobre su talón de apoyo*) sin moverla, la plancha se apagará automáticamente al cabo de 15 minutos. El indicador de encendido titilará para hacerle saber que la plancha ha dejado de calentar.

**IMPORTANTE:** El indicador de encendido continuará titilando hasta que la plancha sea desenchufada o reiniciada.



## Para reiniciar la plancha:

Mueva la plancha hacia atrás y hacia adelante y déjela volver a calentarse durante 2 minutos. El indicador dejará de titilar y la plancha comenzará a calentarse nuevamente.

**ADVERTENCIA:** La función patentada de apagado automático MOTION SMART® es una función de seguridad, no una forma recomendada de apagar su plancha. Consulte en “Cuidado de Su Plancha Después del Uso”, la información sobre cómo apagar su plancha y almacenarla con seguridad después del uso.

## SISTEMA ANTISARRO (*modelos seleccionados únicamente*)

El sistema antisarro es un sistema permanente ubicado dentro del reservorio de agua. Este sistema elimina el calcio del agua y reduce la acumulación de sarro en la base de la plancha.

## SECCIÓN DEL CORDÓN RETRACTABLE (*modelos seleccionados únicamente*)

1. Al enrollar el cordón, sostenga el enchufe con una mano, y presione el botón de enrollar con la otra mano. (*El fallar en sostener el enchufe puede hacer que el enchufe salga volando.*)
2. El carrete del cordón es compacto para enrollar múltiples capas del cordón. En caso que el cordón no se rebobinara completamente, saque el cordón y dirija el cable uniformemente en el carrete.
3. En el caso que el cordón no se sacara fácilmente, tire del cordón firmemente.
4. Seleccione la cantidad de cordón deseada antes de enchufar en un tomacorriente.
5. No permita a los niños usar la función retractable del cordón ya que el cordón puede causar lesiones.

# CUIDADO DE SU PLANCHA DESPUÉS DEL USO

## APAGADO DE SU PLANCHA

1. Ponga la palanca de vapor en **○/Off (Dry)** (**○/Apagado [Seco]**) y la perilla de selección de telas en **Off (Apagado)**.
2. Desenchufe la plancha del tomacorriente.

**ADVERTENCIA:** NUNCA tire del cable para desenchufar la plancha. Esto puede dañar el cable.

## ALMACENAMIENTO DE SU PLANCHA

1. Deje enfriar la plancha.
2. Si no usa la plancha diariamente, vacíe el reservorio de agua después de cada uso para que la misma tenga una mayor vida útil. Para hacerlo, desenchufe la plancha, inviértala, abra la tapa del orificio para cargar agua y deje que salga el agua por el orificio. Sacuda la plancha suavemente para eliminar las gotas de agua retenidas.
3. En el corded modelo solo: Enrolle el cable alrededor del talón de apoyo y almacene la plancha parada sobre su talón de apoyo.

**IMPORTANTE:** Si se enrolla el cable de manera muy ajustada alrededor de la plancha se puede dañar el cable.

**CONSEJO:** Cuando no esté planchando, siempre ponga la palanca de vapor en **○/Off (Dry)** (**○/Apagado [Seco]**) y la perilla de selección de telas en **Off (Apagado)**.

# MANTENIMIENTO DE SU PLANCHA STEAM MASTER®

## LIMPIEZA DE LA BASE

Limpie la base si se acumula almidón o algún otro residuo.

Para limpiar la base:

1. Deje enfriar la plancha y luego pásele un paño suave y húmedo.

**ADVERTENCIA:** NO use limpiadores abrasivos, esponjas de metal ni vinagre para limpiar la base.

Esto dañará el acabado.

2. Pase la plancha por un paño de puro algodón para eliminar cualquier residuo.

## USO DE LA FUNCIÓN DE AUTOLIMPIEZA

Debe usar la función de autolimpieza una vez al mes para mantener el rendimiento óptimo de su plancha.

Para usar la función de autolimpieza:

1. Mueva varias veces la palanca de vapor **○/Off (Dry)** (**○/Apagado [Seco]**) hacia atrás y hacia adelante a para eliminar los residuos y los minerales de la válvula de vapor. Esto permite que el agua fluya en el compartimiento del vapor.

## LIMPIEZA DEL SISTEMA ANTISARRO

La plancha STEAM MASTER® contiene un filtro antisarro en el reservorio, que elimina las impurezas del agua.

Para prolongar la eficiencia de este filtro:

1. Desenchufe la plancha y déjela enfriar.
2. Encuentre la taza para agua que vino con la plancha. Llene la taza con agua hasta el logotipo de Sunbeam que está en el ángulo superior derecho. Agregue 1 cucharadita de sal al agua y llene el reservorio de agua con esta solución.
3. Deje la solución en el reservorio de agua durante 15 minutos y luego vacíelo.
4. Llene el reservorio de agua por segunda vez con la solución de agua salada y vacíelo nuevamente al cabo de 15 minutos.
5. Llene el tanque con agua fresca para enjuagar y vacíelo.

El sistema antisarro debe limpiarse aproximadamente una vez por mes.

## *Garantía Limitada de 1 Año*

Sunbeam Products, Inc., o si en Canadá, Sunbeam Corporation (Canadá) Limited (colectivamente "Sunbeam") garantiza que este producto estará libre de defectos en material o mano de obra por un período de un año a partir de la fecha de la compra. Sunbeam, a su elección, reparará o reemplazará este producto o cualquier componente del producto que se encuentre defectuoso durante el período de garantía. El reemplazo será efectuado por un producto o componente nuevo o remanufacturado. Si el producto ya no está disponible, el reemplazo podrá efectuarlo por un producto similar de igual o mayor valor. Esta es su garantía exclusiva.

Esta garantía es válida para el comprador original al detalle desde la fecha de compra original al detalle y no es transferible. Guarde el recibo de venta original. Se requiere prueba de compra para obtener la garantía. Los concesionarios Sunbeam®, centros de servicio, o almacenes de ventas al detalle de productos Sunbeam® no tienen el derecho de alterar, modificar o cambiar, de manera alguna, los términos y condiciones de esta garantía.

Esta garantía no cubre el desgaste normal de las piezas o daños resultantes de cualquiera de los siguientes: uso negligente o mal uso del producto, uso en voltaje o corriente inapropiada, uso contrario a las instrucciones de operación, desarme, reparación o alteración por cualquier persona que no sea Sunbeam o de un centro de servicio autorizado Sunbeam®. Además, esta garantía no cubre: Actos de la naturaleza, tales como incendios, inundaciones, huracanes o tornados.

### *¿Cuáles Son los Límites de Responsabilidad de Sunbeam?*

Sunbeam no será responsable por ningún daño incidental o consecuente causados por el incumplimiento de la garantía o condición expresa, implícita o reglamentaria.

Excepto hasta donde lo prohíben las leyes aplicables, cualquier garantía implícita o condición de comerciabilidad o aptitud para un propósito particular, está limitada en duración a la duración de la garantía descrita arriba.

Sunbeam niega cualquier otra garantía, condición o representación, expresa, implícita, reglamentaria o de otra manera.

Sunbeam no será responsable por ningún tipo de daño que resulte de la compra, uso o mal uso, o inhabilidad de usar el producto incluyendo daños incidentales, especiales, consecuentes o similares o pérdida de lucro, o por cualquier incumplimiento de contrato, fundamental o de otra manera, o por cualquier reclamo contra el comprador iniciado por cualquier otra tercera persona.

Algunas provincias, estados o jurisdicciones no permiten la exclusión o la limitación de daños incidentales o consecuentes, o limitaciones sobre cuánto dura una garantía implícita, de modo que las limitaciones o exclusiones mencionadas arriba pueda que no le aplique a usted.

Esta garantía le otorga derechos legales específicos, y pueda que usted tenga otros derechos, los cuales varían de provincia a provincia, de estado a estado o de jurisdicción a jurisdicción.

### *Cómo Obtener Servicio de Garantía*

En los Estados Unidos –

Si usted tiene alguna pregunta relacionada con esta garantía o quisiera obtener servicio de garantía, por favor llame al teléfono 1.800.458.8407 y le proporcionaremos la dirección del centro de servicio más conveniente para usted.

En Canadá –

Si usted tiene alguna pregunta relacionada con esta garantía o quisiera obtener servicio de garantía, por favor llame al teléfono 1.800.667.8623 y le proporcionaremos la dirección del centro de servicio más conveniente para usted.

En los Estados Unidos, esta garantía es ofrecida por Sunbeam Products, Inc., situada en Boca Ratón, Florida 33431. En Canadá, esta garantía es ofrecida por Sunbeam Corporation (Canadá) Limited, situada en el 5975 Falbourn Street, Mississauga, Ontario L5R 3V8.

**POR FAVOR, NO REGRESE ESTE PRODUCTO A NINGUNA DE ESTAS DIRECCIONES NI AL LUGAR DONDE LO COMPRÓ.**

# Sunbeam®

For product questions:  
Sunbeam Consumer Service  
USA : 1.800.458.8407  
Canada : 1.800.667.8623  
[www.sunbeam.com](http://www.sunbeam.com)

©2004 Sunbeam Products, Inc. All rights reserved.  
SUNBEAM®, STEAM MASTER®, MOTION SMART®, SHOT OF STEAM®  
and SPRAY MIST® are registered trademarks of Sunbeam Products, Inc.  
DRIP FREE™ is a trademark of Sunbeam Products, Inc.  
In Canada, imported and distributed by Sunbeam Corporation, Limited.  
In the United States, distributed by Sunbeam Products, Inc.  
Boca Raton, Florida 33431

Para preguntas sobre los productos:  
Sunbeam Consumer Service  
EE.UU. : 1.800.458.8407  
Canadá : 1.800.667.8623  
[www.sunbeam.com](http://www.sunbeam.com)

©2004 Sunbeam Products, Inc. Todos los derechos reservados.  
SUNBEAM®, STEAM MASTER®, MOTION SMART®, SHOT OF STEAM®  
y SPRAY MIST® son marcas registradas de Sunbeam Products, Inc.  
DRIP FREE™ es una marca comercial de Sunbeam Products, Inc.  
En Canadá, importada y distribuida por Sunbeam Corporation, Limitada.  
En los Estados Unidos, distribuida por Sunbeam Products, Inc.  
Boca Ratón, Florida 33431