

# *Sunbeam*®

## **Steam Iron** **USER MANUAL**



Model  
**3980**

# IMPORTANT SAFEGUARDS

When using electrical appliances, basic safety precautions should always be followed, including the following:

- ❑ **READ ALL INSTRUCTIONS BEFORE USING THIS IRON.**
- ❑ Use iron only for its intended use.
- ❑ To protect against risk of electric shock, do not immerse the iron in water or other liquids.
- ❑ The iron should always be turned to "OFF" before plugging or unplugging from outlet. Never yank cord to disconnect from outlet; instead, grasp plug and pull to disconnect.
- ❑ Do not allow cord to touch hot surfaces. Let iron cool completely before putting away. Loop cord loosely around iron when storing.
- ❑ Always disconnect iron from electrical outlet when filling with water or emptying and when not in use.
- ❑ Do not operate iron with a damaged cord or if the iron has been dropped or damaged. To avoid the risk of electric shock, do not disassemble the iron. Take it to an authorized service center for examination and/or repair. Incorrect reassembly can cause a risk of electric shock when the iron is used.
- ❑ Close supervision is necessary for any appliance being used by or near children. Do not leave iron unattended while connected or on an ironing board.
- ❑ Burns can occur from touching hot metal parts, hot water or steam. Use caution when you turn a steam iron upside down – there may be hot water in the reservoir.
- ❑ If the iron is not operating normally, disconnect from the power supply and have the iron serviced by an authorized service center.
- ❑ Your SUNBEAM® iron is designed to rest on the heel rest. Do not leave the iron unattended. Do not set the iron on an unprotected surface, even if it is on its heel rest.

## SAVE THESE INSTRUCTIONS

# WELCOME

Congratulations on your purchase of a SUNBEAM® iron! Sunbeam has designed your iron to provide the utmost in quality, ease of use and convenience. Sunbeam offers you an iron to fit your lifestyle:

SUNBEAM® irons offer the following features:

- SPRAY MIST®** – Provides a fine mist of water to dampen fabrics for creases or to remove wrinkles from heavy fabrics.
- Large Water Fill Hole** – Allows you to fill the water reservoir faster while reducing water spills and drips.
- Comfortable Ergonomic Handle** – Provides a more comfortable grip and easy handling.
- Temperature Indicator Light** – Lights when Iron is heating up.
- Adjustable Steam Dial** – Adjusts steam level for difficult ironing needs. For dry ironing, turn dial to DRY.
- Soleplate** – Has full-length button grooves for added convenience when ironing shirts and blouses.

---

## SPECIAL INSTRUCTIONS

- This is a 1100-Watt appliance. To avoid a circuit overload, do not operate another high wattage appliance on the same circuit.
- If an extension cord is absolutely necessary, a 10-ampere cord should be used. Cords rated for less amperage may overheat. Care should be taken to arrange the cord so that it cannot be pulled or tripped over.

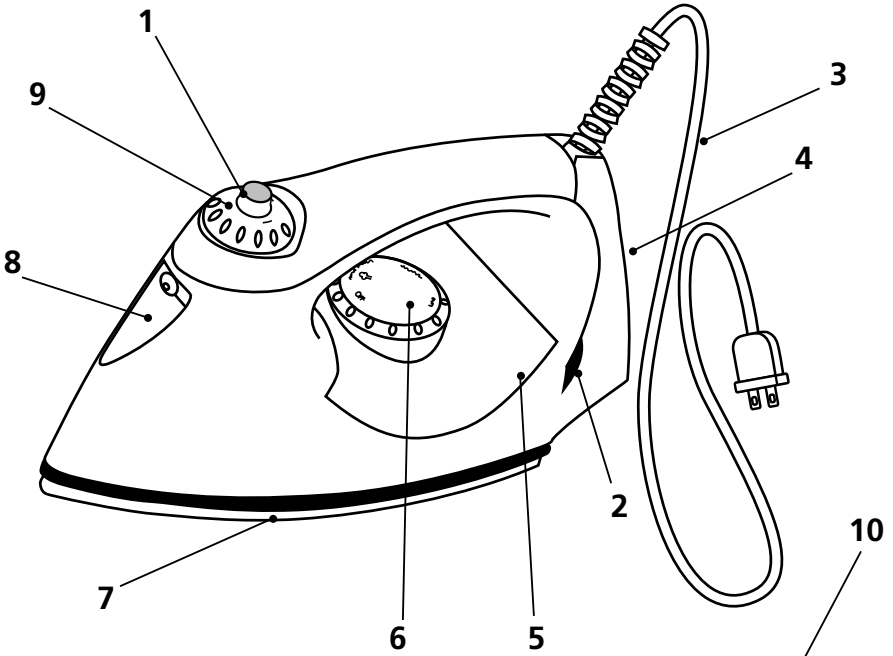
### For Products Purchased in the United States

To reduce the risk of electrical shock, this appliance has a polarized plug (*one blade is wider than the other*). This plug fits a polarized outlet only one way; if the plug does not fit fully into the outlet, reverse the plug. If it still does not fit, contact a qualified electrician. Do not attempt to defeat this safety feature.

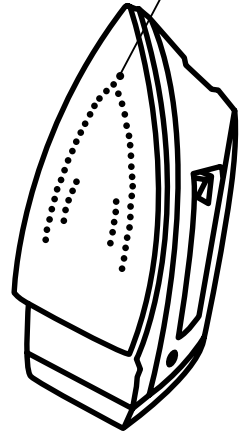
# TABLE OF CONTENTS

Important Safeguards . . . . .	Inside Cover
Welcome . . . . .	3
Table of Contents . . . . .	4
Features of Your Iron . . . . .	5
Filling the Water Reservoir . . . . .	6
Dry Ironing . . . . .	6
Steam Ironing . . . . .	7
Using the Iron's Special Features . . . . .	7
SPRAY MIST® . . . . .	7
Caring for Your Iron After Use . . . . .	7
Turning Off Your Iron . . . . .	7
Storing Your Iron . . . . .	8
Maintaining Your Iron . . . . .	8
Cleaning the Soleplate . . . . .	8
Ironing Tips . . . . .	9
Ironing Guide . . . . .	10
One-Year Limited Warranty . . . . .	11
How to Obtain Warranty Service . . . . .	11

# FEATURES OF YOUR STEAM IRON



1. SPRAY MIST® Button
2. Temperature Indicator Light
3. Power Cord
4. Heel Rest
5. Large Water Reservoir
6. Fabric/Temperature Select Dial
7. Soleplate
8. Easy-to-Fill Water Tank
9. Adjustable Steam Dial
10. Steam Vents



## Filling the Water Reservoir

You must fill the water reservoir with water to use the SPRAY MIST® feature and to get steam out of your iron.

**Tip:** Sunbeam tests each iron at the factory to ensure that they function correctly. The test may leave a small, harmless amount of water within the water reservoir.

Before you fill the water reservoir, please consider the following:

- While this iron was designed for use with tap water, very hard water will reduce the performance of the iron. If your water is very hard, Sunbeam recommends that you use tap water the first time, then consider using demineralized or distilled water for subsequent use. You should use tap water once a month, however, to maintain the iron's optimal steam performance.
- Do not use water that has passed through a home water softening system. This type of water contains minerals that will decrease the performance and shorten the life of your iron. Use demineralized or distilled water, instead.

**Important:** When not ironing, always set the Steam dial to DRY and the Fabric Select dial to OFF.

### To fill the water reservoir:

1. Make sure the iron is unplugged and that the Fabric Select dial is set to OFF and the Steam dial is set to DRY. Fill the water reservoir with tap water until it reaches the maximum fill level (4.4 ounces).

**WARNING:** To prevent the risk of burns, be careful when filling a hot iron with water. Hot metal parts, hot water and steam can cause injuries.

## Dry Ironing

1. Plug the cord into a 120-Volt AC outlet.
2. Make sure that the Steam dial is set to Dry.
3. Turn the Fabric Select dial to the Dry ironing fabric setting you desire (Silk or Synthetics) and allow the iron to heat for 2 minutes. While the iron is heating, make sure it is sitting on its heel rest on a stable, protected surface.
4. The Temperature Indicator Light will remain lit until iron reaches appropriate temperature.

**Tip:** Refer to the Ironing Guide on Page 10 for the recommended setting for your fabric.

## Steam Ironing

1. Follow the instructions for “Filling the Water Reservoir” on Page 6.
2. Plug the cord into a 120-Volt AC outlet.
3. Turn the Fabric Select dial to the Steam ironing fabric setting you desire (Linen, Cotton or Wool) and allow the iron to heat for 2 minutes. While the iron is heating, make sure it is sitting on its heel rest on a stable, protected surface.

**Tip:** Refer to the Ironing Guide on Page 10 for the recommended setting for your fabric.

4. After the iron has heated (2 minutes), turn the Steam dial to the appropriate steam setting.
5. The Temperature Indicator Light remains on until the iron reaches the appropriate temperature.

## How To Use the Special Functions

### SPRAY MIST®

The SPRAY MIST® feature dampens the fabric to aid in removing wrinkles from heavy fabrics and for setting creases.

To use the SPRAY MIST® feature:

Press the SPRAY MIST® button firmly.

## Caring for Your Iron After Use

### TURNING OFF YOUR IRON

1. Turn the Steam dial to DRY and the Fabric Select dial to OFF.
2. Unplug the iron from the power source.

**WARNING: NEVER yank the power cord when unplugging the iron, this can damage the cord.**

## STORING YOUR IRON

1. Allow the iron to cool.
2. If you do not use your iron on a daily basis, empty the water reservoir after each use for a longer iron life. To do so, turn the iron upside down to allow water to flow from the fill hole. Shake the iron gently to remove trapped water drops.
3. Loosely loop the power cord together and store the iron on its heel rest.

**Important:** Wrapping the cord around the iron too tightly can damage the cord.

**Tip:** When not ironing, always set the Steam dial to DRY and the Fabric Select dial to OFF.

## Maintaining Your Iron

### CLEANING THE SOLEPLATE

Clean the soleplate if starch or other residue accumulate.

To clean the Soleplate:

1. Allow the iron to cool and then wipe it with a soft, damp cloth.

**WARNING: DO NOT use abrasive cleansers, scouring pads or vinegar to clean the soleplate, this will damage the finish.**

2. Run the iron over an all-cotton cloth to remove any residue.



# Ironing Tips

- Always read garment labels and follow the manufacturer's ironing instructions.
- Sort the articles to be ironed according to the type of fabric.
- You should first iron garments requiring low temperature (*e.g., silks and synthetics*) to avoid damaging them with an iron that is too hot.
- If you are unsure of the fabric content of the garment, test a small area, such as a seam or facing, before ironing a visible area. Start with a low temperature and gradually increase the heat to find the best setting.
- When changing the temperature from a high setting to a low setting, allow approximately 5 minutes for the lower temperature to be reached.
- When steam ironing, use long, slow passes over the fabric. This will allow the steam to penetrate the fabric while allowing the heat of the soleplate to dry out the moisture.
- To iron linens, turn garment inside out. Be careful not to use an iron that is too hot because the lining may melt or stick to the soleplate.
- To iron zippers, use an ironing cloth or make sure the zipper is closed and iron over the flap. Never iron directly over an unprotected zipper.
- Use the Ironing Guide on Page 10 to select the best setting and method for the fabric you plan to iron.

# IRONING GUIDE

Fabric	Steam Setting	Fabric Setting	Ironing Recommendations
Acrylic	Dry	Synthetic	Iron garment inside out.
Acetate	Dry	Synthetic	Iron garment inside out while still damp.
Viscose	Dry	Synthetic	Iron garment inside out or use an ironing cloth* to prevent shine marks.
Nylon	Dry	Synthetic	Mainly dry iron; steam may be used under garment manufacturer's instructions.
Polyester	Dry	Synthetic	Iron garment inside out while still damp.
Rayon	Dry	Synthetic	Iron garment inside out while still damp.
Silk	Dry	Silk	Iron garment inside out.
Wool	Medium Steam	Wool	Iron garment inside out or use an ironing cloth.*
Wool Blends	Medium Steam	Wool	Iron garment inside out or use an ironing cloth.*
Cotton Blends	Medium Steam	Cotton	Follow garment manufacturer's instructions. Use setting for the fiber requiring the lowest setting.
Corduroy	Medium Steam	Cotton	Iron garment inside out or use an ironing cloth* and then brush the garment with your hand to raise the texture of the fabric.
Cotton	High Steam	Cotton	Iron dark fabrics inside out to prevent shine marks.
Linen	High Steam	Linen	Iron garment inside out or use an ironing cloth* to prevent shine marks (especially on dark fabrics).
Denim	High Steam	Linen	Use the SPRAY MIST® feature and/or the SHOT OF STEAM® feature for deeper penetration to remove wrinkles.

*\*An ironing cloth is a cotton, dry-cleaned cloth that you place over the garment you are ironing to prevent the fabric from looking shiny.*

---

# 1-YEAR LIMITED WARRANTY

Sunbeam Products, Inc. (“Sunbeam”) warrants that for a period of **ONE** year from the date of purchase, this product will be free from defects in material and workmanship. Sunbeam, at its option, will repair or replace this product or any component of the product found to be defective during this warranty period. Replacement will be made with a new or remanufactured product or component. If the product is no longer available, replacement may be made with a similar product of equal or greater value. This is your exclusive warranty.

This warranty is valid for the original retail purchaser from the date of initial retail purchase and is not transferable. Keep the original sales receipt. Proof of purchase is required to obtain warranty performance. Sunbeam dealers, service centers or retail stores selling Sunbeam products do not have the right to alter, modify or any way change the terms and conditions of this warranty.

This warranty does not cover normal wear of parts or damage resulting from any of the following: negligent use or misuse of the product, use on improper voltage or current, use contrary to the operating instructions, disassembly, repair or alteration by anyone other than Sunbeam or an Authorized Service Center. Further, the warranty does not cover Acts of God, such as fire, flood, hurricanes and tornadoes.

Sunbeam shall not be liable for any incidental or consequential damages caused by the breach of any express or implied warranty. Except to the extent prohibited by applicable law, any implied warranty of merchantability or fitness for a particular purpose is limited in duration to the duration of the above warranty. Some states, provinces or jurisdictions do not allow the exclusion or limitation of incidental or consequential damages or limitations on how long an implied warranty lasts, so the above limitations of exclusion may not apply to you. This warranty gives you specific legal rights and you may have the rights that vary by state, province and/or jurisdiction.

## **How to Obtain Warranty Service**

Please, **DO NOT RETURN THIS PRODUCT TO THE PLACE OF PURCHASE**. Take the product to an authorized Sunbeam service center. You can find the nearest authorized Sunbeam service center by calling 1 800 458-8407, or by visiting our website at [www.sunbeam.com](http://www.sunbeam.com). If an authorized Sunbeam service center is not conveniently located, attach a tag to the product that includes your name, address, daytime telephone number and description of the problem. Include a copy of the original sales receipt. Carefully package the tagged product with the sales receipt and send either by UPS or Parcel Post with shipping and insurance prepaid to the authorized Sunbeam service center address.



**DO NOT SEND THIS PRODUCT TO THE PLACE OF PURCHASE**

For product questions:  
Sunbeam Consumer Service  
P.O. Box 948389  
Maitland, FL 32794-8389  
1.800.458.8407  
[www.sunbeam.com](http://www.sunbeam.com)

**DO NOT SEND PRODUCT TO THE ABOVE ADDRESS**

©2001 Sunbeam Products, Inc. All rights reserved.  
SUNBEAM® and SPRAY MIST® are registered trademarks of Sunbeam Products, Inc.  
Distributed by Sunbeam Products, Inc.  
Boca Raton, FL 33431

# PRECAUCIONES IMPORTANTES

Al usar la plancha, siempre se deben tomar precauciones de seguridad, incluidas las siguientes:

- LEA TODAS LAS INSTRUCCIONES ANTES DE USAR ESTA PLANCHA.**
- Utilice la plancha sólo para su uso indicado.
- Para protegerse contra el riesgo de descarga eléctrica, no sumerja la plancha en agua u otros líquidos.
- La plancha siempre debe estar en la posición de apagado (OFF) antes de conectarla o desconectarla del tomacorriente. Nunca tire del cable para desconectar la plancha del tomacorriente; para desconectar la plancha, sujete y tire del enchufe.
- No permita que el cable toque superficies calientes. Deje que la plancha se enfríe completamente antes de guardarla. Enrolle sin apretar el cable alrededor de la plancha para guardarla.
- Siempre desconecte la plancha del tomacorriente para llenarla con agua, para vaciar el agua y cuando no esté en uso.
- No haga funcionar la plancha con el cable dañado, ni tampoco si dejó caer la plancha o si ésta sufrió daño. Para evitar el riesgo de descarga eléctrica no desarme la plancha. Llévela a un Centro de Servicio Autorizado para que sea examinada y/o reparada. Un reensamblaje incorrecto de la plancha puede causar riesgo de descarga eléctrica al usarla.
- Cualquier artefacto eléctrico usado por niños, o cerca de niños, requiere una vigilancia cuidadosa. No deje la plancha desatendida mientras esté conectada o sobre una tabla de planchar.
- El contacto con piezas metálicas calientes, agua caliente o vapor puede causar quemaduras. Tenga cuidado cuando invierta la posición de una plancha de vapor ya que puede contener agua caliente en el depósito.
- Si la plancha no funciona normalmente, desconéctela de la fuente de alimentación eléctrica y llévela a un centro de servicio autorizado para que sea examinada.
- La plancha SUNBEAM® ha sido diseñada para que descansa sobre su talón de apoyo. No deje la plancha desatendida. No coloque la plancha sobre una superficie desprotegida, aunque lo haga sobre su talón de apoyo.

# CONSERVE ESTAS INSTRUCCIONES

# BIENVENIDO

¡Felicitaciones por la Compra de su Plancha SUNBEAM®!

Sunbeam ha diseñado su plancha para brindar la máxima calidad, facilidad de uso y conveniencia.

Planchas SUNBEAM® ofrecen las siguientes funciones:

- SPRAY MIST® – Proporciona un fino vapor de agua a fin de humedecer la tela para planchar pliegues o para retirar arrugas de telas gruesas.
- Orificio Grande para Llenado de Agua – Permite llenar el depósito de agua más rápidamente y reduce los derrames y goteos de agua.
- Acepta Agua de Caño – Elimina la necesidad de tener agua destilada para planchar.
- Cómodo Mango Ergonómico – Proporciona un agarre más cómodo y facilita la manipulación.
- Luz Indicadora de Temperatura – Se enciende cuando la plancha se está calentando.
- Disco de Vapor Ajustable – Controla el nivel de vapor para aquellas telas difíciles de planchar. Para planchar en seco, gire el disco de Vapor en la posición de planchado en seco.
- Suela – Cuenta con ranuras a todo lo largo, para planchar al vapor fácilmente por debajo de los botones de camisas y blusas.

---

## INSTRUCCIONES ESPECIALES

- Éste es un aparato de 1100 vatios. Para evitar sobrecargar el circuito, no haga funcionar otro aparato de alta potencia en el mismo circuito.
- Si es absolutamente necesario usar un cable de extensión, se debe usar un cable de 10 amperios. Los cables de amperaje menor pueden sobrecalentarse. Asegúrese de que el cable no esté colocado donde pueda ser pisado u ocasionar un tropiezo.

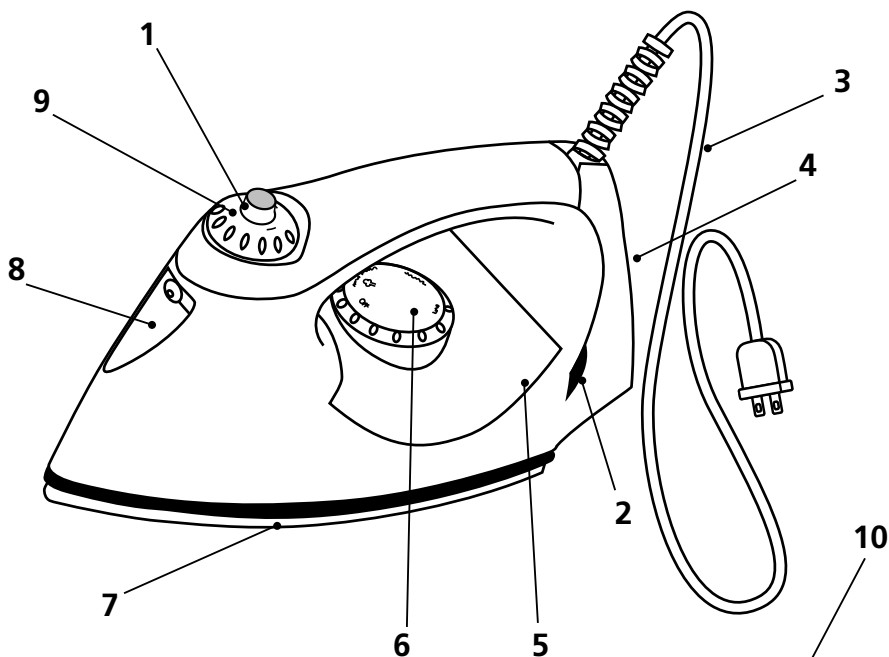
### Para Productos Comprados en los Estados Unidos

Para reducir el riesgo de descarga eléctrica, este aparato tiene un enchufe polarizado (*una clavija es más ancha que la otra*). Este enchufe entra en un tomacorriente polarizado de una sola manera; si el enchufe no entra completamente en el tomacorriente, voltee el enchufe. Si todavía no entra, comuníquese con un electricista competente. No desactive esta función de seguridad.

# ÍNDICE

Precauciones Importantes . . . . .	Cubierta Interior
Bienvenido . . . . .	3
Índice . . . . .	4
Información Sobre la Plancha . . . . .	5
Cómo Llenar el Depósito de Agua . . . . .	6
Planchando en Seco . . . . .	6
Planchando al Vapor . . . . .	7
Cómo Usar las Funciones Especiales de la Plancha . . . . .	7
SPRAY MIST® . . . . .	7
Cómo Cuidar la Plancha Después del Uso . . . . .	7
Cómo Apagar la Plancha . . . . .	8
Cómo Guardar la Plancha . . . . .	8
Mantenimiento de la Plancha . . . . .	8
Limpieza de la Placa de Base . . . . .	8
Recomendaciones para el Planchado . . . . .	9
Guía de Planchando . . . . .	10
Garantía Limitada de Un Año . . . . .	11
Cómo Obtener el Servicio de la Garantía . . . . .	11

# CARACTERÍSTICAS DE SU PLANCHA



1. Botón SPRAY MIST®
2. Luz Indicadora de Temperatura
3. Cordón
4. Parador
5. Ventana par Ver la Cantidad de Agua
6. Dial de Temperatura para Diferentes Clases de Tela
7. Base Inferior
8. Tanque pare el Agua Facil de Llenar
9. Dial Variable para el Vapor
10. Salideros del Vapor



## Cómo Llenar el Depósito de Agua

Debe llenar el depósito de agua para usar la función SPRAY MIST® y para que salga vapor de la plancha.

Recomendación: Sunbeam prueba cada plancha en la fábrica para asegurar su correcto funcionamiento. Esta prueba puede dejar una pequeña cantidad de agua en el depósito, lo cual no dañará la plancha.

Antes de llenar el depósito de agua, tenga en cuenta lo siguiente:

- Aunque esta plancha ha sido diseñada para usarse con agua de caño, el agua de caño, cuando es muy dura, reduce el rendimiento de la plancha. Si el agua en su localidad es muy dura, Sunbeam recomienda que use agua de caño la primera vez que use la plancha y luego considere usar agua desmineralizada o agua destilada para los usos subsiguientes. Sin embargo, debe usar agua de caño una vez al mes para obtener un rendimiento óptimo de la plancha a vapor.
- No use agua que haya pasado a través de un sistema residencial para suavización del agua. Este tipo de agua contiene minerales que disminuyen el rendimiento y acortan la vida útil de la plancha. En este caso, use agua desmineralizada o destilada.

**Importante:** Cuando no use la plancha, siempre coloque el control del vapor (Steam) está en la posición DRY (seco) y el disco selector de tela (Fabric) en la posición OFF (apagado).

### Para llenar el depósito de agua:

1. Asegúrese de que la plancha esté desconectada y que el disco selector de tela (Fabric) está en la posición OFF (apagado) y el control del vapor (Steam) está en la posición DRY (seco). Llene el depósito de agua con agua de caño hasta que llegue al nivel de llenado máximo (4.4 onzas).

**ADVERTENCIA:** Para evitar el riesgo de quemaduras, tenga cuidado al llenar una plancha caliente con agua. Las partes metálicas calientes, el agua caliente y el vapor pueden causar lesiones corporales.

### Planchando en Seco

1. Enchufe el cable en un tomacorriente de CA de 120 voltios (*in México, 127 voltios*). Se encenderá el indicador de encendido.
2. Asegúrese de que el control del vapor (Steam) esté en la posición DRY (seco).
3. Gire el disco selector de tela (Fabric) en la posición deseada para planchando en seco (Silk [seda] o Synthetics [tela sintética]) y deje que la plancha se caliente durante 2 minutos. Mientras la plancha se está calentando, asegúrese de que esté apoyada sobre su talón de apoyo, encima de una superficie estable y protegida.
4. La Luz Indicadora de Temperatura se mantendrá iluminada hasta que la plancha alcance la temperatura apropiada.

**Sugerencia:** Consulte la Guía de Planchado en la Página 10 para conocer el nivel de temperatura adecuado para su tela.

## Planchando al Vapor

1. Siga las instrucciones de la sección “Cómo Llenar el Depósito de Agua” descritas en la Página 6.
2. Enchufe el cable en un tomacorriente de CA de 120 voltios.
3. Gire el disco selector de tela (Fabric) en la posición deseada para planchando al vapor (Linen [lino], Cotton [algodón] o Wool [lana] y deje que la plancha se caliente durante 2 minutos. Mientras la plancha se está calentando, asegúrese de que esté apoyada sobre su talón de apoyo, encima de una superficie estable y protegida.

**Recomendación:** Consulte la Guía de Planchado en la Página 10 para obtener información sobre la selección recomendada para su tela.

4. Después de que la plancha se ha calentado (2 minutos), gire el disco de Vapor al nivel adecuado de vapor.
5. La Luz Indicadora de Temperatura se mantiene encendida hasta que la plancha alcanza la temperatura apropiada.

## Cómo Usar las Funciones Especiales

### SPRAY MIST®

La función SPRAY MIST® humedece la tela para ayudar a eliminar las arrugas de las telas gruesas y asentar pliegues.

Para usar la función SPRAY MIST®:

Presione firmemente el botón SPRAY MIST®.

## Cómo Cuidar la Plancha Después del Uso

### CÓMO APAGAR LA PLANCHA

1. Gire el disco selector del vapor (Steam) en la posición DRY (seco) y el disco selector de tela (Fabric) en la posición OFF (apagado).
2. Desenchufe la plancha de la fuente de alimentación.

**ADVERTENCIA: NUNCA tire del cable de alimentación cuando desconecte la plancha, ya que esto puede dañar el cable.**

## CÓMO GUARDAR LA PLANCHA

1. Deje que la plancha se enfríe.
2. Si no va a usar la plancha diariamente, vacíe el depósito de agua después de cada uso para obtener una mayor vida útil de la plancha. Para hacerlo, invierta la posición de la plancha para permitir que el agua salga por el orificio de llenado. Sacuda suavemente la plancha para retirar las gotas de agua que hayan quedado atrapadas.
3. Enrolle el cable de alimentación sueltamente alrededor de su base y guarde la plancha sobre su talón de apoyo.

**Importante:** El enrollar el cable demasiado apretado alrededor de la plancha puede dañar el cable.

**Recomendación:** Cuando no vaya a planchar, siempre establezca el disco selector del vapor (Steam) en la posición DRY (seco) y el disco selector de tela (Fabric) en la posición OFF (apagado).

## Mantenimiento de la Plancha

### LIMPIEZA DE LA PLACA DE BASE

Limpie la placa de base si se acumula almidón u otros residuos.

Para limpiar la Placa de Base:

1. Deje que la plancha se enfríe y luego límpiela con un paño suave y húmedo.

**ADVERTENCIA: NO use limpiadores abrasivos, almohadillas raspadoras abrasivas ni vinagre para limpiar la placa de base, ya que esto dañará el acabado.**

2. Pase la plancha sobre un paño de algodón exclusivamente para retirar los residuos.

# Recomendaciones para el Planchado

- Siempre lea las etiquetas de la prenda y siga las instrucciones de planchando del fabricante.
- Clasifique las prendas que va a planchar según el tipo de tela.
- Primero debe planchar las prendas que requieren baja temperatura (por ejemplo, las prendas de seda y tela sintética) a fin de evitar dañarlas con una plancha que esté demasiado caliente.
- Si no está seguro de cuál es el contenido de la tela de una prenda, pruebe planchando un área pequeña, como por ejemplo una costura o guarnición, antes de planchar un área visible. Empiece con una temperatura baja y aumentela gradualmente hasta encontrar la temperatura apropiada.
- Cuando cambie la temperatura de un valor alto a un valor bajo, deje pasar aproximadamente 5 minutos para llegar a la temperatura menor.
- Cuando planche al vapor, utilice pasadas largas y lentas de la plancha sobre la tela. Esto permitirá que el vapor penetre en la tela y que el calor de la placa de base seque la humedad.
- Para planchar prendas de lino, voltee de adentro para afuera la prenda. Tenga cuidado de no usar una plancha demasiado caliente porque el forro puede fusionarse o adherirse a la placa de base.
- Para planchar cremalleras, use un paño de planchar o asegúrese de que la cremallera esté cerrada y planche sobre la solapa. Nunca planche directamente sobre una cremallera desprotegida.
- Use la Guía de Planchado que se proporciona en la Página 10 para seleccionar el mejor método y regulación para la tela que va a planchar.

# GUÍA DE PLANCHADO

Tela	Selección de Vapor	Selección de Tela	Recomendaciones de Planchado
Acrílico	Dry (Seco)	Synthetic (Sintética)	Planche la prenda por el revés.
Acetato	Dry (Seco)	Synthetic (Sintética)	Planche la prenda por el revés mientras está húmeda.
Viscosa	Dry (Seco)	Synthetic (Sintética)	Planche la prenda principalmente en o seco; se puede usar vapor según las instrucciones del fabricante de la prenda.
Nylon	Dry (Seco)	Synthetic (Sintética)	Planche la prenda por el revés mientras está húmeda.
Poliéster	Dry (Seco)	Synthetic (Sintética)	Planche la prenda por el revés mientras está húmeda.
Rayón	Dry (Seco)	Synthetic (Sintética)	Planche la prenda por el revés.
Seda	Dry (Seco)	Silk (Seda)	Planche la prenda por el revés. Use un paño de planchar* para evitar marcas brillosas.
Lana	Medium Steam (Vapor Medio)	Wool (Lana)	Planche la prenda por el revés o use un paño de planchar.*
Combinaciones de Lana	Medium Steam (Vapor Medio)	Wool (Lana)	Planche la prenda por el revés o use un paño de planchar.*
Combinaciones de Algodón	Medium Steam (Vapor Medio)	Cotton (Algodón)	Siga las instrucciones del fabricante de la prenda. Use la selección que corresponde a la fibra que requiere la selección más baja.
Corduroy	Medium Steam (Vapor Medio)	Cotton (Algodón)	Planche la prenda por el revés o use un paño de planchar* y luego cepille la prenda con la mano para levantar la textura de la tela.
Algodón	High Steam (Vapor Alto)	Cotton (Algodón)	Planche las telas oscuras por el revés para evitar marcas brillosas.
Lino	High Steam (Vapor Alto)	Linen (Lino)	Planche la prenda por el revés o use un paño de planchar* para evitar marcas brillosas (especialmente en telas oscuras).
Dril	High Steam (Vapor Alto)	Linen (Lino)	Use la función SPRAY MIST® y/o la función SHOT OF STEAM® a fin de lograr una penetración más profunda para eliminar las arrugas.

\*Un paño de planchar es una tela de algodón limpiada en seca que se coloca sobre la prenda que se está planchando para evitar que se vea brillante.

---

# GARANTÍA LIMITADA DE 1 AÑO

Sunbeam Products Inc. ("Sunbeam") garantiza que, por un período de **UN** año a partir de la fecha de compra, este producto estará libre de defectos en el material y en su fabricación. Bajo la opinión de Sunbeam, reparará o repondrá este producto o cualquier componente del mismo si se encuentra defectuoso durante el periodo de garantía. La reposición se hará con un producto o un componente nuevo o refabricado. Si el producto ya no está disponible, la reposición se hará con un producto similar de igual o mayor valor. Esta es su garantía exclusiva.

Esta garantía es válida para el comprador original a partir de la fecha de compra inicial y no es transferible. Guarde el recibo de compra original. La prueba de compra es requerida para obtener los servicios de garantía. Los vendedores de productos Sunbeam, los centros de servicio o tiendas que vendan productos Sunbeam no tienen el derecho de alterar, modificar o realizar ningún otro cambio a los términos y condiciones de esta garantía.

Esta garantía no cubre el desgaste por uso normal o daños de partes como resultado de lo siguiente: uso negligente o mala utilización del producto, uso con una corriente eléctrica o un voltaje inadecuados, uso contrario a las instrucciones de operación, desensambles, reparaciones o alteraciones que no sean hechas por Sunbeam o por un Centro de Servicio Autorizado. Además, la garantía no cubre desastres naturales tales como incendios, inundaciones, huracanes y tornados.

Sunbeam Products Inc. no se hace responsable por ningún daño emergente o incidental causado por el rompimiento de cualquier garantía expresa o implícita. Excepto al alcance prohibido por la ley aplicable, cualquier garantía implícita de comercialización o arreglo para un propósito particular, está limitada en duración de la garantía antes mencionada. Algunos estados, provincias o jurisdicciones no permiten la exclusión o limitación de daños emergentes o incidentales, o limitaciones en la duración de una garantía implícita, así que las limitaciones o exclusiones pueden no ser aplicables para usted. Esta garantía le da a usted derechos legales específicos y puede tener otros derechos que varían por estado, provincia y/o jurisdicción.

## **Cómo Obtener los Servicios de la Garantía**

Favor, **NO REGRESE ESTE PRODUCTO AL LUGAR DE COMPRA**. Lleve este producto a un centro de servicio autorizado Sunbeam. Usted puede encontrar el centro de servicio autorizado Sunbeam más cercano llamando al 1 800 458-8407, o visita el nuestro website a [www.sunbeam.com](http://www.sunbeam.com). Si un centro de servicio no se encuentra convenientemente localizado cerca de usted, pegue una etiqueta al producto que incluya su nombre, dirección, teléfono donde se encuentra durante el día y descripción del problema. Incluya una copia del recibo original de compra. Empaque cuidadosamente el producto etiquetado con el precio e incluya el recibo de compra. Envíelo ya sea por el servicio de paquetería UPS o por correo, con los gastos de envío y seguro prepagados, a la dirección del centro de servicio autorizado Sunbeam.





**NO DEVUELVA ESTE PRODUCTO AL LUGAR DONDE LO COMPRÓ**

Para preguntas sobre los productos:

Sunbeam Consumer Service

P. O. Box 948389

Maitland, FL 32794-8389

1.800.458.8407

[www.sunbeam.com](http://www.sunbeam.com)

**NO ENVÍE EL PRODUCTO A LA DIRECCIÓN ANTERIOR**

©2001 Sunbeam Products, Inc. Todos los derechos reservados.

SUNBEAM® y SPRAY MIST® son marcas registradas de Sunbeam Products, Inc.

Distribuido por Sunbeam Products, Inc.

Boca Raton, FL 33431