

*Sunbeam*

# Eggo

## Egg Cooker and Poacher

Instruction Booklet

EC2600

Please read these instructions carefully  
and retain for future reference.



# Contents

<b>Sunbeam's Safety Precautions</b>	<b>3</b>
<b>Features of your Sunbeam Eggo</b>	<b>4</b>
<b>Using your Eggo</b>	<b>6</b>
<b>Using your Eggo Cooker &amp; Poacher</b>	<b>7</b>
<b>Care and Cleaning</b>	<b>7</b>

## Important instructions – retain for future use.

تأكد من تفهم احتياطات السلامة المذكورة اعلاه

請務必理解上述的安全預防措施。

Assurez-vous que les précautions ci-dessus relatives à la sécurité sont bien comprises

Versichern Sie sich, dass die obenstehenden Sicherheitsmaßnahmen verstanden werden

Βεβαιώνετε πως οι παραπάνω προφυλάξεις ασφαλείας γίνονται κατανοητές

Pastikan bahwa tindakan-tindakan keselamatan seperti di atas dimengerti anda

Accertatevi che le suddette norme di sicurezza siano comprese a dovere

上記の注意事項をよくお読みになり、安全を御確認ください

Уверете се дека погоре споменатите мерки на претпазливост се добро разбрани

Asegúrese de que las precauciones de seguridad precedentes sean bien comprendidas

کاری بکنید کہ احتیاطهای بالا حتماً درک بشوند

ต้องแน่ใจว่า ข้อควรระวังเรื่องความปลอดภัยข้างต้น เป็นที่เข้าใจกันดี

Yukarda belirtilen güvenlik önlemlerinin anlaşıldığından emin olunuz

Xin kiểm chắc rằng những biện pháp làm an toàn kể trên được hiểu rõ

# Sunbeam's Safety Precautions

## SAFETY PRECAUTIONS FOR YOUR SUNBEAM EGGO.

- This appliance is not a toy.
- Always operate on a flat level surface.
- Do not place any part of this appliance in a dishwasher.

**Sunbeam is very safety conscious when designing and manufacturing consumer products, but it is essential that the product user also exercise care when using an electrical appliance. Listed below are precautions which are essential for the safe use of an electrical appliance:**

- Read carefully and save all the instructions provided with an appliance.
- Always turn the power off at the power outlet before you insert or remove a plug. Remove by grasping the plug - do not pull on the cord.
- Turn the power off and remove the plug when the appliance is not in use and before cleaning.
- Do not use your appliance with an extension cord unless this cord has been checked and tested by a qualified technician or service person.
- Always use your appliance from a power outlet of the voltage (A.C. only) marked on the appliance.
- This appliance is not intended for use by persons (including children) with reduced physical, sensory or mental capabilities, or lack of experience and knowledge, unless they have been given supervision or instruction concerning use of the appliance by a person responsible for their safety.
- Children should be supervised to ensure that they do not play with the appliance.
- The temperature of accessible surfaces may be high when the appliance is operating.
- Never leave an appliance unattended while in use.
- Do not fill more than the maximum required water.
- Avoid injuries from the piercing pin.
- Do not remove lid whilst the water is boiling.
- Do not use an appliance for any purpose other than its intended use.
- Do not place an appliance on or near a hot gas flame, electric element or on a heated oven.
- Do not place on top of any other appliance.
- Do not let the power cord of an appliance hang over the edge of a table or bench top or touch any hot surface.
- Do not operate any electrical appliance with a damaged cord or after the appliance has been damaged in any manner. If damage is suspected, return the appliance to the nearest Sunbeam Appointed Service Centre for examination, repair or adjustment.
- For additional protection, Sunbeam recommend the use of a residual current device (RCD) with a tripping current not exceeding 30mA in the electrical circuit supplying power to your appliances.
- Do not immerse the appliance in water or any other liquid unless recommended.
- Appliances are not intended to be operated by means of an external timer or separate remote control system.
- This appliance is intended to be used in household and similar applications such as: staff kitchen areas in shops, offices and other working environments; farm houses; by clients in hotels, motels and other residential type environments; bed and breakfast type environments.

If you have any concerns regarding the performance and use of your appliance, please visit [www.sunbeam.com.au](http://www.sunbeam.com.au) or contact the Sunbeam Consumer Service Line.

Ensure the above safety precautions are understood.

# Features of your Eggo

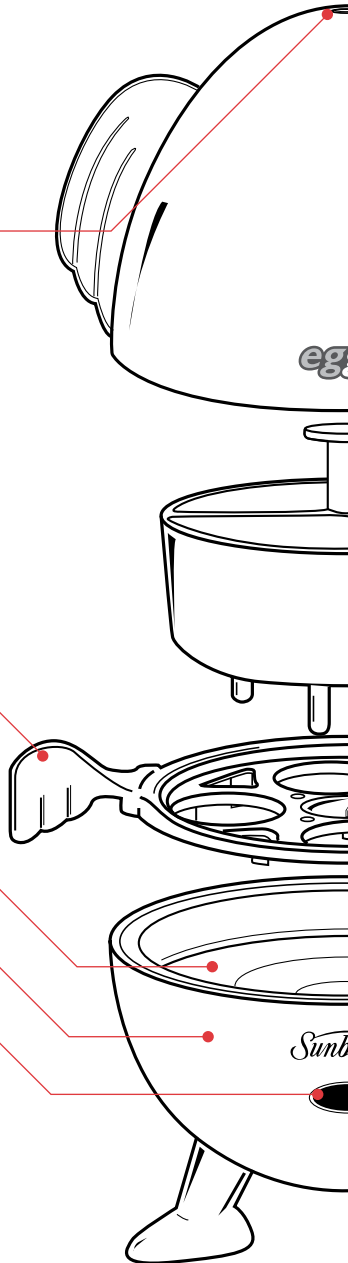
**Steam hole**

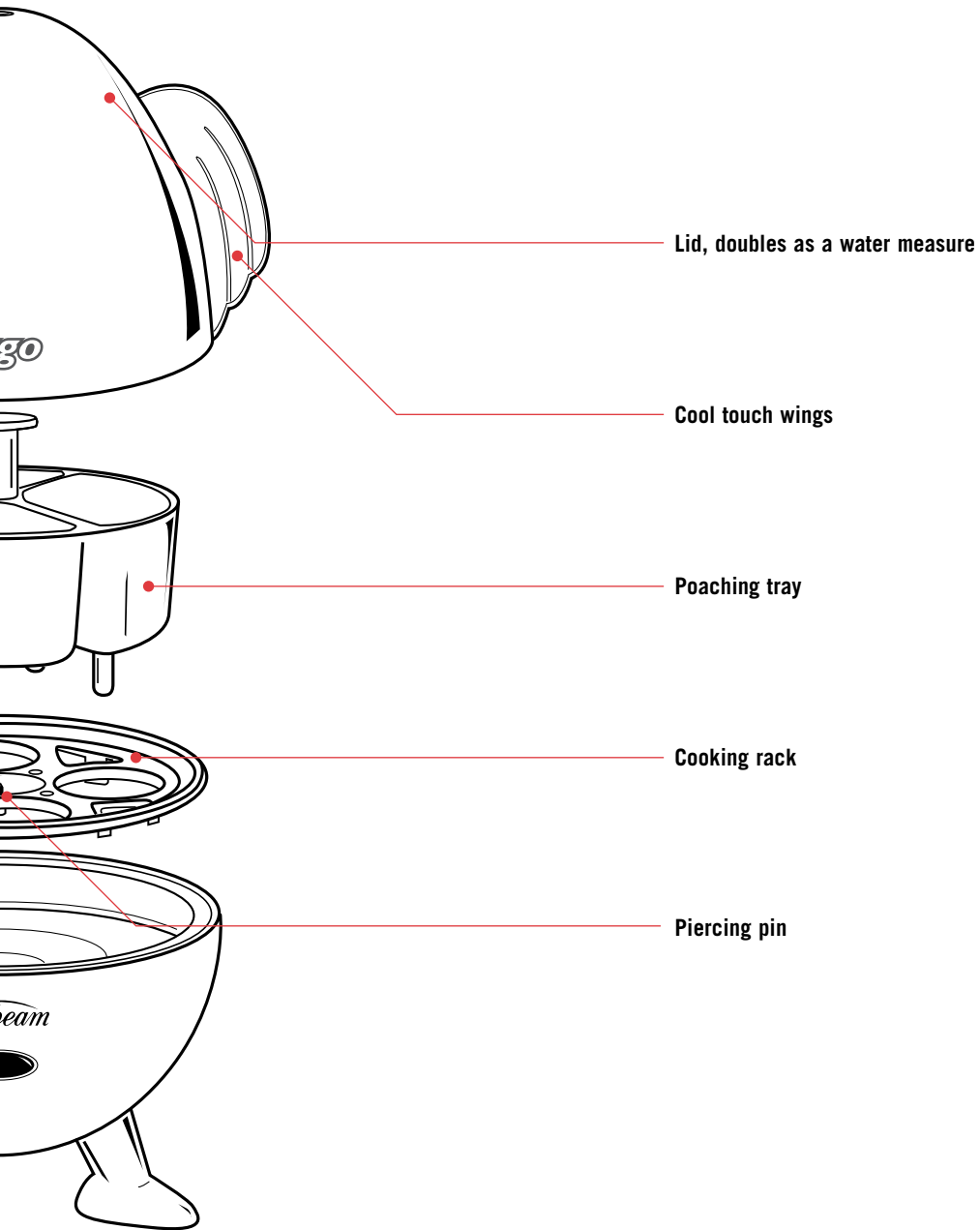
**Cool touch tail**

**Heater plate**

**Base**

**Neon light**





# Using your Eggo

## Before the first use

Wipe over the surface of the heater plate with a smooth damp cloth. Wash the plastic parts in warm soapy water, rinse and dry.

## To Cook

1. Place the base of the appliance on a dry, flat level surface.
2. Using the lid of the Eggo, turn the lid around and close the steaming hole with your finger. Measure the amount of water required using the markings on the lid as a guide (see table below for correct water quantities).
3. Pour the water into the heater plate of the Eggo.
4. Place the cooking rack on a flat counter surface.
5. Pierce the large end of each egg with the piercing pin in the cooking rack.

**Note:** This will prevent the eggshell from cracking while the eggs are cooking.

**Caution:** Avoid injuries from the piercing pin.

6. Place eggs pierced end up in the cooking rack.
7. Place cooking rack on base and cover with lid.

**Note:** Without the lid on the eggs will not cook properly.

8. Insert the plug into a 230-240V power outlet and turn the power on. The indicator light will glow, indicating the eggs are cooking.

**Warning:** Do not remove lid whilst the water is boiling.

9. Once all the water has evaporated the Eggo will “tweet” signalling that the eggs are ready.
10. Unplug the Eggo.
11. Take the lid from the Eggo using the cool touch wings.
12. While eggs are still on the cooking rack, rinse briefly under cold water and serve immediately.

## To Poach

1. Place the base of the appliance on a dry, flat level surface.
  2. Using the lid of the Eggo, turn the lid around and close the steaming hole with your finger. Measure the amount of water required using the markings on the lid as a guide (see table below for correct water quantities).
  3. Pour the water into the heater plate of the Eggo.
  4. Lightly butter or oil the poaching sections to be used.
  5. Place the cooking rack on the base and fit the poaching tray on top, so that the legs of the poaching tray are in the centre of the egg holes.
  6. Break one egg at a time into each section of the poaching tray and cover with lid.
- Note:** Without the lid on the Eggo will not work.
7. Insert the plug into a 230-240V power outlet and turn the power on. The indicator light will glow, indicating the eggs are cooking.
  8. Once all the water has evaporated the unit will “tweet” signalling that the eggs are ready.
  9. Unplug the Eggo.
  10. Take the lid from the Eggo using the cool touch wings.
  11. Serve eggs immediately to avoid overcooking.

**WARNING:** This appliance is not a toy. Please do not leave children unattended near the appliance while in use, or while it is cooling after use.

**Important:** Cooking times may vary and are affected by factors such as:

- Number and size of eggs
- Temperature of the eggs prior to cooking
- Temperature and amount of water used
- Altitude
- Length of time eggs remain in the egg cooker after the cooking cycle has completed.

# Using your Eggo Egg Cooker and Poacher

No. of boiled eggs	Water Quantities		
	Soft	Medium	Hard
1 egg	50ml	65ml	90ml
2 egg	45ml	60ml	85ml
3 egg	40ml	55ml	80ml
4 egg	35ml	50ml	75ml
Poached eggs			
1 egg			90ml
2 egg			80ml
3 egg			70ml

**Important:** When using the Eggo lid to measure the amount of water required, you will need to cover the steaming hole with your finger.

## Care and Cleaning

### • To clean the plastic parts

Wash the cover, egg rack and poaching tray in warm soapy water, rinse and dry thoroughly.

### • To clean the heating vessel

Wipe over with a damp cloth. Do not use harsh abrasives as these will scratch the non-stick surface.

**WARNING: Do not immerse the body of the Eggo in water or any other liquid.**

Do not clean any parts of this appliance in a dishwasher as the high temperatures reached may distort the plastic.

# Notes



# Notes

# Notes

# 12 Month Replacement Guarantee

In the unlikely event that this appliance develops any malfunction within 12 months of purchase (3 months commercial use) due to faulty materials or manufacture, we will replace it for you free of charge.

Should you experience any difficulties with your appliance, please phone our customer service line for advice on 1300 881 861 in Australia, or 0800 786 232 in New Zealand.

Your Sunbeam 12 Month Replacement Guarantee naturally does not cover misuse or negligent handling, and excludes breakables such as glass or ceramic items and normal wear and tear.

Similarly, your 12 Month Replacement Guarantee does not cover damage to household surfaces as a result of water or other substances leaking from your appliance, nor does it cover freight costs.

In Australia, this guarantee is additional to the conditions and guarantees which are mandatory as implied under the Trade Practices Act 1974 and State and Territory legislation.

Should your appliance require repair or service after the guarantee period, contact your nearest Sunbeam service centre.

For a complete list of Sunbeam's authorised service centres visit our website or call:

## **Australia**

[www.sunbeam.com.au](http://www.sunbeam.com.au)  
1300 881 861

## **New Zealand**

[www.sunbeam.co.nz](http://www.sunbeam.co.nz)  
0800 786 232

## Need help with your appliance?

Contact our customer service team or visit our website for information and tips on getting the most from your appliance.

### **In Australia**


Visit [www.sunbeam.com.au](http://www.sunbeam.com.au)

Or call 1300 881 861

### **In New Zealand**

Visit [www.sunbeam.co.nz](http://www.sunbeam.co.nz)

Or call 0800 786 232

 is a registered trademark.

'Eggo' is a trademark of Sunbeam Corporation.  
Made in China.

Due to minor changes in design or otherwise,  
the product may differ from the one shown in this leaflet.

© Copyright. Sunbeam Corporation Limited 2006.

ABN 45 000 006 771

Sunbeam Corporation is a division of GUD Holdings Ltd.