



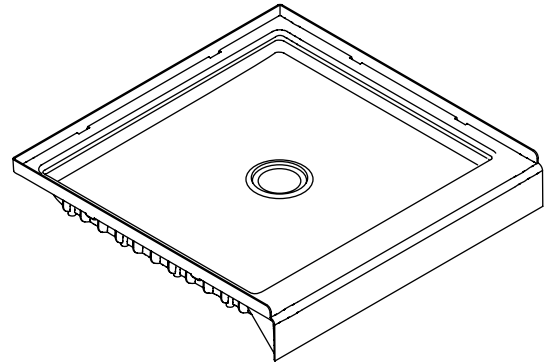
A KOHLER COMPANY

ENSEMBLE™

Features

- Compression molded from Sterling's exclusive solid Vikrell® material
- Lightly pebbled bottom surface for sure footing
- Durable high gloss finish
- 10 year consumer/3 year commercial limited warranty
- Center drain
- 36" (91.4 cm) x 36" (91.4 cm) X 4-1/2" (11.4 cm) receptor rough-in dimensions include nailing flange
- 36" (91.4 cm) x 36" (91.4 cm) X 3-1/2" (8.9 cm) unit finished dimensions

36" (91.4 cm) x 36" (91.4 cm)
SHOWER RECEPTOR
72161100



Codes/Standards Applicable

Specified model meets or exceeds the following:

- ANSI Z124.2
- IAPMO/UPC
- CSA B45
- ASTM F462 Slip Resistance

Colors/Finishes

- 0: White
- Other: Refer to Price Book for additional colors/finishes

Specified Model

Model	Description	Colors/Finishes	
72161100	36" (91.4 cm) x 36" (91.4 cm) shower receptor, center drain	<input type="checkbox"/> 0	<input type="checkbox"/> Other_____

SterlingPlumbing.com

Visit us online for fixture color choices, detailed product information, color photos, installation instructions, care guides, and warranties. Sterling offers additional lines of plumbing products to complement the Sterling product you've chosen. Sign up for the Sterling monthly e-newsletter which showcases our latest product innovations. You may also call our Sterling Plumbing Answer Center from within the USA at 1-888-STERLING in addition to consulting with your local dealer. Sterling. Strong. Professional. Design.

ENSEMBLE™

Technical Information

Basin area	Weight	Drain Hole
27-13/16" (70.6 cm) x 30-5/16" (77 cm)	25 lbs (12 kg)	3-5/16" (8.4 cm)

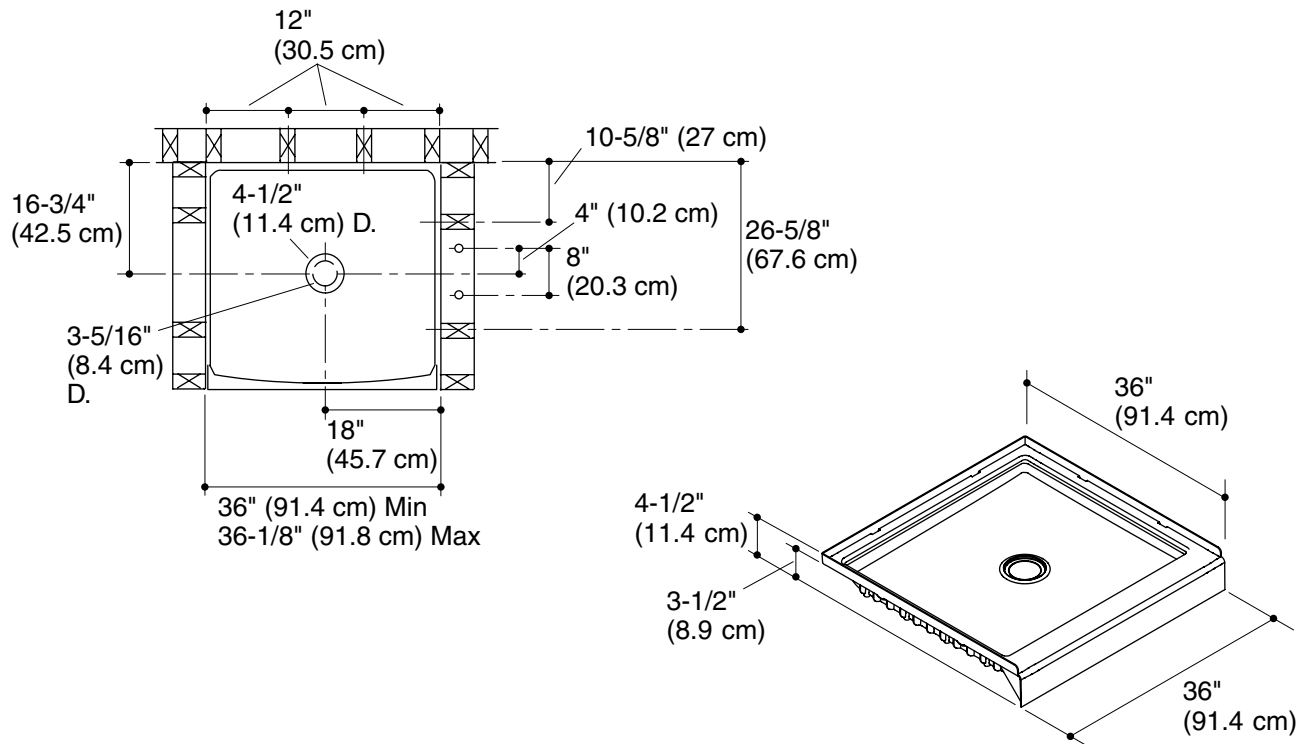
Installation Notes

Install this product according to the installation guide.

Size the drain cutout to fit the drain assembly that will be used.

Double studding is recommended for pivot shower door installations.

Studs should be positioned as shown.



Product Diagram