



A KOHLER COMPANY

**63" (160 cm) ADA COMPLIANT  
ROLL-IN SHOWER  
62060103**

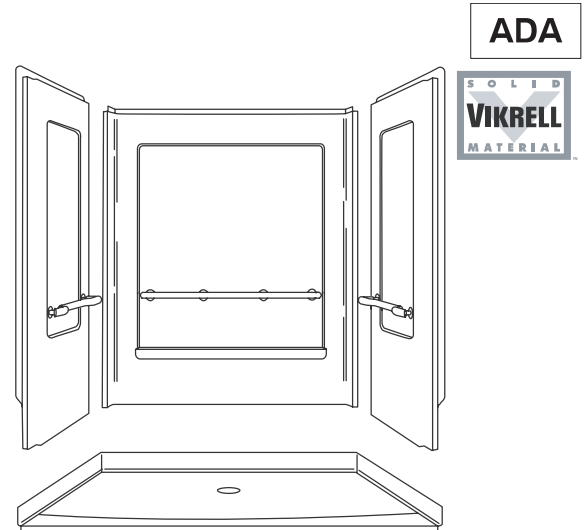
**Features**

- Modular 4-piece design
- Tongue-and-groove "snap together" design
- Factory installed stainless steel grab bars
- Engineered for ease of installation
- Compression molded from Sterling's exclusive solid Vikrell® material
- Lightly pebbled bottom surface for sure footing
- Durable swirl gloss finish
- 63-1/4" (160.7 cm) x 40-5/8" (103.2 cm) x 73-1/4" (186.1 cm) unit rough-in dimensions include flange
- 63-1/4" (160.7 cm) x 39-3/8" (100 cm) x 72" (182.9 cm) complete unit finished dimensions
- 1/2" (1.3 cm) low profile threshold for easy wheelchair access

**Codes/Standards Applicable**

Specified model meets or exceeds the following:

- ADA
- ASTM E162
- ASTM E662
- ICC/ANSI A117.1
- IAPMO/UPC
- HUD, UM Bulletin 73A
- NAHB Research Foundation, Inc.



**Colors/Finishes**

- 0: White
- Other: Refer to Price Book for additional colors/finishes

**Specified Model**

Model	Description	Colors/Finishes	
62060103	63" (160 cm) ADA compliant* shower receptor and wall surround, with grab bars	<input type="checkbox"/> 0	<input type="checkbox"/> Other_____

\*Product is shipped as ADA compliant with factory assembled grabs bars. When properly installed, the complete installation is ADA compliant. Components are also available separately but are provided only as ADA adaptable.

**SterlingPlumbing.com**

Visit us online for fixture color choices, detailed product information, color photos, installation instructions, care guides, and warranties. Sterling offers additional lines of plumbing products to complement the Sterling product you've chosen. Sign up for the Sterling monthly e-newsletter which showcases our latest product innovations. You may also call our Sterling Plumbing Answer Center from within the USA at 1-888-STERLING in addition to consulting with your local dealer. Sterling. Strong. Professional. Design.

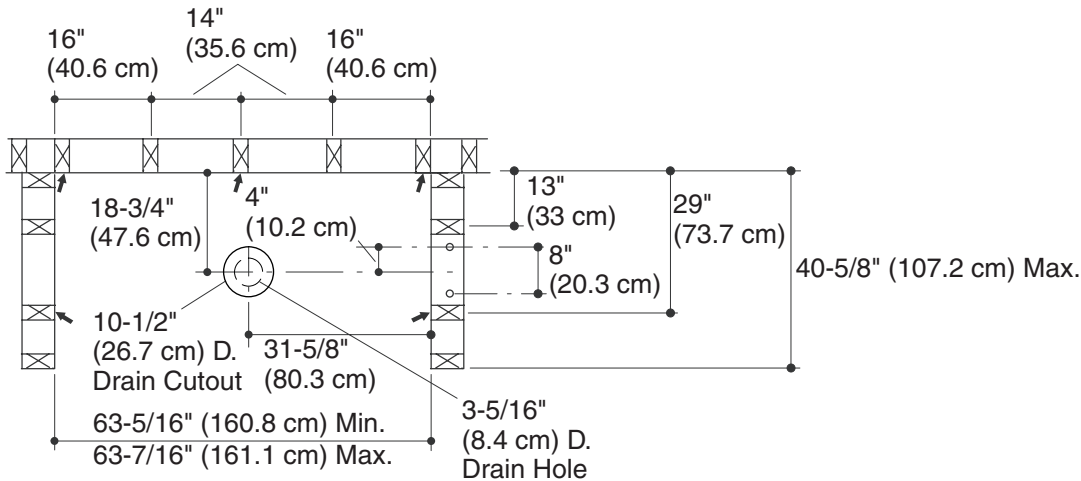
## Installation Notes

Install this product according to the installation guide.

Size the drain cutout to fit the drain assembly that will be used.

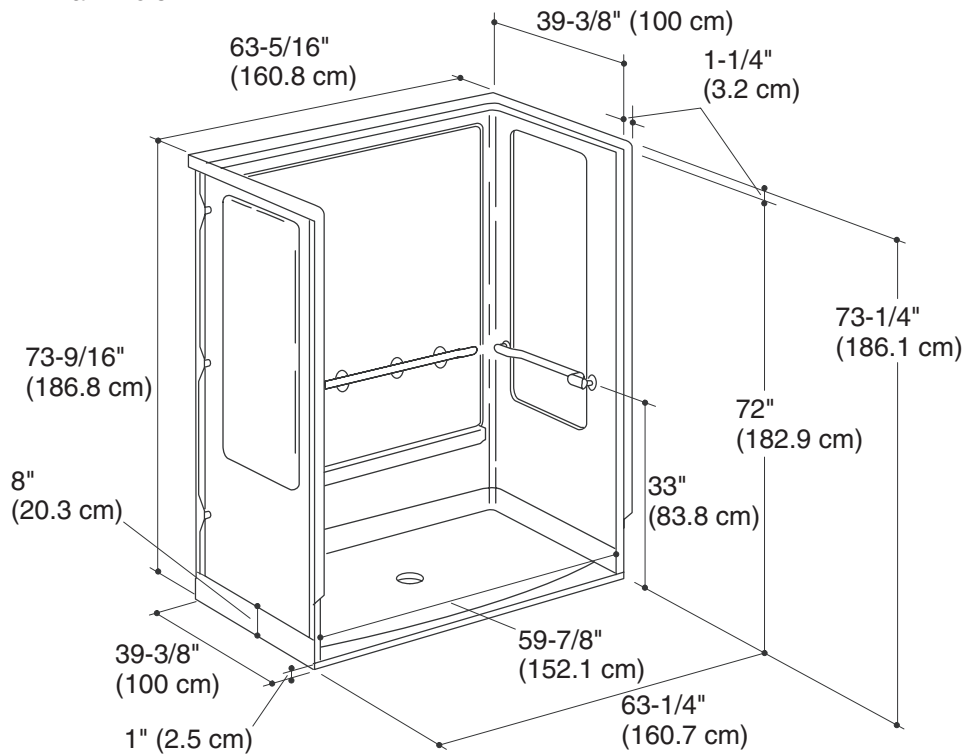
End stud positioning is critical if nailing-in flanges are to be used.

Studs should be positioned roughly as shown for roofing nail installation.



Recommended Roofing Nail Locations (5 total)

62060103



Product Diagram