

STERLING®

A KOHLER COMPANY

FINESSE™

Features

- CleanCoat™ glass coating
- Heavy-duty, anodized aluminum-framed glass doors
- Out-of-plumb adjustability allows for easy installation
- Aluminum components extruded from alloy 6063-T5
- 1/4" (6 mm) thick tempered glass
- Tempered glass ensures maximum safety and durability
- Two designer towel bars, located both inside and outside, enhance appearance and usability
- Reversible top track can be installed with either the round or flat side facing out
- Stainless steel hardware prevents rusting or corrosion

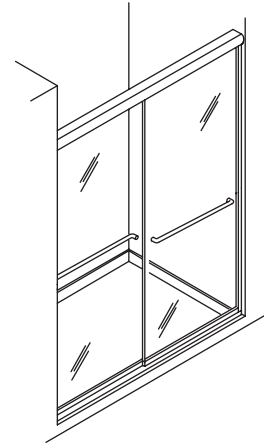
Codes/Standards Applicable

Specified model meets or exceeds the following:

- ANSI Z97.1 (tempered glass)
- CFR 1201

FRAMELESS BYPASS SHOWER DOOR

SP5465-45
ALSO SP5475-57



Colors/Finishes

- S: Silver
- PB: Polished Brass
- N: Nickel
- DR: Deep Bronze

Accessories:

- 0: White
- Other: Refer to Price Book for additional colors/finishes

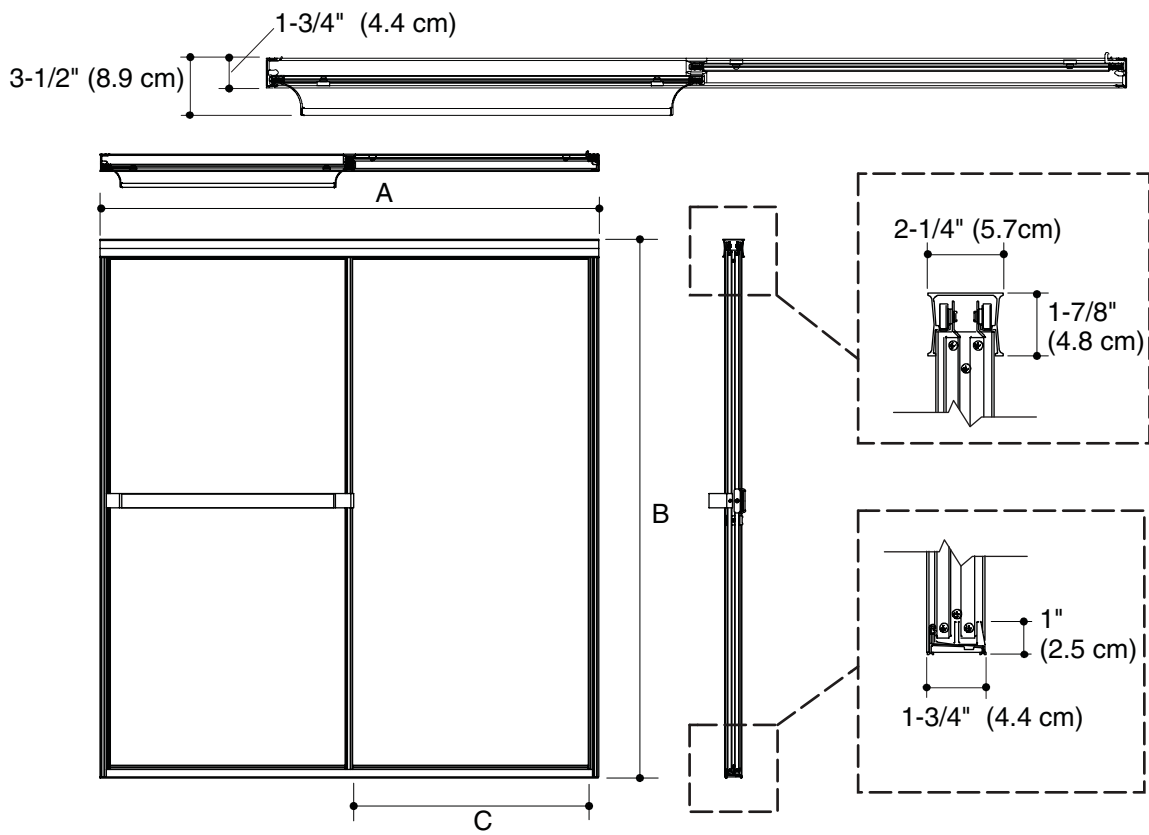
Specified Model

Model	Application	Glass Texture	Pattern	Frame Colors/Finishes			
SP5465-45*-G05	Shower	Smooth	Clear	<input type="checkbox"/> S	<input type="checkbox"/> PB	<input type="checkbox"/> N	<input type="checkbox"/> DR
SP5475-57*-G05	Shower	Smooth	Clear	<input type="checkbox"/> S	<input type="checkbox"/> PB	<input type="checkbox"/> N	<input type="checkbox"/> DR
* Note: Add appropriate frame color/finish code to the end of the unit model # when ordering							

Recommended Accessories		Colors/Finishes	
62030100	Advantage 48" Shower Surround (SP5465-45*)	<input type="checkbox"/> 0	<input type="checkbox"/> Other ____
62040100	Advantage 60" Shower Surround (SP5475-57*)	<input type="checkbox"/> 0	<input type="checkbox"/> Other ____

Technical Information

Model	A (max width)	B (height)	C (walk through max)
SP5465-45	45-3/8" (115.3 cm)	65-1/4" (165.7 cm)	20-1/4" (51.4 cm)
SP5475-57	57" (144.8 cm)	70-1/16" (178 cm)	26-1/8" (66.4 cm)



Product Diagram