

STERLING®

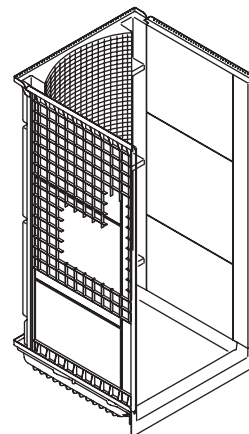
A KOHLER COMPANY

ACCORD®

Features

- Compression molded from Sterling's exclusive solid Vikrell® material
- Modular 4-piece design
- Pivot "snap together" installation
- Caulkless installation
- Convenient shelves provide generous storage
- Durable high gloss finish
- Lightly pebbled bottom surface for sure footing
- 10-year consumer/3-year commercial limited warranty
- Wall surround allows for attachment of grab bars
- 36-1/8" (91.8 cm) x 37-1/4" (94.6 cm) x 77" (195.6 cm) rough-in dimensions include nailing flange
- 36" (91.4 cm) x 36" (91.4 cm) x 71-1/4" (181 cm) complete unit finished dimensions

36" (91.4 cm) RECEPTOR AND SURROUND W/BACKER BOARDS 72240106



Codes/Standards Applicable

Specified model meets or exceeds the following:

- ANSI Z124.1.2
- IAPMO/UPC
- CSA B45

Colors/Finishes

- 0: White
- Other: Refer to Price Book for additional colors/finishes

Specified Model

Model	Complete Unit Description	Colors/Finishes	
72240106	36" (91.4 cm) shower receptor and wall surround with backer boards	<input type="checkbox"/> 0	<input type="checkbox"/> Other _____

Model	Wall Component Description	Colors/Finishes	
72242100	36" (91.4 cm) Backwall	<input type="checkbox"/> 0	<input type="checkbox"/> Other _____
72241100	36" (91.4 cm) Receptor	<input type="checkbox"/> 0	<input type="checkbox"/> Other _____
72245106	Endwall set with backer boards	<input type="checkbox"/> 0	<input type="checkbox"/> Other _____

Technical Information

Model	door maximum width	door maximum height
72240106	32-5/8" (82.9 cm)	72" (182.9 cm)

Installation Notes

Install this product according to the installation guide.

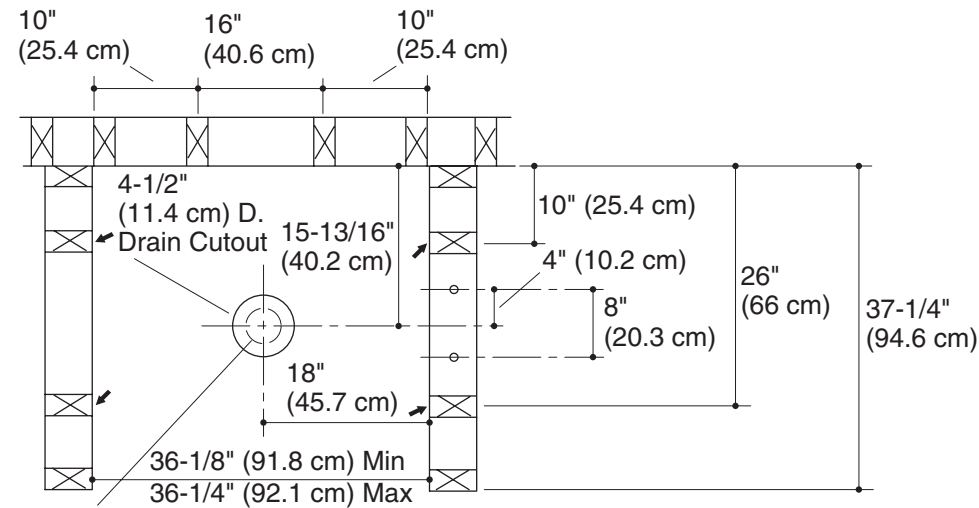
Size the drain cutout to fit the drain assembly that will be used.

End stud positioning is critical if nailing-in flanges are to be used.

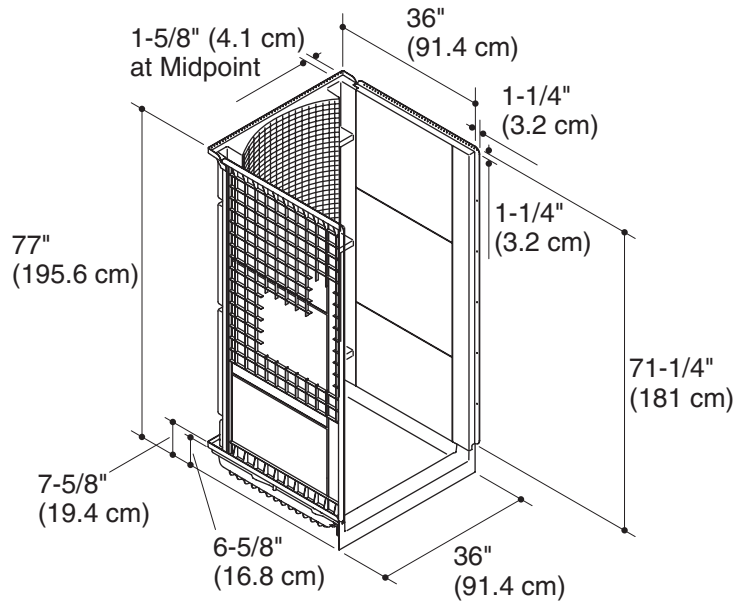
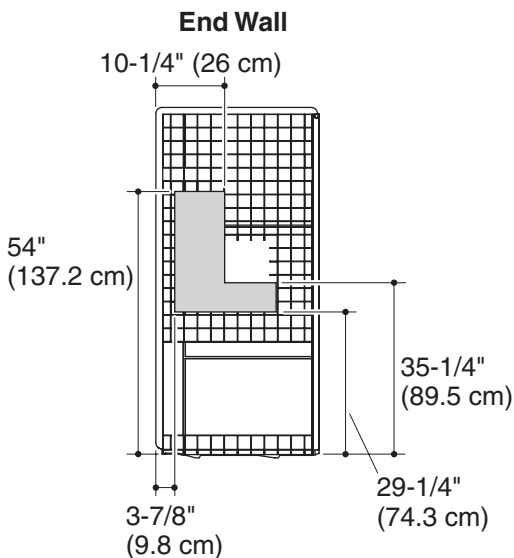
Double studding is recommended for pivot shower door installations.

Studs should be positioned roughly as shown for roofing nail use.

Receptor cannot be installed without the wall surround.



3-5/16" (8.4 cm) OD Drain Hole
 Recommended Roofing Nail Locations (4 total)



Product Diagram