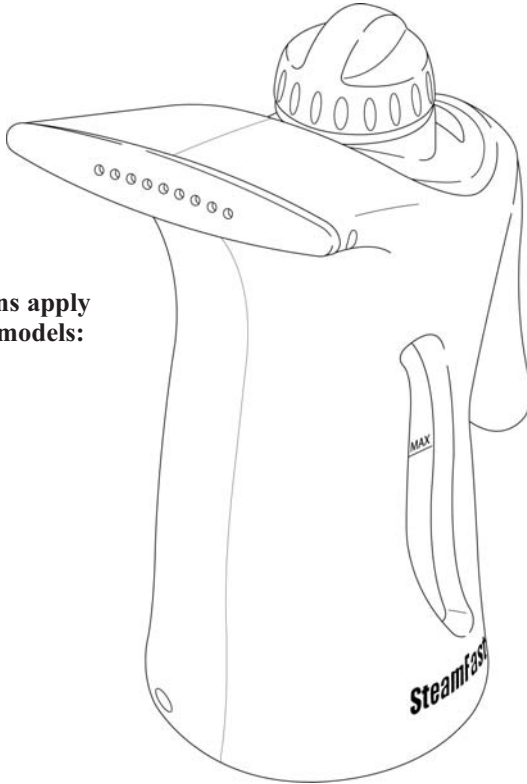


MODEL SF-435

SteamFast

Compact Fabric Steamer



These instructions apply to the following models:

- SF-435W (white)
- SF-435B (blue)
- SF-435P (pink)
- SF-435S (sage)

by Top Innovations, Inc.

**Please read all instructions before use.
Mail in your warranty registration card.**

Dear Valued Customer,

Congratulations on purchasing the **SF-435 Compact Fabric Steamer**. This versatile and convenient product places the power of steam in a compact and lightweight appliance that is easy to take anywhere. It's the perfect travel companion for business trips and family vacations. It also works just as well right at home.

Plug in your **Compact Fabric Steamer** and in minutes you are ready to delicately remove wrinkles from garments, draperies and upholstery. In addition to smoothing fabrics, you will receive the many benefits that steam provides. Hot steam kills germs and bacteria that can be found on fabric. It also refreshes upholstery and eliminates smoke and other unpleasant odors, making your garments and furniture like new again. And when you're finished steaming, the **Compact Fabric Steamer's** light weight and compact size make it quick and convenient to store.

Top Innovations, Inc. would like to invite you to visit our Customer Support Web site at:

www.steamfast.com

On this Web site you will find additional information about many other exciting products that are available, helpful tips on ways in which you can utilize your **Compact Fabric Steamer**, and other useful information to assist you in maximizing the power of steam!

Enjoy your new **SF-435 Compact Fabric Steamer!**



Benny Lee
Chairman and CEO
Top Innovations, Inc.



WARNING: To reduce the risk of fire, electrical shock, or injury, the following basic safety precautions should always be followed when using an electrical appliance.

READ ALL INSTRUCTIONS BEFORE USING YOUR STEAMER

1. **DO NOT overfill unit with water.** Fill to MAX mark only (7 oz. / 207 ml.). Overfilling may result in burns from spilling water, or possible electrical shock.
2. DO NOT leave your SF-435 Compact Fabric Steamer unattended when plugged in or not in use. Use only for its intended purpose as indicated in this manual.
3. **⚠ This unit is not a toy. Close supervision is required when using unit near children, pets, and plants. Steam produced by unit is hot and pressurized. Care must be taken to avoid burns or other injuries. Never point nozzle at people or pets.**
4. To reduce the risk of contact with hot water emitting from steam vents, hold appliance away from body and check for signs of condensation or leakage.
5. DO NOT use this unit if electrical cord or outlet is damaged. DO NOT use unit if it is not working properly or has been dropped, damaged or left outdoors. If such damage occurs, DO NOT disassemble or attempt repairs, take unit to a qualified service person for examination and repair. Incorrect reassembly or repair could cause a risk of fire, electrical shock, or injury to persons when steamer is used.
6. To reduce risk of electrical shock, DO NOT immerse in water or other liquids. DO NOT use electrical cord as a handle. DO NOT allow cord to be crimped by closing it in doors. DO NOT pull or stretch cord around sharp corners or edges.
7. Do not allow cord to touch hot surfaces. Let appliance cool completely before putting away. Loop cord loosely around appliance when storing.
8. DO NOT use this unit with extension cords or electrical outlets that have inadequate current capacity. A three-prong outlet or a properly grounded adapter is necessary when using SF-435 Compact Fabric Steamer.

SAVE THESE INSTRUCTIONS!
FOR HOUSEHOLD USE ONLY



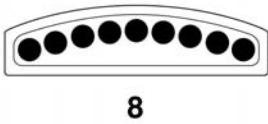
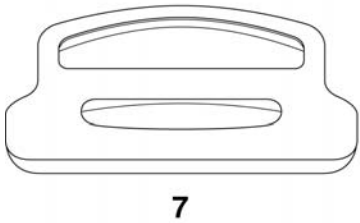
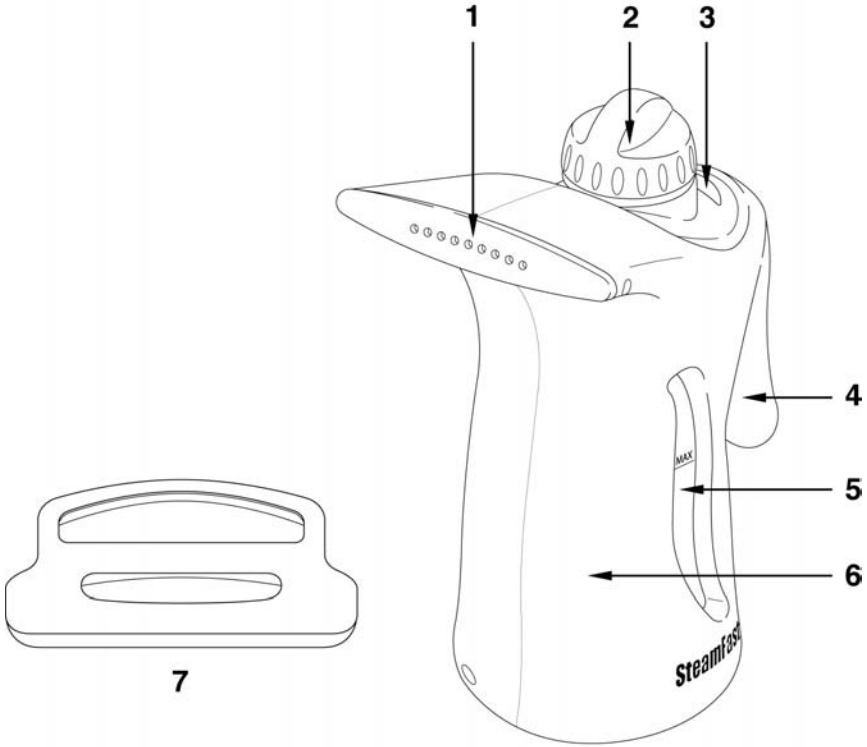
WARNING: To reduce the risk of electrical shock, this appliance has a three-pronged plug. This plug will fit in a polarized wall outlet only one way. If the plug does not fit fully in the outlet, contact a licensed electrician to install a proper outlet. **DO NOT** attempt to modify the plug or defeat this safety feature.

9. In order to unplug SF-435 Compact Fabric Steamer, grasp plug and pull smoothly and firmly from outlet. **DO NOT** attempt to unplug unit by pulling or tugging on cord.
10. Use care when using SF-435 Compact Fabric Steamer at an angle. Tilting unit more than 35 degrees in any direction may cause excess water to spray out of steam nozzle.
11. Burns could occur from touching hot metal parts, hot water or steam. Use care when you turn a steam appliance upside down - there may be hot water in Water Reservoir.
12. SF-435 Compact Fabric Steamer is only meant to be used with recommended SF-435 accessories. Other types of attachments are not to be used with Compact Fabric Steamer. Doing so may cause injuries or damage to unit.
13. Nozzle and attachments become hot during use. To avoid injuries, **DO NOT** touch nozzle while using this appliance. **DO NOT** attempt to change attachments while unit is emitting steam.
14. When filling your Compact Fabric Steamer with water, **DO NOT** fill Water Reservoir with more than 7 oz. (207 ml.) of water. Only water should be used in unit. Other cleaning agents will damage unit and can cause injuries.
15. Always disconnect appliance from electrical outlet when filling with water or emptying, and when not in use.
16. **DO NOT** operate unit if steam opening is blocked. Should this occur, immediately cease usage and unplug from electrical outlet.
17. Store your SF-435 Compact Fabric Steamer in a cool, dry place.

SAVE THESE INSTRUCTIONS!
FOR HOUSEHOLD USE ONLY

COMPACT FABRIC STEAMER PRODUCT INFORMATION

The following features and accessories are included with your Steamer. Carefully inspect packaging material as some parts are shipped inside Styrofoam packaging. To obtain possible missing parts, refer to the **Customer Support** section on page 10 of this manual.



- | UNIT FEATURES & ACCESSORIES | |
|-----------------------------|--------------------------|
| 1. | Steam Nozzle |
| 2. | Water Reservoir Cap |
| 3. | Heater Indicator Light |
| 4. | Handle |
| 5. | Reservoir Level Window |
| 6. | Water Reservoir |
| 7. | Rubber Accessory Housing |
| 8. | Fabric Brush |
| 9. | Lint Remover |

- The *Steam Nozzle* (1) emits a flow of hot, penetrating steam.
- The *Water Reservoir Cap* (2) safely contains steam within the *Water Reservoir*, and must be removed in order to fill the unit with water.
- The *Heater Indicator Light* (3) illuminates when the unit's heater is active.
- The *Handle* (4) is designed to stay relatively cool while providing the optimum amount of safety and user comfort.
- The *Reservoir Level Window* (5) lets the user clearly see how much water is in the *Water Reservoir*. It should not be filled above the MAX (7 oz. / 207 ml.) fill line.
- The *Water Reservoir* (6) is the tank in which water is stored for use by the unit.
- The *Rubber Accessory Housing* (7) is used for connecting the *Lint Remover* and *Fabric Brush* to the *Steam Nozzle*. Connecting the *Rubber Accessory Housing* along with the *Fabric Brush* or *Lint Remover* is required and will reduce excessive water spitting from the *Steam Nozzle*.
- The *Fabric Brush* (8) fits into the *Rubber Accessory Housing* and delicately smooths wrinkles from fabrics.
- The *Lint Remover* (9) fits into the *Rubber Accessory Housing*, and is useful for removing lint and loose threads from fabrics.

FILLING WATER RESERVOIR WITH WATER

1. Place Compact Fabric Steamer on a flat, level surface.
2. Make sure grounded power cord is unplugged from electrical outlet.
3. If unit has been in use, allow it to cool for at least 5 minutes.

WARNING: Always allow unit to cool before adding water. Cold water added to a hot boiler may cause hot water and steam to shoot out of fill hole.

4. Cautiously unscrew and remove Water Reservoir Cap.
5. Carefully fill Water Reservoir with water from a faucet or cup. Pay attention to water level in Water Reservoir using Reservoir Level Window on side of unit, and fill up to the MAX (7 oz. / 207 ml.) fill line.

NOTE: To prolong the life of your Compact Fabric Steamer, we recommend using distilled or de-mineralized water.

WARNING: Extreme caution should be used when pouring water into the Water Reservoir. Do not look directly down into fill hole when filling. Keep your free hand and any children or pets at a safe distance.

NOTE: Do not exceed the MAX fill line. Too much water in the Water Reservoir may cause excess water spitting in steam.

6. Replace Water Reservoir Cap, using care not to over-tighten it.

ATTACHING ACCESSORIES

1. Choose either the Lint Remover or Fabric Brush and insert it into Rubber Accessory Housing as shown (FIGURE 1).
2. Slide Rubber Accessory Housing (with inserted accessory) onto Steam Nozzle as shown (FIGURE 2). Make sure that holes on Steam Nozzle are aligned with open slot on Rubber Accessory Housing so that steam is not blocked.

NOTE: The steamer should only be used with these accessories attached to help reduce water spitting.

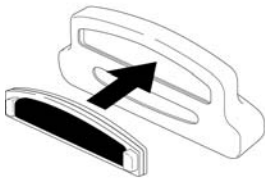


FIGURE 1

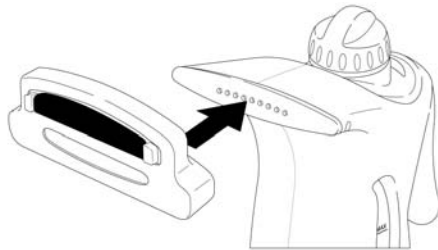


FIGURE 2

STEAMING LINENS & FABRICS

NOTE: Be sure that Water Reservoir has already been filled before following these steps. Also be sure that Rubber Accessory Housing is connected along with the Fabric Brush or Lint Remover, to reduce excessive water spitting from the Steam Nozzle.

1. Plug grounded power cord into a convenient electrical outlet. Heater Indicator Light will immediately illuminate to indicate that unit is heating up.

CAUTION: This unit uses a grounded (3-prong) electrical plug. Use only in properly installed 3-prong electrical outlets. Do not attempt to alter plug or circumvent this safety feature in any way.

2. After approximately 2 minutes of heating time, unit will begin emitting steam.
3. Direct Steam Nozzle (and any attachments) towards material you wish to steam.

CAUTION: Always be sure that Steam Nozzle and any other attachments are pointed in a safe direction (away from yourself, other people, pets and plants) when steam is being emitted.

4. Keep the flow of steam focused on the material you are steaming. Using a slight back-and-forth motion over the area you are steaming will further enhance the process.

Steaming Tips:

- Curtains and draperies can be steamed while still hanging.
- To remove wrinkles from towels, handkerchiefs and napkins, drape them over a rod or towel rack and gently steam them.
- Heavier fabrics may require repeated steaming to achieve desired results.
- To remove exceptionally stubborn wrinkles, steam both sides of fabric.
- Be especially careful when steaming delicate fabrics and those likely to be damaged by water spotting.

STEAMING GARMENTS

1. Place garment on a clean, rust-free hanger.
2. Direct Steam Nozzle towards bottom of garment. Steam will rise along inside and outside of fabric, removing wrinkles. Slowly slide Steam Nozzle upward from bottom to top of garment.
3. Direct Steam Nozzle away from garment and smooth fabric with your free hand.
4. Repeat as necessary until garment is wrinkle-free.

When you are finished using the Compact Fabric Steamer, immediately unplug grounded power cord from electrical outlet. Refer to **Care and Storage Guidelines** on page 9 of this manual for proper cleaning and storage procedures.

PROPER STORAGE

Preparing your Compact Fabric Steamer for storage is quick and simple. When you have finished your steaming tasks, follow the steps listed below.

1. Unplug grounded power cord from electrical outlet.
2. Allow unit to cool completely (at least 30 minutes).
3. Remove all attachments from unit.
4. Drain any remaining water in Water Reservoir into a sink or tub to minimize potential mineral build-up. Loosely reattach Water Reservoir Cap. Do not tighten cap, as it may be difficult to remove the next time you use the unit.
5. Store all attachments, preferably near Compact Fabric Steamer.
6. Store Compact Fabric Steamer in a cool, dry location.

REMOVING MINERAL BUILD-UP

A common problem with steam appliances is mineral build-up caused by high mineral content in many municipal water supplies. **The best way to avoid this is to use de-mineralized or distilled water in unit.** If you are unable to use de-mineralized or distilled water, we recommend you use this procedure monthly to help avoid mineral build-up:

1. Unplug grounded power cord from electrical outlet and allow unit to completely cool.
2. Remove all attachments from unit.
3. Remove Water Reservoir Cap and drain water from Water Reservoir into sink or tub.
4. Using a measuring cup, make a mixture of 4 oz. (118 ml.) vinegar and 4 oz. (118 ml.) water.
5. Slowly pour water-vinegar solution into Water Reservoir.
6. Allow to stand for 40 minutes.
7. Drain water-vinegar solution from Water Reservoir.
8. Rinse Water Reservoir with fresh water, drain and repeat until vinegar odor dissipates.
9. Replace Water Reservoir Cap.

PROBLEM	POSSIBLE CAUSE	SOLUTION
Unit fails to heat up.	Unit is not plugged in.	Plug into electrical outlet.
	Household Circuit Breaker / Ground Fault Interrupter has tripped or blown a fuse.	Reset Circuit Breaker / Ground Fault Interrupter, or replace fuse. If you need assistance, contact a licensed electrician.
Unit heats up, but fails to steam.	Water Reservoir is empty.	Refill Water Reservoir using procedures on page 7 of this manual.
	Mineral build-up in unit.	Follow Removing Mineral Build-Up procedure on page 9 of this manual.
Steam output is intermittent.	Mineral build-up in unit.	It is normal for unit to periodically stop steaming for a few seconds. If steam stays off for longer periods, follow Removing Mineral Build-Up procedure on page 9 of this manual.

CUSTOMER SUPPORT

For problems with your Compact Fabric Steamer, please refer to the troubleshooting solutions located above. Additional inquiries should be directed to our Customer Support services through our Web site, www.steamfast.com, on the Service Request Web page.

If you do not have internet access, you may also contact our Customer Support Department by telephone, at (800) 711-6617 or (816) 584-9700.

NOTE: In order for our customer service representatives to help you as quickly and efficiently as possible, please have the following information ready before calling:

- Purchase information (where and when you purchased this product)
- Product Serial Number

ONE YEAR LIMITED WARRANTY

(If outside USA, additional shipping charges may apply)

Top Innovations, Inc. warrants this product to be free from defects in material and workmanship for a period of one (1) year from the date of purchase. This warranty does not cover damage caused by misuse, negligence, use by improper current or voltage, commercial use, use contrary to operating instructions or disassembly, repair or alteration by any person other than Top Innovations, Inc. Warranty Service Department.

Top Innovations, Inc. will repair or replace, at its option. This warranty gives you specific legal rights and may have other rights, which may vary from state to state.

Performance of any obligation under this warranty may be obtained by:

1. Call (800) 711-6617 for Return Authorization Number before returning for repair. Failure to obtain a Return Authorization Number will cause a delay in warranty and out-of-warranty service requests.
2. Include copy of purchase receipt.
3. Include your name, address, telephone number, and Return Authorization Number on returned package.

Please send product postage-prepaid to:

**TOP INNOVATIONS, INC.
WARRANTY SERVICE DEPARTMENT
6655 TROOST AVE.
KANSAS CITY, MO 64131**

Should there be any missing or defective parts or accessories, please contact Customer Support. In most cases, it is not necessary to return the entire unit. We can ship most parts directly to your door.

Upon expiration of 1 year limited warranty, you will be advised of the cost of repair before any servicing is done, unless you enclose a note indicating that you would like us to proceed with repairs.

If you need to request warranty service, or have any questions about coverage under this warranty, please visit the Warranty Service Request page on our Web site www.steamfast.com. You may also contact the Warranty Service Department by telephone at (800) 711-6617 or (816) 584-9700, or e-mail customerservice@topinnovations.com.

Please have your product serial number ready before contacting Warranty Service Department. The serial number is located on the back or bottom of your unit.

SteamFast[®]

Top Innovations, Inc.

6655 Troost Ave.

Kansas City, MO 64131

Tel: (800) 711-6617

(816) 584-9700

www.steamfast.com

customerservice@topinnovations.com



Printed in China

PRODUCT SERIAL NUMBER

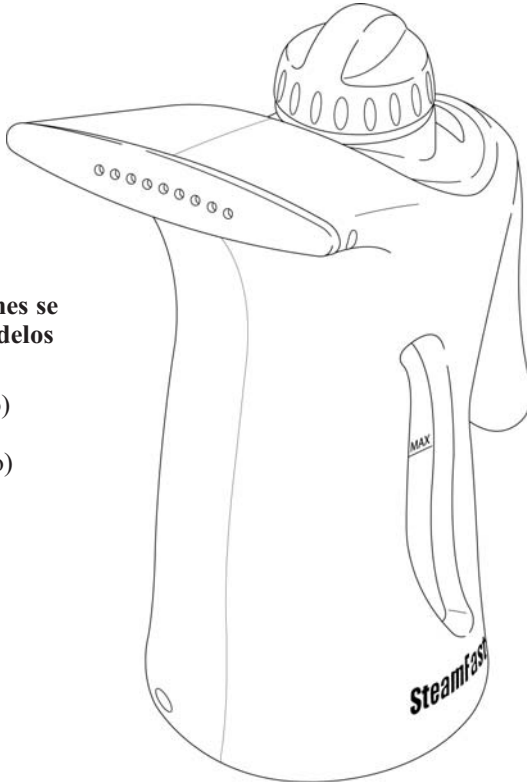
For your convenience, space has been provided below for you to record the serial number of your unit (located on the back or bottom of the unit) for easy reference when contacting our Customer Service Department.

_____ - _____

MODELO SF-435

SteamFast

Vaporizadora de Tela Compacta



Éstos instrucciones se aplican a los modelos siguientes:

- SF-435W (blanco)
- SF-435B (azul)
- SF-435P (rosado)
- SF-435S (sabio)

por Top Innovations, Inc.

**Por favor lea todas las instrucciones antes de usarse.
Envíe por correo su tarjeta de registraci3n de garantía.**

Estimado Valioso Cliente,

Felicitaciones en la compra de su nueva **Vaporizadora de Tela Compacta SF-435**.

Éste versátil y conveniente producto pone el poder de limpieza con vapor en un aparato compacto y ligero que es fácil llevar a cualquier lugar. Es el compañero perfecto para los viajes de negocios y las vacaciones familiares. También es muy conveniente en el hogar.

Enchufe su **Vaporizadora de Tela Compacta**, y en solo minutos usted estará listo para delicadamente quitar arrugas de prendas de vestir, cortinas y tapizados. Además de alisar las telas, usted va a gozar de las ventajas que el vapor provee. El vapor caliente mata los microbios, las bacterias y el moho. También refresca el tapizado y elimina el humo y otros olores desagradables, que hace que su alfombra y sus muebles huelan otra vez como nuevos. Cuando haya terminado usted de vaporizar, el poco peso y tamaño compacto de la **Vaporizadora de Tela Compacta** la hacen rápida y conveniente de almacenar.

A Top Innovations, Inc. le gustaría invitarlo a usted a que visite nuestro Sitio de Web de Apoyo al Cliente en:

www.steamfast.com

En este sitio de web usted encontrará información adicional acerca de muchos otros productos excitantes que están disponibles, consejos útiles de maneras en las cuales usted puede utilizar su **Vaporizadora de Tela Compacta**, y otras informaciones útiles para ayudarle a maximizar el poder del vapor!

¡Disfrute de su nueva **Vaporizadora de Tela Compacta SF-435!**



Benny Lee
Presidente y CEO
Top Innovations, Inc..



AVISO: Para reducir el riesgo de fuego, choques eléctricos o daños, debe de siempre seguir las siguientes precauciones básicas de seguridad cuando esté usando un aparato eléctrico.

LEA TODAS LAS INSTRUCCIONES ANTES DE USAR SU VAPORIZADORA

1. **NO SOBRELLENAR la unidad con el agua.** Llene al nivel MAX sólo (7 oz / 207 ml.). El sobrellenarla podría ocasionar quemaduras por derramar el agua, o un posible choque eléctrico.
2. NO DEJE su Vaporizadora de Tela Compacta SF-435 desatendida cuando esté enchufada o cuando no la esté utilizando. Úsela solo para su función intencionada tal como indica en este manual.
3. **⚠ Esta unidad no es un juguete. Se debe supervisar de cerca cuando use la unidad cerca de niños, mascotas y plantas. El vapor que la unidad produce está caliente y presurizado. Se debe tomar cuidado para evitar quemaduras u otras heridas. Nunca apunte con la boquilla a personas o mascotas.**
4. Para reducir el riesgo de contacto con el agua caliente que emiten las rejillas de vapor, mantenga el aparato alejado del cuerpo y verifique los signos de condensación o escape.
5. NO USE esta unidad si el cordón eléctrico o el enchufe está dañado. NO USE la unidad si no funciona apropiadamente o si ésta se ha caído, dañado, o dejado al aire libre. Si tal daño ocurre, NO la desarme ni intente reparaciones, lleve la unidad a un personal de servicio autorizado para examen y reparación. El armado o reparaciones incorrectas podrían causar un riesgo de fuego, choques eléctricos o heridas a personas cuando se use la vaporizadora.
6. Para reducir el riesgo de choque eléctrico, NO LO SUMERJA en el agua. NO USE el cordón eléctrico como asa. NO PERMITA que el cordón se rize por cerrarlo en las puertas. NO TIRE NI ESTIRE el cordón cuando éste se encuentre alrededor de esquinas o bordes agudos.
7. No permita que el cordón eléctrico toque superficies calientes. Deje que el aparato se enfríe completamente antes de que lo almacene. Enrosque el cordón holgadamente alrededor del aparato cuando lo almacene.
8. NO USE esta unidad con cordones de extensión ni con receptáculos eléctricos que tengan una capacidad de electricidad inadecuada. Un receptáculo de tres puntas o un adaptador bien conectado a tierra es necesario cuando esté usando la Vaporizadora de Tela Compacta SF-435.

¡GUARDE ESTAS INSTRUCCIONES!
PARA USO DOMÉSTICO SOLAMENTE

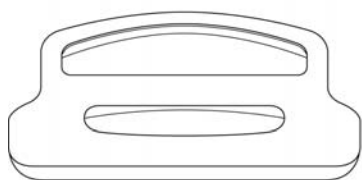
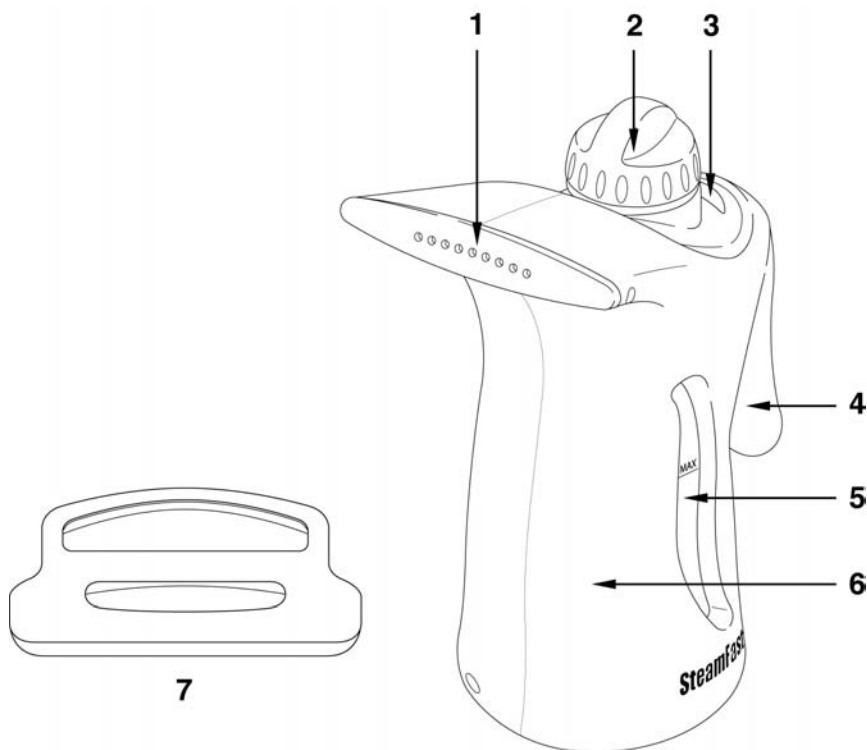
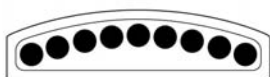


AVISO: Para reducir el riesgo de un choque eléctrico, éste aparato tiene un enchufe de tres puntas. Este enchufe cabrá en un receptáculo de pared polarizado de una sola manera. Si el enchufe no entra completamente en el receptáculo, contacte a un electricista licenciado para que instale un receptáculo apropiado. **NO TRATE** de modificar el enchufe o derrostrar.

9. Para desconectar la Vaporizadora de Tela Compacta SF-435, agarre el enchufe y tire gentil y firmemente del receptáculo. **NO INTENTE** desconectar la unidad tirando o arrastrando del cordón.
10. Tenga cuidado cuando use la Vaporizadora de Tela Compacta SF-435. El inclinar la unidad mas que 35 grados en cualquiera dirección podría causar que el exceso de agua salga atomizado de la boquilla de vapor.
11. Las quemaduras podrían ocurrir por tocar los partes de metal caliente o el agua caliente o el vapor. Tenga cuidado cuando ponga un aparato de vapor boca abajo- podría haber agua caliente en el Depósito de Agua.
12. La Vaporizadora de Tela Compacta SF-435 ha sido diseñada para ser utilizada solamente para uso con los accesorios recomendados del SF-435. No se deben usar otros tipo de accesorios con esta unidad. El hacerlo podría causar heridas o daños a la unidad.
13. Las boquillas y los accesorios se calientan durante el uso. Para evitir heridas, **NO TOQUE** las boquillas mientras usa este aparato. **NO TRATE DE** cambiar los accesorios mientras la unidad emite vapor.
14. Cuando llene su Vaporizadora de Tela Compacta con agua, **NO LLENE** el Depósito de Agua con más de 7 oz. (207 ml.) de agua. Sólo debe usarse agua en la unidad. Otros agentes de limpieza dañarán la unida y podrían causar heridas.
15. Siempre desconecte el aparato del enchufe eléctrico cuando lo llene con agua, cuando lo vacíe, y cuando no este en uso.
16. **NO OPERE** la unidad si la abertura del vapor está bloqueada. Si pasara esto, apague la unidad y desconéctela.
17. Guarde su Vaporizadora de Tela Compacta SF-435 en un lugar aireado y seco.

¡GUARDE ESTAS INSTRUCCIONES!
PARA USO DOMÉSTICO SOLAMENTE

Los siguientes artículos y accesorios están incluidos con su Vaporizadora de Tela.
Inspeccione cuidadosamente el material de embalaje ya que algunas piezas son enviadas dentro del embalaje de espuma de estireno. Para obtener piezas que posiblemente estén perdidas, refiérase a la sección de **Apoyo a Cliente** en la página 10 de éste manual.

**7****8****9****ARTÍCULOS Y ACCESORIOS
DE LA UNIDAD**

1. Boquilla de Vapor
2. Tapa del Depósito de Agua
3. Luz Indicadora Calor
4. Asa
5. Ventana al Nivel del Depósito
6. Depósito de Agua
7. Protector de Hule de Accesorios
8. Cepillo para Tela
9. Extractor de Pelusa

- La *Boquilla de Vapor* (1) emite un flujo de vapor caliente y penetrante.
- La *Tapa del Depósito de Agua* (2) contiene seguramente el vapor dentro del *Depósito de Agua*, y es necesario quitarla para llenar con agua la unidad.
- La *Luz Indicadora Calor* (3) se ilumina cuando la caldera de la unidad está activa.
- El *Asa* (4) está diseñada para mantenerse bien fría mientras provee la cantidad de seguridad y de comodidad óptima para el usuario.
- La *Ventana al Nivel del Depósito* (5) permite que el usante vea claramente cuanta agua hay en el *Depósito de Agua*. No debe de llenarlo más arriba que la línea de llenar MAX (7 oz / 207 ml.).
- El *Depósito de Agua* (6) es donde se guarda el agua para el uso de la unidad.
- Se usa el *Protector de Goma de los Accesorios* (7) para conectar a la *Boquilla de Vapor* el *Quitador de Pelusa* y el *Cepillo de Tela*.
- El *Cepillo de Tela* (8) calza en el *Protector de Hule de los Accesorios* y delicadamente alisa las arrugas de las telas.
- El *Extractor de Pelusa* (9) calza en el *Protector de Hule de los Accesorios*, y es útil para quitar la pelusa y los hilos sueltos de las telas.

LLENAR EL DEPÓSITO DE AGUA

1. Ponga la Vaporizadora de Tela Compacta en una superficie plana.
2. Asegúrese que el cordón eléctrico conectado a tierra está desconectado del receptáculo.
3. Si se ha usado la unidad, permita que esta se enfríe por lo menos 5 minutos.

AVISO: Siempre permita que la unidad se enfríe antes de añadir agua. El añadir el agua fría a una caldera caliente podría causar que agua caliente y vapor salgan disparados del agujero de llenado.

4. Cuidadosamente afloje y quite la Tapa del Depósito de Agua.
5. Cuidadosamente llene el Depósito de Agua con agua de una llave o un vaso. Preste atención al nivel de agua en el Depósito de Agua usando la Ventana del Nivel de Agua en el lado de la unidad, y llénelo hasta la línea de llenado MAX (7 oz. / 207 ml.).

NOTA: Para prolongar la vida de la unidad, recomendamos que use agua demineralizada o destilada.

AVISO: Se debe de tener mucho cuidado cuando vierta el agua en el Depósito de Agua. No mire directamente en el agujero de agua cuando lo llena. Mantenga su mano libre y todos los niños y mascotas a una sana distancia.

AVERTENCIA: No se exceda de la línea de llenado MAX. Demasiada agua puede causar que el exceso de agua salga rociada en vapor.

6. Reponga la Tapa del Depósito de Agua, teniendo cuidado de no apretarla demasiado.

MONTANDO LOS ACCESORIOS

1. Escoja o el Extractor de Pelusa o el Cepillo de Tela y métalo en el Protector de Hule de los Accesorios, como se muestra abajo (FIGURA 1)
2. Deslice el Protector de Hule de los Accesorios (con el accesorio metido) en la Boquilla de Vapor como se muestra abajo (FIGURA 2). Asegúrese que los agujeros en la Boquilla de Vapor se alineen con la ranura abierta en el Protector de Hule de los Accesorios de modo que el vapor no esté bloqueado.

NOTA: El sujetar los accesorios ayudará a reducir el agua chispeada en el vapor.

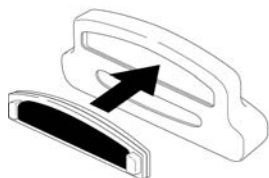


FIGURA 1

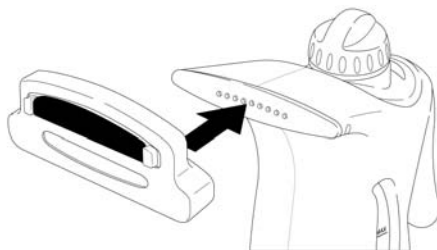


FIGURA 2

OPERANDO la Vaporizadora de Tela Compacta

NOTA: Asegúrese que el Depósito de Agua ya ha sido llenado y que todos los accesorios desados están conectados antes de continuar estos pasos.

1. Enchufe el cordón eléctrico en un receptáculo eléctrico conveniente. La Luz Indicadora de Calor iluminará inmediatamente.
AVISO: Esta unidad usa un enchufe eléctrico terrizado (de 3 puntas). Úselo solamente en un receptáculo de 3 puntas apropiadamente instalado. No intente alterar el enchufe ni burlar de cualquier modo esta característica de seguridad.
2. Después de aproximadamente 2 minutos de calentarse, la unidad comenzará a emitir vapor.
3. Dirija la Boquilla de Chorro de Vapor (u otros accesorios) hacia la superficie que desea vaporizar.

AVERTENCIA: Siempre asegúrese que la Boquilla de Vapor y cualquier otros accesorios están apuntados en una dirección segura (que no están apuntando hacia usted mismo, otra gente, mascotas, ni plantas) mientras emite el vapor.

4. Mantenga el flujo de vapor enfocado continuamente sobre el material que vaporiza. El usar de un movimiento ligero de vaivén sobre el área que está vaporizando realzará el proceso de limpieza.

Consejos Prácticos de Vaporizar

- Se puede vaporizar las cortinas y telones mientras están colgadas.
- Para quitar las arrugas de las toallas, los pañuelos y servilletas, colóquelos sobre un palo o un toallero y vaporícelos ligeramente.
- Las telas mas duras podrían requerir que las vaporice repetidamente para alcanzar los resultados desados.
- Para quitar arrugas excepcionalmente tercas, vaporice ambos lados de la tela.

VAPORIZANDO LAS PRENDAS DE VESTIR

1. Ponga la prenda de vestir en una percha sin óxido.
2. Dirija la Boquilla de Vapor hacia la parte inferior de la prenda. El vapor se subirá por el interior y el exterior de la tela, quitando las arrugas. Corra lentamente la boquilla en una dirección vertical, desde la parte inferior hasta la parte superior de la prenda.
3. Dirija la Boquilla de Vapor lejos de la prenda y alise la tela con su mano libre.
4. Repita cuantas veces sea necesario hasta que la prenda esté libre de arrugas.

Una vez que el quehacer de vaporizar esté terminado, desenchufe el cordón eléctrico terrizado del receptáculo eléctrico. Siga los pasos del procedimiento de **Almacenaje Apropiado** en la página 9 de este manual.

ALMACENAJE APROPRIADO

Preparar su Vaporizadora de Tela Compacta para el almacenaje es rápido y sencillo. Cuando haya completado sus quehaceres de vaporizado, siga los siguientes pasos:

1. Desconecte el cordón conectado a tierra del receptáculo.
2. Permita que la unidad se enfríe completamente. (por lo menos 30 minutos)
3. Desconecte todos los accesorios de la unidad.
4. Vacíe toda el agua que quede en el Depósito de Agua en un lavamanos o una bañera para evitar que se derrame en su próximo uso del aparato. Reemplace ligeramente la Tapa del Depósito de Agua. No apriete demasiado la tapa, porque podría ser difícil quitarla la próxima vez que use la unidad.
5. Almacene seguramente todos los accesorios, de preferencia cerca de la Vaporizadora de Tela Compacta.
6. Almacene la Vaporizadora de Tela Compacta en un lugar aireado y seco.

REMOVIENDO LA ACUMULACIÓN DE MINERALES

Un problema común con los aparatos de vapor es la acumulación de minerales causada por un alto contenido de minerales en muchos de los suministros municipales de agua. **La mejor manera de evitar esto es usando en la unidad agua de-mineralizada o destilada en la unidad.** Si no puede usar agua de-mineralizada o destilada, recomendamos que use este procedimiento mensualmente para ayudar a evitar la acumulación de minerales:

1. Desconecte el cordón eléctrico del receptáculo y permita que la unidad se enfríe completamente.
2. Quite todos los accesorios a la unidad.
3. Quite la Tapa del Depósito de Agua y vacíe el agua del Depósito de Agua en un lavamanos o una bañera.
4. Usando una jarra graduada, haga una mezcla de 4 oz. (118 ml.) de vinagre y 4 oz. (118 ml.) de agua.
5. Lentamente eche la solución de vinagre y agua en el Depósito de Agua.
6. Déjelo remojar por 40 minutos.
7. Vacíe la solución de agua-vinagre del Depósito de Agua.
8. Enjuague el Depósito de Agua con agua fría, vacíe, y repita hasta que el olor de vinagre de disipe.
9. Reemplace la tapa del Tanque de Agua.

PROBLEMA	CAUSA POSIBLE	SOLUCIÓN
La unidad no vaporiza.	La unidad no está enchufada.	Enchufe en un receptáculo.
	El cortacircuitos de su hogar / Interruptor se ha saltado o volado un fusible.	Reposicione el cortacircuitos / Interruptor o reemplaze el fusible. Si necesita ayuda, póngase en contacto con un electricista licenciado.
La unidad no vaporiza.	El Tanque de Agua está vacío.	Rellene el Tanque de Agua siguiendo los procedimientos que se encuentran en la página 7 de este manual.
	Hay acumulación de minerales en la unidad.	Siga el procedimiento Removiendo la Acumulación de Minerales que se encuentra en la página 9 de este manual.
La salida de vapor está intermitente.	Hay acumulación de minerales en la unidad.	Es normal que la unidad para de vaporizar periódicamente por unos segundos. Si el vapor queda parado por periodos más largos, Siga el procedimiento Removiendo la Acumulación de Minerales que se encuentra en la página 9 de este manual.

APOYO AL CLIENTE

Si tiene problemas con su Vaporizadora de Tela Compacta, por favor consulte las soluciones de resolver problemas localizadas abajo. Preguntas adicionales deben ser dirigidas a nuestros servicios de Apoyo al Cliente a través de nuestro sitio Web, www.steamfast.com, en la página Web de Servicios de Petición.

Si usted no tiene acceso al internet, también puede contactar nuestro departamento de Apoyo al Cliente por teléfono, al (800) 711-6617 ó (816) 584-9700.

NOTA: Para que nuestro representantes de servicio al cliente puedan ayudarle lo más rápido y eficientemente que sea posible, por favor tenga la siguiente información a la mano antes de llamar:

- Información de compra (dónde y cuándo Usted compró este producto)
- El Numero de Serie del Producto

GARANTÍA LIMITADA DE UN AÑO

(Si reside fuera de los EEUU, gastos adicionales de canjeo pueden aplicar)

Top Innovations, Inc. garantiza que este producto está libre de defectos en materiales y trabajo por un periodo de un (1) año de la fecha de compra. Ésta garantía no cubre daños causado por el uso incorrecto, negligencia, uso de electricidad o voltaje no apropiado, uso comercial, uso contrario a las instrucciones de manejo o desmontaje, reparaciones o alteraciones hechas por cualquier persona otra que el Departamento de Servicio de Garantía de Top Innovations, Inc.

Top Innovations, Inc. reparará o reemplazara, a su opción. Ésta garantía le da a Usted derechos legales específicos y pueda que tenga otros derechos, que pueden variar de estado a estado.

Cumplimiento de cualquier obligación bajo esta garantía puede ser obtenida:

1. Llamando al (800) 711-6617 por su Numero de Autorización de Devoluciones antes de devolverlo para reparaciones. Incumplimiento de conseguir un Numero de Autorización de Devolución podría causarle una demora en la garantía y en las peticiones de servicio que esten fuera de la garantía.
2. Incluya una copia del recibo de compra.
3. Incluya su nombre, dirección, numero de teléfono, y Numero de Autorización de Devolución en el embalaje devuelto.

Por favor mande el producto con el franqueo prepagado a:

**TOP INNOVATIONS, INC.
WARRANTY SERVICE DEPARTMENT
6655 TROOST AVE.
KANSAS CITY, KS 64131**

En el caso de que faltara o estuviera defectuosa alguna pieza o accesorio, por favor póngase en contacto con Apoyo al Cliente. En la mayoría de los casos, no es necesario devolver la unidad entera. Podemos mandar la mayoría de las piezas directamente a la puerta de su casa.

A la expiración de la garantía limitada de 1 año, usted sera avisado de el costo de la reparación antes que se haga el servicio, a menos que usted incluya una nota que indique que usted quiere que nosotros procedamos con la reparación.

Si necesita pedir servicio bajo la garantía, o si tiene alguna pregunta acerca de la cobertura bajo esta garantía, por favor visite nuestra pagina de Peticiones de Servicio de Garantía en nuestro sitio Web www.steamfast.com. Usted también puede ponerse en contacto con el Departamento de Servicios de Garantía por teléfono al (800) 711-6617 o (816) 584-9700, o por correo electrónico customerservice@topinnovations.com.

Por favor tenga el numero serial de su producto listo antes de ponerse en contacto con el Departamento de Servicio de Garantía. El numero de serie está localizado en la parte de atras o la parte inferior de su unidad.

SteamFast[®]

Top Innovations, Inc.

6655 Troost Ave.

Kansas City, MO 64131

Tel: (800) 711-6617

(816) 584-9700

www.steamfast.com

customerservice@topinnovations.com



Imprimido in China

NUMERO SERIAL DEL PRODUCTO

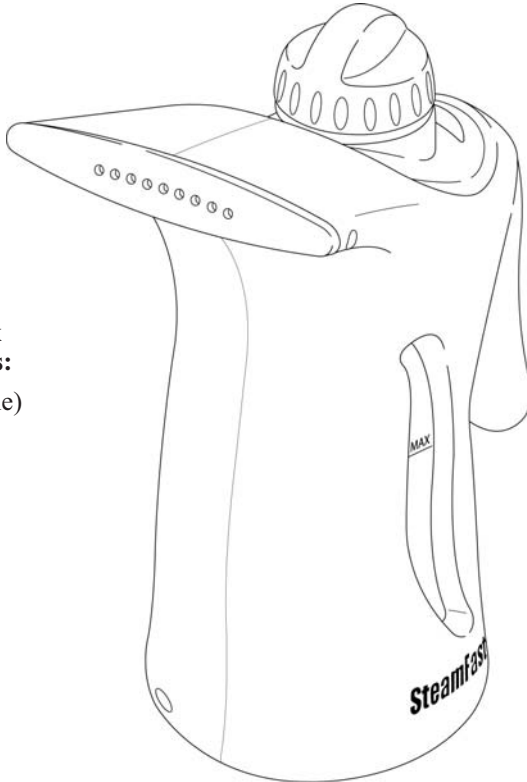
Para su conveniencia, un espacio ha sido provisto aquí abajo para que usted anote el numero de serie de su unidad (ubicado en la parte de atras o la parte inferior de la unidad) para facilitar la referencia cuando se ponga en contacto con nuestro Departamento de Servicio al Cliente.

_____ - _____

MODÈLE SF-435

SteamFast

Vaporisateur à Tissu Compact



**Ces instructions
s'appliquent aux
modèles suivants:**

- SF-435W (blanche)
- SF-435B (bleu)
- SF-435P (rose)
- SF-435S (sage)

par Top Innovations, Inc.

**Prière de lire toutes les instructions avant utilisation.
Postez la carte d'enregistrement de garantie.**

Très Chère Client,

Félicitations pour votre achat du nouveau **Vaporisateur À Tissu Compact SF-435**. Ce produit versatile et commode offre la puissance de la vapeur dans un appareil compact et léger qui est facile à transporter partout. C'est le compagnon de voyage idéal pour les voyages d'affaires ou les vacances en famille. C'est aussi un très bon produit domestique.

Branchez votre **Vaporisateur à Tissu Compact** et en quelques minutes vous serez prêt à enlever de manière délicate tout froissement des vêtements, des doubles-rideaux ou du tissu d'ameublement. En plus de la capacité à rendre les tissus lisses, vous aurez les nombreuses avantages de la vapeur. La vapeur chaude tue les microbes et les bactéries qui peuvent se trouver sur les tissus. Elle rafraîchit également le tissu d'ameublement et élimine la fumée et les odeurs désagréables, en redonnant un éclat neuf aux vêtements et à l'ameublement. De plus, une fois l'utilisation terminée, le poids léger et la taille compacte du **Vaporisateur à Tissus Compact** rendent son entreposage rapide et commode.

Top Innovations, Inc. vous invite à visiter notre site internet de Support Clientèle au:

www.steamfast.com

Sur ce site internet vous trouverez davantage de renseignements concernant beaucoup d'autres produits passionnants disponibles, des conseils utiles pour l'utilisation de votre **Vaporisateur à Tissu Compact**, ainsi que d'autres informations pour vous aider à utiliser au mieux la puissance de la vapeur!

Appréciez votre nouveau **Vaporisateur à Tissu Compact SF-435!**




Benny Lee
President-Directeur General
Top Innovations, Inc.



AVERTISSEMENT: Pour réduire le risque de feu, choc électrique ou blessures, les précautions de sécurité suivante doivent toujours être suivies lors de l'utilisation d'un appareil électrique.

LISEZ TOUTES LES DIRECTIVES AVANT D'EMPLOYER VOTRE VAPORISATEUR

1. **NE REMPLISSEZ PAS** cette unité avec trop d'eau. Remplissez-la seulement jusqu'à la marque MAX (7 oz. / 207 ml.). Un trop plein d'eau peut entraîner des débordements provoquant des brûlures ou même une électrocution.
2. **NE LAISSEZ PAS** votre Vaporisateur à Tissu Compact SF-435 sans surveillance lorsqu'il est branché ou n'est pas en usage. Utilisez cet appareil seulement pour les usages prévus, tels qu'indiqués dans ce manuel.
3.  **Cette unité n'est pas un jouet. Une surveillance étroite est nécessaire lors de l'usage à proximité des enfants, des animaux domestiques, ou des plantes. La vapeur produite par cette unité est chaude et sous pression. Il faut faire attention pour éviter les brûlures ou d'autres blessures. Ne dirigez jamais le bec vers les gens ou les animaux domestiques.**
4. Afin de réduire le risque de contact avec l'eau chaude émise par les événements à vapeur, tenez l'appareil à distance et vérifiez qu'il n'y a pas de signes de condensation ou de fuites.
5. **N'UTILISEZ PAS** cette unité si le cordon électrique ou la prise de courant sont endommagés. **N'UTILISEZ PAS** l'unité si elle ne fonctionne pas correctement ou si elle est tombée, a été endommagée ou laissée dehors. En cas d'un tel endommagement, **NE DÉMONTÉZ NI n'essayez de faire des réparations.** Apportez l'unité chez un agent de service agréé pour une inspection et des réparations. Un ré-assemblage ou une réparation incorrects risquent d'entraîner un incendie, un choc électrique, ou des blessures lors de l'utilisation du vaporisateur.
6. Afin de réduire le risque de choc électrique, **NE SUBMERGEZ PAS** l'appareil dans l'eau ou autres liquides. **N'EMPLOYEZ PAS** le cordon électrique comme poignée. Évitez tout pli dans le cordon électrique lors du rangement. **NE TIREZ NI** ne tendez le cordon sur des coins ou des angles vifs.
7. Évitez tout contact entre le cordon électrique et une surface chaude. Laissez l'appareil refroidir complètement avant l'entreposage. Enroulez le cordon électrique autour de l'appareil sans le serrer pour l'entreposage.
8. **N'UTILISEZ PAS** cette unité avec des rallonges ou des prises de courant de puissance inadéquates. Il faut utiliser une prise de courant à trois fiches ou un adaptateur correctement relié à la terre pour l'utilisation du Vaporisateur à Tissu Compact SF-435.

GARDEZ CES INSTRUCTIONS!
POUR UTILISATION DOMESTIQUE SEULEMENT

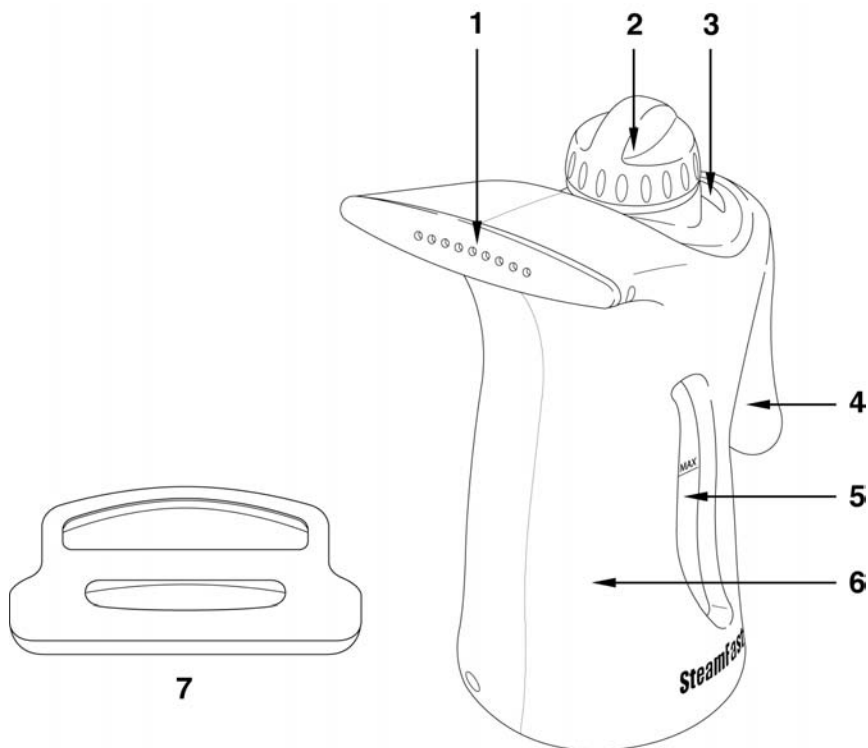


AVERTISSEMENT: Afin de réduire le risque de choc électrique, cet appareil est muni d'une fiche de prise électrique à trois lames. Cette fiche ne s'insère que dans un seul sens dans un socle mural à prise polarisée. Au cas où la fiche ne s'insère pas complètement dans le socle, contactez un électricien agréé pour faire installer un socle convenable. **N'ESSAYEZ PAS** de modifier la fiche ou de neutraliser cet accessoire de sécurité.

7. Afin de débrancher le Vaporisateur à Tissu Compact SF-435, empoignez la prise et retirez-la doucement et fermement de la prise de courant. **N'ESSAYEZ PAS** de débrancher l'unité en tirant sur le cordon.
10. Faites attention à l'angle d'inclinaison lors de l'utilisation du Vaporisateur à Tissu Compact SF-435. Pencher l'unité à plus de 35 degrés quel que soit la direction, risque d'entraîner l'émission des jets d'eau excessive du bec à vapeur.
11. Toucher les parties métalliques, l'eau chaude ou la vapeur risque de causer des brûlures. Faites attention lorsque vous retournez l'unité – il peut y avoir de l'eau chaude dans le Réservoir à Eau.
12. Le Vaporisateur à Tissu Compact SF-435 n'est conçu que pour une utilisation avec les accessoires SF-435 recommandés. D'autres sortes d'accessoires ne devraient pas être utilisées avec le Vaporisateur à Tissu Compact. Un tel acte risque d'entraîner des blessures ou d'endommager l'unité.
13. Le bec et les accessoires deviennent chauds au cours de l'utilisation. Afin d'éviter toute blessure, **NE TOUCHEZ PAS** le bec lors de l'utilisation de cet appareil. **N'ESSAYEZ PAS** de changer les accessoires pendant que l'unité émet de la vapeur.
14. Lors du remplissage de votre Vaporisateur à Tissu Compact, **NE REMPLISSEZ PAS** le Réservoir à Eau avec plus de 7 oz. (207 ml.) d'eau. L'eau seule doit être utilisée dans l'unité. Tout autre produit de nettoyage endommagera l'unité et risque de causer des blessures.
15. Débranchez toujours l'unité de la prise de courant électrique lors du remplissage ou de la vidange de l'eau, et lorsque l'unité n'est pas en usage.
16. **NE METTEZ PAS** l'unité **EN MARCHÉ** si la bouche à vapeur est bloquée. En cas de ce problème, cessez tout de suite d'utiliser l'unité et débranchez-la de la prise de courant électrique.
17. Entrez votre Vaporisateur à Tissu Compact SF-435 dans un endroit frais et sec.

GARDEZ CES INSTRUCTIONS!
POUR UTILISATION DOMESTIQUE SEULEMENT

Les caractéristiques et accessoires suivants sont inclus avec votre presseur. Inspectez soigneusement le matériel d'emballage puisque quelques pièces sont expédiées dans du Styrofoam. Pour obtenir des pièces potentiellement manquantes, consultez la section sur notre **Soutien à la Clientèle** à la page 10 de ce manuel.

**CARACTÉRISTIQUES ET
ACCESSOIRES DE L'UNITÉ**

1. Bec à Vapeur
2. Bouchon du Réservoir à Eau
3. Voyant Chauffage
4. Poignée
5. Indicateur de Niveau du Réservoir
6. Réservoir à Eau
7. Boîtier en Caoutchouc pour Accessoires
8. Brosse à Tissus
9. Détacheur de Peluche

- Le *Bec à Vapeur* (1) émet un jet de vapeur chaude et pénétrante.
- Le *Bouchon du Réservoir à Eau* (2) contient la vapeur en sécurité dans le *Réservoir à Eau*, et doit être enlevé afin de remplir l'unité avec de l'eau.
- Le *Voyant Chauffage* (3) s'allume lorsque l'appareil de chauffage de l'unité est en marche.
- La *Poignée* (4) est conçue de manière à rester relativement frais pendant qu'elle fournit le maximum de sécurité et de confort pour celui qui l'utilise.
- L'*Indicateur de Niveau du Réservoir* (5) permet la vérification de la quantité de l'eau dans le *Réservoir à Eau*. On ne doit pas le remplir au dessus de la ligne de remplissage MAX (7 oz. / 207 ml.).
- Le *Réservoir à Eau* (6) est le bac à entreposage pour l'eau destinée à être utilisée par l'unité.
- Le *Boîtier en Caoutchouc pour Accessoires* (7) sert au raccordement du *Détacheur de Peluche* et de la *Brosse à Tissus sur le Bec à Vapeur*. Il faut raccorder le *Boîtier en Caoutchouc pour Accessoires* avec la *Brosse à Tissus* ou le *Détacheur de Peluche*, ce qui réduira les crachotements excessifs d'eau émanant du *Bec à Vapeur*.
- La *Brosse à Tissus* (8) s'insère dans le *Boîtier en Caoutchouc pour Accessoires* et lisse de manière délicate les tissus en enlevant tout froissement.
- Le *Détacheur de Peluche* (9) s'insère dans le *Boîtier en Caoutchouc pour Accessoires*, et est utile pour l'enlèvement des peluches et des fils détachés sur les tissus.

REPLISSAGE DU RÉSERVOIR À EAU

1. Posez le Vaporisateur à Tissu Compact sur une surface plate et de niveau.
2. Assurez-vous que le cordon électrique à mise à la terre est débranché de la prise de courant électrique.
3. Dans le cas où l'unité vient d'être utilisée, laissez-la refroidir pendant au moins 5 minutes.

MISE EN GARDE : Laissez toujours l'unité refroidir avant d'ajouter de l'eau. De l'eau froide ajoutée à une chaudière chaude risque de faire jaillir de l'eau chaude ou de la vapeur à travers le trou de remplissage.

4. Dévissez et enlevez avec soin le Bouchon du Réservoir à Eau.
5. Remplissez avec soin le Réservoir à Eau avec de l'eau directement au robinet ou avec une tasse. Faites attention au niveau de l'eau dans le Réservoir à Eau en utilisant l'Indicateur de Niveau du Réservoir sur le côté de l'unité, et remplissez-le jusqu'à la ligne de remplissage MAX (7 oz. / 207 ml.).

REMARQUEZ : Afin de prolonger la durée de vie de votre Vaporisateur à Tissu Compact, nous vous recommandons l'utilisation d'eau distillée ou déminéralisée.

MISE EN GARDE : Il faut être extrêmement prudent en versant l'eau dans le Réservoir à Eau. Ne regardez pas directement dans le trou de remplissage pendant le remplissage. Tenez votre main libre et tout enfant ou animal domestique à distance.

REMARQUEZ : Ne dépassez pas la ligne de remplissage MAX. Trop d'eau dans le Réservoir à Eau risque d'entraîner des crachotements excessifs d'eau dans la vapeur.

6. Replacez le Bouchon du Réservoir à Eau, en faisant attention de ne pas le trop serrer.

RACCORDEMENT DES ACCESSOIRES

1. Choisissez ou bien le Détacheur de Peluche ou la Brosse à Tissus et insérez-le dans le Boîtier en Caoutchouc pour Accessoires, comme illustré (FIGURE 1).
2. Glissez le Boîtier en Caoutchouc pour Accessoires (avec l'accessoire déjà inséré) sur le Bec à Vapeur comme illustré (FIGURE 2). Vérifiez que les trous dans le Bec à Vapeur sont alignés avec la fente sur le Boîtier en Caoutchouc pour Accessoires, pour ne pas bloquer la vapeur.

REMARQUEZ : Le vaporisateur devrait être utilisé seulement après le raccordement de ces accessoires pour aider à réduire les crachotements d'eau.

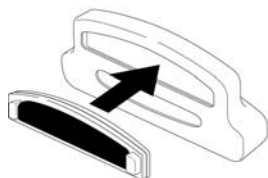


FIGURE 1

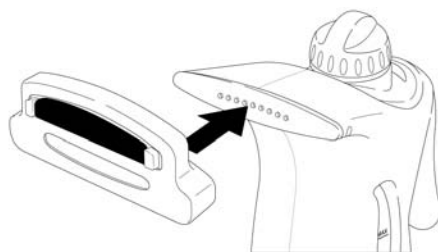


FIGURE 2

VAPORISATION DES LINGES DE MAISON ET DES TISSUS

REMARQUEZ : Assurez-vous que le Réservoir à Eau a déjà été rempli avant de prendre les mesures suivantes. Soyez certain également que le Boîtier en Caoutchouc pour Accessoires est raccordé avec la Brosse à Tissus ou le Détacheur de Peluche, afin de réduire le crachotement excessif d'eau émanant du Bec à Vapeur.

1. Branchez le cordon électrique à mise à la terre dans une prise de courant électrique convenable. Le Voyant Chauffage s'allumera tout de suite pour indiquer que l'unité est en train de chauffer.

MISE EN GARDE : Cette unité utilise une prise électrique à mise à la terre (à trois fiches). Branchez-la seulement dans une prise de courant électrique à trois fiches correctement installée. N'essayez de modifier la prise ou de contourner cet accessoire de sécurité en aucune manière.

2. Après approximativement 2 minutes de chauffage, l'unité commencera à émettre de la vapeur.

3. Dirigez le Bec à Vapeur (et tout autre accessoire) vers le tissu que vous désirez vaporiser.

MISE EN GARDE : Soyez toujours certain que le Bec à Vapeur et tout autre accessoire sont dirigés dans une direction sans risque (à distance de vous-même, des autres gens, des animaux domestiques, et des plantes) lors de l'émission de la vapeur.

4. Dirigez le jet de vapeur vers le tissu que vous vaporisez. Un mouvement léger de va-et-vient à l'endroit où vous vaporisez améliorera davantage la vaporisation.

Conseils pour la Vaporisation

- Les rideaux et doubles-rideaux peuvent être vaporisés sur place.
- Afin d'enlever les froissements sur les serviettes de bain, les mouchoirs et les serviettes, pendez-les sur une tige ou une barre à serviettes de bain et vaporisez-les doucement.
- Les tissus plus épais peuvent demander une vaporisation répétée pour obtenir les résultats désirés.
- Afin d'enlever les froissements exceptionnellement rebelles, vaporisez les deux côtés du tissu.
- Faites particulièrement attention lors de la vaporisation des tissus délicats et de ceux qui sont susceptibles à être endommagés par des taches d'eau

VAPORISATION DES VÊTEMENTS

1. Pendez le vêtement sur un cintre propre et sans rouille.

2. Dirigez le Bec à Vapeur vers la partie inférieure du vêtement. La vapeur montera à l'intérieur et à l'extérieur du tissu, en enlevant les froissements. Glissez le Bec à Vapeur lentement en sens vertical, du bas vers le haut du vêtement.

3. Dirigez le Bec à Vapeur à distance du vêtement et lissez le tissu avec votre main libre.

4. Répétez au besoin jusqu'à ce que le vêtement soit sans froissements.

Une fois l'utilisation du Vaporisateur à Tissu Compact terminée, débranchez tout de suite le cordon d'alimentation à mise à la terre de la prise de courant électrique. Adressez-vous aux **Conseils Relatifs au Soin et à l'Entreposage** à la page 9 de ce manuel pour des procédures relatives au nettoyage et à l'entreposage convenables.

ENTREPOSAGE CONVENABLE

La préparation de votre Vaporisateur à Tissu Compact pour l'entreposage est rapide et facile. Dès que vous aurez terminé vos tâches de vaporisation, prenez les mesures suivantes.

1. Débranchez le cordon électrique à mise à la terre de la prise de courant électrique.
2. Laissez l'unité refroidir complètement (au moins 30 minutes).
3. Enlevez tout accessoire de l'unité.
4. Videz toute l'eau résiduelle dans le Réservoir à Eau dans un évier ou un pot pour minimiser l'accumulation éventuelle de produits minéraux. Remettez, sans serrer, le Bouchon du Réservoir à Eau. Ne serrez pas le bouchon, parce qu'il peut être difficile à enlever au prochain usage de l'unité.
5. Entreposez tous les accessoires, de préférence près du Vaporisateur à Tissu Compact.
6. Entreposez le Vaporisateur à Tissu Compact dans un endroit frais et sec.

ENLEVEMENT D'ACCUMULATION DE MINERAUX

L'accumulation des produits minéraux en résulte du contenu élevé de produits minéraux dans les réserves d'eau municipales est un problème commun dans le fonctionnement des appareils à vapeur. **Pour éviter ce problème le meilleur moyen est d'employer de l'eau déminéralisée ou distillée dans l'unité.** Si vous ne pouvez pas utiliser d'eau déminéralisée ou distillée, nous vous recommandons de suivre mensuellement cette procédure pour aider à éviter l'accumulation des produits minéraux :

1. Débranchez le cordon électrique à mise à la terre de la prise électrique et laissez l'unité refroidir complètement.
2. Enlevez tout accessoire de l'unité.
3. Enlevez le Bouchon du Réservoir à Eau, et videz l'eau du Réservoir à Eau dans un évier ou un bac.
4. En utilisant un doseur, préparez un mélange de 4 oz. (118 ml.) de vinaigre et 4 oz. (118 ml.) d'eau.
5. Versez lentement le mélange eau-vinaigre dans le Réservoir à Eau.
6. Laissez reposer pendant 40 minutes.
7. Videz le mélange eau-vinaigre du Réservoir à Eau.
8. Rincez le Réservoir à Eau avec de l'eau fraîche, videz-le, et répétez jusqu'à la dissipation de l'odeur du vinaigre.
9. Remplacez le Bouchon du Réservoir à Eau.

PROBLÈME	CAUSE PROBABLE	SOLUCIÓN
L'unité ne chauffe pas.	L'unité n'est pas branchée.	Branchez l'unité sur une prise électrique.
	Le Disjoncteur Maison / l'Interrupteur de Prise de Terre a été déclenché ou a fait sauter un fusible.	Rappuyez sur le Disjoncteur / l'Interrupteur de Prise de Terre ou remplacez le fusible. Si vous avez besoin d'aide, contactez un électricien agréé.
L'unité chauffe, mais ne produit pas de vapeur.	Le Réservoir à Eau est vide.	Remplissez le Réservoir à Eau en utilisant les procédures à la page 7 de ce manuel.
	Minéraux à l'intérieur de l'unité.	Suivez la procédure Enlèvement de l'Accumulation des Produits Minéraux à la page 9 de ce manuel.
La production de vapeur est intermittente.	Accumulation de produits minéraux à l'intérieur de l'unité.	Une cessation périodique de quelques secondes dans la production de vapeur est normale pour l'unité. Si la vapeur ne se produit pas pour de plus longues périodes, suivez la procédure Enlèvement de l'Accumulation des Produits Minéraux à la page 9 de ce manuel.

SOUTIEN À LA CLIENTÈLE

En cas de dépannage de votre Vaporisateur à Tissu Compact, adressez-vous, s'il vous plaît, aux solutions de dépannage indiquées ci-dessus. Des questions supplémentaires doivent être envoyées à notre service de Soutien à la Clientèle de notre site Web, www.steamfast.com, à la page Demande de Services.

Si vous n'avez pas un accès Internet, vous pouvez contacter notre Département de Soutien à la Clientèle par téléphone, au numéro (800) 711-6617 ou (816) 584-9700.

NOTE: Pour aider nos représentants à vous servir le plus rapidement et efficacement possible, ayez en main l'information suivante avant d'appeler :

- Information d'achat (endroit et date de l'achat)
- Numéro de Série du Produit

GARANTIE LIMITÉE D'UN AN

(À l'extérieur des E-U, des frais de transport supplémentaires peuvent s'appliquer)

Top Innovations, Inc. garantit que ce produit est sans défauts en matériel et main-d'œuvre pour une période d'un (1) an à partir de la date d'achat. Cette garantie ne couvre pas les dommages dus à un mauvais usage, négligence, utilisation d'alimentation et voltage inappropriés, utilisation contraire aux instructions de fonctionnement ou démontage, réparations ou modification par toute autre personne que le personnel du Département du Service de Garantie de Top Innovations, Inc.

Top Innovations, Inc. réparera ou remplacera le produit à sa discrétion. Cette garantie vous donne des droits légaux spécifiques ainsi que certains autres droits qui varient selon votre État.

L'exécution de toute obligation couverte par cette garantie peut être obtenue en :

1. Appelant le (800) 711-6617 pour obtenir un Numéro d'Autorisation de Retour, avant de retourner le produit pour réparation. Si cette procédure n'est pas suivie, cela peut engendrer un délai de demandes de services sous garantie et hors garantie.
2. Fournissant une copie de votre reçu d'achat.
3. Fournissant votre nom, adresse, numéro de téléphone, et Numéro d'Autorisation de Retour sur votre colis.

Veuillez expédier le produit par poste prépayé à :

**TOP INNOVATIONS, INC.
WARRANTY SERVICE DEPARTMENT
6655 TROOST AVE.
KANSAS CITY, MO 64131**

S'il y a des pièces ou accessoires manquants ou défectueux, veuillez contacter notre Service à la Clientèle. Dans la plupart des cas, il n'est pas nécessaire de retourner la totalité du produit. Nous pouvons expédier certaines pièces directement à votre demeure.

Après expiration de la garantie limitée d'un (1) an, vous serez avisé du coût de réparation avant que toute demande de service soit entreprise, à moins d'avis contraire écrit de votre part indiquant que vous voulez que nous procédions aux travaux.

Si vous devez demander un service de garantie, ou avez des questions concernant la couverture offerte, veuillez visiter la page de Demande de Service de Garantie de notre site Web www.steamfast.com. Vous pouvez aussi contacter le Département de Service de Garantie en téléphonant au numéro (800) 711-6617 ou (816) 584-9700, ou par email customerservice@topinnovations.com.

Ayez en main le numéro de série de votre produit avant de contacter le Département du Service de Garantie. Le numéro de série se trouve à l'arrière ou au bas de votre produit.

SteamFast[®]

Top Innovations, Inc.

6655 Troost Ave.

Kansas City, MO 64131

Tel: (800) 711-6617

(816) 584-9700

www.steamfast.com

customerservice@topinnovations.com



Impimé à Chine

NUMÉRO DE SÉRIE DU PRODUIT

Pour faciliter l'accès à votre numéro de série, l'espace ci-dessous vous est fourni pour enregistrer cette information. Cela vous permet une consultation rapide lors de contacts avec notre Département de Service à la Clientèle. Le numéro est inscrit soit à l'arrière de votre produit ou en dessous.

_____ - _____