

V-bike® Spinner®
Spinner® Pro
Spinner® Elite
Spinner® NXT

OWNER'S GUIDE



Introduction	2
Safety Instructions	3
Assembly and Setup	4
V-bike® Spinner® Assembly and Setup	4
Spinner® Pro / Elite / NXT Assembly and Setup	7
Instructions for Use	13
Seat Adjustments	13
Handlebar Adjustments	14
Pedal Strap Adjustment	14
Resistance Control	14
Smart Release™ System	15
Training Information	15
Maintenance	16
Moving and Leveling	16
Preventive Maintenance	16
Adjustments	18
Parts Replacement	19

INTRODUCTION

Welcome to the world of **STAR TRAC**®. This manual will acquaint you with the assembly, operation and maintenance of your STAR TRAC group cycle.

This manual provides information and instructions for the following group cycle models:

- 5700 Series - STAR TRAC V-bike® Spinner®
- 6800 Series - STAR TRAC Spinner® Pro
- 6900 Series - STAR TRAC Spinner® Elite
- 7000 Series - STAR TRAC Spinner® NXT

Be sure to read and follow the information and instructions for your specific model before assembly, using or servicing your cycle.

WARNING

Your **STAR TRAC** group cycle is designed for aerobic exercise. Please check with your physician before beginning any exercise program. Do not push yourself to excess. Stop if you feel faint, dizzy or exhausted. Use common sense when exercising on the cycle.

Star Trac and V-bike are registered trademarks of Star Trac.
SPIN®, SPINNER® and SPINNING® are registered trademarks of Madd Dogg Athletics, Inc.
Smart Release™ is a registered trademark of Nautilus, Inc.

SAFETY INSTRUCTIONS

The following fitness safeguards and operating precautions are directed to purchasers and users of STAR TRAC group cycles. Club Managers should ensure that members and fitness staff are trained to follow these same instructions. Failure to follow these safeguards may result in injury or serious health risk.

FITNESS SAFEGUARDS

- Make your physician aware of any proposed fitness regimen before embarking on any exercise program.
- Discuss any health problems with your physician before beginning an exercise regimen.
- Stop operating the cycle if you feel faint, dizzy or tired.
- Preventive maintenance must be performed in accordance with the guidelines specified in the Preventive Maintenance section of this manual to assure optimum performance of the cycle.

OPERATING PRECAUTIONS

Persons exceeding 350 pounds (159 kg) may not use this product.

Ensure that adjustment knobs (seat height, seat fore-and-aft) are properly secured and do not interfere with range of motion during exercise.

- Do not use the cycle without proper footwear. NEVER operate the cycle with bare feet.
- Do not attempt to ride the cycle in a standing position at high RPMs until you have practiced at slower speeds.
- Never remove feet from the pedals while still in motion.
- Never attempt to abruptly stop the pedals, especially at high RPMs.
- Do not dismount the cycle until the pedals are at a complete STOP.
- After exercising, turn the load adjustment knob clockwise to increase resistance so the pedals will not rotate freely and potentially injure someone.
- Never turn the pedal crank arms by hand.
- Do not insert any object, hands or feet into any openings, or expose hands, arms or feet to the drive mechanism or other potentially moving part of the cycle.
- Keep children and pets away from the cycle whenever the machine is in use.
- Do not let children operate the cycle. The cycle mechanism and ergonomics are designed for adult use only.

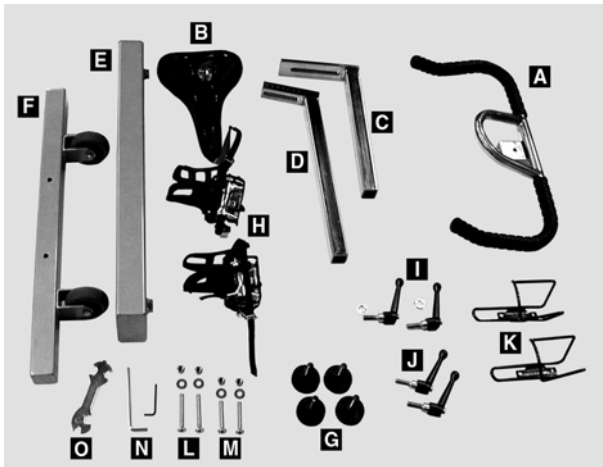
ASSEMBLY AND SETUP

V-BIKE® SPINNER® ASSEMBLY AND SETUP

Use the following procedures to unpack and assemble your *STAR TRAC V-BIKE SPINNER*.

UNPACKING

Position the shipping carton so the “Heavy End” logo is located at the bottom. Open the top of the carton and fold back all four flaps. Carefully tilt the box forward so that the box may be lifted to expose the cycle. Remove all parts from the shipping carton and foam inserts, and verify that the following parts are included in your shipment:



Assembly Parts



Spare Parts Kit

V-bike Parts List			
Description	Qty.	Description	Qty.
Main Frame Assembly (not shown)	1	I. Tension Handles w/Washers	2
A. Handlebar	1	J. Tension Handles w/o Washers	2
B. Seat	1	K. Water Bottle Brackets	2
C. Handlebar Post	1	L. 8mm x 70mm (long) w/Washer and Nuts	2
D. Seat Post	1	M. 8mm x 60mm (short) w/o Washer and Nuts	2
E. Back Leg	1	N. Allen Wrenches, Metric	2
F. Front Leg	1	O. Multi-Purpose Wrench	1
G. Leveling Adjusters (pre-installed)	4	P. Spare Parts Kit (includes brake pad and pedal straps)	1
H. Pedals (set of two)	1		

Spare Parts Kit- Save the box of spare parts in a safe place so you have service parts when needed in the future.

Take time now to enter your V-bike® Spinner® serial number in the space below (serial number is located on the bottom cross member). If parts are missing, or if you have any operational questions, please call Star Trac’s Service department at (800) 503-1221; have your serial number ready.

Serial No. _____

ASSEMBLY

1. Install the Back Leg

Place the back leg in position at the rear of the cycle, aligning the two holes in the leg with the mating holes in the frame bracket.

Insert two 8mm x 70mm bolts through the frame bracket and back leg, and install a flat washer and nut on each bolt. Using the #5 Allen Wrench and Multi-Purpose Wrench, tighten the nuts securely.



Step 1

2. Installing the Front Leg

Place the front leg in position at the front of the cycle, with the casters facing forward, aligning the two holes in the leg with the mating holes in the frame bracket.

Insert the two 8mm x 60mm bolts through the frame bracket and front leg, and install a flat washer and nut on each bolt. Using the #5 Allen Wrench and Multi-Purpose Wrench, tighten the nuts securely.



Step 2

3. Install the Pedals

Install the pedals on the pedal cranks using the Multi-Purpose Wrench. The closed end of the pedal cage must point forward, toward the front of the cycle.

NOTE: Turn the left pedal spindle counterclockwise when threading into the crank arm; turn the right pedal spindle clockwise when threading into the crank arm.



Step 3

4. Install the Seat

Insert the seat post into the frame assembly and secure in place using a tension handle.

Position the seat on top of the seat post and secure in place using a tension handle and washer.

NOTE: Tighten the tension handles firmly.



Step 4

5. Install the Handlebar

Insert the handlebar post into the frame assembly and secure in place using a tension handle.

Position the handlebar on top of the handlebar post and secure in place using a tension handle and washer.

NOTE: Tighten the tension handles firmly.

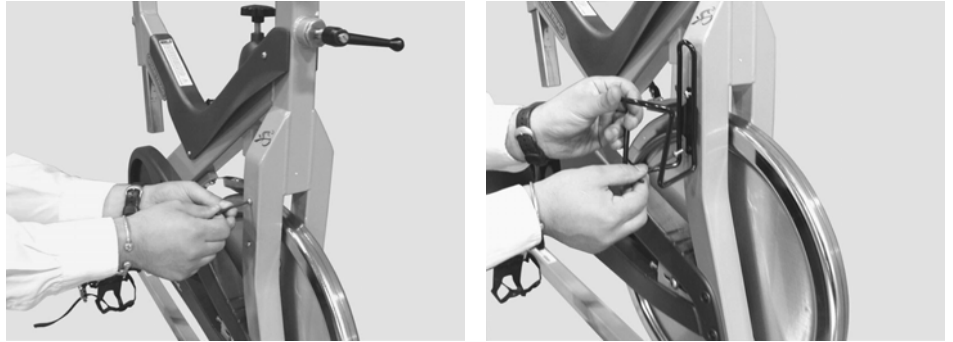


Step 5

6. Install the Water Bottle Holders

Using the Allen Wrench, remove the two screws from the right side fork of the frame assembly. Position a water bottle holder in place against the frame assembly, and re-install the two screws to secure.

Repeat to install the left-side water bottle holder.



Step 6

You have now completed the assembly of your **STAR TRAC V-BIKE® SPINNER®**.

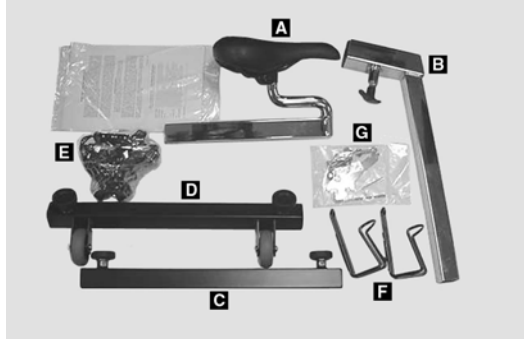


SPINNER® PRO / ELITE / NXT ASSEMBLY AND SETUP

Use the following procedures to unpack and assemble your *STAR TRAC SPINNER*®.

UNPACKING

Prepare the area that you will be unpacking and assembling the bike to be free from debris that may cause damage. Observe all safety precautions and care while unpacking and assembling the bike. Position the shipping carton so the “Heavy End” logo is located at the bottom. Open the top of the carton and fold back all four flaps. Carefully tilt the box forward so that the box may be lifted to expose the cycle. Remove all parts from the shipping carton and foam inserts, and verify that the following parts are included in your shipment:



Assembly Parts (Spinner Pro shown)

Spare Parts Kit

NXT Parts List (not shown)			
Description	Qty.	Description	Qty.
Main Frame Assembly	1	Rear Leg Assembly	1
Handlebar Post	1	M10x1.5, 55mm Button Head Screw	4
Handlebar w/ Grip & Water Bottle Holders	1	M10x1.5, 65mm Button Head Screw	4
M8x1.25, 16mm Flat Head Screw	2	M10x1.5 Nyloc Hex Nut	8
M8x1.25, 16mm Socket Set Screw	1	10mm Washer, Flat	16
Seat Post	1	Wrench Hex, 5mm	1
Seat Slider Assembly w/ Saddle	1	Wrench Hex, 4mm	1
Pedals (set of two)	1	Multi Wrench	1
Front Leg Assembly w/ Transport Wheels	1	Spare Parts Kit (includes brake pad and pedal straps)	1

Pro/Elite Parts List (Pro shown above)			
Description	Qty.	Description	Qty.
Main Frame Assembly (not shown)	1	F. Water Bottle Cages	2
Handlebar w/ Grip (& Water Bottle Holders – Elite only) (not shown)	1	G. Pop-Pins (pre-installed)	3
A. Seat Slider Assembly, w/ Saddle	1	G. M10x1.5, 55mm Flat Head Screw	4
B. Seat Post	1	G. M10x1.5 Nut	4
C. Rear Leg Assembly	1	G. 10mm Washer, Flat	4
D. Front Leg Assembly w/ Transport Wheels	1	G. Wrench Hex, 5mm	1
E. Pedals (set of two)	1	G. Wrench Hex, 4mm	1
		G. Multi Wrench	1
		H. Spare Parts Kit (includes brake pad and pedal straps)	1

Spare Parts Kit- Save the box of spare parts in a safe place so you have service parts when needed in the future.

Take time now to enter your V-bike® Spinner® serial number in the space below (serial number is located on the bottom cross member). If parts are missing, or if you have any operational questions, please call Star Trac's Service department at (800) 503-1221; have your serial number ready.

Serial No. _____

NOTE: If you are missing any of the parts listed above, inspect the packing material and the box for items that may have been overlooked.

If parts are missing, or if you have any product questions, please call Star Trac's Service Department at (800) 503-1221, please have your Spinners serial number ready.

CAUTION: Damage to the bike during assembly is not covered as part of the limited Star Trac warranty. Take care not to drop or lean the bike on the handle bar pop-pin. Carefully stand the bike up in the normal upright position on a stable surface so it will not tip over during assembly.



ASSEMBLY

Following these steps in order will minimize the build time and ensure proper assembly.

Note: Not all of the following procedures are performed on all models; Spinner ® Pro, Elite and NXT. If the procedure is specific to a model it will be noted as follows: NXT Only, Pro/Elite Only, NXT/Elite Only, or Pro Only.

1. Install the Back Leg

NXT Only

Lift up the rear of the bike frame and place the rear leg assembly in position under the frame, aligning the holes in the leg with the holes in the frame.

Position the leg so the thicker end faces toward the front of the bike

Using the 5mm hex wrench and a 13mm combination wrench insert 2- M10X55mm (rear-most holes) and 2-M10X65mm (front-most holes) button head screws, nuts and washers (under bolt head and nut), to secure the rear leg assembly to the frame.

Tighten all hardware securely using a torque wrench to 85 Inch Pounds



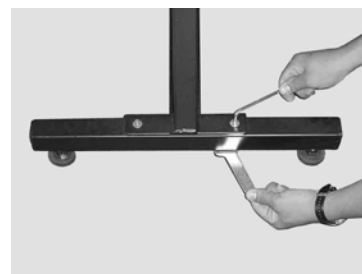
Step 1 (NXT)

Pro & Elite Only

Lift up the rear of the bike frame and place the rear leg assembly in position under the frame, aligning the holes in the leg with the holes in the frame.

Using the 5mm hex wrench and a 13mm combination wrench insert 2- M10X55mm flat head screws, nuts and washers to secure the rear leg assembly to the frame

Tighten all screws/nuts securely using a torque wrench to 85 Inch Pounds



Step 1 (Pro/Elite)

2. Install the Front Leg

NOTE: The front foot assembly has wheels attached to the front edge. Be sure the wheels face forward when installing the front leg assembly.

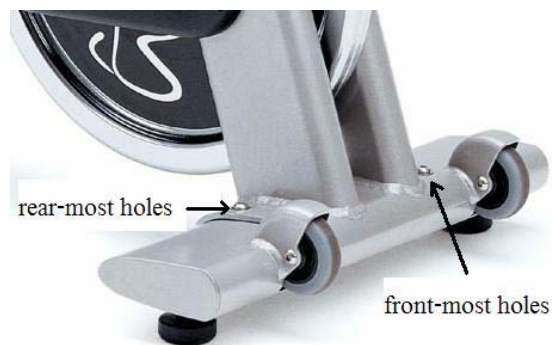
Stand the bike frame upright and gently tip the front of the bike up and position the front foot under the frame, with the wheels facing forward. Attach the front foot assembly to the frame, aligning the holes in the foot with the holes in the frame.

NXT Only

Position the leg so the thicker end and wheels face toward the front of the bike

Using the 5mm hex wrench and a 13mm combination wrench insert 2- M10X55mm (rear-most holes) and 2-M10X65mm (front-most holes) button head screws, nuts and washers (under bolt head and nut), to secure the front leg assembly to the frame.

Tighten all hardware securely using a torque wrench to 85 Inch Pounds

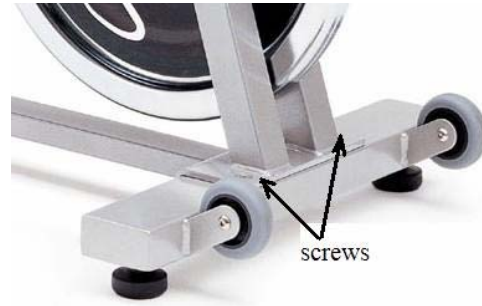


Step 2 (NXT)

Pro & Elite Only

Using the 5mm hex wrench and a 13mm combination wrench insert 2- M10X55mm flat head screws, nuts and washers to secure the front leg assembly to the frame.

Tighten all screws/nuts securely using a torque wrench to 85 Inch Pounds



Step 2 (Pro/Elite)

Move the bike to a flat surface and adjust the four leveling feet so the bike is stable.

3. Install the Saddle and Seat Slider

Install the seat post into the frame and lower it to the lowest position and tighten the pop pin securely. Slide the seat slide into the top of the seat post with the saddle pointed towards the front of the bike.

NXT Only

Rotate the seat slider lock knob as needed so that the slider clamp is in alignment with the guide rail.

There is a locking pin under the saddle that has to be pulled up as you move the slider into position. Release the pin when the indicator is within the 0 to 9 range.

Test the seat slide for proper operation and full travel.

Pro & Elite Only

Unscrew the seat slider pin far enough to allow the slider to pass over the pin.

Tighten screw with the slider in the 0 to 10 range.

Test the seat slide for proper operation and full travel.



Step 3a (Pro/Elite)



Step 3a (NXT)



Step 3b (Pro/Elite)



Step 3b (NXT)

4. Install the Pedals

NOTE: The pedal shafts are marked “R” and “L”. Trying to install the pedals on the wrong side may damage the pedal and the crank arm take caution to attach the pedals to the correct side of the bike.

Install the pedals on the pedal cranks using a 15mm open-end wrench and tighten securely.

Turn the left pedal spindle counterclockwise when threading into the left crank arm; turn the right pedal spindle clockwise when threading into the right crank arm.



Step 4

5. Install the Handlebar

NXT Only

Positioning the handlebar post with the number 1 on top and insert the handlebar into the handlebar sleeve locking it at number 4.

Slide the handlebar onto the handlebar post insert with the water bottle holders facing forward and align the three screw holes.

Insert the socket head set screw into the handlebar but do not tighten at this time.

Insert the 2 flat head screws into the handlebar but do not tighten at this time.

Check for proper alignment then tighten the 2 flat head screws using a 5mm hex wrench to 60 inch pounds.

Tighten the set screw to 60 inch pounds using a 4mm hex wrench.

Slide the handlebar post into the frame making sure the holes face the front of the bike.

Allow the post to go into the frame all the way in to level 1 and align the pop pin so it snaps into the hole then tighten the pop pin and test for steadiness.

Loosen the pop pin and raise the handlebar to its highest position number 10 and tighten the pop pin and test for steadiness.

Pro & Elite Only

Slide the handlebar post into the frame making sure the holes face the front of the bike.

Allow the post to go into the frame all the way in to level 1 and align the pop pin so it snaps into the hole then tighten the pop pin and test for steadiness.

Loosen the pop pin and raise the handlebar to its highest position and tighten the pop pin and test for steadiness.

6. Install the Bottle Holders (Pro Only)

Using the 3mm Allen Wrench, remove the two screws from the right side fork of the frame assembly. Position a water bottle holder in place against the frame assembly, and re-install the two screws to secure.

Repeat to install the cross member water bottle holder.



Step 5 (NXT)



Step 5 (Pro/Elite)



Step 6

You have now completed the assembly of your **STAR TRAC SPINNER® PRO / ELITE / NXT**



SPINNER PRO



SPINNER ELITE



SPINNER NXT

Testing the Bike

Use this checklist to perform the bike test procedure.

- Recheck all the bolts and make sure they are all tightened to the proper torque specification and no parts are missing.
- Test the handlebar and seat post to make sure they move freely and you are able to lock in at different positions.
- Check the seat to make sure it is level and tight and does not rotate around or tilt. Tighten and adjust as needed.
- Test the seat slide for movement front to rear and check it by settings it at different settings.

CAUTION: The flywheel will continue to spin after you pedal and the crank arms and pedals will rotate with the flywheel.

Brake tension is adjustable using the red resistance knob in the front of the bike. Pressing down on the knob will apply the brake if you need to stop quickly.

- Adjust seat post and handlebar post to your needs. Ride / test the bike for proper operation according to the owner's manual.
- Pedal the bike at a moderate pace and test for proper and smooth resistance changes while varying the amount of turns on the resistance knob.
- When the testing is complete tip the bike forward using the handlebars and roll it on a smooth surface to the final location and adjust the leveling feet so the bike is stable.

INSTRUCTIONS FOR USE

Your STAR TRAC group cycle is easy to use. Simply sit on the cycle, tighten the pedal straps and begin pedaling. The cycle allows the user full control over resistance by simply adjusting the brake pad. Typically, lower resistance levels enable you to pedal at a faster pace, placing increased demand on the cardiovascular system. Higher resistance levels will typically deliver a greater muscle/endurance workout at lower RPMs. RPM parameters in the Spinning® program range from 60 to 110 RPM.

Additionally, the cycle offers seat and handlebar adjustments, allowing the cycle to be configured to each users comfort zone.

This section provides the instructions for making seat adjustments, handlebar adjustments, pedal strap adjustments, and for controlling resistance. Differences between models are noted where applicable.

PLEASE NOTE: Proper instruction from a certified Spinning® instructor should be used to properly fit the group cycle for use.

SEAT ADJUSTMENTS

Proper seat height helps ensure maximum exercise efficiency and comfort, while reducing the risk of injury. Adjust the seat height so that the knee joint is slightly flexed when the extended leg is at the bottom of the pedal stroke. Once the proper height has been achieved, adjust the seat forward or back so that when the feet are in the 3 o'clock and 9 o'clock positions, the knees are directly over the pedal axle.

To adjust the seat height:

(V-bike® Spinner®) Dismount the cycle. Loosen the seat height tension handle by turning the handle counterclockwise. Raise or lower the seat to the desired height, then tighten the tension handle by turning clockwise. Be sure to tighten the handle firmly.

(Spinner® Pro/Elite/NXT) Dismount the cycle. Turn the seat height pop-pin counterclockwise and pull out on the pin to release it from its current preset location. Raise or lower the seat to the desired height, then gently release the pop-pin. Raise or lower the seat slightly, if necessary, until the pop-pin engages a preset hole. Turn the pop-pin clockwise to secure.

To adjust the seat horizontal position:

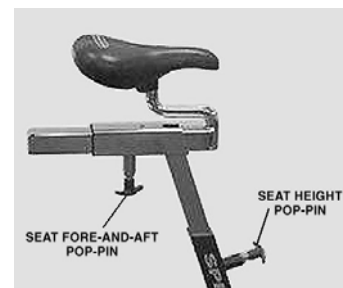
(V-bike® Spinner®) Dismount the cycle. Loosen the seat fore-and-aft tension handle by turning the handle counterclockwise. Move the seat forward or back to the desired position, then tighten the tension handle by turning clockwise.

Be sure to tighten the handle firmly.

(Spinner® Pro/Elite/NXT) Dismount the cycle. Loosen the seat fore-and-aft tension knob by turning the knob counterclockwise. Move the seat forward or back to the desired position, then tighten the tension knob by turning clockwise.



V-bike Spinner



Spinner Pro/Elite



Spinner NXT

HANDLEBAR ADJUSTMENTS

Proper position for the handlebar is based primarily on comfort. Typically, the handlebar should be positioned slightly higher than the seat. All group cycles allow for adjustment of handlebar height. Additionally, the V-bike® Spinner® allows for fore and-aft adjustment of the handlebar.

To adjust the handlebar height:

(V-bike® Spinner®) Loosen the handlebar height tension handle by turning the handle counterclockwise. Raise or lower the handlebar to the desired height, then tighten the tension handle by turning clockwise. Be sure to tighten firmly.

(Spinner® Pro/Elite/NXT) Turn the handlebar height pop-pin counterclockwise and pull out on the pin to release it from its current preset location. Raise or lower the handlebar to the desired height, then gently release the pop-pin. Raise or lower the handlebar slightly, if necessary, until the pop-pin engages a preset hole. Turn the pop-pin clockwise to secure.

To adjust the handlebar horizontal position:

NOTE: Handlebar horizontal adjustment is available on the V-bike® Spinner® only. Loosen the handlebar fore-and-aft tension handle by turning the handle counterclockwise. Move the handlebar forward or back to the desired position, then tighten the tension handle by turning clockwise. Be sure to tighten the handle firmly.



PEDAL STRAP ADJUSTMENT

The pedal straps should be adjusted to hold the foot snugly in the pedal.

To adjust the pedal straps:

Place each foot in the toe clip until the ball of the foot is over the pedal axle. The front of the shoe may not completely fill the toe cage. Rotate the pedals until one foot is within arms reach, then tighten the webbed cloth buckle until the cage of the toe clip is snug around the foot. Repeat for the other foot. Point your toes and knees directly forward to ensure maximum pedal efficiency.



RESISTANCE CONTROL

Pedaling resistance is controlled by the Push Brake System knob located below the handlebar. Resistance adjustments can be made while riding to vary the intensity of your workout.

To adjust pedaling resistance:

To increase resistance, turn the Push Brake System knob clockwise (+); to decrease resistance, turn the knob counterclockwise (-).

In case of emergency, you may press directly down on the Push Brake System knob to bring the flywheel to an abrupt stop.



SMART RELEASE™ SYSTEM

(Spinner® Elite) Allows the benefits of the direct drive system with a safety clutch to release the crank from the direct drive when a force is applied to the pedals.



TRAINING INFORMATION

This section provides hints on how to stay motivated, and suggestions for getting the most out of your workouts with maximum ease, efficiency and enjoyment.

IMPORTANT: User should be aware of the features, functions and proper operation of the cycle *before* using the cycle for the first time.

BEFORE BEGINNING

Be sure the seat, handlebar and pedal straps are properly adjusted for your body size and comfort before beginning your workout.

WARM-UP

Once you are in position and sitting on the cycle with your hands in a comfortable position on the handlebar, slowly begin pedaling. A gradual warm-up prepares the muscles and cardiovascular system for a more intense workout, and helps prevent potential injuries from occurring. Your warm-up should be sufficient once your breathing rate begins to increase and you begin to perspire lightly. The warm-up period should last about five minutes.

WORK OUT

A brisk and rhythmic workout will train the muscles and cardiovascular system to perform at a higher efficiency. The key is to exercise aerobically; typically at 60% – 75% of your maximum heart rate.

For added enjoyment, comfort and variety during your workout, experiment with seated or standing positions, resistance level, and hand positions.

COOL-DOWN

Slow and relaxed activity after a workout allows the muscles and cardiovascular system to gradually return to an inactive state.

DISMOUNTING THE CYCLE

WARNING: The flywheel momentum of the cycle will keep the pedals turning even after the user stops pedaling, or in the event the user's feet slip off the pedals. **DO NOT DISMOUNT THE CYCLE OR REMOVE YOUR FEET FROM THE PEDALS UNTIL BOTH THE PEDALS AND THE FLYWHEEL HAVE STOPPED COMPLETELY.** Failure to comply may lead to loss of control and serious personal injury.

You may stop the cycle using any of the following methods:

- Pedal more slowly until the pedals come to a complete stop.
- Increase the resistance by turning the Push Brake System knob clockwise (+) until the pedals come to a complete stop.
- Push down on the Push Brake System knob until the pedals come to a complete stop.
- **(Spinner® Elite only)** Apply back pressure to the pedals to engage the Smart Release™ system. Continue applying pressure until the pedals and flywheel come to a complete stop.

MAINTENANCE

This section provides the procedures to maintain the group cycles in serviceable condition. Differences between models are noted where applicable.

PREVENTIVE MAINTENANCE

Perform regular scheduled preventive maintenance procedures to maintain your group cycle in serviceable condition.

TOOLS

Tools required for service and maintenance of your group cycle are listed below.

Tool	Purpose
Pedal Wrench, 15mm*	Remove and install pedals.
Shimano-compatible Bottom Bracket Tool*	Remove, install and adjust the bottom bracket. (V-bike only)
Cotterless Crank Puller*	Remove crank.
Metric Allen Wrench Set and Metric Socket, 2mm ~ 6mm	Install and adjust leg bolts, chain tensioner, brake pad and crank bolts.
Crescent (adjustable) Wrench	Adjust chain tension.
Torque Wrench	Adjust crank arm.

* Available at local bike or fitness-related stores.

DAILY MAINTENANCE

The service life of your group cycle will be determined by how consistently you perform the daily maintenance procedures. Dry the group cycle after each use to remove sweat and moisture. It is best to use a liquid non-abrasive cleaner and water solution.

Wipe Down / Cleaning

To prevent the build-up of rust and other forms of corrosion, wipe down the cycle at the end of each day (or preferably at the end of each class). Raise all posts to the highest setting to expose moisture. Using an absorbent cloth, focus on all areas that perspiration can settle. Give particular attention to the following areas:

- Handlebar
- Seat / adjustable slide for the seat
- Flywheel
- Back leg assembly
- Chain guard
- Brake knob and bolt assembly
- Pop-pins
- Leveling feet

NOTE: Never use abrasive cleaning liquids or petroleum-based solvents when wiping down the cycle.

NOTE: It is recommended that class instructors direct class participants to release all the tension from the cycle at the end of each class to allow perspiration to evaporate.

Inspection / Adjustment

Inspect major moving parts that require constant proper torque. Loose or misadjusted parts can result in personal injury or damage to the cycle. Check the following parts for security and/or proper torque.

Crank arms

Use a foot pound torque wrench, tighten to 30 - 35 foot-pounds.

Pedals

Use a pedal wrench. Verify that the pedal is not cross-threaded.

IMPORTANT: If your facility allows members to interchange pedals, it is critical that the pedals are checked after each class to prevent damage, which may lead to injuries if ignored.

Water bottle (V-bike & Spinner Pro)

Tighten down assembly screws.

NOTE: Water bottle cages are easily damaged when oversized bottles are forced to fit within the bottle cage. Checking and tightening the screws will help prevent damage.

WEEKLY MAINTENANCE

Weekly maintenance should focus on the overall performance of the group cycle. During these inspections, look for vibration and possible loose assemblies.

Have an experienced rider ride each cycle to identify and help diagnose any vibration, noises, and any "unusual" feeling from the drive chain. Either faulty flywheel alignment or a loose chain can cause vibration.

- Check for proper flywheel alignment. Torque flywheel nuts as necessary.
- Remove chain guard and check for loose chain. Adjust chain as necessary (refer to "Chain Adjustment" on page 14).
- Inspect The Bottom Bracket Assembly (BBA). The BBA will come loose periodically and require tightening. Loose play (left and right motion) indicates the BBA needs adjusting. **(V-bike only)**

Inspect each cycle for loose assemblies, parts, bolts and nuts. Give particular attention to the following:

- Tighten all frame base hardware.
- Tighten all pull pin handles.
- Tighten seat hardware.
- Tighten pedal toe clip / toe straps.
- Inspect and tighten tension knob assembly.

MONTHLY MAINTENANCE

The monthly maintenance check should be a comprehensive inspection of the overall frame and main assembly components of the group cycle.

Inspection

Inspect the frame and main assembly components for rust or corrosion. Tilt the cycle or place in an upside down position to locate areas where rust and corrosion may develop. Use a small, wire brush to remove rust build-up in small crevasses, such as leveling feet, pop pin handles and other bolt assemblies. Give particular attention to the following areas:

- Leveling feet
- Pop pin handles

Inspect all wear items for adjustments or possible part replacement. Give particular attention to the following:

- Inspect brake pad for wear. Excessive wear, such as glazing or leather separation, indicates replacement is required.
- Inspect seat pad for wear. Rips, tears or excessive movement indicates replacement is required.
- Inspect pedals for play. Excessive movement of pedals indicates replacement is required.

MOVING AND LEVELING

To move the cycle to a new location:

Lift the cycle from the rear and use the front wheels (located on the front leg, below the handlebar) to roll the cycle from one location to another.

To level the cycle:

Use the four leveling adjusters (located on the underside of the front and rear legs) to compensate for uneven floor surfaces.

PARTS REPLACEMENT

BRAKE PAD REPLACEMENT

Removal

1. Remove tension from the brake pad by turning the Push Brake System knob counterclockwise, until completely loose.
2. Using the Multi-Purpose Wrench, remove the two bolts supporting the brake pad onto the frame).

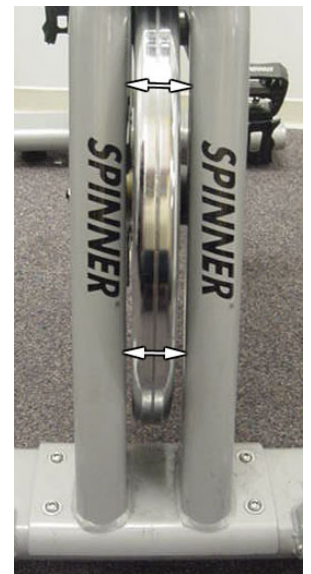
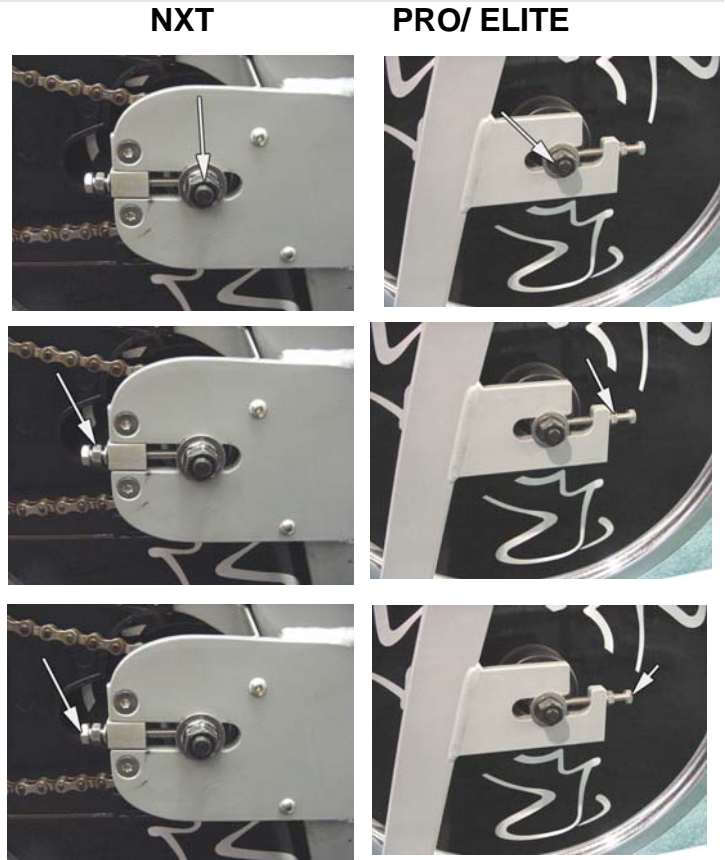


Installation

1. Carefully re-install the two bolts through the brake pad bracket onto the frame. Tighten by using the Multi-Purpose Wrench.

Chain tension adjustment

1. Using the 16mm or 5/8" socket and socket wrench loosen the axle nuts on the sides of the flywheel.
 2. Using the 10mm open end wrench, loosen the lock nuts on the chain adjustment screws.
 3. To tighten the chain, turn the adjustment screw in a clockwise rotation equally on both sides using the 10mm open end wrench.
 4. To loosen the chain turn the adjustment screw counter clockwise rotation (unscrew) equally on both sides using the 10mm open end wrench.
 5. While adjusting the chain tension work on both sides of the flywheel. Adjust the angle of the flywheel so it is straight front to rear and evenly spaced within the frame side to side as shown in the photo.
 6. Align the chain so it runs straight on both of the sprockets.
 7. Adjust the angle of the flywheel by adjusting the adjustment screws on both sides of the flywheel, test by slowly rotating the pedals.
 - a. If the chain is stretched beyond adjustment the replacement of the chain is recommended, proceed to chain replacement.
- NOTE:** When the alignment is at the optimal adjustment the chain will run smoother and quieter.
8. Tighten the adjustment lock nuts and the axle nuts on both sides alternating from side to side.
 9. Install the chain guard and test the bike.



Chain Replacement

CAUTION: Do not get your fingers caught in the chain or sprockets.

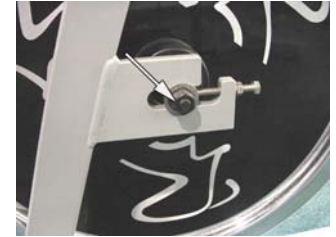
1. Remove the chain guard by unscrewing the chain guard screws.
2. Apply tension to the brake knob by turning it all the way clockwise so the flywheel does not turn.



3. Using the 16mm or 5/8" socket and socket wrench loosen the axle nuts on the sides of the flywheel.

NXT

PRO/ ELITE



4. Using the 10mm open end wrench, loosen the lock nuts on the chain adjustment screws.

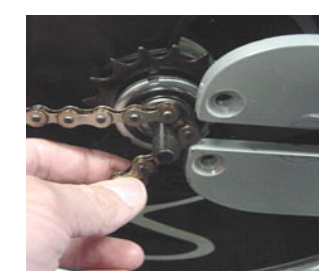


5. Loosen the adjustment bolt to allow the chain to go very slack.

6. Using the chain break tool cut the chain open and remove the chain from the bike.

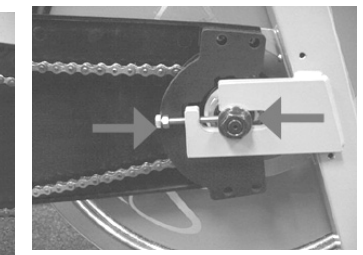


7. Put the new chain on the front sprocket and over the crank arm but not onto the large rear sprocket if the chain contains a master link, insert the master link and tighten it making sure the two links are joined and are flexible.



8. Lift the chain up onto the rear large sprocket.

9. Proceed to chain adjustment.





STAR TRAC
14410 Myford Road
Irvine, California 92606
Telephone: (800) 228-6635, (714) 669-1660
Fax: (714) 508-3303
<http://www.startrac.com>

Part Number 620-7302, Rev. C August 2006

