

Split System Submittal Data



Building Life.

System: 36UW72R Indoor/Outdoor: UHW3672R/C3672R
Concealed Duct Air Conditioner

Job Name: _____
 Location: _____
 Engineer: _____
 Submitted to: _____
 Submitted by: _____
 Reference: _____

Approval: _____
 Date: _____
 Construction: _____
 Unit #: _____
 Drawing #: _____

General Data (at 230V)

Power	V/PH/Hz	230/208/1/60
Circuit Ampacity	(A)	15-35 Indoor-Outdoor
Fuse Size, Max.	(A)	15-35 Indoor-Outdoor

Compressor		DC Rotary Inverter
No. used		1
R.L. Amps - L.R.	(A)	16.4-17.5
Crankcase Heater	(W)	-

Outdoor Unit		
Fan type		Propeller
Dia. (in.) - No. Speeds		18-7/64-1
Type Drive - No. Speeds		Direct Inverter
No. Poles	(RPM)	8 - 830
No. Motors	(W)	1-90
CFM	(High)	1942
F.L. Amps	(A)	17.3

Coil Type		Aluminum Fin & Copper Pipe
Fin Type - Pipe Type		Slit Plate - Inner Rifled
Rows - F.P.I.		2-14.1
Face Area	(sq.ft.)	7.26
Tube Size	(in.)	3/8"

Indoor Unit		
Fan type		Centrifugal
Dia. & Length (in.) - No. Speeds		5-29/32-3
No. Speeds		3 & Auto
No. Poles	(RPM, High)	4-940
No. Motors	(W)	1-100
CFM	(Hi/Med/Lo)	1060/920/750
Indoor Sound Rating	(Hi) (dB-A)	38
F.L. Amps	(A)	1.0

Coil Type		Aluminum Plate Fin & Copper Tube
Fin Type - Pipe Type		Slit Plate - Inner Rifled
Rows - F.P.I.		3-12.7
Face Area	(sq.ft.)	3.32
Tube Size	(in.)	3/8"
Drain Connection Size		1-17/64



Refrigerant		R410A
Lbs. - R410a (outdoor unit)		6.17
Control		Electric Expansion Valve
Connection		Flare
Line Length, Max		165
Lift Difference, Max		50 (Outdoor lower), 100 (Outdoor higher)
Line Size	(in. O.D. Discharge)	3/8"
Line Size	(in. O.D. Suction)	5/8"

Dimensions	(in.)	H x W x D
Indoor Unit	(Uncrated)	12-7/32 x 58-9/32 x 24-13/16
	(Crated)	14-3/32 x 65-25/32 x 30-13/16
Outdoor Unit	(Uncrated)	30-23/32 x 37 x 13-3/8
	(Crated)	34-31/32 x 39-31/32 x 16-3/32

Weight		Indoor	Outdoor
Net	(lbs.)	104	143
Shipping	(lbs.)	115	161
Shipping Volume	(cu.ft.)	Indoor 16.5	Outdoor 13.0

Performance Data @ ARI Standard Conditions (230V)

Cooling		
Total Capacity	(BTU/H)	31,200 (9,500-31,200)
Sensible Capacity	(BTU/H)	19,570
Latent Capacity	(BTU/H)	11,630
SEER		13.9
Dehumidification	(Pints/H)	10.0
Amps	(A)	18.6/20.6
Power Inputs	(W)	3,920/3,920
Outdoor Sound Rating	(dB-A)	52

➔➔➔ Dimensions

Feature

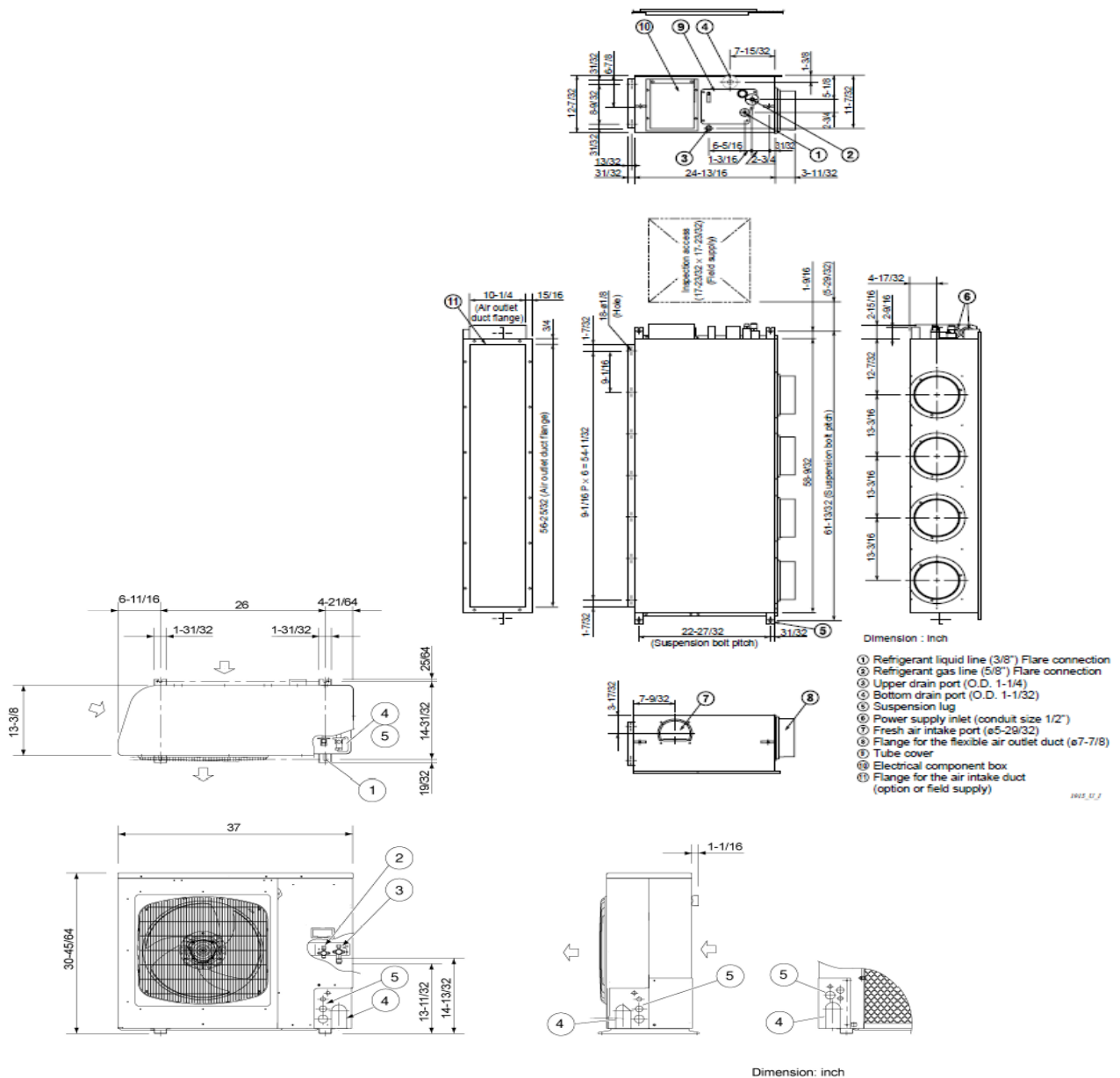
Controls		Microprocessor
Remote Controller		LCD Wired Type, Temp. Sensor Built In
Temperature Control		IC Thermostat
Timer		72HR, ON/OFF
Night Setback		Built-In
Air Louver	(Horizontal)	Manual
	(Vertical)	Automatic
Power Failure Automatic Restart		Built-In
Self-Diagnosis		Built-In
Air Filter		Washable, Anti-Mold

Option

Refrigerant Line Set	Available
Fresh Air Intake	N/A
Condensate Drain Pump	Standard
Wireless Remote Controller	Available
Non-Removeable Remo-con Bracket	Available

Operating Range

Cooling	Maximum	Indoor Air Intake Temp. 95F DB/71F WB	Outdoor Air Intake Temp. 109F DB
	Minimum	67F DB/57F WB	0F DB



①	Hole for anchor bolt (4-R6.5) / Anchor bolt: M10
②	Refrigerant tube joint (liquid line tube) • Flare connection 3/8 in (9.52 mm)
③	Refrigerant tube joint (gas line tube) • Flare connection 5/8 in (15.88 mm)
④	Refrigerant tubing inlet (knock-out hole)
⑤	Power supply inlet (knock-out hole ø38, ø29, ø19, ø16 mm)



Sanyo Commercial Solutions
 A Division of SANYO North America
 1300 Michael Drive
 Wood Dale, IL 60191 USA
 www.sanyohvac.com