



Dump Truck Set

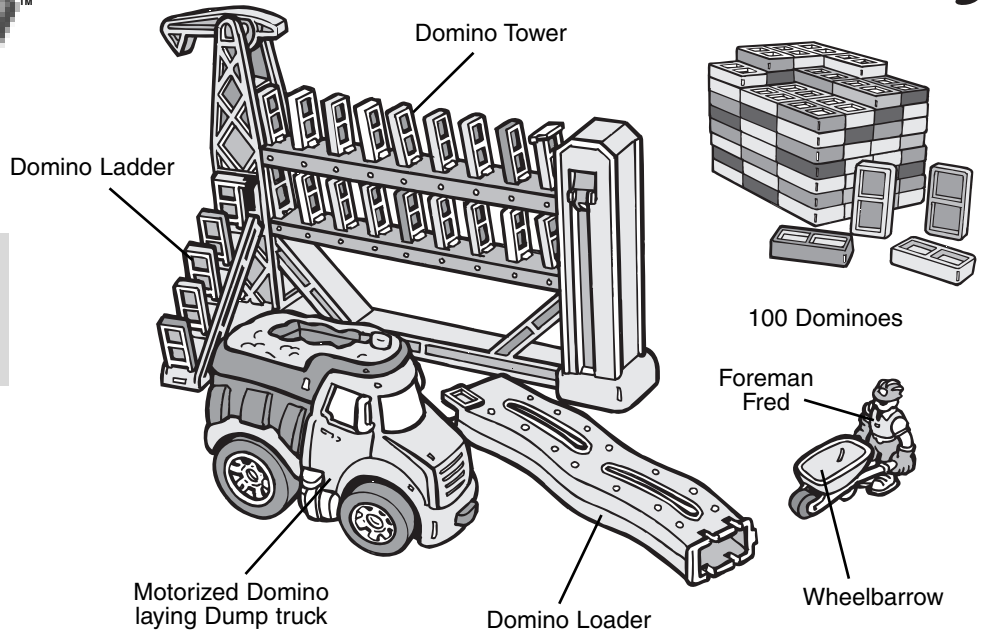
Set 'em up and knock 'em down with two tiers of domino action. The Dump Truck set is the ultimate domino building game. Load the truck and it automatically sets 'em up.

Set Includes:

- 1 Domino Tower
- 1 Domino Loader
- 1 Domino Ladder
- 1 Motorized Domino laying Dump truck
- 1 Foreman Fred
- 100 Dominoes

Required:

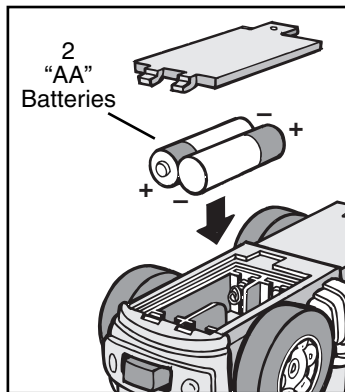
- 2 "AA" Alkaline batteries (not included)
- Small Phillips head screwdriver



INSTRUCTIONS

Battery Installation

1. Using a Phillips head screwdriver, unscrew and remove the battery cover.
2. Insert 2 "AA" alkaline batteries as shown, making sure that the (+) and (-) are facing the correct way.
3. Replace screw and battery cover.

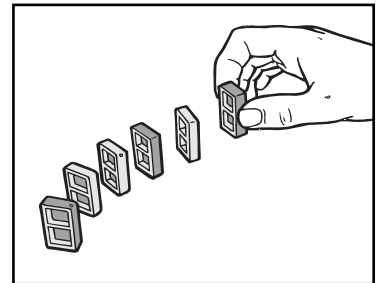


Playing

Knock-it-down BLOCKTOWN performs best on a clean dry surface.

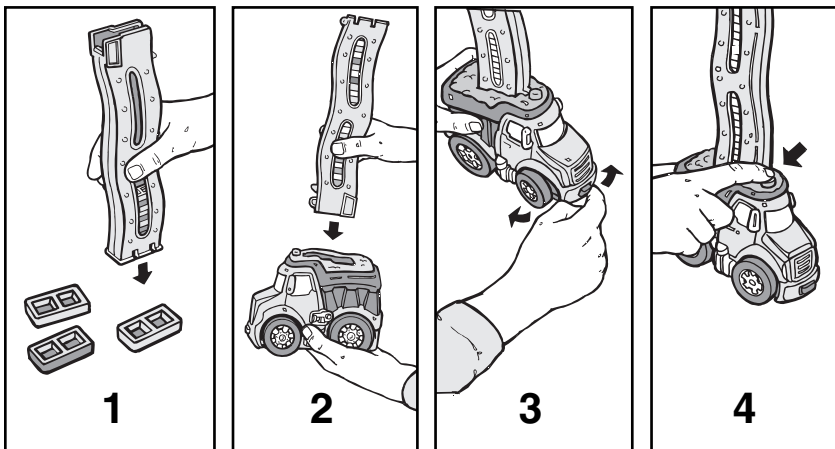
Setting up your dominoes

Set up your dominoes by hand maintaining a space of 1 domino width (1 inch) between each piece. This will allow your dominoes to fall more freely.



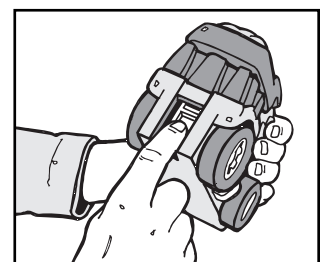
Operating the Domino Laying Truck

1. Spill dominoes onto a flat surface, make sure they are all lying flat. Using the top end of the loader, place it above a domino and press down firmly. Domino should slide in place. Repeat the process until loader is full.
2. Flip loader around so that closed end is facing down. Place loader into top of truck with the wider side facing the front.
3. Set the front wheels of the truck and watch as the domino trail follows you.
4. Press the start button on top of truck and watch as the truck starts to move and lay dominoes behind it.



If your Dump Truck gets jammed

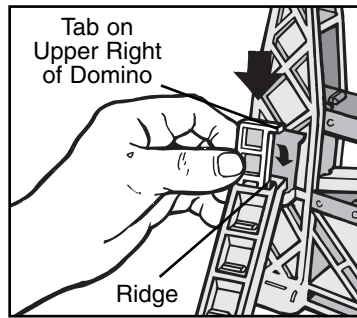
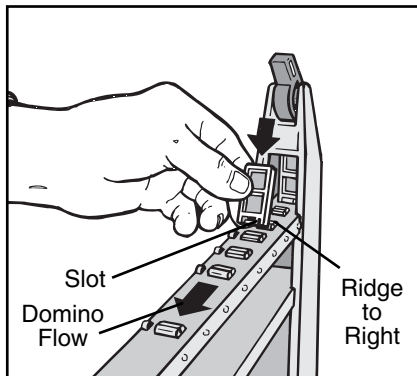
- Turn off the Truck.
- Take off the loader.
- Pick up the Truck.
- Tip the Truck upside down (domino should fall out), if not pull out domino from rear of truck (as shown).



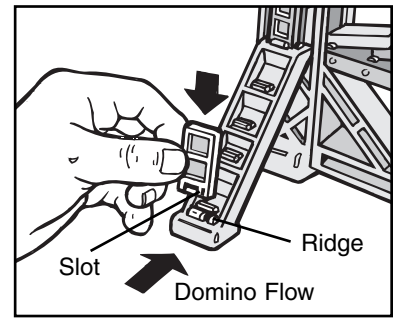
Setting Up the Domino Tower and Ladder

Snapping Dominoes into place.

1. Make sure the slot in the domino is on the left, facing you.
2. Align domino with the track and press down firmly to snap into place.



Note: The Top Domino has a tab on the upper right Corner.

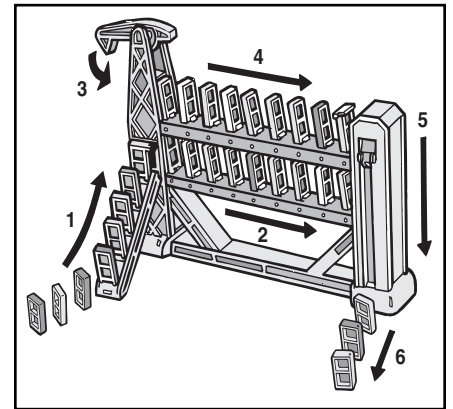
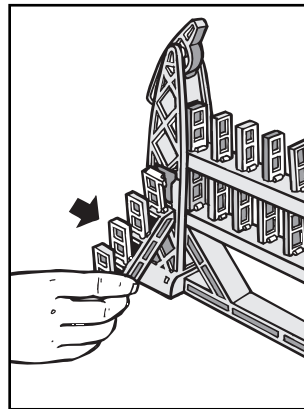
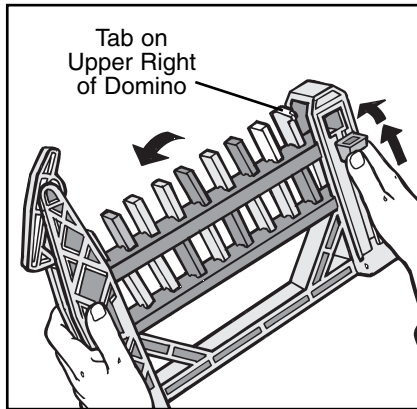


Note: The Lead-In Domino is a Regular Domino.

Tilt the tower to one side to arrange the dominoes vertically and then place the Domino Tower on a Flat surface.

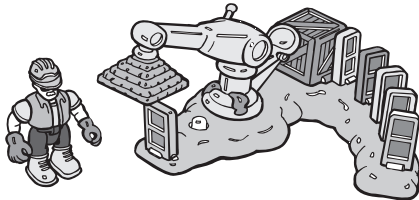
Secure the domino ladder in position.

Ensure that the lead-in and lead-out dominoes are no more than 1 inch away from tower and ladder.



Build the Ultimate Blocktown by incorporating more Domino Bricks and our Knock-it-Down Blocktown Action Sets, with wind up crane swinging knockdown action and wind up steamrolling knockdown action. The bigger Blocktown the bigger the Knock-it-Down. Action Sets and Bonus Domino Bricks. (Sold separately)

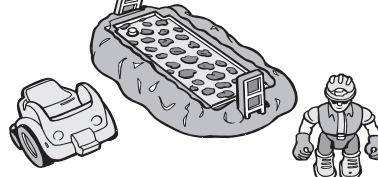
Crane Carl Action Set (Sold separately)



Set Includes:

- 1 Crane • 1 Crane Carl
- 100 Dominoes

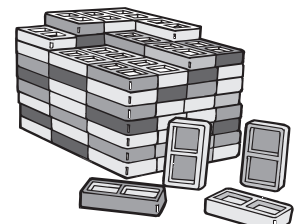
Steamroller Sam Action Set (Sold separately)



Set Includes:

- 1 Steamroller • 1 Steamroller Sam
- 1 Track • 100 Dominoes

Domino Bricks (Sold separately)



100 Dominoes

Troubleshooting

PROBLEM	SOLUTION
Truck will not start	1. Power switch is OFF. Turn ON. 2. Batteries are installed with incorrect polarity. Check the (+) and (-) markings to make sure the batteries are properly aligned. 3. Batteries are drained. Charge and/or install new batteries.

IMPORTANT BATTERY INFORMATION

- Battery Installation should be performed by an adult.
- Use only batteries recommended on this package and instruction sheet.
- Be careful to install batteries with the correct polarity as indicated.
- Do not mix new and old batteries.
- Do not mix alkaline, standard rechargeable or different types of batteries.
- Non-rechargeable batteries are not to be recharged.

- Rechargeable batteries are to be removed from the toy before being charged.
- Rechargeable batteries are only to be charged under adult supervision.
- Only batteries of the same or equivalent type as recommended are to be used.
- Exhausted batteries are to be removed from the toy.
- The supply terminals are not to be short circuited.

Manufactured for Spin Master Ltd.
Spin Master Ltd., 450 Front Street West, Toronto,
ON M5V 1B6 Canada
Spin Master, Inc., PMB #10053, 300 International Drive,
Suite 100, Williamsville, NY 14221, USA
Spin Master Toys Far East Limited, Rm #1113, 11/F,
Chinachem Golden Plaza, 77 Mody Rd., Tsimshatsui E.,
Kowloon, HK
Spin Master France SAS, 36 rue de Silly,
92100 Boulogne, France

North American Consumer Information
Phone: 1-800-622-8339
www.spinmaster.com

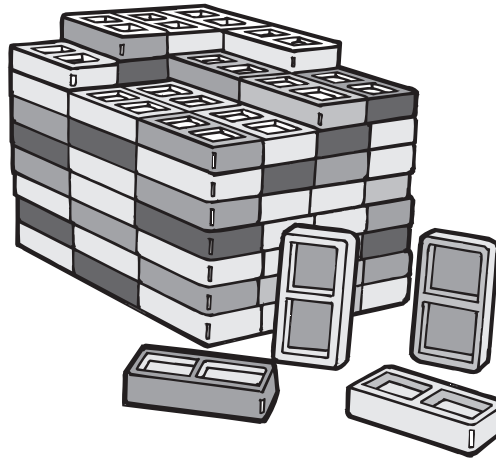
Knock-It-Down Blocktown TM is a trademark of Spin Master Ltd.
© 2005 Spin Master Ltd. All Rights Reserved.
Conforms to product safety standards ASTM F963-03,
EN71 Regulatory Requirements.
Please retain this information for future reference.
Please remove all packaging material before giving
to children. Products and colors may vary.
MADE IN CHINA.

Item #61345 REV 3 US English





Domino Bricks



- Contents:**
- 100 Dominoes

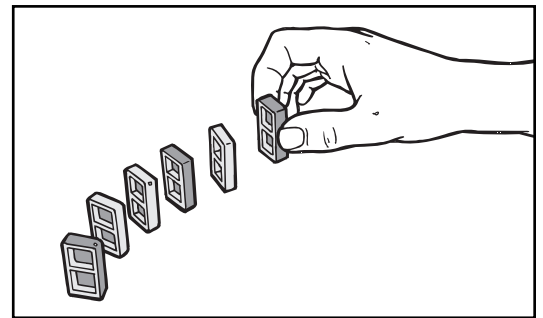
INSTRUCTIONS

Playing

Knock-it-Down BLOCKTOWN performs best on a clean dry surface.

Setting up your dominoes

Set up your dominoes by hand maintaining a space of 1 domino width (1 inch) between each piece. This will allow your dominoes to fall more freely.



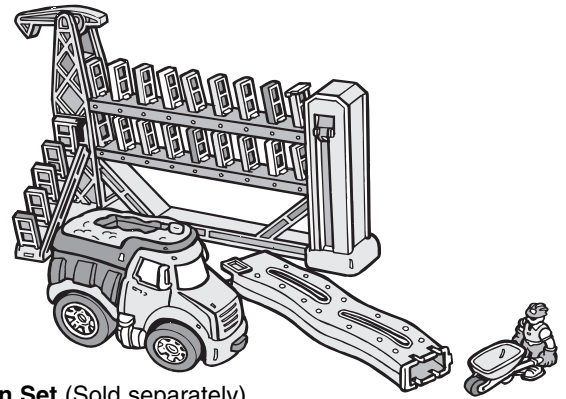
Building the Ultimate Knock-it-Down Blocktown

Build the Ultimate Blocktown by incorporating more Domino Bricks and our Knock-it-Down Blocktown Action Sets, with wind up crane swinging knockdown action and wind up steamrolling knockdown action. The bigger Blocktown the bigger the Knock-it-Down. Action Sets and Bonus Domino Bricks sold separately.

Also available is the Knock-it-Down Blocktown Dump Truck Set, which brings you the biggest knock down action. (Sold separately)

Set Includes:

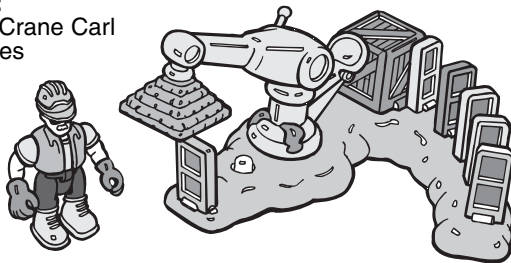
- 1 Domino Tower
- 1 Domino Ladder
- 1 Motorized Domino laying Dump truck
- 1 Domino Loader
- 1 Wheelbarrow
- 1 Foreman Fred
- 100 Dominoes



Dump Truck Action Set (Sold separately)

Set Includes:

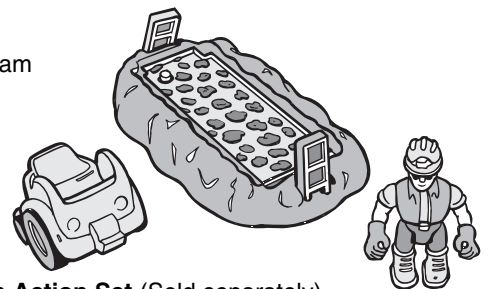
- 1 Crane
- 1 Crane Carl
- 100 Dominoes



Crane Carl Action Set (Sold separately)

Set Includes:

- 1 Steamroller
- 1 Steamroller Sam
- 1 Track
- 100 Dominoes



Steamroller Sam Action Set (Sold separately)

Manufactured for Spin Master Ltd.
Spin Master Ltd., 450 Front Street West, Toronto,
ON M5V 1B6 Canada
Spin Master, Inc., PMB #10053, 300 International Drive,
Suite 100, Williamsville, NY 14221, USA
Spin Master Toys Far East Limited, Rm #1113, 11/F,
Chinachem Golden Plaza, 77 Mody Rd., Tsimshatsui E.,
Kowloon, HK
Spin Master France SAS, 36 rue de Silly,
92100 Boulogne, France

North American Consumer Information
Phone: 1-800-622-8339
www.spinmaster.com

Knock-It-Down Blocktown TM is a trademark of Spin Master Ltd.
© 2005 Spin Master Ltd. All Rights Reserved.
Conforms to product safety standards ASTM F963-03,
EN71 Regulatory Requirements.
Please retain this information for future reference.
Please remove all packaging material before giving
to children. Products and colors may vary.
MADE IN CHINA.

Item #61343 REV 1 US English

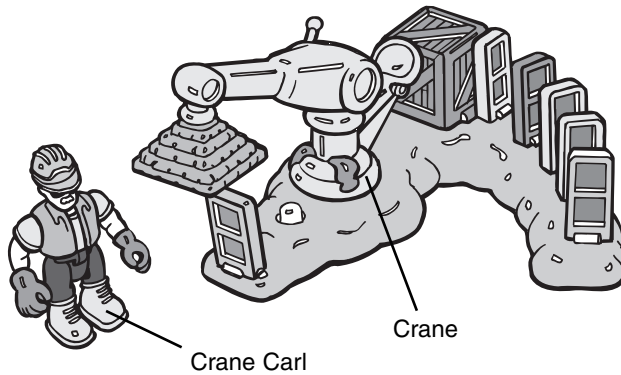




Crane Carl Action Set

Contents:

- 1 Crane • 1 Crane Carl
- 100 Dominoes



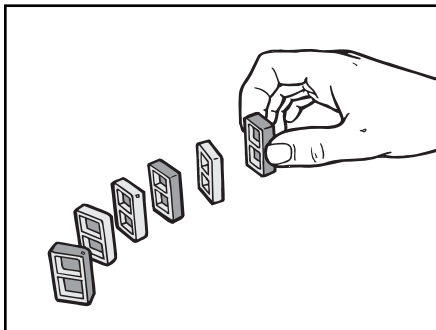
INSTRUCTIONS

Playing

Knock-it-down BLOCKTOWN performs best on a clean dry surface.

Setting up your dominoes

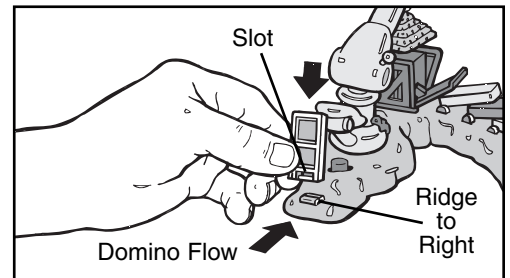
Set up your dominoes by hand maintaining a space of 1 domino width (1 inch) between each piece. This will allow your dominoes to fall more freely.



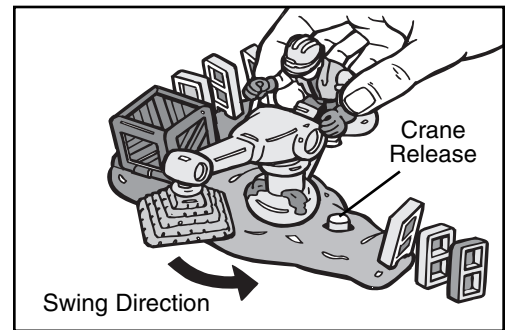
Setting up your Crane

Snapping Dominoes into place.

1. Make sure the slot in the domino is on the left, facing you.
2. Align domino with the slot in the track and press down firmly to snap into place.

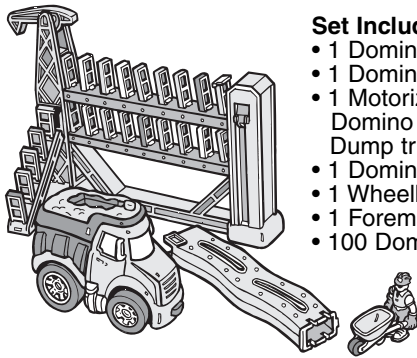


- Place Crane on a Flat surface.
- Swing Crane around away from crate and lock in position.
- Ensure that the lead-in and lead-out dominoes are no more than 1 inch away from the Crane.
- When dominoes fall onto the Crane release button, the Crane will unlock and swing into action, springing the crate open and knocking down the lead-out dominoes.



Build the ultimate Blocktown by incorporating more Domino Bricks and the Knock-it-Down Blocktown Dump Truck Set with motorized domino laying action. Also available Steamroller Action Set with wind up steamrolling knock down action. The bigger the Blocktown the bigger the knock down. Dump Truck Set, Steamroller Action Set and Domino bricks sold separately.

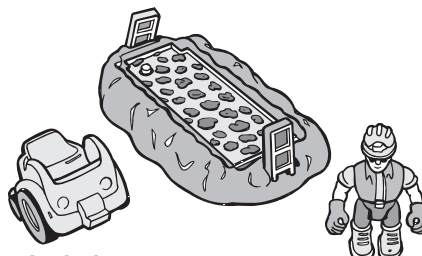
Dump Truck Action Set (Sold separately)



Set Includes:

- 1 Domino Tower
- 1 Domino Ladder
- 1 Motorized Domino laying Dump truck
- 1 Domino Loader
- 1 Wheelbarrow
- 1 Foreman Fred
- 100 Dominoes

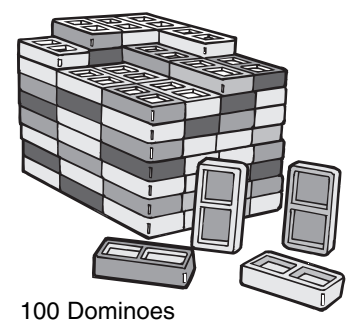
Steamroller Sam Action Set (Sold separately)



Set Includes:

- 1 Steam Roller • 1 Steam Roller Sam
- 1 Track • 100 Dominoes

Domino Bricks (Sold separately)



100 Dominoes

Manufactured for Spin Master Ltd.
Spin Master Ltd., 450 Front Street West, Toronto,
ON M5V 1B6 Canada
Spin Master, Inc., PMB #10053, 300 International Drive,
Suite 100, Williamsville, NY 14221, USA
Spin Master Toys Far East Limited, Rm #1113, 11/F,
Chinachem Golden Plaza, 77 Mody Rd., Tsimshatsui E.,
Kowloon, HK
Spin Master France SAS, 36 rue de Silly,
92100 Boulogne, France

North American Consumer Information
Phone: 1-800-622-8339
www.spinmaster.com

Knock-It-Down Blocktown TM is a trademark of Spin Master Ltd.
© 2005 Spin Master Ltd. All Rights Reserved.
Conforms to product safety standards ASTM F963-03,
EN71 Regulatory Requirements.
Please retain this information for future reference.
Please remove all packaging material before giving to
children. Products and colors may vary.
MADE IN CHINA.

Asst. #61344 Item #61497 REV 1 US English

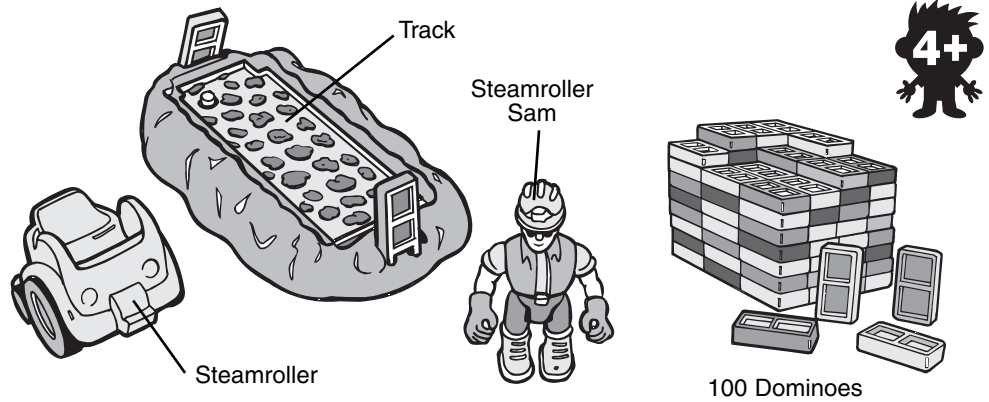




Steamroller Sam Action Set

Contents:

- 1 Steamroller
- 1 Steamroller Sam
- 1 Track
- 100 Dominoes



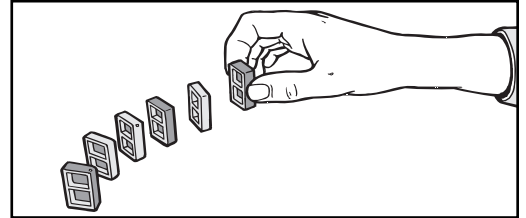
INSTRUCTIONS

Playing

Knock-it-Down BLOCKTOWN performs best on a clean dry surface.

Setting up your dominoes

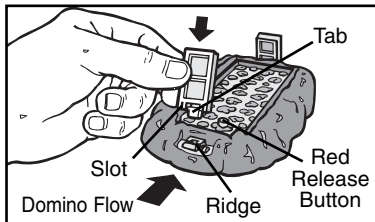
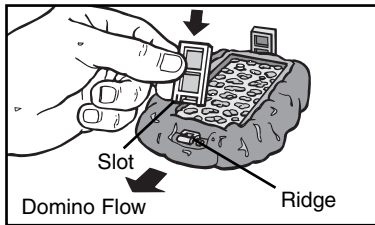
Set up your dominoes by hand maintaining a space of 1 domino width (1 inch) between each piece. This will allow your dominoes to fall more freely.



Setting up your Steamroller

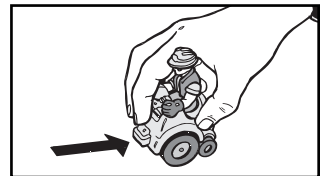
Snapping Dominoes into place.

1. Make sure the slot in the domino is on the left, facing you.
2. Align domino with the slot in the track and press down firmly to snap into place.
3. When installing the lead domino make sure the tab on the domino is facing away from you.
4. Align domino with the slot in the track and press down firmly to snap into place.



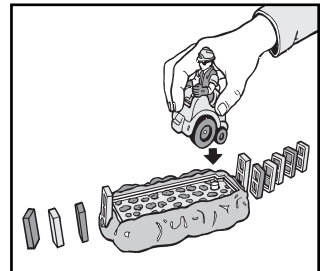
Winding Steamroller

- Wind Steamroller up by pulling it backwards along a flat surface.



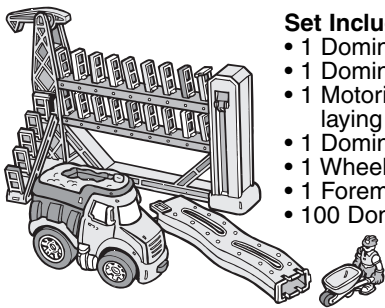
Setting up your Steamroller

- Place Steamroller Track on a flat surface.
- Set Steamroller on the back of the track on top of the little red button. The big wheels should be facing the front of the track.
- Ensure that the lead in and lead out dominoes are no more than 1 inch away from the Steamroller Track.
- When the lead-in dominoes fall onto your Steamroller, it will release from the locked position and begin rolling towards the lead-out dominoes.



Build the ultimate Blocktown by incorporating more Domino Bricks and the Knock-it-Down Blocktown Dump Truck Set with motorized domino laying action. Also available Steamroller Action Set with wind up steamrolling knock down action. The bigger the Blocktown the bigger the knock down. Dump Truck Set, Steamroller Action Set and Domino bricks sold separately.

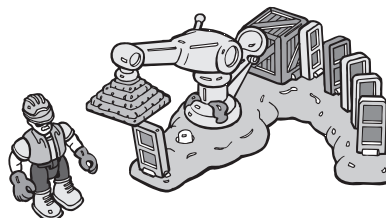
Dump Truck Action Set (Sold separately)



Set Includes:

- 1 Domino Tower
- 1 Domino Ladder
- 1 Motorized Domino laying Dump truck
- 1 Domino Loader
- 1 Wheelbarrow
- 1 Foreman Fred
- 100 Dominoes

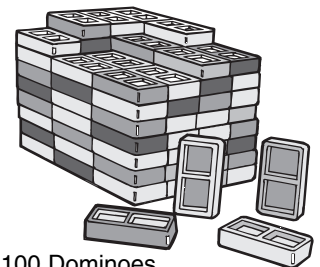
Crane Carl Action Set (Sold separately)



Set Includes:

- 1 Crane
- 1 Crane Carl
- 100 Dominoes

Domino Bricks (Sold separately)



100 Dominoes

Manufactured for Spin Master Ltd.
Spin Master Ltd., 450 Front Street West, Toronto,
ON M5V 1B6 Canada
Spin Master, Inc., PMB #10053, 300 International Drive,
Suite 100, Williamsville, NY 14221, USA
Spin Master Toys Far East Limited, Rm #1113, 11/F,
Chinachem Golden Plaza, 77 Mody Rd., Tsimshatsui E.,
Kowloon, HK
Spin Master France SAS, 36 rue de Silly,
92100 Boulogne, France

North American Consumer Information
Phone: 1-800-622-8339
www.spinmaster.com

Knock-It-Down Blocktown TM is a trademark of Spin Master Ltd.
© 2005 Spin Master Ltd. All Rights Reserved.
Conforms to product safety standards ASTM F963-03,
EN71 Regulatory Requirements.
Please retain this information for future reference.
Please remove all packaging material before giving to children. Products and colors may vary.
MADE IN CHINA.

Asst. #61344 Item #61498 REV 1 US English

