



*Kettle shown with
Optional Spring Assist Cover

SPECIFICATIONS:

Shall be a Model _____ , self-generating, electric tilting kettle. A double wall kettle interior shall form a steam jacket around the lower 2/3 of the kettle. The jacket enclosure shall contain distilled water which is factory sealed. The bottom of the kettle shall be of hemispherical design for superior heat circulation.

The console shall be drip proof, stainless steel clad and shall be supported on all welded, 1-5/8" (41mm) diameter stainless steel frame and legs fitted with 4 hole adjustable flanged feet for securing to floor.

The kettle shall pivot on trunnions connected to the tilt mechanism and the outbore bearing connected to the frame and shall permit the kettle to tilt forward a full 90 for complete emptying. The tilt mechanism shall be self locking for positive stop action.

Construction shall be all welded #4 finish stainless steel, type 304. The controls shall be integrally mounted and shall include a power switch, thermostat, pilot light, low water light, vacuum/pressure gauge, safety relief valve, and low water shut off.

The kettle shall be standard with removable elements.

The kettle shall operate in a temperature range of 100°F to 290°F (38°C to 144°C) at a maximum pressure of 50 psi (345kPa).

MODEL	CAPACITY	
KELT-20	20 Gallon	76 Liter
KELT-30	30 Gallon	114 Liter
KELT-40	40 Gallon	152 Liter
KELT-60	60 Gallon	227 Liter
KELT-80	80 Gallon	303 Liter
KELT-100	100 Gallon	379 Liter

OPERATION SHALL BE BY:

Electrically, self-generating closed steam system operating at 50 psi equipped for operation on:

- 208 VAC, 3 Phase, 50/60 Hz
- 208 VAC, 1 Phase, 50/60 Hz*
- 240 VAC, 3 Phase, 50/60 Hz
- 240 VAC, 1 Phase, 50/60 Hz*

OPTIONAL ITEMS AT EXTRA COST:

- Type 316 stainless steel liner for high acid content products
- 1-1/2" (38 mm) draw off valve
- 2" (50 mm) draw off valve
- 3" (76 mm) draw off valve
- 2" (50 mm) dairy valve
- 3" (76 mm) dairy valve
- 24 kw on 40, 60, 80 gallon
- 33 kw on 60, 80, 100 gallon
- 220 VAC, 1 Phase, 50/60 Hz*
- 220 VAC, 3 Phase, 50/60 Hz
- 380 VAC, 3 Phase, 50/60 Hz
- 415 VAC, 3 Phase, 50/60 Hz
- 480 VAC, 3 Phase, 50/60 Hz
- 220/380 VAC, 3 Phase, 4 wire
- 240/415 VAC, 3 Phase, 4 wire
- One piece lift off stainless steel cover
- Spring assist hinged stainless steel cover
- Etched gallon markings
- Etched litre markings
- Correctional package
 - *20 and 30 gallon only

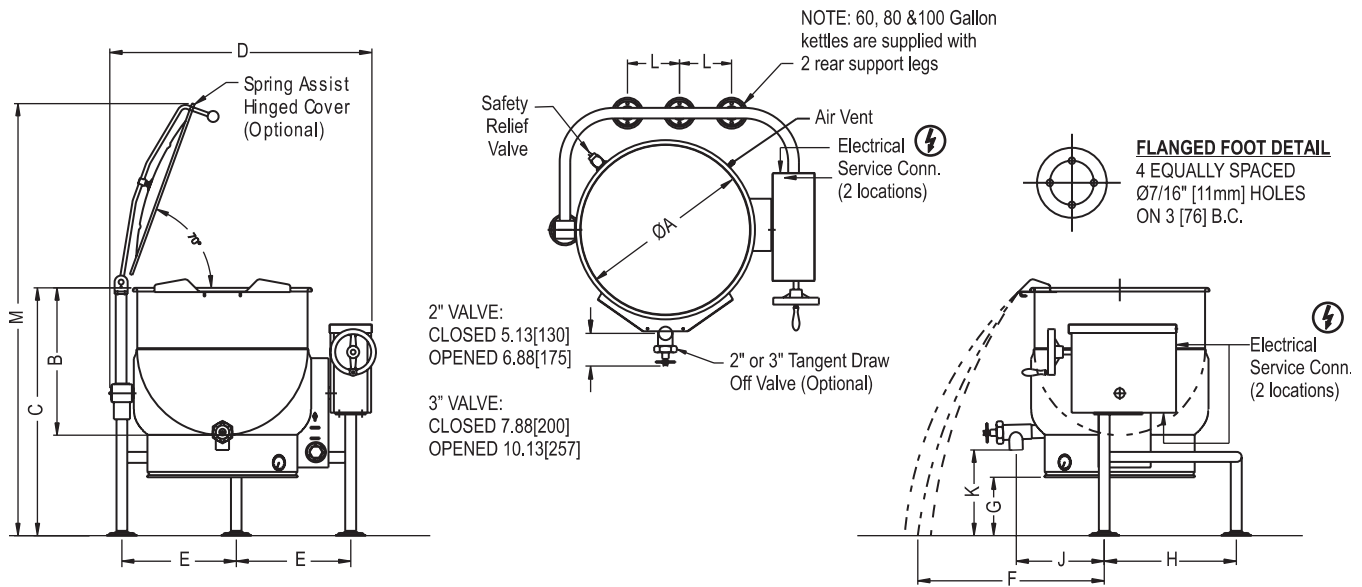
ACCESSORIES:

- ^ Triple basket assembly
- ^ Perforated strainer for draw off
- ^ Solid stainless steel disc for draw off valve
- ^ Graduated measuring stick
- ^ Strainer hook
- ^ Double pantry faucet with swing spout
- ^ Single pantry faucet with swing spout
- ^ Pan support
- ^ Pour strainer
- ^ Calibrated thermostat dial "C"
- ^ Calibrated thermostat dial "F"

Job _____
Item# _____



Models: KELT-20 KELT-30 KELT-40 KELT-60 KELT-80 KELT-100



DIMENSIONS

MODEL	CAPACITY	UNITS	A	B	C	D	E	F	G	H	J(2")	J(3")	K(2")	K(3")	L	M
KELS-20	20 gallons (76 liters)	in (mm)	21" (533)	18" (457)	38" (965)	36" (914)	15" (381)	18" (457)	14" (356)	19.25" (489)	14.75" (375)	15.5" (394)	18" (457)	17.5" (445)	N/A	63.5" (1613)
KELS-30	30 gallons (114 liters)	in (mm)	24" (610)	20" (508)	38" (965)	39" (990)	16.5" (419)	23" (584)	12.375" (314)	19.25" (489)	16.75" (425)	17.25" (438)	16" (406)	15.5" (394)	N/A	66.5" (1689)
KELS-40	40 gallons (152 liters)	in (mm)	26" (660)	22.5" (572)	38" (965)	41" (1041)	17.5" (445)	18" (457)	10" (254)	20.25" (514)	17.5" (445)	18.5" (470)	13.5" (343)	13" (330)	N/A	68.5" (1740)
KELS-60	60 gallons (227 liters)	in (mm)	29.5" (749)	26" (660)	42" (1067)	44.5" (1130)	19.125" (486)	24" (610)	11" (280)	22.25" (565)	19.5" (495)	20.75" (527)	14" (356)	13.5" (343)	10.5" (267)	76" (1930)
KELS-80	80 gallons (303 liters)	in (mm)	33" (838)	28" (711)	45" (1143)	48" (1219)	20.875" (530)	27" (686)	12.625" (321)	23.75" (603)	20.25" (514)	21.25" (540)	15" (381)	14.5" (368)	12" (305)	82.5" (2096)
KELS-100	100 gallons (379 liters)	in (mm)	35.5" (902)	30" (762)	48" (1219)	49.5" (1257)	22.25" (565)	32" (813)	14.5" (368)	25.25" (641)	20.25" (514)	21.25" (540)	18.75" (476)	18.25" (464)	14" (356)	88.5" (2248)

ELECTRICAL CHARACTERISTICS

AVAILABLE kW			AMPS PER LINE							
MODEL	STANDARD	OPTIONAL	kW	PHASE	208V	220V	240V	380V	415V	480V
KELT-20	12	N/A	12	1	57.7	54.5	50.0	N/A	N/A	N/A
KELT-30	15	N/A	12	3	33.3	31.5	28.9	18.2	16.7	14.4
KELT-40	18	24	15	1	72.1	68.2	62.5	N/A	N/A	N/A
KELT-60	18	24, 33	15	3	41.6	39.4	36.1	22.8	20.9	18.0
KELT-80	18	24, 33	18	3	50.0	47.2	43.3	27.3	25.0	21.7
KELT-100	24	33	24	3	66.6	63.0	57.7	36.5	33.4	28.9
			33	3	91.6	86.6	79.4	50.1	45.9	39.7

SERVICE CONNCETIONS

⚡ – ELECTRICAL CONNECTION : to be specified on dataplate

**INTENDED FOR COMMERCIAL USE ONLY.
NOT FOR HOUSEHOLD USE.**



1100 Old Honeycutt Road, Fuquay-Varina, NC 27526
(919) 762-1000 www.southbendnc.com