

# Split System Submittal Data

**System: 36KHS72R Indoor/Outdoor: KHS3672R/CH3672R**  
**Wall Mounted Heat Pump**



Building Life.

Job Name: \_\_\_\_\_  
 Location: \_\_\_\_\_  
 Engineer: \_\_\_\_\_  
 Submitted to: \_\_\_\_\_  
 Submitted by: \_\_\_\_\_  
 Reference: \_\_\_\_\_

Approval: \_\_\_\_\_  
 Date: \_\_\_\_\_  
 Construction: \_\_\_\_\_  
 Unit #: \_\_\_\_\_  
 Drawing #: \_\_\_\_\_



## General Data (at 230V)

Power	V/PH/Hz	230/208/1/60
Circuit Ampacity	(A)	15-35 Indoor-Outdoor
Fuse Size, Max.	(A)	15-35 Indoor-Outdoor

Compressor		DC Rotary Inverter
No. used		1
R.L. Amps - L.R.	(A)	16.4-17.5
Crankcase Heater	(W)	-

Outdoor Unit		
Fan type		Propeller
Dia. (in.) - No. Speeds		18-7/64-1
Type Drive - No. Speeds		DC Motor
No. Poles	(RPM)	8 - 830
No. Motors	(W)	1 - 90
CFM	(High)	1942
F.L. Amps	(A)	17.3

		Aluminum Fin & Copper Pipe
Coil Type		Aluminum Fin & Copper Pipe
Fin Type - Pipe Type		Slit Plate - Inner Riffled
Rows - F.P.I.		2 - 14.1
Face Area	(sq.ft.)	7.26
Tube Size	(in.)	3/8"

Indoor Unit		
Fan type		Cross Flow
Dia. & Length (in.) - No. Speeds		4-13/18 L46 - 1
No. Speeds		3 & Auto
No. Poles	(RPM, High)	4 - 1273
No. Motors	(W)	1 - 50
CFM	(Hi/Med/Lo)	830/710/590
Indoor Sound Rating	(Hi) (dB-A)	48
F.L. Amps	(A)	0.5

		Aluminum Plate Fin & Copper Tube
Coil Type		Aluminum Plate Fin & Copper Tube
Fin Type - Pipe Type		Slit Plate - Inner Riffled
Rows - F.P.I.		3 - 12.7
Face Area	(sq.ft.)	3.23
Tube Size	(in.)	3/8"
Drain Connection Size	(in.)	1-1/4"

Refrigerant		R410A
Lbs. - R410a (outdoor unit)		6.17
Control		Electric Expansion Valve
Connection		Flare
Line Length, Max (ft.)		165
Lift Difference, Max (ft.)		50 (outdoor lower), 100 (outdoor higher)
Line Size	(in. O.D. Discharge)	3/8"
Line Size	(in. O.D. Suction)	5/8"

Dimensions	(in.)	H x W x D
Indoor Unit	(Uncrated)	14-9/16 x 59-1/16 x 9-7/16
	(Crated)	18-7/16 x 62-9/16 x 12-9/16
Outdoor Unit	(Uncrated)	30-23/32 x 37 x 13-3/8
	(Crated)	34-31/32 x 39-31/32 x 16-3/32

Weight		Indoor	Outdoor
Net	(lbs.)	72.8	143
Shipping	(lbs.)	90.4	161

Shipping Volume	(cu.ft.)	Indoor	Outdoor
		8.4	13.0

## Performance Data @ ARI Standard Conditions (230/208V)

Cooling		
Total Capacity	(BTU/H)	31,400 (9,500-31,400)
Sensible Capacity	(BTU/H)	18,760
Latent Capacity	(BTU/H)	12,640
SEER		15.9
Dehumidification	(Pints/H)	10.0
Amps	(A)	17.9/19.8
Power Inputs	(W)	3,750/3,750
Outdoor Sound Rating	(dB-A)	52

Heating		
Total Capacity	(BTU/H)	36,400 (8,000-36,400)
HSPF		9

# ➔➔➔ Dimensions

Amps	(A)	15.9/17.6
Max. Amps	(A)	15.9/17.6
Power Inputs	(W)	3,320/3,320
Back-up Strip Heater	(KW)	0.00/0.00
Outdoor Sounds Rating	(dB-A)	52

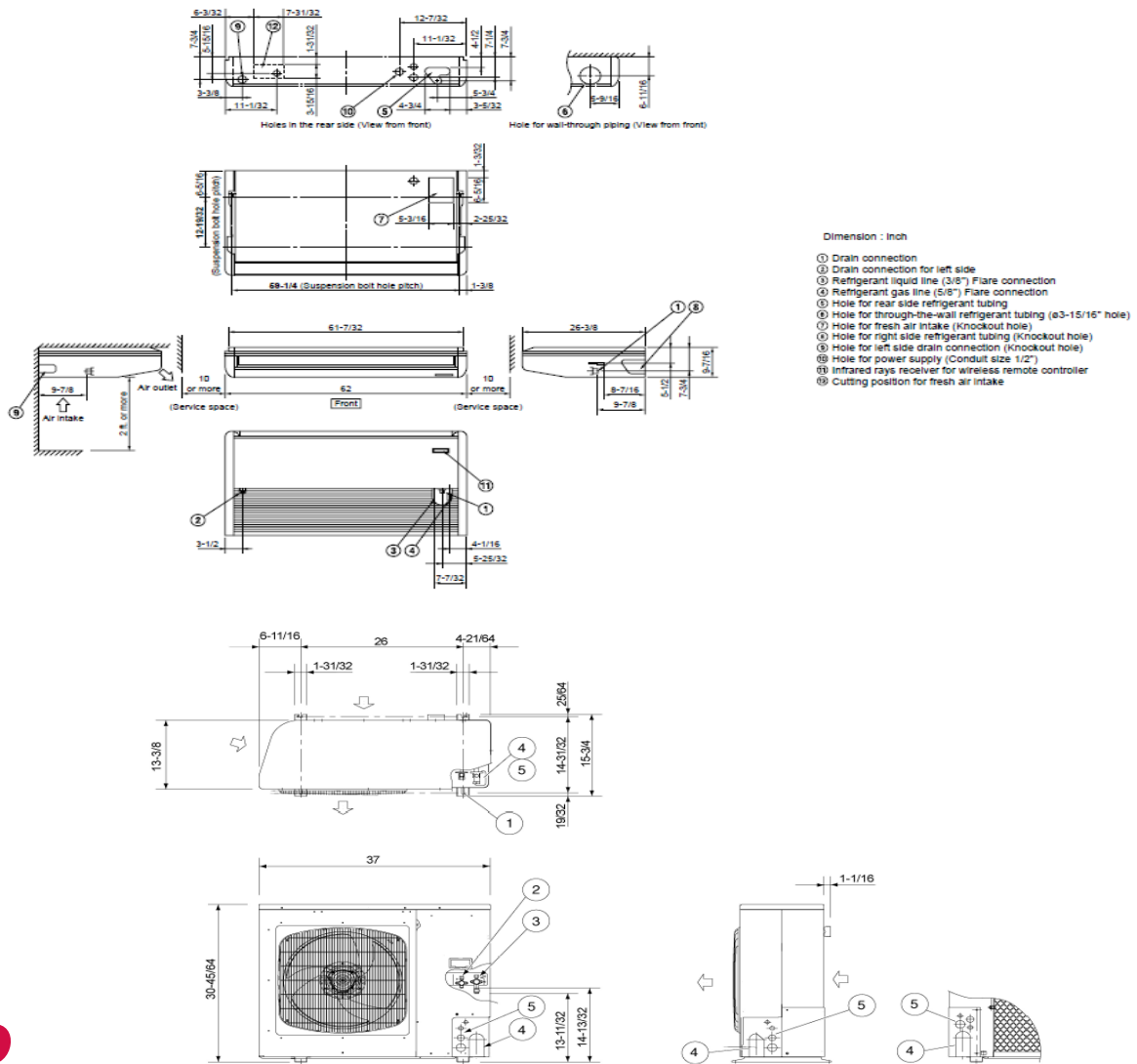
<b>Option</b>		
Refrigerant Line Set		Available
Fresh Air Intake		Knock out
Air duct Extension		N/A
Indoor Frame Extension		N/A
Condensate Drain Pump		Available
Non-Removeable Remo-con Bracket		Available

## Feature

Controls		Microprocessor
Remote Controller	LCD Wired Type, Temp. Sensor Built In	
Temperature Control		IC Thermostat
Timer		72 Hour ON/OFF
Night Setback		Built-In
Air Louver	(Horizontal)	Manual
	(Vertical)	Automatic
Power Failure Automatic Restart		Built-In
Heating/Cooling Automatic Changeover		Built-In
Self-Diagnosis		Built-In
Air Filter		Washable, Anti-Mold

## Operating Range

		Indoor Air Intake Temp.	Outdoor Air Intake Temp.
Cooling	Maximum	95F DB/71F WB	115F DB
	Minimum	67F DB/57F WB	0F DB
Heating	Maximum	80F DB/67F WB	75F DB/65F WB
	Minimum	-DB/-WB	5F DB



①	Hole for anchor bolt (4-R6.5) / Anchor bolt: M10
②	Refrigerant tube joint (liquid line tube) • Flare connection 3/8 in (9.52 mm)
③	Refrigerant tube joint (gas line tube) • Flare connection 5/8 in (15.88 mm)
④	Refrigerant tubing inlet (knock-out hole)
⑤	Power supply inlet (knock-out hole ø38, ø29, ø19, ø16 mm)