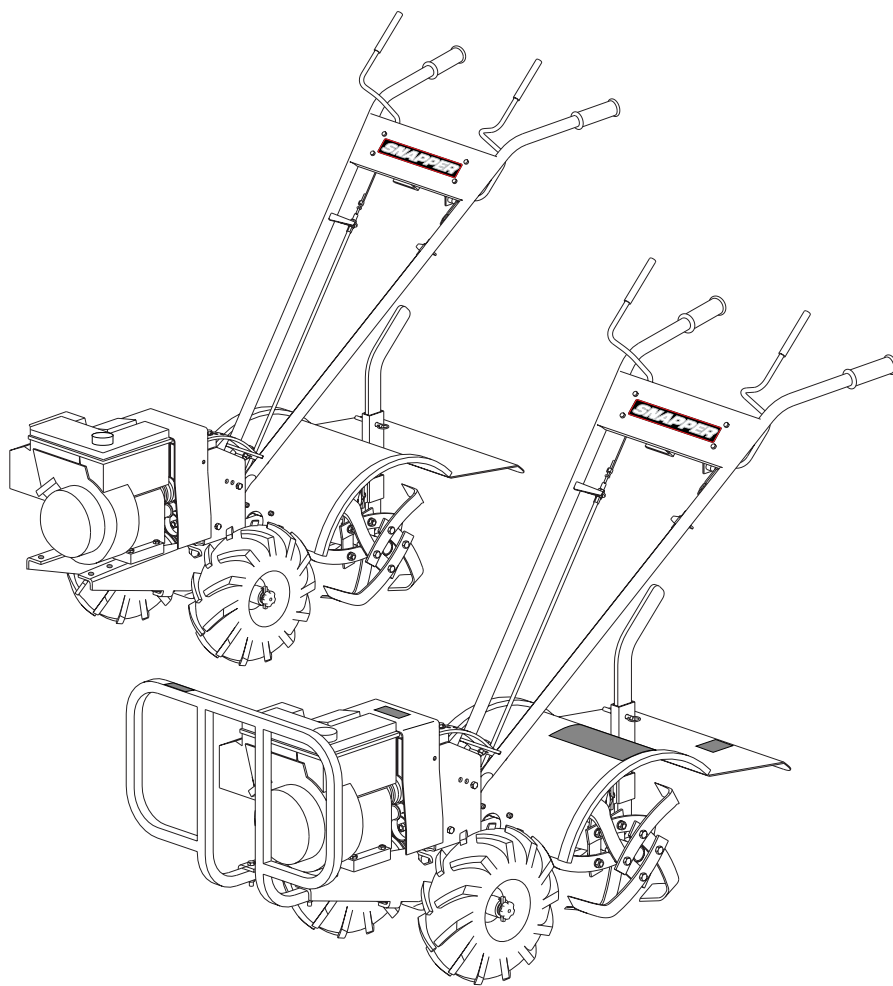


Parts Manual for
SNAPPER[®]

INTERMEDIATE REAR TINE TILLER
6 & 7 HP 16" TWO SPEED

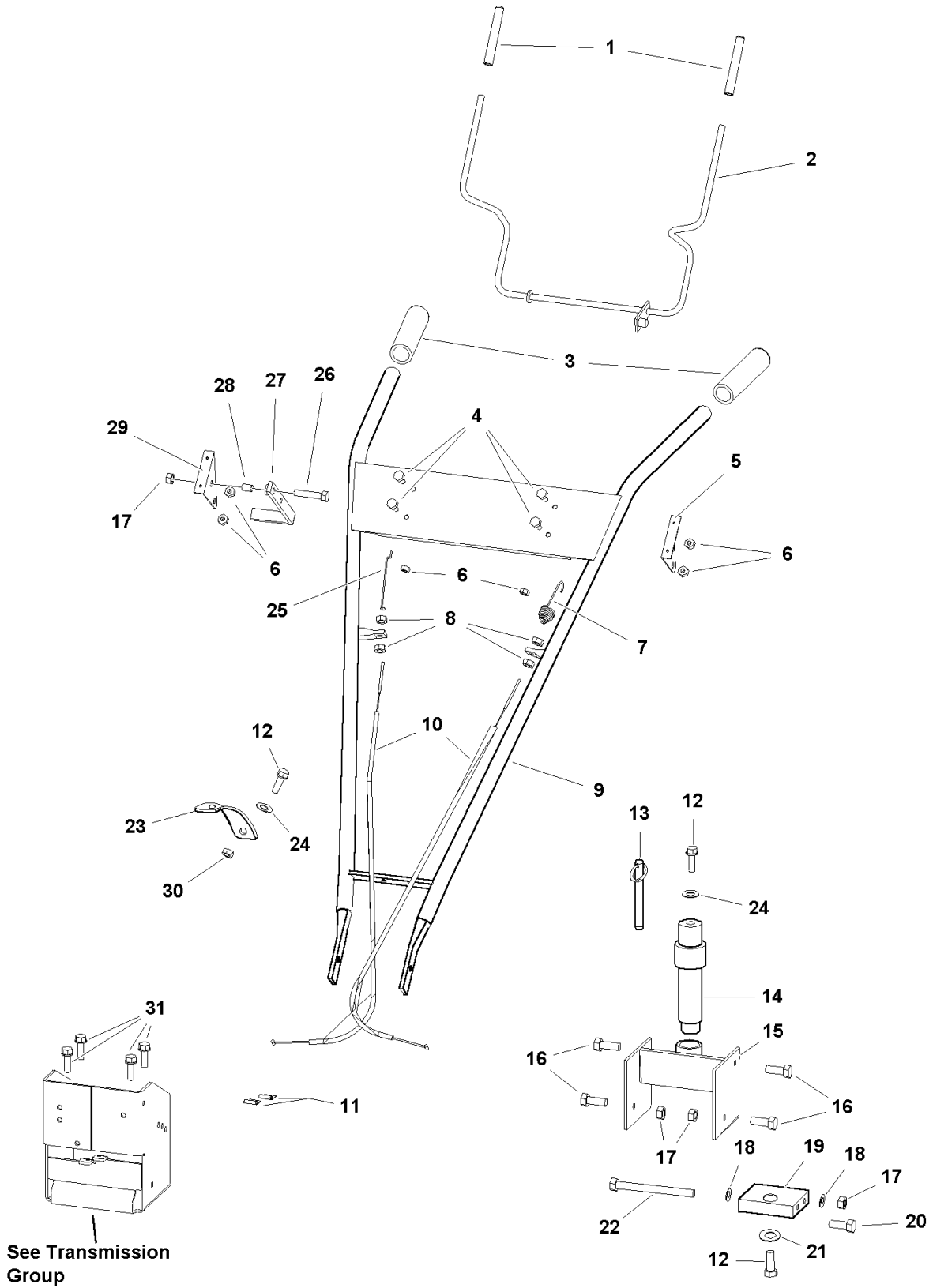


| MODEL |
|------------------|
| 6016RT (7800052) |
| 7016RT (7800053) |

SNAPPER McDonough, GA, 30253 U.S.A.

| PAGE | GROUP |
|-------------|--------------------------------------|
| 4 | Handle Bar Group |
| 6 | Engine, Belts & Wheels Group - 6 HP |
| 10 | Engine, Belts & Wheels Group - 7 HP |
| 14 | Transmission Group |
| 16 | Wheel & Tiller Shaft Group |
| 18 | Hood, Drag Stake & Tine Group - 6 HP |
| 20 | Hood, Drag Stake & Tine Group - 7 HP |
| 22 | Decal Group |
| 24 | Hiller/Furrower Attachment |

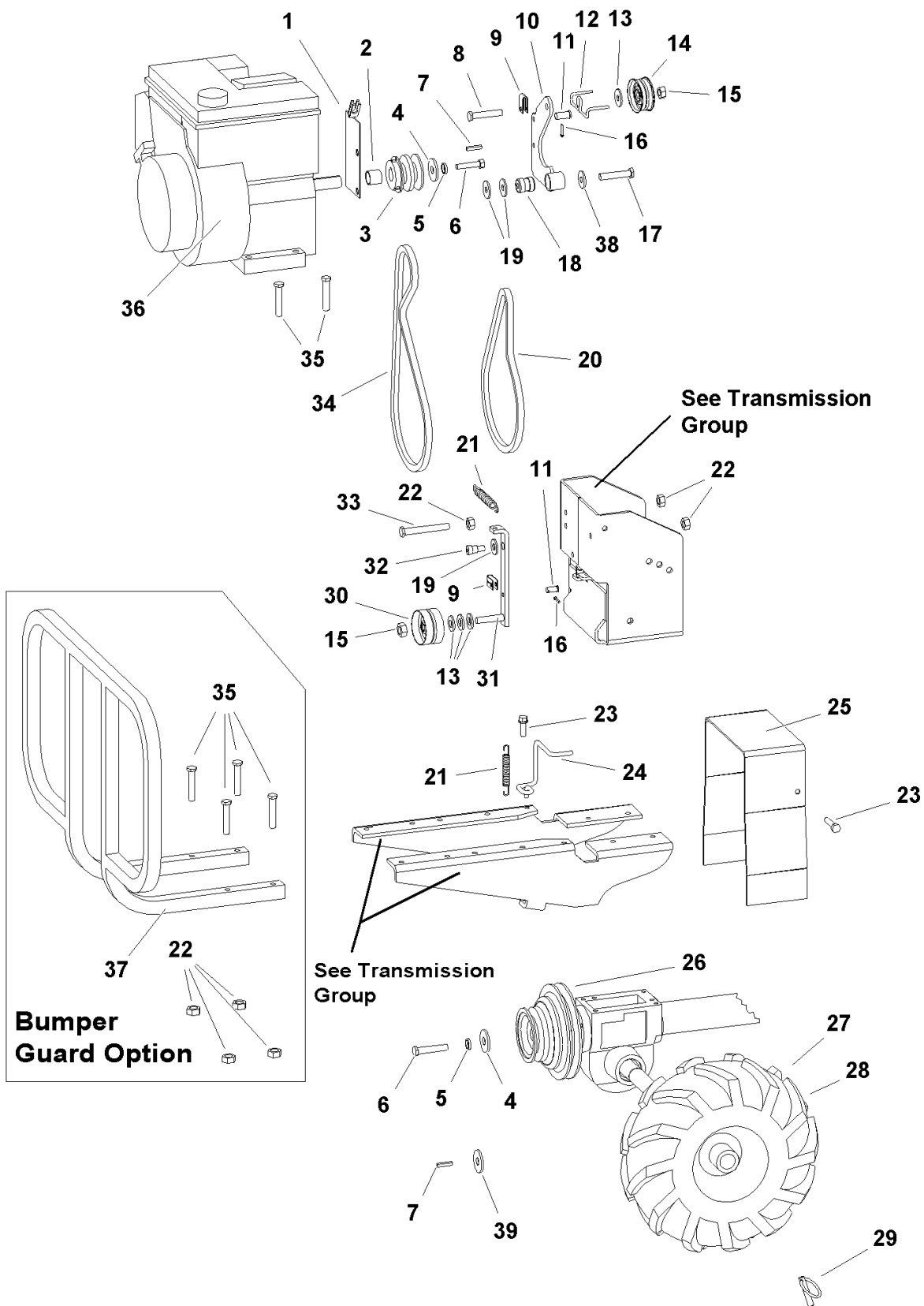
Handle Bar Group



Handle Bar Group

| Item | Part No | Qty | Description | Note |
|------|---------|-----|---------------------------------------|------|
| 1 | 1716699 | 2 | HANDLE GRIP, Drive Control Lever | |
| 2 | 1722325 | 1 | LEVER, Drive Control | |
| 3 | 1719038 | 2 | HANDLE GRIP | |
| 4 | 1960392 | 4 | SCREW, Pan Head Phillips #10-24 x 1/2 | |
| 5 | 1716723 | 1 | BRACKET, Drive Control Lever LH | |
| 6 | 1933896 | 6 | NUT, Hex Nylock, 10-24 | |
| 7 | 1716720 | 1 | SPRING, Forward Cable Adjustment | |
| 8 | 2820438 | 4 | NUT, Hex Jam, 5/16-24 | |
| 9 | 1723692 | 1 | HANDLE BAR ASSEMBLY | |
| 10 | 1719037 | 2 | CABLE ASSEMBLY | |
| 11 | 1719063 | 2 | C-CLAMP | |
| 12 | 1921332 | 3 | CAPSCREW, Hex Head, 5/16-18 x 3/4 | |
| 13 | 1723703 | 1 | PIN, Detent | |
| 14 | 1723695 | 1 | PIVOT ROD ASSEMBLY | |
| 15 | 1723696 | 1 | PIVOT MOUNT ASSEMBLY | |
| 16 | 1921210 | 4 | CAPSCREW, Hex Head, 3/8-16 x 1 | |
| 17 | 1916950 | 5 | NUT, Hex, 3/8-16 | |
| 18 | 1924940 | 2 | WASHER | |
| 19 | 1723694 | 1 | PIVOT, Handle Bar Mount | |
| 20 | 1920415 | 1 | CAPSCREW, Hex Head, 3/8-16 x 1-1/4 | |
| 21 | 1716770 | 1 | WASHER | |
| 22 | 1922648 | 1 | CAPSCREW, Hex Head 3/8-16 x 4 | |
| 23 | 1723697 | 1 | PIVOT, Hnadle Bar Height Adjustment | |
| 24 | 1960044 | 2 | WASHER | |
| 25 | 1716729 | 1 | LINK, Reverse | |
| 26 | 1921977 | 1 | CAPSCREW, Hex Head, 5/16-18 x 1-1/4 | |
| 27 | 1716725 | 1 | HANDLE, Reverse | |
| 28 | 1716704 | 1 | BUSHING, Pivot, 5/16 | |
| 29 | 1716722 | 1 | BRACKET, Drive Control Lever RH | |
| 30 | 1935048 | 2 | NUT, Hex Flange Tow Way Lock, 5/16-18 | |
| 31 | 1921332 | 4 | BOLT, Hex Flange Head, 5/16-18 x 3/4 | |

Footnotes:



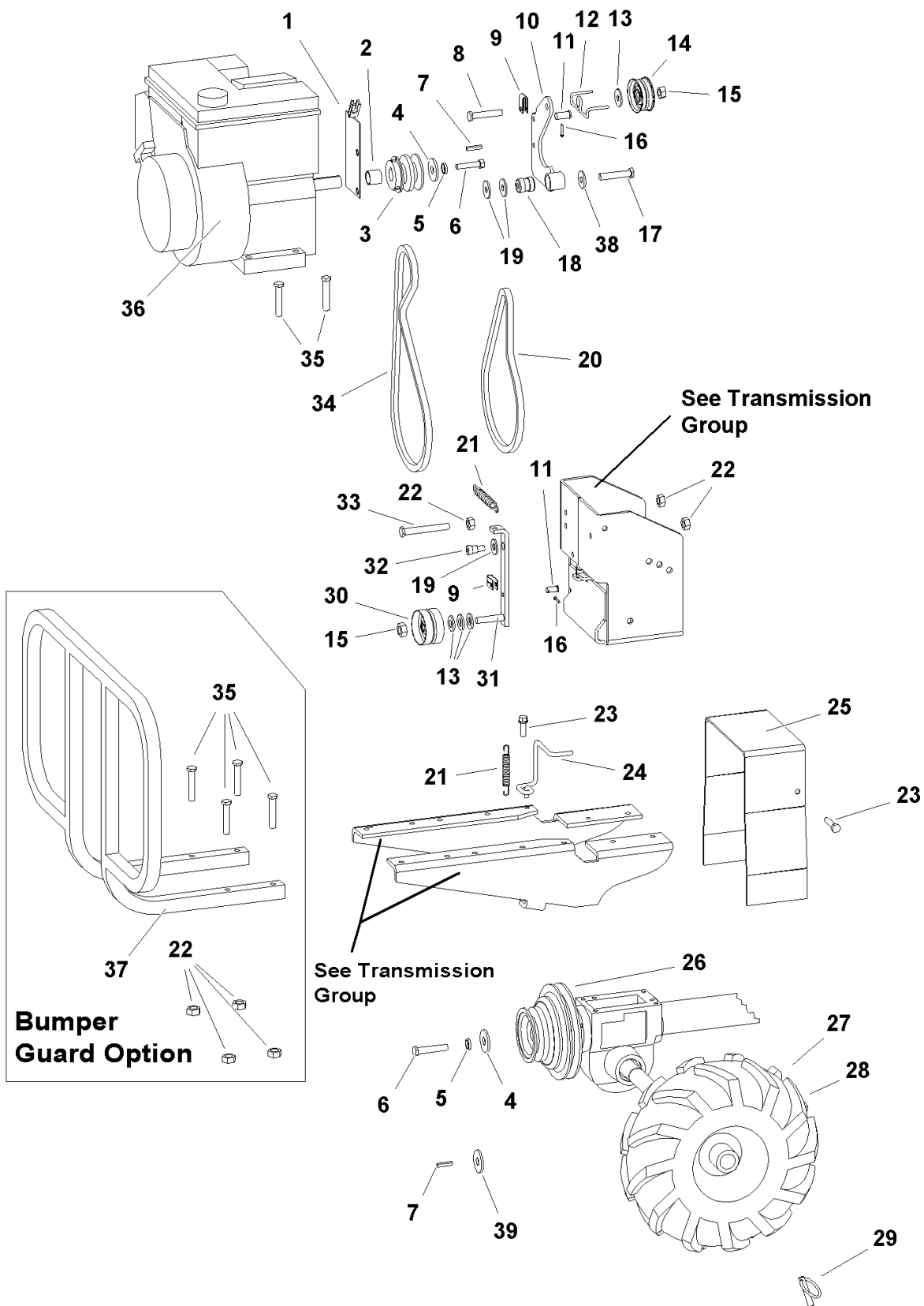
Engine, Belts & Wheels Group - 6 HP

| Item | Part No | Qty | Description | Note |
|------|---------|-----|--|------|
| 1 | 1722157 | 1 | BRACKET, Engine | |
| 2 | 1723711 | 1 | SPACER, Engine | |
| 3 | 1722158 | 1 | PULLEY, Engine 2 Groove | |
| 4 | 1716770 | 1 | WASHER | |
| 5 | 1917356 | 2 | LOCKWASHER, Spring, 5/16 | |
| 6 | 1921515 | 2 | CAPSCREW, Hex Head, 5/16-24 x 3/4 | |
| 7 | 2805850 | 2 | KEY, PARALLEL PLN, 3/16 x 3/16 x 1-3/32 | |
| 8 | 1960345 | 1 | CAPSCREW, Hex Head, 3/8-24 x 2 | |
| 9 | 1716728 | 2 | YOKE, Cable | |
| 10 | 1722159 | 1 | ARM, Pivot | |
| 11 | 1716702 | 2 | PIN, Link Forward/Reverse | |
| 12 | 1722162 | 1 | GUIDE, Belt Reverse | |
| 13 | 1924940 | 4 | WASHER, 3/8 | |
| 14 | 1716805 | 1 | PULLEY, Idler Reverse | |
| 15 | 1916950 | 2 | NUT, Hex Center Lock, 3/8-16 | |
| 16 | 1716703 | 2 | PIN, Cotter | |
| 17 | 1723710 | 1 | BOLT, Flat Head, 5/16-24 x 1-1/2 | |
| 18 | 1722160 | 1 | PIVOT | |
| 19 | 1960044 | 3 | WASHER, 5/16 | |
| 20 | 1716766 | 1 | V-BELT, Forward | |
| 21 | 1716802 | 2 | SPRING, Idler Arm | |
| 22 | 1935048 | 3 | NUT, Hex Flange Lock, 5/16-18 | |
| 23 | 1921332 | 3 | BOLT, Hex Flange Head, 5/16-18 x 3/4 | |
| 24 | 1722161 | 1 | GUIDE, Belt Forward | |
| 25 | 1722165 | 1 | COVER, Belt | |
| 26 | 1722163 | 1 | PULLEY, Transmission 2 Groove | |
| 27 | 1721525 | 1 | WHEEL & TIRE ASSEMBLY TILLER, Left | |
| 28 | 1721524 | 1 | WHEEL & TIRE ASSEMBLY TILLER, Right | |
| 29 | 1716776 | 2 | PIN, Lock | |
| 30 | 1716803 | 1 | PULLEY, Forward Idler | |
| 31 | 1722166 | 1 | ARM, Idler Forward | |
| 32 | 1722168 | 1 | SCREW, Hex Socket Shoulder, 5/16-18 x 3/8 | |
| 33 | 1925690 | 1 | CAPSCREW, Hex Head, 5/16-18 x 3-1/2 | |
| 34 | 1722144 | 1 | V-BELT, Reverse | |
| 35 | 1922127 | 4 | CAPSCREW, Hex Head, 5/16-18 x 1-3/4 | |
| 36 | | 1 | ^ ENGINE, 6HP B&S INTEK, Model #126412-0023-E2 | |
| 37 | 1721528 | 1 | ^ BUMPER, Guard (Optional) | |

Footnotes:

^See your local Briggs & Stratton dealer for Parts & Service.

^Bumper is not standard with the 6HP tiller, but it is an available option, order the bumper guard (Ref# 37), 4 nuts (Ref# 22) and 4 capscrews (Ref# 35).



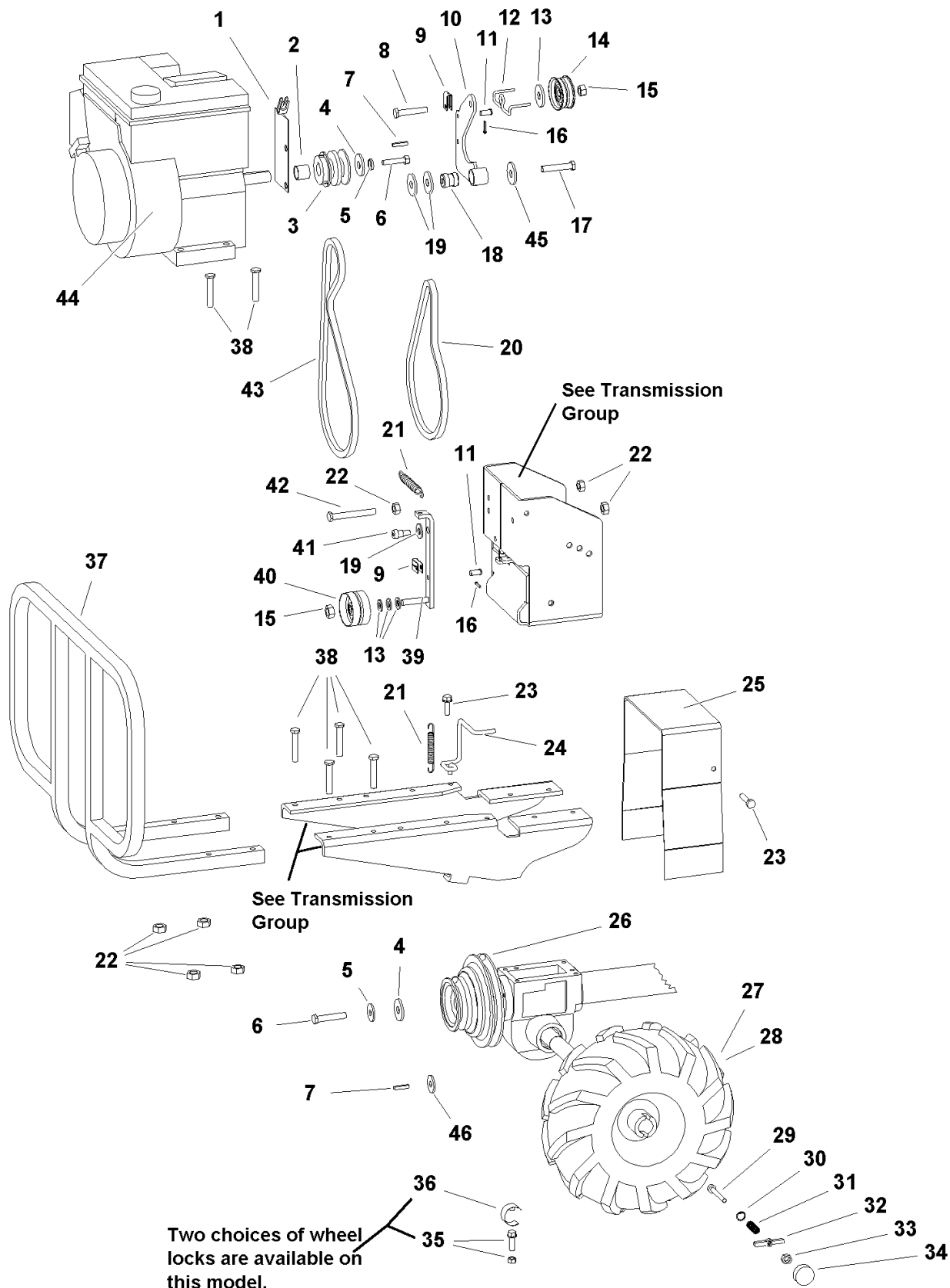
Engine, Belts & Wheels Group - 6 HP

| Item | Part No | Qty | Description | Note |
|-------------|----------------|------------|--------------------|-------------|
| 38 | 1919384 | 1 | WASHER | |
| 39 | 2860164 | 1 | WASHER | |

Footnotes:

^See your local Briggs & Stratton dealer for Parts & Service.

^Bumper is not standard with the 6HP tiller, but it is an available option, order the bumper guard (Ref# 37), 4 nuts (Ref# 22) and 4 capscrews (Ref# 35).

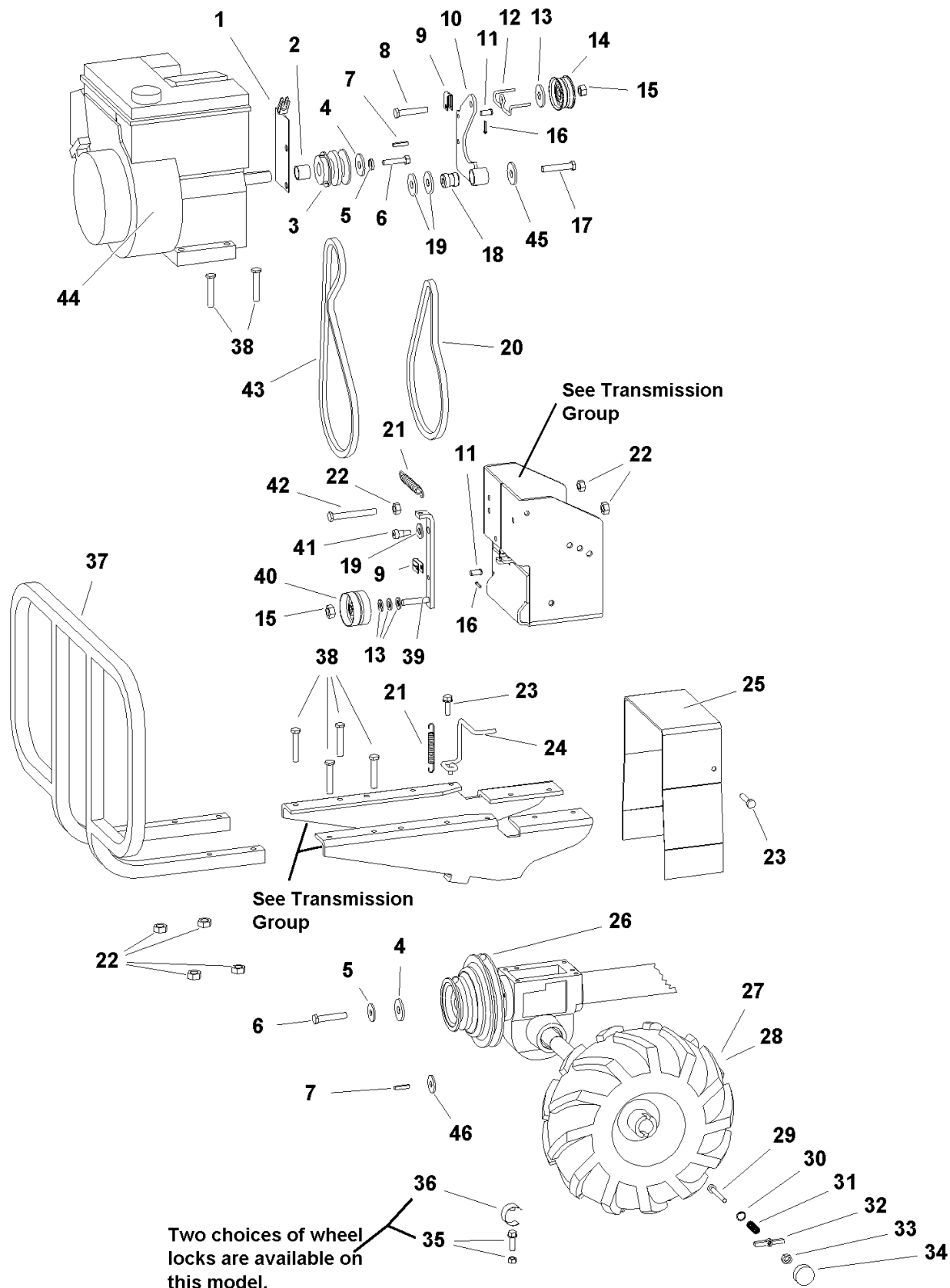


Engine, Belts & Wheels Group - 7 HP

| Item | Part No | Qty | Description | Note |
|------|---------|-----|--|------|
| 1 | 1722157 | 1 | BRACKET, Engine | |
| 2 | 1723711 | 1 | SPACER, Engine | |
| 3 | 1722158 | 1 | PULLEY, Engine 2 Groove | |
| 4 | 1716770 | 2 | WASHER | |
| 5 | 1917356 | 2 | LOCKWASHER, Spring 5/16 | |
| 6 | 1921515 | 2 | CAPSCREW, Hex Head, 5/16-24 x 3/4 | |
| 7 | 2805850 | 2 | KEY, Parallel | |
| 8 | 1960345 | 1 | CAPSCREW, Hex Head, 3/8-24 x 2 | |
| 9 | 1716728 | 2 | YOKE, Cable | |
| 10 | 1722159 | 1 | ARM, Pivot | |
| 11 | 1716702 | 2 | PIN, LINK Forward/Reverse | |
| 12 | 1722162 | 1 | GUIDE, Belt Reverse | |
| 13 | 1924940 | 4 | WASHER, 3/8 | |
| 14 | 1716805 | 1 | PULLEY, Idler Reverse | |
| 15 | 1930651 | 2 | NUT, Hex Center Lock, 3/8-16 | |
| 16 | 1716703 | 2 | PIN, Cotter | |
| 17 | 1723710 | 1 | BOLT, Flat Head, 5/16-24 x 1-1/2 | |
| 18 | 1722160 | 1 | PIVOT | |
| 19 | 1960044 | 3 | WASHER, 5/16 | |
| 20 | 1716766 | 1 | V-BELT, Forward | |
| 21 | 1716802 | 2 | SPRING, Idler Arm | |
| 22 | 1935048 | 7 | NUT, Hex Flange 5/16-18 | |
| 23 | 1921332 | 3 | BOLT, Hex Flange Head, 5/16-18 x 3/4 | |
| 24 | 1722161 | 1 | GUIDE, Belt Forward | |
| 25 | 1722165 | 1 | COVER, Belt | |
| 26 | 1722163 | 1 | PULLEY, Transmission 2 Groove | |
| 27 | 1716773 | 1 | WHEEL & TIRE ASSEMBLY, Tiller LH | |
| 28 | 1716775 | 1 | WHEEL & TIRE ASSEMBLY, Tiller RH | |
| 29 | 1716782 | 2 | CAPSCREW, Hex Socket Head, 1/4-20 x 2-3/32 | |
| 30 | 1960151 | 2 | WASHER, 1/4 | |
| 31 | 1716781 | 2 | SPRING | |
| 32 | 1716778 | 2 | PIN, Lock | |
| 33 | 2828372 | 2 | NUT, Hex KEPS 1/4-20 | |
| 34 | 1716777 | 1 | KNOB, Lock Out Set of Two | |
| 35 | 1722185 | 2 | SETSCREW, Wheel Lockout | |
| 36 | 1722171 | 2 | CLAMP, C Wheel Lockout | |
| 37 | 1721528 | 1 | BUMPER, Guard | |

Footnotes:

^See your local Briggs & Stratton dealer for Parts & Service.

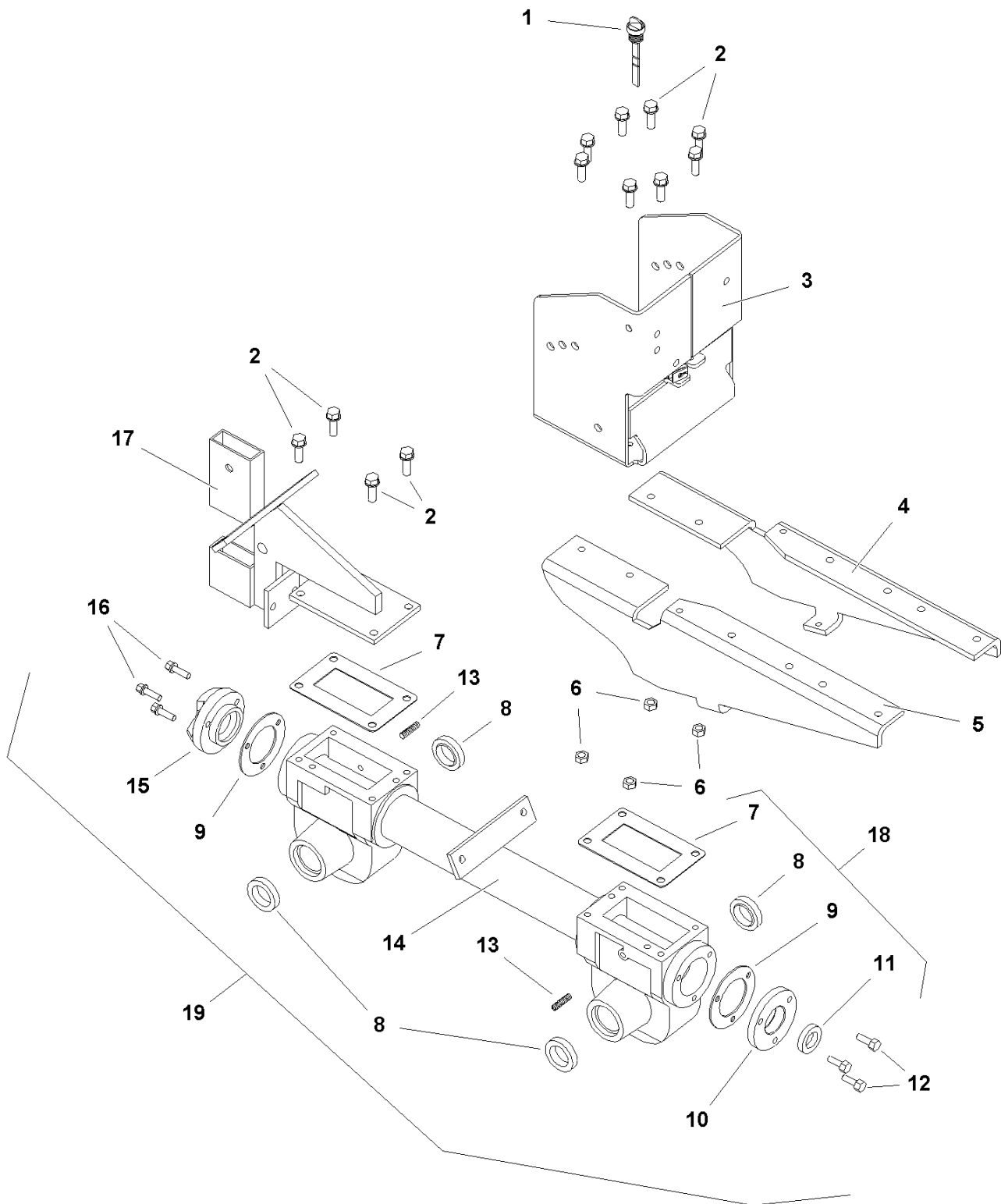


Engine, Belts & Wheels Group - 7 HP

| Item | Part No | Qty | Description | Note |
|-------------|----------------|------------|--|-------------|
| 38 | 1922127 | 8 | CAPSCREW, Hex Head, 5/16-18 x 1-3/4 | |
| 39 | 1722166 | 1 | ARM, Idler Forward | |
| 40 | 1716803 | 1 | PULLEY, Forward Idler | |
| 41 | 1722168 | 1 | SCREW, Hex Socket Shoulder, 5/16-18 x 3/8 | |
| 42 | 1925690 | 1 | CAPSCREW, Hex Head, 5/16-18 x 3-1/2 | |
| 43 | 1722144 | 1 | V-BELT, Reverse | |
| 44 | | 1 | ^ ENGINE, 7HP B&S INTEK, Model #120412-0141-E1 | |
| 45 | 1919384 | 1 | WASHER, 3/8 | |
| 46 | 2860164 | 1 | WASHER | |

Footnotes:

^See your local Briggs & Stratton dealer for Parts & Service.

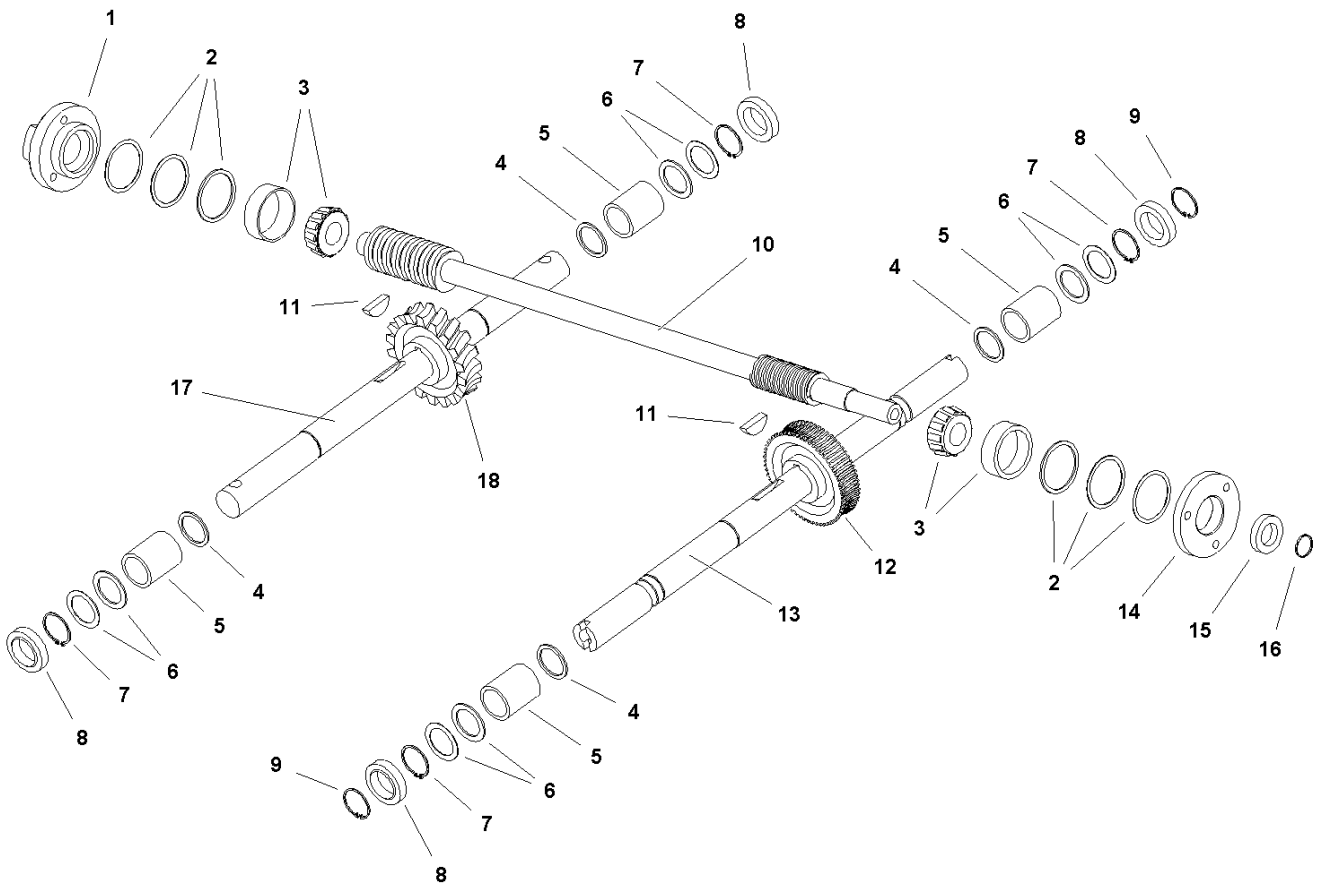


Transmission Group

| Item | Part No | Qty | Description | Note |
|-------------|----------------|------------|---|-------------|
| 1 | 1723700 | 1 | DIPSTICK | |
| 2 | 1921332 | 12 | CAPSCREW, Hex Head, 5/16-18 x 3/4 | |
| 3 | 1722327 | 1 | COVER PLATE & MOUNT | |
| 4 | 1716753 | 1 | BRACKET, Engine Mount LH | |
| 5 | 1716752 | 1 | BRACKET, Engine Mount RH | |
| 6 | 1935048 | 4 | NUT, Hex Flange Lock, 5/16-18 | |
| 7 | 1716789 | 2 | GASKET, Housing & Transmission Cover | |
| 8 | 1716791 | 4 | SEAL, Housing | |
| 9 | 1716792 | 2 | GASKET, Bearing Cap Front/Rear | |
| 10 | 1716796 | 1 | CAP, Rear Bearing | |
| 11 | 1716797 | 1 | SEAL, Oil, Drive Shaft | |
| 12 | 1716798 | 3 | BOLT, Hex Flange Head, 1/4-20 x 3/4 | |
| 13 | 1716790 | 2 | PLUG, Pipe, Socket Head, Oil Check, 1/4-18 | |
| 14 | 1722330 | 1 | TRANSMISSION, Housing, Tiller Casting | |
| 15 | 1716793 | 1 | CAP, Rear Bearing | |
| 16 | 1716795 | 3 | BOLT, Hex Flange Head, 1/4-20 x 7/8 | |
| 17 | 1721511 | 1 | BRACKET, Depth Regulator RT | |
| 18 | 1716799 | 1 | GASKET KIT, Oil Seal (Includes Ref. 7, 8, 9, and 11) | |
| 19 | 1723699 | 1 | TRANSMISSION ASSEMBLY, Complete, w/Lockouts - 6 HP | |
| 19 | 1723701 | | TRANSMISSION ASSEMBLY, Complete - 7 HP | |

Footnotes:

Wheel & Tiller Shaft Group

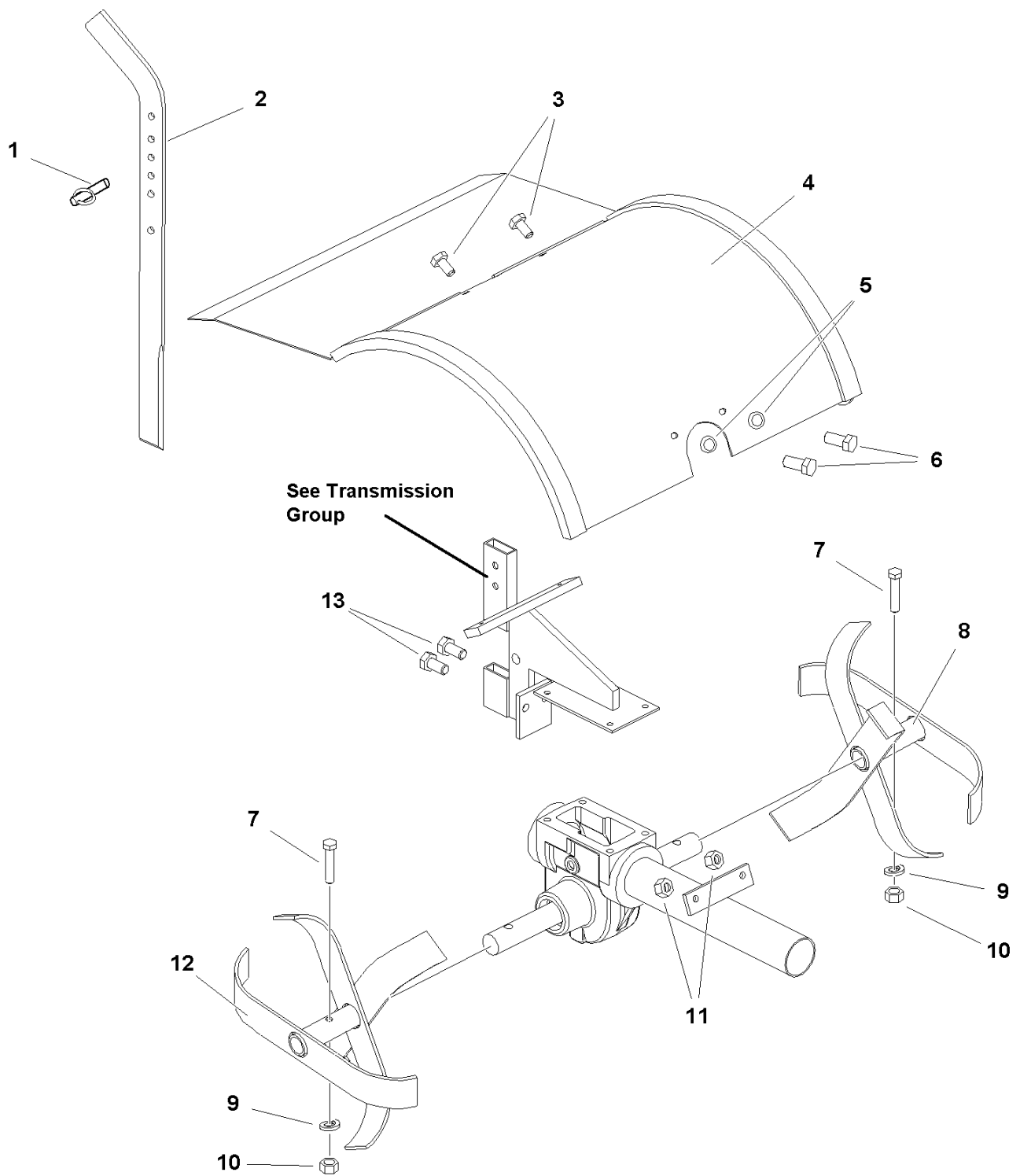


Wheel & Tiller Shaft Group

| Item | Part No | Qty | Description | Note |
|------|---------|-----|--|------|
| 1 | 1716793 | 1 | CAP, Rear Bearing | |
| 2 | 1716825 | 1 | SHIM SET, Rear Bearing Cap | |
| 2 | 1716826 | 1 | SHIM, 0.062 THK1-3/4" x OD1806 (As Required) | |
| 2 | 1716827 | 1 | SHIM, 0.030 THK1-3/4" x OD1807 (As Required) | |
| 2 | 1716828 | 1 | SHIM, 0.015 THK1-3/4" x OD1808 (As Required) | |
| 2 | 1716829 | 1 | SHIM, 0.010 THK1-3/4" x OD1809 (As Required) | |
| 3 | 1716810 | 2 | BEARING, Tapered (Cone & Race) | |
| 4 | 1716824 | 4 | SPACER, 1" x 1-1/4" | |
| 5 | 1716816 | 4 | BUSHING | |
| 6 | 1716815 | 4 | SHIM SET, Axle Spacer | |
| 6 | 1716817 | 1 | SHIM, 0.062 THK1-3/8" x OD1705 (As Required) | |
| 6 | 1716818 | 1 | SHIM, 0.030 THK1-3/8" x OD1706 (As Required) | |
| 6 | 1716819 | 1 | SHIM, 0.015 THK1-3/8" x OD1707 (As Required) | |
| 6 | 1716820 | 1 | SHIM, 0.010 THK1-3/8" x OD1708 (As Required) | |
| 7 | 1716830 | 4 | RING, Snap, Internal Retainer | |
| 8 | 1716791 | 4 | SEAL, Housing | |
| 9 | 1716821 | 2 | RING, Snap, External Retainer | |
| 10 | 1722333 | 1 | DRIVE SHAFT, Main | |
| 11 | 1716813 | 2 | KEY, Parallel Plane 1/4" x 1/4" x 1" | |
| 12 | 1716814 | 1 | GEAR, Worm, Wheels Shaft | |
| 13 | 1716811 | 1 | SHAFT ASSEMBLY, Wheels w/Lock Pin | |
| 13 | 1716812 | 1 | SHAFT ASSEMBLY, Wheel w/Lock Pin | |
| 14 | 1716796 | 1 | CAP, Rear Bearing | |
| 15 | 1716797 | 1 | SEAL, Oil, Drive Shaft | |
| 16 | 2860164 | 1 | WASHER, 5/8 | |
| 17 | 1716811 | 1 | SHAFT ASSEMBLY, Wheels w/Lock Pin | |
| 18 | 1716823 | 1 | GEAR, Worm Shaft | |

Footnotes:

Hood, Drag Stake & Tine Group - 6 HP

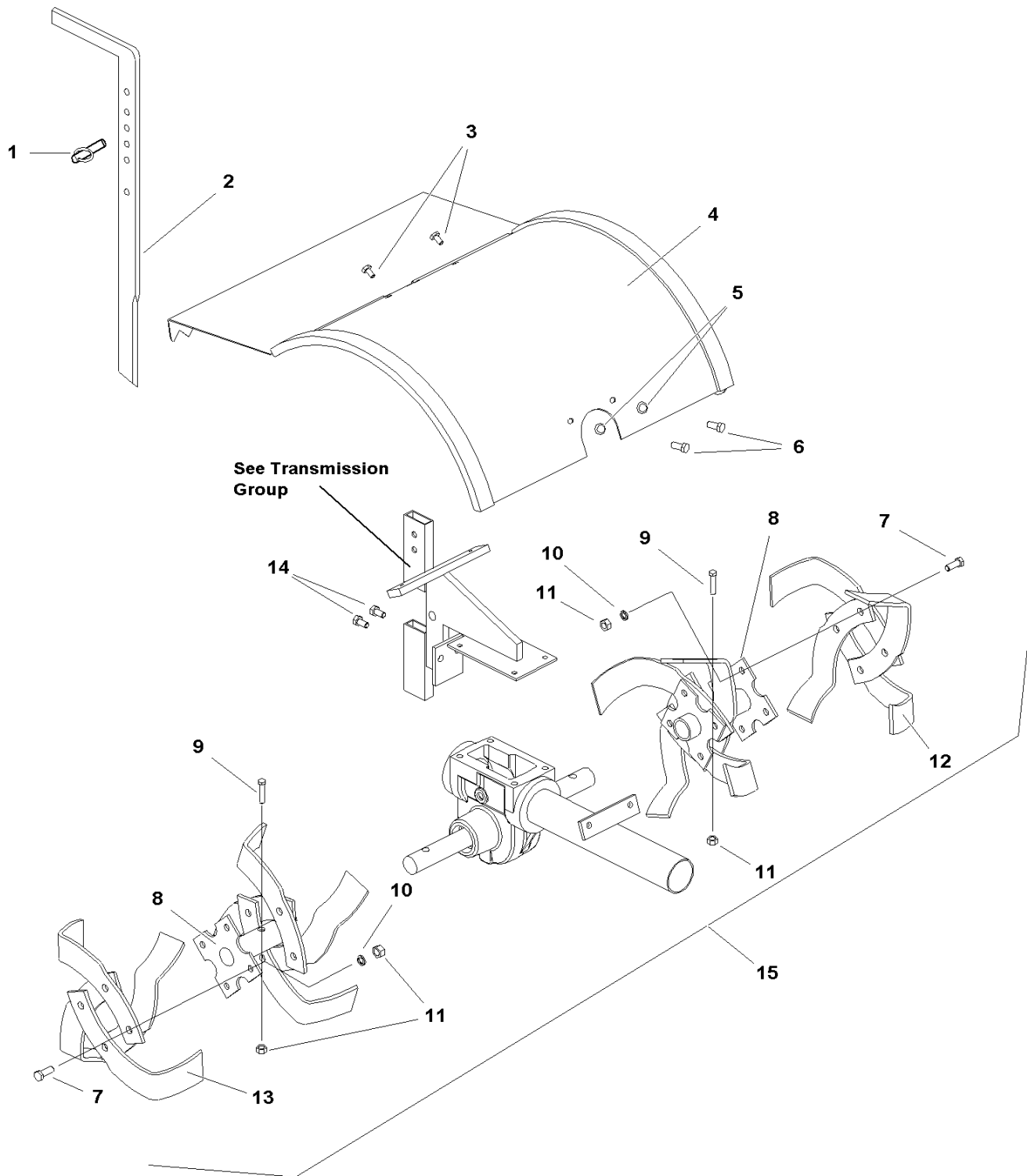


Hood, Drag Stake & Tine Group - 6 HP

| Item | Part No | Qty | Description | Note |
|-------------|----------------|------------|--------------------------------------|-------------|
| 1 | 1723703 | 1 | PIN, Detent, 5/16 | |
| 2 | 1723702 | 1 | LEVER, Depth Regulator | |
| 3 | 1921958 | 2 | CAPSCREW, Hex Head, 1/4 - 20 x 1/2 | |
| 4 | 1722329 | 1 | HOOD, Tiller, No Decal | |
| 5 | 1917356 | 2 | LOCKWASHER, Spring, 5/16 | |
| 6 | 1920787 | 2 | CAPSCREW, Hex Head, 5/16-18 x 1/2 | |
| 7 | 1921971 | 2 | CAPSCREW, Hex Head, 3/8-16 x 1-3/4 | |
| 8 | 1721513 | 1 | TINE ASSEMBLY, LH | |
| 9 | 1916965 | 2 | LOCKWASHER, Spring, 3/8 | |
| 10 | 1930651 | 2 | NUT, Hex Center Lock, 3/8-16 | |
| 11 | 1935048 | 2 | NUT, Hex Flange, 5/16-18 | |
| 12 | 1721514 | 1 | TINE ASSEMBLY, RH | |
| 13 | 1716701 | 2 | BOLT, Hex Flange Head, 5/16-18 x 1/2 | |

Footnotes:

Hood, Drag Stake & Tine Group - 7 HP



Hood, Drag Stake & Tine Group - 7 HP

| Item | Part No | Qty | Description | Note |
|-------------|----------------|------------|---|-------------|
| 1 | 1723703 | 1 | PIN, DETENT 5/16 | |
| 2 | 1723705 | 1 | LEVER, Depth Regulator | |
| 3 | 1921958 | 2 | CAPSCREW, Hex Head, 1/4-20 x 1/2 | |
| 4 | 1722329 | 1 | HOOD, Tiller, No Decal | |
| 5 | 1917356 | 2 | LOCKWASHER, 5/16 | |
| 6 | 1920787 | 2 | CAPSCREW, Hex Head, 5/16-18 x 1/2 | |
| 7 | 1921210 | 16 | CAPSCREW, Hex Head, 3/8-16 x 1 | |
| 8 | 1716741 | 2 | HOLDER, Tine Blade Left and Right | |
| 9 | 1921971 | 2 | CAPSCREW, Hex Head, 3/8-16 x 1-3/4 | |
| 10 | 1916965 | 18 | LOCKWASHER, 3/8 | |
| 11 | 1930651 | 18 | NUT, Hex Centerlock, 3/8-16 | |
| 12 | 1716739 | 8 | TINE BLADE, Left Side | |
| 13 | 1716737 | 8 | TINE BLADE, Right Side | |
| 14 | 1716701 | 2 | BOLT, Hex Flange Head, 5/16-18 x 1/2 | |
| 15 | 1716749 | 1 | REPL KIT, Tine Blade Holder (Includes Reference Nos. 7, 8, 9, 10, 11, 12, and 13) | |

Footnotes:



FORWARD - PULL DOWN ON
DRIVE CONTROL LEVERS
TO ENGAGE WHEELS AND TINES
↓
PULL FOR REVERSE

| | |
|--|---|
| <p>⚠ WARNING</p> <p>AVOID SERIOUS INJURY</p> <ul style="list-style-type: none"> • Read operator's manual before operating. • Know the location and function of all controls. • Keep all shields and guards in place and working while running. • Never allow children to operate tiller. • Dress appropriately — wear sturdy footwear. • Control the speed and direction — remove large rocks and other foreign objects. • Do NOT tilt when underweight or with wet, oily, or other oily items and fluids. <p>STOP THE ENGINE AND DISCONNECT THE SHOCK-A-BREK BEFORE REMOVING Aids or Servicing Unit.</p> <ul style="list-style-type: none"> • When working the operating position for any reason — • Shut off the engine. • Wait for all moving parts to stop. | <p>⚠ WARNING</p> <p>WHEELS ACT AS BRAKES</p> <ul style="list-style-type: none"> • Never step on controls like wheels or the PTO/blade position. Keep your wheel locks in a locked (brake) when to be used only. • Wheels act as brakes to keep the tiller at a constant speed. Always wear seat belts ONLY when engine is stopped. <p>OPERATION</p> <p>REFER TO OPERATOR'S MANUAL FOR DETAILED OPERATING INSTRUCTIONS</p> <p>TO START:</p> <ol style="list-style-type: none"> 1. Raise drive control levers to neutral position. 2. Lower the PTO blade so that it is not touching the ground. 3. Check position of wheels and wheel lockers. 4. Shift blade control to desired position. 5. Move throttle control lever to start position. 6. Pull starter rope. |
|--|---|

⚠ DANGER

AVOID INJURY FROM ROTATING TINES!

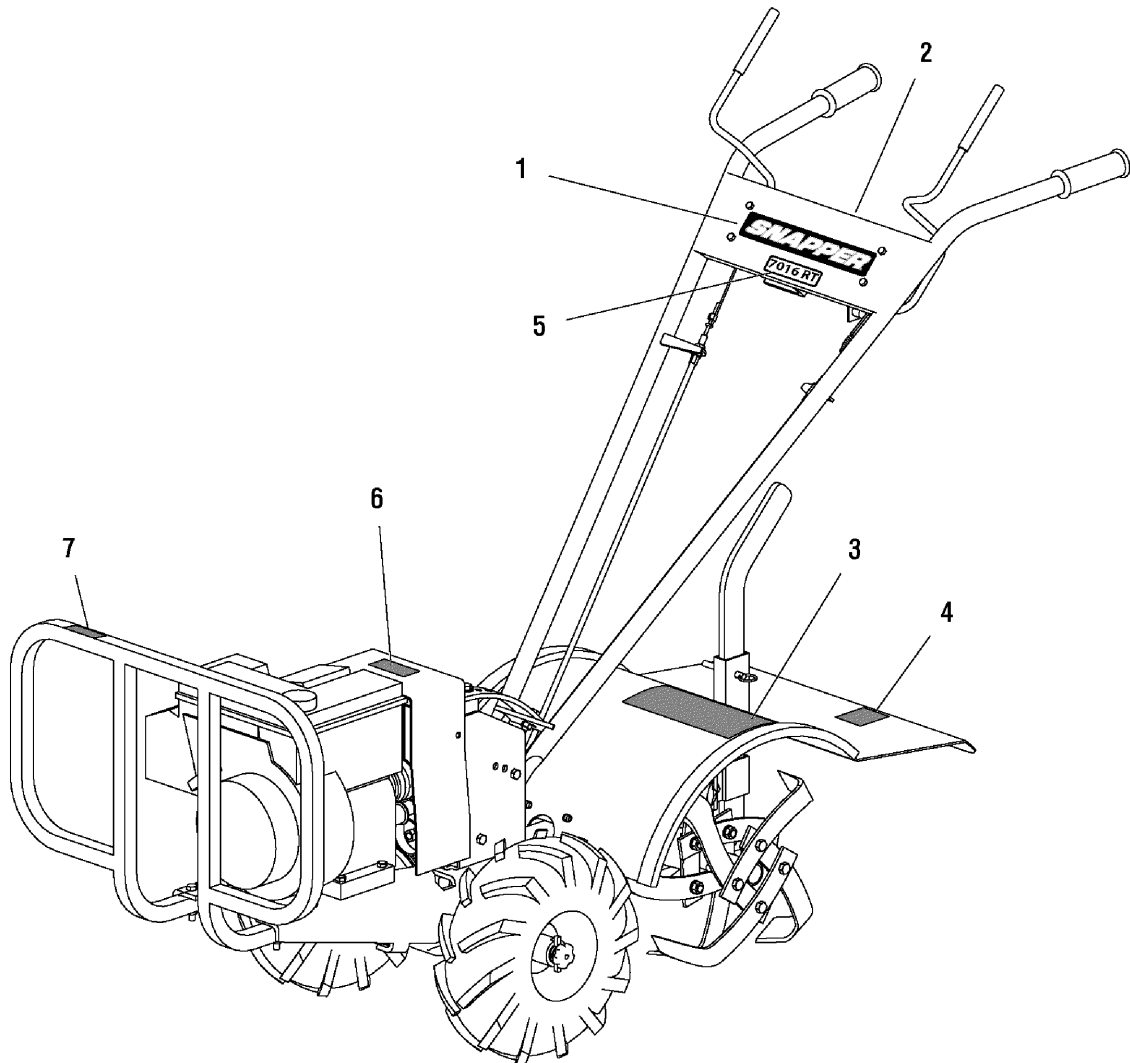
- Always handle, fuel, and oil carefully.
- Tines rotate when tiller is engaged to forward or reverse.
- Tines and return ropes when disengaged rotate very slowly.
- To prevent, keep and shields close when the engine is running to protect back against the operator.
- Retain the drive control levers to neutral when the wheels are down.

7016 RT

⚠ WARNING

DO NOT START ENGINE UNLESS BELT COVER IS ATTACHED. KEEP HANDS, FEET, AND CLOTHING AWAY FROM MOVING BELTS AND PULLEYS. FAILURE TO COMPLY COULD RESULT IN INJURY. SEE OWNER'S MANUAL FOR FULL SAFETY INSTRUCTIONS.

PLACE FREE HAND HERE

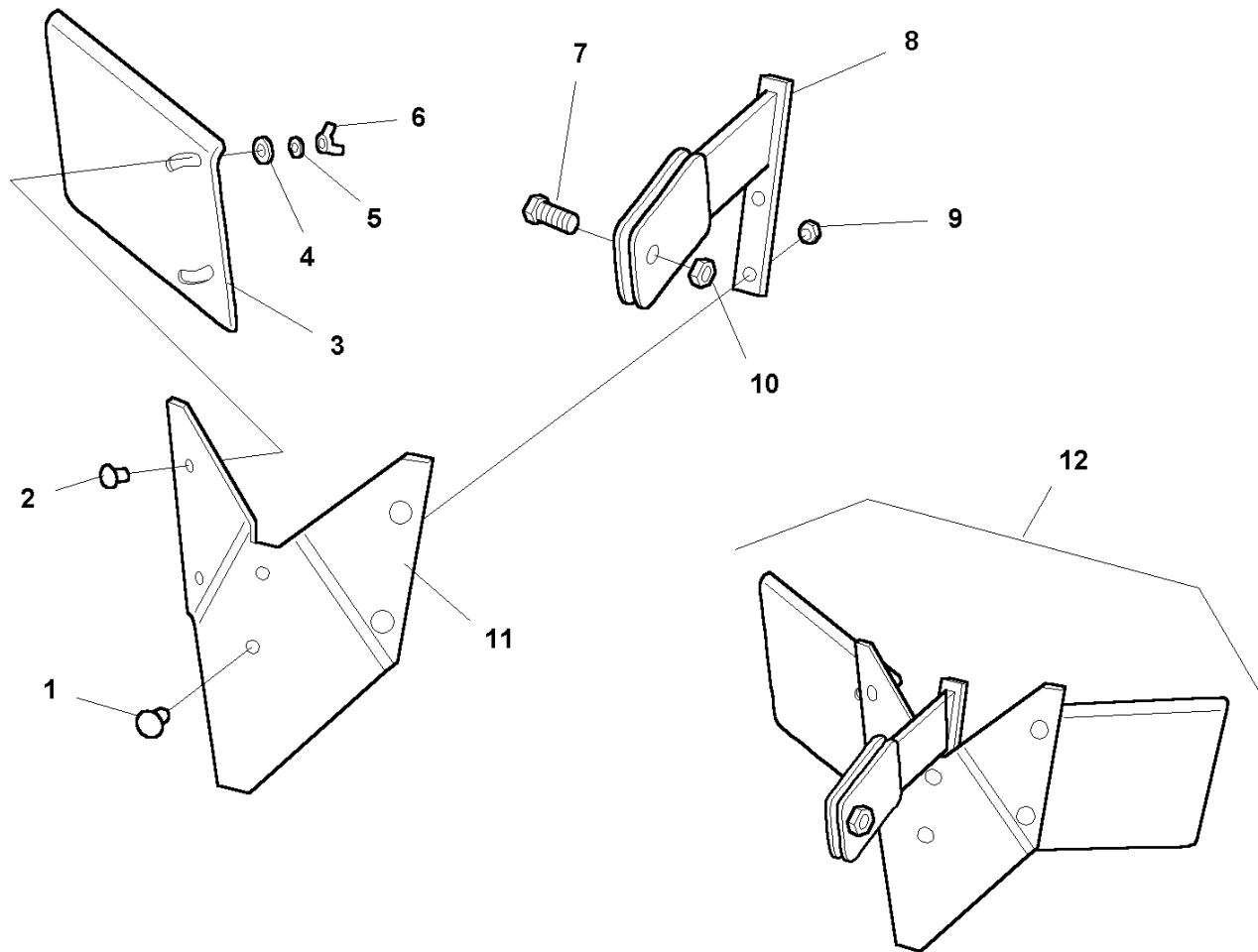


Decal Group

| Item | Part No | Qty | Description | Note |
|-------------|----------------|------------|---|-------------|
| 1 | 1726721 | 1 | DECAL, Snapper | |
| 2 | 1716734 | 1 | DECAL, Console Forward/Reverse Instructions | |
| 3 | 1716747 | 1 | DECAL, Hood, Operator Instructions Label | |
| 4 | 1716840 | 1 | DECAL, Danger, Tine Hood Label | |
| 5 | 1723523 | 2 | DECAL, 6016 RT (not shown) | |
| 5 | 1723522 | 2 | DECAL, 7016 RT | |
| 6 | 1716800 | 1 | DECAL, Warning, Belt Cover | |
| 7 | 1716839 | 1 | DECAL, Brush Bar (on 7 HP model only) | |

Footnotes:

Hiller/Furrower Attachment



Hiller/Furrower Attachment

| Item | Part No | Qty | Description | Note |
|-------------|----------------|------------|--|-------------|
| 1 | 1931352 | 2 | BOLT, Carriage, 3/8-16 x 1-1/2 | |
| 2 | 1931333 | 4 | BOLT, Carriage, 5/16-18 x 3/4 | |
| 3 | 1723726 | 1 | HILLER WING, Left | |
| 3 | 1723727 | 1 | HILLER WING, Right (Not Shown) | |
| 4 | 1960044 | 4 | WASHER, Flat, 5/16 | |
| 5 | 2820426 | 4 | LOCKWASHER, External Tooth, 5/16 | |
| 6 | 1933126 | 4 | WING NUT, 5/16-18 | |
| 7 | 1960268 | 1 | BOLT, Socket Head, 3/8-16 x 1-1/4 | |
| 8 | 1723725 | 1 | BRACKET | |
| 9 | 1919439 | 2 | NUT, Nylock, 3/8-16 | |
| 10 | 1916950 | 1 | NUT, Hex, 3/8-16 | |
| 11 | 1723724 | 1 | BLADE, Furrower | |
| 12 | 1686802 | 1 | HILLER / FURROWER ATTACHMENT, Complete | |

Footnotes:

Parts Manual for

SNAPPER®

INTERMEDIATE REAR TINE TILLER 6 & 7 HP 16" TWO SPEED

IT IS THE POLICY OF SNAPPER TO IMPROVE ITS PRODUCTS
WHENEVER IT IS POSSIBLE AND PRACTICAL TO DO SO. WE
RESERVE THE RIGHT TO MAKE CHANGES OR ADD IMPROVEMENTS
AT ANY TIME WITHOUT INCURRING ANY OBLIGATION TO MAKE
SUCH CHANGES ON PRODUCTS MANUFACTURED PREVIOUSLY.

SNAPPER® McDonough, GA, 30253 U.S.A.