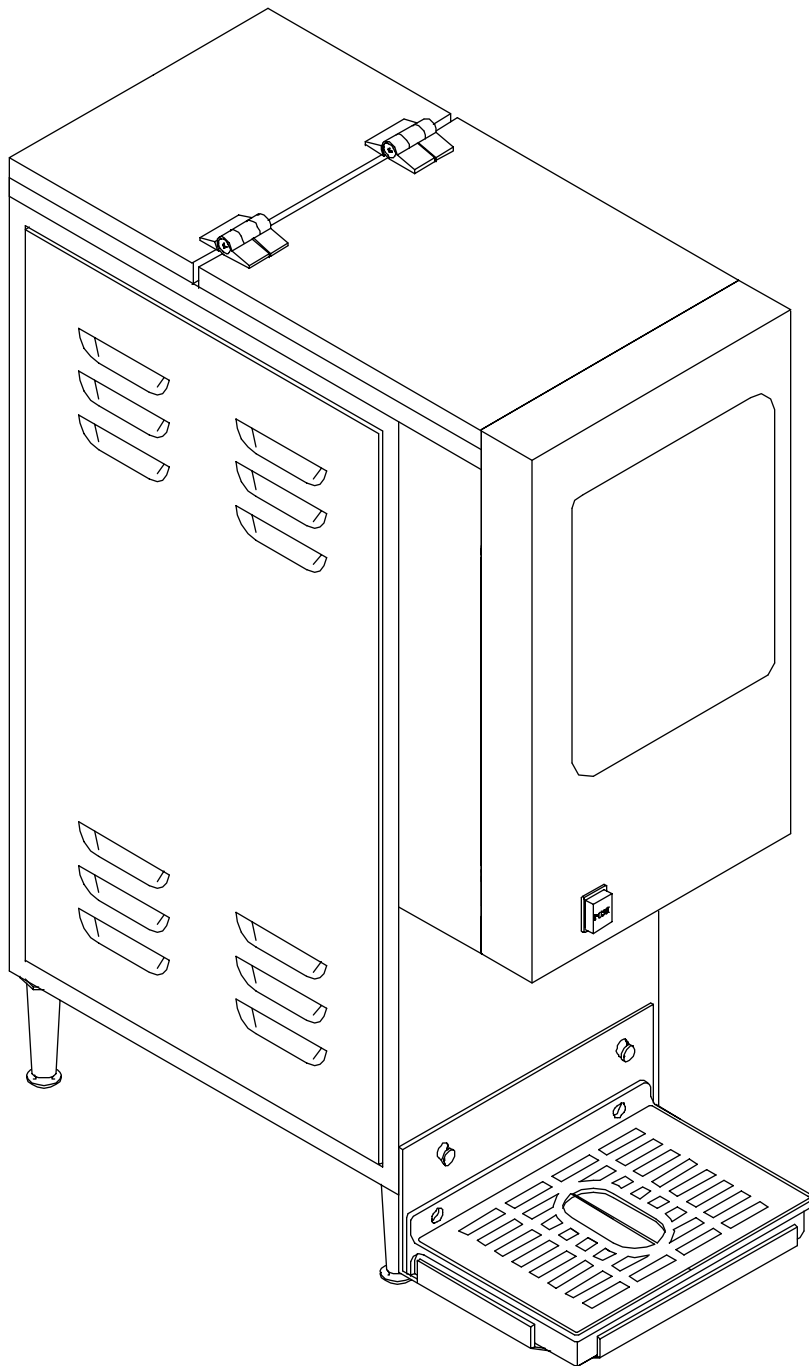


GOURMET HOT BEVERAGE DISPENSER



Models:

ICAP1
ICAP1-P
ICAP-MINI
WHIPPER
WHIPPER MINI

OPERATIONAL MANUAL

Specifications

Installation & Operating Instructions

Adjustments

Care & Maintenance

Trouble Shooting Guide

Wiring Diagram

Parts List

THIS EQUIPMENT IS TO BE INSTALLED TO COMPLY WITH THE APPLICABLE FEDERAL, STATE, OR LOCAL PLUMBING CODES HAVING JURISDICTION.

IN ADDITION:

1. A QUICK DISCONNECT WATER CONNECTION OR ENOUGH EXTRA COILED TUBING (AT LEAST 2X THE DEPTH OF THE UNIT) SO THAT THE MACHINE CAN BE MOVED FOR CLEANING UNDERNEATH.
2. AN APPROVED BACK FLOW PREVENTION DEVICE, SUCH AS A DOUBLE CHECK VALVE TO BE INSTALLED BETWEEN THE MACHINE AND THE WATER SUPPLY.

**Cecilware sells value...
Worldwide.**

43-05 20th Avenue, Long Island City, NY 11105 • 718-932-1414

FAX: • 718-932-7860



SPECIFICATIONS

MODELS:	ICAP 1 B LD	WHIPPER B	ICAP1 B LD	ICAP B LD	WHIPPER B
STORAGE CAPACITY					
Hopper Capacity [lb.]	8	8	8	8	8
Tank Capacity [gal.]	1.5	1.5	1.5	0.6	0.6

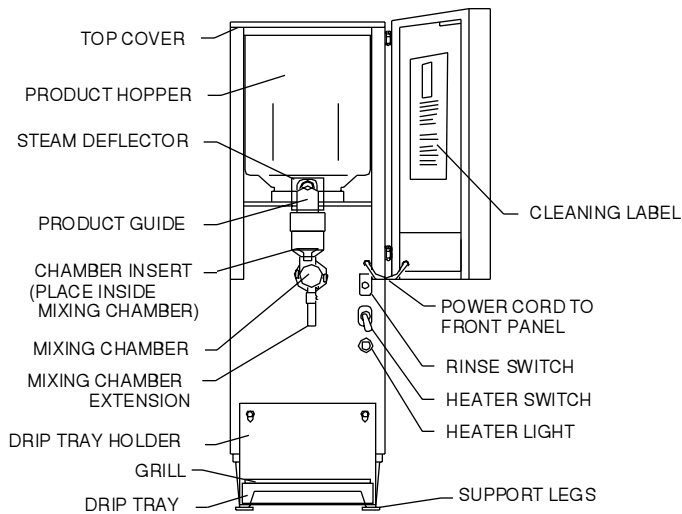
PRODUCTION CAPACITY					
Continuous Draw Rate [oz/drinks/min.] [drinks / hour]	2 (6 oz.) drinks/min 120	2 (6 oz.) 120	2 (6 oz.) 120	2 (6 oz.) 60	2 (6 oz.) 60
Burst Capacity [oz.], drinks	28 (6 oz.)	28 (6 oz.)	28 (6 oz.)	12 (6 oz.)	12 (6 oz.)

BURST CAPACITY - Max. number of drinks dispensable with available hot water - based on 6 oz. cup.
FLOW ADJUSTMENT RATE: 1 oz./sec.
STRENGTH ADJUSTMENT RANGE: 22 - 34 gr/(6 oz.) drink
RECOVERY TIME: 10 - 18 drinks [min.]
DISPENSING RATE: [1 oz./sec.]

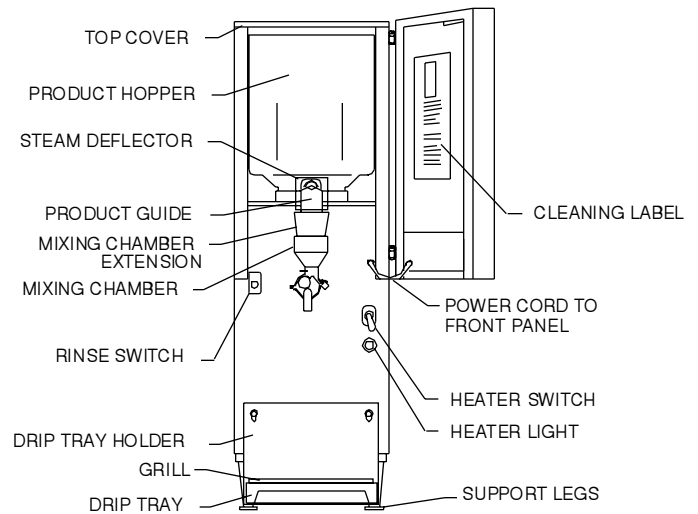
DIMENSIONS & CONNECTIONS					
Height [inches]:	23+2.5" legs	23+2.5" legs	23+2.5" legs	23+1" feet	23+1" feet
Width [inches]:	9	9	9	9	9
Depth [inches]:	21	21	21	16	16

CABINET MATERIAL: Powder Coated Steel **Optional*
WATER INLET CONNECTION: 1/4" Male Flare
WATER PRESSURE REQUIRED: 30 -120 psi (2.1 - 8.6 kg/cm²)

ELECTRICAL					
Voltage:	110V or 220 V	110V or 220 V	110V or 220 V	110V or 220 V	110V or 220 V
Frequency:	60 Hz/50Hz	60 Hz/50Hz	60 Hz/50Hz	60 Hz/50Hz	60 Hz/50Hz
Phase:	Single	Single	Single	Single	Single
Max. Amps:	15 A @ 115 V	15 A @ 115 V	15 A @ 115 V	15 A @ 115 V	15 A @ 115 V
Heater Wattage [kw]:	1.7	1.7	1.7	1.5	1.5



FRONT VIEW
 ICAP1 B LD [w/lit door]
 WHIPPER B [w/o lit door]



FRONT VIEW
 ICAP MINI B LD [w/lit door]
 MINI WHIPPER B [w/o lit door]

Illustration No. 1

INSTALLATION REQUIREMENTS for ICAP1 B LD and WHIPPER B:

THIS EQUIPMENT IS TO BE INSTALLED TO COMPLY WITH THE APPLICABLE FEDERAL, STATE, OR LOCAL PLUMBING CODES HAVING JURISDICTION. IN ADDITION:

1. A QUICK DISCONNECT WATER CONNECTION OR ENOUGH EXTRA COILED TUBING (AT LEAST 2X THE DEPTH OF THE UNIT) SO THAT THE MACHINE CAN BE MOVED FOR CLEANING UNDERNEATH.
2. AN APPROVED BACK FLOW PREVENTION DEVICE, SUCH AS A DOUBLE CHECK VALVE TO BE INSTALLED BETWEEN THE MACHINE AND THE WATER SUPPLY.

INSTALLATION:

1. Flush inlet water line thoroughly before connecting. If pipe sealant is necessary, teflon tape is commended.
2. Connect water line to the 1/4" flare fitting located at rear of the unit. A shutoff valve in the water supply line is advisable.
3. Check that heater switch is in the **OFF** position. Switch is located below DOOR ASSEMBLY lower right side corner.
4. Turn on water. Check water line and fittings for leaks.
5. Plug the power cord into a grounded 120 volt, 60 Hz 15 Amp outlet, Single use. Press and hold Rinse Button until water flows through mixing chamber. It will take 2 to 4 minutes to fill the tank.
6. Fill hopper with DRY* powdered cocoa mix or cappuccino product. See filling instructions.
7. Turn heater switch on and allow 10 to 15 minutes for water to heat.
8. Push on Dispensing Button and check the operation of the hopper. A grinding noise will be heard if not properly engaged. Go to Troubleshooting Guide.
9. Push on Dispensing Button and check the operation of the mixing chamber (for ICAP1 & Whipper). A scratching noise will be heard if whipper blade is not properly aligned. Go to Troubleshooting Guide.
10. Push Dispensing Button and check drink taste.
If adjustments are needed, see "Adjustments".

DISPENSER OPERATION

FILLING

1. Open Front Door.
2. Lift Top Cover.
3. Fill hopper to desired level with DRY* Powdered cocoa mix or cappuccino.
Do not overfill or pack product down when filling.
4. Close Top Cover and Door.

DISPENSING

1. Place cup under mixing chamber spout.
2. **a) For Manual Units (without Timer):**
Press and hold push button until cup is approximately 2/3 full.
b) For Automatic Units (with Timer):
Press and release push button. Cup will fill to size set on Timer.
3. Remove cup when flow from mixing chamber has stopped completely.

***Moist product will clog hopper and the unit will not operate properly.**

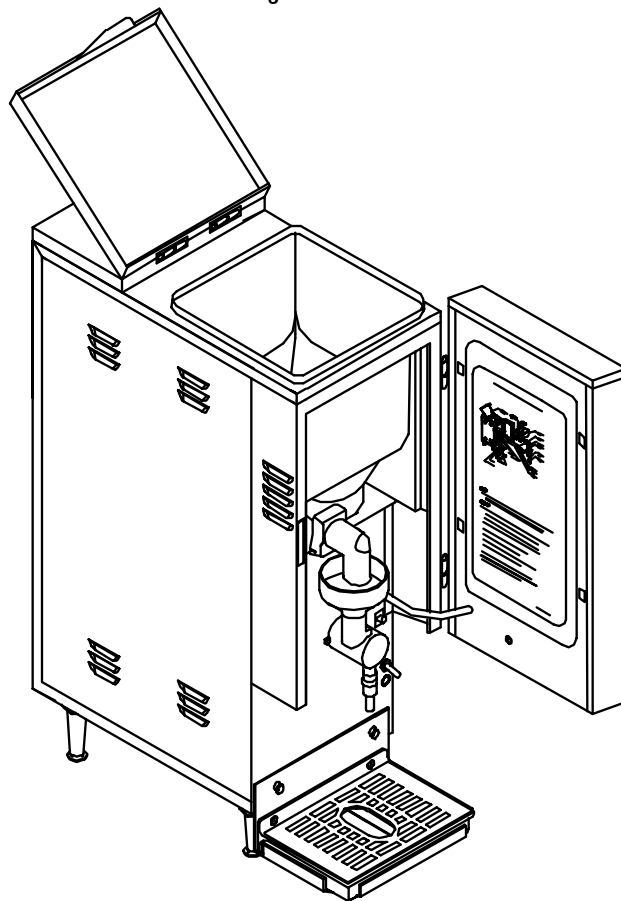


Illustration No. 2 – (ICAP 1 B LD & WHIPPER B shown)

START UP INSTRUCTIONS FOR ICAP1 POUROVER CAPPUCCINO DISPENSER – see ill. 3

I. INSTALLATION INSTRUCTIONS

This equipment is to be installed to comply with the applicable Federal, State, or local plumbing codes having jurisdiction.

In addition:

1. A quick disconnect water connection or enough extra coiled tubing (at least 2x the depth of the unit) so that the machine can be moved for cleaning underneath.
2. An approved back flow prevention device, such as a double check valve to be installed between the machine and the water supply.

The ICAP1 POUROVER beverage dispenser is equipped with a 3/4" Water Inlet Valve (1/4" to 3/4" adapter supplied with the unit) which is located on the right side in the back of the base (when looking at the machine from the front).

HIGHLY RECOMMENDED: A WATER SHUT-OFF VALVE and A WATER FILTER, preferably a combination Charcoal/Phosphate Filter, to remove odors and inhibit lime and scale build up in the machine.

Note: In areas with extremely hard water, a water softener must be installed in order to prevent a malfunctioning of the equipment and in order not to void the warranty.

After the machine has been unpacked and placed on a counter, pull out the drip tray and splash guard.

It should contain the following: A Set of 4 Adjustable Leveling Legs & Water Inlet Fitting.

Connect the 1/4" dia. copper waterline to the 1/4" flare water inlet fitting of the valve.

Caution: Do not plug into power outlet yet. Make sure the Heater Switch is OFF (Toggle Down).

II. PRIMING - MANUAL/BOTTLE POUROVER (Toggle UP, Water Selection Switch, on the back panel)

1. Do NOT plug into power outlet yet.
2. Make sure Heater Switch is in the OFF position, located in back of machine.
3. Fill reservoir tank (top) with 2 gallons of water, wait about 3 minutes for water to fill Heating Tank below.
Refill Top Reservoir Tank with another 2 gallons of water. The unit will NOT dispense unless the Top Reservoir Tank is at least 1/2 full. **So keep Reservoir Tank full.**

Note: The unit has a Float (item 3, Ill. 8) inside the Reservoir Tank, which stops the machine from dispensing when the Reservoir Tank is low.

4. Plug into power outlet.
5. Turn Heater Switch ON.
6. Allow 10 to 15 minutes for water to reach dispense temperature of 190°F. Heater Indicator Light (red) goes ON when heater is on (see lower front panel).
7. Fill hopper with product.
8. Place cup under dispenser.
9. Push and hold Dispense Button (green) until water flows from mixing chamber.
10. Machine is primed and ready to go.

III. PRIMING INSTRUCTIONS FOR ICAP1 POUROVER

PRIMING - AUTOFILL (Toggle Down, Water Selection Switch, on the back panel)

1. Plug into power outlet.
2. Turn Heater Switch ON.
3. Allow 10 to 15 minutes for water to reach dispense temperature of 190°F.
Heater Indicator Light (red) goes ON when heater is on (see lower front panel).
4. Fill hopper with product.
5. Place cup under dispenser.
6. Push and hold Dispense Button (green) until water flows from mixing chamber
7. Machine is primed and ready to go.

IV. POUROVER-PORTABLE BOTTLE OPERATION (Toggle UP, Water Selection Switch, on the back panel) UNIT CAN BE OPERATED WITH A 3 GALLONS CAPACITY FRESH WATER BOTTLE.

TO OPERATE WITH PORTABLE BOTTLE, proceed AS FOLLOWS:

1. Remove Reservoir Tank Cover.
2. Make sure that Reservoir Tank is only 1/2 full or empty, to prevent water spillage.
To remove excess water push dispense button.
3. Fill bottle with water .
4. Invert bottle into reservoir tank in one motion to minimize spillage.
5. Remove and refill bottle when "REFILL" light is ON.

NOTE: REFILL LIGHT, ON THE FRONT DOOR PANEL, WILL GO ON, WHICH INDICATES THAT THE WATER TANK MUST BE REFILLED. WHEN REFILL LIGHT GOES ON, THE UNIT WILL NOT DISPENSE UNTIL TANK IS FILLED WITH WATER. REFILLING WITH HOT TAP WATER WILL SHORTEN HEAT UP TIME.

V. NORMAL OPERATION (POUROVER AND AUTOREFILL)

1. Place a 6 oz. or larger cup under dispense nozzle, then press and hold dispense switch (green) for 6 seconds.
The machine will dispense water at the rate of 1 oz. per second. Repeat it several times to check for consistent output.

2. While the tank is heating up, remove the hopper, load with product and reposition it back in the machine.

When **Heater Light goes OFF**, the tank has reached its brew temperature and the machine is ready to begin dispensing the first cup of Cappuccino.

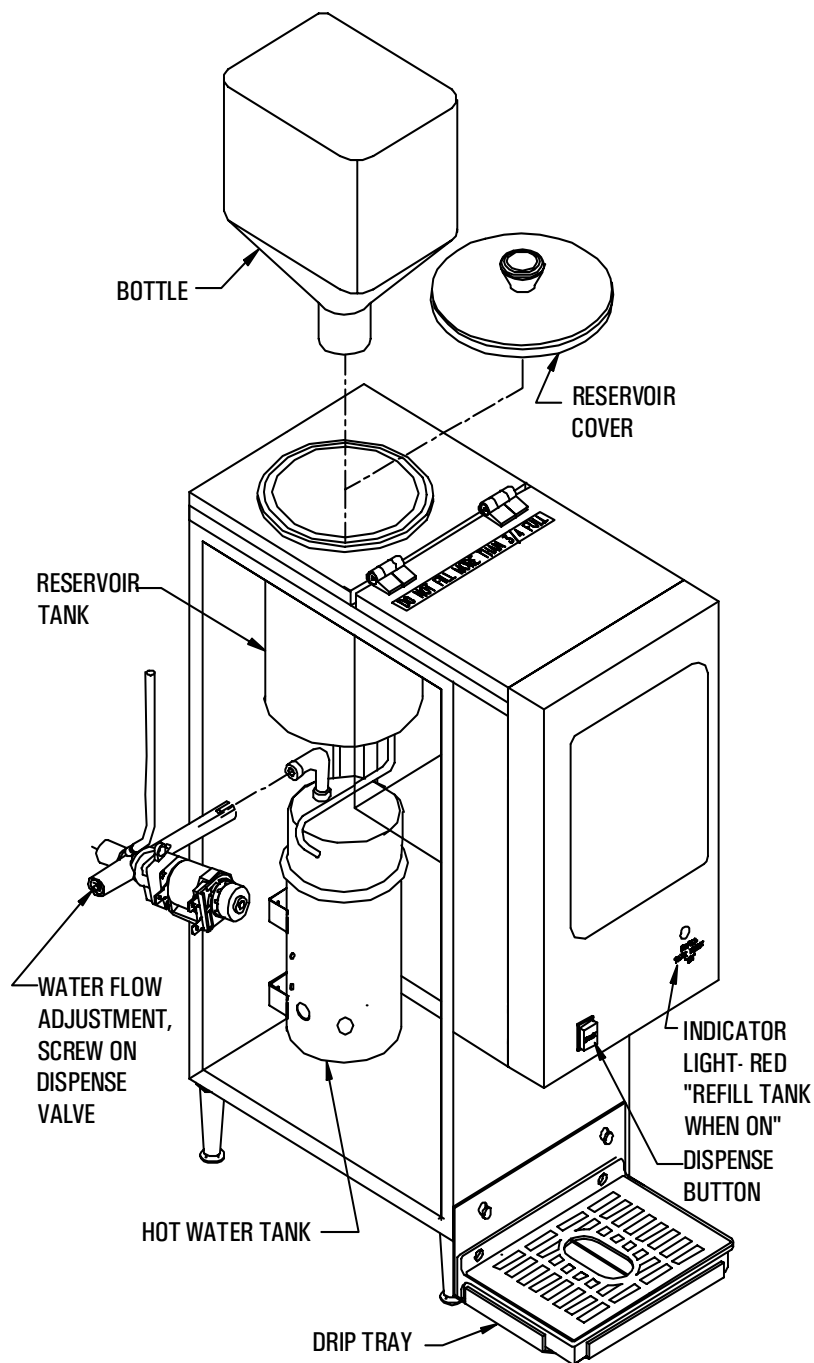
VI. WATER FLOW and DRINK STRENGTH ADJUSTMENTS

THE UNIT IS FACTORY ADJUSTED TO DISPENSE WATER AND POWDER AT THE RATE OF 1.0 oz/ sec.

TO INCREASE OR DECREASE FLOW, PROCEED AS FOLLOWS:

1. Remove left side panel and locate Dispense Valve Flow Adjuster on top of Heated Tank.
2. Locate Flow Adjustment Screw (white) on Dispense Valve.
3. Rotate Adjustment Screw Counterclockwise to **INCREASE** flow rate.
4. Rotate Clockwise to **DECREASE** flow rate.

When making strength adjustments, do not adjust by more than 1/4 turn at a time, without checking drink strength (ratio of water to powder).



DRINK STRENGTH ADJUSTMENTS

NOTE: The unit has been factory preset to deliver water at 1 oz. per second

A. TO ADJUST PRODUCT THROW (ILL # 4)

1. Open Door Assembly and remove Steam Deflector by pulling it forward.
2. To make adjustment use a screwdriver with 1/2 inch wide blade. Engage product adjuster as shown below and turn as follow.
3. Turn clockwise to increase drink strength or counter-clockwise to reduce it. Check drink strength after every half a turn. If after maximum adjustment, drink taste is not as desired proceed to adjust the water flow according to procedure B below.
4. Re-install Steam Deflector.

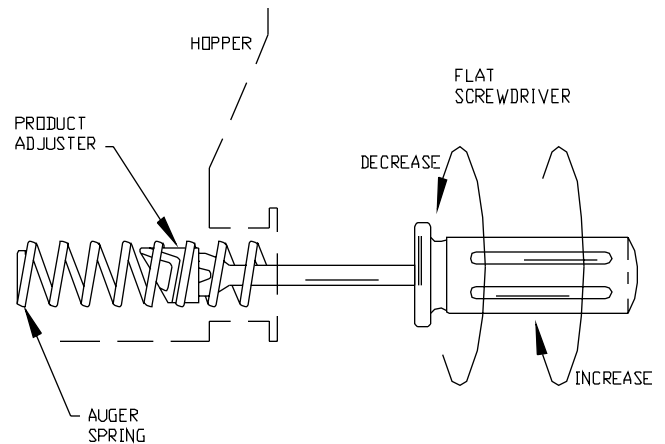


Illustration No. 4 – Product **adjuster**

B. TO ADJUST WATER FLOW RATE (ILL. # 5)

1. Remove right hand side cover of the unit. (looking at the unit from the front)
2. Locate Flow Adjustment Key inside unit mounted above water valve.
3. Engage Flow Adjustment Key into Flow Controller and rotate counterclockwise to decrease and clockwise to increase drink strength. When making strength adjustments, do not turn Adjustment Key more than 1/8" at a time without checking drink strength.
4. Return Adjustment Key back into keyholder. If after maximum adjustment, drink taste is still not strong as desired, take auger spring out of the hopper and remove the product adjuster.

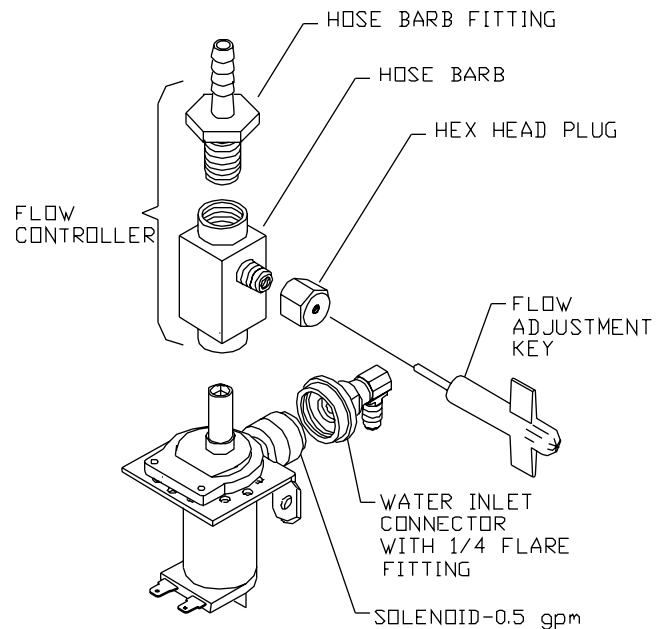


Illustration No. 5 – Water Inlet Valve

C. DRINK SIZE ADJUSTMENT (ILL. # 6) (AUTOMATIC UNITS - WITH TIMER)

1. Remove right side panel.
2. Turn knob on Timer right to increase or left to decrease drink size. The number 6 on the Timer indicates approximate drink size at a factory setting of 1 oz./sec. flow rate.
3. Press push button and check drink size. Repeat if necessary, until desired drink size is dispensed.
4. Replace the side panel.

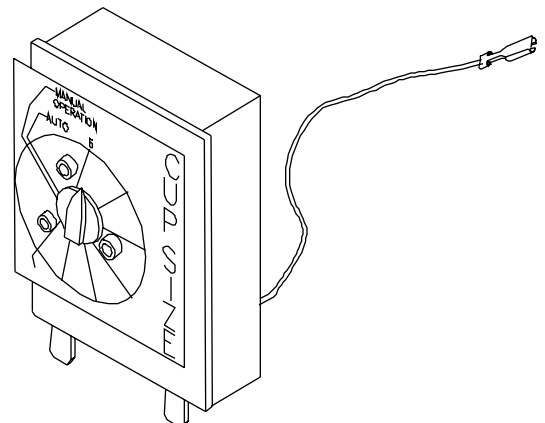
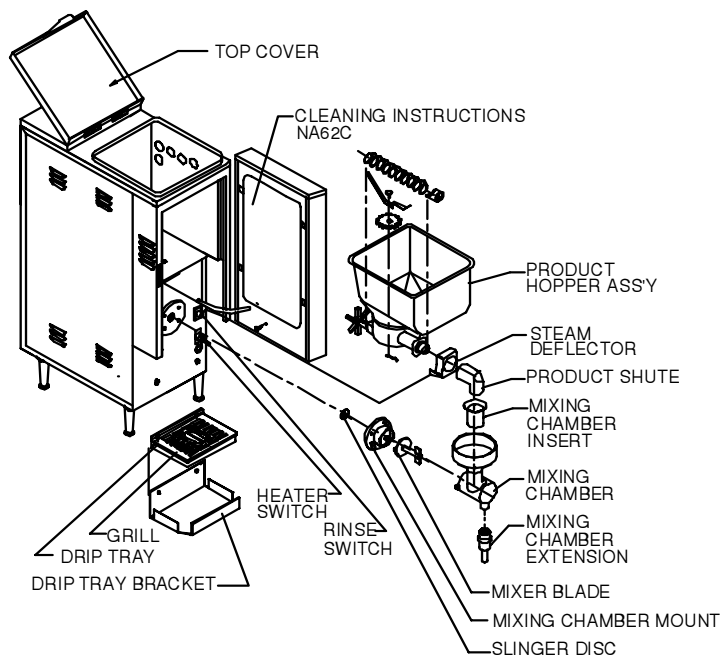


Illustration No 6 - Timer

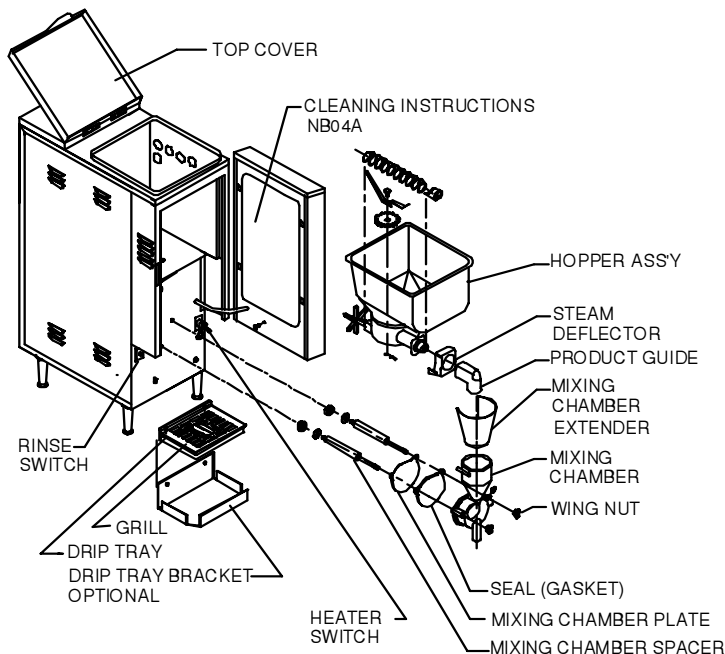
**CLEANING INSTRUCTIONS
ICAP1 B LD (with Lit Door)
WHIPPER B (without Lit Door)**



DAILY:

1. Wipe exterior of dispenser with a soft damp cloth. Deflector setup by pulling forward.
2. Disengage Product Hopper by lifting straight up, while retaining in the upright position.
3. Remove Mixing Chamber by turning Counterclockwise and pulling forward.
 - A. Remove Mixing Chamber Insert by pulling up.
 - B. Remove Mixing Chamber Extension by pulling down.
4. Remove Mixer Blade by pulling forward.
5. Wash Grill, Mixer Blade, Insert, Extension, and Mixing Chamber with a mild detergent.
6. Wipe upper compartment with a damp cloth.
7. Replace all parts including Hopper.
8. Dry thoroughly before reloading with product.

**CLEANING INSTRUCTIONS
ICAP MINI B LD (with Lit Door)
MINI WHIPPER B (without Lit Door)**



DAILY:

1. Wipe exterior of dispenser with a soft damp cloth. Deflector setup by pulling forward.
2. Wash Drip Tray with hot water.
3. Flush Mixing Chamber by depressing Rinse Button approximately 10 seconds.

WEEKLY:

NOTE: IN VERY HIGH VOLUME LOCATIONS, THIS PROCEDURE SHOULD BE DONE TWICE A WEEK.

1. Open Top Cover, Door Assembly, and remove Steam Deflector setup by pulling forward.
2. Disengage Hopper by lifting straight up, while retaining in the upright position.
3. Remove Mixing Chamber by unscrewing wing nuts.
4. Wash all components after removing.
5. Wipe upper compartment with a damp cloth.
6. Replace all parts including Hopper.
7. Dry thoroughly before reloading with product.

Illustration No. 7

TROUBLESHOOTING PROCEDURE

WARNING: To reduce the risk of electrical shock unplug the dispenser power cord before repairing or replacing any internal components of the unit. Before any attempt to replace a component be sure to check all electrical

TROUBLE	PROBABLE CAUSE	REMEDY
Light Display does not go on. No power	a) Dispensing unit unplugged b) No power from terminal block	a) Reconnect dispensing unit b) Check the terminal block for loose wire
No water when Rinse Switch is depressed	a) Water supply off b) Clogged inlet screen (water valve)	a) Turn on water b) Disconnect water line and clean inlet screen
No product when Dispense Button is depressed	a) No product in hopper b) Auger spring not working c) Inoperative auger motor d) Hopper outlet clogged	a) Add product if auger spring is moving b) Engage hopper to auger motor's gear Replace damaged coupling if needed Check connections of motor, relay and/or switch, if needed replace such component. d) Clean hopper and dry thoroughly
Water does not shut off	a) Leaking inlet water valve b) Malfunctioning Timer c) Inoperative dispense switch	a) Clean and check all fittings of water valve. Replace water inlet valve b) Replace Timer (automatic units only) c) Check switch connections. Replace dispense switch
Drink too strong	a) Water flow too low b) Product throw too high	a) Adjust water flow (see To Adjust Water Flow Rate) b) Adjust product throw (see To Adjust Product Rate)
Drink too weak	a) No product in hopper b) Product throw too low	a) Add product b) Adjust product throw (see To Adjust Product Rate)
Water drips from mixing chamber	a) Temperature too high b) Leaking inlet water valve c) Too much water in tank's	a) Adjust the thermostat accordingly b) Check fittings, if needed replace water valve c) Remove tank top and clean holes in inner
Cold drink	a) No hot water b) Run out of hot water c) Tank does not heat up	a) Allow tank to heat b) Allow tank to heat after filling c) Check for loose wire on either thermostat or heating element. Replace either or
Drink not whipped	a) No whipper blade b) Whipper blade stuck c) Inoperative whipper motor	a) Replace whipper blade b) Check blade alignment, if needed replace blade and mixing chamber c) Replace whipper motor
Noise coming from mixing chamber	Whipper blade not properly aligned	Check blade alignment, if needed replace blade and mixing chamber
Light Display does not go on	Defective light bulb and/or ballast.	Check for loose wire or properly plugged light bulb.
Grinding noise coming from unit	Hopper not properly engaged	Check the mating between the auger motor's gear and hopper's coupling
Dispenser repeats cycle.	a) Malfunctioning Timer. b) Malfunctioning Dispense Switch	a) Replace Timer (automatic units only)

DESCRIPTION AND LOCATION OF COMPONENTS
 ICAP1 B LD (with lit door) & WHIPPER B (without lit door)

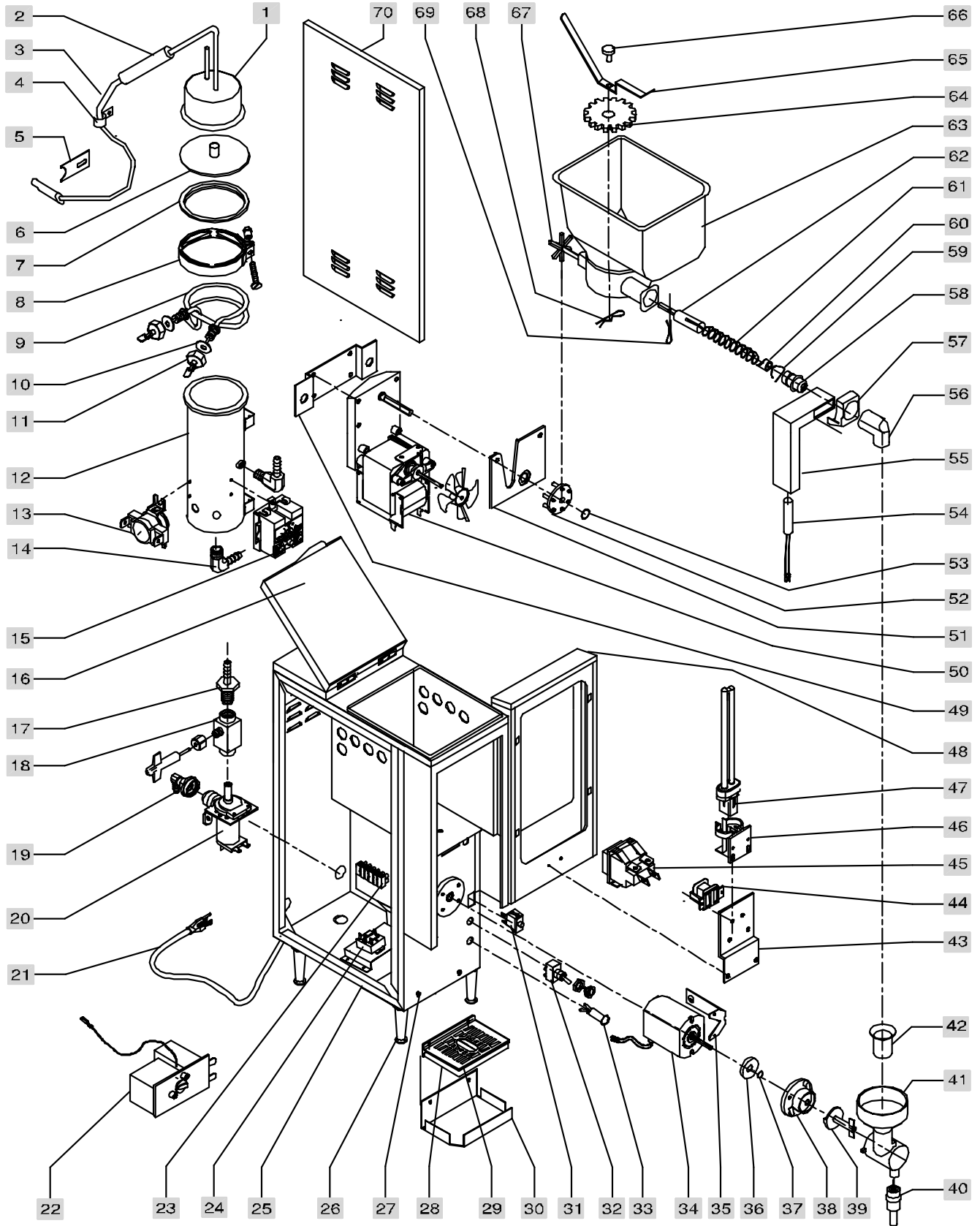


Illustration No. 8

COMPONENTS IDENTIFICATION

ITEM	DESCRIPTION	P/N	ITEM	DESCRIPTION	P/N
1	TANK TOP ASSY	97127	36	SLINGER DISC	83034
2	SILICONE TUBING	77184	37	"O" RING	?
3	DISCHARGE TUBE ASSY	97122	38	MIXING CHAMBER MOUNT	83033
4	DISCHARGE TUBE BRACKET	73277	39	MIXER BLADE	90230
5	NOZZLE BRACKET	RE81A	40	MIXING CHAMBER EXTENDER TUBE	77184
6	TANK BAFFLE ASSY	97198	41	MIXING CHAMBER	95001
7	TANK BAFFLE SEAL	20039	42	MIXING CHAMBER INSERT	83036
8	TANK CLAMP ASSY	97131	43	LAMP HOLDER MOUNTING BRACKET (lit door)	RE52A
9	HEATER ELEMENT 1750W 120V	G0140	44	BALLAST (for lit door only)	CE221
10	WASHER, HEATER ELEMENT	07059	45	PRODUCT SWITCH	L455C
11	NUT HEATER ELEMENT	03051	46	LAMP SOCKET - LEVITTON (for lit door only)	44496
12	TANK LIMIT	97293	47	FLOURESCENT LAMP 9W (for lit door only)	L024A
13	HI-LIMIT TEMPERATURE CONTROL	59024	48	DOOR WELDMENT ASSY - ICAP 1 B LD (w/lit door)	RC53Q
14	ELBOW, MALE 1/8 NPT X 1/4	09246	49	AUGER MOTOR BRACKET	73272
15	CONTROL THERMOSTAT	59016	50	AUGER MOTOR 115V	52037
16	TOP FRONT COVER	RC42C	51	SUPPORT PLATE F/AUGER MOTOR	90209
17	HOSE BARB FITTING	K435C	52	GEAR AUGER DRIVE MOTOR GEAR, PLASTIC	90208
18	ADJ. VALVE ASSY #H5107 NPT	K415A	53	O RING	20015
19	HOSE NUT	95101	54	CARTRIDGE HEATER 20W	87024
20	WATER VALVE INLET ASSY	L477A	55	HEAT DUCT	97135
21	POWER CORD	44242	56	PRODUCT DISPENSER ADAPTER	CD70C
22	TIMER, OPTIONAL - (for automatic units only) 120v TIMER, IPTIONAL - (for automatic units only) 220v	58017 58019	57	STEAM DEFLECTOR	90272
23	TERMINAL BLOCK SINGLE	B135A	58	RESTRICTOR	92173
24	RELAY (for automatic only) 120v	B129A	59	RESTRICTOR RETAINER	34007
25	BODY FRAME WELDMENT ASSY	RE80Q	60	PRODUCT ADJUSTER	71001
26	Legs, set 2.5" BLK	M034C	61	AUGER SPRING	95116
27	STUD DRIPTRAY	92007	62	AUGER DRIVE COUPLING, PLASTIC	90211
28	DRIP TRAY PAN	75060	63	HOPPER & BASE ASSY	97098
29	GRILL	75015	64	AGITATOR DRIVE GEAR	90268
30	DRIP TRAY BRACKET (HOLDER)(OPTIONAL)	RE73A	65	AGITATOR	40692
31	RINSE SWITCH	56039	66	PIN/STUD HOPPER	04026
32	HEATER SWITCH	L299C	67	GEAR AUGER DRIVE (HOPPER BASE), PLASTIC	90210
33	HEATER INDICATOR LIGHT AMBER	C002C	68	RETAINER PIN, STEEL (UNDER HOPPER)	04025
34	WHIPPER MOTOR 115V	52038	69	RETAINER PIN, S/STEEL (on coupling)	04030
35	WHIPPER MOTOR BRACKET PLATED	92177	70	SIDE PANEL	RC40A

DESCRIPTION AND LOCATION OF COMPONENTS
 ICAP1 B LD POUROVER (with lit door)

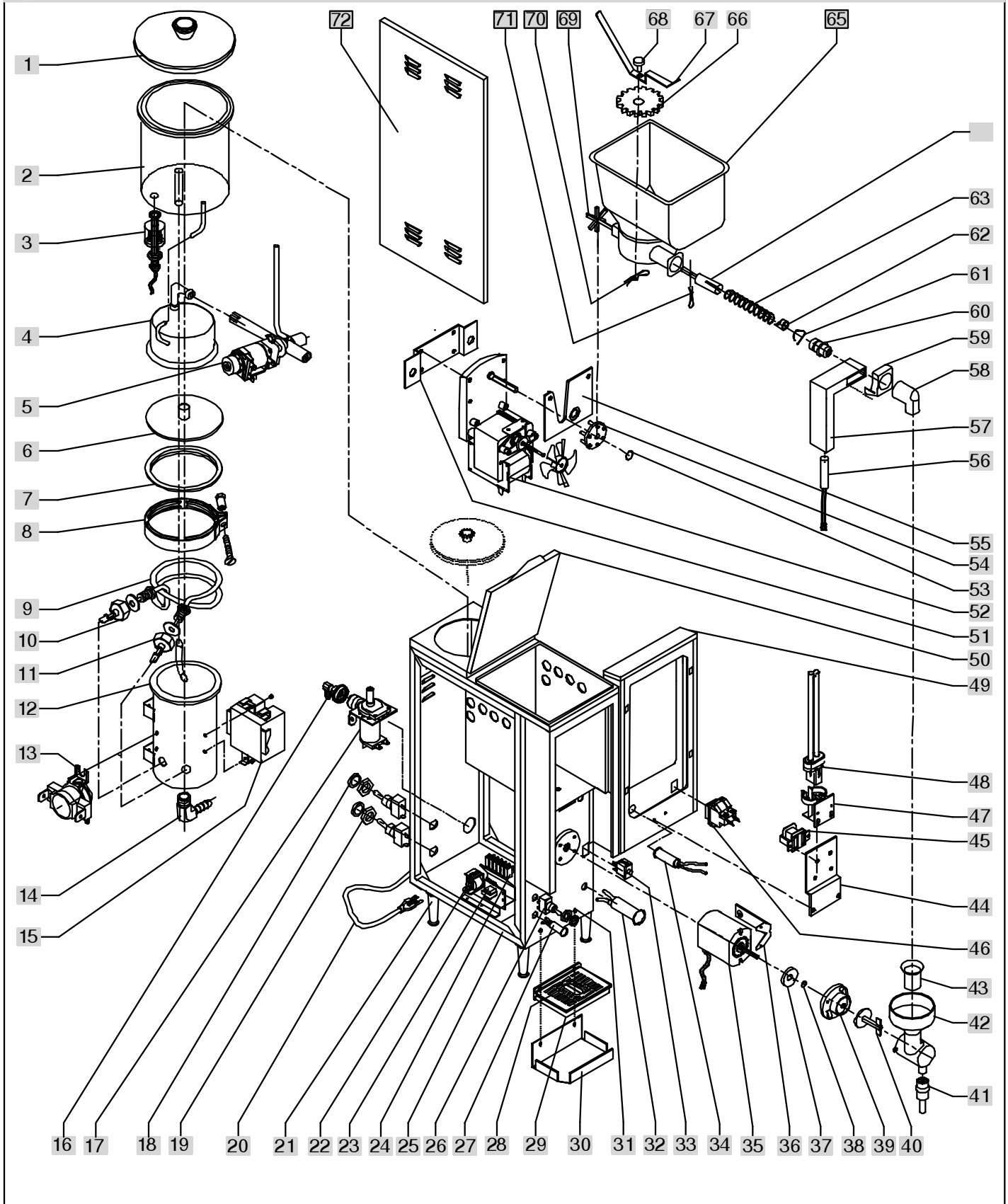


Illustration No. 9

ICAP1 B LD POUROVER (with lit door)

ITEM	DESCRIPTION	P/N	ITEM	DESCRIPTION	P/N
1.	COLD TANK COVER ASS'Y	Q164A	37.	SLINGER DISC	83034
2.	COLD WATER TANK WELDMENT ASS'Y	Q163Q	38.	"O" RING	?
3.	WATER LEVEL FLOAT/CONTROL SWITCH (COLD)	L499A	39.	MIXING CHAMBER MOUNT	83033
4.	TANK TOP ASS'Y (FOR HOT WATER TANK)	Q166Q	40.	MIXER BLADE	90230
5.	DISPENSE (DUMP) VALVE (MULLER)	L467A	41.	MIXING CHAMBER EXTENDER TUBE	77184
6.	TANK BAFFLE ASS'Y	97128	42.	MIXING CHAMBER	95001
7.	TANK CLAMP SEAL	20039	43.	MIXING CHAMBER INSERT	83036
8.	TANK CLAMP ASS'Y	97131	44.	LAMP HOLDER MOUNTING BRACKET (Lit Door)	RE52C
9.	HEATER ELEMENT 1750W 120V	G0140	46.	BREW SWITCH	L455A
10.	WASHER, HEATER ELEMENT	07059	47.	LAMP SOCKET - LEVITON (for Lit Door only)	44496
11.	NUT, HEATER ELEMENT	03051	48.	FLUORESCENT LAMP 9W (for Lit Door only)	L042A
12.	HOT WATER TANK WELDMENT ASS'Y	Q165Q	49.	DOOR WELDEMENT ASS'Y - ICAP1 B LD POUROVER	RC53Q
13.	HI-LIMIT TEMPERATURE CONTROL	59024	50.	TOP FRONT COVER	RC42A
14.	ELBOW, MALE 1/8 NPT X 1/4	09246	51.	AUGER MOTOR BRACKET	73272
15.	CONTROL THERMOSTAT	59016	52.	AUGER MOTOR 115V	52037
16.	HOSE NUT	95101	53.	O RING	20015
17.	WATER VALVE INLET ASS'Y	L477A	54.	GEAR, AUGER DRIVE MOTOR GEAR, PLASTIC	90208
18.	HEATER SWITCH	L299A	55.	SUPPORT PLATE F/AUGER MOTOR	90209
19.	AUTO REFILL SWITCH	L299A	56.	CARTRIDGE HEATER 20W	87024
20.	POWER CORD	44242	57.	HEAT DUCT	97135
21.	LEGS, SET 2.5" BLK	M034A	58.	PRODUCT DISPENSER ADAPTER	CD70A
23.	RELAY (DOUBLE POLE-on at all times) 120V	L018A	59.	STEAM DEFLECTOR	90272
24.	TERMINAL BLOCK SINGLE	B135A	60.	RESTRICTOR	92172
25.	BODY FRAME WELDMENT ASS'Y	RI88Q	61.	RESTRICTOR RETAINER	34007
26.	POWER SWITCH (TOGGLE)	L069A	62.	PRODUCT ADJUSTER	71001
27.	POWER INDICATOR LIGHT, (red)	C165A	63.	AUGER SPRING	95116
28.	GRILL	75015	64.	AUGER DRIVE COUPLING, PLASTIC	90211
29.	DRIP TRAY PAN	75060	65.	HOPPER & BASE ASS'Y	97098
30.	DRIPTRAY BRACKET (HOLDER)(OPTIONAL)	RE73A	66.	AGITATOR DRIVE GEAR	90268
31.	STUD, DRIPTRAY	92007	67.	AGITATOR	40692
			68.	PIN/STUD HOPPER	04026
32.	HEATER INDICATOR LIGHT AMBER	C002A	69.	GEAR AUGER DRIVE (HOPPER BASE), PLASTIC	90210
33.	RINSE SWITCH	56039	70.	RETAINER PIN, STEEL (under Hopper)	04025
34.	INDICATOR LIGHT, GREEN "out of water/refill tank"	C072A	71.	RETAINER PIN, S/STEEL (on Coupling)	04030
35.	WHIPPER MOTOR 115V	52038	72.	SIDE PANEL	RC40A
36.	WHIPPER MOTOR BRACKET PLATED	92177			

DESCRIPTION AND LOCATION OF COMPONENTS
 ICAP MINI B LD (w/Lit Door) and MINI WHIPPER B (w/o Lit Door)

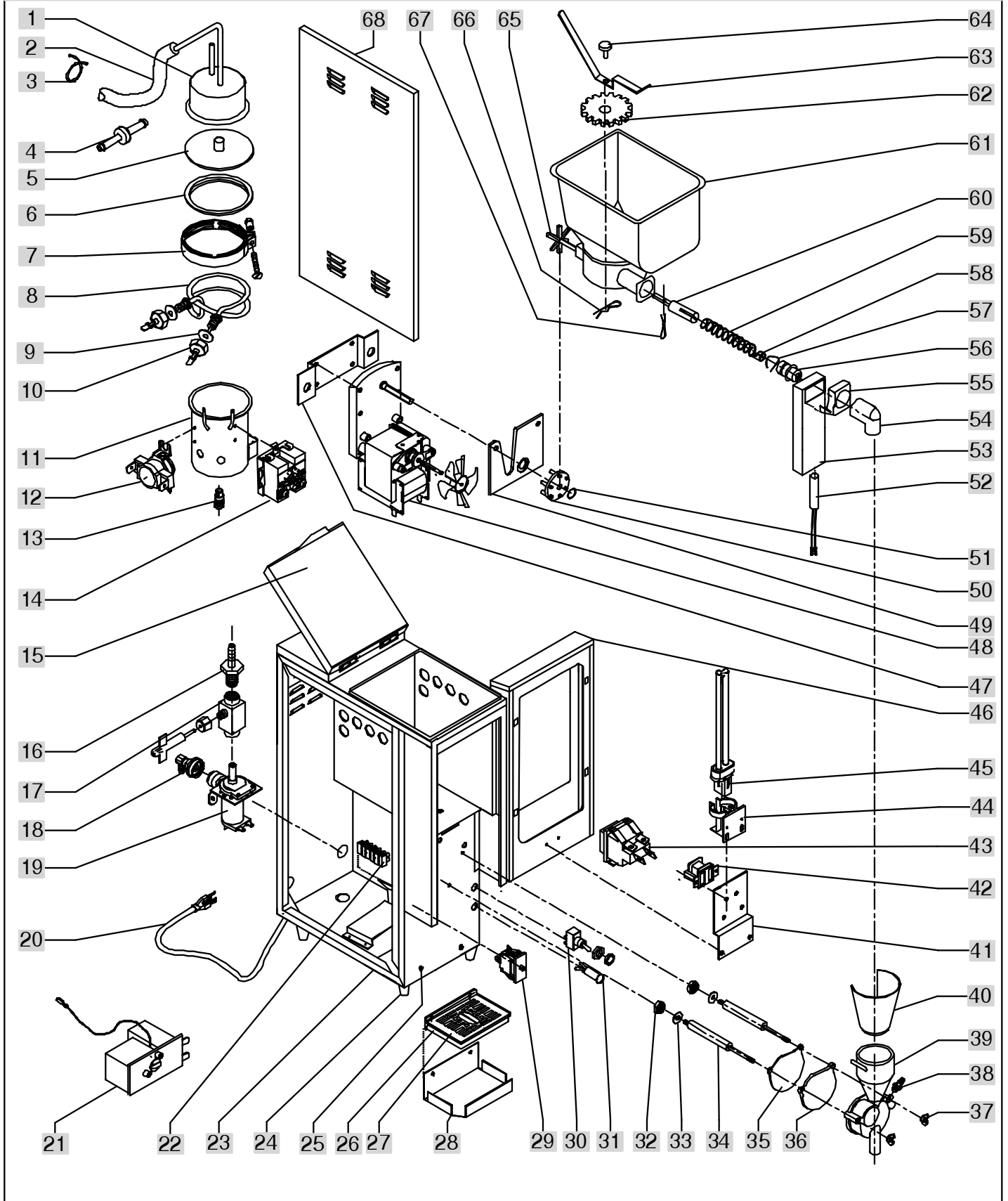


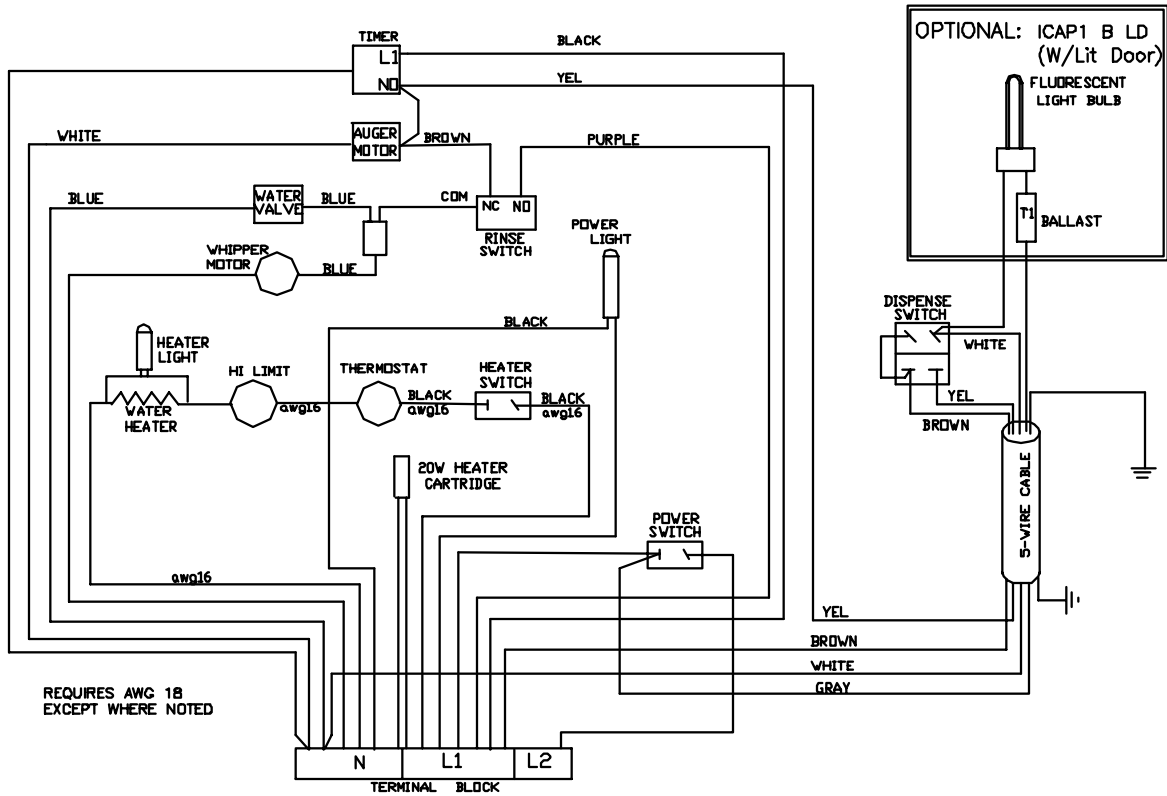
Illustration No. 10

ICAP MINI 1 B LD w/lit door) & MINI WHIPPER B (w/o lit door)

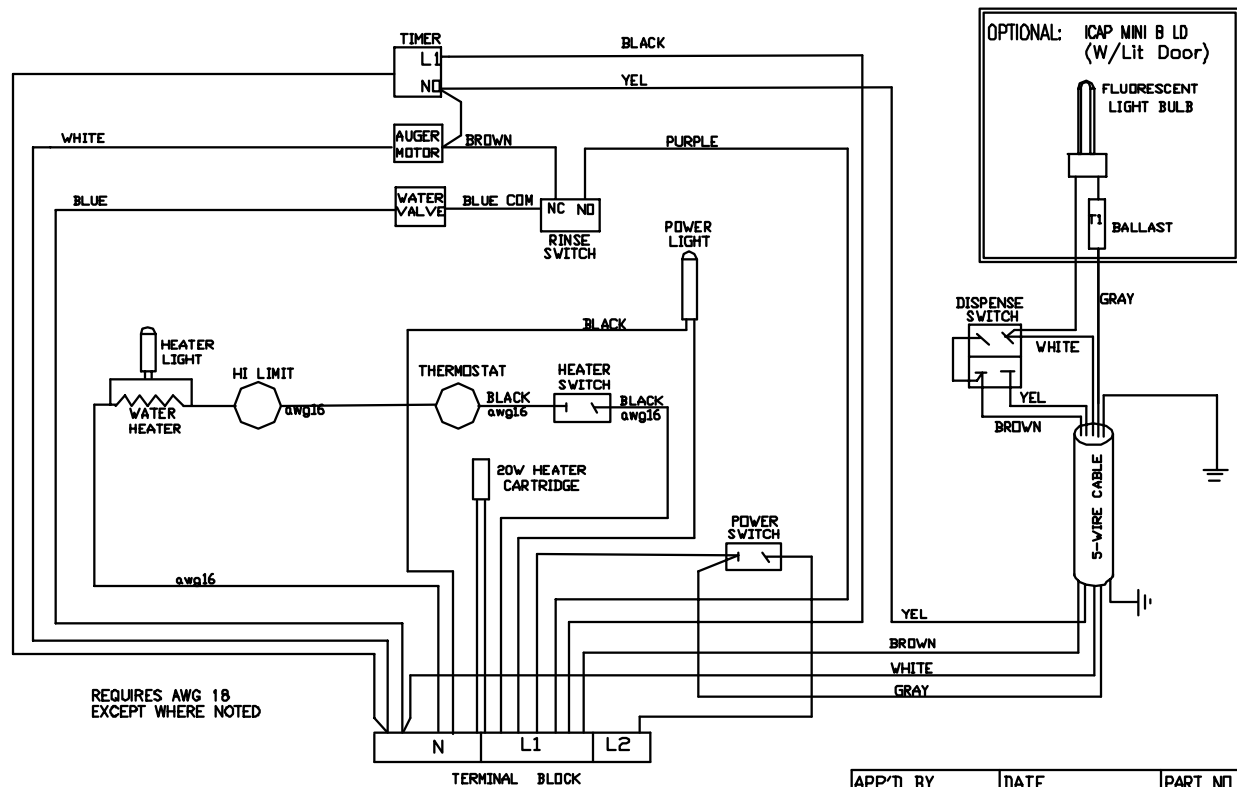
ITEM	DESCRIPTION	P/N	ITEM	DESCRIPTION	P/N
1	TANK TOP ASSY W/QC	97166	35	PLATE - MIX CHAMBER	40138
2	SILICONE TUBING (HOSE)	77216	36	SEAL - MIX CHAMBER (GASKET)	20032
3	HOSE CLAMP, METAL	34034	37	WING NUT	03005
4	CHECK VALVE, PLASTIC	M323A	38	HOSE BARB S/S 1/4 WITH FITTING	K436A
5	TANK BAFFLE ASSY	97170	39	MIXING CHAMBER	97169
6	TANK BAFFLE SEAL	20039	40	EXTENDER-MIXING CHAMBER	83041
7	TANK CLAMP ASSY	97131	41	LAMP HOLDER MOUNTING BRACKET (for lit Door	RE52A
8	HEATER ELEMENT 1500W/110V	87037	42	BALLAST (for lit Door only) (CA33C older units	CE221
9	WASHER, HEATER ELEMENT	07059	43	PRODUCT SWITCH	L455A
10	NUT, HEATER ELEMENT	03051	44	LAMP SOCKET - LEVITTON (for lit Door only)	44496
11	TANK	97165	45	FLOURESCENT LAMP 9W (for lit Door only)	L042A
12	HI-LIMIT TEMPERATURE CONTROL	59010	46	DOOR WELDMENT ASSY - ICAP 1 B LD	RC53Q
13	DRAIN PLUG, BRASS	K044A	47	AUGER MOTOR BRACKET	73272
14	CONTROL THERMOSTAT	59016	48	AUGER MOTOR 115V	52037
15	TOP FRONT COVER	RC42A	49	SUPPORT PLATE F/AUGER MOTOR	90209
16	HOSE BARB FITTING	K435A	50	GEAR, AUGER DRIVE MOTOR GEAR, PLASTIC	90208
17	ADJ. VALVE ASSY #H5107 NPT	K415A	51	O RING	20015
18	HOSE NUT	95101	52	CARTRIDGE HEATER	87024
19	WATER VALVE INLET ASSY	L477A	53	HEAT DUCT	97167
20	POWER CORD	44242	54	PRODUCT GUIDE (SHUTE)	CD70A
21	TIMER (for automatic units only) 120v	58017	55	STEAM DEFLECTOR	90272
22	TERMINAL BLOCK SINGLE	B135A	56	RESTRICTOR	92173
23	BODY FRAME WELDMENT ASSY	RG94Q	57	RETAINER	34007
24	LEGS (2.5") BLACK, PLASTIC (OPTIONAL) RUBBER FEET 1" BLACK (W/O BRACKETS)	M034A 18003	58	PRODUCT ADJUSTER	71001
25	STUD-DRIP TRAY	92007	59	AUGER SPRING	95116
26	DRIP TRAY PAN	75060	60	AUGER DRIVE COUPLING, PLASTIC	90211
27	GRILL	75015	61	HOPPER & BASE ASSY	97098
28	BRACKET-DRIP TRAY HOLDER (OPTIONAL W/2.5" LEGS ONLY)	RE73A	62	GEAR, AGITATOR DRIVE	90268
29	RINSE SWITCH	56039	63	AGITATOR	40692
30	HEATER SWITCH	L299A	64	PIN (STUD) HOPPER	04026
31	HEATER INDICATOR LIGHT AMBER	C002A	65	GEAR AUGER DRIVE (HOPPER VBASE), PLASTIC	90210
32	NUT - FOR SPACER	03003	66	RETAINER PIN, STEEL, (UNDER HOPPER)	04025
33	WASHER - FOR SPACER	07007	67	RETAINER PIN, S/STEEL, (ON COUPLING)	04030
34	SPACER - MIX CHAMBER (STUD)	05041	68	SIDE PANEL	RC75A

AUTOMATIC: ICAP 1 B LD [LIT DOOR] & WHIPPER B [NO LIT DOOR]

NE115

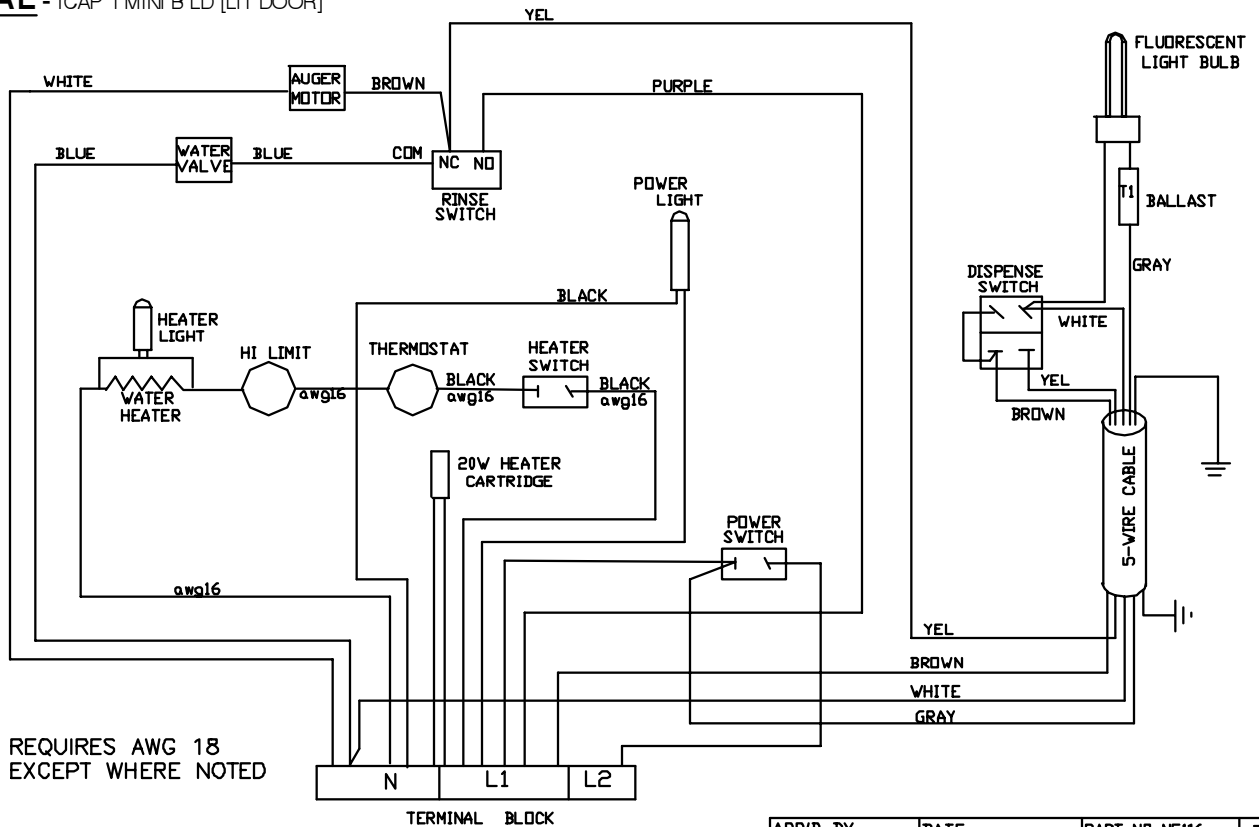
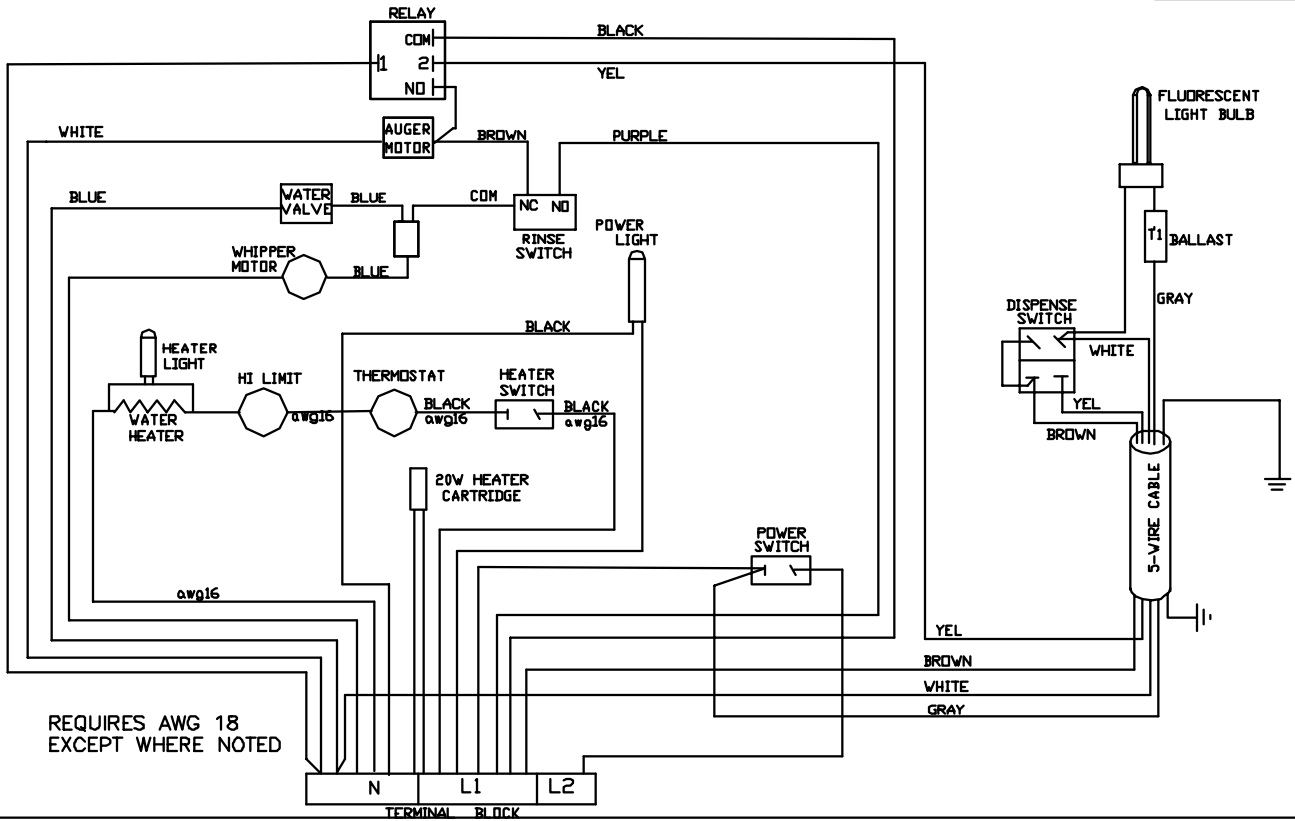


AUTOMATIC: ICAP 1 MINI B LD [LIT DOOR] & MINI WHIPPER B [NO LIT DOOR]



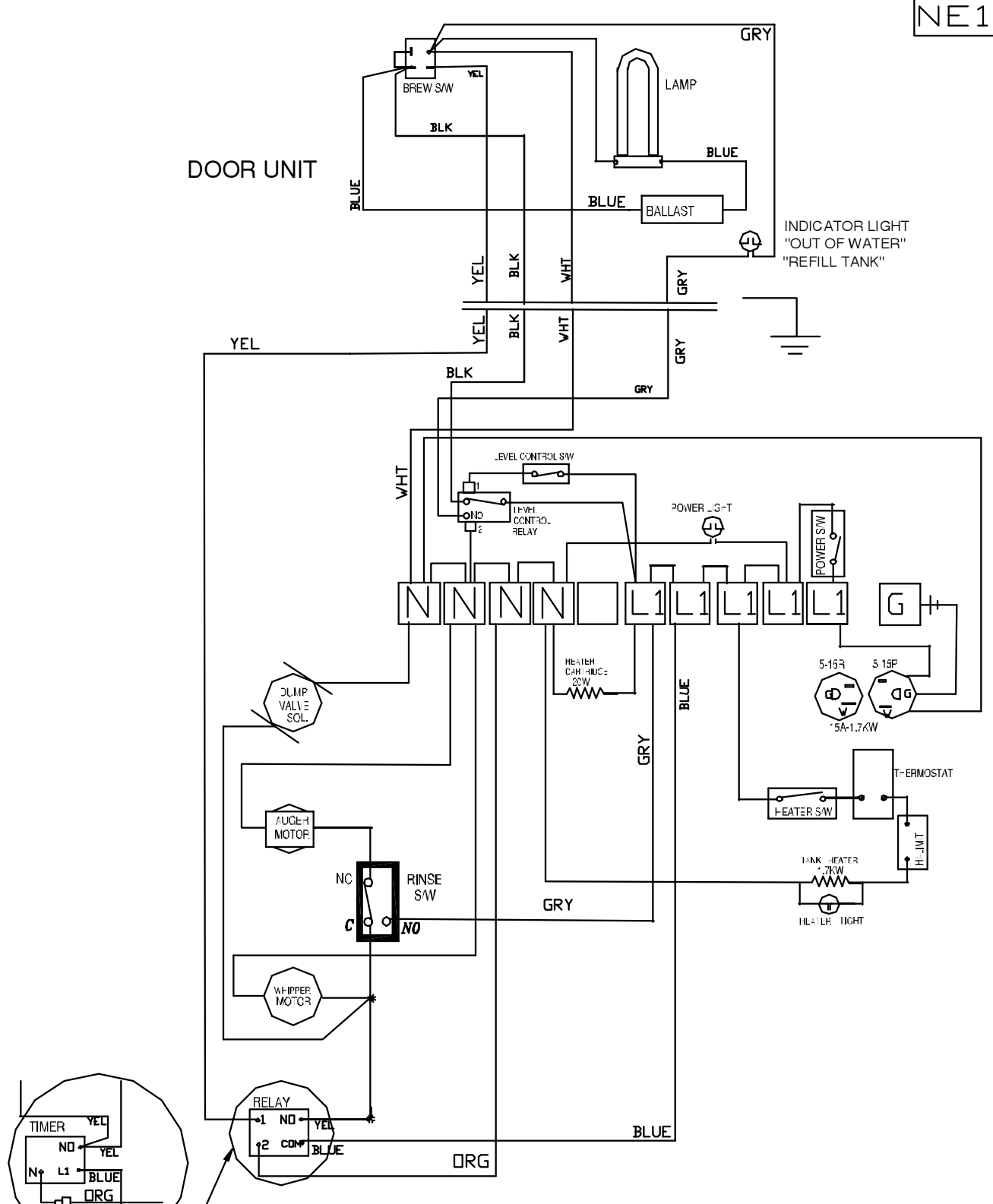
REV	BY	DATE	DESCRIPTION	APP'D BY	DATE	PART NO NE115
				DRAWN BY C.G.	DATE / /99	SCALE 1 : 1
CECILWARE CORPORATION 43-05 20 AVE. L.I.C. NY 11105						
TITLE: ELECTRICAL DIAGRAM, ICAP MINI (Lit Door) & MINI WHIPPER [NO LIT DOOR], AUTOMATIC 1PH, 2 WIRES+GRD, 120V, 1.7 KW						
						REV.

NE115



REV	BY	DATE	DESCRIPTION	APP'D BY	DATE	PART NO NE116
				DRAWN BY C.G.	DATE / /99	SCALE 1 : 1
CECILWARE CORPORATION						
43-05 20 AVE. L.I.C. NY 11105						REV.

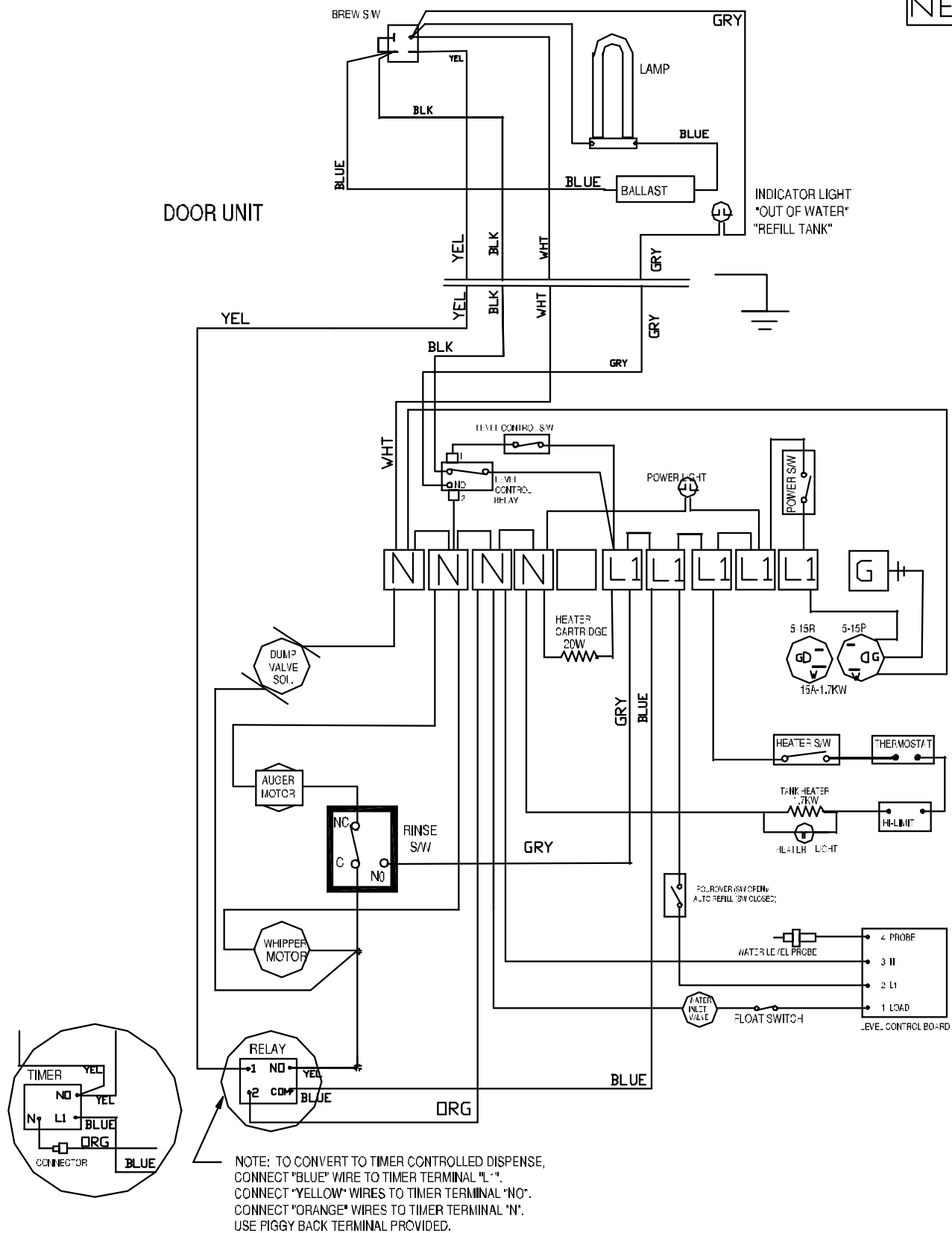
DOOR UNIT



NOTE: TO CONVERT TO TIMER CONTROLLED DISPENSE, CONNECT "BLUE" WIRE TO TIMER TERMINAL "L1".
 CONNECT "YELLOW" WIRES TO TIMER TERMINAL "NO".
 CONNECT "ORANGE" WIRES TO TIMER TERMINAL "N".
 USE PIGGY BACK TERMINAL PROVIDED.

REV	BY	DATE	DESCRIPTION	APP'D BY	DATE	PART NO NE117
				DRAWN BY C.G.	DATE / /99	SCALE 1 : 1
CECILWARE CORPORATION						
43-05 20 AVE. L.I.C. NY 11105						NE117
TITLE: ELECTRICAL DIAGRAM ICAP1 (Lit Door) POUROVER, MANUAL REFILL, 1PH, 2 WIRES+GROUND, 120V, 1.7 KW						REV.

DOOR UNIT



NOTE: TO CONVERT TO TIMER CONTROLLED DISPENSE,
 CONNECT "BLUE" WIRE TO TIMER TERMINAL "L-".
 CONNECT "YELLOW" WIRES TO TIMER TERMINAL "NO".
 CONNECT "ORANGE" WIRES TO TIMER TERMINAL "N".
 USE FIGGY BACK TERMINAL PROVIDED.

REV	BY	DATE	DESCRIPTION	APP'D BY	DATE	PART NO NE118
				DRAWN BY C.G.	DATE / /99	SCALE 1 : 1
<p>CECILWARE CORPORATION 43-D5 20 AVE. L.I.C. NY 11105</p>						
<p>TITLE: ELECTRICAL DIAGRAM ICAP1 (Lit Door) POUROVER, AUTO REFILL 1PH, 2 WIRES+GRD, 120V, 1.7 KW</p>						REV.

Z
 E
 C
 I
 L
 W
 A
 R
 E
 C
 O
 R
 P
 O
 R
 A
 T
 I
 O
 N
 00