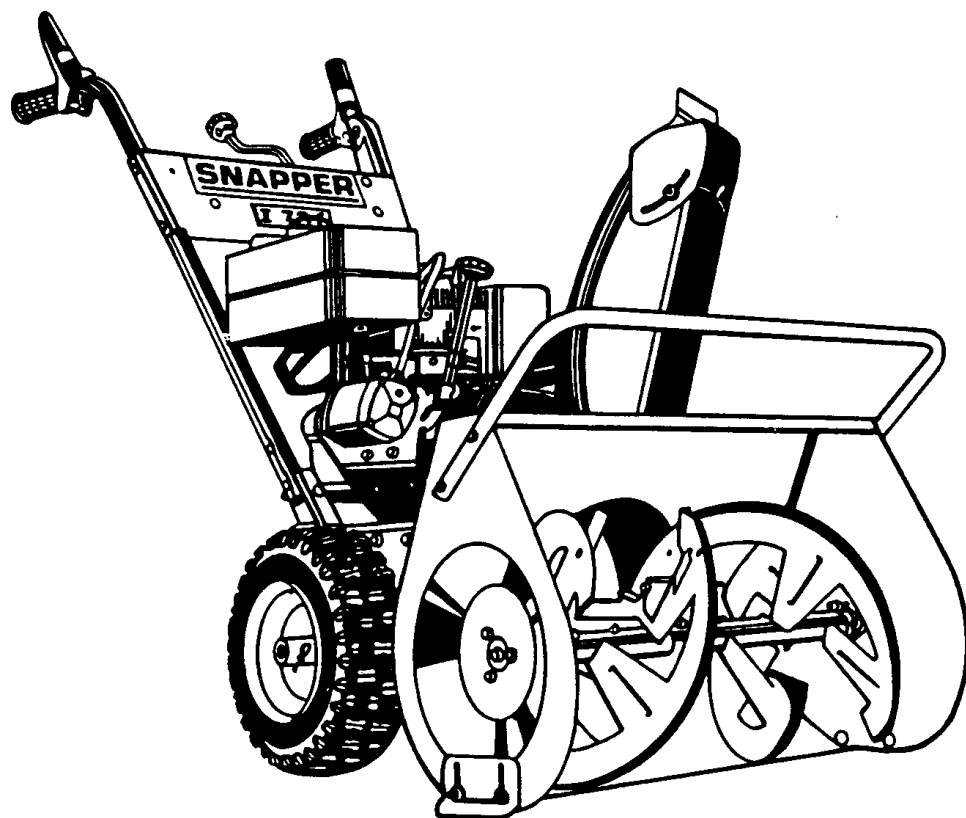


*Parts Manual for*  
**SNAPPER®**

**TWO-STAGE  
INTERMEDIATE FRAME  
SNOW THROWER  
SERIES 3**



<b>MODELS</b>	
14223	E15223
15223	E155223
155223	E17243
16223	
17243	

IT IS THE POLICY OF SNAPPER TO IMPROVE ITS PRODUCTS WHENEVER IT IS POSSIBLE AND PRACTICAL TO DO SO. WE RESERVE THE RIGHT TO MAKE CHANGES OR ADD IMPROVEMENTS AT ANY TIME WITHOUT INCURRING ANY OBLIGATION TO MAKE SUCH CHANGES ON PRODUCTS MANUFACTURED PREVIOUSLY.

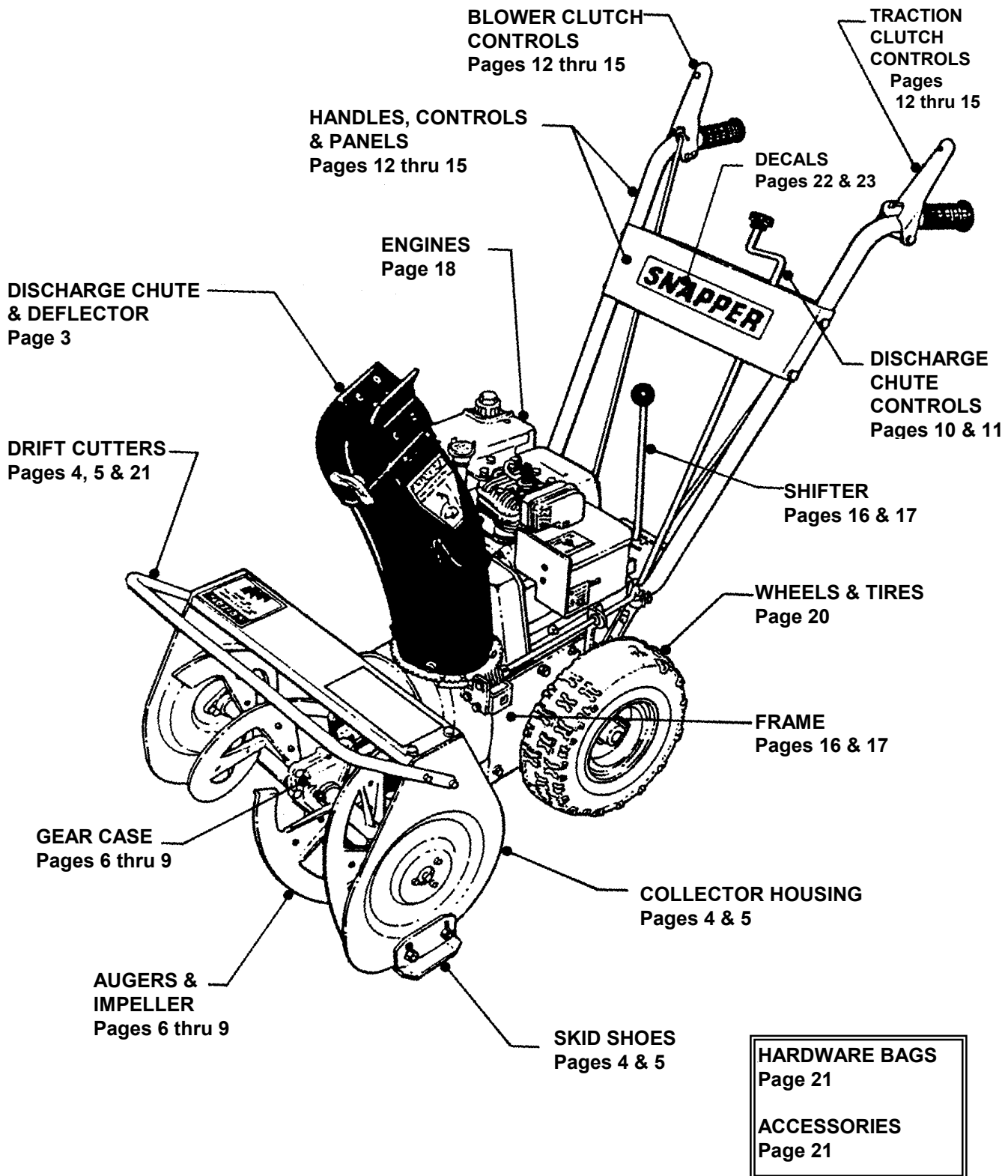
**SNAPPER**® McDonough, GA., 30253 U.S.A.

COPYRIGHT © 2000  
SNAPPER INC.  
ALL RIGHTS RESERVED

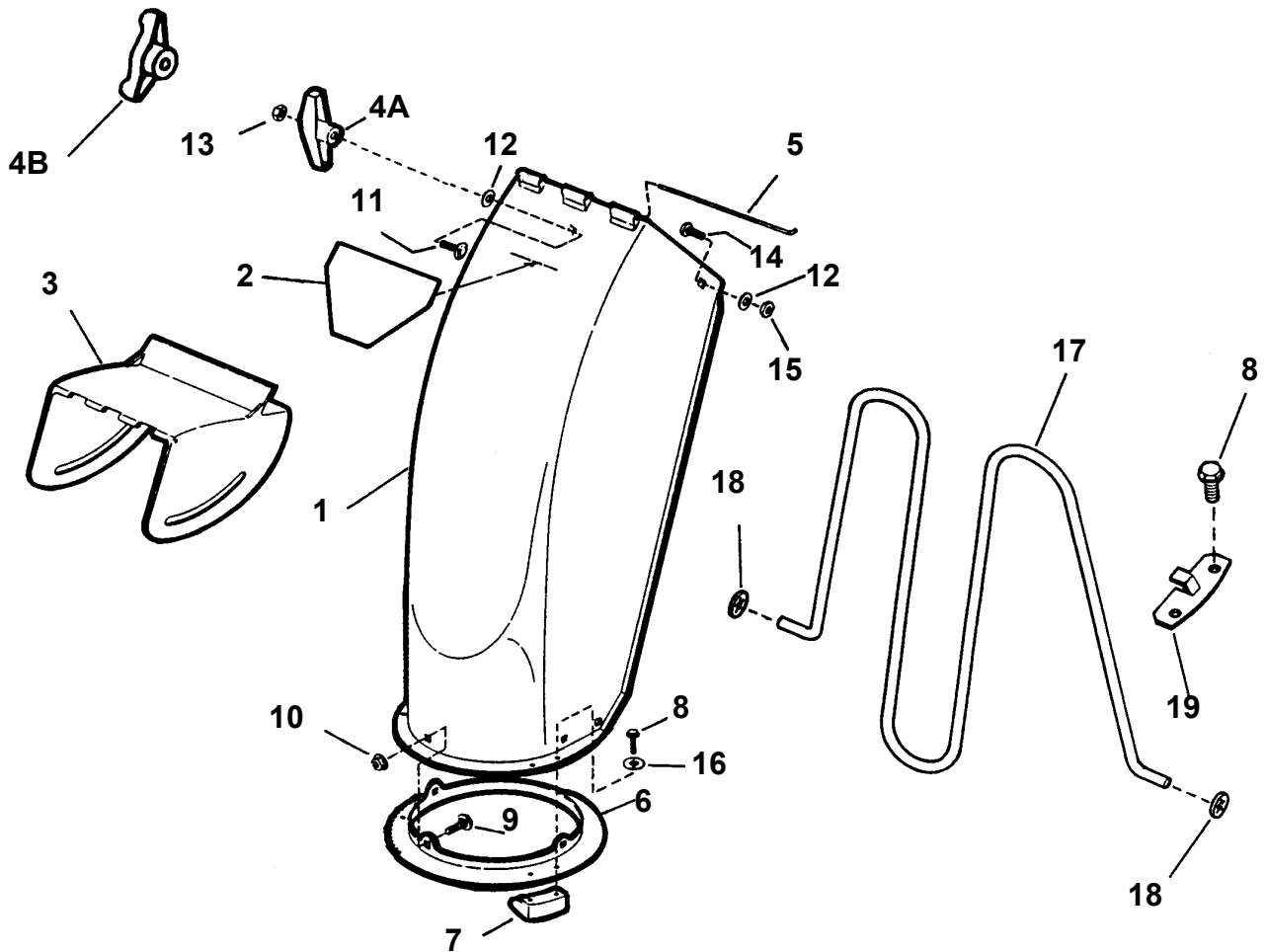
(REV. 5, 7/03/00)

MANUAL No. 06045

# FAMILIARIZATION

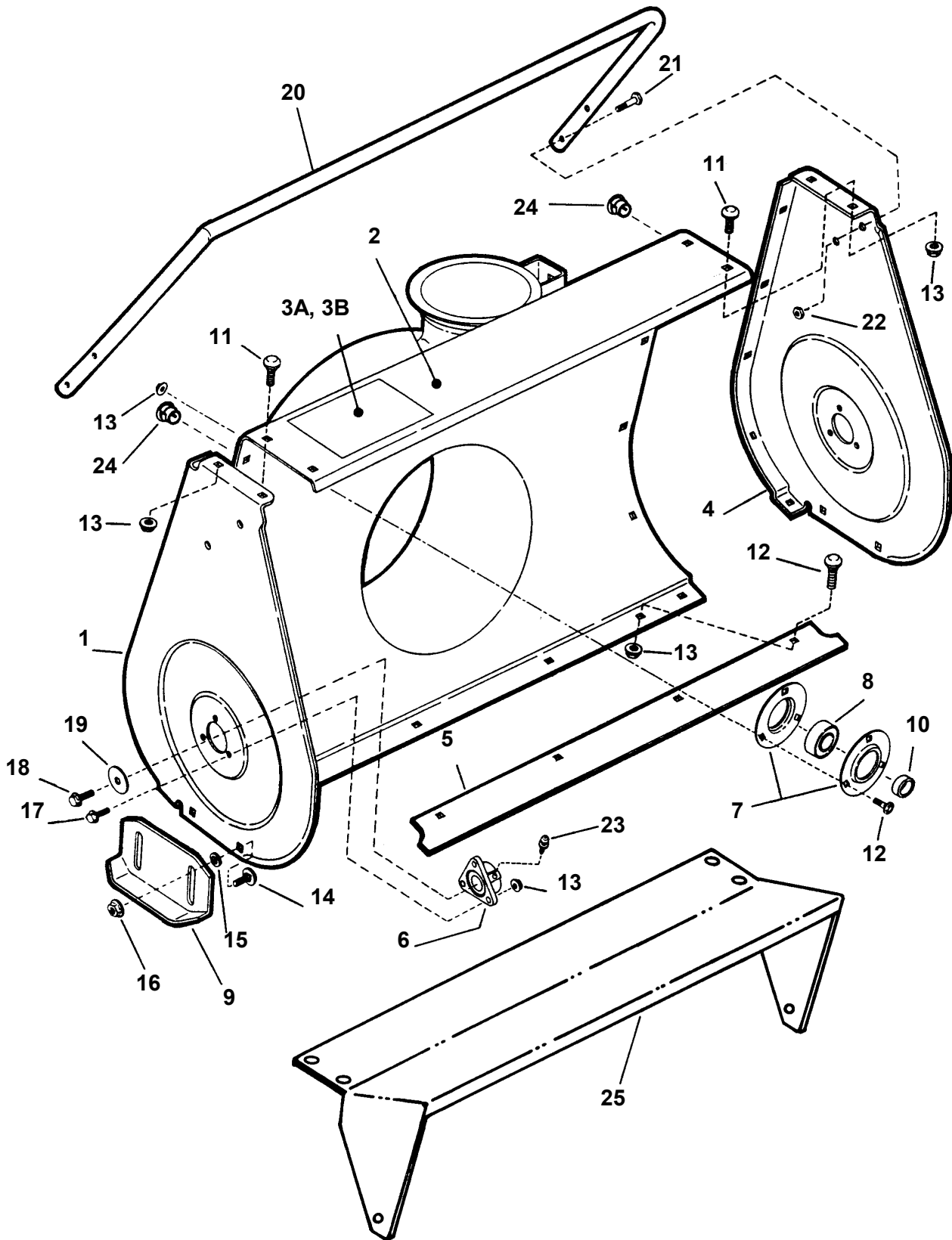


# DISCHARGE CHUTE



ITEM	PART NO.	DESCRIPTION
1	5-3411	ASSEMBLY, Discharge Chute (Includes Item 2)
2	2-4773	DECAL, Danger
2A	2-8700	DECAL, Read Manual (Euro)
3	2-8184	DEFLECTOR, Discharge Chute
4A	1-6324	T-KNOB (Plastic)
4B	3-5744	T-KNOB (w/5/16-18 insert)
5	2-8253	PIN, Hinge
6	3-8205	RING, Chute (Models I7243, I55223, EI55223 & EI7243)
-	3-3284	RING, Chute (Models I4223, I6223, & I5223)
7	1-1938	RETAINER (Chute Ring to Housing) (3)
8	9-1075	SCREW, #10-24 x 5/8" Hex Washer Self-Tapping (6)
9	9-1077	BOLT, 5/16-18 x 5/8" Square Neck Carriage, Grade 5 (3)
10	9-1070	NUT, 5/16-18 Hex Flange Lock, Grade 5 (3)
11	9-1097	BOLT, 5/16-18 x 3/4" Square Neck Carriage, Grade 5
12	9-1076	WASHER, 5/16 Flat (2)
13	9-0196	NUT, 5/16-18 Hex, Grade B or 5
14	9-1021	SCREW, 5/16-24 x 3/4" Hex Head Cap, Grade 5
15	9-1074	NUT, 5/16-24 Hex Center Lock, Grade B
16	9-1552	WASHER, 7/32 Flat (6)
17	1-9692	WIRE, Safety (Euro)
18	2-3673	PUSH-ON Fastener, .5/32" Dia. (Euro) (2)
19	3-2559	RETAINER, Safety Wire (Euro)

# COLLECTOR HOUSING (3 Piece Bolted)

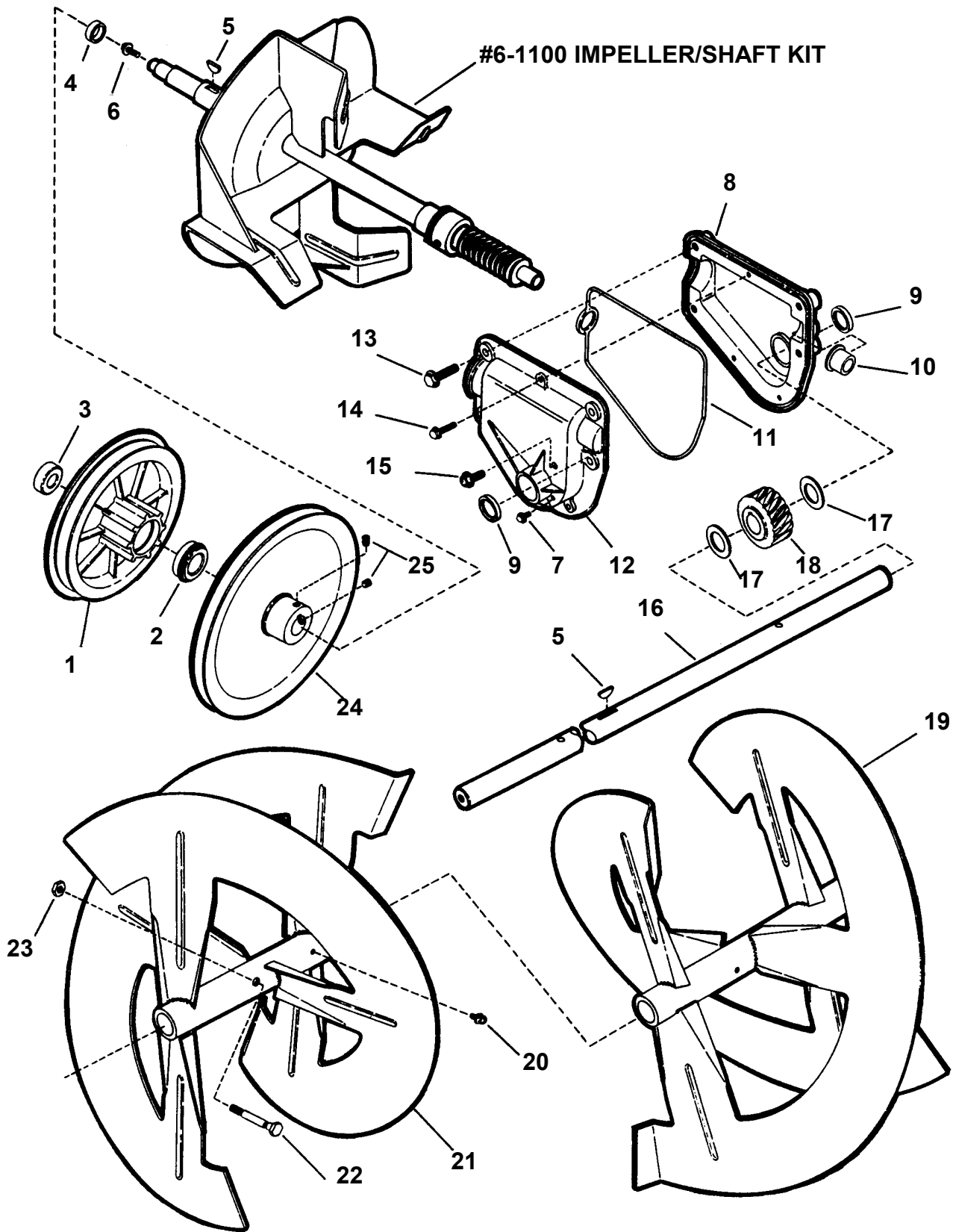


## COLLECTOR HOUSING (3 Piece Bolted)

ITEM	PART NO.	DESCRIPTION
1	3-4285	PLATE, Right Side (I4223, I5523, I55223 EI55223 & I6223 Models)
-	3-4288	PLATE, Right Side (I7243 & EI7243 Models)
2	5-3412	ASSEMBLY, 22" Blower Housing (I4223, I5223, I55223 & I6223 Models) (Includes Item 3B)
-	5-3622	ASSEMBLY, 24" Blower Housing (I7243 Models) (Includes Item 3A)
3A	2-8280	DECAL, Foot Danger
3B	1-6578	DECAL, Danger (Collector)
4	3-4284	PLATE, Left Side (I4223, I5223, I55223 EI55223 & I6223 Models)
-	2-8231	PLATE, Left Side (I7243 & EI7243 Models)
5	3-3298	BLADE, Scraper (I4223, I5223, I55223 EI55223 & I6223 Models)
-	3-6163	BLADE, Scraper (I7243 & EI7243 Models)
6	2-8188	BEARING, Auger Shaft (I4223, I5223, I55223 EI55223 & I6223 Models) (2)
-	1-8736	BEARING, Auger Shaft (I7243 & EI7243 Models) (2)
7	3-2455	HOUSING, Bearing (2)
8	1-4608	BEARING, Ball
9	3-7982	SHOE, Skid (2)
10	1-7865	SPACER, 3/4 x 1/4 x 1"
11	9-0999	SCREW, 1/4-20 x 5/8" Self-Tapping (Truss Head Torx) (14)
12	9-0666	BOLT, 1/4-20 x 5/8" Square Neck Carriage, Grade 5 (7)
13	9-1065	NUT, 1/4-20 Hex Flange Lock (13)
14	9-0799	BOLT, 5/16-18 x 5/8" Short Neck Carriage, Grade 5 (4)
15	3-2070	WASHER, 5/16 Flat (4)
16	9-1070	NUT, 5/16-18 Hex Flange Lock (4)
17	9-0699	BOLT, 1/4-20 x 3/4" Hex Flange Lock, Grade 5 (6)
18	9-0361	SCREW, 5/16-18 x 5/8" Hex Washer Self-Tap (2)
19	1-6314	WASHER, 21/64" Flat (2)
20	3-8230	DRIFT-CUTTER (I7243 & EI7243 Models Only)
--	3-8201	DRIFT-CUTTER (I55223 & EI55223 Models Only)
21	9-1059	SCREW, 1/4-20 x 1" Hex Head Cap, Grade 5 (4)
22	9-1099	NUT, 1/4-20 Hex Center Lock (4)
23	1-0817	FITTING, Lube (I7243 & EI7243 Models Only) (2)
24	4-2894	PLUG, Dome 3/16" Diameter (2)
25	3-4431	ADAPTER, Housing (22")
--	3-4432	ADAPTER, Housing (24")

# AUGERS, IMPELLER, GEAR CASE, SHAFT

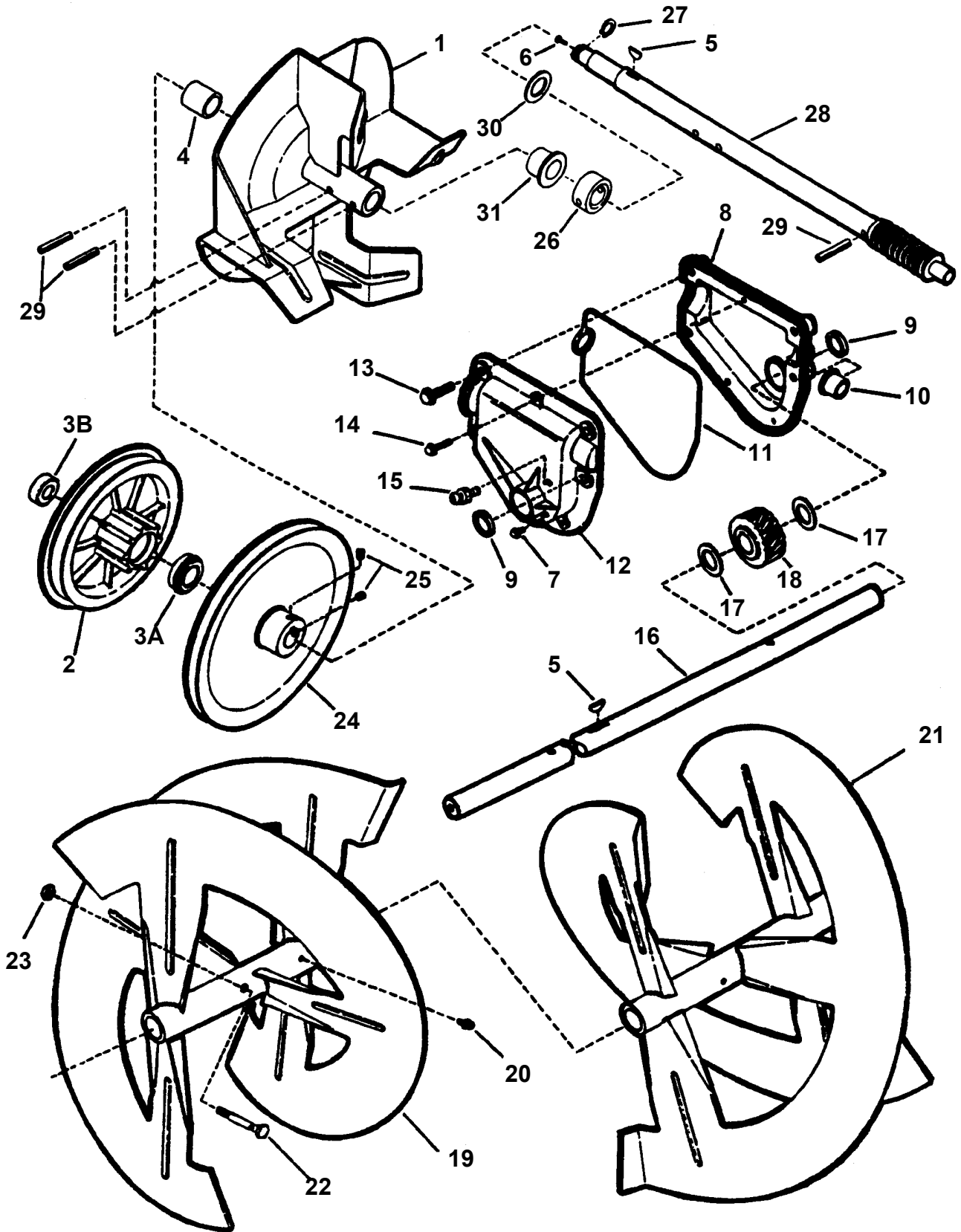
(for units built prior to Model Year 2000)



## **AUGERS, IMPELLER, GEAR CASE, SHAFT** (for units built prior to Model Year 2000)

<b>ITEM</b>	<b>PART NO.</b>	<b>DESCRIPTION</b>
-	6-1100	KIT, Impeller/Shaft Weldment Replacement
1	5-1566	ASSEMBLY, Drive Plate (Includes Items 2 & 3)
2	1-0756	BEARING, Ball
3	1-4295	BEARING, Ball
4	1-7865	SPACER
5	1-0211	KEY, #9 (3/16 x 3/4") Woodruff (2)
6	9-0929	SCREW, 1/4-20 x 1/2" Truss Head Self-Tapping (Torx)
7	9-0913	SCREW, #10-24 x 1/2" Hex Washer Self-Tapping (Torx)
8	1-9779	COVER, Gear Case (Left Hand)
9	1-5136	SEAL (2)
10	1-5230	BUSHING
11	1-5137	"O" RING
12	1-9780	COVER, Gear Case (Right Hand)
13	9-0290	SCREW, 1/4-20 x 3/4" Hex Washer Self-Tapping (4)
14	9-1075	SCREW, #10-24 x 5/8" Hex Washer Self-Tap, Grade 5 (3)
15	9-1084	SCREW, 1/4-20 x 3/8" Hex Washer Self-Tapping
16	2-9554	SHAFT, Auger
17	1-3852	WASHER, Thrust (2)
18	2-7652	GEAR, Worm
19	4-9969	AUGER, (Left Hand)
20	1-3864	FITTING, Lube (2)
21	4-9968	AUGER, (Right Hand)
22	1-5257	BOLT, 1/4-20 x 1-1/2" Shear (2)
23	7-6978	NUT, 1/4-20 Hex Nyloc (2)
24	1-3867	SHEAVE (Includes Setscrews)
25	9-0201	SCREW, 5/16-18 x 5/16 Hex Socket Set (2)

**AUGERS, IMPELLER, GEAR CASE, SHAFT**  
(for units built in Model Year 2000 and later)

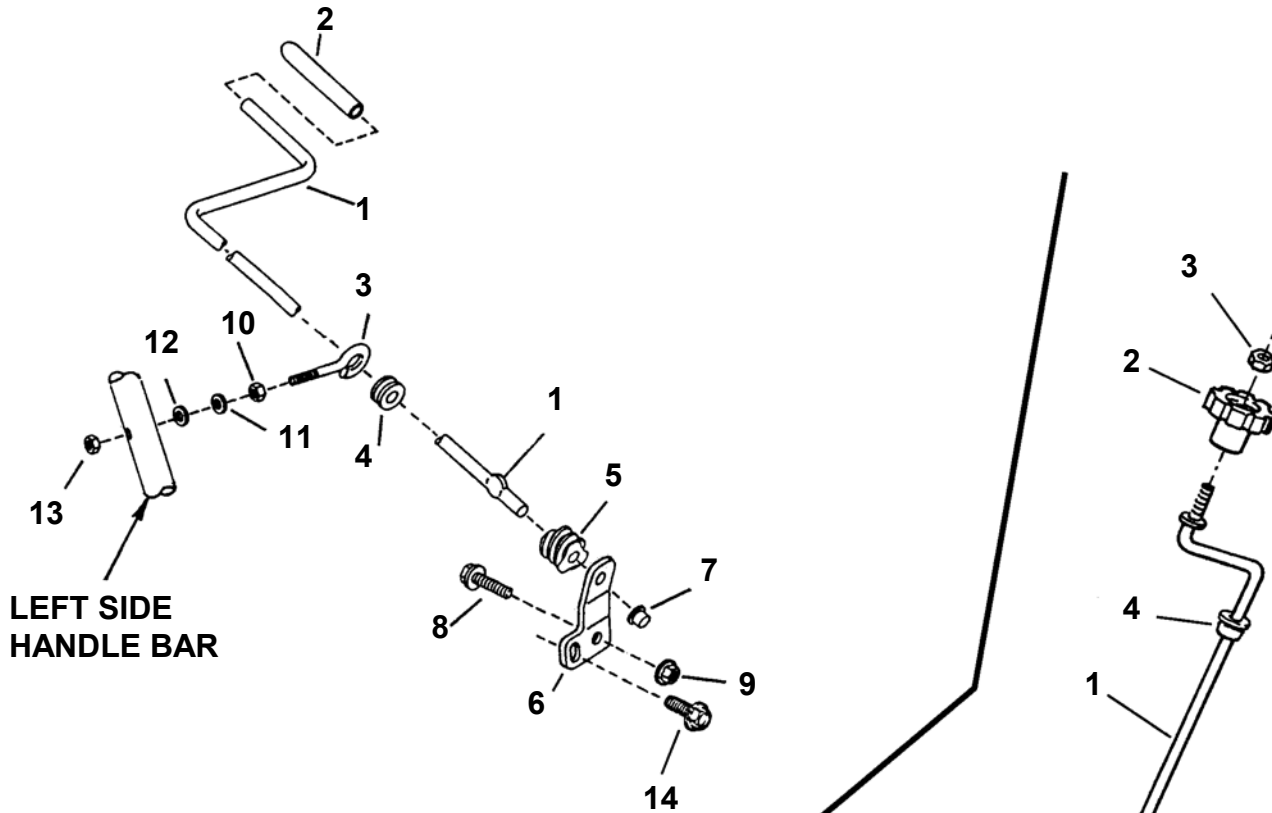




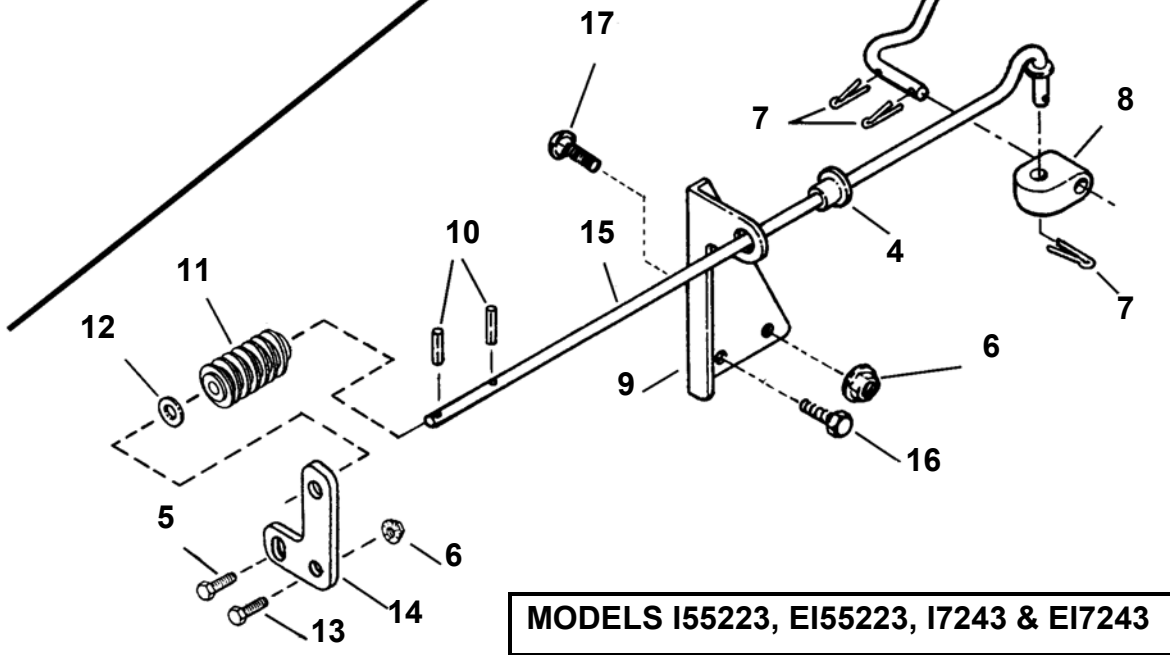
## AUGERS, IMPELLER, GEAR CASE, SHAFT (for units built in Model Year 2000 and later)

ITEM	PART NO.	DESCRIPTION
1	7-2423	WELDMENT, Impeller (Fan)
2	5-1566	ASSEMBLY, Drive Plate (Includes Items 3A & 3B)
3A	1-0756	BEARING, Ball
3B	1-4295	BEARING, Ball
4	1-7865	SPACER, .76 I.D. x 1" O.D. x .25" Thick
5	1-0211	KEY, #9 (3/16 x 3/4") Woodruff (2)
6	9-0929	SCREW, 1/4-20 x 1/2" Truss Head Self-Tapping (Torx)
7	9-0913	SCREW, #10-24 x 1/2" Hex Washer Self-Tapping (Torx)
8	1-9779	COVER, Gear Case (Left Hand)
9	1-5136	SEAL (2)
10	1-5230	BUSHING
11	1-5137	"O" RING
12	1-9780	COVER, Gear Case (Right Hand)
13	9-0290	SCREW, 1/4-20 x 3/4" Hex Washer Self-Tapping (4)
14	9-1075	SCREW, #10-24 x 5/8" Hex Washer Self-Tap, Grade 5 (3)
15	1-4247	FITTING, Lube 1/4-28 Thread Forming
16	2-9554	SHAFT, Auger
17	1-3852	WASHER, Thrust (2)
18	2-7652	GEAR, Worm
19	4-9969	AUGER, (Left Hand)
20	1-3864	FITTING, Lube (for 3/16" dia. hole)(2)
21	4-9968	AUGER, (Right Hand)
22	1-5257	BOLT, 1/4-20 x 1-1/2" Shear (2)
23	9-0372	NUT, 1/4-20 Hex Center Lock (2)
24	1-3867	SHEAVE (Includes Setscrews)
25	9-0201	SCREW, 5/16-18 x 5/16 Hex Socket Set (2)
26	2-1961	COLLAR
27	1-0776	RING, 1/2" Heavy Duty External Retaining
28	1-9783	SHAFT, Pinned Impeller (Worm)
29	9-0842	ROLL-PIN, 1/4 x 1-1/4" (3)
30	3-2479	WASHER, Thrust
31	1-5363	BEARING

# CHUTE CRANK CONTROL



**MODELS I4223, I5223  
& I6223**



**MODELS I55223, EI55223, I7243 & EI7243**

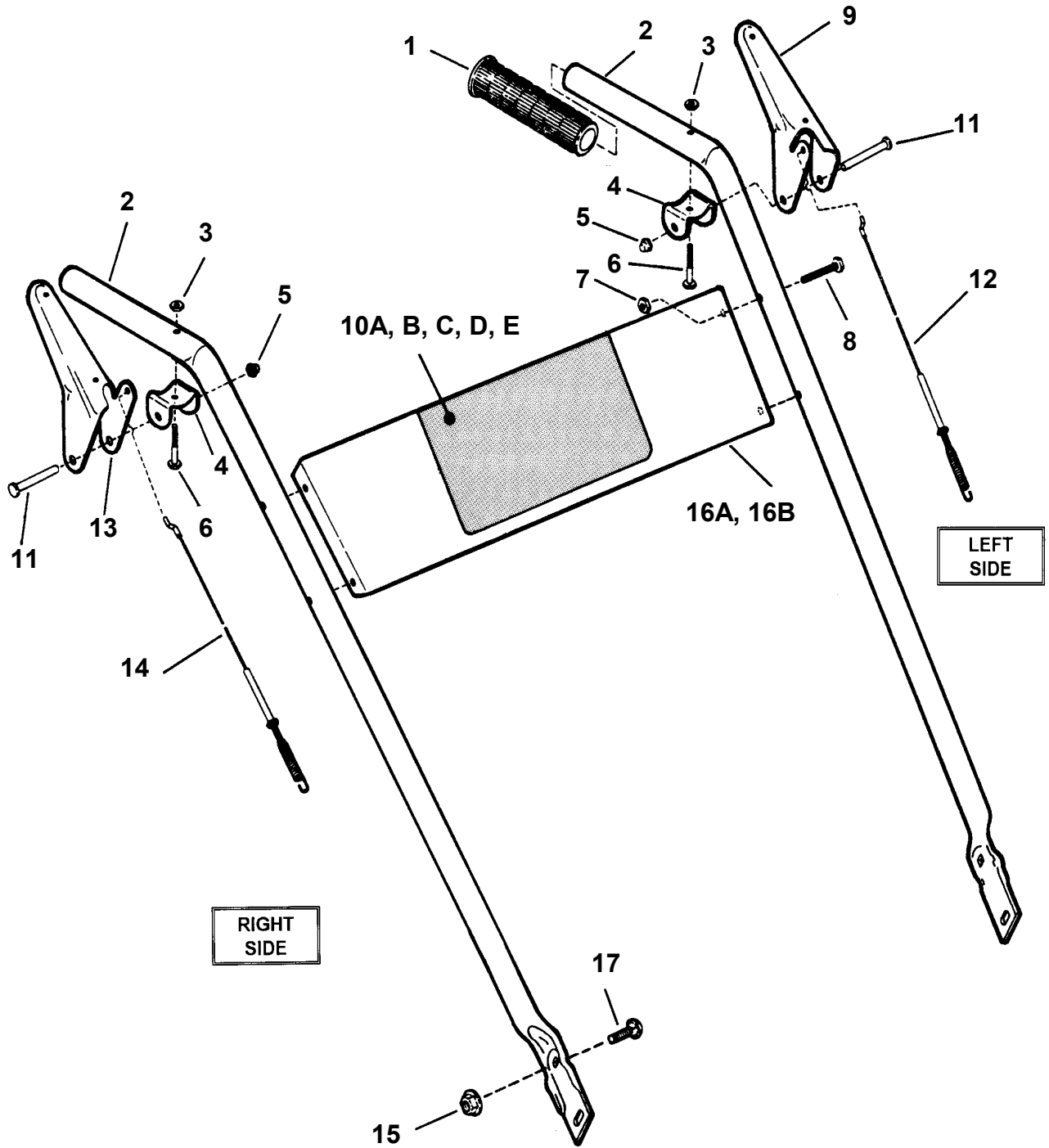
**CHUTE CRANK CONTROL**  
(Models I4223, I5223 & I6223)

ITEM	PART NO.	DESCRIPTION
1	1-7626	CRANK, Chute
2	2-2332	GRIP, Vinyl
3	1-7623	BOLT, 5/16-18 Eye
4	1-7622	GROMMET
5	1-7606	WORM (Plastic)
6	2-8178	BRACKET, Worm Shaft
7	9-1135	NUT, 3/8" Push
8	9-1138	SCREW, 5/16-18 x 5/8" Hex Head Cap, Grade 5
9	9-1070	NUT, 5/16-18 Hex Flange Lock, Grade 5
10	9-1069	NUT, 5/16-18 Hex, Grade B or 5
11	9-0391	WASHER, 5/16 Internal Tooth Lock
12	9-1076	WASHER, 5/16 Flat
13	9-1067	NUT, 5/16-18 Hex Center Lock, Grade B
14	9-1012	SCREW, #10-32 x 3/8" Hex Washer Self-Tap, (Torx)

**CHUTE CRANK CONTROL**  
(Model I55223, EI55223, I7243 & EI7243)

ITEM	PART NO.	DESCRIPTION
1	2-8180	CRANK, Chute
2	1-3901	KNOB, Chute Crank
3	9-1067	NUT, 5/16-18 Hex Center Lock, Grade B
4	1-2117	BUSHING (2)
5	9-0539	SCREW, 1/4-20 x 1/2" Hex Washer Self-Tapping
6	9-1070	NUT, 5/16-18 Hex Flange Lock, Grade 5 (2)
7	9-1082	PIN, 3/32 x 3/4" Cotter (3)
8	2-8222	BLOCK
9	3-4301	BRACKET, Shaft
10	1-4001	PIN, 1/8 x 3/4" Roll (3)
11	2-1828	WORM
12	1-1724	WASHER, Spring
13	9-1138	SCREW, 5/16-18 x 5/8" Hex Head Cap, Grade 5
14	2-8177	BRACKET, Worm Shaft
15A	2-8181	SHAFT, Worm (Model I7243 & EI7243)
15B	4-5204	SHAFT, Worm (long) (Model I55223 & EI55223)
16	9-0858	SCREW, 5/16-18 1/2" Hex Washer Self-Tapping (2)
17	9-1026	BOLT, 5/16-18 x 5/8" Short Neck Carriage, Grade 5

**HANDLES, CONTROLS (CONVENTIONAL TYPE)**  
(I4223, I5223, I55223 EI55223 & I6223 Models)



SEE PAGE 12 FOR SINGLE HANDLE TYPE HANDLES

## HANDLES, CONTROLS (CONVENTIONAL TYPE) (I4223, I5223, I55223 EI55223 & I6223 Models)

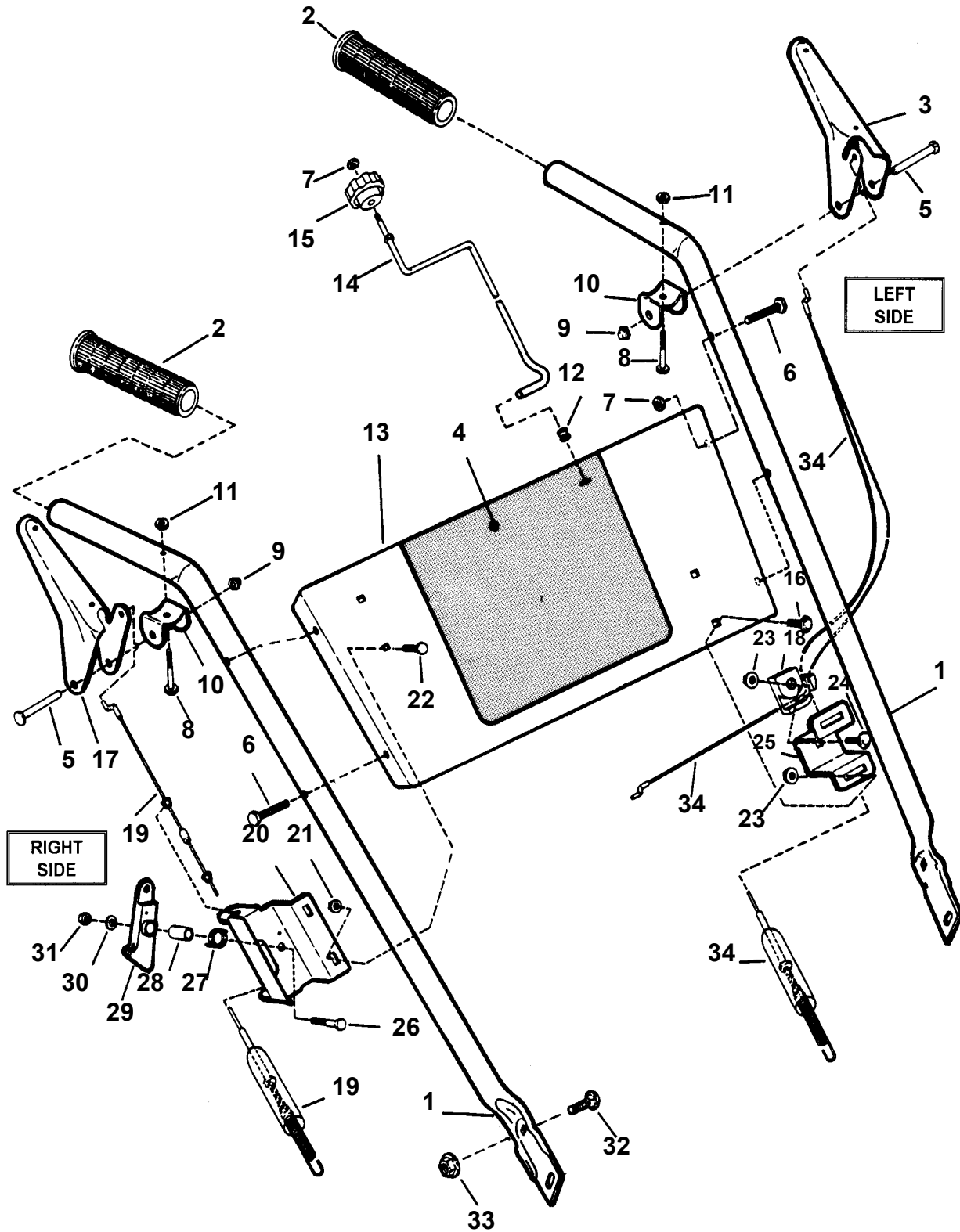
ITEM	PART NO.	DESCRIPTION
1	2-8189	GRIP, Handle (2)
2	3-4426	BAR, Handle (Right Hand)
--	3-4425	BAR, Handle (Left Hand)
3	9-0303	NUT, 1/4-28 Hex Top Lock (2)
4	3-2921	BRACKET, Handle (2)
5	9-1020	NUT, 1/4 Push (2)
6	9-1025	SCREW, 1/4-28 x 1-3/8" Hex Head Cap, Grade 5 (2)
7	9-1067	NUT, 5/16-18 Hex Center Lock, Grade B (4)
8	9-1066	SCREW, 5/16-18 x 1-1/2" Hex Head Cap, Grade 5 (4)
9	3-2907	HANDLE, Left Side
10A	2-8276	DECAL, Snapper (I4223 Model)
10B	2-8251	DECAL, Snapper (I6223 Model)
10C	4-5207	DECAL, Snapper (I55223 Model)
10D	4-5217	DECAL, Snapper (EI55223 Model)
10E	2-8544	DECAL, Snapper (I5223 Model)
11	1-6297	PIN, 1/4x 1-7/8" Clevis (2)
12	2-8223	CABLE, Clutch Left Side (Short)
13	3-2908	HANDLE, Right Side
14	2-8194	CABLE, Auger Right Side (Long)
15	9-1070	NUT, 5/16-18 Hex Flange Lock, Grade 5 (4)
16A	3-4287	PANEL, Control
16B	4-5209	PANEL, Control (I55223 & EI55223 Models)
17	9-1026	BOLT, 5/16-18 x 5/8" Short Neck Carriage, Grade 5 (4)

---

### #6-0990 SINGLE HANDLE CONTROL KIT

PARTS NO.	DESCRIPTION
6-0990	KIT, Single Handle Control Kit (Includes Items 1 Thru 10)
3-6237	PANEL, Control
5-2025	CABLE, Guide
5-7508	ASSEMBLY, Cam Lock
2-8267	CABLE, Auger
9-1064	BOLT, 1/4-20 x 1/2" Short Neck Carriage, Grade 5 (2)
9-1065	NUT, 1/4-20 Hex Flange Lock (2)
9-1085	BOLT, #10-24 x" 1/2 Flat Head Carriage (2)
9-1079	NUT, #10-24 Hex Flange Lock (2)
2-8276	DECAL, I4223
2-8251	DECAL, I6223

# HANDLES, CONTROLS (SINGLE HANDLE TYPE) (I7243 & EI7243 Models)



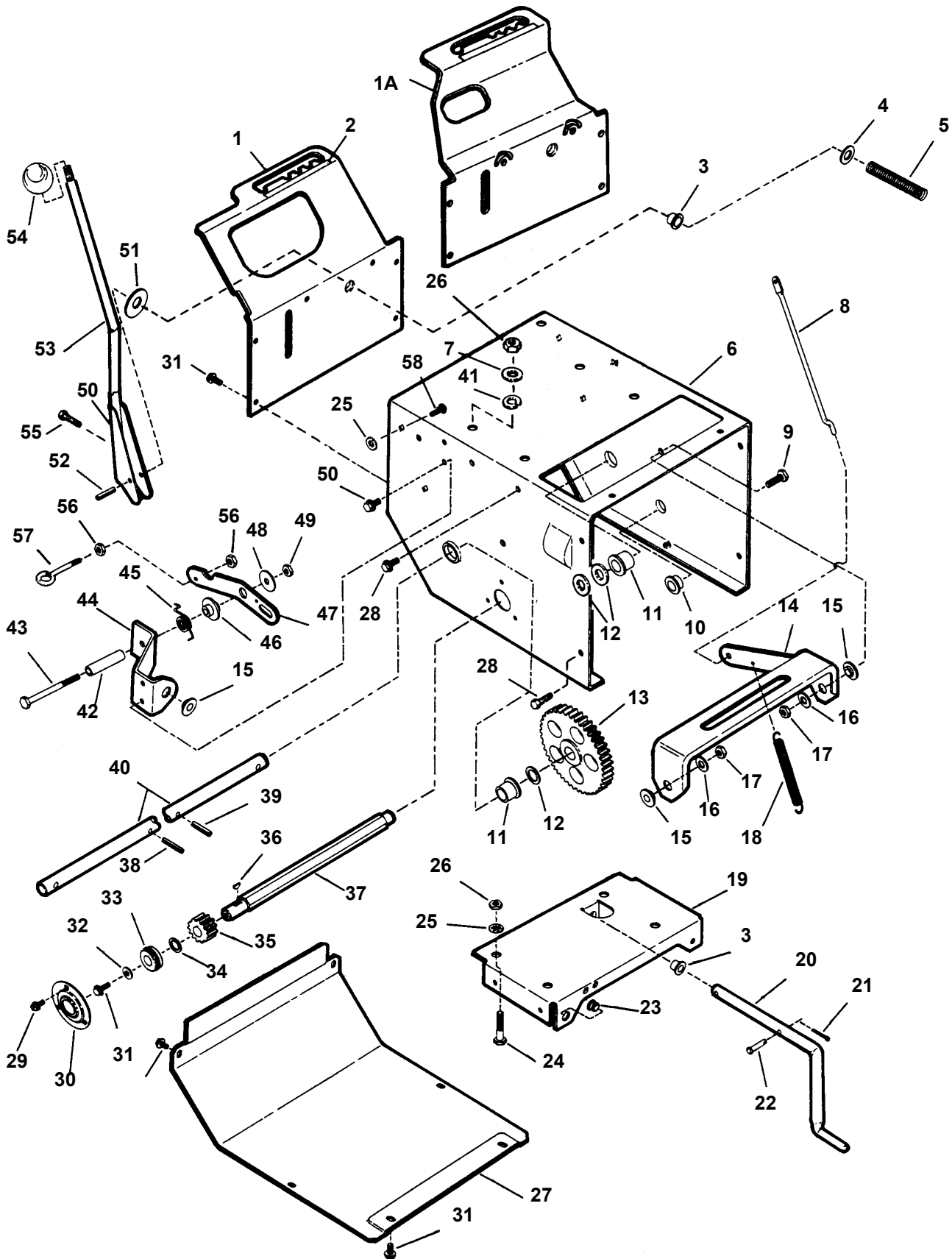
SEE PAGE 10 FOR CONVENTIONAL TYPE HANDLES

## HANDLES, CONTROLS (SINGLE HANDLE TYPE) (I7243 & EI7243 Models)

ITEM	PART NO.	DESCRIPTION
1	3-4425	BAR, Handle (Left Hand)
1A	3-4426	BAR, Handle (Right Hand)
2	1-1870	GRIP, Handle (2)
3	3-2907	HANDLE (Left Hand)
4	2-8277	DECAL, Control Model 7/24
--	2-8713	DECAL, Control Model E7/24
5	1-6297	PIN, 1/4 x 1-7/8" Clevis (2)
6	9-1066	SCREW, 5/16-18 x 1-1/2" Hex Head Cap, Grade 5 (4)
7	9-1067	NUT, 5/16-18 Hex Center Lock, Grade B (5)
8	9-1025	SCREW, 1/4-28 x 1-3/8" Hex Head Cap, Grade 5 (2)
9	9-1020	NUT, 1/4" Push (2)
10	3-2921	BRACKET, Handle (2)
11	9-0303	NUT, 1/4-28 Hex Top Lock (2)
12	1-2117	BUSHING
13	3-6237	PANEL, Control
14	2-8180	CRANK, Chute
15	1-3901	KNOB, Chute Crank
16	9-1064	BOLT, 1/4-20 x 1/2" Short Neck Carriage, Grade 5 (2)
17	3-2908	HANDLE (Right Side)
18	1-5960	GUIDE, Cable
19	2-8267	CABLE, Auger Right Side
20	3-8352	CAM BRACKET
21	9-1079	NUT, #10-24 Hex Flange Lock
22	9-1085	BOLT, #10-24 x 1/2" Flat Head Carriage
23	9-1065	NUT, 1/4-20 Hex Flange Lock (3)
24	9-0074	BOLT, 1/4-20 x 3/4" Short Neck Carriage, Grade 5
25	3-2651	BRACKET, Cable Guide Support
26	9-0548	SCREW, 1/4-20 x 1" Hex Head Cap, Grade 5
27	1-5966	SPRING, Cam Lock
28	1-5969	SPACER
29	1-8980	CAM LOCK
30	9-0055	WASHER, 1/4" Flat
31	9-1099	NUT, 1/4-20 Hex Center Lock, Grade B or 5
32	9-1026	BOLT, 5/16-18 x 5/8" Short Neck Carriage, Grade 5 (4)
33	9-1070	NUT, 5/16-18 Hex Flange Lock, Grade 5 (4)
34	2-8268	CABLE, Clutch (Left Hand)

**SEE PAGE 10 FOR CONVENTIONAL TYPE HANDLES  
SEE PAGE 12 FOR SINGLE HANDLE TYPE HANDLES**

# FRAME, TRACTION DRIVE





## FRAME, TRACTION DRIVE

ITEM	PART NO.	DESCRIPTION
1	3-6285	COVER, Rear Frame (I4223, I5223, I55223 & EI55223 Models)
1A	3-4298	COVER, Rear Frame (I6223, I7243 & EI7243 Models)
2	2-8282	DECAL, Direction Control
3	1-1016	BUSHING, 1/2" Nylon (2)
4	9-0250	WASHER, 1/2" Flat
5	1-5165	SPRING, Shift
6	3-4282	FRAME
7	9-0188	WASHER, 5/16" Flat (4)
8	1-5166	ROD, Clutch
9	9-0563	SCREW, 3/8-16 x 1" Hex Head Cap, Grade 5 (2)
10	1-5164	BEARING
11	1-5363	BUSHING (2)
12	1-0935	WASHER, 3/4" Flat (3)
13	1-8741	GEAR, Axle Shaft
14	4-7873	BRACKET, Clutch
15	1-4314	BUSHING (3)
16	9-0122	WASHER, 3/8" Flat (2)
17	9-0546	NUT, 3/8-16 Hex Center Lock, Grade B or 5 (2)
18	1-2264	SPRING, Clutch
19	3-6343	SUPPORT, Engine
20	1-8750	ROD, Shift
21	9-0673	PIN, 1/16 x 1/2" Cotter
22	1-5157	PIN, 3/16 x 7/8" Clevis
23	1-2117	BUSHING, 3/8" Plastic
24	9-0636	SCREW, 5/16-18 x 1" Hex Head Cap, Grade 5 (5)
25	1-1791	RETAINER, 5/16" Bolt (5)
26	9-1069	NUT, 5/16-18 Hex, Grade 5 (8)
27	3-4228	COVER, Bottom Frame
28	9-0858	SCREW, 5/16-18 x 1/2" Hex Washer Self-Tap (12)
29	9-0981	SCREW, #10-32 x 1/4" Hex Washer Self-Tap (3)
30	3-2460	RETAINER, Bearing
31	9-0539	SCREW, 1/4-20 x 1/2" Hex Washer Self-Tap (13)
32	9-0055	WASHER, 1/4" Flat
33	1-5141	BEARING, Ball
34	1-4296	WASHER, 1/2" Shim
35	1-8740	GEAR, Pinion
36	1-5163	KEY, 3/32 x 1/2 Woodruff (#304)
37	2-7653	SHAFT, Hex
38	9-0842	PIN, 1/4 x 1-1/4" Roll
39	1-3072	PIN, 1/4 x 1" Roll
40	2-7654	AXLE, Shaft
41	9-0187	WASHER, 5/16" Split Lock (4)
42	1-5198	SPACER
43	9-0553	SCREW, 5/16-18 x 3" Hex Head Cap, Grade 5
44	3-2466	BRACKET
45	1-5178	SPRING
46	1-5139	BUSHING
47	3-2838	LEVER
48	1-6314	WASHER, 5/16" Flat
49	9-1067	NUT, 5/16-18 Hex Center Lock, Grade B
50	3-4283	HUB
51	3-1036	WASHER, Thrust
52	1-3550	PIN, 3/16 x 1" Roll
53	3-4417	SHIFTER
54	1-2659	KNOB, Shifter
55	9-1289	SCREW, #10-32 x 5/8" Hex Washer Self-Tap
56	9-0583	NUT, 1/4-20 Hex Flange Lock (I6223, I7243 & EI7243 Models) (2)
57	2-3817	BOLT, 1/4-20 Eye (I6223, I7243 & EI7243 Models)
58	9-1026	BOLT, 5/16-18 x 5/8" Short Neck Carriage, Grade 5 (9)

# ENGINE, PULLEY, IDLER, CLUTCH SYSTEM

## ENGINE SPECIFICATIONS.

4 HP Tecumseh  
TEC. Model HSSK50

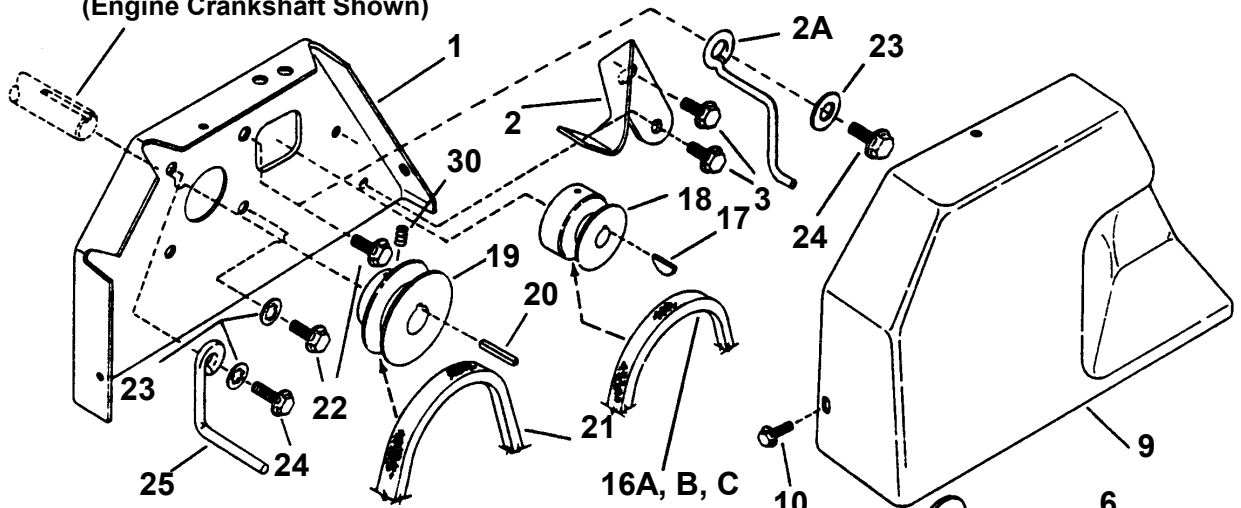
5HP Tecumseh  
TEC. Model HSSK50

5.5HP Tecumseh  
TEC. Model OHSK55

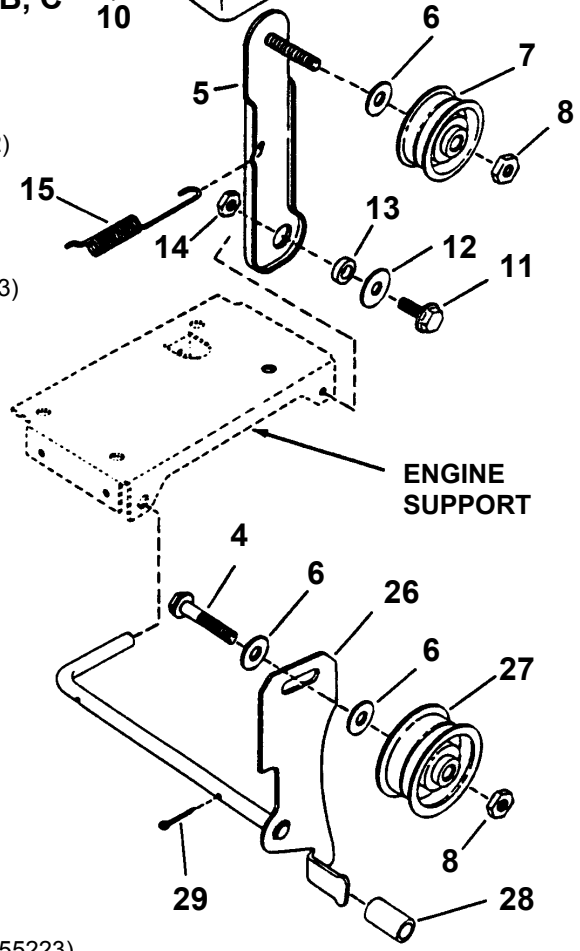
6 HP Tecumseh  
TEC. Model HSSK50

7 HP Tecumseh  
TEC. Model HSK70

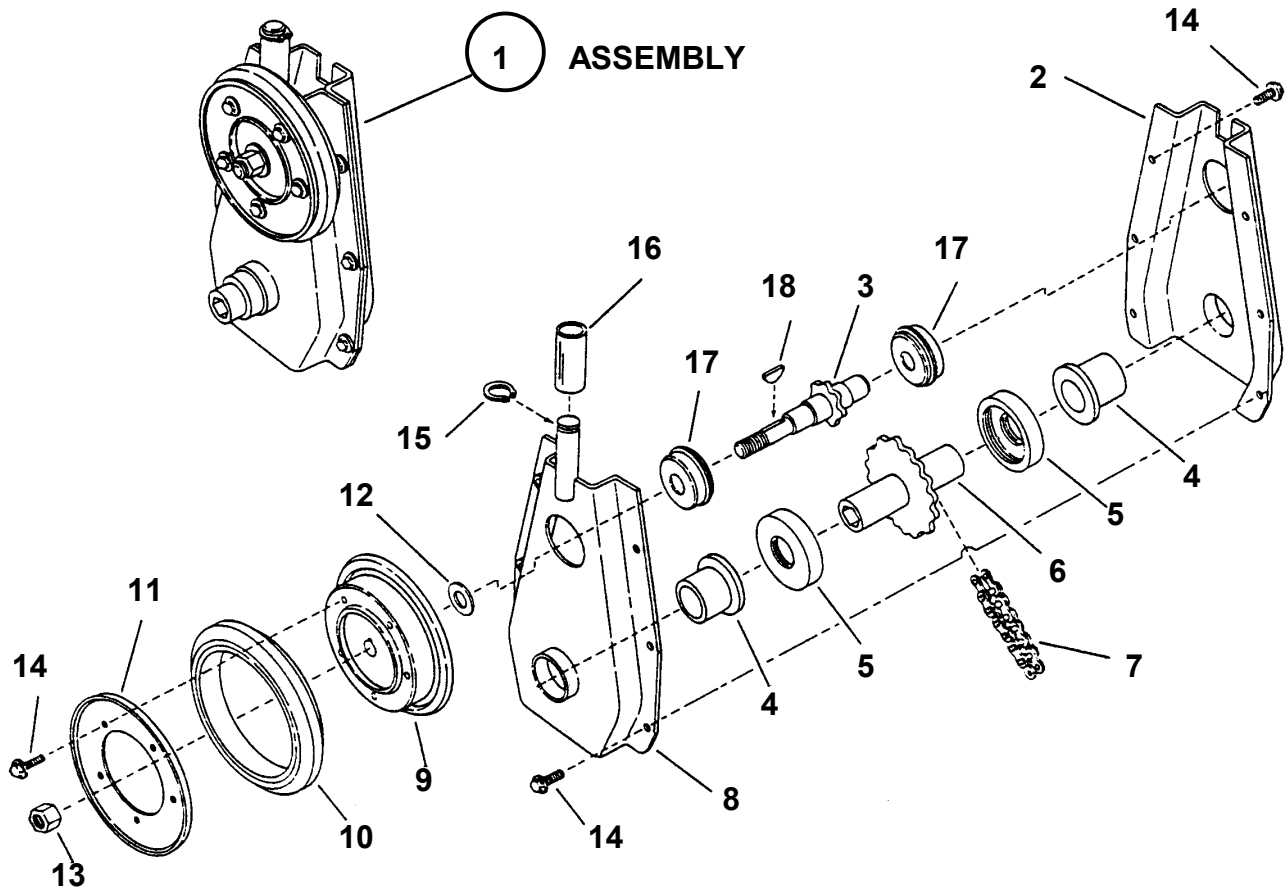
(Engine Crankshaft Shown)



ITEM	P/N	DESCRIPTION
1	4-5185	PLATE, Engine
2	3-8521	GUIDE, Belt (I4223 & I5223)
--	4-5186	GUIDE, Belt (I5225 & EI5223) (looks similar to item 2)
2A	3-8534	GUIDE, Belt (I6223, I7243 & EI7243)
3	9-0322	SCREW, 5/16-18 x 1/2" Hex Head Cap (2)
4	9-0503	SCREW, 3/8-16 x 1-3/4" Hex Head Cap, Grade 5
5	5-3875	BRACKET, Idler (I4223 & I5223)
-	5-8462	BRKT., Idler (I55223, EI55223, I6223, I7243 & EI7243)
6	9-0122	WASHER, 3/8" Flat (2)
7	1-0948	IDLER, 2" O.D.
8	9-0546	NUT, 3/8-16 Hex Center Lock, Grade B or 5 (2)
9	3-5083	COVER, Belt
10	9-1075	SCREW, #10-24 x 5/8" H. Wshr. Self-Tap, Gr. 5 (3)
11	9-0636	SCREW, 5/16-18 x 1" Hex Head Cap, Grade 5
12	1-4098	WASHER, 5/16" Flat
13	1-5698	SPACER
--	7-2576	SPACER (I55223, EI55223, I7243 & EI7243)
14	9-0184	NUT, 5/16-18 Hex Center Lock, Grade B or 5
15	1-5188	SPRING
16A	1-5151	BELT, Traction (I4223 & I5523)
16B	2-3416	BELT, Traction (I6223, I7243 & EI7243)
16C	4-5214	BELT, Traction (I55223 & EI55223)
17	1-0614	KEY, 1/8 x 5/8" Woodruff
18	1-5179	PULLEY, P.T.O. (I4223, I55223 & EI55223)
--	2-3622	PULLEY, P.T.O. (I6223, I7243 & EI7243)
19	1-5180	PULLEY, Auger Drive
20	1-0061	KEY, 3/16 Square x 1"
21	1-5152	BELT, Blower
22	9-0322	SCREW, 5/16-24 x 1/2" Hex Head Cap (2)
23	9-0391	WASHER, 5/16" Internal Tooth Lock (4)
24	9-1021	SCREW, 5/16-24 x 3/4" Gr. 5 (2) (I4223, I55223 & EI55223)
--	9-0233	SCREW, 5/16-24 x 3/4" Gr. 5 (2) (I6223, I7243 & EI7243)
25	1-5226	GUIDE, Belt
26	4-7875	BRAKE ARM & ROD
27	1-4340	IDLER, 2-1/2" Flat
28	1-5177	TUBE, Brake
29	9-0360	PIN, 1/16 x 3/4" Cotter (2)
30	9-0471	SCREW, 1/4-20 x 5/16 Socket Set
31	4-1995	MUFFLER GUARD, Tecumseh 5.5 HP (not shown)

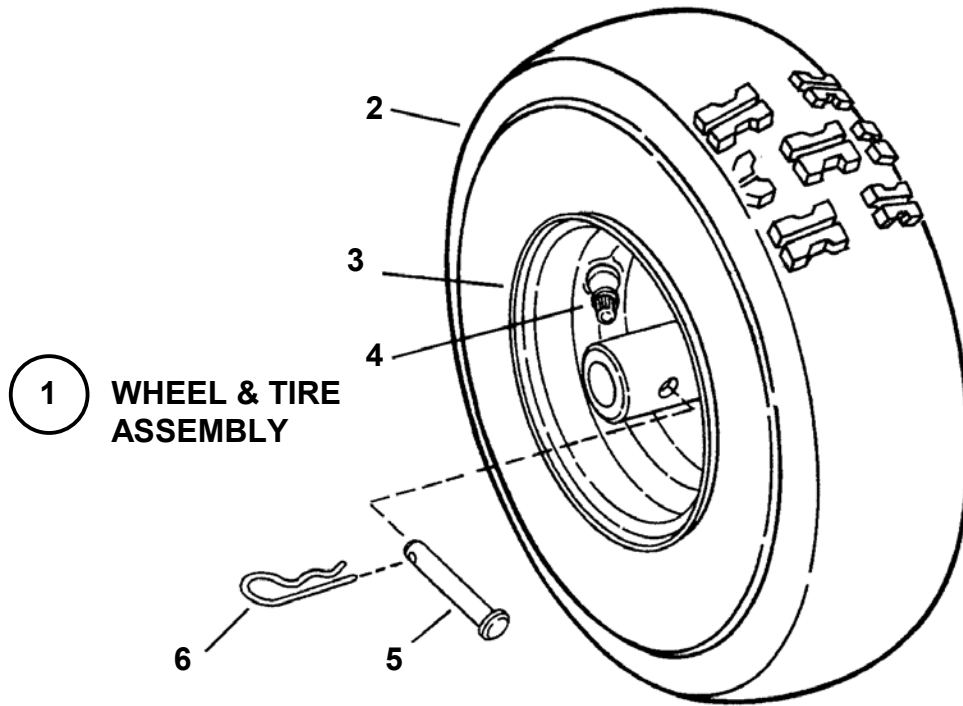


# CHAIN CASE



ITEM	PART NO.	DESCRIPTION
1	5-1570	ASSEMBLY, Chain Case (Includes Items 2 thru 18)
2	5-1569	ASSEMBLY, Cover Sprocket (Includes Items 4 & 17)
3	1-8964	SHAFT & SPROCKET
4	1-5363	BEARING (2)
5	1-5142	SPACER (2)
6	4-0523	HUB & SPROCKET
7	1-5156	CHAIN
8	5-1568	ASSEMBLY, Sprocket Case (Includes Items 4 & 17)
9	1-8748	HUB, Driven Disc
10	1-0927	RING, Driven
11	3-1013	PLATE
12	9-0122	WASHER, 3/8" Flat (2)
13	9-0524	NUT, 3/8-24 Hex Top Lock, Grade C
14	9-0913	SCREW, #10-24 x 1/2" Hex Washer Self-Tap (Torx) (11)
15	1-0776	RING, 1/2" External Retaining (Heavy Duty)
16	2-0908	ROLLER
17	1-5141	BEARING, Ball (2)
18	1-5163	KEY, 3/32 x 1/2" Woodruff

# WHEELS



## (I4223, I5223, I55223, EI55223 & I6223 MODELS)

ITEM	PART NO.	DESCRIPTION
1	5-3415	ASSEMBLY, Wheels & Tire (Snow Hog) (Includes Items 2A, 3A & 4)
--	5-8917*	ASSEMBLY, Wheels & Tire (Kenda) (Includes Items 2B, 3B & 4)
2A	2-3646	TIRE, 4.10 x 3.50 x 6 (2)
2B	7-3454	TIRE, 4.10 x 3.50 x 6 (Kenda) (2)
3A	2-9575	RIM, 6 x 3.25 (2)
3B	2-9575	RIM, 6 x 4 (2)
4	1-2234	VALVE, Snap-In (2)
5	1-2407	PIN, 5/16 x 1-11/16" Clevis (2)
6	1-5067	PIN, 3/32 x 1-1/2" Hair (2)

**\*NOTE:** These wheel assemblies are used on units built in 2000 for model year 2001

### SNOW HOG TIRE CHAIN KIT #6-0926

## (I7243 & EI7243 MODELS)

ITEM	PART NO.	DESCRIPTION
1	5-3448	ASSEMBLY, Wheels & Tire (Snow Hog) (Includes Items 2A, 3A & 4)
--	5-8919*	ASSEMBLY, Wheels & Tire (Kenda) (Includes Items 2B, 3B & 4)
2A	2-8270	TIRE, 13 x 5.00 x 6 (2)
2B	7-3456	TIRE, 13 x 5.00 x 6 (2)
3A	2-8271	RIM, 6 x 4.00 (2)
3B	2-8271	RIM, 6 x 4.00 (2)
4	1-2234	VALVE, Snap-In (2)
5	1-2407	PIN, 5/16 x 1-11/16" Clevis (2)
6	1-5067	PIN, 3/32 x 1-1/2" Hair (2)

**\*NOTE:** These wheel assemblies are used on units built in 2000 for model year 2001

### SNOW HOG TIRE CHAIN KIT #6-1409

## ACCESSORIES

### MODELS I4223, I5223, I52223 & I6223 HARDWARE BAG KIT #6-1364

PART NO.	DESCRIPTION
1-1938	RETAINER
9-1075	SCREW, #10-24 x 5/8" Self-Tapping (2)
1-2659	KNOB, Selector (Ball)
1-5257	BOLT, 1/4-20 x 1-1/2" Shoulder (2)
9-1099	NUT, 1/4-20 Hex Center Lock, Grade B or 5 (2)
2-8194	CABLE, Auger Drive
2-8223	CABLE, Auger/Clutch
9-1138	SCREW, 5/16-18 x 5/8" Hex Cap, Gr. 5
9-1070	NUT, 5/16-18 Hex Fl. Lock, Gr. 5 (5)
2-2332	GRIP, Vinyl
9-0391	WASHER, 5/16 Internal Tooth Lock
9-1067	NUT, 5/16-18 Hex Center Lock, Gr. B
9-1069	NUT, 5/16-18 Hex, Grade B or 5
9-1076	WASHER, 5/16 Flat

### MODELS I7243 & EI7243 HARDWARE BAG KIT #6-1373

PART NO.	DESCRIPTION
1-1938	RETAINER
9-1075	SCREW, #10-24 x 5/8" HWST, Gr. 5 (2)
1-2659	KNOB, Selector (Ball)
1-5257	BOLT, 1/4-20 x 1-1/2" Shoulder (2)
9-1070	NUT, 5/16-18 Hex Fl. Lock, Gr. 5 (4)
9-1082	PIN, 3/32 x 3/4 Cotter (3)
9-0372	NUT, 1/4-20 Hex Center Lock, Grade B or 5 (2)

### DRIFT CUTTER KIT # 6-1099

PART NO.	DESCRIPTION
3-8201	DRIFT-CUTTER
9-0643	SCREW, 1/4-20 x 7/8" Hex Head Cap, Grade 5
9-1099	NUT, 1/4-20 Hex Center Lock, Grade B or 5

### MODELS I55223 & EI55223 HARDWARE BAG KIT #6-3001

PART NO.	DESCRIPTION
1-1938	RETAINER
9-1075	SCREW, #10-24 x 5/8" Self-Tapping (2)
1-2659	KNOB, Selector (Ball)
1-5257	BOLT, 1/4-20 x 1-1/2" Shoulder (2)
9-0372	NUT, 1/4-20 Hex Center Lock, Grade B or 5 (2)
2-8194	CABLE, Auger Drive
2-8223	CABLE, Auger/Clutch
9-1070	NUT, 5/16-18 Hex Fl. Lock, Gr. 5 (4)
9-1082	PIN, 3/32 x 3/4 Cotter (3)
9-1552	WASHER, .219 I.D., .5 O.D. Flat (2)

### ELECTRIC START KIT for TECUMSEH ENGINES

<u>KIT NO.</u>	<u>TYPE</u>	<u>FOR</u>
6-0758	120 VOLT-GEAR	I4223, I5223, I55223 & I6223 Models
6-0783	120 VOLT-GEAR	I7243 & EI7243 Models

# DECALS

**1**

3 LWA  
**100**

**2**

**! DANGER**

**AVOID INJURY FROM ROTATING AUGER. KEEP HANDS, FEET, AND CLOTHING AWAY.**

**3**

CE 29776

**4**

**5**

**! DANGER**

**SHUT OFF ENGINE BEFORE UNCLOGGING DISCHARGE CHUTE**

**6**

**! DANGER !**

**AVOID INJURY FROM ROTATING AUGER. KEEP HANDS, FEET AND CLOTHING AWAY.**

**7**

2000 72820

**8**

← → R

**9**

**! DANGER !**

28700

**10**

**5.5/22** INCH  
HORSEPOWER CLEARING WIDTH  
OVERHEAD VALVE ENGINE  
ELECTRIC START CONVERTIBLE  
**SNAPPER**  
45217

# DECALS (Continued)



11



12



13

15



14



ITEM	PART NO.	DESCRIPTION
1	2-3009	DECAL, Noise
2	2-8280	DECAL, Foot Danger/Blank
3	2-9776	DECAL, European Community (CE)
4	2-8711	DECAL, Foot Danger (Euro)
5	2-4773	DECAL, Hand Danger
6	1-6578	DECAL, Danger (Collector)
7	7-2820	DECAL, 2000 Year of Manufacture
--	7-2404	DECAL, 99 Year of Mfr. (not shown)
--	3-6434	DECAL, 97 Year of Mfr. (not shown)
--	2-9077	DECAL, 96 Year of Mfr. (not shown)
8	2-8282	DECAL, Gear Snow (Direction Control)
9	2-8700	DECAL, Chute/Read Manual (Euro)

ITEM	PART NO.	DESCRIPTION
10	4-5217	DECAL, Control- E5.5/22
11	2-8277	DECAL, Control- 7/24
12	2-8710	DECAL, Control- E5/22
--	2-8251	DECAL, Chute Control- 6/22 (not shown)
--	2-8544	DECAL, Control- 5/22 (not shown)
--	4-5207	DECAL, Control- 5.5/22 (not shown)
--	2-8713	DECAL, Control- E7/24 (not shown)
--	2-8276	DECAL, Control- I4223 (not shown)
13	2-7733	DECAL, Ear Protection
14	7-3342	DECAL, OPEI Snow
15	7-3844	DECAL, Fuel Safety

*Parts Manual for*

# **SNAPPER**<sup>®</sup>

## **TWO-STAGE INTERMEDIATE FRAME SNOW THROWER SERIES 3**

<b>MODELS</b>	
<b>I4223</b>	<b>EI5223</b>
<b>I5223</b>	<b>EI55223</b>
<b>I55223</b>	<b>EI7243</b>
<b>I6223</b>	
<b>I7243</b>	

IT IS THE POLICY OF SNAPPER TO IMPROVE ITS PRODUCTS WHENEVER IT IS POSSIBLE AND PRACTICAL TO DO SO. WE RESERVE THE RIGHT TO MAKE CHANGES OR ADD IMPROVEMENTS AT ANY TIME WITHOUT INCURRING ANY OBLIGATION TO MAKE SUCH CHANGES ON PRODUCTS MANUFACTURED PREVIOUSLY.

**SNAPPER**<sup>®</sup> McDonough, GA., 30253 U.S.A.

COPYRIGHT © 2000  
SNAPPER INC.  
ALL RIGHTS RESERVED

(REV. 5, 7/03/00)

MANUAL No. 06045