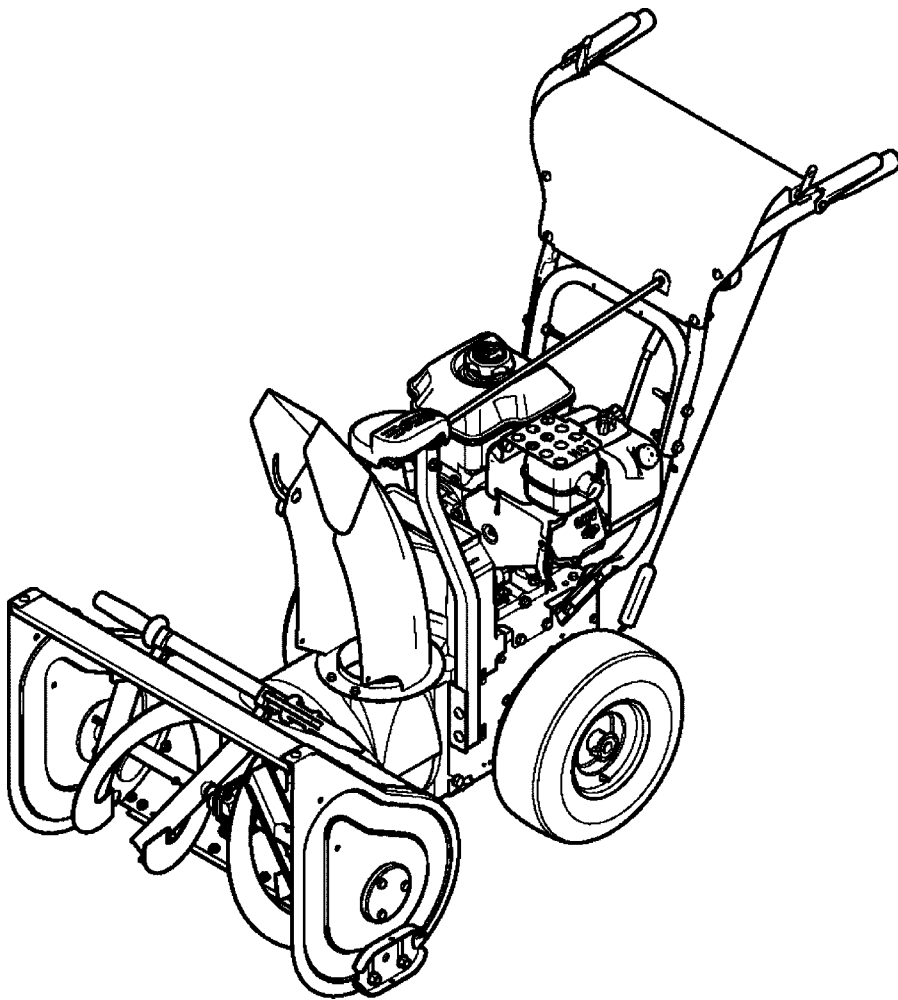


*Parts Manual for*

# **SNAPPER®**

## **TWO STAGE INTERMEDIATE FRAME 24" SNOW THROWERS 2008 MODELS**

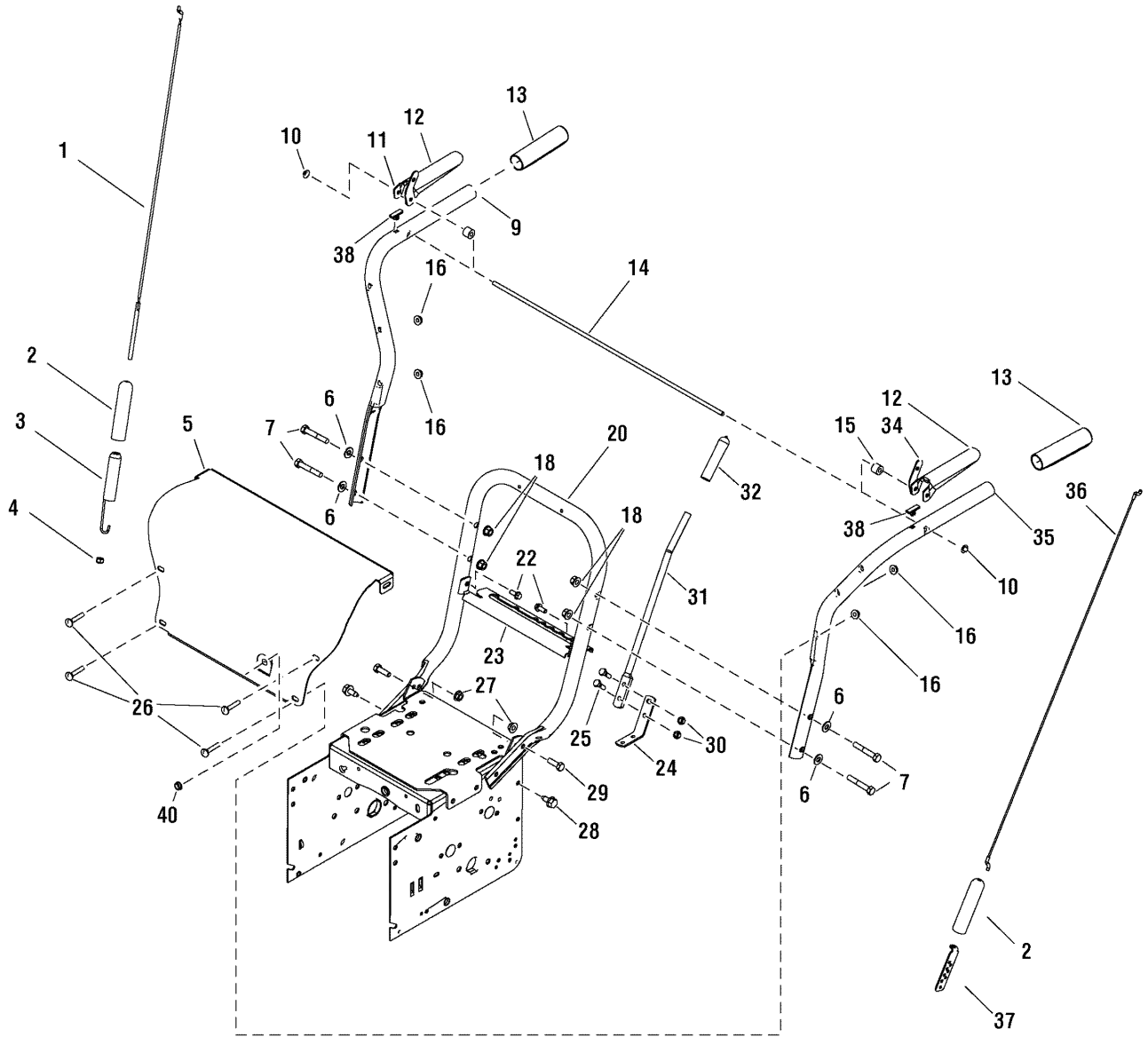


<b>MODEL</b>
924I (1695313)
924IE (1695314)
924IR (1695411)

**SNAPPER®** McDonough, GA, 30253 U.S.A.



<b>PAGE</b>	<b>GROUP</b>
4	Handles & Controls Group
6	Auger Housing & Chute Group
10	Auger Drive Group
12	Engine & Frame Group
16	Traction Drive Group
18	Wheels & Tires Group
20	Decals Group

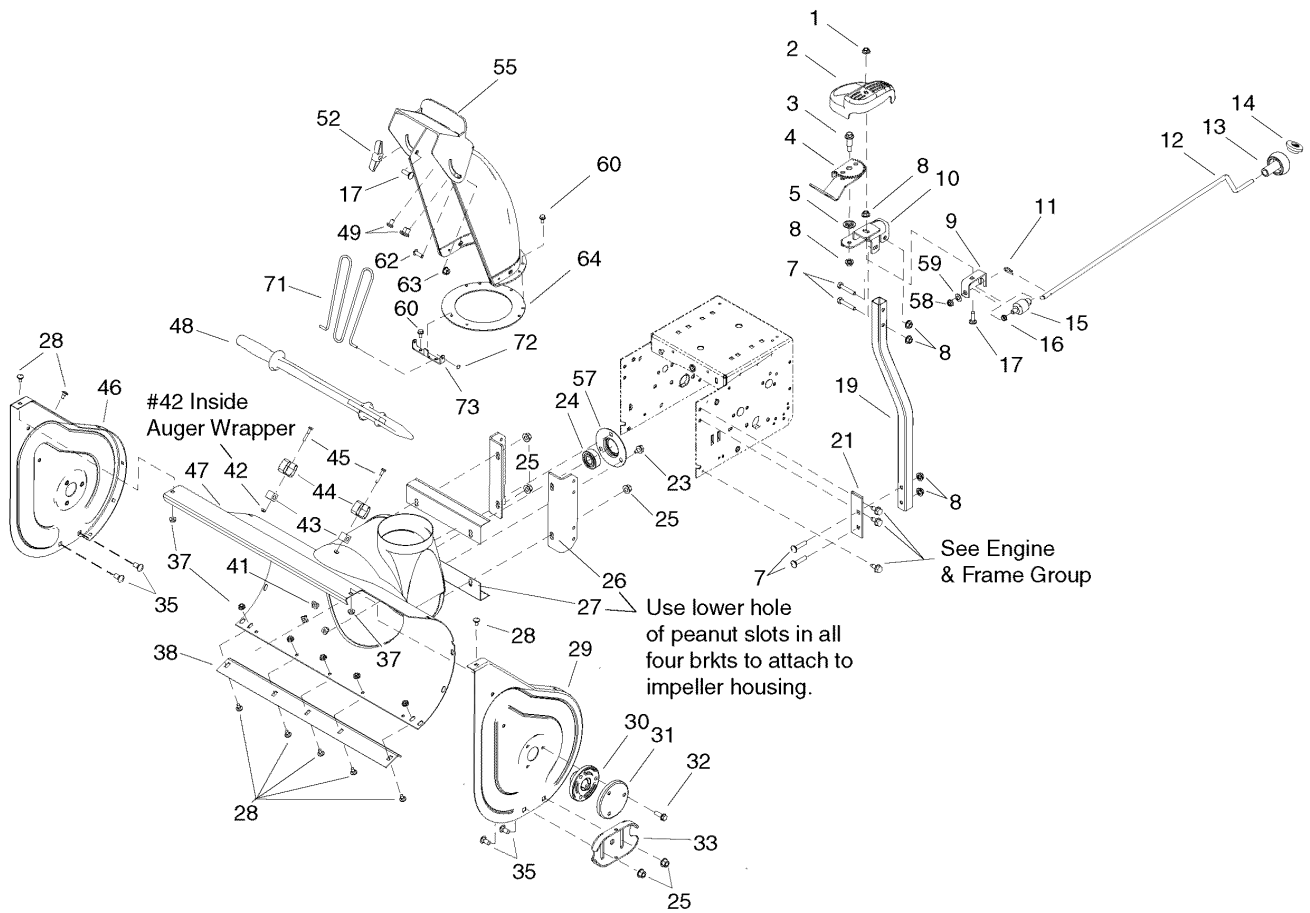


## Handles & Controls Group

Item	Part No	Qty	Description	Note
1	725684	1	CABLE, Auger	
2	723154	2	BOOT, Spring End Cover	
3	722520	1	SPRING, Auger Control	
4	1920397	1	NUT, Hex Lock Esna Light 1/4-20	
5	1734250D	1	PANEL, Dash Upper	
6	1919326	4	WASHER, 5/16	
7	1921978	4	CAPSCREW, Hex Head 5/16-18 x 2 G5	
9	1740573A	1	HANDLE, Upper	
10	1960126	2	NUT, Push Pal 1/4 Diameter Stud Capped	
11	723725A	1	LEVER ASSEMBLY, Clutch R.H.	
12	723705	2	GRIP, Control Lever	
13	723707	2	GRIP, Handle	
14	1734522	1	ROD, 1/4 Diamter 21.81 Large	
15	1734396	2	SPACER	
16	1960694	4	NUT, Hex Flange 1/4-20 Esna	
18	1960686	4	NUT, Hex Flange 5/16-18 Esna	
20	1740701A	1	HANDLE, Lower	
22	1927429	2	SCREW, Hex Washer Head Taptite 1/4-20 x 5/8	
23	1740698A	1	BRACKET, Gear Select	
24	725568	1	LEVER, Spring Shift	
25	1923341	2	CAPSCREW, Hex Head 1/4-20 x 3/4 G5	
26	1960633	4	CARRIAGE BOLT, 1/4-20 x 1-1/2 G5	
27	1935048	2	NUT, Hex Flange 5/16-18 Two-Way Lock	
28	1664847	2	SCREW, Hex Washer Head Taptite 5/16-18 x 3/4	
29	1921333	2	CAPSCREW, Hex Head 5/16-18 x 1 G5	
30	1923358	2	NUT, Hex Centerlock 1/4-20	
31	723688A	1	ROD, Shift No Thread	
32	723604	1	GRIP, Ball End	
34	723723A	1	LEVER ASSEMBLY, Clutch L.H.	
35	1740587A	1	HANDLE, Upper L.H.	
36	722096	1	CABLE, Front Drive	
37	723259	1	BRACKET, Cable Adjusting	
38	723949	2	BUMPER	
40	1667588	1	BUSHING	

### Footnotes:

# Auger Housing & Chute Group

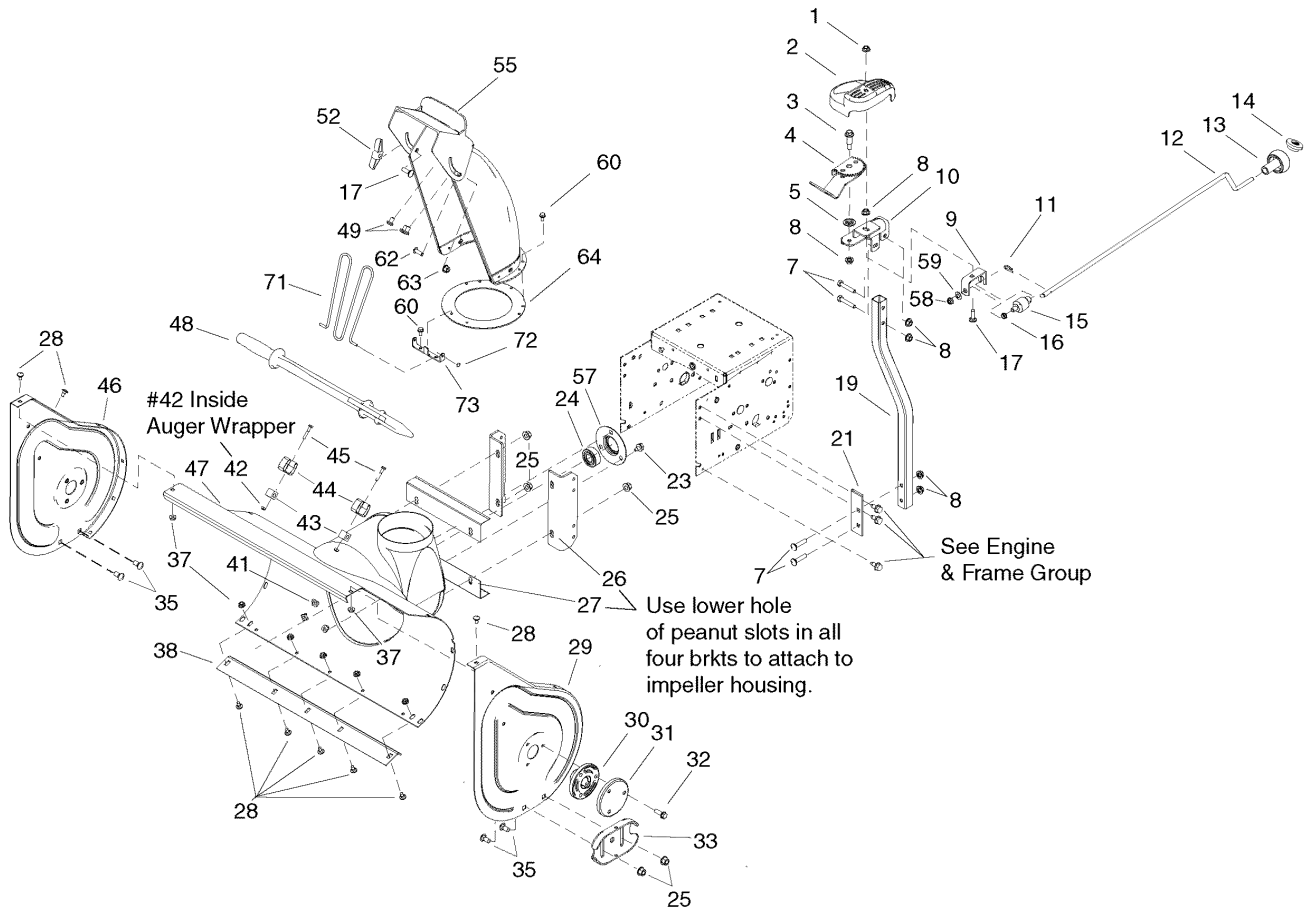


## Auger Housing & Chute Group

Item	Part No	Qty	Description	Note
1	1935048	1	NUT, Hex Flange 5/16-18 Two Way Lock	
2	1734442	1	COVER, Gears	
3	1732412	1	BOLT, Shoulder 5/16-18 G5	
4	1734774	1	GEAR & SUPPORT ASSEMBLY, Chute	
5	1733026	1	WASHER, Powdered Metal	
7	1922127	2	CAPSCREW, Hex Head 5/16-18 x 1-3/4 G5	
8	1960684	6	NUT, Hex KEPS 5/16-18 Conical Washer	
9	1734440	1	SUPPORT, Worm "U" 10GA	
10	1734423A	1	SUPPORT, Gear & Chute 10GA	
11	722139	1	PIN, Hair Chute Gear	
12	1734404	1	ROD, Chute Control E-Coat	
13	1714084	1	KNOB, Spinner	
14	1960093	1	NUT, Push Pal 3/8 Diameter Stud Capped	
15	1734439	1	WORM, Chute L.H.	
16	1667588	1	BUSHING	
17	1931335	2	CARRIAGE BOLT, 5/16-18 x 1 G5	
19	1734201A	1	SUPPORT, Tube 10GA	
21	1931337	2	CARRIAGE BOLT, 5/16-18 x 1-1/2 G5	
23	1931648	3	SCREW, Hex Whiz Lock Flange 5/16-18 x 1/2	
24	2108202	1	BEARING, Ball	
25	1960687	8	NUT, Hex Flange 3/8-16 ESNA	
26	1734055D	2	BRACKET, Housing 12GA	
27	1734063D	2	ANGLE, Fill Strip	
28	1931315	17	CARRIAGE BOLT, 1/4-20 x 1/2 G5	
29	1726458D	1	PLATE, End L.H.	
30	1726457	2	HOUSING, Auger Bearing	
31	1668639A	2	CAP, Bearing	
32	1960373	6	SCREW, Hex Washer Head Taptite 5/16-18 x 1	
33	1727854A	2	SKID, Shoe Reversible	
35	1960711	4	CARRIAGE BOLT, 3/8-16 x 3/4 G5	
37	1930641	17	NUT, Hex Flange 1/4-20 Whiz Lock Large	
38	7300098A	1	BLADE, Scraper 24"	
41	1930659	3	RETAINER, Nut, 5/16-18	
42	1933896	2	NUT, Hex Lock 10-24 w/Nylon Insert	
43	724565	2	BLOCK, Universal Pivot	
44	722242	2	CLIP, Retainer	

### Footnotes:

# Auger Housing & Chute Group



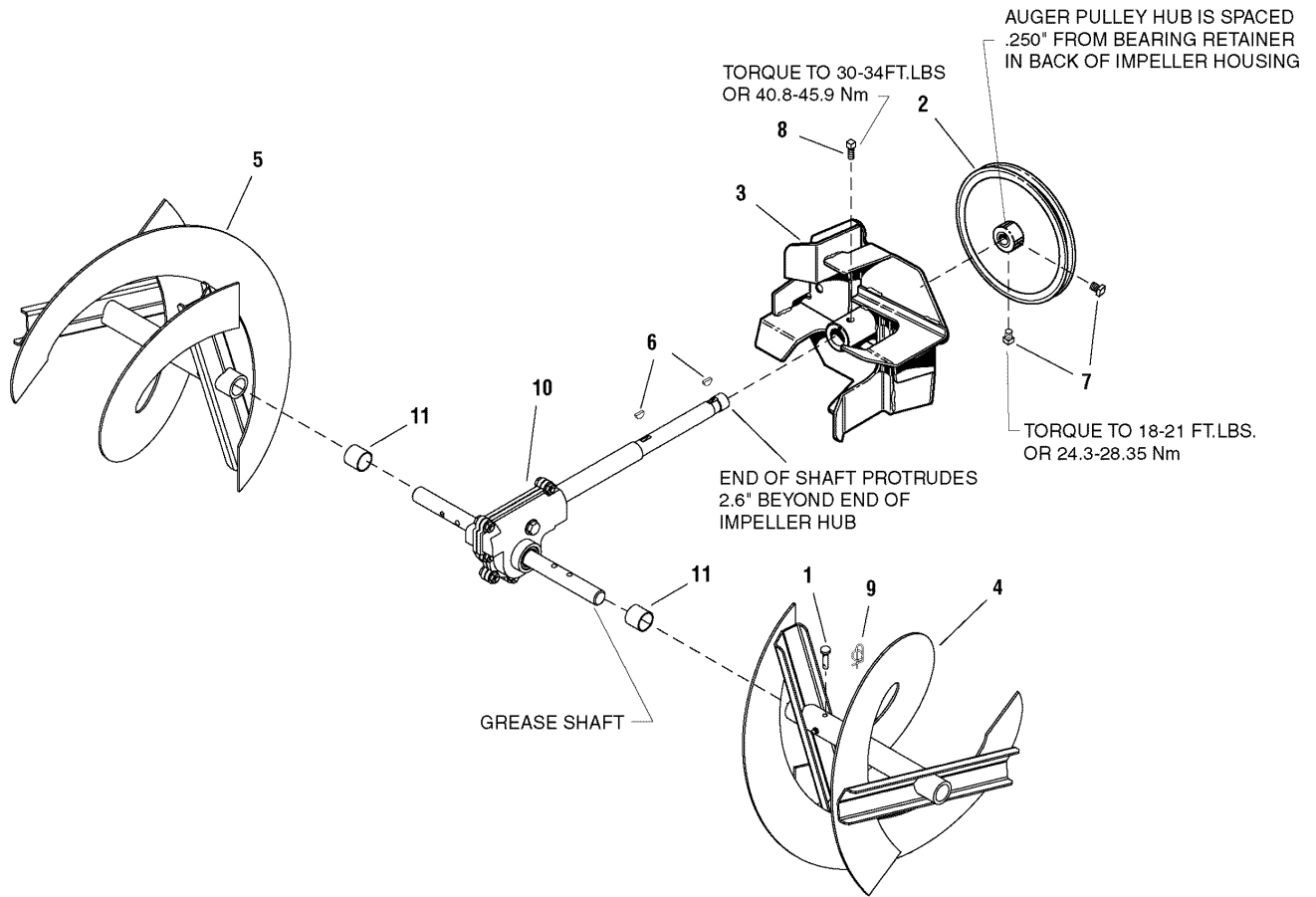


## Auger Housing & Chute Group

Item	Part No	Qty	Description	Note
45	2860604	2	SCREW, Hex Washer Head Slot #10C x 1-1/4 G2	
46	1726459D	1	PLATE, End R.H. 14GA	
47	1734475D	1	WRAPPER ASSEMBLY, 24" Auger	
48	1733209	1	STICK, Cleanout w/Brush	
49	7091542	3	SCREW, Phillips Head Taptite, Torx 5/16C x 1/2	
52	720727	1	WINGNUT, 5/16-18	
55	1734227	1	CHUTE & DEFLECTOR ASSEMBLY	
57	1665982	1	RETAINER, Bearing	
58	1960762	1	NUT, Hex Lock Jam ESNA Lite 3/8-24	
59	1734542	1	WASHER, Cup	
60	1925003	5/7	SCREW, Hex Washer Head Taptite 1/4-20 x 1/2	(Quantity 7 CE/Export)
62	1960756	1	SCREW, Truss Head Torx 5/16-18 x 3/4	
63	1960686	1	NUT, Hex Flange 5/16-18 ESNA	
64	1734215A	1	RING, Chute Base	
71	1733475	1	GUARD, Chute	(CE/Export)
72	1960140	2	NUT, Push	(CE/Export)
73	1733476A	1	BRACKET, Chute Guard 12GA	(CE/Export)

### Footnotes:

# Auger Drive Group



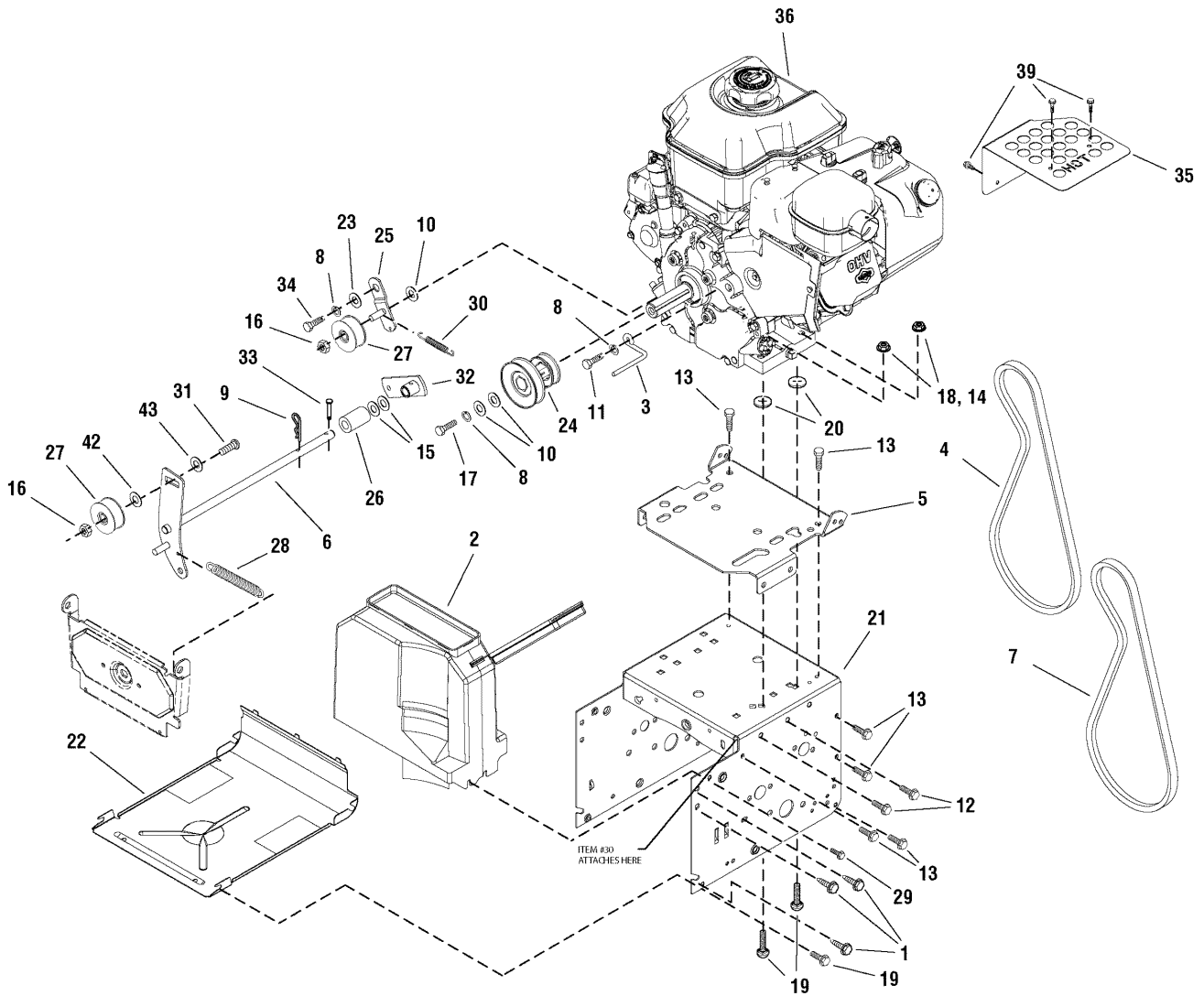
## **Auger Drive Group**

---

<b>Item</b>	<b>Part No</b>	<b>Qty</b>	<b>Description</b>	<b>Note</b>
1	1668344	2	PIN, , Shear	
2	1715091	1	PULLEY, Auger Input	
3	1715120A	1	IMPELLER ASSEMBLY	
4	1726535A	1	AUGER ASSEMBLY, L.H., 22" Housing	
5	1726536A	1	AUGER ASSEMBLY, R.H., 22" Housing	
6	2818312	2	KEY, Woodruff	
7	1928721	2	SCREW, Set Square Head Cup Point 5/16-18 x 1/2 G8	
8	1960474	1	SCREW, Set Square head Cup Point 3/8-16 x 1/2 G8	
9	7023590	2	COTTER PIN, 1/4" Self Locking	
10	1734573	1	GEAR BOX ASSEMBLY, Auger Drive	
11	1734916	2	TUBE	

### **Footnotes:**

# Engine & Frame Group



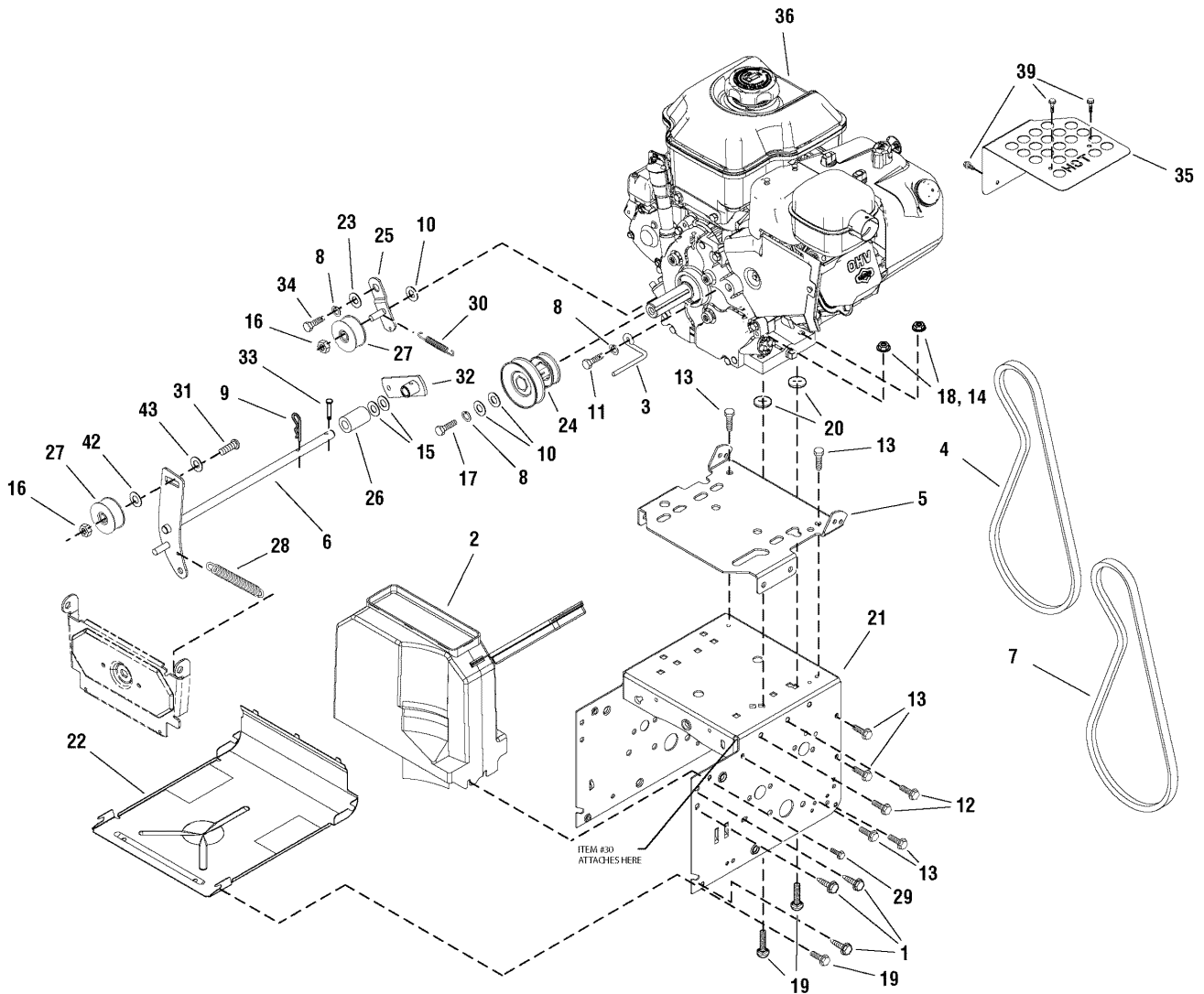
## Engine & Frame Group

Item	Part No	Qty	Description	Note
1	1664847	6	SCREW, Hex Washer Head Taptite, 5/16-18 x 3/4	
2	1732486	1	COVER, Belt w/Toolbox	
3	1733014	1	STOP, Belt	
4	1733324	1	V-BELT, 3L 33.13	
5	1733583D	1	PLATE, Engine Mount	
6	1734311	1	WELD, Auger Idler	
7	1734313	1	V-BELT, 4L 37.00 Auger	
8	1917356	3	LOCKWASHER, Spring 5/16	
9	725367	1	PIN, Hair	
10	1919381	3	WASHER, 5/16	
11	1921515	1	CAPSCREW, Hex Head 5/16-24 x 3/4 G5	
12	1924856	4	SCREW, Hex Washer Head Taptite 5/16-18 x 1/2	
13	1927429	12	SCREW, Hex Washer Head Taptite 1/4-20 x 5/8	
14	2831277	1	NUT, Hex Flange 5/16-18 Whiz Lock	
15	1960027	2	WASHER, 1/2	
16	1960251	2	NUT, Hex Centerlock Jaam 3/8-16	
17	1921982	1	CAPSCREW, Hex Head 5/16-24 x 1-1/4 G5	
18	1960686	3	NUT, Hex Flange 5/16-18 Esna	
19	720064	4	CARRIAGE BOLT, 5/16-18 x 1-1/2	
20	720376	4	NUT, Push for 1/4 Diameter Thread	
21	1740572D	1	FRAME BOX	
22	1740906A	1	PANEL, Bottom	
23	722072	1	BUSHING, Idler Bracket	
24	722085	1	PULLEY, Engine Snow 2Stage	
25	722090	1	SPOT WELD, Idler Bracket	
26	722365	1	SPACER,-0.53 ID 1.00 OD 1.61 LG AUG IDLER	
27	722378	2	IDLER, Plastic Ball Bearing	
28	722455	1	SPRING, Extension Auger Idler	
29	722887	2	SCREW, 1/4-AB x 3/4 Hex w/Extension Tooth Washer	
30	724418	1	SPRING, Extension Idler	
31	1921969	1	CAPSCREW, Hex Head 3/8-16 x 1-1/2 G5	
32	1733451	1	ARM, Control	
33	1735135	1	PIN, Clevis	
34	725996	1	BOLT, Hex 5/16-24 x 1	
35	1734732	1	HEAT SHIELD, 16GA	<i>(Used only on Domestic Models)</i>
36	--	1	*ENGINE, 9.0TP B&S Mod. #12D1140118-E1	
36	--	1	*ENGINE, 9.0TP B&S Mod. #12D1140119-E1	<i>(CE/Export)</i>

### Footnotes:

Note: \* See your local Briggs & Stratton distributor for parts & service.

# Engine & Frame Group



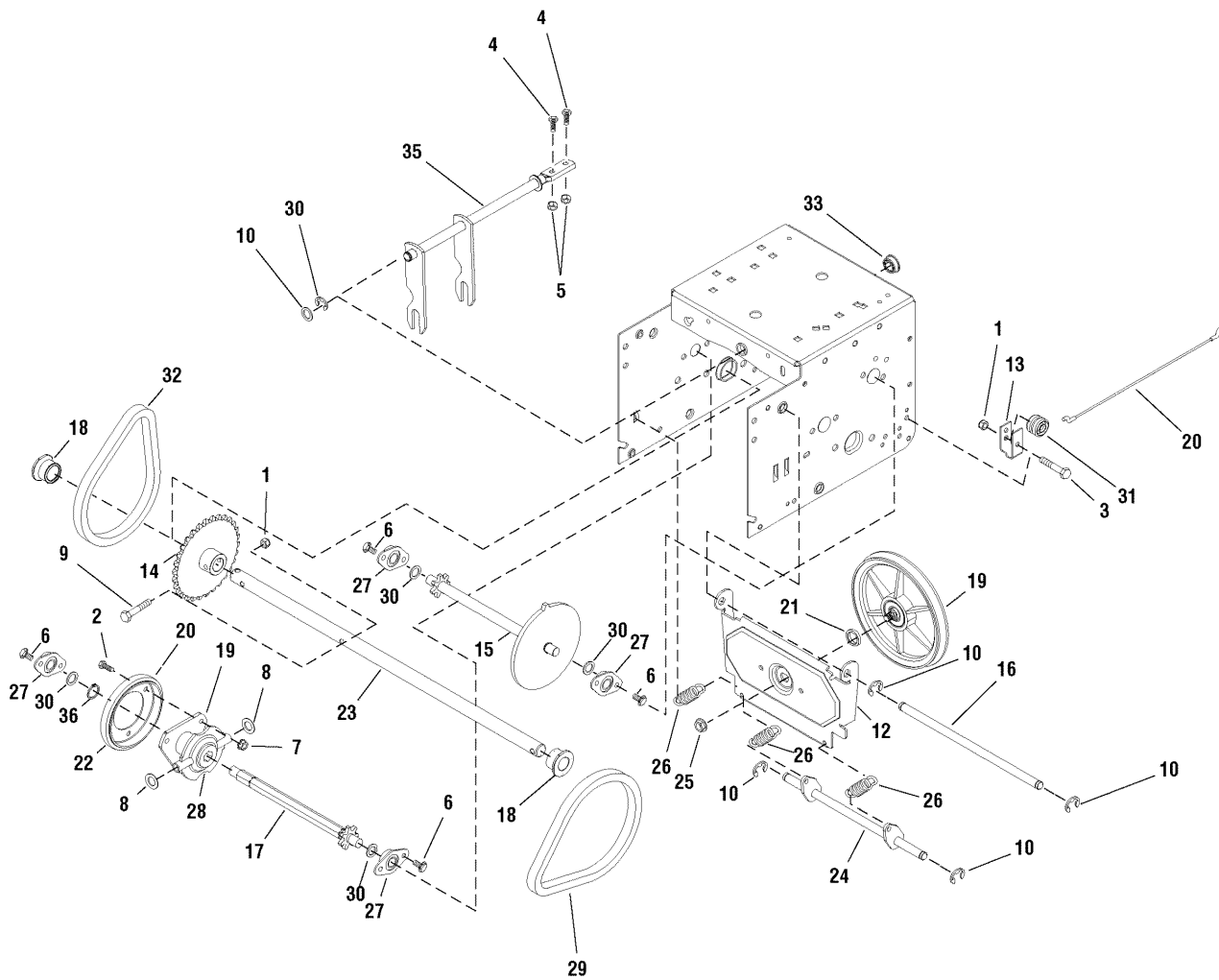
## Engine & Frame Group

---

<b>Item</b>	<b>Part No</b>	<b>Qty</b>	<b>Description</b>	<b>Note</b>
36	--	1	*ENGINE, 9.0TP B&S Mod. #12D1160120-E1	<i>(CE/Export)</i>
39	1929477	3	SCREW, Hex Washer Head Taptite	<i>(Used only on Domestic Models)</i>
40	1724064	1	CORD, Electric Extension 10FT	<i>(Used only on Domestic Models)</i>
41	2825094	1	TIE, Self Locking	
42	1922755	1	WASHER, 3/8	
43	1924940	1	WASHER, 3/8	

### Footnotes:

Note: \* See your local Briggs & Stratton distributor for parts & service.

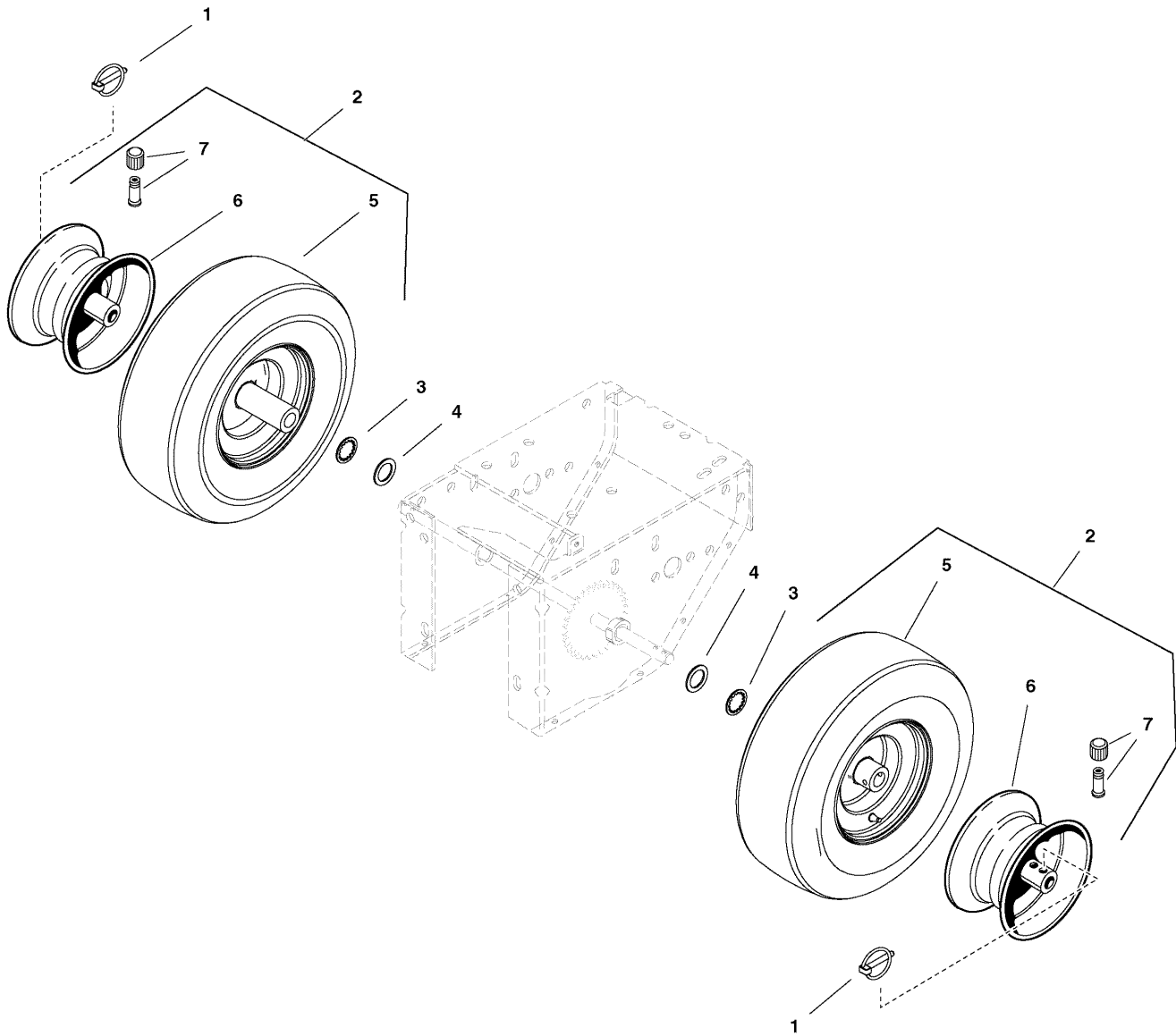




## Traction Drive Group

Item	Part No	Qty	Description	Note
1	1920397	2	NUT, Hex Lock Esna Light 1/4-20	
2	1921959	3	CAPSCREW, Hex Head 1/4-20 x 5/8 G5	
3	1922837	1	CAPSCREW, Hex Head 1/4-20 x 1-1/2 G5	
4	1923341	2	CAPSCREW, Hex Head 1/4-20 x 3/4 G5	
5	1923358	2	NUT, Hex Centerlock 1/4-20	
6	1924856	8	SCREW, Hex Washer Head Taptite 5/16-18 x 1/2	
7	1928372	3	NUT, Hex Keps 1/4-20	
8	1960027	2	WASHER, 1/2	
9	720220	1	BOLT, Hex 1/4-20 x 1-3/4 G8	
10	721910	5	RETAINER, Ring 7/16	
12	722069	1	PLATE, Swinging	
13	722070	1	BRACKET, Cable Spool	
14	722080	1	WELD, Axle Sprocket	
15	722081	1	SPROCKET, Set	
16	722082	1	AXLE, Swing Plate	
17	722083	1	HEX SHAFT & SPROCKET ASSEMBLY	
18	722091	2	BEARING, Axle D-Hole	
19	722092	1	FRICITION PULLEY ASSEMBLY	
20	722095	1	CABLE, Front Drive	
21	722110	1	SPACER, Friction Pulley	
22	722185	1	WHEEL, Friction	
23	722209	1	AXLE	
24	722377	1	WELD, Spring Link	
25	722391	1	NUT, 38-24 FlangeLock	
26	722423	3	SPRING, Extension	
27	723655	4	RETAINER & BUSHING ASSEMBLY	
28	723694	1	HUB, Friction Wheel & Bearing	
29	724613	1	CHAIN, Roller	
30	724619	5	WASHER, Flat	
31	724621	1	SPOOL CABLE, Auger Control	
32	724627	1	CHAIN, Roller	
33	724636	1	BEARING, Flange 1/2 x 7/8	
35	722078	1	WELD, Speed Select	
36	1733326	1	RING, Retaining Extension	

### Footnotes:

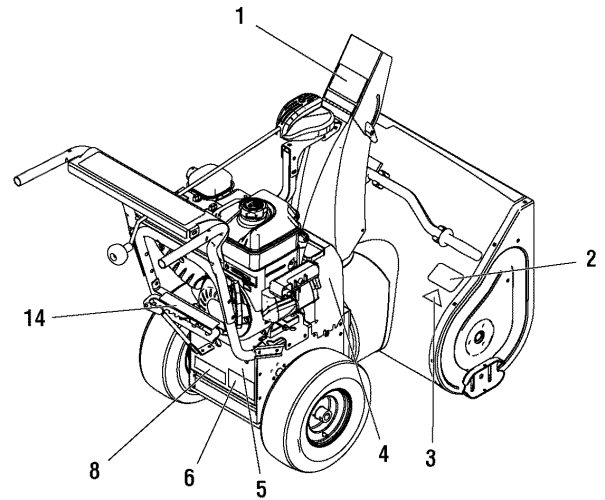
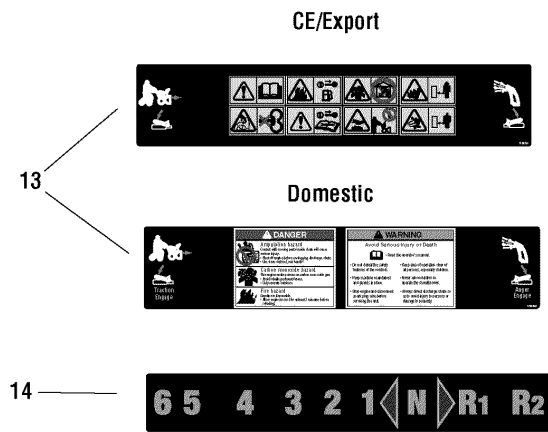
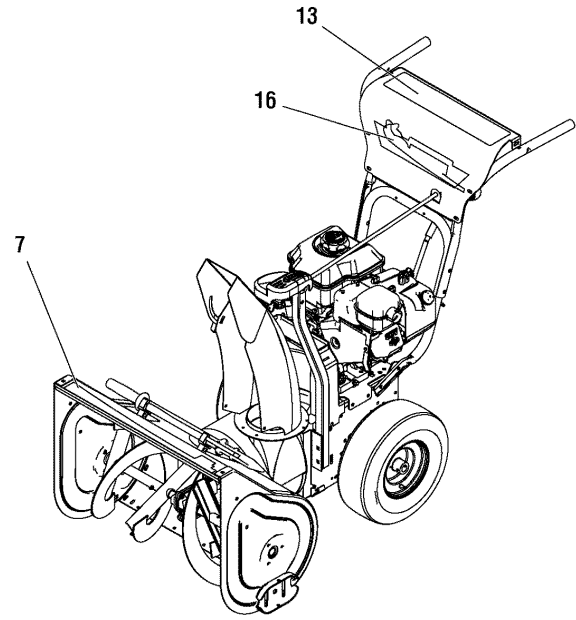
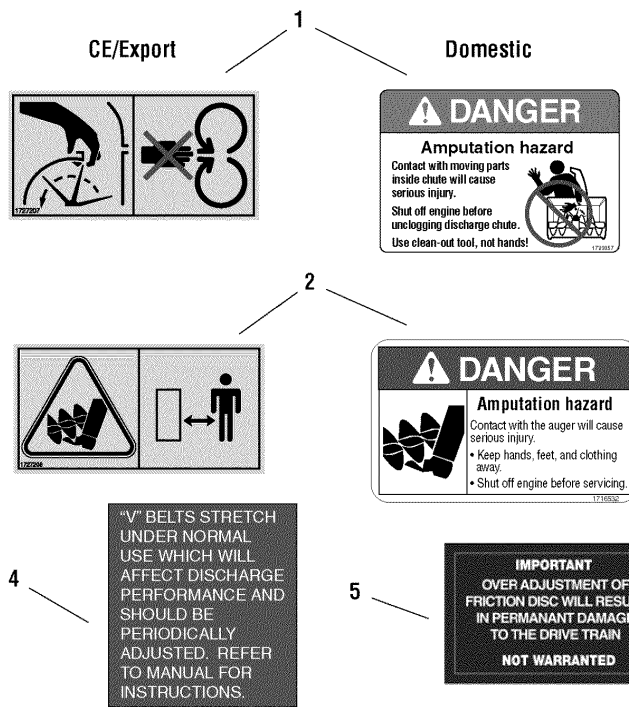


## **Wheels & Tires Group**

---

<b>Item</b>	<b>Part No</b>	<b>Qty</b>	<b>Description</b>	<b>Note</b>
1	1679697	2	PIN, Klik	
2	1734045	2	WHEEL& TIRE ASSEMBLY, 13 x 5	
3	1657528	2	RETAINING RING, Extension, #75 3/4 Self Lock	
4	725394	2	WASHER, Flat	
5	1734997	2	WHEEL 3.25 Wide 6.00 Diameter	
6	1734998	2	TIRE, 13 x 6.00 Snow Hog	
7	2172353	2	VALVE STEM & CAP, Air	

**Footnotes:**



## Decals Group

---

Item	Part No	Qty	Description	Note
1	1727207	1	DECAL, Chute Warning	(CE/Export)
1	1733057	1	DECAL, Danger Amputation Hazard	
2	1727208	1	DECAL, Impeller Warning	(CE/Export)
2	1716532	1	DECAL, Danger Avoid Injury, Auger	
3	--	1	*DECAL, OPEI	
4	725432	1	DECAL, Belt Stretch and Adjustment	(Domestic Models Only)
5	728183	1	DECAL, Over Adjust of Friction Disc	(Domestic Models Only)
6	--	1	*STICKER, Serial w/Bar Code	
7	1735121	1	DECAL, Snapper 924IE	(CE/Export)
7	1735122	1	DECAL, Snapper 924IR	(CE/Export)
7	1734584	1	DECAL, Snapper 924I	
8	1720454	1	DECAL, Touch Up Paint	
13	1734591	1	DECAL, Dash	(CE/Export)
13	1734499	1	DECAL, Dash	
14	1735229	1	DECAL, Speed Control	
16	1735114	1	DECAL, Snapper w/Icon	

### Footnotes:

Note\* Not a serviceable part





*Parts Manual for*

# **SNAPPER®**

## **TWO STAGE INTERMEDIATE FRAME 24" SNOW THROWERS 2008 MODELS**

IT IS THE POLICY OF BRIGGS & STRATTON CORP TO IMPROVE ITS PRODUCTS WHENEVER IT IS POSSIBLE AND PRACTICAL TO DO SO. WE RESERVE THE RIGHT TO MAKE CHANGES OR ADD IMPROVEMENTS AT ANY TIME WITHOUT INCURRING ANY OBLIGATION TO MAKE SUCH CHANGES ON PRODUCTS

**SNAPPER®** McDonough, GA, 30253 U.S.A.