

INSTALLATION INSTRUCTIONS

SNOWTHROWER HEADLIGHT KIT
MFG. NO. 1691827

Section A. General

This kit provides an add-on light and required alternator for compact and large frame snowthrowers with Tecumseh engines. Kit can be installed on snowthrowers that are equipped with cabs (hard or soft). See the appropriate section for installation instructions:

Section	Snowthrower	Application
Section C.	Compact	No Cab/Soft Cab
Section D.	Large-Frame	No Cab/Soft Cab
Section E.	Large-Frame	Hard Cab

Section B. Kit Parts

ITEM	DESCRIPTION	P/N	QTY.
A.	Alternator	1704646	1
B.	Self-Tapping Screw, 1-11/4"	1704652	3
	Self-Tapping Screw, 1-1/8"***	1704663	3
C.	AC Ughting Connector	1704647	1
D.	Spacer	1704646	1
E.	Centering Tube	1704649	1
F.	Alternator Shaft, 3"	1704641	1
	Alternator Shaft, 3-1/2"	1704642	1
G.	Headlight Assy.	1704644	1
H.	Plastic Tie*	925094	2
I.	Clip	930222	1

*5 HP Models

**7, 6, 10 HP Models

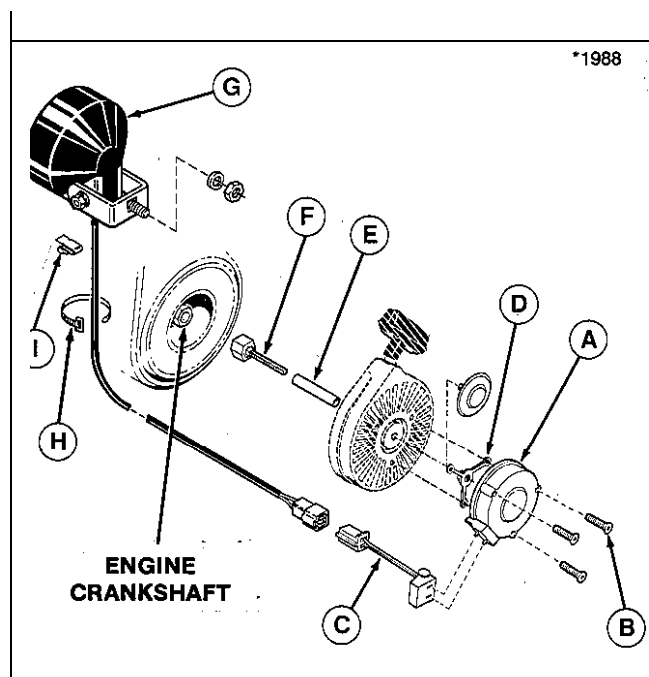


Figure 1.

Section C. Compact Snowthrower With Soft Cab/ Without Cab.

1. Drill a 13/32" hole, 5/8" from bottom and centered (approx. 6-1/2" from either end) on the crossmember as shown in figure 2.

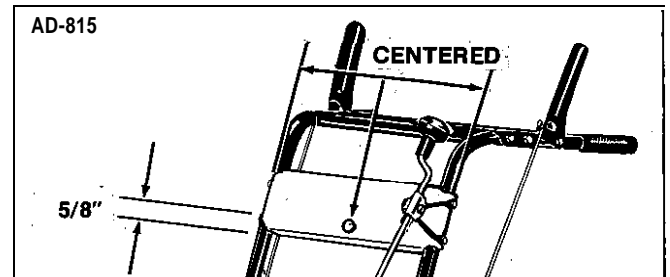


Figure 2.

2. Install light with capscrew, lockwasher, and nut (lockwasher and nut towards rear).
3. Install alternator as provided in the Tecumseh Installation Instructions. Use the appropriate alternator shaft (F, figure 1) and self-tapping screws (B).
4. Install clip and plastic ties as shown in figure 3. This will prevent wire harness from interfering with recoil starter.

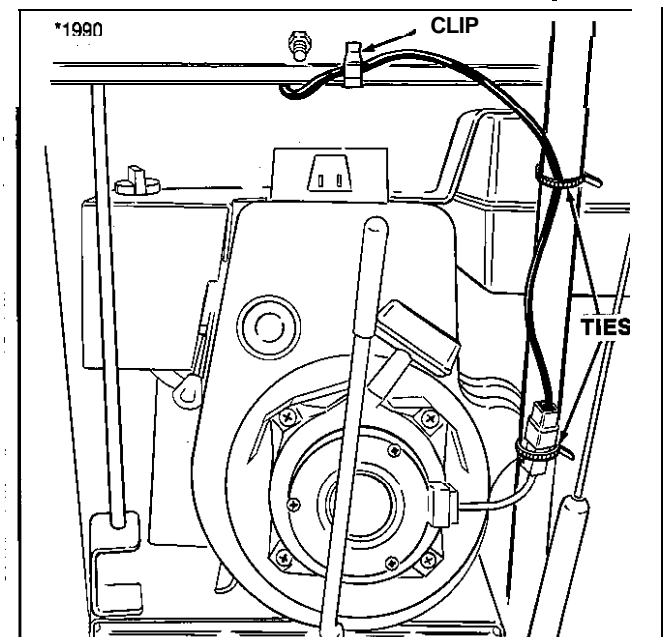


Figure 3.

Section D. Large Frame Snowthrower With Soft-Cab/ No Cab.

1. Drill $13/32$ " hole in right-hand side channel, 3" below auger drive handle and centered (approx. $1-3/4$ "), as shown in figure 4.

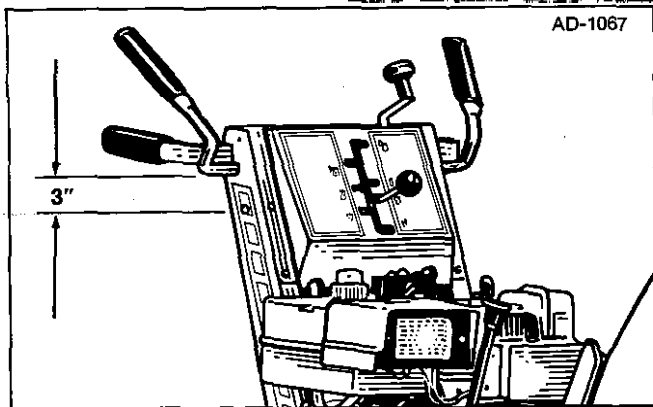


Figure 4.

2. Install light with capscrew, lockwasher, and nut (nut on inside).
3. Install alternator as provided in the Tecumseh Installation Instructions. Make sure alternator is installed with wire harness plug at the 3:00 position. Use the appropriate alternator shaft (F, figure 1) and self-tapping screws (B).
4. Install clip on upright as shown in figure 5 to prevent wire from interfering with recoil starter. Plastic ties provided with kit will not be used.
5. If soft cab is used, tuck the right-hand side of cab around the light bracket

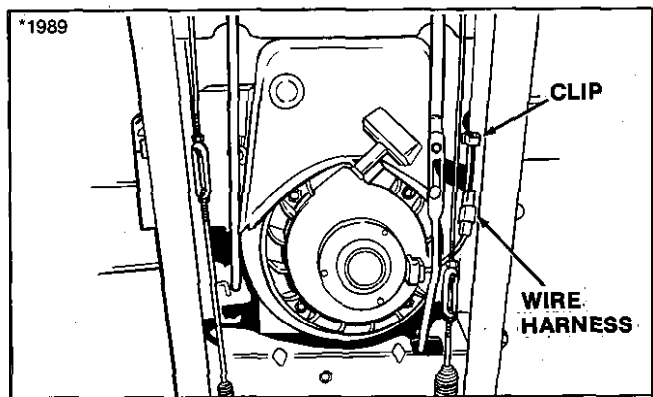


Figure 5.

Section E. Large Frame Snowthrower With Hard Cab.

NOTE

Hard cab should be installed first before installing light kit.

1. Drill $13/32$ " hole in the right hand side of the cab frame, approx. $3/4$ " down and $1-1/2$ " from capscrew, as shown in figure 6.
2. Install light through cab frame with capscrew, lockwasher, and nut (nut on inside).
3. Install clip on upright as shown in figure 5. Plastic ties provided with the kit will not be used.

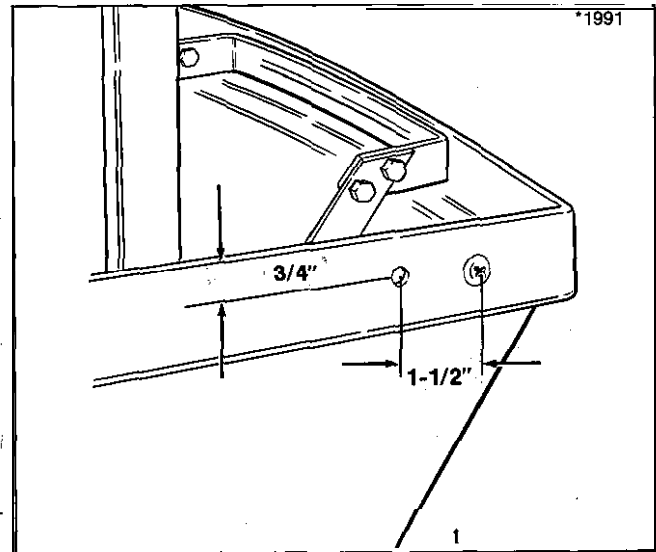


Figure 6.