

FILE COPY

INSTALLATION INSTRUCTIONS

THE "PROTECTOR" SNOW CAB
MFG. NO. 1690681



WARNING

Stop the engine and disconnect the spark plug wire before installing the snow cab or making any adjustments.

TOOLS REQUIRED

7/16" wrench or socket (another wrench will be needed to hold nut while tightening screw).

1/2" wrench or socket.

"Phillips" screwdriver.

PREPARATION

Take an inventory of the parts by referring to figure 1.

Read the installation instructions before beginning the actual work to familiarize yourself with the general procedure. When you are installing the snow cab, read each numbered instruction completely before performing the instruction. The terms "left" and "right" are as seen from the operating position.

Remove the paper backing from the panels by starting at a corner and peeling down, be careful not to scratch the panels. To prevent possible damage, it would be a good idea to peel the backing off just before installing each panel.

NOTE

Install of the screws from the outside, so that the nuts are inside the cab.

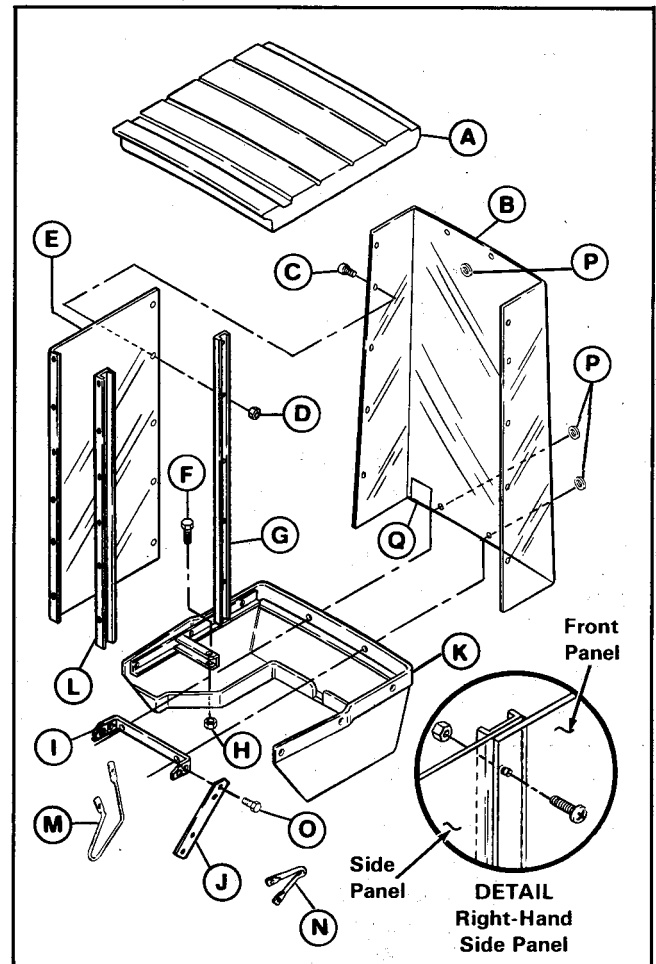


Figure 1

PART NUMBER	QTY.
A. Top Cover	1
B. Front Panel	1
C. Screw, 1/4 x 3/4, Phillips, Trusshead	33
D. Nut, 1/4	37
E. Side Panel	2
F. Screw, 5/16 x 1-3/4	2
G. Panel Support Bracket	2
H. Nut, 5/16	2
I. Front Support Bracket	1
J. Side Support	2
K. Lower Cover	1
L. Rear Support	2
M. Skid Bracket	2
N. Rope Guide	1
O. Hexhead Capscrew, 1/4 x 3/4	4
P. Washer, 1/4	3
Q. Decal, Cleaning Instructions (Apply to inside surface)	1

1. To install the left-hand skid bracket (A, figure 2), first remove two handle support capscrews (B), lockwashers and nuts. Use this hardware to attach the skid bracket to the inside of the handle support bracket as shown in figure 2 and 3.

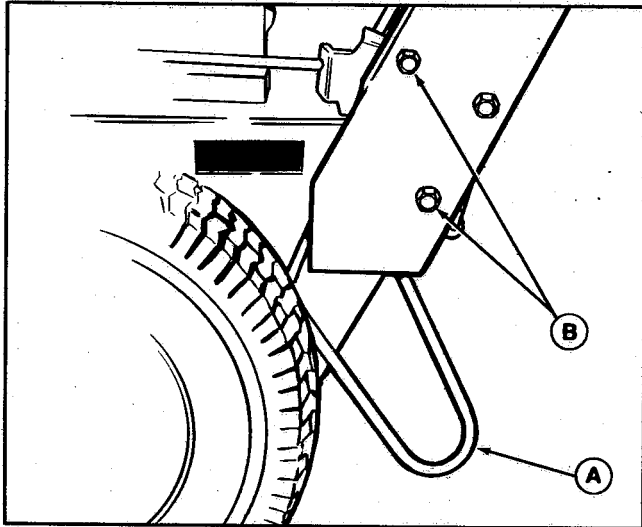


Figure 2
A. Skid Bracket
B. Capscrew

2. Install the other skid bracket on the right-hand side, using the same procedure.

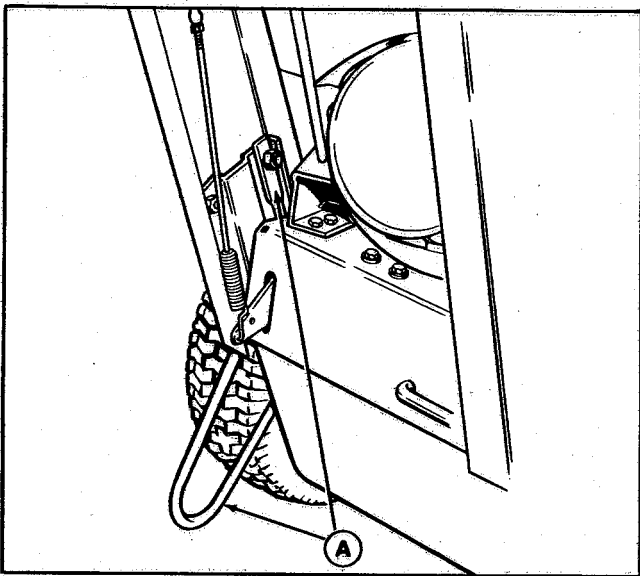


Figure 3
A. Skid Bracket

3. Install the right-hand side support and the rope guide as shown in figure 4 with two screws and 1/4" nuts. (Slip the rope handle in the rope guide before installing the screws).
4. Install the left-hand side support onto the left handle using holes corresponding to right-hand installation.

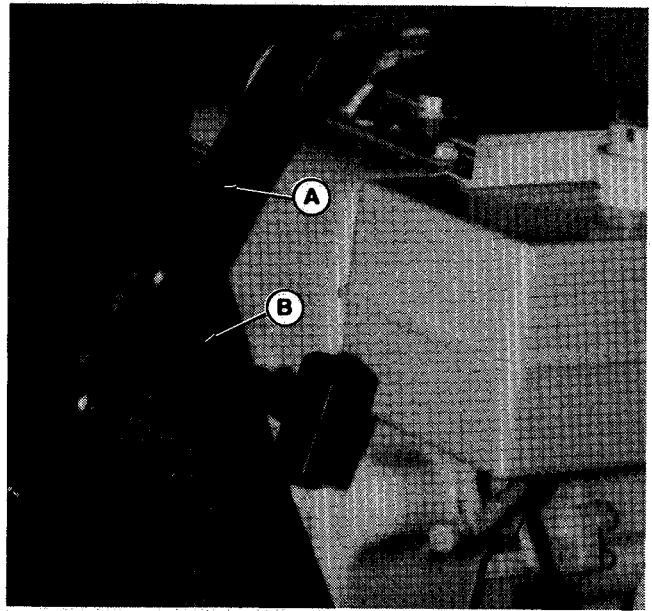


Figure 4
A. Side Support
B. Rope Guide

NOTE

From this point on, tighten the screws and nuts snug only to allow for repositioning. All of the screws and nuts will be tightened after the snow cab is assembled.

5. Attach the front support bracket (I, figure 1) to the side supports (J) using two hex head capscrews (O) and nuts (D) on each side.
6. Install the panel support brackets as shown in figure 5. To install, slide the brackets onto the handles as far as they will go and then install the 1-3/4" long screws (B) and 5/16" nuts (C). (Figure 5 also shows the lower cover installed).

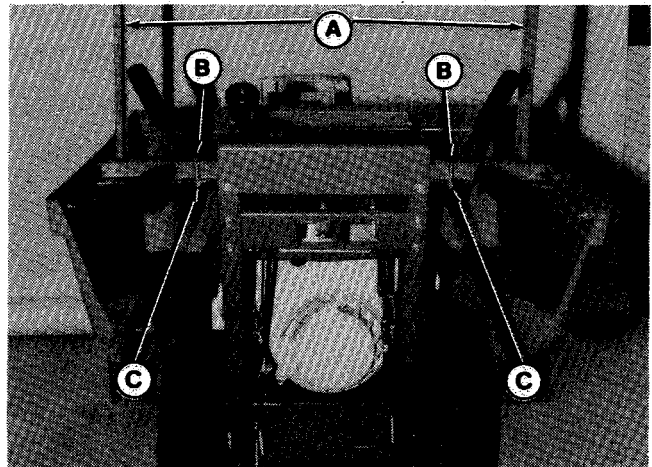


Figure 5
A. Panel Support Brackets
B. Screws
C. Nuts

- Position the lower cover (B, figure 6), aligning the three holes in each side with the holes in the panel support brackets. Insert two screws (A) in the rear holes on each side to hold the lower cover in place as shown in figure 6. Install nuts on ends of the screws to hold in place.

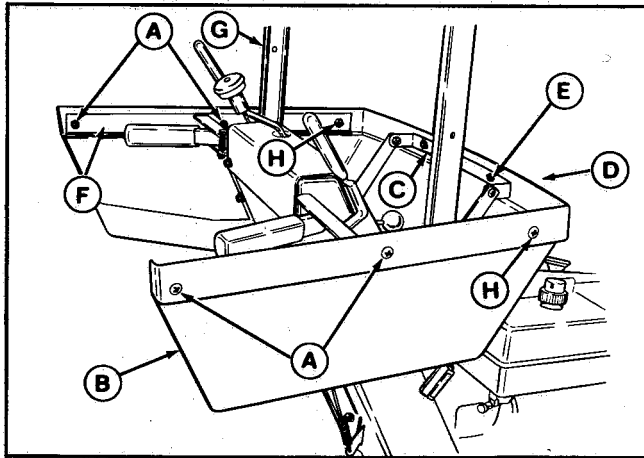


Figure 6

- | | |
|---------------------------------|---------------------------------|
| A. Screws | E. Nuts |
| B. Lower Cover | F. Panel Support Bracket |
| C. Front Support Bracket | G. Vertical Member |
| D. Screws | H. Screws |

- Position the front panel (windshield) inserting front portion between lower cover and front support bracket (C) and inserting side portions between lower cover and panel support brackets.

Place the two 1/4" washers and two screws. Insert the two screws (D) thru the lower cover, panel and front support bracket (reposition support bracket if necessary). Install nuts (E) on the screws.

- Install screws (H) thru lower cover, panel, and panel support bracket on each side. Secure with nuts.
 - Remove the two screws (A) from the left-hand side. (These screws were installed in step 7).
 - Slide the left-hand side into position between the lower cover (B) and panel support bracket (F). The side panel will overlap with the front panel at the vertical member (G). Be sure to insert the side panel inside the front panel (inside is toward the operator).
- Align the holes in the panels and vertical member. Install four screws and nuts to attach the side panels to the vertical member (do not install screw in top hole yet). Reinstall the two screws (A).
- Install the right-hand side panel with the same method used in steps 10 and 11 to install left-hand panel.

INSTALLATION PROCEDURE CONTINUED ON NEXT PAGE

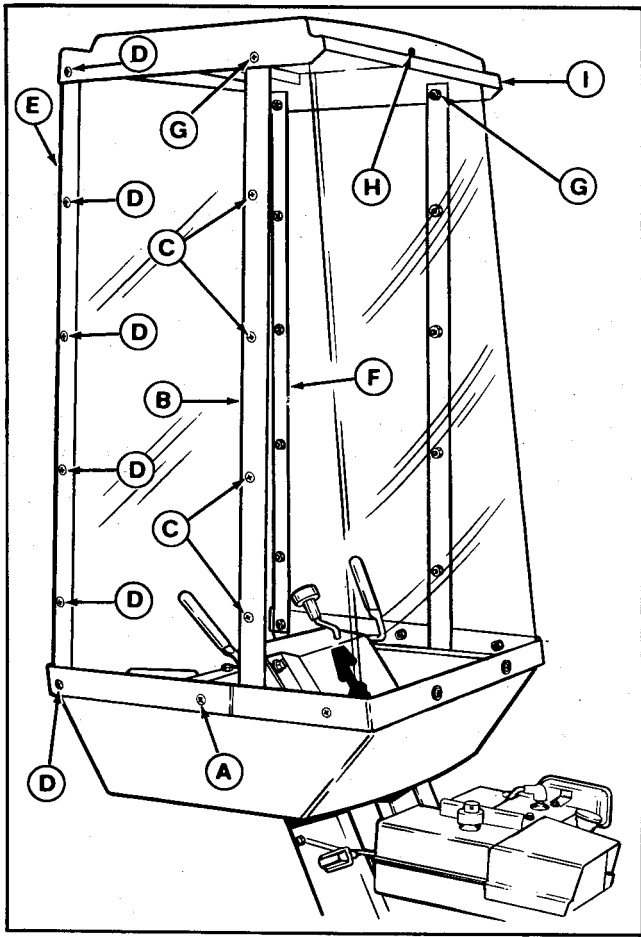


Figure 7

- | | |
|---------------------------|------------------------|
| A. Screws | F. Rear Support |
| B. Vertical Member | G. Screws |
| C. Screws | H. Screw |
| D. Screws | I. Top Cover |
| E. Rear Support | |

13. Place the top cover (I, figure 7) on the panels.
14. Install the two top screws (G) and nuts.
15. Position one of the rear supports (E, figure 9) as shown. Install the six screws (D) and nuts.
Install the other rear support (F) using the same method.
16. Install the front screw (H) and nut.

NOTE

To tighten the fasteners, it will be necessary to have someone hold a screw or nut while you tighten its mate, in some instances.

17. Tighten all of the screws and nuts in the following order:
Tighten the screws while go thru the lower cover; start at the front and work back to the rear.
Tighten the screws in the vertical supports. Start at the bottom and work up to the top.
Tighten the screws which secure the top cover.
Tighten the five screws in the rear supports.
Tighten the two screws and nust which old the panel support brackets to the handle. Tighten securely, but not enough to bend the metal.
Make sure all screws are tightened.
18. Install the cleaning instruction decal (Q, figure 1) to the inside surface so it is readable from operator's position. Align the bottom of the decal with the bottom of the front panel on left-hand side as shown.