

Parts Manual for
SNAPPER®

**TWO STAGE LARGE FRAME
SNOW THROWER
(2006) SERIES 7**



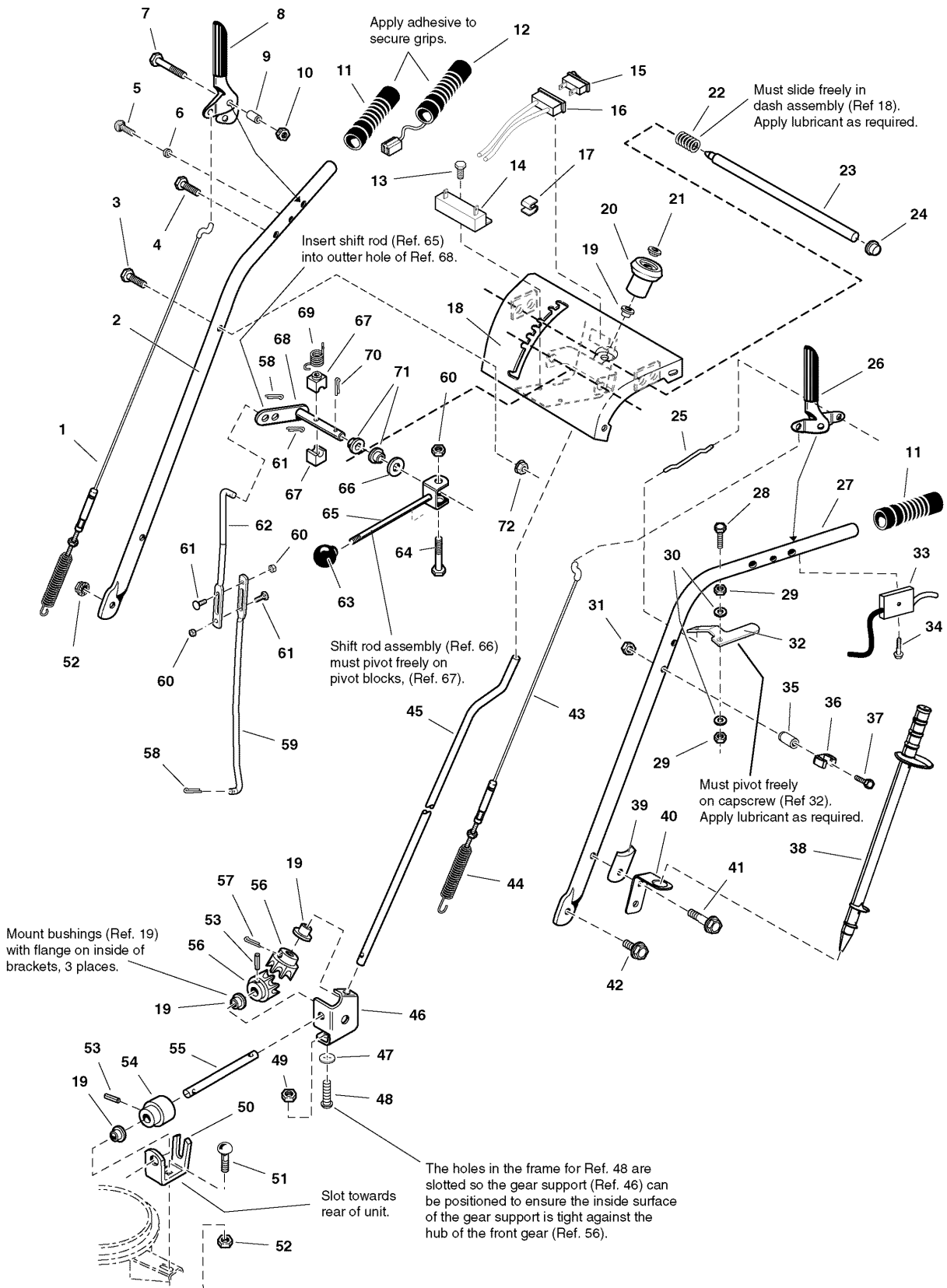
MODEL

**95247E (1694853)
105287E (1694855)
115327E (1694857)
13387E (1694859)
E95247 (1694854)
E105287 (1694856)
E115327 (1694858)
E13387 (1694860)**

SNAPPER® McDonough, GA, 30253 U.S.A.

PAGE	GROUP
4	Handles and Controls Group
8	Auger Housing and Chute Group - 24, 28 & 32 inch
12	Auger Housing and Chute Group - 38 inch
16	Auger and Impeller Group
20	Engine and Frame Group
24	Traction Drive Group
28	Wheel & Tires Group
30	Decals Group
32	Headlight Group

Handles and Controls Group

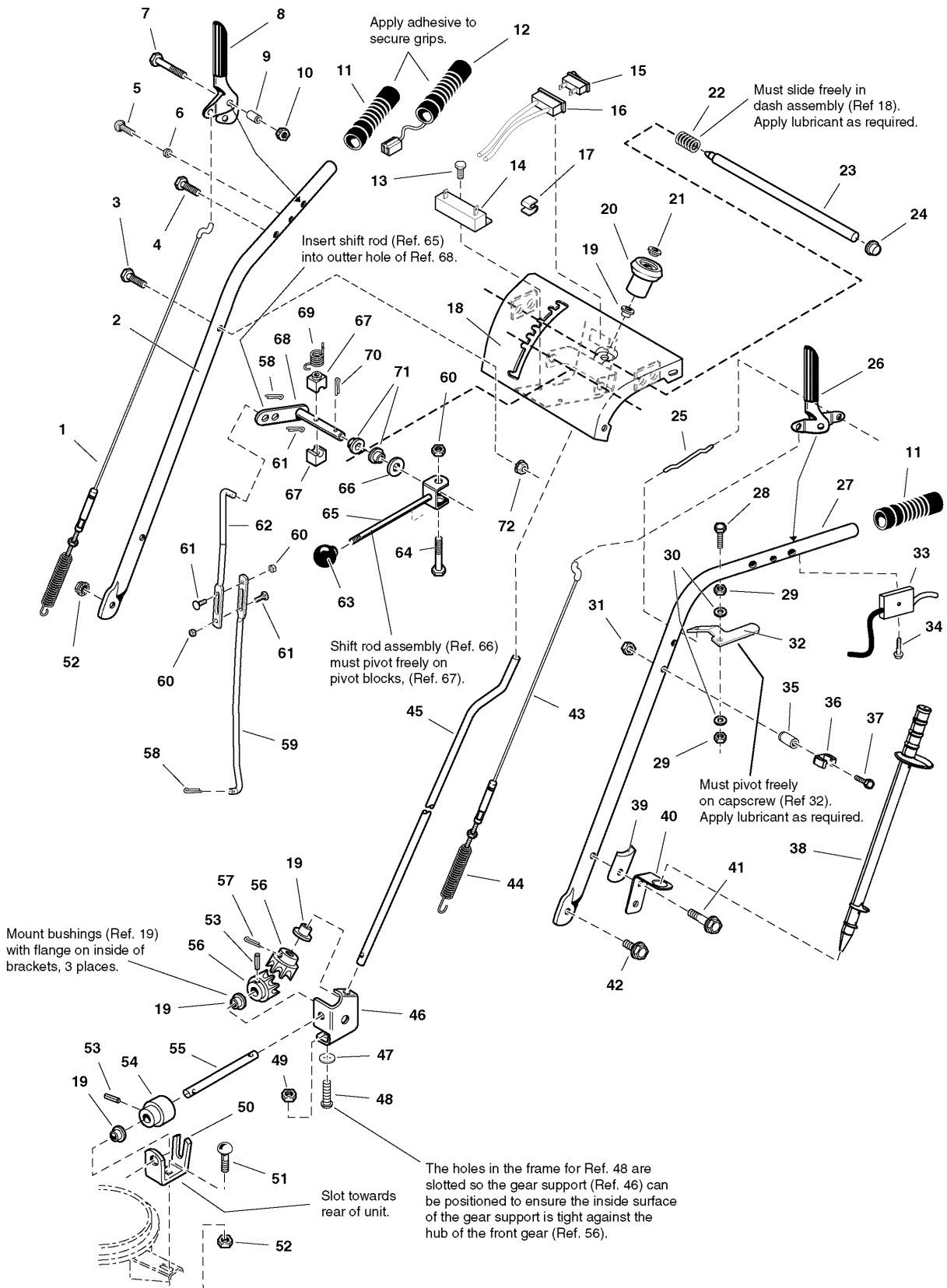


Handles and Controls Group

Item	Part No	Qty	Description	Note
1	1726833	1	CABLE AND SPRING ASSEMBLY, R.H. Auger	
2	1731334A	1	HANDLE, Tube, R.H.	
3	1922127	1	CAPSCREW, Hex Head, 5/16-18 x 1-3/4 G5	
4	1921221	3	CAPSCREW, Hex Head, 5/16-18 x 1-1/2 G5	
5	1960671	2	SCREW, Pan Head Torx, 1/4-20 x 3/4, Thread Cutting	
6	1715654	2	SPACER, 1/4ID x 25/64OD x 11/64LG	
7	1922837	2	CAPSCREW, Hex Head, 1/4-20 x 1-1/2 G5	
8	1722638	1	HANDLE, Clutch R.H.	
9	1715655	2	SPACER	
10	1923358	2	NUT, Hex Centerlock, 1/4-20	
11	1726317	2	GRIP	<i>On all except 38" models</i>
12	1723965	2	HAND GRIP, Heated 1" Diameter	<i>Used on 38" models</i>
13	1923341	3	CAPSCREW, Hex Head 1/4-20 x 3/4 G5	<i>Used on 38" models</i>
14	1724037	1	RESISTOR BLOCK, 2 Male Terminal	<i>Used on 38" models</i>
15	1723967	1	SWITCH, Hand Warmer	<i>Used on 38" models</i>
16	1728968	1	HARNESS, Wiring	<i>Used on 38" models</i>
17	1715956	1	CLIP, Wire	<i>Used on 38" models</i>
18	1726983A	1	DASH AND SUPPORT ASSEMBLY, Tubular	
19	1667588	4	BUSHING, 47/125ID x 437/1000OD x 1/5LG	<i>On all except 38" models</i>
20	1714084	1	KNOB, Spinner	<i>On all except 38" models</i>
21	1960093	1	NUT, Push Pal, 3/8" Diameter Stud Capped	<i>On all except 38" models</i>
22	1722690	1	SPRING, Complete	
23	1722633	1	ROD AND SPRING ASSEMBLY, w/Pin (Includes Ref. No. 26)	
24	1960519	1	PUSH NUT, Stud Cap, 1/2	
25	1722630	1	ROD, 4/25" Diameter, E-Coat	
26	1722667	1	HANDLE, Clutch L.H.	
27	1731333A	1	HANDLE, Tube, L.H.	
28	1960662	1	CAPSCREW, Hex Head, 1/4-20 x 2 G5	
29	1920397	2	NUT, Hex Lock ESNA Light, 1/4-20NC-3B	
30	1921319	2	WASHER, 1/4	
31	1933896	1	NUT, Hex Lock, 10-24	
32	1722631A	1	LEVER, Pivot	
33	1718791	1	CABLE AND HANDLE ASSEMBLY, Clutch	
34	1725702	1	SCREW, Pan Head Torx, #10 x 1/2 Thread Cut	
35	1726995	1	SPACER, 1-1/4 LG Beveled End	
36	1726728	1	CLIP, Snow Stick	
37	1960727	1	SCREW, Hex Flange Slot, #10-24 x 2-1/2	

Footnotes:

Handles and Controls Group

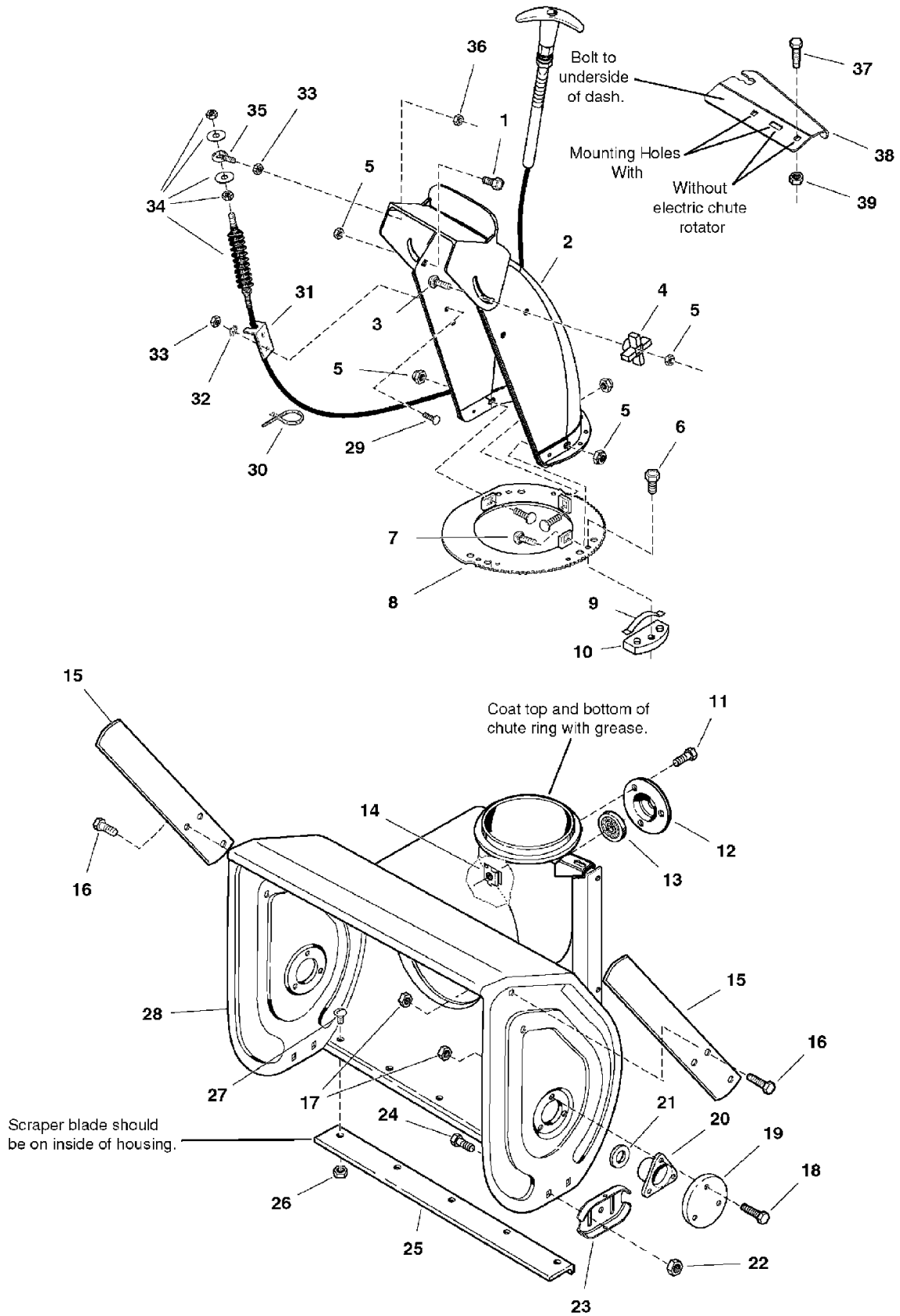


Handles and Controls Group

Item	Part No	Qty	Description	Note
38	7075909	1	STICK, Snow Removal	
39	1720452	2	CLAMP, Saddle Snow Handle E-Coat	
40	1726727A	1	BRACKET, Clean Out Tool	
41	1960730	2	CAPSCREW, Hex Head Serrated Flange Taptite, 5/16-18 x 2 G5	
42	1960729	1	CAPSCREW, Hex Whiz Lock Flange, 5/16-18 x 3/4	
43	1726832	1	CABLE AND SPRING ASSEMBLY, L.H. Traction	
44	1707452	1	SPRING, Extension	
45	1727088	1	ROD, 3/8" Diameter, 26"LG, E-Coat	<i>On all except 38" models</i>
46	1718793	1	SUPPORT, Gear	<i>On all except 38" models</i>
47	1960518	2	NUT, Push for 1/4 Diameter Thread	<i>On all except 38" models</i>
48	1960252	2	CARRIAGE BOLT, 1/4-20 x 5/8 G5	<i>On all except 38" models</i>
49	1960294	2	NUT, Hex Flange, 1/4-20, Whiz Lock Small	<i>On all except 38" models</i>
50	1611911	1	SUPPORT, Worm	<i>On all except 38" models</i>
51	1931333	1	CARRIAGE BOLT, 5/16-18 x 3/4 G5	<i>On all except 38" models</i>
52	1960684	2	NUT, Hex Keps, 5/16-18, Conical Washer	<i>Uses quantity of 1 on 38" models</i>
53	2816168	2	PIN, Spring 1/8 x 3/4	<i>On all except 38" models</i>
54	1668186	1	WORM, Chute, L.H.	<i>On all except 38" models</i>
55	1725283	1	ROD, 3/8" Diameter, Chute Worm E-Coat	<i>On all except 38" models</i>
56	1718593	2	GEAR, Powdered Metal, Metafusion	<i>On all except 38" models</i>
57	1918452	1	PIN, Cotter 1/4 x 1	<i>On all except 38" models</i>
58	1722460	1	PIN, Quick	
59	1666255	1	ROD, 3/4" Diameter	
60	1960685	3	NUT, Hex KEPS, 1/4-20, Conical Washer	<i>Uses quantity of 6 on 38" models</i>
61	1931317	2	CARRIAGE BOLT, 1/4-20 x 3/4 G5	
62	1726304	1	ROD, 3/4" Diameter, Shift Upper E-Coat, 11-19/50LG	
63	1726734	1	KNOB, Intermediate Thread, 3/8-16	
64	1960705	1	SCREW, Hex Whiz Lock Flange, 1/4-20 x 2-1/4	
65	1668523	1	ROD AND CLEVIS ASSEMBLY, Shift, Threaded	
66	1924361	1	WASHER, 1/2	
67	1668524	2	BLOCK, Pivot, 3/4 x 3/4, Powdered Metal	
68	1720240	1	ROD AND ARM ASSEMBLY, Pivot	
69	1715123	1	SPRING, Torsion	
70	1960074	1	CLIP, Hair Pin	
71	1668185	2	BUSHING, 1/2ID x 3/4OD x 1/4LG	
72	1960686	4	NUT, Hex Flange, 5/16-18 ESNA	

Footnotes:

Auger Housing and Chute Group - 24, 28 & 32 inch

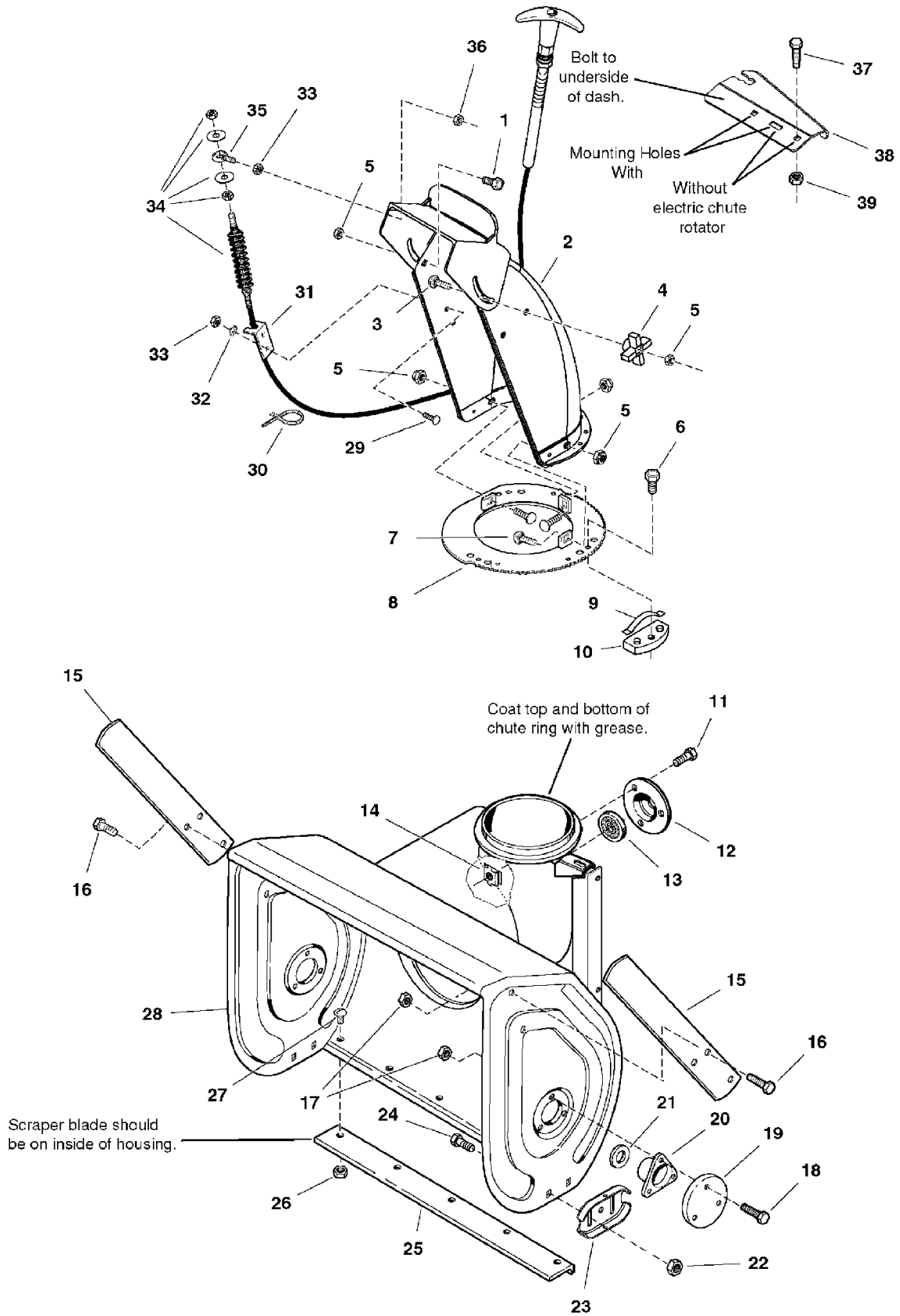


Auger Housing and Chute Group - 24, 28 & 32 inch

Item	Part No	Qty	Description	Note
1	1921332	2	CAPSCREW, Hex Head, 5/16-18 x 3/4 G5	<i>Uses quantity of 5 on 28" models and quantity of 6 on 32" models</i>
2	7072881	1	CHUTE AND DEFLECTOR ASSEMBLY, w/Remote	
2	7072850	1	CHUTE AND DEFLECTOR ASSEMBLY, Manual	
3	1931335	1	CARRIAGE BOLT, 5/16-18 x 1 G5	
4	1670578	1	KNOB, Internal Thread, 5/16	
5	1960686	4	NUT, Hex Flange ESNA, 5/16-18	<i>Used quantity of 5 on on 28" & 32" models</i>
6	1960001	3	SCREW, Hex Washer Head Pastite, 10-14 x 5/8	
7	1960282	1	CARRIAGE BOLT, 5/16-18 x 3/4	
8	1726958A	1	RING AND TABS ASSEMBLY, Gear	
9	1667865	3	SPRING, Flat	
10	1666613	3	HOLD DOWN, Chute	
11	1960738	3	CAPSCREW, Hex Head Whiz Lock, 5/16-18 x 5/8 G5	
12	1665982A	1	RETAINER, Bearing	
13	1729578	1	BEARING, Ball	
14	1930659	3	NUT, Retainer Speed, 5/16-18	
15	1729642D	2	CUTTER, Drift, 1/4" Thick, 20LG	<i>Used on 28" & 32" models</i>
16	1664847	1	CAPSCREW, Hex Head Taptite, 5/16-18 x 3/4 G5	<i>Uses quantity of 2 on 38" models</i>
17	1931277	6	NUT, Hex Keps, 5/16-18, Conical Washer	
18	1923325	6	CAPSCREW, Hex Head 5/16-18 x 7/8 G5	
19	1668639D	2	CAP, Bearing, 3-3/4OD	
20	1665980	2	BEARING, Flange	
21	1663189	2	SPACER, Low	
22	1960687	4	NUT, Hex Flange 3/8-16 ESNA	
23	1727854D	2	SKID SHOE, Reversible	
24	1960711	4	CARRIAGE BOLT, 3/8-16 x 3/4 G5	
25	1709946A	1	BLADE, Scraper, 24"	<i>Used on 24" models</i>
25	1709947A	1	BLADE, Scraper, 28"	<i>Used on 28" models</i>
25	1709948A	1	BLADE, Scraper, 32"	<i>Used on 32" models</i>
26	1935048	5	NUT, Hex Flange, 5/16-18, Two-Way Lock GA	<i>Uses quantity of 7 on 32" models</i>
27	1960699	5	CARRIAGE BOLT, 5/16-18 x 5/8 G5	<i>Uses quantity of 7 on 32" models</i>
28	1729724D	1	HOUSING AND IMPELLER ASSEMBLY, 24"	<i>Used on 24" models</i>
28	1729726D	1	HOUSING AND IMPELLER ASSEMBLY, 28"	<i>Used on 28" models</i>
28	1729728D	1	HOUSING AND IMPELLER ASSEMBLY, 32"	<i>Used on 32" models</i>
29	1960252	2	CARRIAGE BOLT, 1/4-20 x 5/8 G5	<i>Used on 38" models</i>
30	2825094	1	TIE, Self Locking	
31	7032813	1	MOUNT, Cable	<i>Used on 38" models</i>
32	1921880	2	LOCKWASHER, External Tooth, 1/4	<i>Used on 38" models</i>

Footnotes:

Auger Housing and Chute Group - 24, 28 & 32 inch

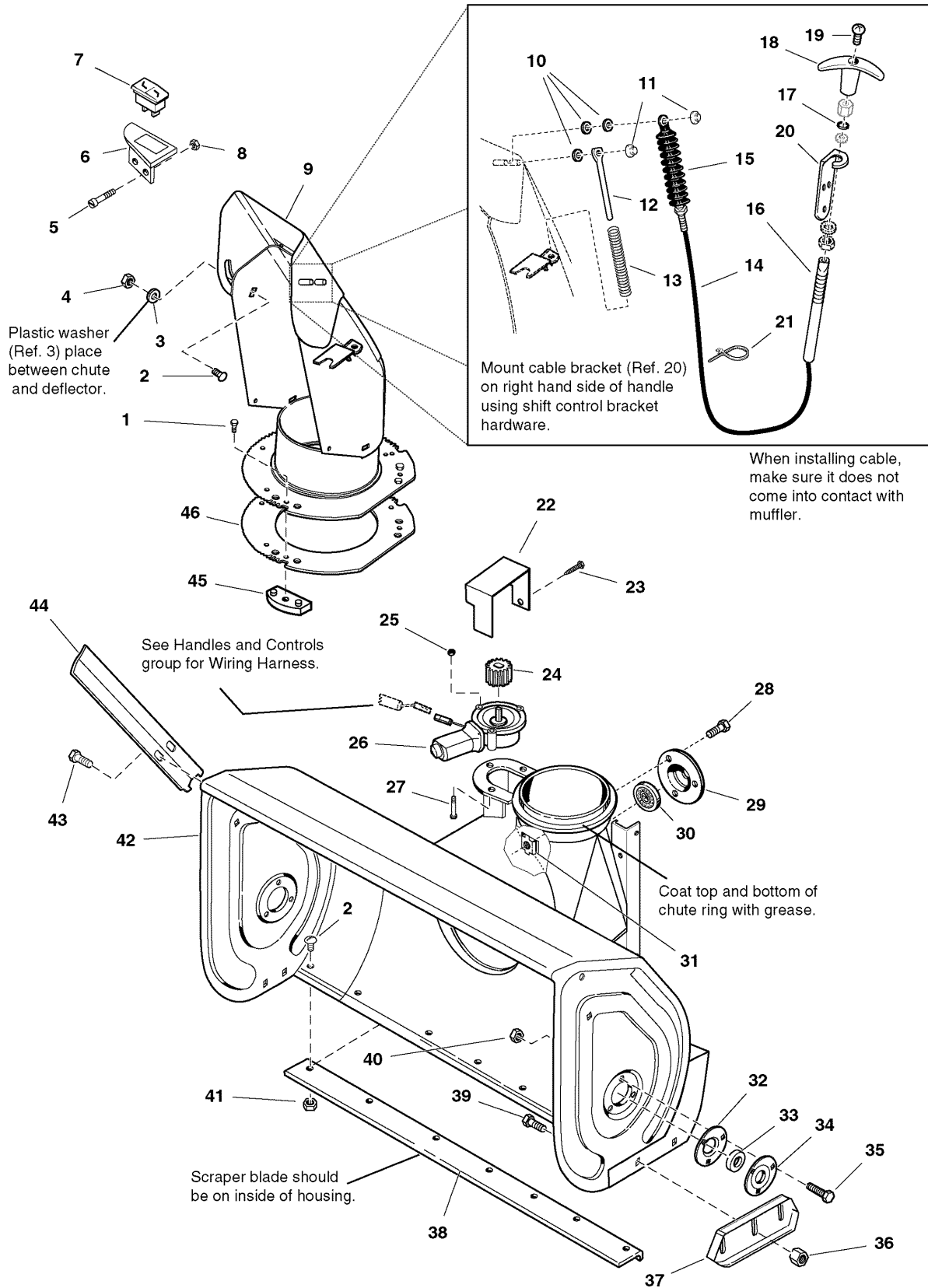


Auger Housing and Chute Group - 24, 28 & 32 inch

Item	Part No	Qty	Description	Note
33	1960294	3	NUT, Hex Whiz Lock, 1/4-20 NC-2B	<i>Used on 38" models</i>
34	7045172	1	CABLE, Remote Chute Deflector, 60"	<i>Used on 38" models</i>
35	7023798	1	EYEBOLT, 1/4-20 x 1-1/2 LG	<i>Used on 38" models</i>
36	1960694	1	NUT, Hex Lock ESNA Light, 1/4-20NC-3B	<i>Used on 38" models</i>
37	1923341	2	CAPSCREW, Hex Head 1/4-20 x 3/4 G5	<i>Used on 38" models</i>
38	1726992A	1	SUPPORT, Cable Tubular Handles, 12GA	<i>Used on 38" models</i>
39	1960685	2	NUT, Hex KEPS, 1/4-20, Conical Washer	<i>Used on 38" models</i>

Footnotes:

Auger Housing and Chute Group - 38 inch

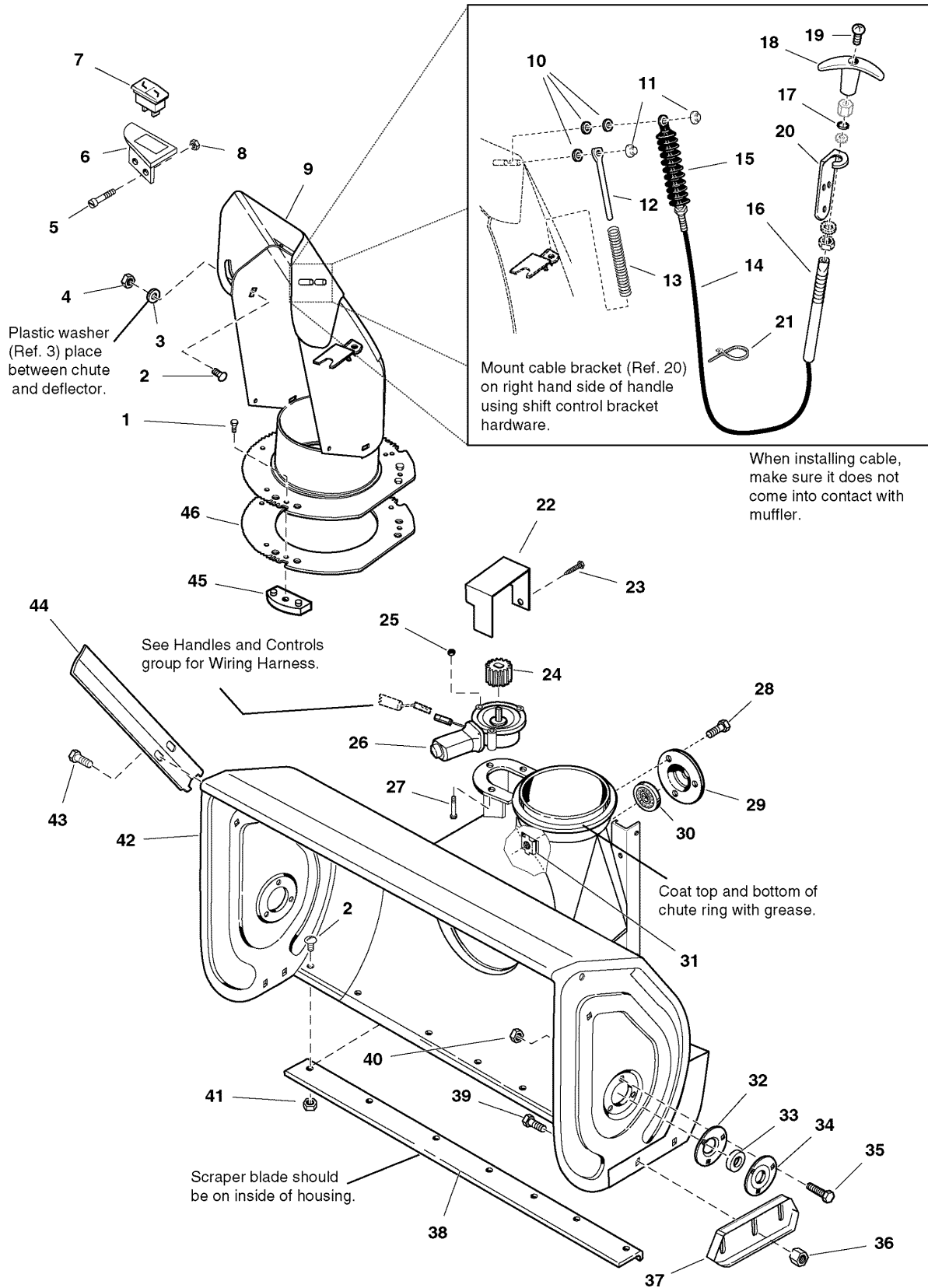


Auger Housing and Chute Group - 38 inch

Item	Part No	Qty	Description	Note
1	1960001	3	SCREW, Hex Washer Head Pastite, 10-14 x 5/8	
2	1931333	10	CARRIAGE BOLT, 5/16-18 x 3/4 G5	
3	2860210	1	WASHER, Special, 97/250ID x 1-3/25OD x 3/100 Thick	
4	1960686	1	NUT, Hex Flange ESNA, 5/16-18	
5	1923341	1	SCREW, Hex Whiz Lock, 1/4-20 x 3/4	
6	1729792A	1	BRACKET, Mounting Switch	
7	1728969	1	SWITCH, Rocker Chute	
8	1933896	2	NUT, Hex Nylon 10-24	
9	1731498A	1	CHUTE AND DEFLECTOR ASSEMBLY	
10	1702219	3	SPACER, Heat Treated	
11	1960126	2	NUT, Push Pal, 1/4" Diameter Stud Capped	
12	1611945	1	ROD, 5/16" Diameter, Spring Guide	
13	1611939	1	SPRING, Complete	
14	1720446	1	CABLE AND KNOB ASSEMBLY, Chute (Includes Ref. No. 18, 19, 20, 21 & 22)	
15	1611989	1	BOOT, Bellows	
16	1719140	1	COLLET	
17	1719139	1	SEAL, Rod	
18	1719138	1	KNOB	
19	1960600	1	SCREW, 8-32	
20	1726411A	1	SUPPORT, Cable	
21	2825094	1	TIE, Self Locking	
22	1729645A	1	COVER, Pinion, 18GA	
23	1925003	2	CAPSCREW, Hex Washer Head Taptite, 1/4-20 x 1/2	
24	1728967	1	PINION, 1-3/20 LG	
25	1960745	4	NUT, Hex KEPS, #10-24	
26	1728965	1	MOTOR, Electric	
27	2860604	3	SCREW, Hex Washer Head Slot, #10-24 x 1-1/4	
28	1960738	9	CAPSCREW, Hex Head Whiz Lock, 5/16-18 x 3/4	
29	1665982A	1	RETAINER, Bearing	
30	1729578	1	BEARING, Ball	
31	1930659	3	NUT, Retainer Speed, 5/16-18	
32	2172279A	2	FLANGE, Bearing, w/Fitting	
33	2173934	2	BEARING, Cartridge	
34	2172278A	2	FLANGE, Bearing, 3/8" Deep	
35	1925205	6	CAPSCREW, Hex head, 5/16-18 x 5/8	
36	1960687	4	NUT, Hex Flange, 3/8-16 ESNA	
37	1725747A	2	SKID SHOE, 7GA Formed, Heat Treated	

Footnotes:

Auger Housing and Chute Group - 38 inch

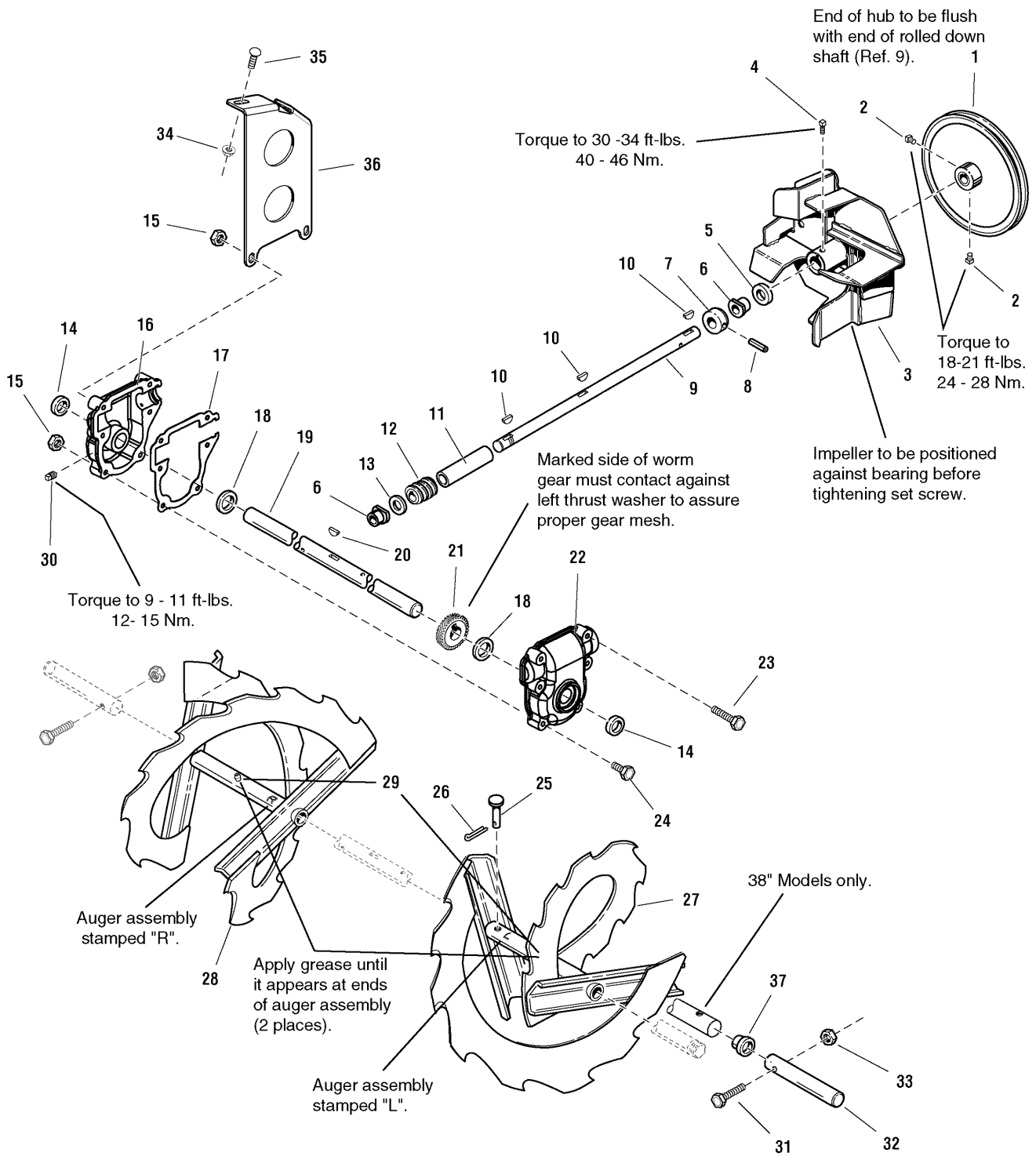


Auger Housing and Chute Group - 38 inch

Item	Part No	Qty	Description	Note
38	1723921A	1	BLADE, Scraper, 35-3/4 for 38"	
39	1960702	4	CARRIAGE BOLT, 3/8-16 x 1 G5	
40	1931277	15	NUT, Hex Flange Whiz Lock, 5/16-18	
41	1935043	9	NUT, Flange Lock, 5/16-18	
42	1729734D	1	HOUSING AND IMPELLER ASSEMBLY, 38"	
43	1664847	4	CAPSCREW, Hex Washer Head Taptite, 5/16-18 x 3/4 G5	
44	1729642D	2	CUTTER, Drift, Red	
45	1666613	3	HOLD DOWN, Chute	
46	1717477A	1	GEAR, Chute	

Footnotes:

Auger and Impeller Group

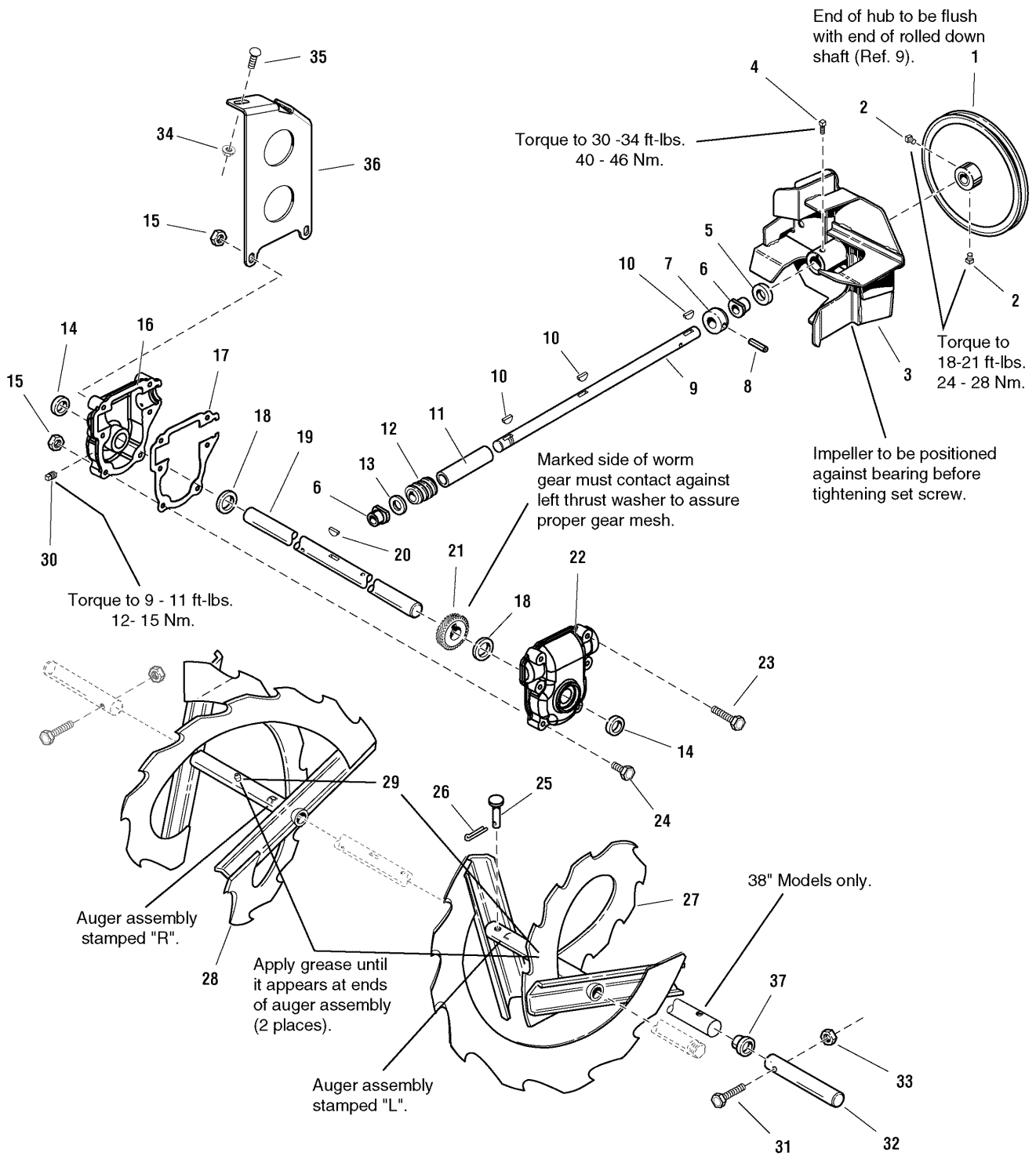


Auger and Impeller Group

Item	Part No	Qty	Description	Note
1	1679293	1	PULLEY, w/Hub	
2	1928721	2	SCREW, Set Square Head Cup Point, 5/16-18 x 1/2 G8	
3	1612187A	1	IMPELLER ASSEMBLY	
4	1960474	1	SCREW, Set Square Head Cup Point, 3/8-16 x 1/2 G8	
5	1612093	1	SEAL, Oil 1/4" Thick	
6	1612149	2	BUSHING, 377/500 ID x 1-1/10 OD x 1-1/100 LG Powderdered Metal	
7	1612127	1	COLLAR, Thrust 3/4 LG	
8	2836098	1	PIN, Drive Lock Type A 3/16 x 1-1/2	
9	1612129	1	SHAFT, Worm 18-1/10 LG	
10	2818312	3	KEY, Woodruff, 47/250 x 5/8	
11	1612111	1	TUBE, 9/10 OD 39/50 ID, 7-1/2 LG	
12	1612142	1	GEAR, Worm 1-3/8 LG	
13	2168111	1	WASHER, Thrust	
14	2118118	2	SEAL, Oil, 1/4" Thick	
15	1930642	6	NUT, Hex Flange , 1/4-20 Toplock Small	<i>Quantity 8 used on 38" models</i>
16	1612137	1	CASE, Gear R.H.	
17	1612124	1	GASKET, Gear Case	
18	2118315	2	WASHER, Thrust	
19	1612117	1	SHAFT, 16 LG Auger 3 Holes	
20	2830246	1	KEY, Woodruff 1/4 x 3/4	
21	1612141	1	GEAR, Worm 7/8 LG	
22	1612136	1	CASE, Gear L.H.	
23	1923282	2	CAPSCREW, Hex Head, 1/4-20 x 2-1/2 G5	<i>Used on 38" models</i>
24	1960346	4	CAPSCREW, Hex Head, 1/4-20 x 2-1/4 G5	<i>Quantity 4 used on 38" models</i>
25	1668344	2	PIN, Flat Head Drilled	
26	1918447	2	PIN, Cotter 47/50 x 3/4	
27	1718782A	1	AUGER ASSEMBLY, L.H. 9-1/2 LG	<i>Used on 24" models</i>
27	1718784A	1	AUGER ASSEMBLY, L.H. 11-1/2 LG	<i>Used on 28" models</i>
27	1718786A	1	AUGER ASSEMBLY, L.H. 13-1/2 LG	<i>Used on 32" models</i>
27	1723945A	1	AUGER ASSEMBLY, L.H. 15-9/10 LG (without Bushing)	<i>Used on 38" models</i>
27	1731322A	1	AUGER ASSEMBLY, L.H. 15-9/10 LG (with Bushing Ref. No. 37)	<i>Used on 38" models</i>
28	1718783A	1	AUGER ASSEMBLY, R.H. 9-1/2 LG	<i>Used on 24" models</i>
28	1718785A	1	AUGER ASSEMBLY, R.H. 11-1/2 LG	<i>Used on 28" models</i>
28	1718787A	1	AUGER ASSEMBLY, R.H. 13-1/2 LG	<i>Used on 32" models</i>
28	1723944A	1	AUGER ASSEMBLY, R.H. 15-9/10 LG (without Bushing)	<i>Used on 38" models</i>
28	1723944A	1	AUGER ASSEMBLY, R.H. 15-9/10 LG (with Bushing Ref. No. 37)	<i>Used on 38" models</i>
29	2821133	2	FITTING, Lube 1/4 Drive, No Check Ball	

Footnotes:

Auger and Impeller Group

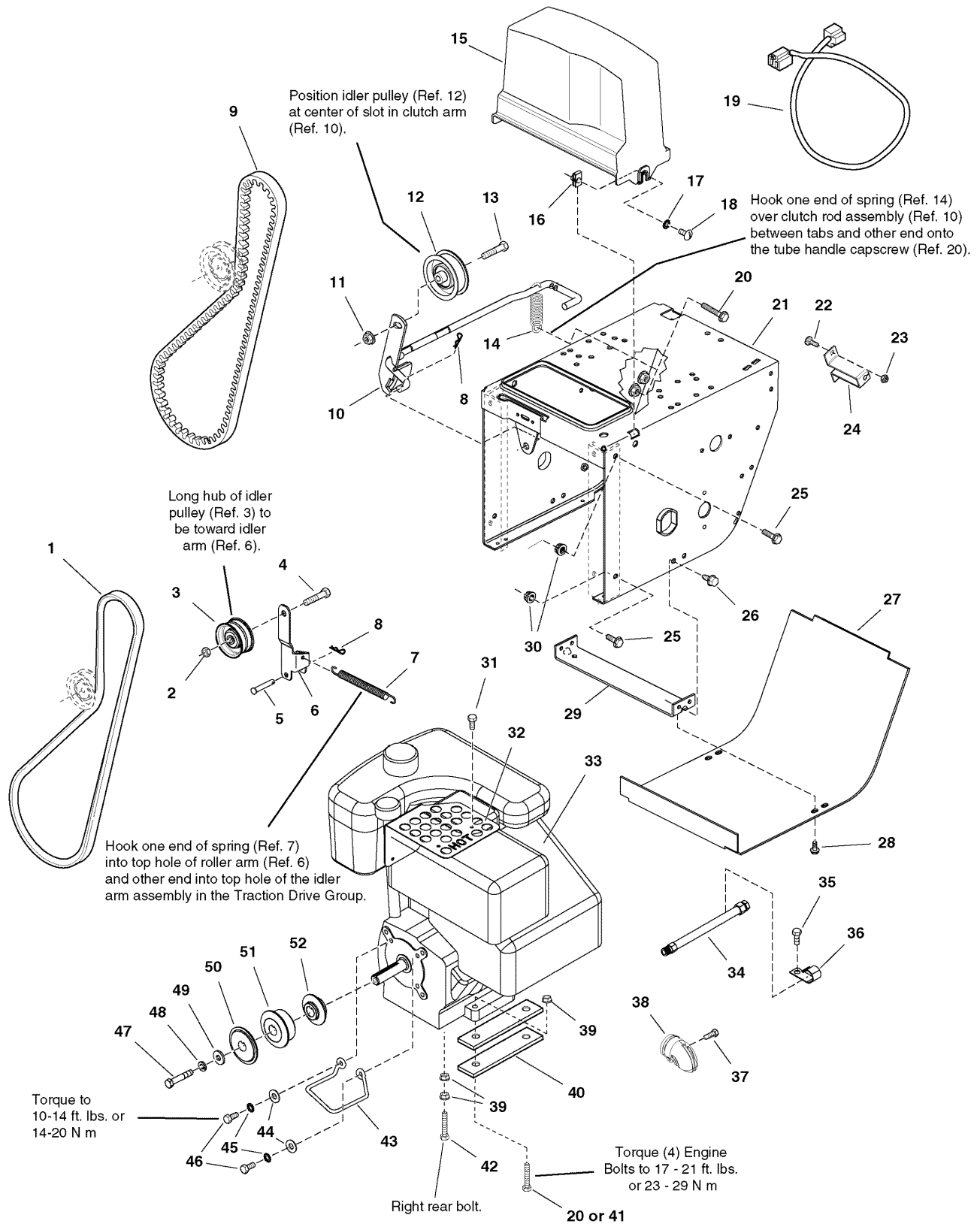


Auger and Impeller Group

Item	Part No	Qty	Description	Note
30	1668971	1	FITTING, Pipe Plug, Square Head	
31	1921962	2	CAPSCREW, Hex Head, 1/4-20 x 1-3/4 G5	<i>Used on 38" models</i>
32	1723931	2	SHAFT, 5 LG	<i>Used on 38" models</i>
33	1920397	2	NUT, Hex Lock ESNA Light, 1/4-20NC-3B	<i>Used on 38" models</i>
34	1931277	2	NUT, Hex Flange, 5/16-18, Whiz Lock Small	<i>Used on 38" models</i>
35	1931333	2	CARRIAGE BOLT, 5/16-18 x 3/4 G5	<i>Used on 38" models</i>
36	1723922A	1	SUPPORT, Gear Box 10GA	<i>Used on 38" models</i>
37	1709894	2	BUSHING, Plastic	<i>Used on 38" models</i>

Footnotes:

Engine and Frame Group



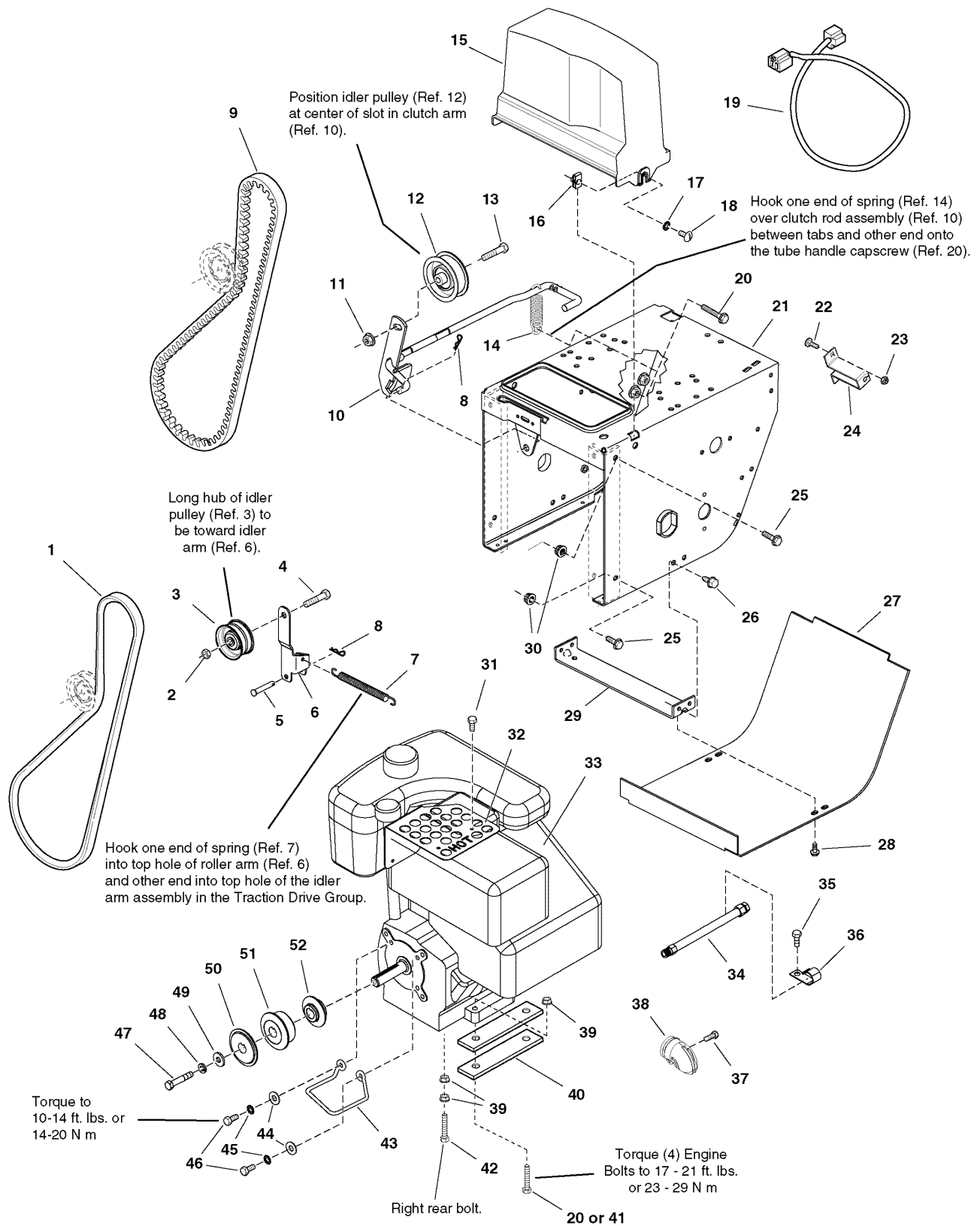
Engine and Frame Group

Item	Part No	Qty	Description	Note
1	1700415	1	V-BELT, 3L 32.3"	<i>On all except 38" models</i>
1	1672732	1	V-BELT, 3L 31.0"	<i>Used only on 38" models</i>
2	1928731	1	NUT, Hex, Toplock, Jam, 3/8-16	
3	1668477	1	PULLEY, Idler	
4	1960647	1	SCREW, Hex Head, 3/8-16 x 1-1/2	
5	1665994	1	PIN, Flat Head Drilled	
6	1703046A	1	ARM, Idler, 5-3/4 LG	
7	1727149	1	SPRING, Extension	
8	1722460	2	PIN, Quick	
9	1725416	1	V-BELT, HA	<i>On all except 38" models</i>
9	1666655	1	V-BELT, HA	<i>Used only on 38" models</i>
10	1727058A	1	ROD AND ARM ASSEMBLY, Clutch, Brake	
11	1928352	1	NUT, Hex Flange, 3/8-16 Whiz Lock Large	
12	1726348	1	PULLEY, Idler	
13	2860709	1	CAPSCREW, Hex Whiz Lock Flange, 3/8-16 x 1-3/4	
14	2159106	1	SPRING, Extension, 4-1/4 Long	
15	1725287	1	COVER, Belt	
16	1935255	2	NUT, Speed, 5/16-18, Lug Type	
17	2820426	2	LOCKWASHER, External Tooth, 5/16	
18	1918249	2	SCREW, Truss head Slotted, 5/16-18 x 3/4	
19	1724064	1	CORD, Electric Extension	
20	1921221	1	CAPSCREW, Hex Head, 5/16-18 x 1-1/2 G5	<i>Uses quantity of 3 on 38" models</i>
21	1726568D	1	FRAME ASSEMBLY, Chain/Tube Handles	
22	1931317	2	CARRIAGE BOLT, 1/4-20 x 3/4 G5	
23	1960685	2	NUT, Hex KEPS, 1/4-20, Conical Washer	
24	1720404A	1	SUPPORT, Clutch Cable, 16GA	
25	1930591	4	SCREW, Hex Whiz Lock Flange, 5/16-18 x 3/4	
26	1664847	4	SCREW, Hex Washer Head Taptite, 5/16-18 x 3/4	
27	1726870D	1	COVER, Bottom Frame, 20GA	
28	1925003	2	SCREW, Hex Washer Head Taptite, 1/4-20 x 1/2	
29	1727004A	1	SUPPORT, Tie Bar	
30	1927557	4	NUT, Hex Flange, 5/16-18, Whiz Lock Large	
31	1929477	3	SCREW, Hex Washer Head Taptite, #10-24 x 1/2	
32	1725664A	1	GUARD, Muffler, 18GA	
33	*	1	ENGINE, 9.5HP B&S Electric Start Model: 20A414-0111-E1	
33	*	1	ENGINE, 10.5HP B&S Electric Start Model: 20E214-0110-E1	
33	*	1	ENGINE, 11.5HP B&S Electric Start Model: 21C214-0110-E1	

Footnotes:

See your local Briggs distributor for engine service parts.

Engine and Frame Group



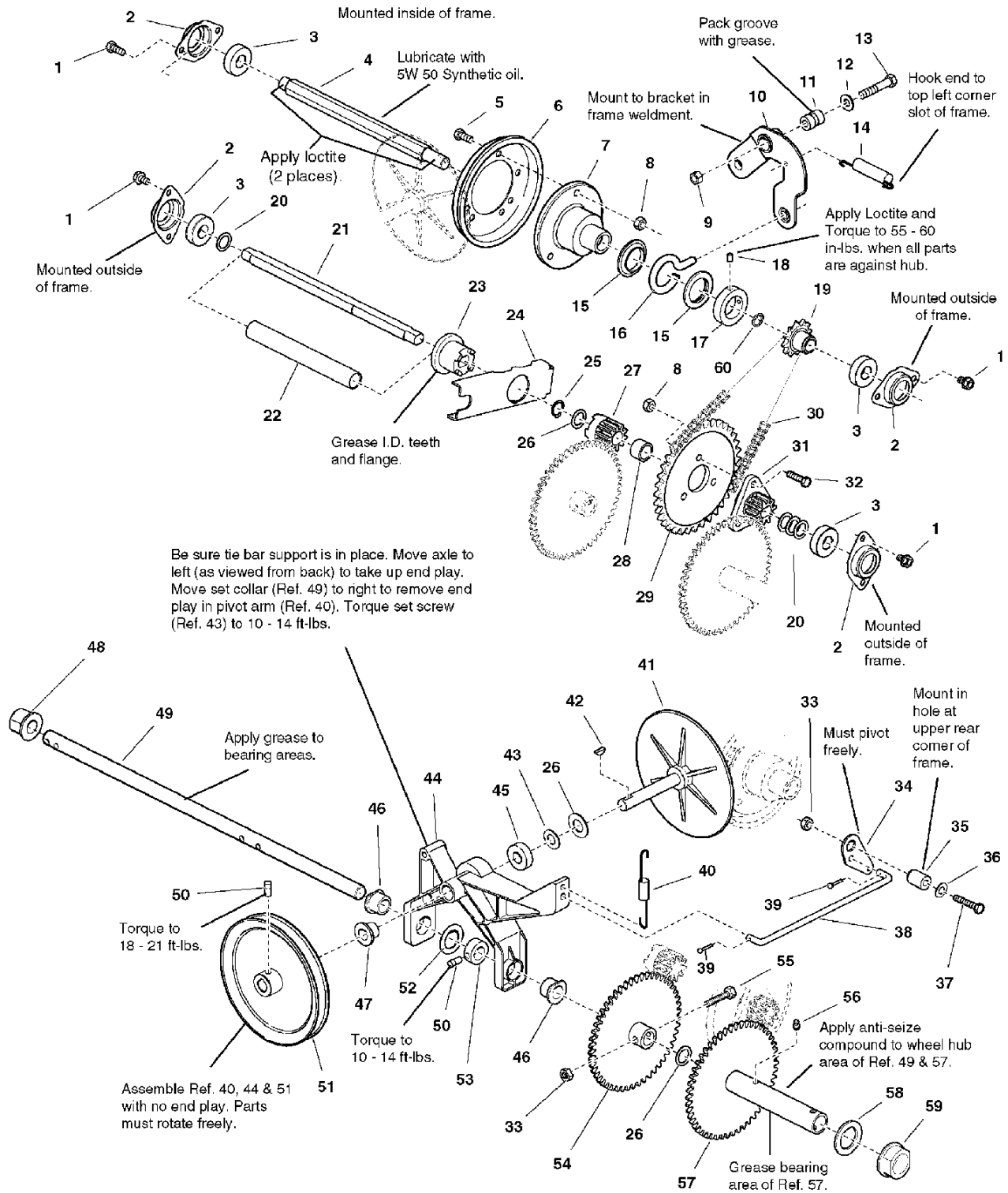
Engine and Frame Group

Item	Part No	Qty	Description	Note
33	*	1	ENGINE, 13HP B&S Electric Start Model: 21A414-0112-E1	
34	1726942	1	HOSE, Oil Drain, w/Fittings	
35	1664847	1	CAPSCREW, Hex Washer Head, 5/16-18 x 3/4	
36	1727068	1	CLIP, "J"	
37	1727033	1	SCREW, Muffler Deflector	
38	1727032	1	DEFLECTOR, Rain Guard, B&S Snow Muffler	
39	2831277	5	NUT, Hex Flange, 5/16-18, Whiz Lock Small	<i>Uses quantity of 4 only on 24" models</i>
40	1725326A	4	SUPPORT, Engine Riser, 3/8" Thick, 1-1/4 x 4-31/50	<i>On all except 24" models</i>
41	1935159	3	CAPSCREW, Hex Whiz Lock Flange, 5/16-18 x 2-1/4	<i>On all except 24" models</i>
42	2860551	1	CAPSCREW, Hex Washer Head Taptite, 5/16-18 x 2-1/2	<i>On all except 24" models</i>
42	2822127	1	CAPSCREW, Hex Head 5/16-18 x 1-3/4 G5	<i>Used only on 24" models</i>
43	1727785	1	STOP, Belt	
44	1919326	2	WASHER, 5/16	
45	1917356	2	LOCKWASHER, Spring, 5/16	
46	1921515	2	CAPSCREW, Hex Head, 5/16-24 x 3/4 G5	
47	1922128	1	CAPSCREW, Hex Head, 3/8-24 x 1-1/2 G8	
48	1916965	1	LOCKWASHER, Spring, 3/8	
49	1922755	1	WASHER, 3/8	
50	1726867	1	PULLEY, Engine Outside, Powdered Metal	
51	1726866	1	PULLEY, Engine Middle, Powdered Metal	
52	1726865	1	PULLEY, Half Powdered Metal	

Footnotes:

See your local Briggs distributor for engine service parts.

Traction Drive Group



Traction Drive Group

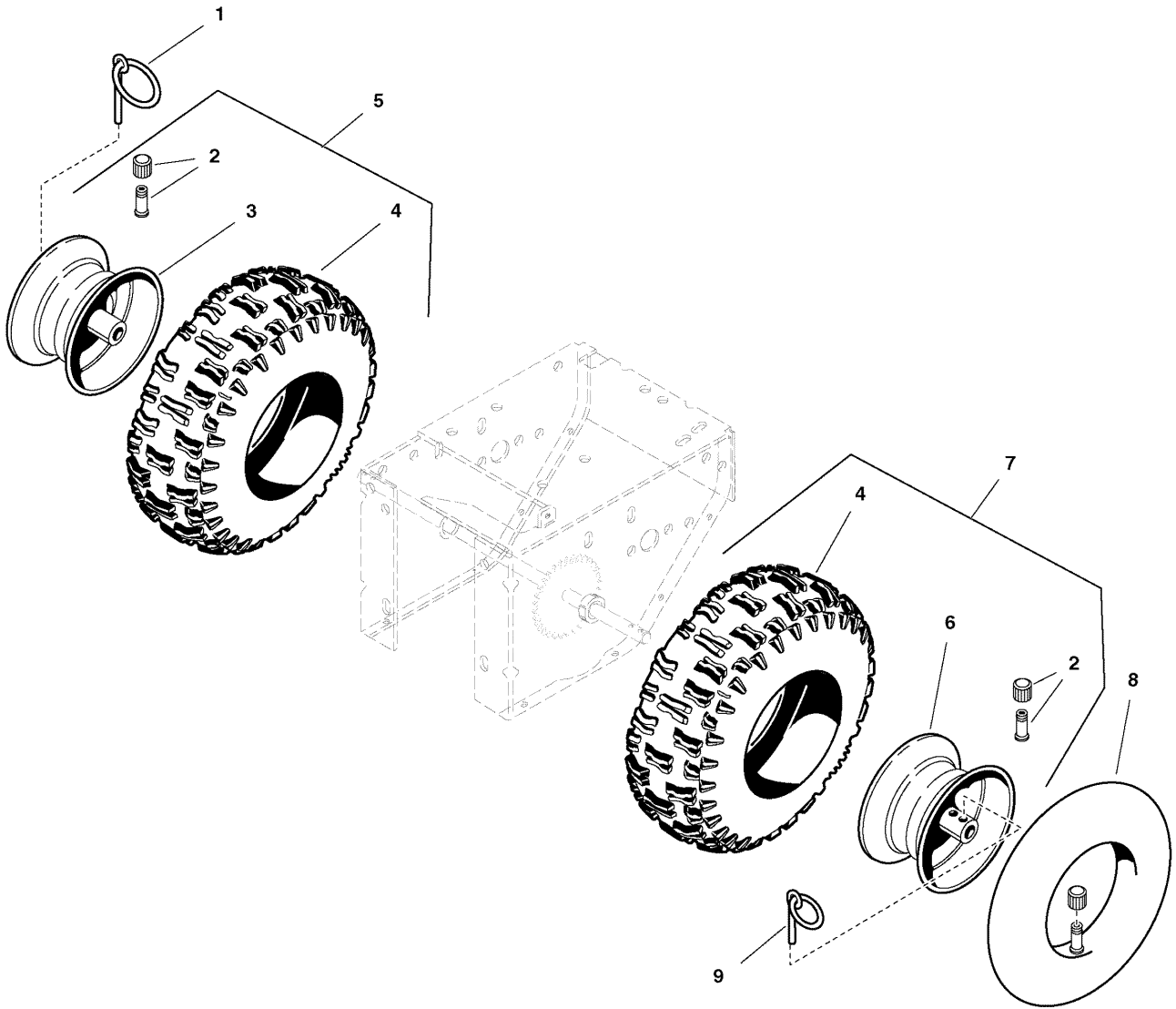
Item	Part No	Qty	Description	Note
1	1930601	8	SCREW, Hex Washer Head Taptite, 5/16-18 x 5/8	
2	1667341	4	RETAINER, Bearing	
3	1722703	4	BEARING, Ball	
4	1726856	1	SHAFT, Hex	
5	1921332	3	CAPSCREW, Hex Head, 5/16-18 x 3/4 G5	
6	1725428	1	DISC, Friction with Insert	
7	1665995	1	HUB, Friction Disc	
8	1960684	6	NUT, Hex Keps, 5/16-18, Conical Washer	
9	1960687	1	NUT, Hex Flange, 3/8-16 ESNA	
10	1669256	1	ARM ASSEMBLY, Shift w/Bushing	
11	1666114	1	BUSHING, 19/50 ID x 3/4 OD x 1-3/100 LG	
12	1924940	1	WASHER, 3/8	
13	1923701	1	CAPSCREW, Hex Head, 3/8-16 x 2 G5	
14	1668255	1	SPRING, Extension	
15	1678956	2	COLLAR, Thrust	
16	1666207	1	PIN, Loop	
17	1667335	1	COLLAR, Set	
18	1724333	2	SCREW, Set Square Head Cup Point, 1/4-20 x 1/2	
19	1726931	1	SPROCKET, 10 Tooth	
20	2860164	4	WASHER, 5/8	
21	1718752	1	JACKSHAFT, Double D	
22	1720298	1	SPRING, Complete	
23	1718689	1	CLUTCH, Sliding, 1/5LG, Powdered Metal	
24	1720078A	1	ARM, Clutch	
25	2827732	1	RING, Retaining Extension	
26	1960114	3	WASHER, 3/4	
27	1718688	1	GEAR, Stationary Clutch	
28	1679556	1	SPACER, Heat Treated, 31/100 LG	
29	1667330	1	SPROCKET	
30	1666980	1	CHAIN, Roller	
31	1718687	1	GEAR, Double D	
32	1921333	3	CAPSCREW, Hex Head, 5/16-18 x 1 G5	
33	1960686	2	NUT, Hex Flange, 5/16-18 ESNA	
34	1700473	1	BELLCRANK	
35	1666106	1	BUSHING, 11/32 ID x 3/4 OD x 1-3/50 LG	
36	1919326	1	WASHER, 11/32 x 3/4 x 1/16	
37	1922127	1	CAPSCREW, Hex Head, 5/16-18 x 1-3/4 G5	

Footnotes:

Traction Drive Group

Item	Part No	Qty	Description	Note
38	1726467	1	ROD, Pivot, 9-15/100 LG	
39	1722460	1	PIN, Quick	
40	1725666	1	SPRING, Extension	
41	1719879	1	DRIVE DISC with SPINDLE	
42	2818312	1	KEY, Woodruff, 47/250 x 5/8	
43	1924366	1	WASHER, 5/8	
44	1670849	1	ARM, Pivot with Bushings & Bearings (Includes Ref. Nos 45, 46, 47 & 48)	
45	1665521	1	BEARING, Ball	
46	1666425	2	BUSHING, 3/4 ID x 1 OD x 3/4 LG, Powder Metal	
47	1666855	1	BUSHING, 5/8 ID x 13/16 OD x 3/4 LG, Powder Metal	
48	1666001	1	BUSHING, 377/100 ID x 1-13/100 OD x 1 LG, Powdered Metal	
49	1720299	1	AXLE, Round	
50	1928721	2	SCREW, Set Square Head Cup Point, 5/16-18 x 1/2 G8	
51	1672595A	1	PULLEY AND HUB ASSEMBLY	
52	1919394	1	WASHER, 1	
53	1729254	1	COLLAR, Set	
54	1720300	1	GEAR AND HUB ASSEMBLY, RH	
55	1930570	1	CAPSCREW, Hex Head, 5/16-18 x 1-1/2 G8	
56	2812808	1	FITTING, Lube 1/4-28, Tapped with Check Ball	
57	1730228	1	GEAR AND HUB ASSEMBLY, with Bushings	
58	2860169	1	WASHER, 1-47/250	
59	1720305	1	BUSHING, 1-27/200 ID x 1-157/250 OD x 3/4 LG	
60	2172206	1	RING, Retaining External #87	

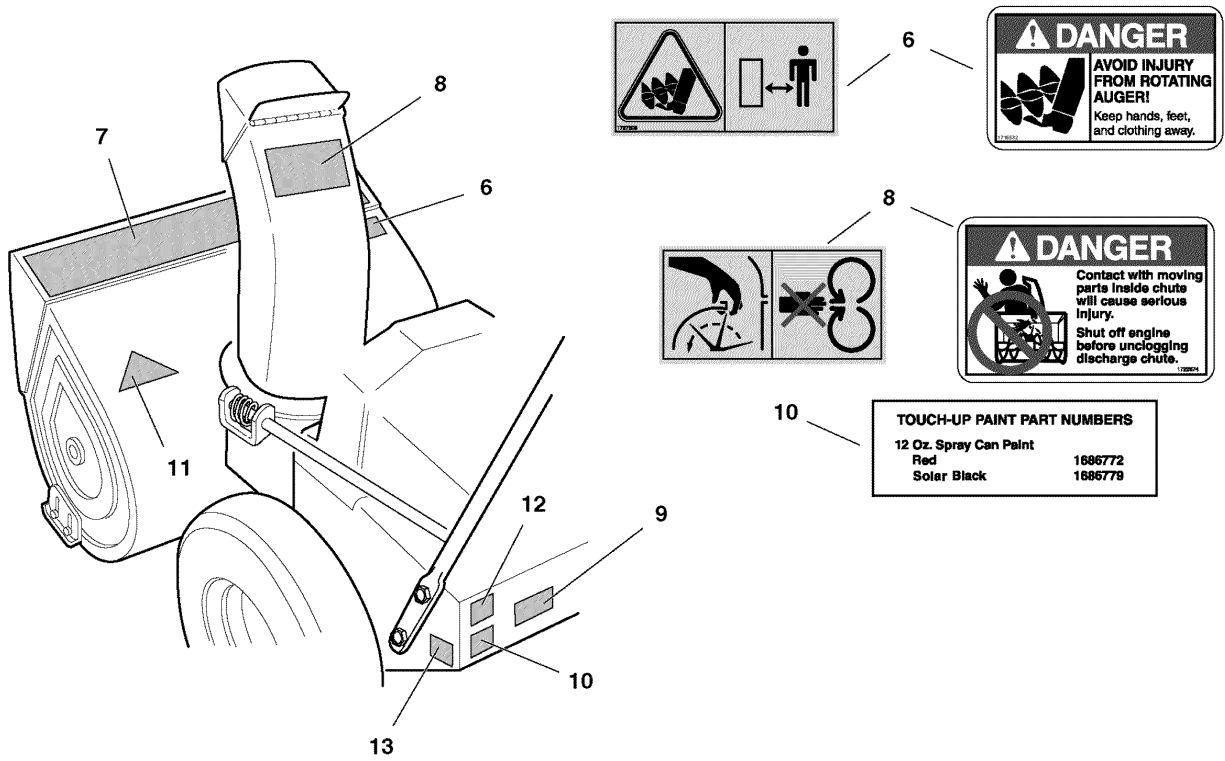
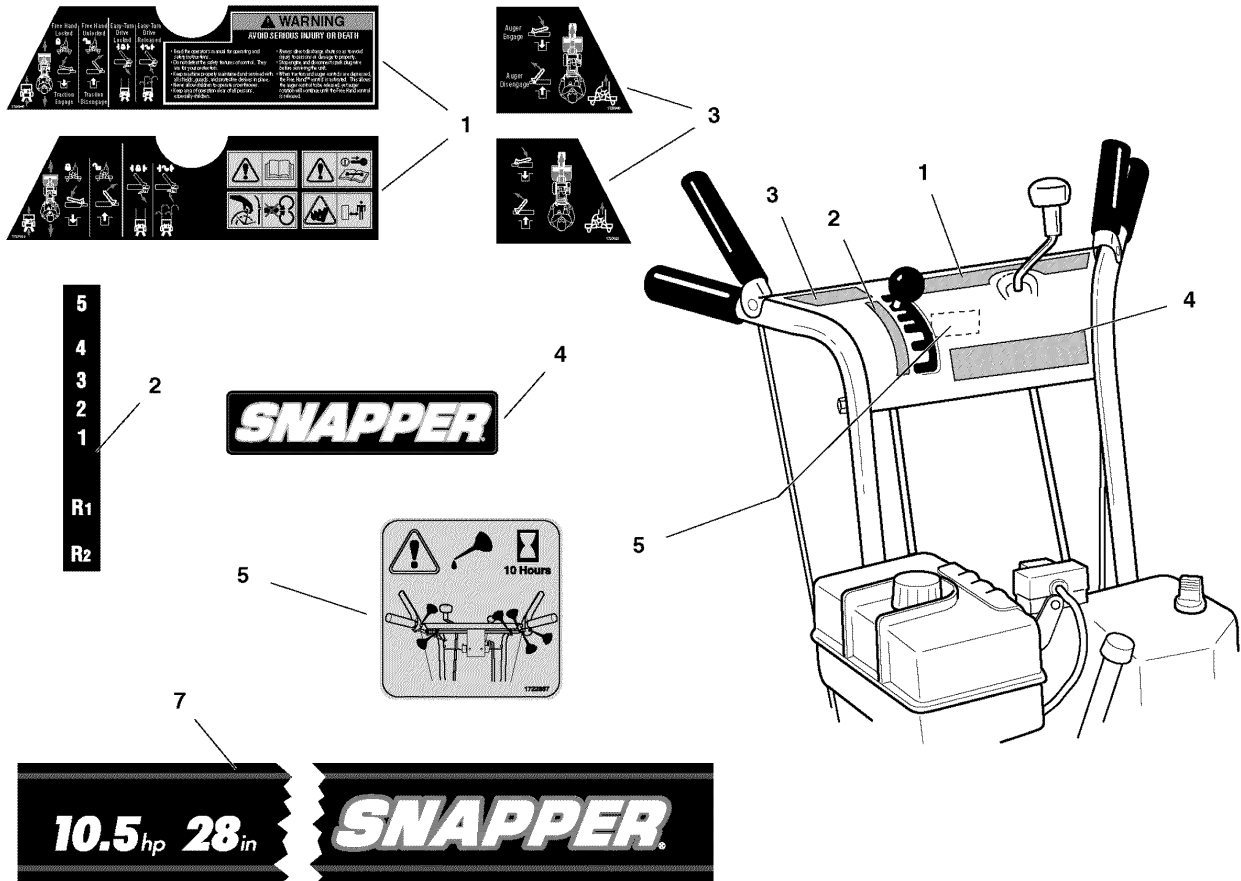
Footnotes:



Wheel & Tires Group

Item	Part No	Qty	Description	Note
1	1731186	1	PIN, Klik	
2	2172353	2	VALVE STEM & CAP	
3	1714242	1	HUB, Wheel, RH	<i>Used on 24" & 28" models</i>
3	1722762	1	HUB, Wheel, RH	<i>Used on 32" & 38" models</i>
4	1612000	2	TIRE, 4.80-4.00-8	<i>Used on 24" & 28" models</i>
4	1722597	2	TIRE, 16 x 6.50-6	<i>Used on 32" & 38" models</i>
5	1714235	1	WHEEL & TIRE ASSEMBLY, RH (Includes Ref. Nos. 3, 4 & 5)	<i>Used on 24" & 28" models</i>
5	1722599	1	WHEEL & TIRE ASSEMBLY, RH (Includes Ref. Nos. 3, 4 & 5)	<i>Used on 32" & 38" models</i>
6	1720307	1	HUB, Wheel, LH	<i>Used on 24" & 28" models</i>
6	1722761	1	HUB, Wheel, LH	<i>Used on 32" & 38" models</i>
7	1720306	1	WHEEL & TIRE ASSEMBLY, LH (Includes Ref. Nos. 3, 5 & 7)	<i>Used on 24" & 28" models</i>
7	1722598	1	WHEEL & TIRE ASSEMBLY, LH (Includes Ref. Nos. 3, 5 & 7)	<i>Used on 32" & 38" models</i>
8	2153038	2	TUBE, Tire	
9	1666969	1	PIN, Klik	

Footnotes:

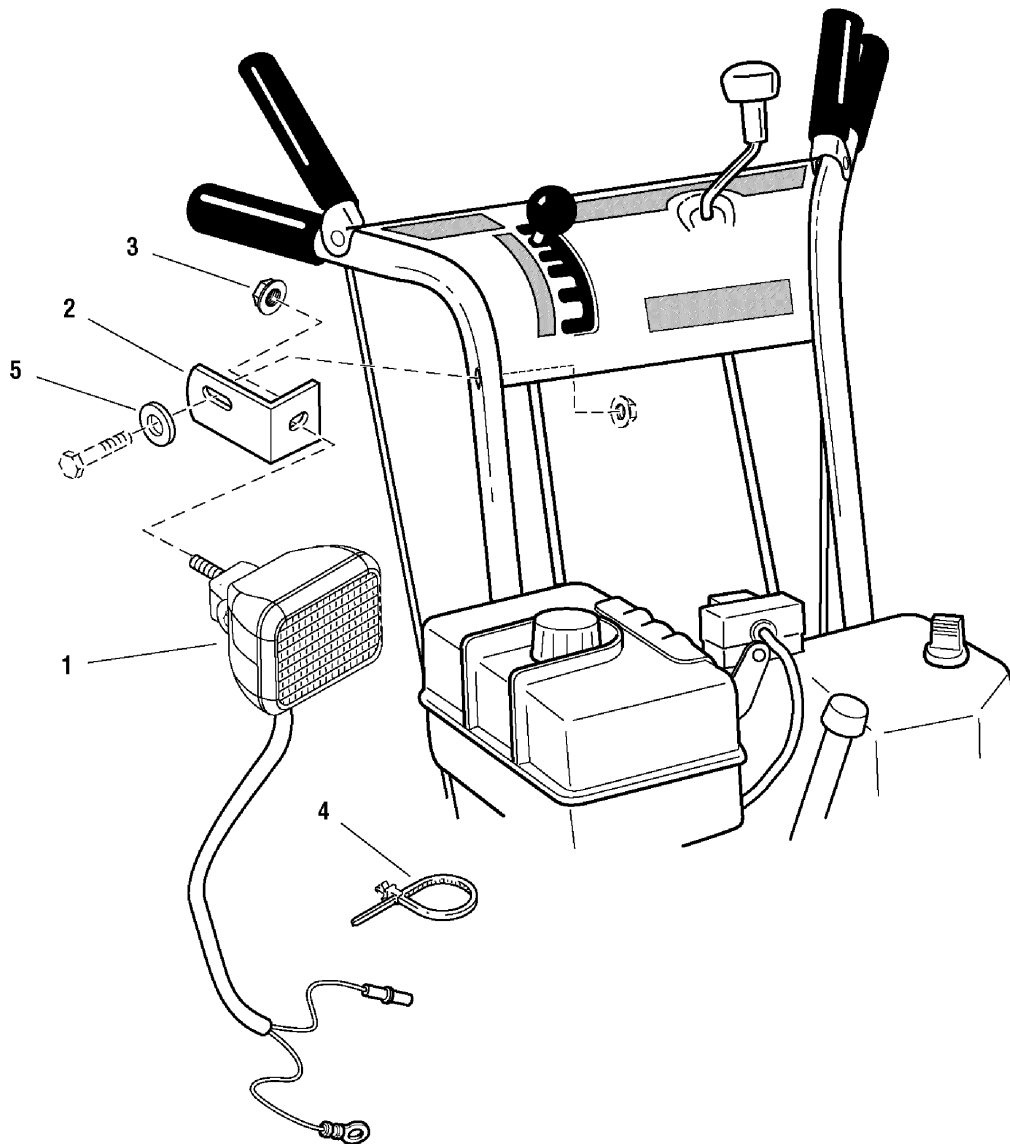


Decals Group

Item	Part No	Qty	Description	Note
1	1726945	1	DECAL, Dashboard	
1	1727022	1	DECAL, Dashboard (CE)	
2	1715557	1	DECAL, Shift Pattern	
3	1726946	1	DECAL, Auger Control	
3	1727023	1	DECAL, Auger Control (CE)	
4	1726721	1	DECAL, Snapper, Front Dash, 1-3/4 x 7-1/2	
5	1722867	1	DECAL, Handle Lubrication	
6	1716532	1	DECAL, Auger Impeller Warning	
6	1727208	1	DECAL, Auger Impeller Warning (CE)	
7	1731191	1	DECAL, Snapper, 9.5HP 24" Stripe	
7	1731192	1	DECAL, Snapper, 10.5HP 28" Stripe	
7	1731194	1	DECAL, Snapper, 11.5HP 32" Stripe	
7	1731193	1	DECAL, Snapper, 13HP 38" Stripe	
8	7071880	1	DECAL, Discharge Chute, Danger	
8	1727207	1	DECAL, Discharge Chute, Danger (CE)	
9	*	1	DECAL, Patent	<i>Not a serviceable part.</i>
10	1725072	1	DECAL, Touch Up Paint Snapper/Massey Red	
11	*	1	DECAL, OPEI Certified ANSI	<i>Not a serviceable part.</i>
12	*	2	LABEL, ID Plate	<i>Not a serviceable part.</i>
13	*	2	LABEL, Decibel (CE)	<i>Not a serviceable part.</i>

Footnotes:

Headlight Group



Headlight Group

Item	Part No	Qty	Description	Note
1	1727076	1	HEADLIGHT ASSEMBLY, Clear Rectangle	
2	1715509A	1	STRAP, Torque	
3	1960684	1	NUT, Hex Keps, 5/16-18, Conical Washer	
4	2825094	2	TIE, Self Locking	
5	1919326	1	WASHER, 5/16	

Footnotes:

Parts Manual for

SNAPPER®

TWO STAGE LARGE FRAME SNOW THROWER (2006) SERIES 7

IT IS THE POLICY OF SNAPPER TO IMPROVE ITS PRODUCTS
WHENEVER IT IS POSSIBLE AND PRACTICAL TO DO SO. WE
RESERVE THE RIGHT TO MAKE CHANGES OR ADD IMPROVEMENTS
AT ANY TIME WITHOUT INCURRING ANY OBLIGATION TO MAKE
SUCH CHANGES ON PRODUCTS MANUFACTURED PREVIOUSLY.

SNAPPER® McDonough, GA, 30253 U.S.A.