

Attachment Illustrated Parts List



Attachment

Mfg. No.	Description
1694918	Catcher, Clean Sweep Triple

Simplicity

MANUFACTURING, INC.
500 N. Spring Street / PO Box 997
Port Washington, WI 53074-0997 USA

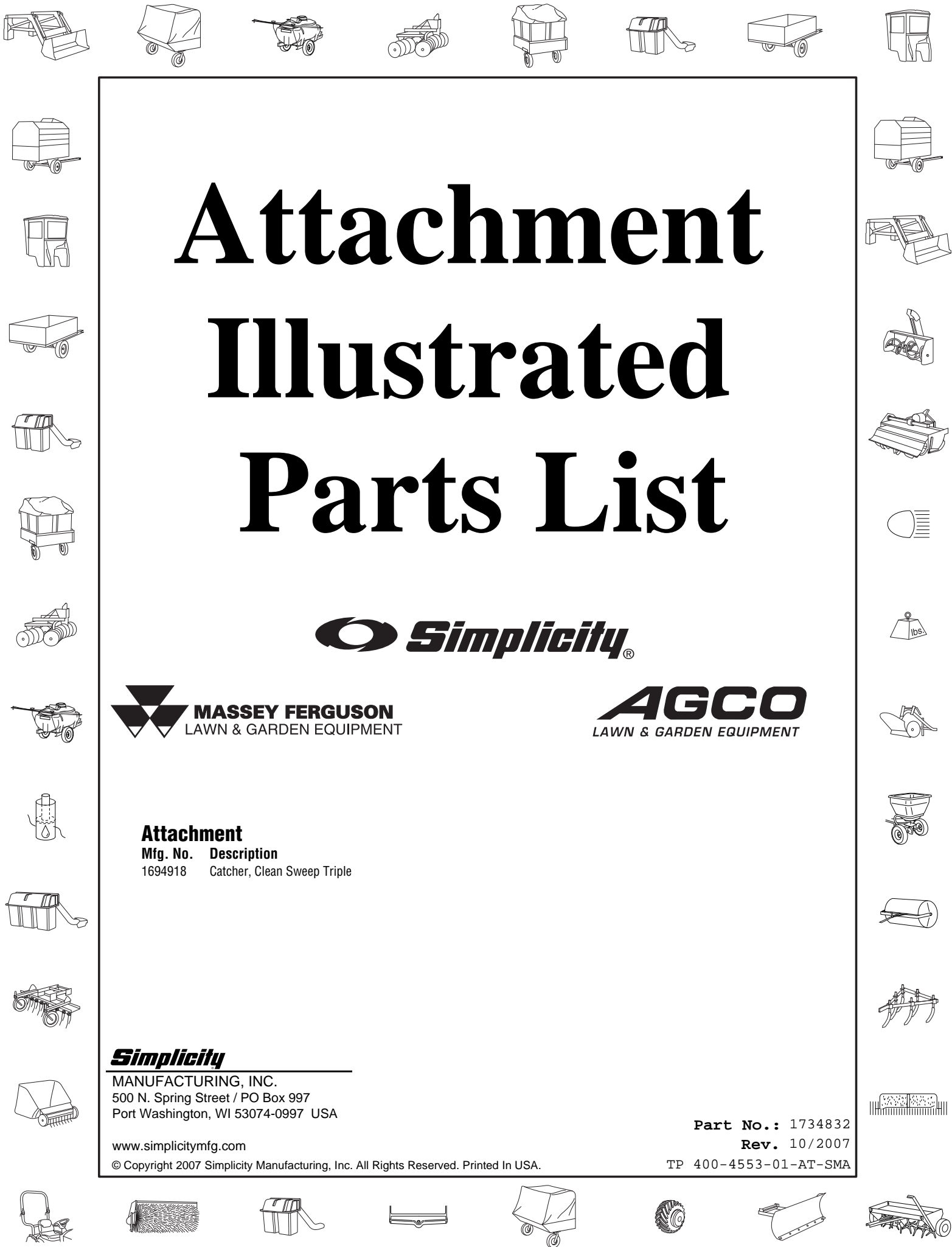
www.simplicitymfg.com

© Copyright 2007 Simplicity Manufacturing, Inc. All Rights Reserved. Printed In USA.

Part No.: 1734832

Rev. 10/2007

TP 400-4553-01-AT-SMA

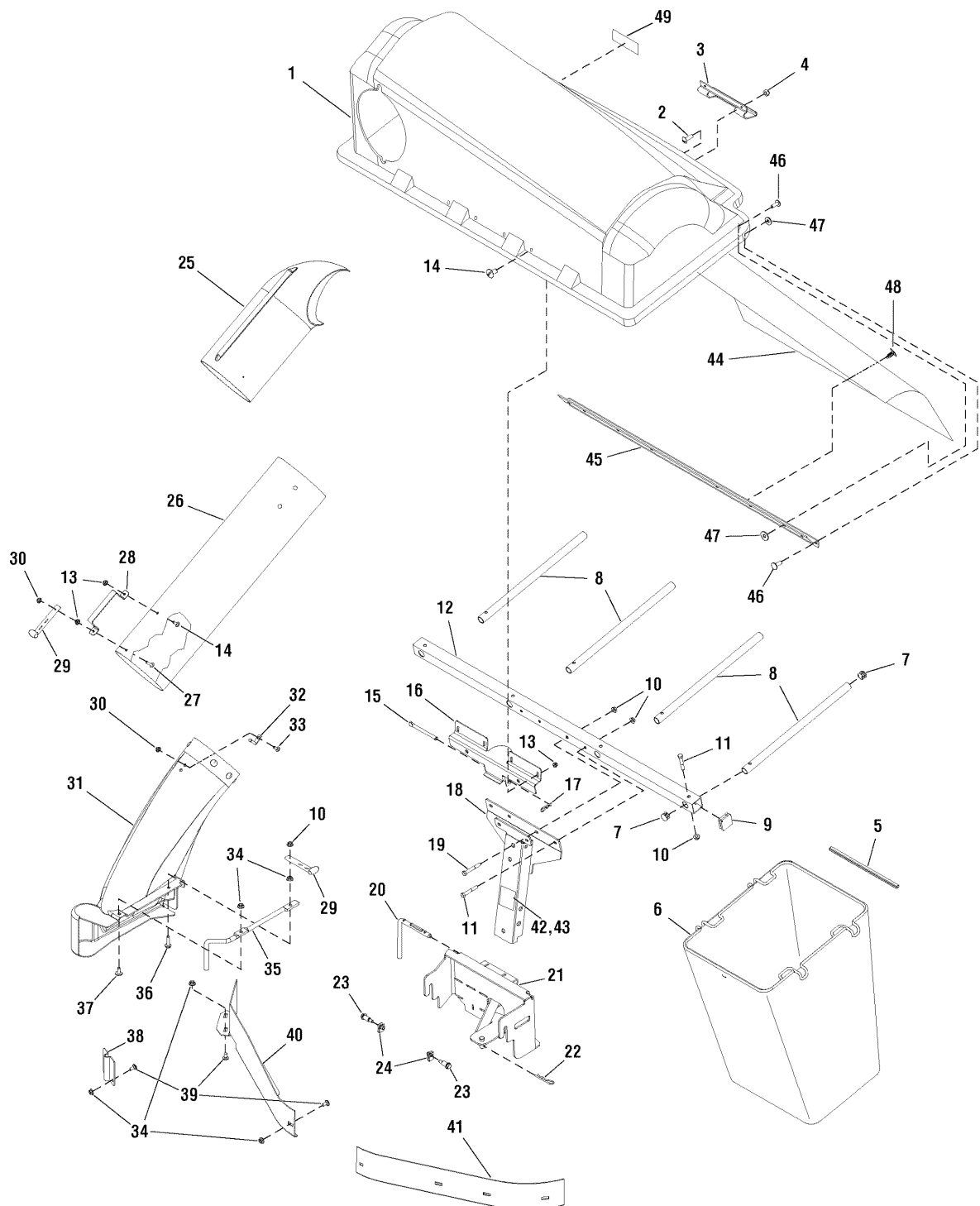


PRODUCT COMPONENTS	PAGES
Triple Catcher Assembly	4
Torque Specification Chart	Inside Back Cover

Triple Catcher Assembly

NOTE: Unless noted otherwise,
use the standard hardware torque
specification chart.

1694918



The above parts group applies to the following Mfg. Nos.:
1694918 - Catcher

Triple Catcher Assembly

REF NO	PART NO.	QTY.	DESCRIPTION
1	1732817SM	1	COVER ASSEMBLY, Triple with Decal
2	004x21MA	2	SCREW, #10 - 24 x 5/8
3	054537MA	1	HANDLE, Cover
4	1933896SM	2	LOCKNUT, #10 - 24, ESNA
5	1732870SM	3	EDGING, 11" Long PVC
6	1732351SM	3	BAG ASSEMBLY, Triple
7	054776MA	8	PLUG, Round
8	054753E701MA	4	TUBE, Round Bag
9	054777MA	2	PLUG, Square
10	1935048SM	9	NUT, Centerlock Flange, 5/16 - 18
11	1921978SM	6	CAPSCREW, 5/16 - 18 x 2
12	054761MA	1	TUBE, Square
13	1928372SM	6	LOCKNUT, 1/4 - 20, Keps
14	004x24MA	5	SCREW, 1/4 - 20 x 1/2, Slotted
15	054407ZMA	1	PIN, Cover Hinge
16	054754E701MA	1	HINGE, Cover
17	1960074SM	1	PIN, Hair
18	1732869SM	1	CHANNEL ASSEMBLY
19	1921160SM	2	CAPSCREW, 5/16 - 18 x 2-1/4
20	1732565SM	1	PIN, Channel Mount
21	1732067ASM	1	MOUNT ASSEMBLY, Channel
22	1960033SM	1	PIN, Hair
23	1728976SM	2	BOLT, Shoulder, 5/16 - 18
24	1960717SM	2	NUT, Speed, 5/16 - 18
25	1732446SM	1	ELBOW, Upper Tube
26	1732552SM	1	TUBE, Clear
27	004x71MA	1	SCREW, 1/4 - 20 x 1
28	054416ZMA	1	HANDLE, Tube
29	2171600SM	2	STRAP, Rubber
30	1930642SM	2	NUT, Centerlock Flange, 1/4 - 20
31	1731426SM	1	BOOT, 44/50" Mower
32	054563MA	1	PIN, Latch
33	1960252SM	1	BOLT, Carriage, 1/4 - 20 x 5/8
34	1927557SM	11	NUT, Whizlock Flange, 5/16 - 18
35	1731428SM	1	ROD, Boot Mount
36	1930595SM	1	SCREW, Whizlock, 5/16 - 18 x 1-1/4
37	1960371SM	1	SCREW, 5/16 - 18 x 3/4
38	1726578ASM	1	PLATE, Rod Mount
39	1931332SM	9	BOLT, Carriage, 5/16 - 18 x 5/8
40	1731990ASM	1	BAFFLE, R.H. 44"
40	1726364ASM	1	BAFFLE, R.H. 50"
41	1716879ASM	1	BAFFLE, L.H. 44"
41	1716870ASM	1	BAFFLE, L.H. 50"
42	----	1	ID LABEL/SERIAL PLATE (Not Serviceable)

Footnotes

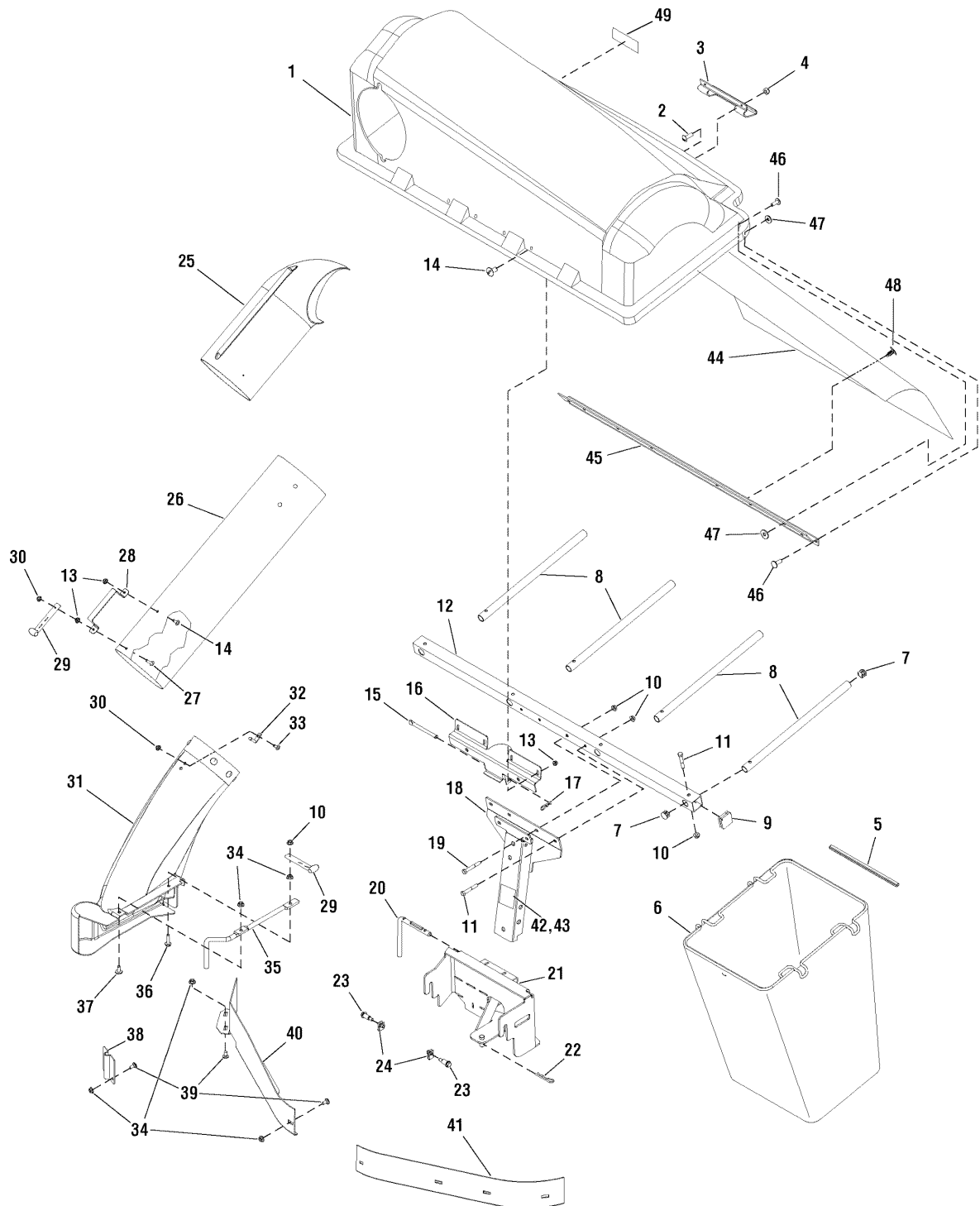
The above parts group applies to the following Mfg. Nos.:

1694918 - Catcher

Triple Catcher Assembly

NOTE: Unless noted otherwise,
use the standard hardware torque
specification chart.

1694918



The above parts group applies to the following Mfg. Nos.:
1694918 - Catcher

Triple Catcher Assembly

REF NO	PART NO.	QTY.	DESCRIPTION
43	-----	1	OVERLAY, Mylar (Not Serviceable)
44	1732492SM	1	SCREEN
45	1732493SM	1	SCREEN SUPPORT
46	1673320SM	18	RIVET, Pop
47	1910531SM	12	WASHER
48	1732490SM	5	FASTENER
49	1732819SM	1	DECAL, Cover Warning
--	1732353	1	INSTRUCTION MANUAL

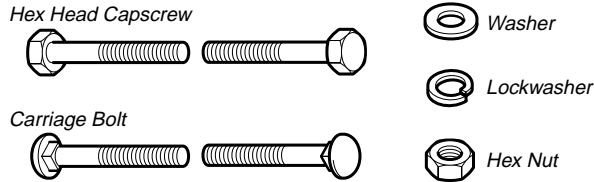
Footnotes

The above parts group applies to the following Mfg. Nos.:

1694918 - Catcher

Hardware Identification & Torque Specifications

Common Hardware Types

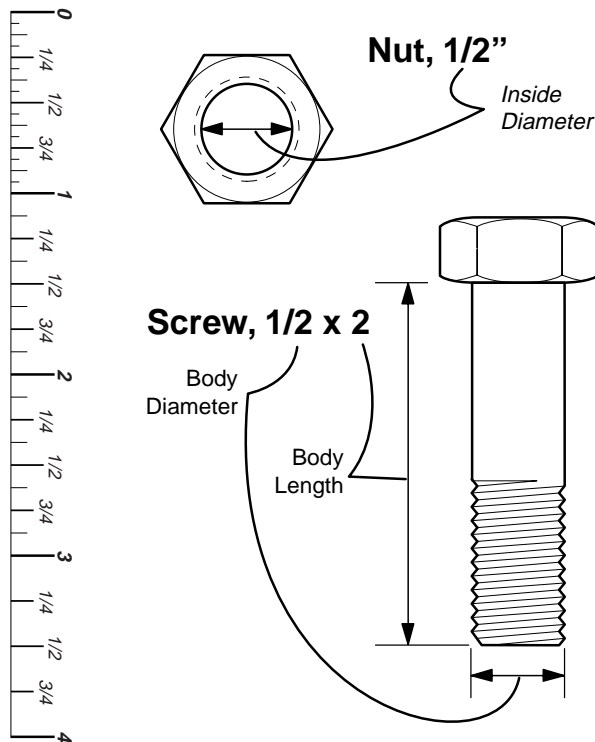


Standard Hardware Sizing

When a washer or nut is identified as **1/2"**, this is the *Nominal size*, meaning the *inside diameter* is 1/2 inch; if a second number is present it represent the *threads per inch*

When bolt or capscrew is identified as **1/2 - 16 x 2"**, this means the *Nominal size*, or *body diameter* is 1/2 inch; the second number represents the *threads per inch* (16 in this example, and the final number is the *body length* of the bolt or screw (in this example 2 inches long).

The guides and ruler furnished below are designed to help you select the appropriate hardware and tools.



Torque Specification Chart						
FOR STANDARD MACHINE HARDWARE (Tolerance ± 20%)						
Hardware Grade	No Marks SAE Grade 2		SAE Grade 5		SAE Grade 8	
	in/lbs ft/lbs	Nm.	in/lbs ft/lbs	Nm.	in/lbs ft/lbs	Nm.
8-32	19	2.1	30	3.4	41	4.6
8-36	20	2.3	31	3.5	43	4.9
10-24	27	3.1	43	4.9	60	6.8
10-32	31	3.5	49	5.5	68	7.7
1/4-20	66	7.6	8	10.9	12	16.3
1/4-28	76	8.6	10	13.6	14	19.0
5/16-18	11	15.0	17	23.1	25	34.0
5/16-24	12	16.3	19	25.8	27	34.0
3/8-16	20	27.2	30	40.8	45	61.2
3/8-24	23	31.3	35	47.6	50	68.0
7/16-14	30	40.8	50	68.0	70	95.2
7/16-20	35	47.6	55	74.8	80	108.8
1/2-13	50	68.0	75	102.0	110	149.6
1/2-20	55	74.8	90	122.4	120	163.2
9/16-12	65	88.4	110	149.6	150	204.0
9/16-18	75	102.0	120	163.2	170	231.2
5/8-11	90	122.4	150	204.0	220	299.2
5/8-18	100	136	180	244.8	240	326.4
3/4-10	160	217.6	260	353.6	386	525.0
3/4-16	180	244.8	300	408.0	420	571.2
7/8-9	140	190.4	400	544.0	600	816.0
7/8-14	155	210.8	440	598.4	660	897.6
1-8	220	299.2	580	788.8	900	1,244.0
1-12	240	326.4	640	870.4	1,000	1,360.0

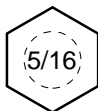
NOTES

- These torque values are to be used for all hardware excluding: locknuts, self-tapping screws, thread forming screws, sheet metal screws and socket head setscrews.
- Recommended seating torque values for locknuts:
 - for prevailing torque locknuts - use 65% of grade 5 torques.
 - for flange whizlock nuts and screws - use 135% of grade 5 torques.
- Unless otherwise noted on assembly drawings, all torque values must meet this specification.

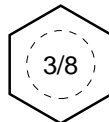
Wrench & Fastener Size Guide



1/4" Bolt or Nut
Wrench—7/16"



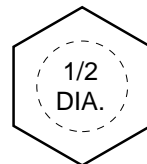
5/16" Bolt or Nut
Wrench—1/2"



3/8" Bolt or Nut
Wrench—9/16"



7/16" Bolt or Nut
Wrench (Bolt)—5/8"
Wrench (Nut)—11/16"



1/2" Bolt or Nut
Wrench—3/4"

