

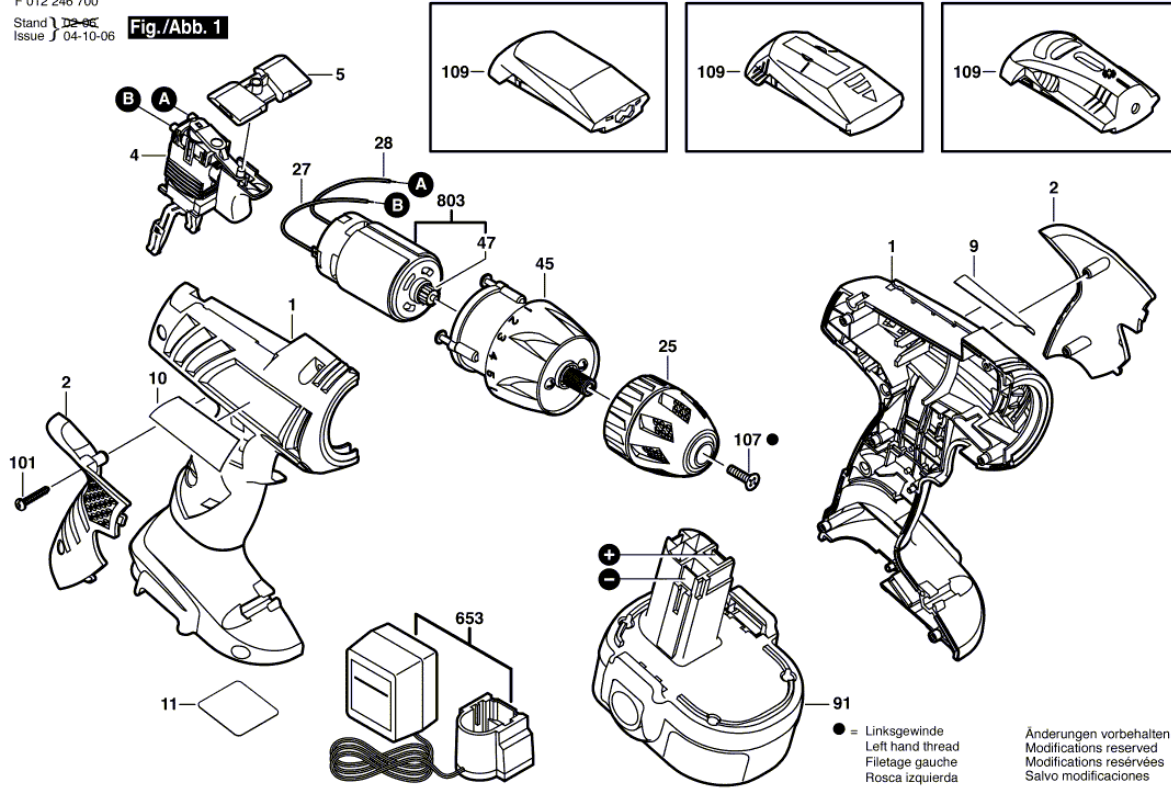


# F 012 286 700 CORDLESS DRILL DRIVER 2867

20.09.2006  
22:59:26

F 012 246 700  
Stand 12-06  
Issue J 04-10-06

**Fig./Abb. 1**



● = Linksgewinde  
Left hand thread  
Filetage gauche  
Rosca izquierda

Anderungen vorbehalten  
Modifications reserved  
Modifications réservées  
Salvo modificaciones

Item	Quantity	Order No.	Designation	Price group	Page
1	1	2 609 100 158	HOUSING COVER		1
2	1	2 609 100 149	CAP-HANDLE		1
4	1	2 607 200 465	ON-OFF SWITCH		1
5	1	2 609 100 167	REVERSE-TRANSFER LEVER		1
9	1	2 609 130 459	REFERENCE PLATE		1
10	1	2 609 130 477	NAMEPLATE		1
11	1	2 609 130 462	PLATE		1
25	1	2 610 912 703	KEYLESS CHUCK		1
27	1	2 609 120 085	CONNECTING CABLE		1
28	1	2 609 120 086	CONNECTING CABLE		1
45	1	2 609 110 194	EPICYCLOIDAL GEAR TRAIN		1
47	1	2 609 110 097	PINION		1
91	1	2 607 335 513	BATTERY PACK \ 18V,1,2Ah,NiCd		1
101	8	2 609 110 201	TORX FLAT-HEAD SCREW		1
107	1	2 603 421 228	COUNTERSUNK-HEAD SCREW \ M 5x20 MM		1
109	1	2 609 100 190	SUPPORT		1
109	1	2 610 916 434	METAL DETECTOR		1
109	1	2 610 924 650	SPIRIT LEVEL		1
653	1	2 607 224 633	CHARGER \ USA/CAN 120/18V, 5h		1
653	1	2 607 224 995	CHARGER \ USA/CAN 120/18V, 5h		1
803	1	2 609 120 031	ALTERNATING-CURRENT MOTOR \ 18V		1

