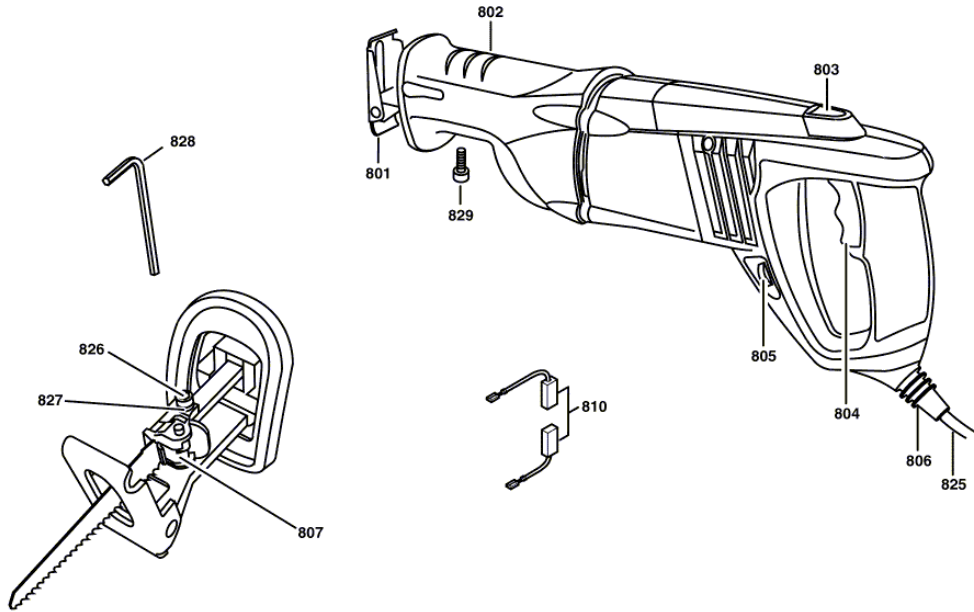




# F 012 925 000 RECIPROCATING SAW 9250

21.09.2006  
00:03:23

F 012 925 000  
Issue } 03-06-04  
Stand } **Fig./Abb. 1**



Modifications reserved  
Änderungen vorbehalten  
Modificaciones reservadas  
Salvo modificaciones

Item	Quantity	Order No.	Designation	Price group	Page
801	1	2 610 920 263	BASE		1
802	1	2 610 920 264	RUBBER		1
803	1	2 610 917 580	CONTAINER		1
804	1	2 610 917 581	SWITCH		1
805	1	2 610 917 582	GOVERNOR		1
806	1	2 610 917 583	SPARE PART		1
807	1	2 610 920 265	BLADE HOLDER		1
810	1	2 610 917 585	CARBON-BRUSH SET		1
825	1	3 604 460 555	MAINS CONNECTION CABLE \ USA/CDN 2,15m 2 x 0,82mm SJ 18/2		1
826	1	3 603 410 505	THREAD-FORMING TAP. SCREW		1
827	1	2 916 683 006	SPRING LOCK WASHER \ DIN 127-B 5		1
828	1	1 907 950 005	OFFSET SCREWDRIVER \ DIN 911, SW4		1
829	2	2 910 145 154	SCREW \ DIN 912-M5x12-8.8		1

