

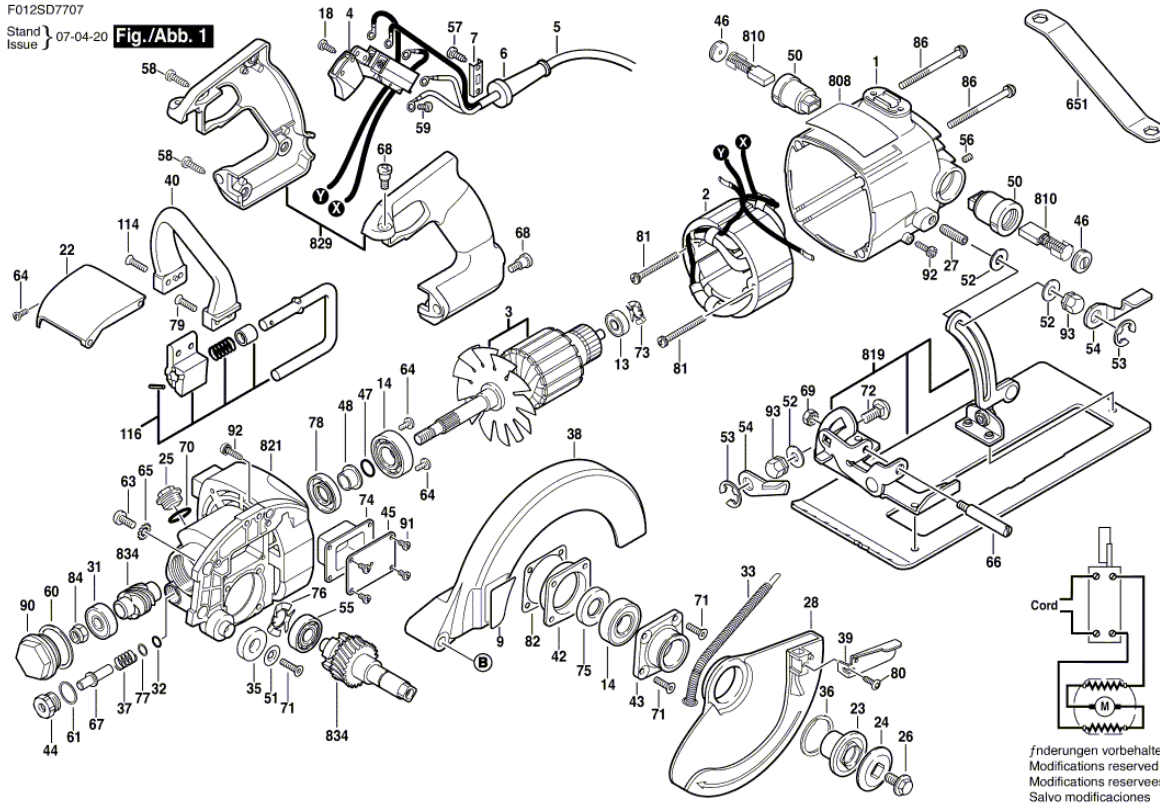


# F 012 SD7 702 CIRCULAR SAW SHD77M

31.05.2007  
22:39:06

F012SD7707  
Stand Issue } 07-04-20

Fig./Abb. 1



Änderungen vorbehalten  
Modifications reserved  
Modificaciones reservées  
Salvo modificaciones

Item	Quantity	Order No.	Designation	Price group	Page
1	1	1 619 X01 155	MOTOR HOUSING		1
2	1	1 619 P02 674	FIELD		1
3	1	2 610 931 892	ARMATURE		1
4	1	1 619 X01 273	ON-OFF SWITCH		1
5	1	1 619 X01 570	CORD		1
6	1	1 619 X00 943	GROMMET		1
7	1	1 619 X01 274	FASTENING CLAMP		1
9	1	1 619 X01 998	LABEL		1
13	1	2 610 017 348	DEEP-GROOVE BALL BEARING		1
14	2	2 610 024 748	BALL BEARING		1
18	1	2 610 901 971	SCREW		1
22	1	1 619 X01 208	HOOD		1
23	1	1 619 X01 249	WASHER		1
24	1	1 619 X01 251	WASHER		1
25	1	1 619 X01 259	OIL DRAIN PLUG		1
26	1	2 610 000 050	BOLT		1
27	1	1 619 X01 262	STUD		1
28	1	1 619 X01 182	PIVOTING BLADE GUARD		1
31	1	2 610 017 875	BALL BEARING		1
32	1	2 610 015 726	RING		1
33	1	2 610 911 148	SPRING		1
35	1	2 610 319 494	BUFFER		1
36	1	2 610 341 359	RETAINING RING		1
37	1	2 610 023 394	SPRING		1
38	1	1 619 X01 173	UPPER HOUSING		1
39	1	1 619 X01 237	LEVER		1
40	1	1 619 X01 205	HANDLE		1
42	1	1 619 X01 253	BEARING PLATE		1
43	1	1 619 X01 255	PLATE		1
44	1	1 619 X01 271	BUSHING		1
45	1	1 619 X01 228	COVER		1
46	2	1 619 X01 268	CAP		1
47	1	2 610 044 638	RING		1
48	1	1 619 X01 272	COLLAR		1
50	2	1 619 X01 267	BRUSH HOLDER		1
51	1	2 610 004 341	DISC		1
52	3	2 610 912 616	PLAIN WASHER		1
53	2	2 610 968 747	RETAINING RING		1
54	2	1 619 X01 235	LEVER		1
55	1	2 610 000 166	BALL BEARING		1
56	2	2 610 027 039	FITTING SCREW		1
57	2	2 610 315 299	SCREW		1
58	4	2 610 315 380	SCREW		1
59	1	1 619 P01 537	SCREW		1
60	1	2 610 023 331	WASHER		1
61	1	2 610 025 067	WASHER		1
63	2	2 610 329 955	SCREW		1
64	4	1 619 X01 786	CONTACT SCREW		1
65	2	2 610 306 355	WASHER		1
66	1	1 619 X01 263	SCREW		1
67	1	1 619 X01 298	BEARING BOLT		1

68	4	2 610 932 332	SCREW	1
69	1	2 610 932 460	LOCK NUT	1
70	1	2 610 044 639	O-RING	1
71	5	2 610 027 002	SCREW	1
72	1	2 610 016 325	ADJUSTING BOLT	1
73	1	2 610 004 459	WASHER	1
74	1	1 619 X01 257	RUBBER GASKET	1
75	1	2 610 025 245	SEAL	1
76	1	2 610 931 237	SPRING WASHER	1
77	1	2 610 017 016	DISC	1
78	1	2 610 329 927	SNAP RING	1
79	2	2 610 993 549	SCREW	1
80	1	1 619 X00 939	SCREW	1
81	2	2 610 329 950	SELF-TAPPING SCREW	1
82	1	1 619 X01 258	GASKET	1
84	1	2 610 318 324	NUT	1
86	4	2 610 329 953	SELF-TAPPING SCREW	1
90	1	1 619 X01 260	BEARING COVER	1
91	4	2 610 353 289	SELF-TAPPING SCREW	1
92	2	2 610 932 218	SCREW	1
93	2	1 619 X01 283	CAP NUT	1
114	2	2 610 911 890	SCREW	1
116	1	1 619 X01 267	BRUSH HOLDER	1
651	1	2 610 000 266	SCREWDRIVER	1
808	1	1 619 X02 061	MANUFACTURER'S NAMEPLATE	1
810	1	1 619 X01 351	GEAR HOUSING	1
819	1	1 619 X01 356	BASE PLATE	1
821	1	2 610 906 401	HOUSING	1
829	1	1 619 X01 364	HANDLE	1
834	1	1 619 X02 374	SET OF GEARS	1

