

Installation Instructions

Trailer Hitch Kit Part No. 5600031

Fits Ferris IS500Z, IS1500Z Series, & IS4500Z Series

Fits Snapper Pro S50X, S150X & S200X Series

Fits Simplicity Citation Series

Kit Contents:

Part No.	Qty.	Description
5401148	1	Hitch Plate Assembly
5400534A	1	Back Plate
5025013X20	4	3/8-16 x 2-1/2" Bolt
5025394	4	3/8-16 Nylock Flange Nut
5025013X10	4	3/8-16 x 1-1/4" Bolt

WARNING

Before beginning any service work turn off the PTO, set the parking brake, turn off the ignition, and disconnect the spark plug wire(s).

Ferris & Simplicity Models

1. Park machine on a flat, level surface and engage the parking brake. Disengage the PTO switch, turn off the engine and remove the key from the ignition.
2. If the engine is hot, allow sufficient time for the muffler to cool to prevent a burn injury during installation.
3. Install the 3/8-16 x 2-1/2" bolts (B) through the hitch plate (A).
4. Install the hitch plate onto the bumper with the bolts in between the bottom and middle bumper tubes.
5. Install the back plate (C) and loosely secure with the 3/8-16 nylock flange nuts (D).
6. Center the hitch plate side-to-side on the bumper and tighten the hardware securely.

Snapper Pro Models

1. Park machine on a flat, level surface and engage the parking brake. Disengage the PTO switch, turn off the engine and remove the key from the ignition.
2. If the engine is hot, allow sufficient time for the muffler to cool to prevent a burn injury during installation.
3. Install the 3/8-16 x 1-1/4" bolts (B) through the hitch plate (A).
4. Install the hitch plate onto the bumper with the bolts in the middle two slots of the center column as shown in Figure 2.
5. Install the back plate (C) and loosely secure with the 3/8-16 nylock flange nuts (D).
6. Center the hitch plate side-to-side on the bumper and tighten the hardware securely.

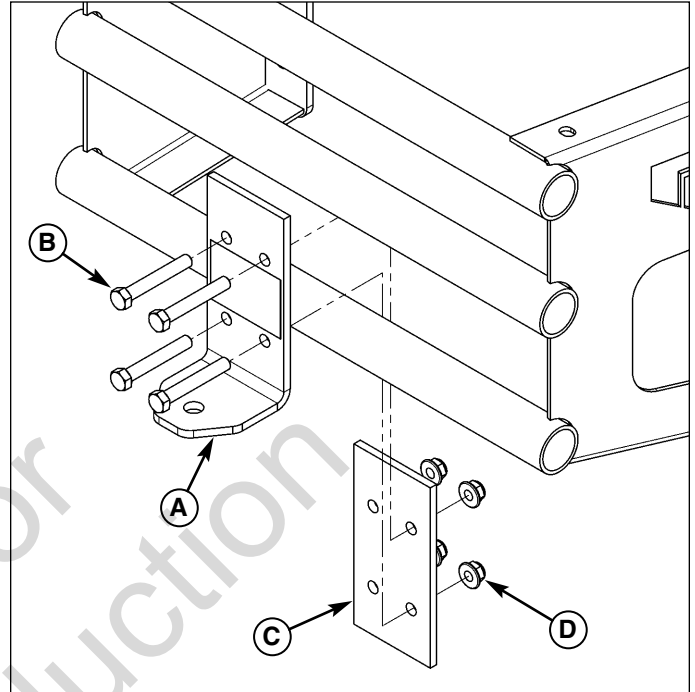


Figure 1. Install Hitch Kit (Ferris & Simplicity)

A. Hitch Plate

B. 3/8-16 x 2-1/2" Bolts (4X)

C. Back Plate

D. 3/8-16 Nylock Flange Nut (4X)

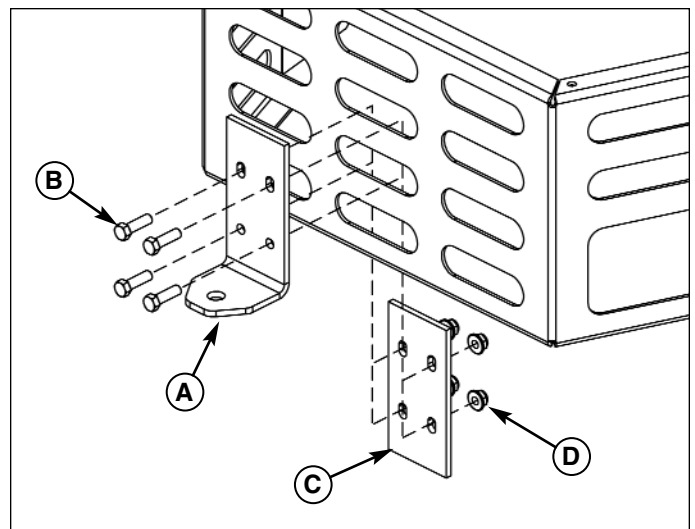


Figure 2. Installed Hitch Kit (Snapper Pro)

A. Hitch Plate

B. 3/8-16 x 1-1/4" Bolts (4X)

C. Back Plate

D. 3/8-16 Nylock Flange Nut (4X)