

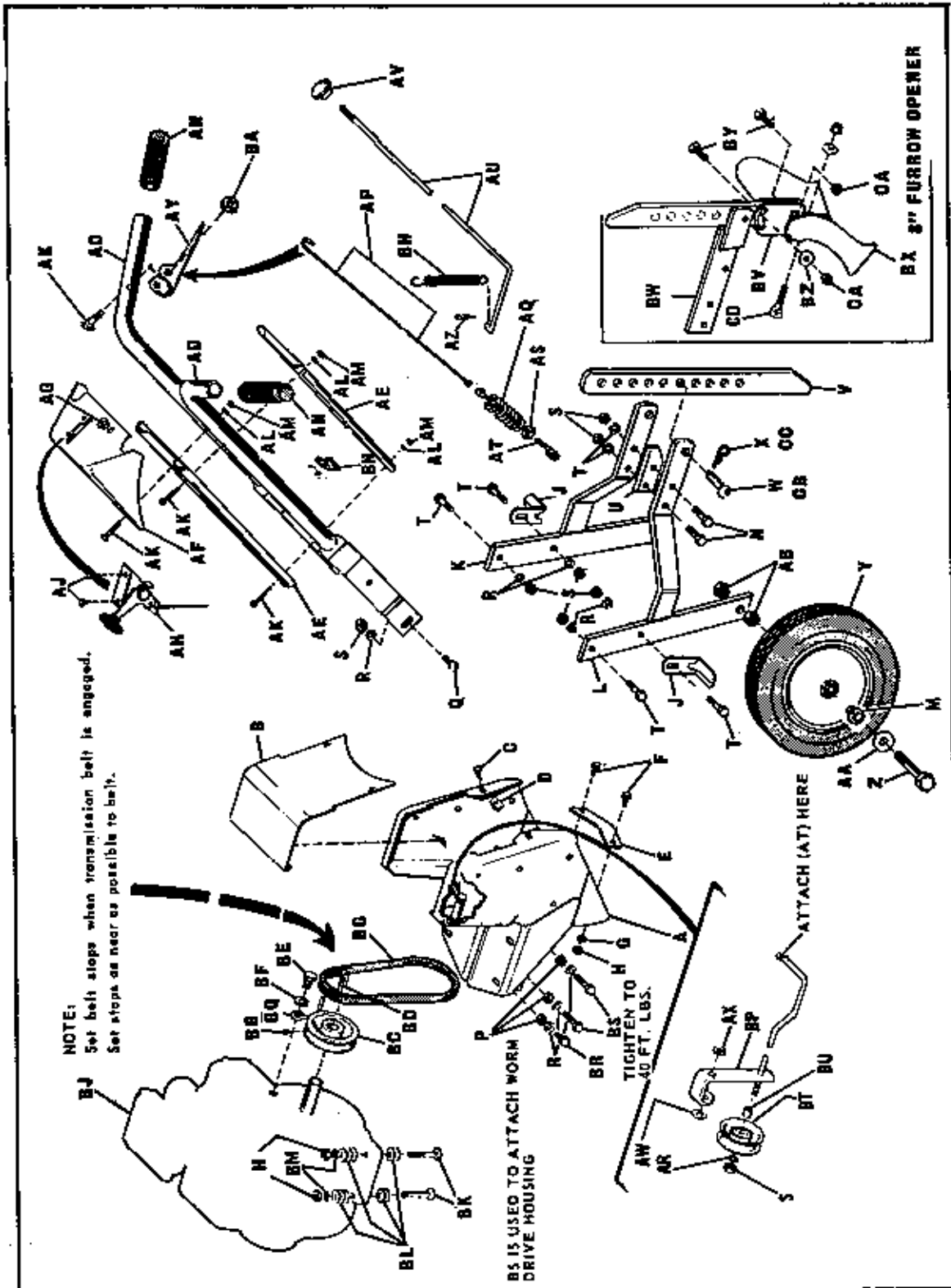
Simplicity

ROTICULS

YEAR	MODEL	PAGE
1965/68	SUPERMATIC ROTICUL MFR. NOS. 360-411	2
1964/65	SUPERMATIC ROTICUL MFR. NO. 330	6
1961/63	SUPER ROTICUL MFR. NO. 233	10
1957/63	DELUX ROTICUL MFR. NO. 107	13
1957/63	ROTARY TILLER MFR. NO. 990073	16

PRINTED IN U.S.A.

FRAME, HANDLES & CONTROLS



100
 100
 100

FRAME, HANDLES & CONTROLS

PARTS LIST

Ref. Let.	Part No.	Description
A	118343	Body Assy.
B	118241	Body Cover
C	715040	Thumb Screw
D	718026	Speed Nut
E	118208	Shaft Support
F	705012	Hex Capscrew, 5/16"-18 x 5/8" lg.
G	721501	Lock Washer, 5/16"
H	717001	Hex Nut, Full, 5/16-18
J	118220	Scraper
K	118229	Right Hand Support Assy.
L	118232	Left Hand Support Assy.
M	118132	Bushing Wheel
N	705009	Hex Capscrew, 3/8-16 x 1-1/2" lg.
P	717003	Hex Nut, Full, 3/8-16
Q	703004	Carriage Bolt, 3/8-16 x 3/4" lg.
R	720002	Lock Washer, 3/8"
S	717003	Hex Nut, Full, 3/8-16
T	705016	Hex Capscrew, 3/8-16 x 1-1/4" lg.
U	118207	Stop Plate
V	118081	Depth Bar
W	118053	Pin
X	8161045	Spring Clip
Y	118030	Wheel & Tire Assy.
Z	705037	Hex Capscrew, 1/2-13 x 3-1/4" lg.
AA	719004	Plain Washer, 1/2"
AB	717017	Hex Jam Nut, 1/2-13
AC	118344	Right Hand Handle
AD	118345	Left Hand Handle
AE	118236	Handle Cover
AF	118237	Control Housing Assy.
AG	118273	Bushing
AH	118235	Throttle Control Assy.
AJ	714016	Self-Tapping, Recessed Hex, 1/4-20 x 1/2" lg.

Ref. Let.	Part No.	Description
AK	705025	Hex Capscrew, 1/4-20 x 1-1/2" lg.
AL	720003	Lock Washer, 1/4"
AM	717005	Hex Nut, Full, 1/4-20
AN	106558	Grip
AP	118328	Spring Extension
AQ	118290	Spring
AR	720002	Lock Washer, 3/8"
AS	717023	Hex Nut Full #10-24
AT	118311	Eye Bolt
AU	118342	Reverse Rod
AV	118258	Knob
AW	153072	Washer
AX	158399	Retaining Ring
AY	118056	Grip Clutch
AZ	722002	Cotter Pin
BA	717513	Hex Nut, Full, 1/4-20
BB	713504	Set Screw, 5/16-18 x 3/8" lg.
BC	118331	Pulley
BD	8221042	Key
BE	706010	Hex Capscrew, 1/2-20 x 3/4" lg.
BF	721506	Lock Washer, Int. 1/2"
BG	118225	V-Belt
BH	159106	Spring
BJ		Engine, 4 H. P. or 5 H. P.
BK	705020	Hex Capscrew, 5/16-18 x 2" lg.
BL	719002	Plain Washer, 5/16"
BM	720001	Lock Washer, 5/16"
BN	106786	Cable Clip
BP	118341	Idler Lever Assy.
BQ	118259	Belt Stop
BR	705004	Hex Capscrew, 3/8-16 x 3/4" lg.
BS	715015	Hex Capscrew, 3/8-16 x 1-1/4" lg.
BT	154534	Pulley
BU	118335	Spacer

8" FURROW OPENER # 340

A furrow opener shovel is available which mounts on the depth bar.

You will find this shovel very handy for digging furrows for crops such as potatoes that are planted in rows. When installing the furrow opener, turn the depth bar upside down.

Ref. Let.	Part No.	Description
BV	8271503	Tool Holder
BW	118287	Extension Support Assy.
BX	103010	8" Furrow Opener
BY	703002	Carriage Bolt, 3/8-16 x 1-1/4" lg.
BZ	719001	Plain Washer, 3/8"
CA	717003	Hex Nut, Full, 3/8-16
CB	118053	Pin
CC	8161045	Spring Clip
CD	704001	Bolt

TRANSMISSION & TINES PARTS LIST

Ref. Let.	Part No.	Description
A	118317	Worm Drive Housing
B	118326	Worm Shaft
C	118330	Worm
D	725502	Key
E	118060	Spacer
F	118011	Ball Bearing
G	118178	Washer
H	118072	Bushing
J	118117	Oil Seal
K	118094	Snap Ring
L	118061	Retaining Ring
M	719002	Plain Washer, 5/16"
N	720002	Lock Washer, 3/8"
P	715004	Hex Capscrew, 3/8-24 x 1" lg.
Q	118179	Cup
R	118316	Cover
S	118024	Gasket
T	715018	Hex Capscrew, 1/4-20 x 5/8" lg.
U	720003	Lock Washer, 1/4"
V	118020	Needle Bearing
W	118118	Oil Seal
X	118021	Worm Shaft
Y	118337	Worm Gear
Z	725005	Key
.A	118082	Washer
AB	726003	Pipe Plug, 3/8
AC	118221	Gear Case
AD	118117	Oil Seal
AE	156084	Oil Seal
AF	118248	Pulley & Shaft Assembly
AG	118240	Retainer Ring
AH	118271	Special Washer
AJ	118278	Key
AK	118360	Shift Lever Assembly
AL	103074	Shift Kit
AM	715059	Socket Hd. Screw, 10-24 x 5/8" lg.
AN	717001	Hex Nut, Full, 5/16-18
AP	118204	Pinion Shift
AQ	118262	Reverse Pinion

Ref. Let.	Part No.	Description
AR	118264	Special Washer
AS	118240	Retainer Ring
AT	118265	Pinion
AU	118201	Pinion
AV	118263	Cluster Shaft
AW	118240	Retainer Ring
AX	725003	Key
AY	118269	Special Washer
AZ	118202	Drive Gear
BA	118252	Special Washer
BB	118203	Worm Shaft Pin
BC	118253	Gasket
BD	118261	Gear Case Cover
BE	720001	Washer Lock, 5/16"
BF	705017	Hex Capscrew, 5/16-18 x 3/4" lg.
BG	726002	Pipe Plug, 1/4"
BH	118329	Arm Gear Case
BJ	723005	Roll Pin
BK	714018	Self-Tapping Screw, Hex Hd. 1/4-20 x 1-1/4" lg.
BL	714012	Self-Tapping Screw Hex Hd. 1/4-20 x 7/8" lg.
BM	720003	Lock Washer, 1/4"
BN	118083	Left Hand Inner Tine Assy.
BP	8152001	Left Hand Tine Blade
BQ	8152002	Right Hand Tine Blade
BR	706009	Hex Capscrew, 7/16-20 x 1-1/4" lg.
BS	717512	Hex Nut, Full, 7/16-20
BT	118084	Inner Tine Plate Assy.
BU	118120	Right Hand Inner Tine Blade Assy.
BV	105222	Extension, Left Hand Tine Blade Assy
BW	105221	Plate Assy., Tine Extension
BX	105223	Extension, Right Hand Tine Blade Ass
BY	118053	Pin
BZ	8161045	Spring Clip
CA	118359	Bracket
CB	118332	"O" Ring
CC	118315	Thrust Washer

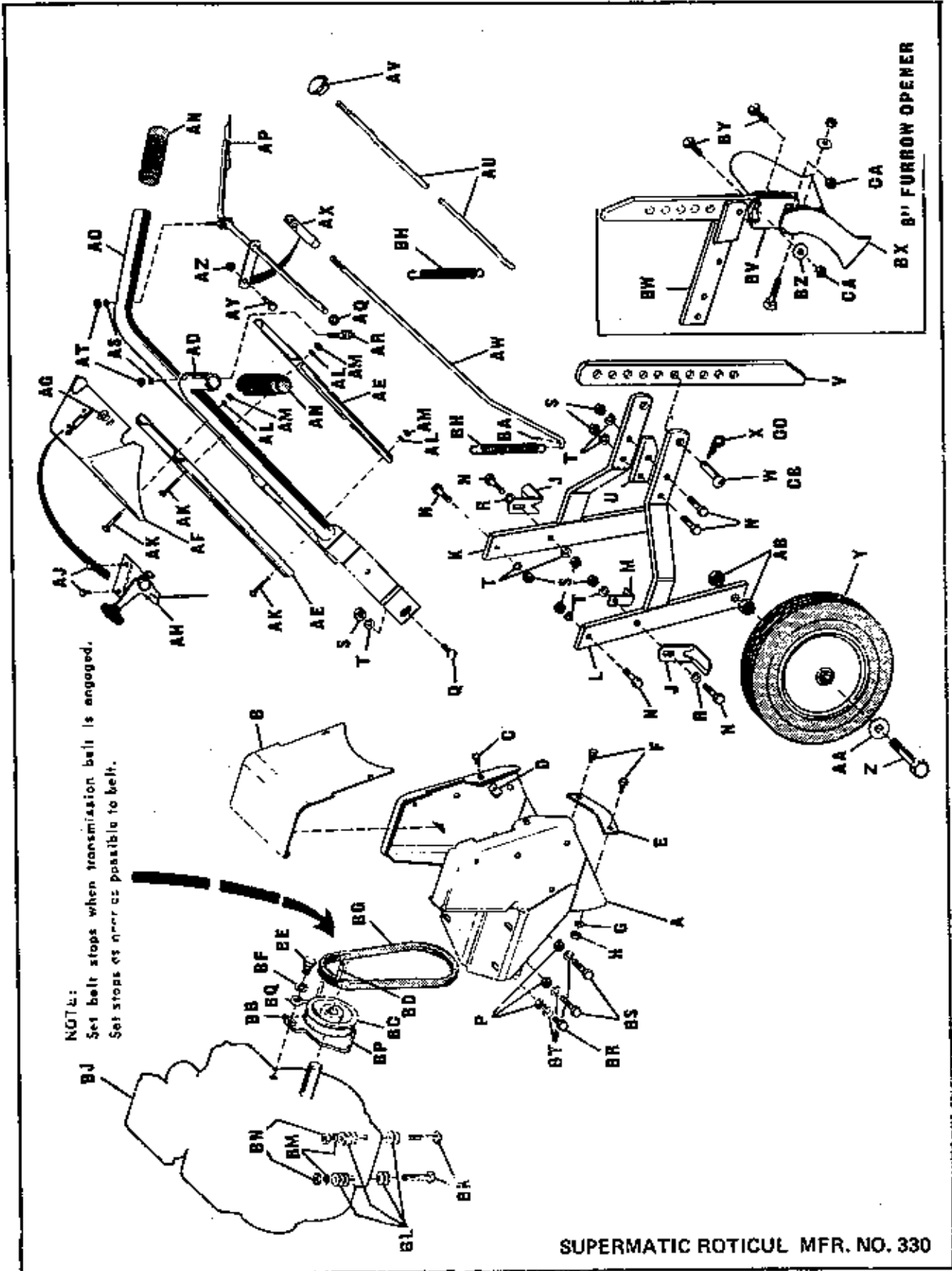
TINE EXTENSION SET Mfr's. No. 212

The tine extension set consists of two tine extensions that are a left hand and right hand assembly. These will allow an increase from the standard 22-1/2" tilling width, to a width of 32-1/2". To install the extension tines, place long hubs of extension tines over hubs of tines previously installed, and secure with pin and spring clip. Be sure the extension tines are so mounted that the sharp edges of the tines on top face forward.

DECALS

- 118279 - Instructions
- 118280 - Film Tiller Clutch
- 118281 - Film Tiller Gear Shift
- 118282 - Film Roticul
- 118352 - Emblem S - 5 HP
- 106514 - Emblem S - 4 HP

FRAME, HANDLES & CONTROLS



FRAME, HANDLES & CONTROLS

PARTS LIST

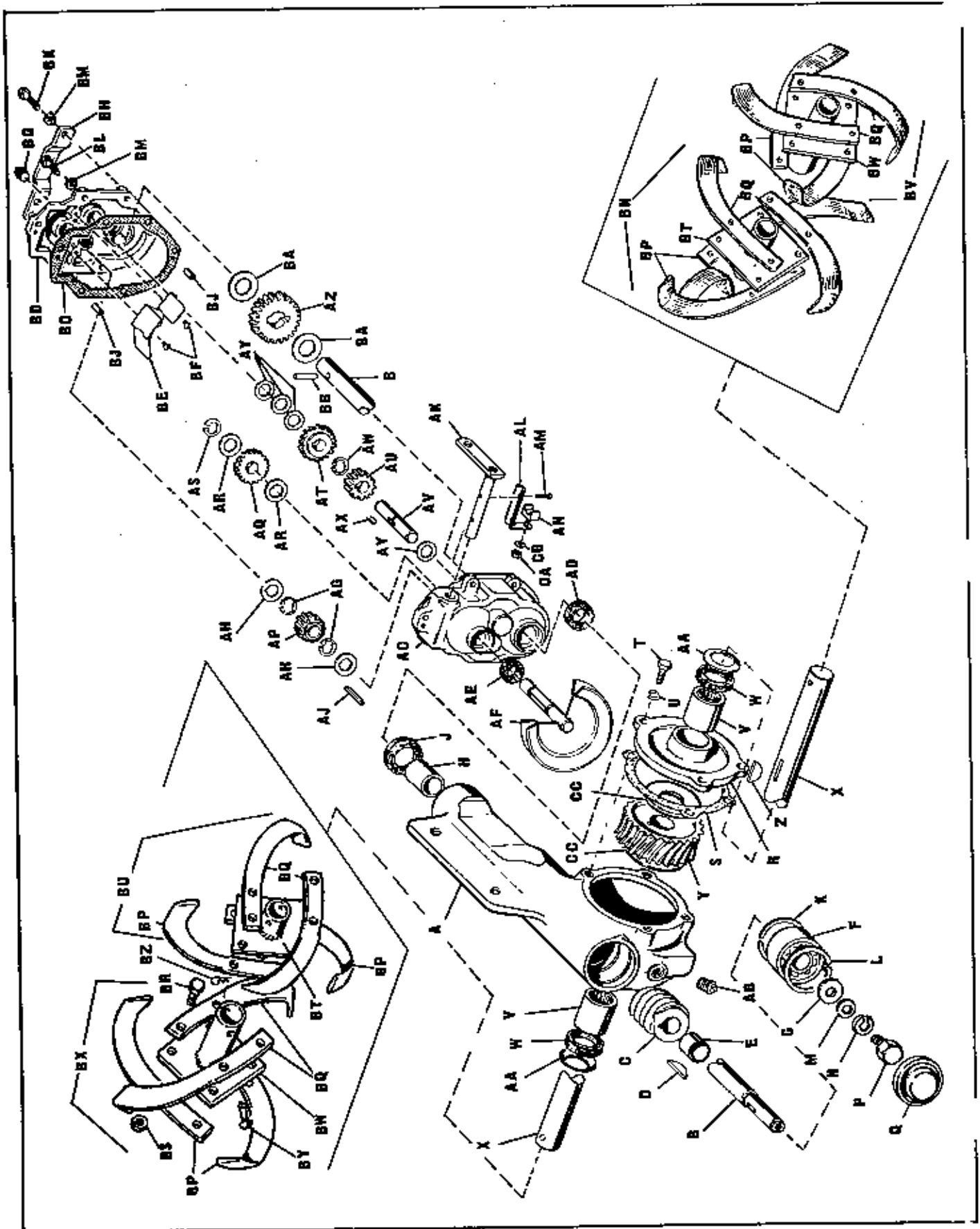
Ref. No.	Part No.	Description	Ref. No.	Part No.	Description
A	118242	Body Assembly	AK	705025	Hex Capscrew, 1/4-20 x 1-1/2" lg.
B	118241	Body Cover	AL	720003	Lock Washer, 1/4"
C	715040	Thumb Screw	AM	717005	Hex Nut, Full, 1/4-20
D	718026	Speed Nut	AN	106558	Grip
E	118208	Shaft Support	AP	118320	Clutch Handle Assembly
F	705012	Hex Capscrew, 5/16-18 x 5/8" lg.	AQ	118210	Special Washer
G	721501	Lock Washer, 5/16"	AR	118209	Special Screw
H	717001	Hex Nut, Full, 5/16-18	AS	720003	Lock Washer, 1/4"
J	118220	Scraper	AT	717005	Hex Nut, Full, 1/4-20
K	118229	Right Hand Support Assembly	AU	118256	Reverse Rod
L	118232	Transmission Stop	AV	118258	Knob
M	118274	Stop Plate	AW	118257	Clutch Rod
N	705009	Hex Capscrew, 3/8-16 x 1-1/2" lg.	AX	118275	Clevis
P	717003	Hex Nut, Full, 3/8"-16	AY	705007	Hex Capscrew, 5/16-18 x 1" lg.
Q	703004	Carriage Bolt, 3/8-16 x 3/4" lg.	AZ	717511	Hex Lock Nut, Full, 5/16-18
R	719001	Plain Washer, 3/8"	BA	722001	Cotter Pin, 3/32 dia. x 3/4" lg.
S	717003	Hex Nut, Full, 3/8-16	BB	713504	Set Screw
T	720002	Lock Washer, 3/8"	BC	108142	Pulley
U	118207	Stop Plate	BD	8221042	Key
V	118081	Depth Bar	BE	706017	Hex Capscrew, 1/2-20 x 1" lg.
W	118053	Pin	BF	721506	Lock Washer, Int., 1/2"
X	8161045	Spring Clip	BG	118225	V-Belt
Y	118030	Wheel & Tire Assembly	BH	159106	Spring
Z	705037	Hex Capscrew, 1/2-13 x 3-1/4" lg.	BJ	118194	Engine
AA	719004	Plain Washer, 1/2"	BK	705020	Hex Capscrew, 5/16-18 x 2" lg.
AB	717017	Hex Jam Nut, 1/2-13	BL	719002	Plain Washer, 5/16"
AC	118246	Right Hand Handle	BM	720001	Lock Washer, 5/16"
AD	118247	Left Hand Handle	BN	717001	Hex Nut, Full, 5/16-18
AE	118236	Handle Cover	BP	118224	Belt Stop
AF	118237	Control Housing Assembly	BQ	118259	Belt Stop
AG	118273	Bushing	BR	705004	Hex Capscrew, 3/8-16 x 3/4" lg.
AH	118235	Throttle Control Assembly	BS	715015	Hex Capscrew, 3/8-16 x 1-1/4" lg.
AJ	714016	Self Tapping Screw, Recessed Hex 1/4-20 x 1/2" lg.	BT	720002	Lock Washer, 3/8"

8" FURROW OPENER

Ref. No.	Part No.	Description
BV	8271503	Tool Holder
BW	118287	Extension Support Assembly
BX	103010	8" Furrow Opener
BY	703002	Carriage Bolt, 3/8-16 x 1-1/4" lg.
BZ	719001	Plain Washer, 3/8"
CA	717003	Hex Nut, Full, 3/8-16
CB	118053	Pin
CC	8161045	Spring Clip

TRANSMISSION & TINES

SUPERMATIC ROTICUL MFR. NO. 330

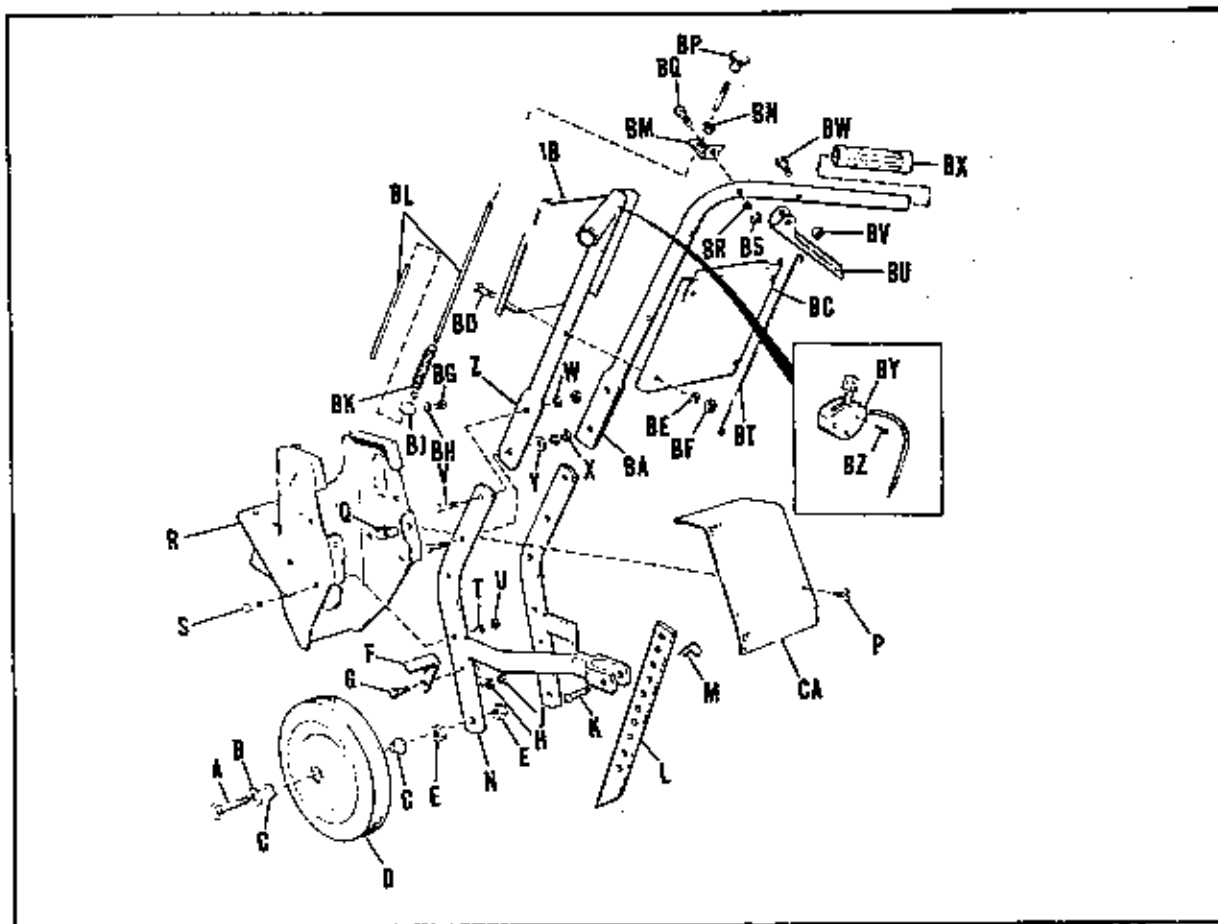


TRANSMISSION & TINES PARTS LIST

Ref. No.	Part No.	Description
A	118317	Worm Drive Housing
B	118228	Worm Shaft
C	118016	Worm
D	723502	Key
E	118060	Spacer
F	118011	Ball Bearing
G	118178	Washer
H	118072	Bushing
J	118117	Oil Seal
K	118094	Snap Ring
L	118061	Retaining Ring
M	719002	Plain Washer, 5/16"
N	720002	Lock Washer, 3/8"
P	715004	Hex Capscrew, 3/8-24 x 1" lg.
Q	118179	Cup
R	118316	Cover
S	118024	Gasket
T	715018	Hex Capscrew, 1/4-20 x 5/8" lg.
U	720003	Lock Washer, 1/4"
V	118020	Needle Bearing
W	118118	Oil Seal
X	118021	Worm Shaft
Y	118022	Worm Gear
Z	725005	Woodruff Key, #91 - 1/4" x 3/4"
AA	118082	Washer
AB	726003	Pipe Plug, 3/8"
AC	118221	Gear Case
AD	118117	Oil Seal
AE	156084	Oil Seal
AF	118248	Pulley & Shaft Assembly
AG	118240	Retainer Ring
AH	118271	Special Washer
AJ	118278	Key
AK	118266	Shift Lever Assembly
AL	118251	Shift Bracket
AM	715059	Socket Head Screw
AN	118313	Shift Fork
AP	118204	Pinion Shift
AQ	118262	Reverse Pinion

Ref. No.	Part No.	Description
AR	118264	Special Washer
AS	118240	Retainer Ring
AT	118265	Pinion
AG	118201	Pinion
AV	118263	Cluster Shaft
AW	118240	Retainer Ring
AN	725003	Woodruff Key
AY	118269	Special Washer
AZ	118202	Drive Gear
BA	118252	Special Washer
BB	118203	Worm Shaft Pin
BC	118253	Gasket
BD	118261	Gear Case Cover
BE	118285	Baffle
BF	714017	Self-Tapping Screw, Rd. Hd. #10-32 x 5/16" lg.
BG	726002	Pipe Plug, 1/4"
BH	118272	Control Arm
BJ	723005	Roll Pin
BK	714018	Self Tapping Screw, Hex Hd., 1/4-20 x 1-1/4" lg.
BL	714012	Self Tapping Screw, Hex Hd., 1/4-20 x 7/8" lg.
BM	720003	Lock Washer, 1/4"
BN	118083	Left Hand Inner Tine Blade Assy.
BP	8152001	Left Hand Tine Blade
BQ	8152002	Right Hand Tine Blade
BR	706009	Hex Capscrew, 7/16-20 x 1-1/4" lg.
BS	717512	Hex Lock Nut, Full, 7/16-20
BT	118084	Inner Tine Plate Assembly
BU	118120	Right Hand Inner Tine Blade Assy.
BV	105222	Extension, Left Hand Tine Blade Assy
BW	105221	Plate Assy., Tine Extension
BX	105223	Extension, Right Hand Tine Blade Assy
BY	118053	Pin
BZ	8161045	Spring Clip
CA	717513	Hex Lock Nut, Full, 1/4-20
CB	719007	Plain Washer
CC	118315	Thrust Washer

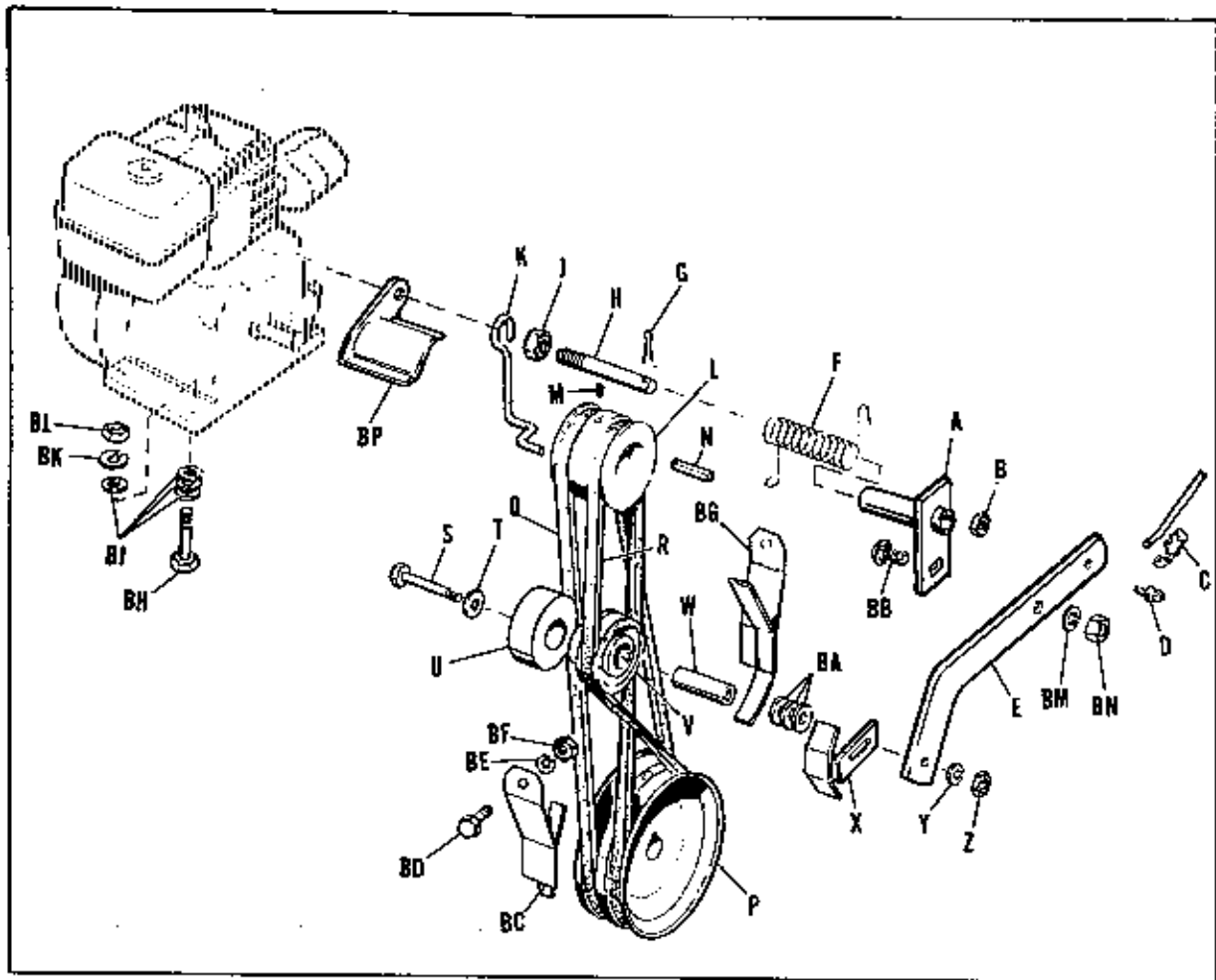
SUPER ROTICUL MFR. NO. 233



Ref. Letter	Part No.	Description
A	705037	Capscrew, Hex Hd., 1/2-13 x 3-1/4"
B	719004	Washer, Plain, 1/2"
C	118132	Wheel Bushing
D	118030	Wheel & Tire Assembly
E	717017	Hex Jam Nut, 1/2"-13
F	118135	Scraper
G	705005	Capscrew, Hex Hd., 3/8-16 x 1"
H	720002	Lock Washer, 3/8"
J	717003	Hex Nut, Full, 3/8"-16
K	118053	Pin
L	118081	Depth Bar
M	8161045	Spring Clip
N	118159	Frame Assembly
P	715040	Thumbscrew
Q	718026	Speed Nut
R	118153	Body Assembly
S	705005	Capscrew, Hex Hd., 3/8-16 x 1"
T	720002	Lock Washer, 3/8"
U	717003	Hex Nut, Full, 3/8-16
V	705005	Capscrew, Hex Hd., 3/8-16 x 1"
W	720002	Lock Washer, 3/8"
X	717003	Hex Nut, Full, 3/8-16
Y	719001	Washer, Plain, 3/8"
Z	118157	Handle, Left Hand
BA	118156	Handle, Right Hand

Ref. Letter	Part No.	Description
BB	118158	Handle Cover
BC	118168	Handle Cover
BD	705025	Capscrew, Hex Hd., 1/4-20 x 1-1/2"
BE	720003	Lock Washer, 1/4"
BF	717005	Hex Nut, Full, 1/4"-20
BG	713001	Set Screw, Sq. Hd., 1/4-20 x 3/8"
BH	719007	Washer, Plain, 3/16"
BJ	118129	Set Collar
BK	118170	Spring
BL	118103	Reverse Rod
BM	118159	Bracket, Bushing
BN	118102	Bushing
BP	118104	Reverse Knob
BQ	705025	Capscrew, Hex Hd., 1/4-20 x 1-1/2"
BR	720003	Lock Washer, 1/4"
BS	717005	Hex Nut, Full, 1/4-20
BT	118171	Extension, Spring
BU	118056	Clutch Grip
BV	717513	Hex Nut, Lock, 1/4-20
BW	705025	Capscrew, Hex Hd., 1/4-20 x 1-1/2"
BX	155038	Handle Grip
BY	118172	Throttle Control Assembly
BZ	714010	Screw, Self Tapping, #10-24 x 1"
CA	118157	Body Cover

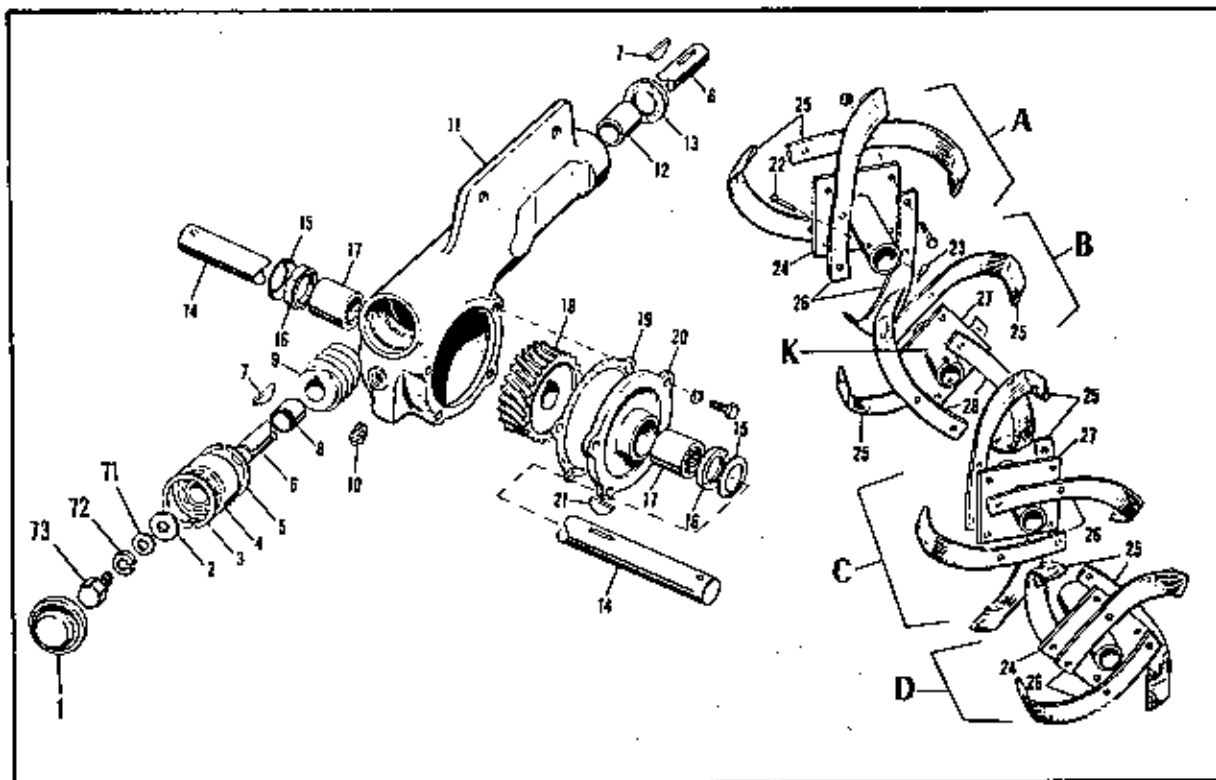
SUPER ROTICUL MFR. NO. 233



Ref. Letter	Part No.	Description
A	118150	Support Assembly, Idler Lever
B	717513	Hex Nut, Full Lock, 1/4-20
C	118108	Clip, Rod Clevis
D	118109	Scrow
E	118149	Lever, Idler
F	118110	Spring, Idler Lever
G	722006	Cotter Pin, 1/8" x 1"
H	118089	Engine Stud
J	717016	Hex Jam Nut, 1/2" NF
K	118176	Belt Stop
L	118095	Drive Pulley
M	719503	Set Screw, Socket Hd, 5/16-18 x 5/16
N	8061081	Key
P	118112	Driven Pulley
Q	118066	V-Belt, " Forward "
R	118116	V-Belt, " Reverse "
S	705013	Capscrow, Hex Hd, 3/8-16 x 3"
T	719001	Washer, Plain, 3/8"
U	101002	Pulley Assembly, Idler

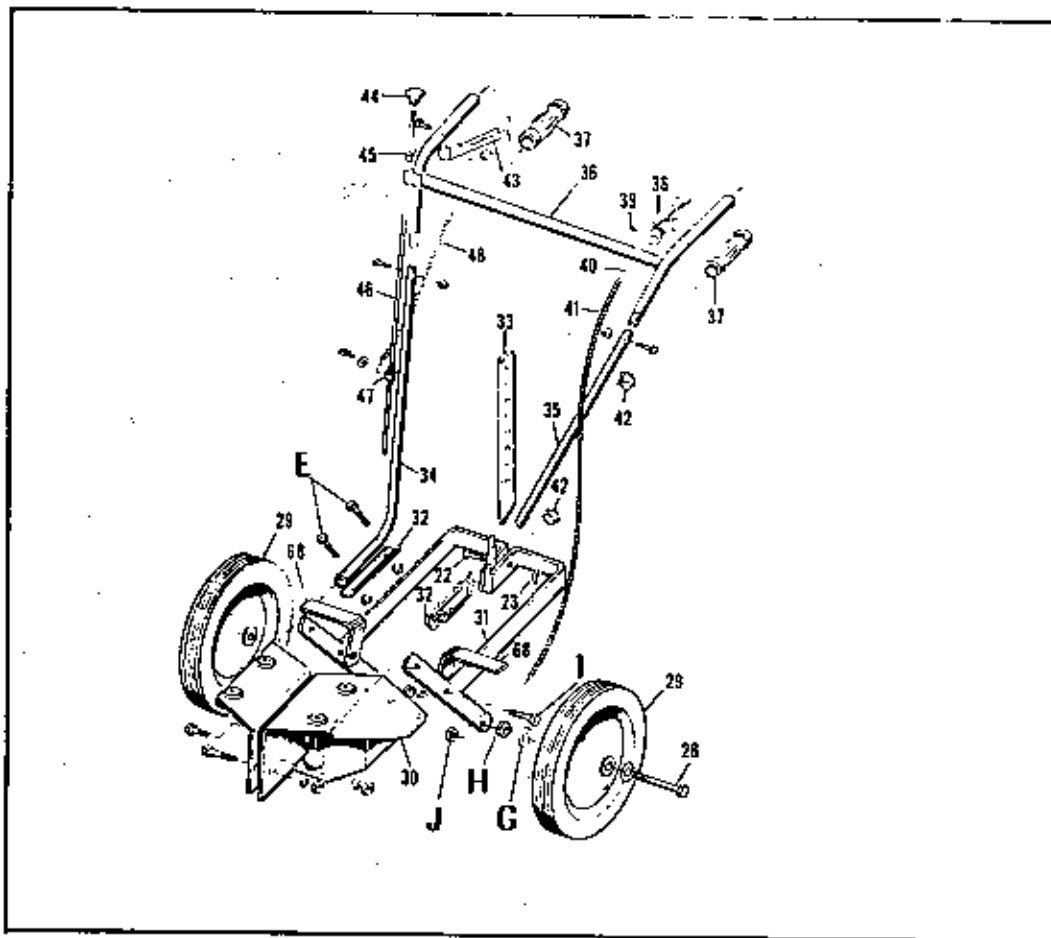
Ref. Letter	Part No.	Description
V	118090	Pulley Assembly, Reverse Idler
W	118093	Spacer
X	118188	Belt Retainer
Y	720002	Lock Washer, 3/8"
Z	717003	Hex Nut, Full, 3/8"-16
BA	719001	Washer, Plain, 3/8"
BB	702002	Carriage Bolt, 3/8-16 x 1"
BC	118186	Belt Guard
BD	705004	Capscrow, Hex Hd, 3/8-16 x 3/4"
BE	720002	Lock Washer, 3/8"
BF	717003	Hex Nut, Full, 3/8"-16
BG	118183	Guard Assembly, Reverse Belt
BH	705020	Capscrow, Hex Hd, 5/16-18 x 2"
BJ	719002	Washer, Plain, 5/16"
BK	720001	Lock Washer, 5/16"
BL	717001	Nut, Hex, Full, 5/16-18
BM	720002	Lock Washer, 3/8"
BN	717003	Hex Nut, Full, 3/8-16
BP	118180	Guard, Belt

DELUX ROTICUL MFR. NO. 107



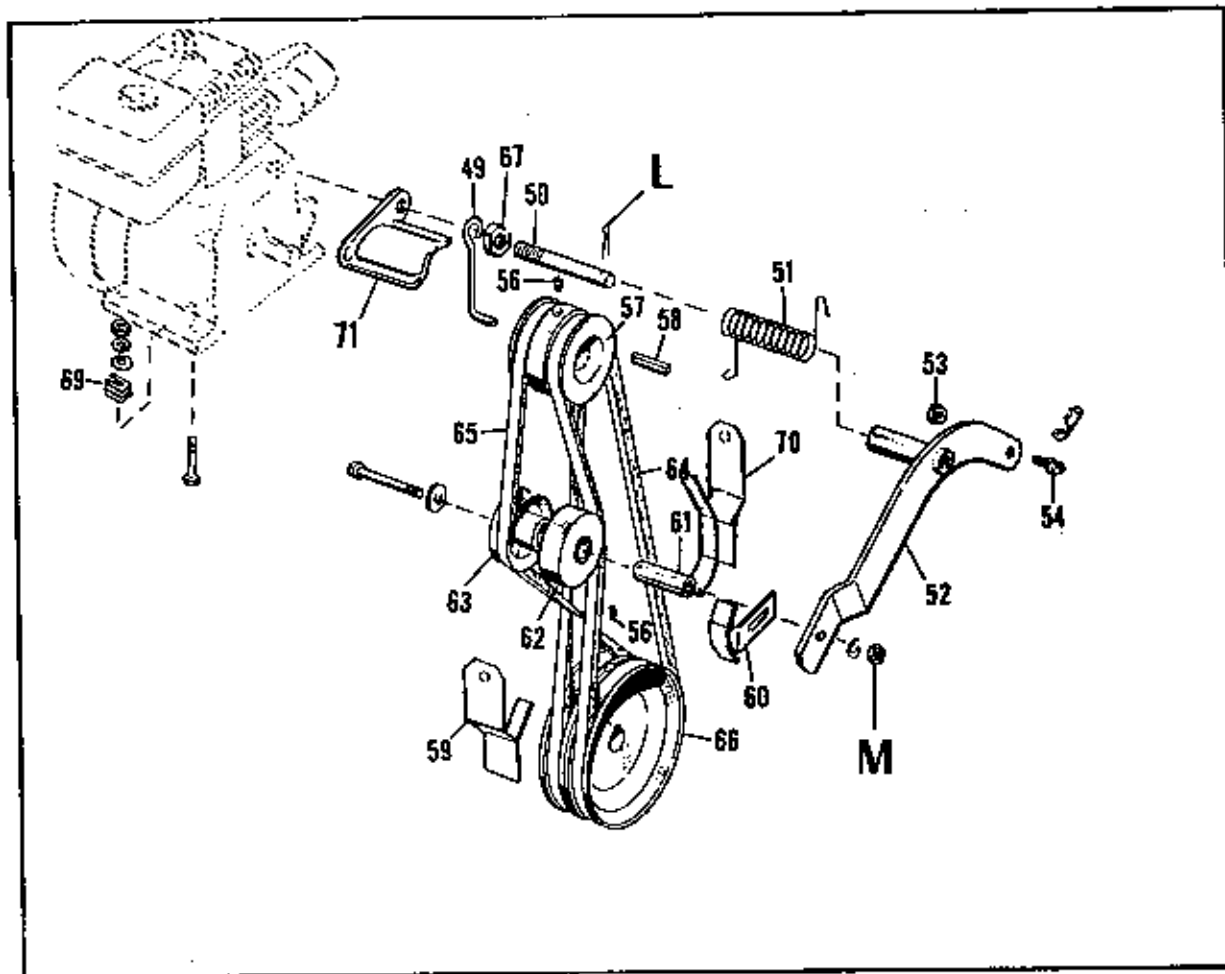
Item No.	Part No.	Description
1	118179	Cup
2	118178	Washer
3	118061	Retaining Ring
4	118011	Ball Bearing
5	118094	Snap Ring
6	118177	Worm Shaft
7	725502	Key, Hi-Pro #706
8	118060	Spacer
9	118015	Worm
10	726003	Pipe Plug, 3/8" Std.
11	118069	Worm Drive Housing
12	118072	Bushing
13	118117	Oil Seal
14	118021	Worm Gear Shaft
15	118082	Washer
16	118118	Oil Seal
17	118020	Needle Bearing
18	118022	Worm Gear
19	118024	Gasket
20	118070	Cover
21	725005	Key, Woodruff, 1/4" x 3/4"
22	118053	Pin
23	8161045	Spring Clip
24	118046	Plate Assembly, Tine Outer
25	8152001	Blade, L.H. Tine
26	8152002	Blade, R.H. Tine
27	118084	Plate Assembly, Tine Inner
71	719002	Washer, Plain, 5/16"
72	720002	Lock Washer, 3/8"
73	715004	Capscrew, Hex Head, 3/8-16 x 3/4"

DELUX ROTICUL MFR. NO. 107



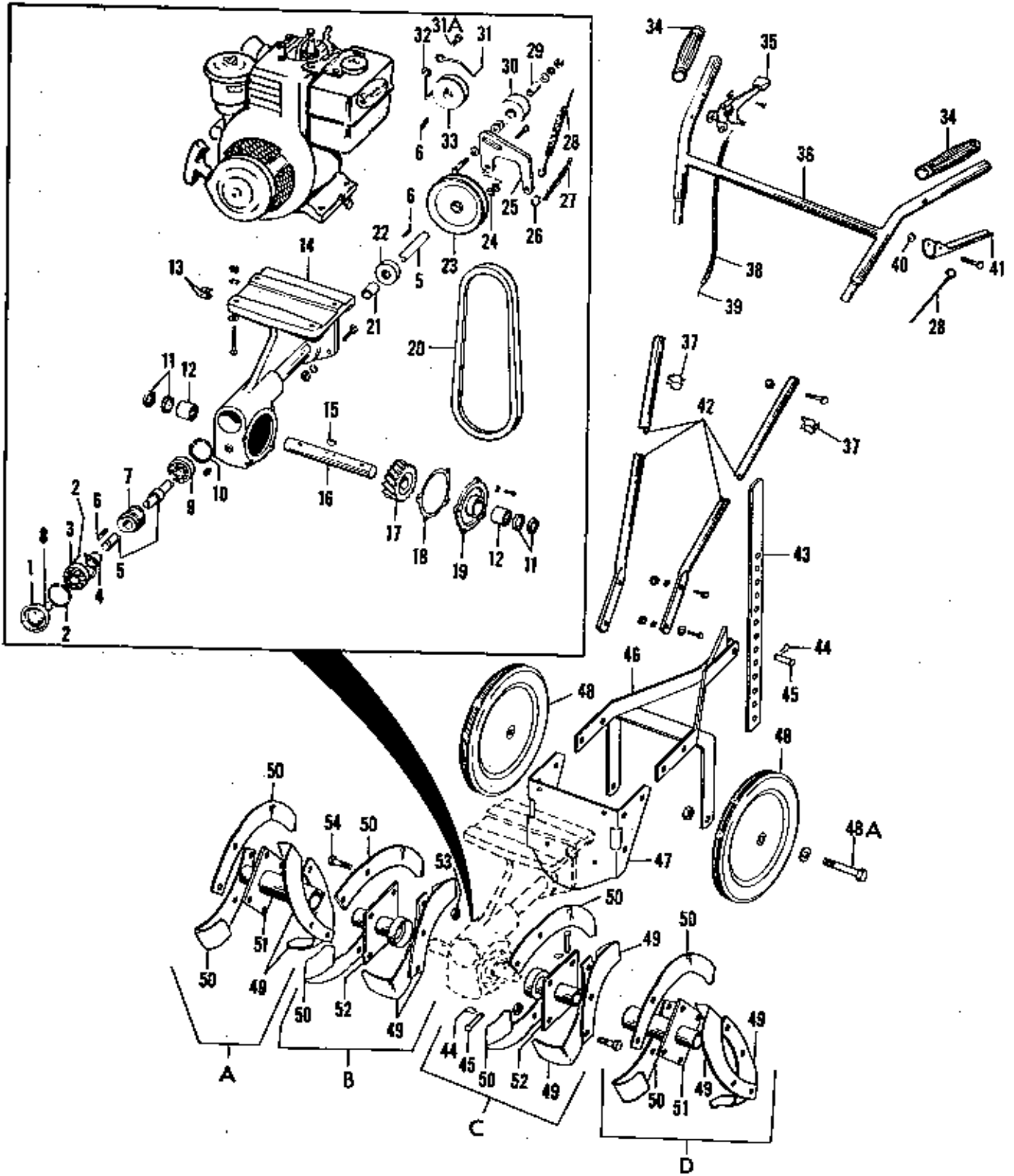
Item No.	Part No.	Description
28	705037	Capscrew, Hex Head, 1/2-13 NC x 3-1/4" lg.
29	118030	Wheel and Tire Assembly
30	118076	Bracket Assembly, Engine
31	118077	Frame Assembly, Rear
32	118119	Support, Handle
33	118081	Bar, Depth
34	118096	Handle, R. H. Lower
35	118097	Handle, L. H. Lower
36	118098	Handle Assembly, Upper
37	153043	Grip, Handle
38	8061087	Control, Throttle Lever
39	714005	Screw, Rd. Hd., Self-Tapping #10-24 x 1/2"lg.
40	118115	Throttle Wire
41	118114	Throttle Cable
42	8061108	Cable Clip
43	118056	Clutch Grip
44	118104	Knob, Reverse
45	118102	Bushing
46	118103	Rod, Reverse
47	118129	Collar
48	118128	Spring, Clutch Lever

DELUX ROTICUL MFR. NO. 107



Item No.	Part No.	Description
49	118036	Belt Stop
50	118089	Stud, Engine
51	118110	Spring, Idler Lever
52	118086	Lever Assembly, Idler
53	717513	Hex Nut, Pull Lock, 1/4-20 NC
54	118109	Screw, Eye
55	118108	Clip, Rod Clevis
56	713503	Set Screw, Hex Socket, Cup Point, 5/16-18
57	118095	Drive Pulley
58	8061081	Key
59	118191	Belt Guard
60	118192	Belt Retainer
61	118093	Spacer
62	101002	Pulley Assembly, Idler
63	118090	Pulley Assembly, Idler Reverse
64	118068	"Y" Belt, Forward
65	118116	"Y" Belt, Reverse
66	118112	Pulley, Driven
67	717016	Hex Nut, Jam, 1/2-20 NF
68	118135	Scraper
69	118130	Shim
70	118190	Guard Assembly, Reverse Belt
71	118180	Guard Belt

ROTARY TILLER MFR. NO. 990073



REPAIR PARTS LIST FOR ROTICUL

Order by Part Number

Item No.	Part No.	Name of Part	Ship. Wt.	
			Lbs.	Oz.
1	118005	Cup		6
2	118061	Retaining Ring		6
3	118011	Ball Bearing		8
4	118060	Spacer		7
5	118063	Worm Shaft Assembly	3	12
6	G-A81	Key		3
7	118016	Worm	3	
8	118043	Retaining Ring		3
9	118017	Ball Bearing		8
10	118058	Retaining Ring		6
11	118019	Oil Seal		8
12	118020	Needle Bearing		8
13	108076	Shims		1
14	118009	Worm Drive Housing	24	8
15		1/4 x 3/4 Woodruff Key, #91		6
16	118021	Worm Gear Shaft	3	6
17	118022	Worm Gear	2	4
18	118024	Gasket		6
19	118023	Cover	2	
20	SS-A101	"V" Belt		12
21	118025	Bushing		6
22	G-A53	Oil Seal		6
23	118028	Worm Pulley	4	
24		Full Lock Nut, 5, 16-18 NC		3
25	118006	Idler Lever	2	4
26	153125	Retaining Ring		5
27	118057	Chain		6
28	118038	Lever Clutch Spring	2	
29	S2-A20	Bushing		3
30	101002	Idler Pulley Assembly	1	
31	118037	Belt Stop		8
31A		Hex Head Cap Screw 1/2"-20 x 3/4"		2
32	118036	Belt Stop		6
33	118027	Engine Pulley	2	8
34	153043	Handle Grip		8
35	118044	Throttle Lever Control		8
36	118031	Upper Handle Assembly	8	
37	G-A108	Cable Clip		4
38	118040	Throttle Cable	1	
39	118041	Throttle Wire		6
40		Locknut 1/4"-20		2
41	118056	Clutch Grip		10
42	118035	Lower Handle	4	4
43	118042	Depth Bar	5	8
44	S1-A45A	Spring Clip		2
45	118053	Pin		6
46	118029	Rear Frame Assembly	10	8
47	118004	Bracket	6	8
48	118030	Wheel and Tire Assembly	5	
48A		Cap Screw 1/2"-13 x 3"		3
49	R-B2	R. H. Tine Blade	1	14
50	R-B1	L. H. Tine Blade	1	14
51	118046	Outer Tine Plate Assembly	4	
52	118050	Inner Tine Plate Assembly	4	
53		Full Lock Nut, 7/16--20 NF		2
54		Cap Screw, 7/16-20 x 1 1/4"		2
	118065	1 Qt. Can Special Worm Gear Oil	4	





Simplicity[®]



SIMPLICITY MANUFACTURING COMPANY,