

# *Simplicity*

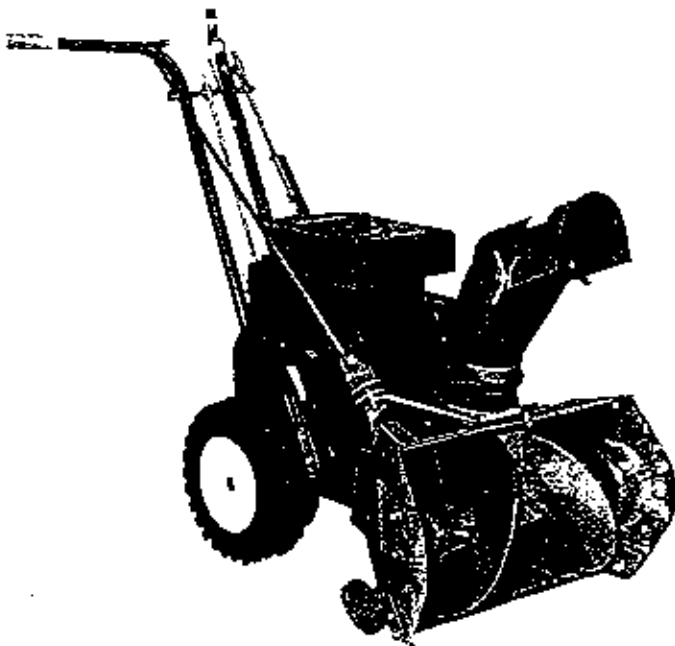
*Sno-Away*

ARTICLES

990253 990255  
990254 990256



6 hp ARTICLE 990253  
ARTICLE 990254



4 hp ARTICLE 990255  
ARTICLE 990256

SIMPLICITY MANUFACTURING COMPANY / PORT WASHINGTON, WIS.

**TP - 1246**

## Assembly

To assemble the Snow Flow, follow the sequence of steps as outlined below:

1. Fasten the right and left handles to the mounting brackets as shown in Figure 1. Use hex capscrews, flat washers, lockwashers, and hex nuts and tighten securely in place.

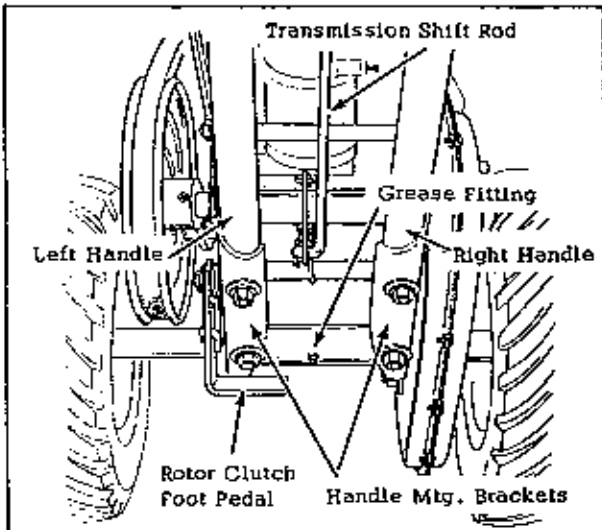


Fig. 1

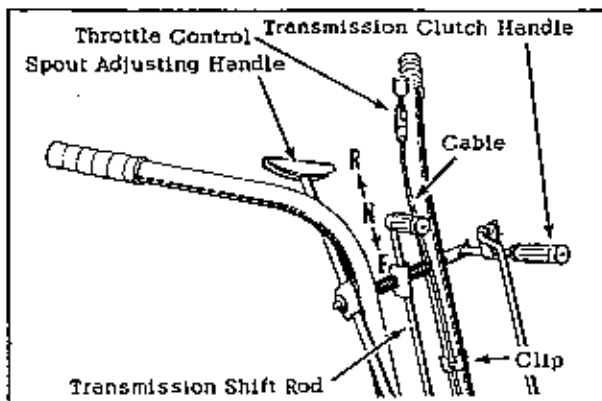


Fig. 2

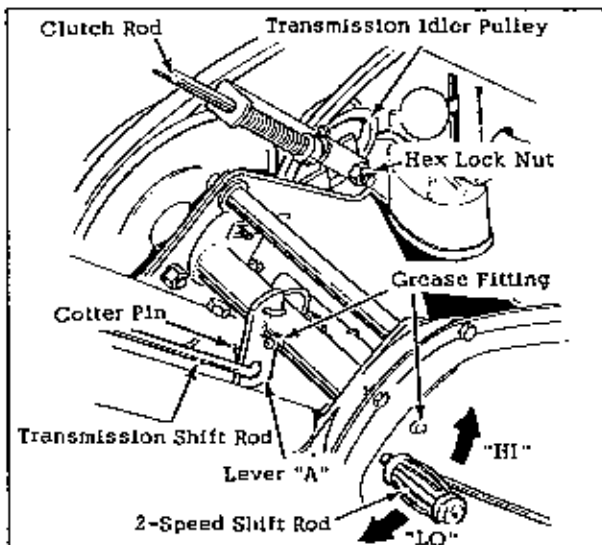


Fig. 3

2. Attach the spout adjusting handle, shift rod, and clutch rod to the upper end of the handles as shown in Figure 2.
3. Connect the lower end of the shift rod to lever "A" shown in Figure 3. Secure with a cotter pin.
4. Connect the lower end of the clutch rod to the idler pulley using hex lock nut as shown in Figure 3. The lock nut should be tight enough to remove side play but loose enough to allow the bracket to pivot freely.
5. Apply a coating of light oil to the neck of the discharge spout mounting collar, and install the spout in place on the rotor housing as shown in Figure 4. The application of oil is necessary to prevent rust and to allow the spout to rotate freely.

Clamp the "V" belt around the spout as shown in Figure 4, and loop the belt around the adjusting pulley. Connect the lower end of the spout adjusting handle to the adjusting pulley as shown in Figure 4, using a hex capscrew and lock nut. Adjust the tension of the "V" belt by turning the hex nut at point "A" in Figure 4. Avoid excessive tension.

6. Fasten throttle control to left handle with 2 self tapping screws as shown in Fig. 2. Attach cable to left handle with cable clips.

The 25" Sno Away has as standard equipment, drift cutters which are to be attached to the blower housing. The righthand and the left hand cutter are identified on page 8, and are attached to the housing with capscrews provided, as shown in Figure 4. The braces are then bolted between the cutters and the housing.

Also standard equipment on the 26" Sno Away are the handle re-inforcing plates, item AD on page 10. The plates are bolted to the front and rear of the handles as shown, with throttle cable held between plates.

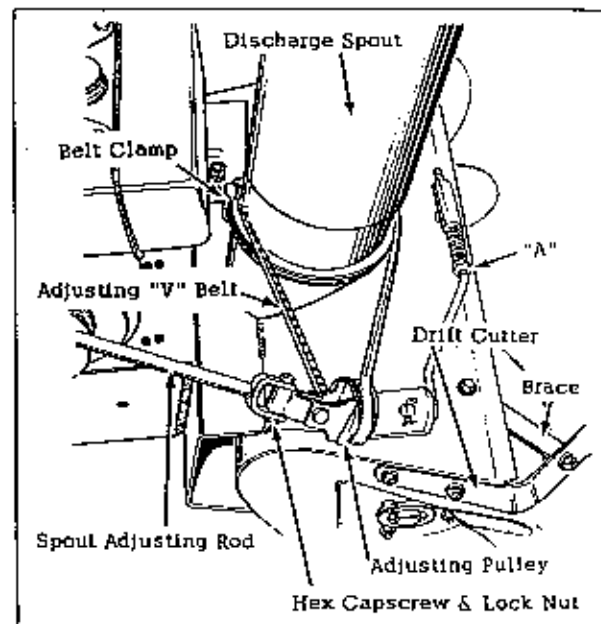


Fig. 4

## Belt Tension

Belt tension for the rotor drive is regulated by the position of the set collar on the rotor clutch rod. Normally a clearance of  $1/2"$  between the set collar and clutch rod clip will properly tension this belt. Check this adjustment when the rotor clutch is engaged. Refer to Figure 5.

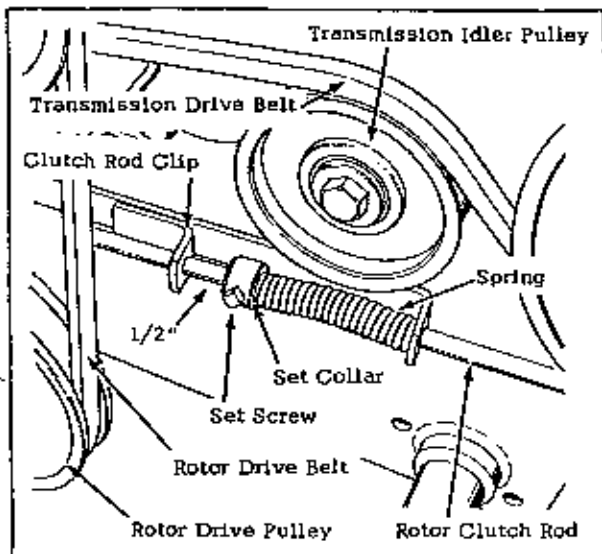


Fig. 5

To increase tension on the rotor drive belt, loosen the set screw in the collar and slide collar toward the spring on the rotor clutch rod. Retighten the set screw to lock collar in place. Avoid excessive tension to prevent premature belt failure.

Belt tension for transmission drive belt is regulated by position of the set collar on the transmission clutch rod. Normally a clearance of  $1/4"$  between the set collar and the clutch rod clip will properly tension the belt. Check this adjustment when the clutch is engaged. Refer to Figure 6.

To increase tension on the transmission drive belt, loosen the set screw in the collar and slide the collar toward the spring on the clutch rod. Retighten the set screw to lock the collar in place. Avoid excessive tension to prevent premature belt failure.

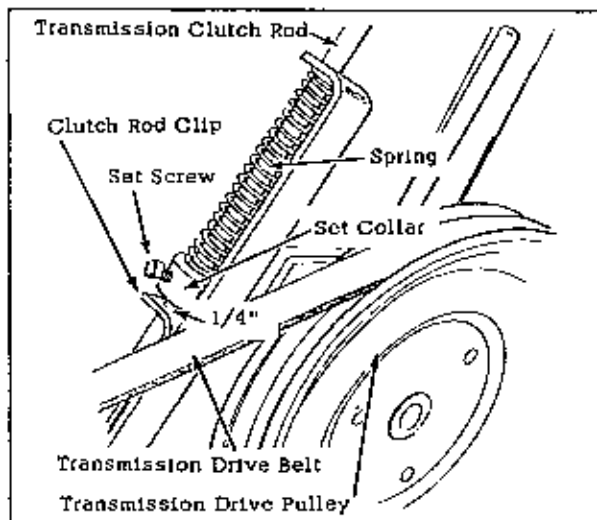


Fig. 6

## Chain Tension

The tension on the rotor drive chain may be increased by loosening the 2 lock nuts "A" and turning the adjusting nuts "B" to the desired position. Be sure to retighten the lock nuts "A" after adjusting tension. Refer to Figure 7.

## Belt Stops

On the drive pulley side of the engine, belt stops are mounted as shown in Figure 7. Engage the Rotor Clutch and Transmission Clutch and check clearance between belts and belt stops. The belt stops will be properly adjusted when  $1/16"$  clearance is visible between the stops and the belts. To adjust, loosen the hex capscrews and reposition the stops to proper clearance. Retighten hex capscrews to hold stops in proper position. Refer to Figure 7.

## Lubrication

The 23" Rotary Snow Plow is equipped with 4 grease fittings that require occasional lubrication with a general purpose automotive grease. The location of these fittings is shown in Figures 1, 3, 5 & 7. The 26" Sno Away has an additional fitting on the 2-Speed axle cover.

The bearings on the rotor shaft are a sealed type and do not require further lubrication. An occasional application of light motor oil to the ends of the rotor shaft will aid in prolonging the life of the bearing seals.

## Operation

Before attempting to start the engine or to operate the snow plow, refer to the engine manufacturers owners manual for the proper fuel, oil, and procedure for starting the engine.

The operation of the rotor is controlled by the rotor clutch. To engage the rotor clutch, raise the foot pedal shown in Figure 7. To disengage the clutch, depress the foot pedal. Bear in mind that the rotor will operate independently of the forward travel of the snow plow as long as the engine is running and the clutch is engaged. Exercise caution at all times, and never attempt to remove snow or ice from the rotor housing or discharge spout unless the engine is stopped and rotor clutch is disengaged. To stop the engine, move the throttle control knob all the way up to the shut-off position.

The direction of travel of the snow plow is controlled by the position of the transmission shift lever. Refer to Figure 2. When shifting the transmission, always put the transmission clutch in disengaged position. To disengage the clutch, push the clutch lever forward. Refer to Figure 2. With the clutch disengaged, push forward on the transmission shift lever and the transmission will shift into forward position and snow plow will travel forward when the clutch is engaged. To reverse the snow plow, disengage the clutch and pull back on shift lever and transmission will shift into the reverse position. Neutral position of the shift lever is half way between forward and reverse and the lever will be held in this position by a detent lever on left side of the snow plow frame.

The 26" Sno Away has two speed ranges operated by the shift rod shown in Figure 3.

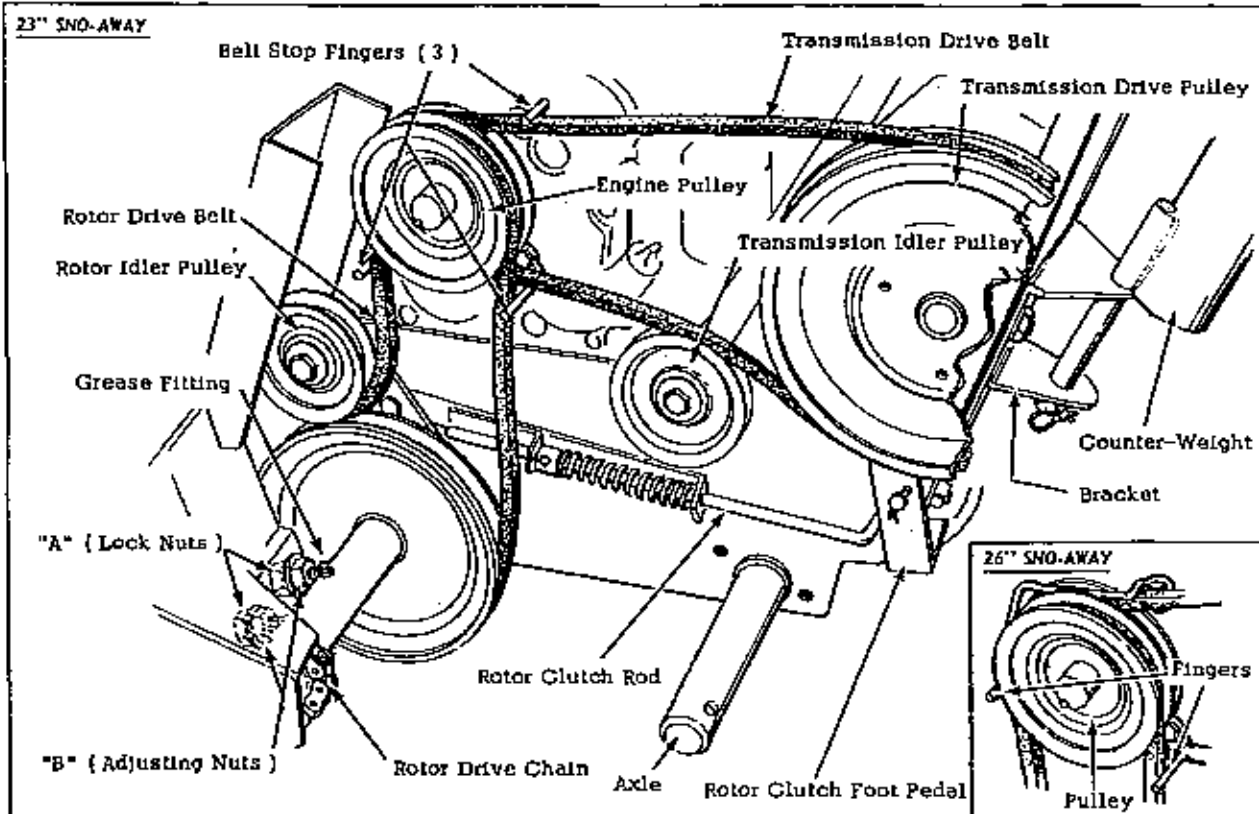


Fig. 7

The heat control vane, AE on page 12, may be positioned by the lever on top of the engine cover in order to vary the amount of heat directed over the carburetor and throttle parts. Under extremely cold, icy conditions, full heat should be applied to those parts.

The roller wheels on each side of the rotor housing are adjustable either up or down to suit the surface over which the plow is to be operated. For a smooth surface, loosen the nuts and set the shoes so that the lower edge of the rotor housing rides near the surface. For use over an uneven or rough surface, adjust the shoes for maximum lift.

When using the plow, adjust the discharge spout so that the snow will be thrown with the wind and never into the wind. Throwing snow into the wind is apt to be a source of discomfort to the operator. To alter the direction of discharge, rotate the spout by means of the spout adjusting handle. The angle of discharge may be adjusted by loosening the 2 wing nuts on the discharge spout extension and raising or lowering the extension to give the desired angle. Retighten the nuts to hold extension in desired position.

Order Steel Lug Wheels by Article #990257.  
 Order Rubber Tire Wheels by Article #990258.  
 Order Tire Chains for Rubber Tire Wheels only, by Article #990259.

When operating the plow through heavy drifts of snow, depress the handles and raise the rotor housing while taking the first pass through the drift. Then back off and lower the rotor housing and go through again. After the first path through the drift has been opened, it may be convenient to use only a portion of the width of the plow on successive passes. Naturally, efficient plowing methods will vary from one snowfall to another and from location to location. The operator will soon learn to judge which methods produce the best results.

When transporting the plow from one location to another, disengage the rotor clutch for safety.

After completion of the plowing operation, allow the rotor to operate for about 5 minutes to dry itself and prevent the formation of ice. When possible, store the snow plow in a cold area so that clinging snow will not melt and refreeze into ice.

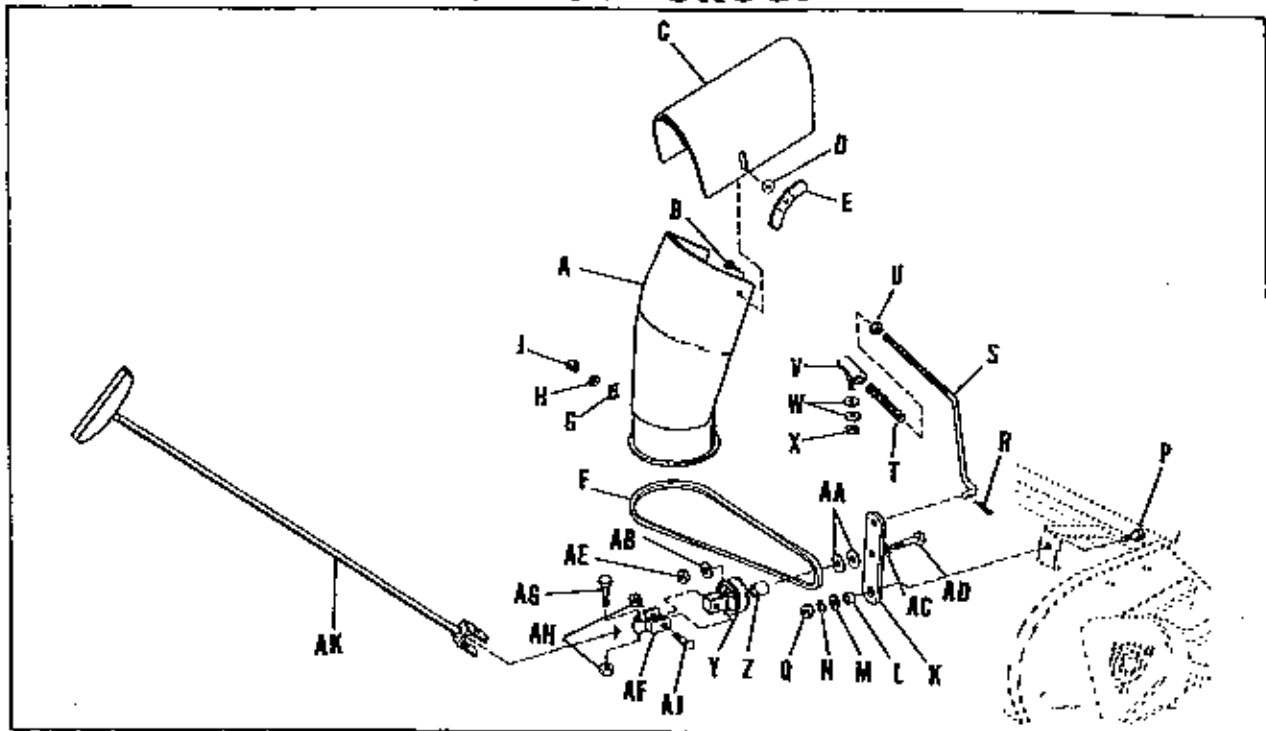
**COUNTER-WEIGHT KIT**  
 Article No. 990260

For added traction in extreme icy conditions, and added handling ease, the above counter-weight kit is available as optional equipment.

The bracket and weight are attached as shown in Figure 7.

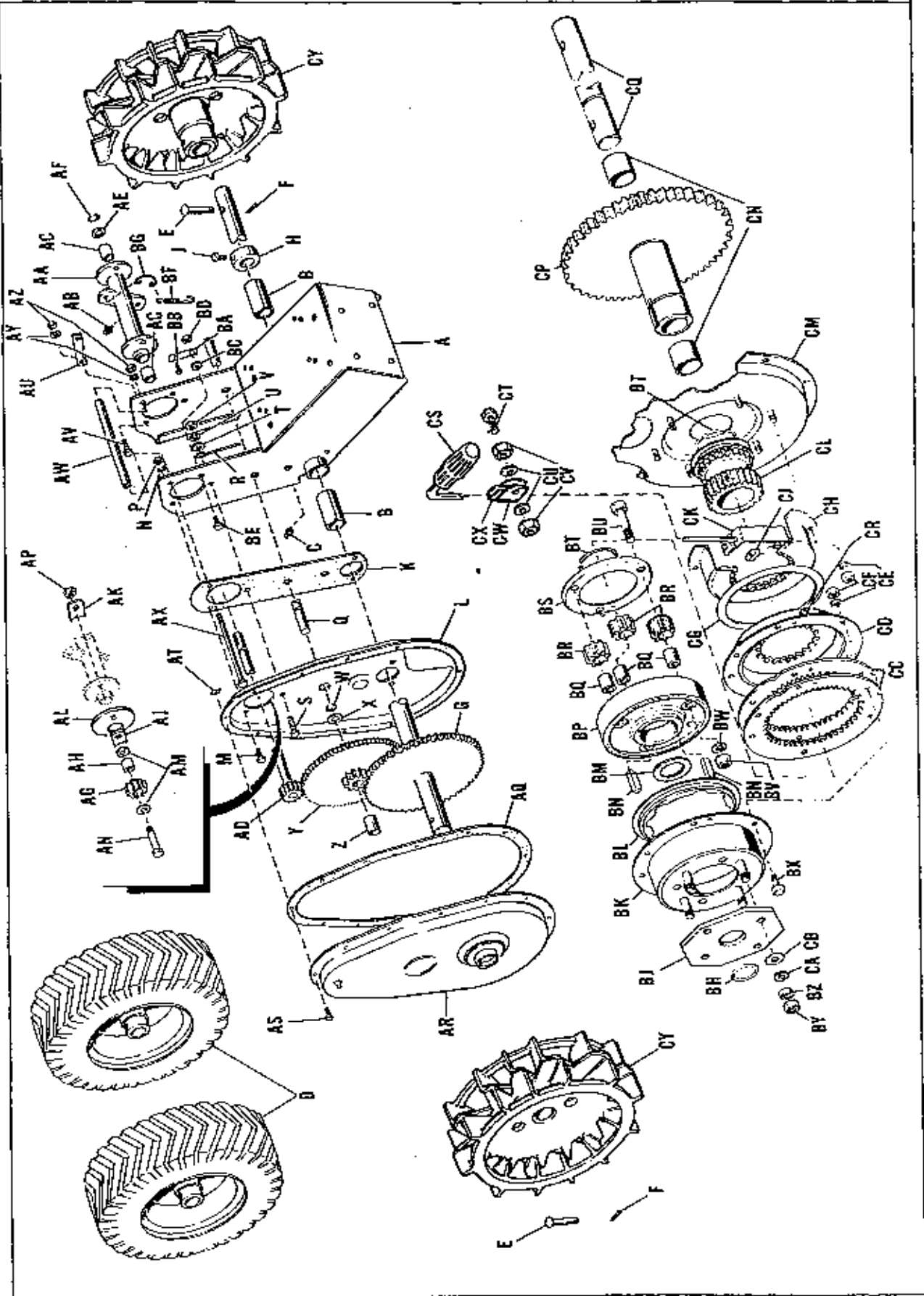
**CAUTION:** It is the operators obligation to avoid any foreign material or obstructions in the snow. Bear in mind that pieces of pipe, rocks, lumber, wire, rags, etc., may jam the rotor and damage it or the drive belts. Be prepared to disengage the rotor clutch quickly if that should happen. If the rotor should jam an alien material, be sure to shut off the engine before attempting to remove the obstruction.

# SPOUT GROUP



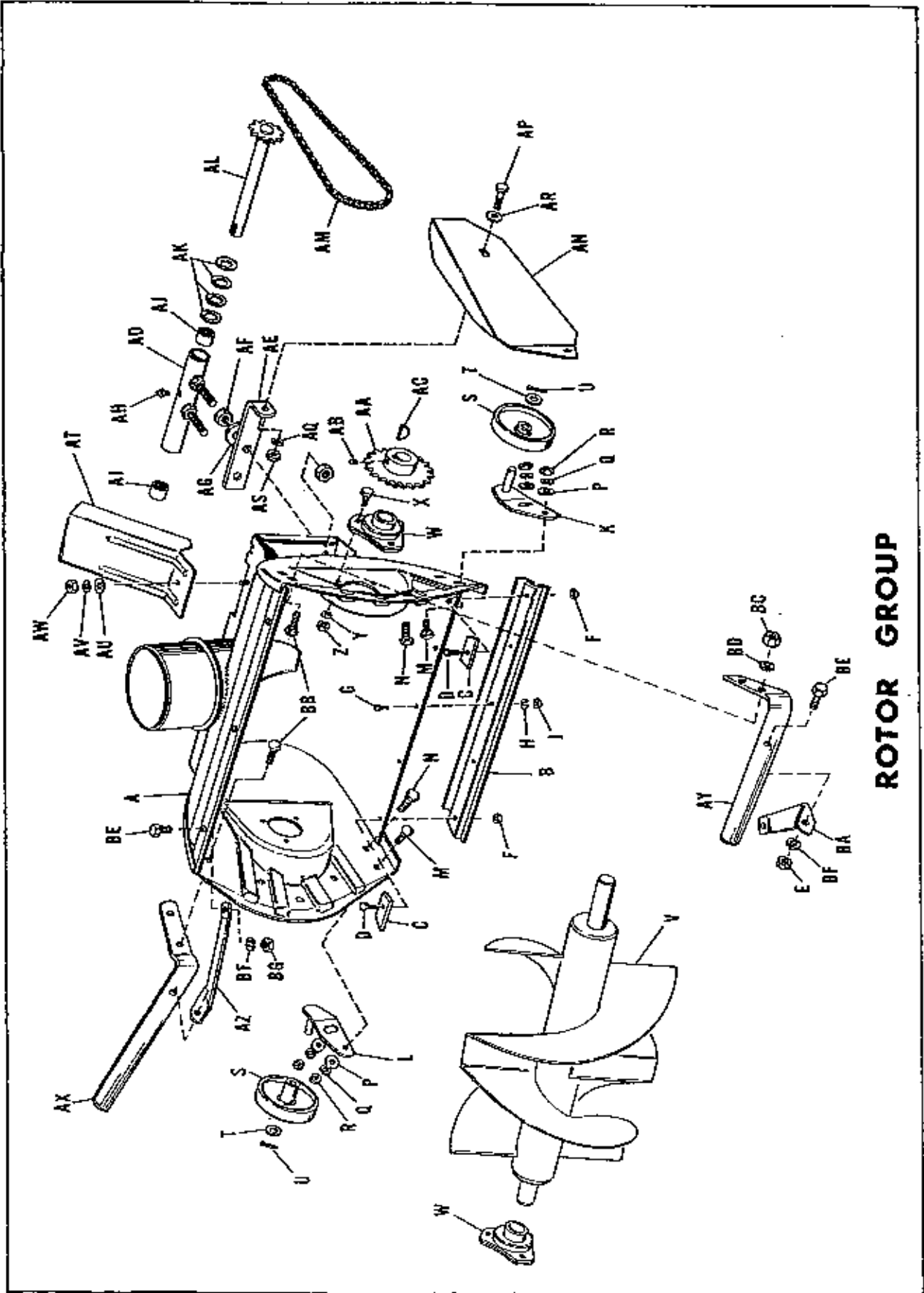
Ref. Lst.	Part No.	Part No.	Description
	23" Sno-Away	26" Sno-Away	
A	106338	106338	Spout Assembly
B	703005	703005	Carriage Bolt, 5/16"-18NC x 3/4" lg.
C	106331	106331	Extension, Spout
D	719001	719001	Washer, Plain, 3/8"
E	106229	106229	Nut, Wing
F	106359	106359	Belt, "V" (Spout)
G	121042	121042	Clamp, Spout Belt
H	720001	720001	Washer, Lock, 5/16"
J	717001	717001	Nut, Hex, Full, 5/16"-18 NC
K	106442	106442	Lever, Idler Pulley
L	153081	153081	Spacer
M	719001	719001	Washer, Plain, 3/8"
N	720002	720002	Washer, Lock, 3/8"
P	705005	705005	Capscrew, Hex, 3/8"-16 NC x 1" lg.
Q	717003	717003	Nut, Hex, Full, 3/8"-16 NC
R	106358	106358	Rod, Belt Tightener
S	722001	722001	Pin, Cotter, 3/32" x 3/4" lg.
T	8191045	8191045	Spring
U	717003	717003	Nut, Hex, Full, 3/8"-16 NC
V	106357	106357	Socket Assembly, Rod
W	719002	719002	Washer, Plain, 5/16"
X	717511	717511	Nut Lock, Full, Hex, 5/16"-18 NC
Y	106343	106343	Pulley Assembly
Z	8191020	8191020	Spacer
AA	121210	121210	Washer
AB	719002	719002	Washer, Plain, 5/16"
AC	720002	720002	Washer, Lock, 3/8"
AD	705010	705010	Capscrew, Hex, 3/8"-16 NC x 1 3/4" lg.
AE	717003	717003	Nut, Hex, Full, 3/8"-16 NC
AF	106131	106131	Fork Assembly
AG	705018	705018	Capscrew, Hex., 5/16"-18 NC x 1 1/2" lg.
AH	717511	717511	Nut, Hex, Full, Lock, 5/16"-18 NC
AJ	705023	705023	Capscrew, Hex, 5/16"-18 NC x 1 3/4" lg.
AK	106160	106160	Handle Assembly, Adjusting

# TRANSMISSION, WHEELS, FRAME



# TRANSMISSION, WHEELS, FRAME

Ref. Let.	Part No.	Part No.	Description	Ref. Let.	Part No.	Part No.	Description
	23" Sno-Away	26" Sno-Away			23" Sno-Away	26" Sno-Away	
A	106180	106180	Frame Assembly	BA	718021	718021	Detent, Neutral
B	153089	153089	Bearing, Axle	BB	714014	714014	Screw, Self Tap, #10 x 3/8 lg.
C	727002	727002	Fitting, Grease	BC	719006	719006	Washer, Plain, 1/4"
D	106332	106332	Wheel & Tire Assembly	BD	717005	717005	Nut, Hex, Full, 1/4"-20 NC
E	118053	118053	Pin	BE	715018	715018	Capscrew, Hex, 1/4-20 x 5/8
F	8161045	8161045	Spring Clip	BF	153121	153121	Spring, Reverse Lever
G	106435	-----	Axle & Gear Assembly	BG	153011	153011	Extension Spring
H	8061046	8061046	Collar, Set	BH	-----	154291	Snap Ring
J	713006	713006	Set Screw, 5/16"-18 NC x 1/2	BJ	-----	106405	Axle Plate, R.H.
K	153114	153114	Gasket, Bearing Housing	BK	-----	106407	Carrier Assembly
L	153105	153105	Gear Case	BL	-----	121185	Thrust Plate
M	705012	705012	Hex Capscrew, 5/16-18 x 5/8	BM	-----	106394	Key
N	720001	720001	Lock Washer, 5/16"	BN	-----	106391	Washer
P	717001	717001	Nut, Hex, Full, 5/16"-18 NC	BP	-----	106416	Spider
Q	106193	106193	Shaft, Intermediate	BQ	-----	121163	Pinion Spacer
R	121044	121044	Pin, Lock	BR	-----	121118	Pinion
S	705005	705005	Hex Capscrew, 3/8-16 x 1	BS	-----	121162	Bolt Ring
T	719001	719001	Washer, Plain, 3/8"	BT	-----	121167	Snap Ring
U	720002	720002	Lock Washer, 3/8"	BU	-----	121184	Bolt, Hex Hd.
V	717003	717003	Nut, Hex, Full, 3/8-16 NC	BV	-----	718015	Nut, Hex, Full, 3/8-24 NF
W	153124	153124	Ring, Retaining	BW	-----	721004	Lock Washer, 3/8"
X	153079	153079	Washer	BX	-----	705015	Capscrew, Hex, 1/4-20 x 5/8
Y	121306	121306	Gear Assembly, Intermediate	BY	-----	717003	Nut, Hex, Full, 3/8-16 NC
Z	153078	153078	Bearing, Intermediate Pinion	BZ	-----	720002	Lockwasher, 3/8"
AA	106199	106199	Housing Assembly, Bearing	CA	-----	106392	Spacer
AB	727002	727002	Grease Fitting	CB	-----	719002	Plain Washer, 5/16"
AC	8051038	8051038	Bearing	CC	-----	121151	Ring Gear
AD	121115	121115	Shaft Assembly, Pulley	CD	-----	121148	Cover Assembly
AE	153079	153079	Washer	CE	-----	720003	Lockwasher, 1/4"
AF	153124	153124	Ring, Retaining	CF	-----	717005	Nut, Hex, Full, 1/4-20 NC
AG	121118	121118	Pinion, Reverse	CG	-----	121186	Seal, Housing Assembly
AH	121163	121163	Spacer, Pinion	CH	-----	121146	Housing Assembly
AJ	121107	121107	Spacer, Reverse Pinion	CJ	-----	121169	Shift Block
AK	121139	121139	Plate, Lock	CK	-----	106410	Rod Assembly, Shift
AL	153094	153094	Shield	CL	-----	121187	Sun Gear
AM	719002	719002	Washer, Plain, 5/16"	CM	-----	121144	Cover Assembly, Gear Case
AN	715033	715033	Bolt, Hex Hd, L.H.	CN	-----	153068	Bearing
AP	153090	153090	Nut, Hex, Full, L.H.	CP	-----	106414	Gear & Tube Assembly
AQ	153115	153115	Gasket, Gear Case	CQ	-----	106406	Axle Shaft
AR	153106	-----	Gear Case Cover Assembly	CR	-----	727002	Grease Fitting
AS	714004	714004	Screw, Self Tap, #10 x 3/8"	CS	-----	153017	Grip, Clevis Rod
AT	718008	718008	Speed Nut	CT	-----	715017	Capscrew, Hex, 5/16-18 x 1 1/4
AU	106215	106215	Plate, friction Stop	CU	-----	719002	Washer, Plain, 5/16"
AV	705007	705007	Hex Capscrew, 5/16-18 x 1"	CV	-----	717511	Lock Nut, Hex, 5/16"-18 NC
AW	106217	106217	Spacer, Frame	CW	-----	153074	Rod Guide
AX	106216	106216	Bolt, Frame	CX	-----	121175	Liner
AY	720001	720001	Washer, Lock, 5/16"	CY	106420	106420	Steel Wheel Assembly
AZ	717001	717001	Nut, Hex, Full, 5/16-18 NC				



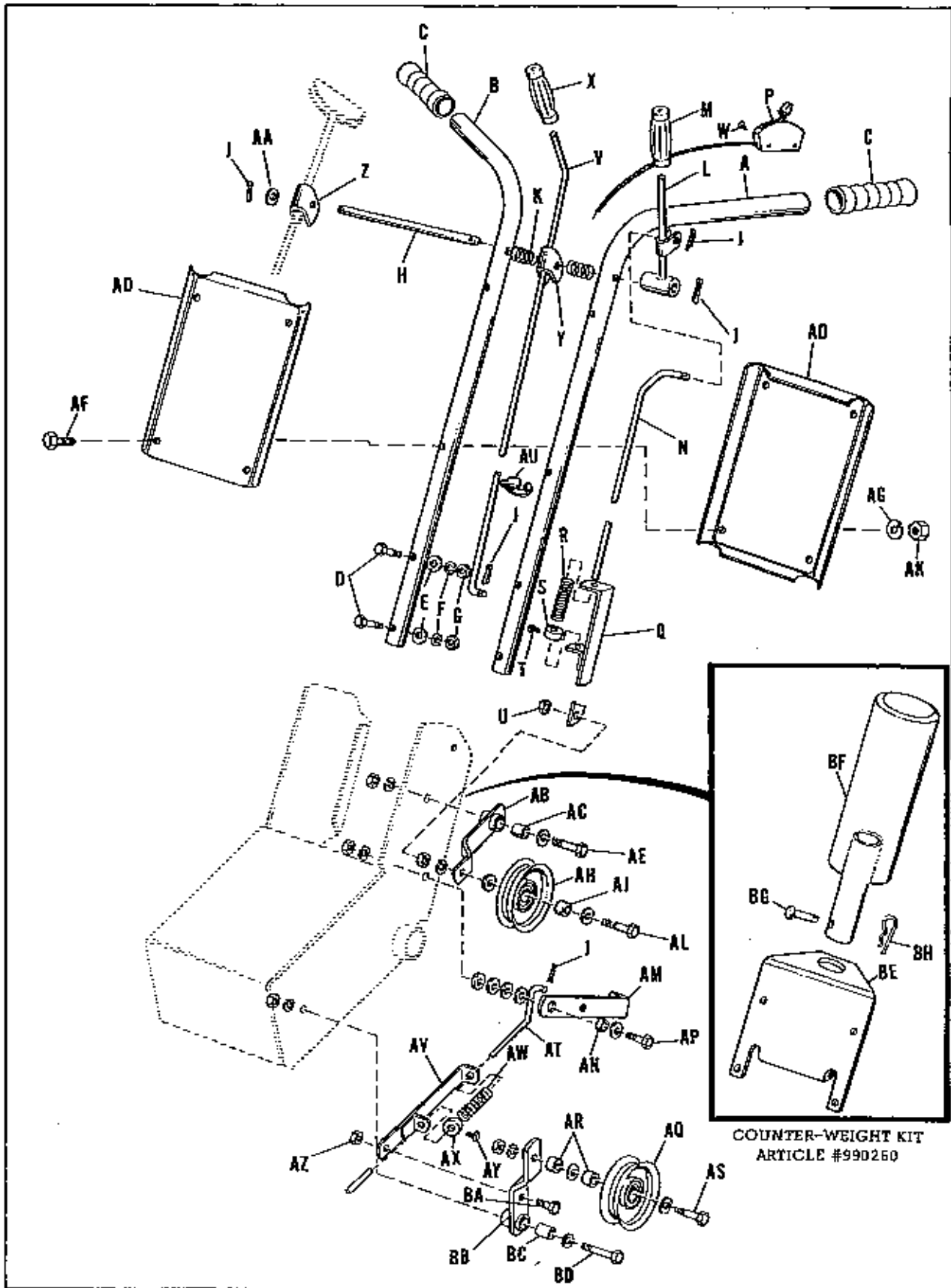
**ROTOR GROUP**



## ROTOR GROUP

Ref. Let.	Part No.		Description
	23" Sno-Away	26" Sno-Away	
A	106188	106376	Body Assembly
B	106428	106415	Scraper, Body
C	106137	106137	Clamp, Scraper
D	715020	715020	Capscrew, Hex, 5/16"-18 NC x 3/4" lg.
E	-----	717001	Nut, Hex, Full, 5/16"-18 NC
F	717511	717511	Nut, Hex, Full Lock, 5/16"-18 NC
G	715018	715018	Capscrew, Hex, 1/4"-20 NC x 5/8" lg.
H	720003	720003	Washer, Lock, 1/4"
J	717005	717005	Nut, Hex, Full, 1/4"-20 NC
K	106209	106209	Bracket Assembly, Roller, Left Hand
L	106211	106211	Bracket Assembly, Roller, Right Hand
M	703004	703004	Bolt, Carriage, 3/8"-16 NC x 3/4" lg.
N	705031	705031	Capscrew, Hex, 3/8"-16 NC x 7/8" lg.
P	719001	719001	Washer, Plain, 3/8"
Q	720002	720002	Washer, Lock, 3/8"
R	717003	717003	Nut, Hex Full, 3/8"-16 NC
S	106396	106396	Roller Assembly
T	121210	121210	Washer
U	722010	722010	Pin, Cotter, 1/8" x 1 1/4" lg.
V	106333	106378	Rotor Assembly
W	106445	106445	Bearing Assembly
X	705017	705017	Capscrew, Hex, 5/16"-18 NC x 3/4" lg.
Y	720001	720001	Washer, Lock, 5/16"
Z	717001	717001	Nut, Hex, Full, 5/16"-18 NC
AA	106052	106052	Sprocket, Rotor
AB	713503	713503	Set Screw, Socket Head, 5/16"-18 NC x 5/16" lg.
AC	151040	151040	Key, HI-Pro
AD	106197	106197	Housing Assembly, Bearing
AE	106213	106213	Bracket, Chain Guard
AF	717006	717006	Nut, Hex, Full, 1/2"-13 NC
AG	719004	719004	Washer, Plain, 1/2"
AH	727002	727002	Fitting, Grease
AJ	154258	154258	Bearing, Needle
AK	8061012	8061012	Washer
AL	106195	106195	Shaft Assembly
AM	106058	106058	Chain, Rotor
AN	106103	106103	Guard, Chain
AP	705017	705017	Capscrew, Hex, 5/16"-18 NC x 3/4" lg.
AQ	720001	720001	Washer, Lock, 5/16"
AR	719002	719002	Washer, Plain, 5/16"
AS	717001	717001	Nut, Hex, Full, 5/16"-18 NC
AT	106225	106225	Guard, Belt
AU	719001	719001	Washer, Plain, 3/8"
AV	720002	720002	Washer, Lock, 3/8"
AW	717003	717003	Nut, Hex, Full, 3/8"-16 NC
AX	-----	106417	Drift Cutter, Right Hand
AY	-----	106418	Drift Cutter, Left Hand
AZ	-----	106411	Brace, Right Hand
BA	-----	106412	Brace, Left Hand
BB	-----	705004	Capscrew, Hex, 3/8"-16 NC x 3/4" lg.
BC	-----	720002	Lockwasher, 3/8"
BD	-----	717003	Hex Nut, Full, 3/8"-16 NC
BE	-----	705017	Capscrew, Hex, 5/16"-18 NC x 3/4" lg.
BF	-----	720001	Lockwasher, 5/16"

# HANDLES & CONTROLS

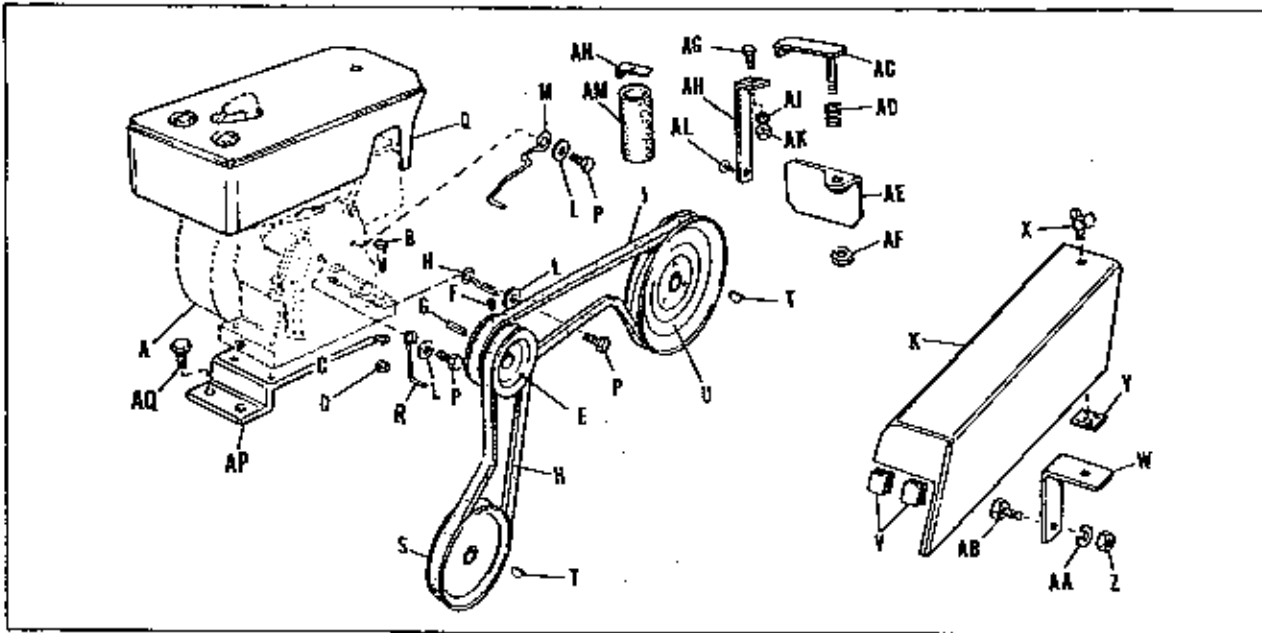


## HANDLES & CONTROLS

Ref. Let.	Part No.	Part No.	Description
	23" Sno-Away	26" Sno-Away	
A	106186	106423	Handle, Left Hand
B	106187	106422	Handle, Right Hand
C	155038	155038	Grip, Handle
D	705006	705006	Capscrew, Hex, 3/8"-16 NC x 2" lg.
E	719001	719001	Washer, Plain, 3/8"
F	720002	720002	Washer, Lock, 3/8"
G	717003	717003	Hex Nut Full 3/8"-16 NC
H	106222	106222	Pin, Lever
J	722001	722001	Pin, Cotter. 3/32" x 3/4" lg.
K	152006		Spring
L	155006	155006	Lever Assembly, Left Hand
M	153017	153017	Grip
N	106220	106384	Rod, Clutch Transmission
P	106398	106398	Throttle Control Assembly
Q	106399	106399	Guide Assembly, Rod ( 20" long )
R	8191045	8191045	Spring
S	8191022	8191022	Collar, Set
T	713001	713001	Set Screw, Square Hd. 1/4"-20 NC x 3/8" lg.
U	717510	717510	Hex Nut Full Lock, 3/8"-16 NC
V	106218	106218	Rod, Reverse
W	714010	714010	Self Tapping Screw, Rd. Hd., #10-24 x 1"lg.
X	153017	153017	Grip
Y	153074	153074	Guide, Reverse Rod
Z	106221	106221	Guide, Rod
AA	719002	719002	Washer, Plain, 5/16"
AB	106204	106204	Lever Assembly, Idler. Transmission Clutch
AC	8171073	8171073	Race, Inner Bearing
AD	-----	106380	Cover, Handle
AE	705010	705010	Capscrew, Hex. 3/8"-16 NC x 1 3/4" lg.
AF	-----	705025	Capscrew, Hex 1/4"-20 NC x 1 1/2" lg.
AG	-----	720003	Washer, Lock 1/4"
AH	154310	154310	Pulley, Idler. ( Transmission Drive )
AJ	8171045	8171045	Bushing
AK	-----	717005	Nut Hex, Full 1/4"-20 NC
AL	705010	705010	Capscrew, Hex. 3/8"-16 NC x 1 3/4" lg.
AM	106223	106223	Pedal, Clutch, Foot
AN	8161215	8161215	Bushing
AP	705009	705009	Capscrew, Hex. 3/8"-16 NC x 1 1/2" lg.
AQ	154310	154310	Pulley, Idler ( Rotor Drive )
AR	8171045	8171045	Bushing
AS	705010	705010	Capscrew, Hex. 3/8"-16 NC x 1 3/4" lg.
AT	106224	106224	Rod, Clutch, Rotor
AU	8061108	8061108	Cable Clip
AV	8081503	8081503	Guide Assembly, Clutch Rod
AW	8191045	8191045	Spring
AX	8191022	8191022	Collar, Set
AY	713001	713001	Set Screw, Square Hd., 1/4"-20 NC x 3/8" lg.
AZ	717510	717510	Hex Nut, Full, Lock, 3/8"-16 NC
BA	705004	705004	Capscrew, Hex, 3/8"-16 NC x 3/4" lg.
BB	106201	106201	Lever Assembly, Idler
BC	8171073	8171073	Race, Inner Bearing
BD	705010	705010	Capscrew, Hex. 3/8"-16 NC x 1 3/4" lg.

Ref. Let.	Part No.	Part No.	COUNTER-WEIGHT KIT for 26" SNO-AWAY only!
	23" Sno-Away	26" Sno-Away	
BE	-----	106449	Bracket, Weight
BF	-----	154322	Weight Assembly
BG	-----	118053	Pin
BH	-----	8161045	Clip, Spring

## ENGINE & DRIVE PULLEYS



Ref. Let.	Part No.		Description
	23" Sno-Away	26" Sno-Away	
A	106439	106381	Engine
B	705018	705018	Capscrew, Hex, 5/16"-18 NC x 1 1/2" lg.
C	720001	720001	Washer, Lock, 5/16"
D	717001	717001	Hex Nut, Full, 5/16"-18 NC
E	106227	106402	Pulley, Engine
F	713504	713504	Set Screw, Socket Hd., 5/16"-18 NC x 3/8" lg.
G	8221042	8061100	Key, Square
H	121228	106390	Belt, "V" (Rotor Drive)
J	8021077	8161244	Belt, "V" (Transmission Drive)
K	106424	106424	Guard, Pulley
L	719002	719002	Washer, Plain, 5/16"
M	106441	106346	Stop, Belt
N	106437	106347	Stop, Belt
P	706017	706017	Capscrew, Hex, 5/16"-24 NF x 5/8" lg.
Q	106430	106425	Deflector, Hot Air
R	-----	8061089	Belt Stop
S	154272	154272	Pulley
T	725003	725003	Key, Woodruff
U	106214	106214	Pulley, Transmission Drive
V	106372	106372	Speed Clip
W	106403	106403	Bracket, Guard
X	715040	715040	Thumbscrew
Y	718026	718026	Speed Nut
Z	717001	717001	Hex Nut, Full 5/16"-18 NC
AA	720001	720001	Lock Washer, 5/16"
AB	705007	705007	Capscrew, Hex Hd., 5/16"-18 NC x 1" lg.
AC	-----	106389	Lever Assembly, Pivot
AD	-----	8191047	Spring
AE	-----	106401	Air Vane Assembly
AF	-----	717511	Nut, Hex Full Lock, 5/16"-18 NC
AG	-----	705002	Capscrew, Hex, 1/4"-20 NC x 1/2" lg.
AH	-----	106386	Deflector Support
AJ	-----	720003	Lockwasher 1/4"
AK	-----	717005	Hex Nut, 1/4"-20 NC
AL	-----	710004	Machine Screw, Rd. Hd., #10-32 x 3/8" lg.
AM	-----	153117	Air Intake Tube
AN	-----	106385	Tube Clamp
AP	106433	-----	Engine Base
AQ	705012	-----	Capscrew, Hex, 5/16"-18 NC x 5/8" lg.