

Large Frame Walk-Behind Snowthrowers

9.5HP Snowthrowers

Mfg. No. Description

| | |
|---------|-------------------------------|
| 1694589 | 9560E, 9.5HP Snowthrower |
| 1694597 | 9560M, 9.5HP Snowthrower (CE) |

10HP Snowthrowers

Mfg. No. Description

| | |
|---------|------------------------------|
| 1694590 | 1060E, 10HP Snowthrower |
| 1694598 | 1060M, 10HP Snowthrower (CE) |

11HP Snowthrowers

Mfg. No. Description

| | |
|---------|------------------------------|
| 1694591 | 1170E, 11HP Snowthrower |
| 1694599 | 1170M, 11HP Snowthrower (CE) |

12HP Snowthrowers

Mfg. No. Description

| | |
|---------|------------------------------|
| 1694592 | 1280E, 12HP Snowthrower |
| 1694600 | 1280M, 12HP Snowthrower (CE) |

13HP Snowthrowers

Mfg. No. Description

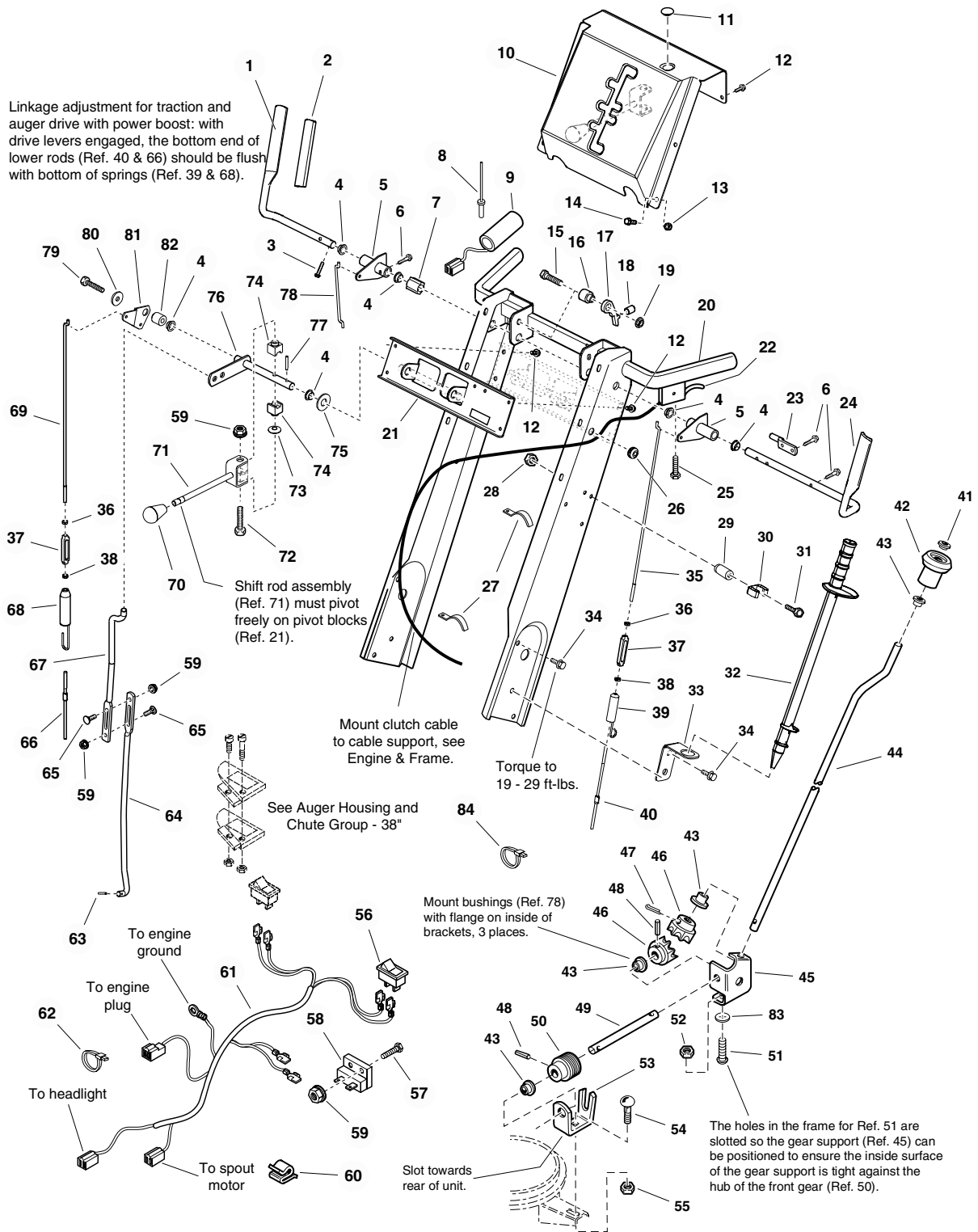
| | |
|---------|------------------------------|
| 1694593 | 1390E, 13HP Snowthrower |
| 1694601 | 1390M, 13HP Snowthrower (CE) |

| PRODUCT COMPONENTS | PAGES |
|--|--------------------------|
| Handles and Controls Group - 1060, 1170, 1280 & 1390 Models | 4 |
| Handles and Controls Group - 9560 Models | 8 |
| Engine and Frame Group with Power Boost | 12 |
| Engine and Frame Group without Power Boost | 16 |
| Auger and Impeller Group | 20 |
| Auger Housing and Chute Group - 38" Models | 22 |
| Auger Housing and Chute Group - 9560, 1060, 1170 & 1280 Models | 26 |
| Traction Drive Group | 30 |
| Wheels & Tires Group | 34 |
| Decal Group | 36 |
| Headlight Group | 38 |
| Torque Specification Chart | Inside Back Cover |

Handles and Controls Group - 1060, 1170, 1280 & 1390 Models

986724

NOTE: Unless noted otherwise, use the standard hardware torque specification chart.



The above parts group applies to the following Mfg. Nos.:

- | | |
|-----------------|-----------------|
| 1694590 - 1060E | 1694600 - 1280M |
| 1694591 - 1170E | 1694601 - 1390M |
| 1694592 - 1280E | |
| 1694593 - 1390E | |
| 1694598 - 1060M | |
| 1694599 - 1170M | |

Handles and Controls Group - 1060, 1170, 1280 & 1390 Models

| REF NO | PART NO. | QTY. | DESCRIPTION |
|--------|----------|------|--|
| 1 | 1727128 | 1 | HANDLE, Clutch R.H. |
| 2 | 1668608 | 2 | GRIP, Handle Clutch, Black |
| 3 | 1928732 | 1 | CAPSCREW, Hex Washer Head Taptite #10-24 x 1 |
| 4 | 1668185 | 5 | BUSHING, 1/2 ID x 3/4 OD x 1/4, Nylon |
| 5 | 1725205A | 2 | LEVER & TUBE ASSEMBLY, Clutch |
| 6 | 1960471 | 4 | CAPSCREW, Hex Washer Head Taptite #12-24 x 1 |
| 7 | 1705899 | 1 | GUIDE, Control |
| 8 | 1726422 | 2 | RIVET, Pop (1280 & 1390 Models Only) |
| 9 | 1726317 | 2 | GRIP, Black Soft 1" (9560, 1060 & 1170 Models Only) |
| 9 | 1723965 | 2 | HAND GRIP, Heated 1" (1280 & 1390 Models Only) |
| 10 | 1667800C | 1 | DASHBOARD |
| 11 | 1724489 | 1 | PLUG, Button (1390 Models Only) |
| 12 | 1925592 | 6 | CAPSCREW, Hex Washer Head Taptite 1/4-20 x 3/4 |
| 13 | 1930641 | 4 | NUT, Hex Flange Whiz Lock 1/4-20 |
| 14 | 1935450 | 4 | CAPSCREW, Hex Washer Head, 1/4-20 x 3/4 G5 |
| 15 | 1933689 | 1 | CAPSCREW, Hex Flange Whiz Lock, 5/16-18 x 1-1/2 |
| 16 | 1678579 | 1 | SPACER, 21/64 ID x 13/16 OD x 15/16 |
| 17 | 1705898 | 1 | LATCH, Control |
| 18 | 1701342 | 1 | SPRING, Compression |
| 19 | 1960686 | 1 | NUT, Hex Flange 5/16-18 ESNA |
| 20 | 1726672C | 1 | HANDLE ASSEMBLY, Channel |
| 21 | 1723935A | 1 | BRACKET, Shift Control |
| 22 | 1718791 | 1 | CABLE & HANDLE ASSEMBLY, Clutch L.H. |
| 23 | 1677453 | 1 | ROD, Control 2" Flat |
| 24 | 1727127 | 1 | HANDLE, Clutch L.H. |
| 25 | 1725702 | 1 | SCREW, Pan Head Torx #10 x 1/2 Thick Cut |
| 26 | 1664022 | 1 | GROMMET, 1/2 |
| 27 | 2834683 | 1 | CLIP, Wire |
| 28 | 1933896 | 1 | NUT, Hex Lock 10-24 with Nylon Insert NC3B |
| 29 | 1678392 | 1 | SPACER, 17/64 ID x 3/8 OD x 21/64 |
| 30 | 1726728 | 1 | CLIP, Clean Out Tool |
| 31 | 1960589 | 1 | SCREW, Phillips #10-24 x 3/4 |
| 32 | 7075909 | 1 | TOOL, Clean Out |
| 33 | 1726727A | 1 | BRACKET, Clean Out Tool |
| 34 | 1930591 | 6 | CAPSCREW, Hex Flange Whiz Lock, 5/16-18 x 3/4 |
| 35 | 1668121 | 1 | ROD, Clutch, 17-5/16 |
| 36 | 2828704 | 2 | NUT, Hex Machine Screw 10-24 NC-2B LH YEL |
| 37 | 2108775 | 2 | TURNBUCKLE, 2-1/4 Long #10-24NC (L.H. & R.H.) |
| 38 | 1916621 | 2 | NUT, Hex Machine Screw 10-24 NC-2B |
| 39 | 1707452 | 1 | SPRING, Extension 3-11/32 Long |
| 40 | 1668526 | 1 | ROD, Clutch, 6-5/16 Long |
| 41 | 1960093 | 1 | NUT, Push Pal (Used on all models Except 1390 Models) |
| 42 | 1714084 | 1 | KNOB, Spinner, Soft (9560, 1060, 1170 & 1280 Models Only) |
| 43 | 1667588 | 4 | BUSHING, 3/8 ID x 7/16 OD x 13/64, Nylon (9560, 1060, 1170 & 1280 Models Only) |

Footnotes

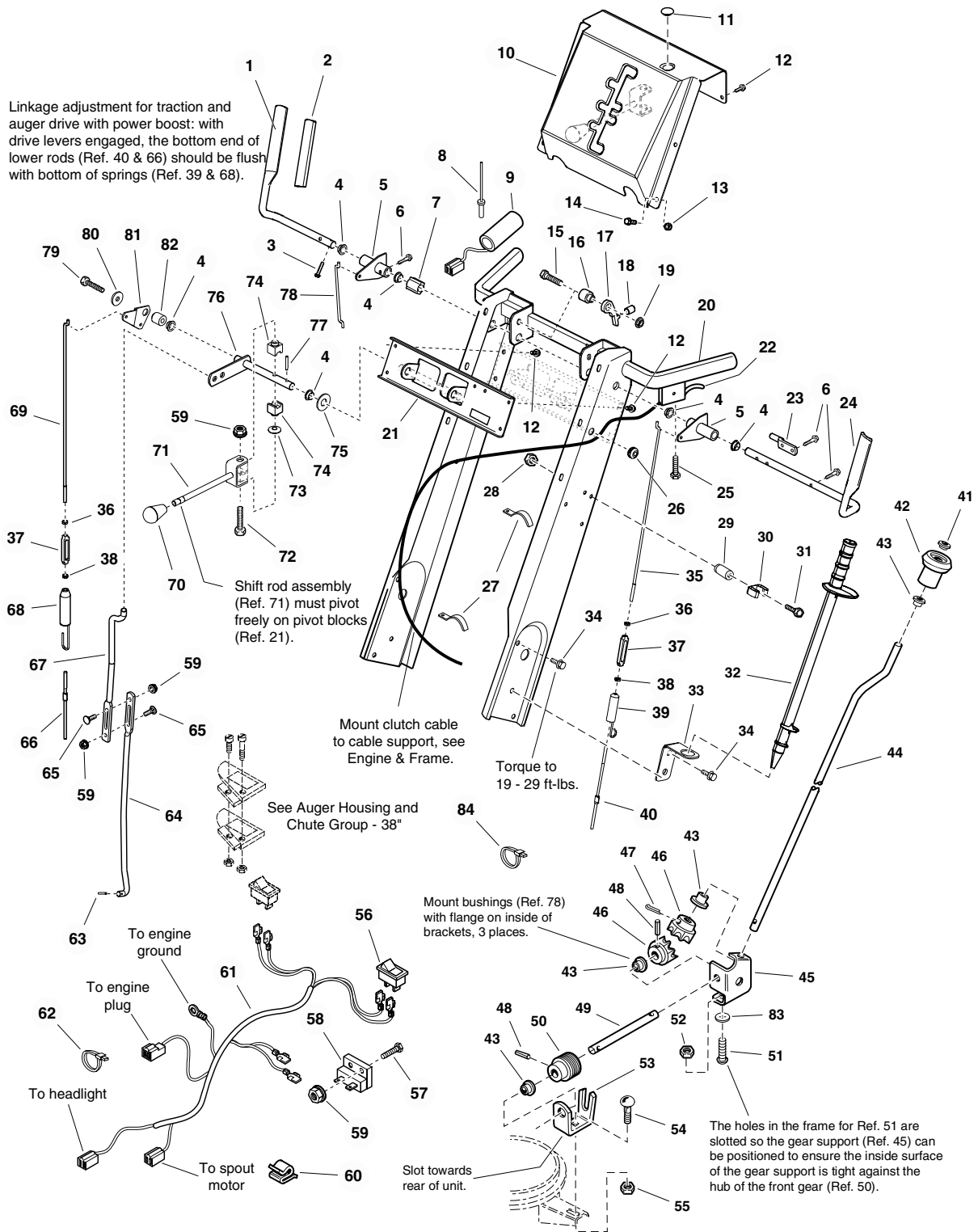
The above parts group applies to the following Mfg. Nos.:

1694590 - 1060E
 1694591 - 1170E
 1694592 - 1280E
 1694593 - 1390E
 1694598 - 1060M
 1694599 - 1170M

Handles and Controls Group - 1060, 1170, 1280 & 1390 Models

986724

NOTE: Unless noted otherwise,
use the standard hardware torque
specification chart.



The above parts group applies to the following Mfg. Nos.:

- | | |
|-----------------|-----------------|
| 1694590 - 1060E | 1694600 - 1280M |
| 1694591 - 1170E | 1694601 - 1390M |
| 1694592 - 1280E | |
| 1694593 - 1390E | |
| 1694598 - 1060M | |
| 1694599 - 1170M | |

Handles and Controls Group - 1060, 1170, 1280 & 1390 Models

| REF NO | PART NO. | QTY. | DESCRIPTION |
|--------|----------|------|---|
| 44 | 1715658 | 1 | ROD, Chute Control, 27" Long (9560, 1060, 1170 & 1280 Models Only) |
| 45 | 1718793 | 1 | SUPPORT, Gear (9560, 1060, 1170 & 1280 Models Only) |
| 46 | 1718593 | 2 | GEAR, Powered Metal (9560, 1060, 1170 & 1280 Models Only) |
| 47 | 1918452 | 1 | PIN, Cotter 1/8 x 1 (9560, 1060, 1170 & 1280 Models Only) |
| 48 | 2816168 | 2 | PIN, Spring 1/8 x 3/4 (9560, 1060, 1170 & 1280 Models Only) |
| 49 | 1725283 | 1 | ROD, Chute Worm, 18 Long (9560, 1060, 1170 & 1280 Models Only) |
| 50 | 1668186 | 1 | WORM, Chute, L.H. (9560, 1060, 1170 & 1280 Models Only) |
| 51 | 1960252 | 2 | CARRIAGE BOLT, 1/4-20 x 5/8 G5 (9560, 1060, 1170 & 1280 Models Only) |
| 52 | 1960294 | 2 | NUT, Hex Flange Whiz Lock, 1/4-20 Small (9560, 1060, 1170 & 1280 Models Only) |
| 53 | 1611911 | 1 | SUPPORT, Worm (9560, 1060, 1170 & 1280 Models Only) |
| 54 | 1931333 | 1 | CARRIAGE BOLT, 5/16-18 x 3/4 G5 (9560, 1060, 1170 & 1280 Models Only) |
| 55 | 1960684 | 1 | NUT, Hex KEPS Conical Washer, 5/16-18 (9560, 1060, 1170 & 1280 Models Only) |
| 56 | 1723967 | 1 | SWITCH, Hand Warmer (1280 & 1390 Models Only) |
| 57 | 1923341 | 1 | CAPSCREW, Hex Head, 1/4-20 x 3/4 G5 (1280 & 1390 Models Only) |
| 58 | 1724037 | 1 | RESISTOR BLOCK, Male Terminal (1280 & 1390 Models Only) |
| 59 | 1960685 | 4 | NUT, Hex KEPS, 1/4-20 Conical Washer |
| 60 | 2172434 | 1 | CLIP, Wire (Spout Rotator Models Only) |
| 61 | 1725439 | 1 | HARNESS, Wiring (Handwarmer Models Only) |
| 61 | 1725409 | 1 | HARNESS, Wiring (Handwarmer & Spout Rotator Models Only) |
| 62 | 2825094 | 3 | TIE, Self Locking 7-5/16 (1280 & 1390 Models Only) |
| 63 | 1722460 | 1 | PIN, Quick |
| 64 | 1666255 | 1 | ROD, Lower Shift 15-21/64 Long |
| 65 | 1931317 | 2 | CARRIAGE BOLT, 1/4-20 x 3/4 G5 |
| 66 | 1702004 | 1 | ROD, Lower Clutch |
| 67 | 1726304 | 1 | ROD, Upper Shift 11-3/8 Long |
| 68 | 1701996 | 1 | SPRING, Extension 4-3/4 Long |
| 69 | 1702485 | 1 | ROD, Upper Clutch |
| 70 | 1713844 | 1 | KNOB, Hole |
| 71 | 1714120 | 1 | ROD & CLEVIS ASSEMBLY, Shift |
| 72 | 1960705 | 1 | CAPSCREW, Hex Flange Whiz Lock 1/4-20 x 2-1/4 |
| 73 | 1668681 | 1 | WASHER, Curved |
| 74 | 1668524 | 2 | BLOCK, Pivot, Powdered Metal |
| 75 | 1924361 | 1 | WASHER, 1/2 |
| 76 | 1703043 | 1 | ROD & ARM ASSEMBLY, Pivot |
| 77 | 1960074 | 1 | CLIP, Hair Pin |
| 78 | 1702663 | 1 | ROD, Clutch 5-11/32 Long |
| 79 | 1933689 | 1 | CAPSCREW, Hex Flange Whiz Lock 5/16-18 x 1-1/2 |
| 80 | 1919326 | 1 | WASHER, 5/16 |
| 81 | 1702662 | 1 | LEVER, Clutch |
| 82 | 1702552 | 1 | SPACER, 21/64 ID x 3/4 OD x 53/64, Powdered Metal |
| 83 | 1960518 | 2 | NUT, Push for 1/4 Diameter Thread |
| 84 | 1701011 | 1 | TIE, Self Locking, 15" (Spout Rotator Models Only) |

Footnotes

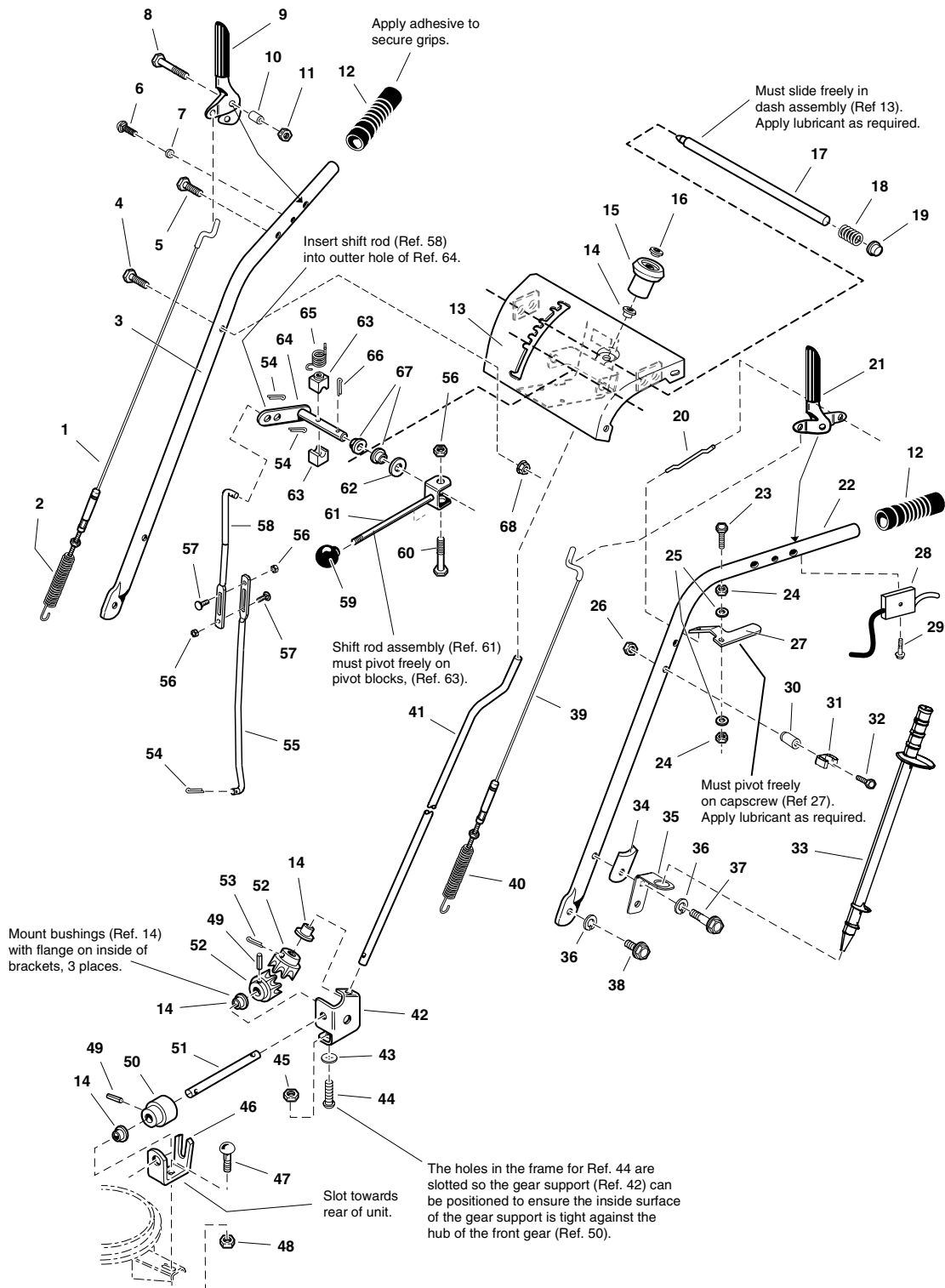
The above parts group applies to the following Mfg. Nos.:

1694590 - 1060E
 1694591 - 1170E
 1694592 - 1280E
 1694593 - 1390E
 1694598 - 1060M
 1694599 - 1170M

Handles and Controls Group - 9560 Models

986728

NOTE: Unless noted otherwise,
use the standard hardware torque
specification chart.



The above parts group applies to the following Mfg. Nos.:

- 1694589 - 9560E
- 1694597 - 9560M

Handles and Controls Group - 9560 Models

| REF NO | PART NO. | QTY. | DESCRIPTION |
|--------|----------|------|--|
| 1 | 1726833 | 1 | CABLE AND SPRING ASSEMBLY, R.H. Auger |
| 2 | 1701996 | 1 | SPRING, Torsion |
| 3 | 1727087A | 1 | HANDLE, Tube, R.H. |
| 4 | 1922127 | 1 | CAPSCREW, Hex Head, 5/16-18 x 1-3/4 G5 |
| 5 | 1921221 | 3 | CAPSCREW, Hex Head, 5/16-18 x 1-1/2 G5 |
| 6 | 1960671 | 2 | SCREW, Pan Head Torx, 1/4-20 x 3/4, Thread Cutting |
| 7 | 1715654 | 2 | SPACER, 1/4ID x 25/64OD x 11/64LG |
| 8 | 1922837 | 2 | CAPSCREW, Hex Head, 1/4-20 x 1-1/2 G5 |
| 9 | 1722638 | 1 | HANDLE, Clutch R.H. |
| 10 | 1715655 | 2 | SPACER |
| 11 | 1923358 | 2 | NUT, Hex Centerlock, 1/4-20 |
| 12 | 1726317 | 2 | GRIP |
| 13 | 1726983A | 1 | DASH AND SUPPORT ASSEMBLY, Tubular |
| 14 | 1667588 | 4 | BUSHING, 47/125ID x 437/1000OD x 1/5LG |
| 15 | 1714084 | 1 | KNOB, Spinner |
| 16 | 1960093 | 1 | NUT, Push Pal, 3/8" Diameter Stud Capped |
| 17 | 1722633 | 1 | ROD AND SPRING ASSEMBLY, w/Pin |
| 18 | 1722690 | 1 | SPRING, Complete |
| 19 | 1960519 | 1 | PUSH NUT, Stud Cap, 1/2 |
| 20 | 1722630 | 1 | ROD, 4/25" Diameter, E-Coat |
| 21 | 1722667 | 1 | HANDLE, Clutch L.H. |
| 22 | 1727086A | 1 | HANDLE, Tube, L.H. |
| 23 | 1960662 | 1 | CAPSCREW, Hex Head, 1/4-20 x 2 G5 |
| 24 | 1920397 | 2 | NUT, Hex Lock ESNA Light, 1/4-20NC-3B |
| 25 | 1921319 | 2 | WASHER, 1/4 |
| 26 | 1933896 | 1 | NUT, Hex Lock, 10-24 |
| 27 | 1722631A | 1 | LEVER, Pivot |
| 28 | 1718791 | 1 | CABLE AND HANDLE ASSEMBLY, Clutch |
| 29 | 1725702 | 1 | SCREW, Pan Head Torx, #10 x 1/2 Thread Cut |
| 30 | 1726995 | 1 | SPACER, 1-1/4 LG Beveled End |
| 31 | 1726728 | 1 | CLIP, Snow Stick |
| 32 | 1960727 | 1 | SCREW, Hex Flange Slot, #10-24 x 2-1/2 |
| 33 | 7075909 | 1 | STICK, Snow Removal |
| 34 | 1720452 | 2 | CLAMP, Saddle Snow Handle E-Coat |
| 35 | 1726727A | 1 | BRACKET, Clean Out Tool |
| 36 | 1917356 | 4 | LOCKWASHER, Spring, 5/16 |
| 37 | 1921978 | 2 | CAPSCREW, Hex Head 5/16-18 x 2 G5 |
| 38 | 1930591 | 2 | SCREW, Hex Whiz Lock Flange, 5/16-18 x 3/4 |
| 39 | 1726832 | 1 | CABLE AND SPRING ASSEMBLY, L.H. Traction |
| 40 | 1707452 | 1 | SPRING, Extension |
| 41 | 1727088 | 1 | ROD, 3/8" Diameter, 26" Long |
| 42 | 1718793 | 1 | SUPPORT, Gear |
| 43 | 1960518 | 2 | NUT, Push for 1/4 Diameter Thread |
| 44 | 1960252 | 2 | CARRIAGE BOLT, 1/4-20 x 5/8 G5 |

Footnotes

The above parts group applies to the following Mfg. Nos.:

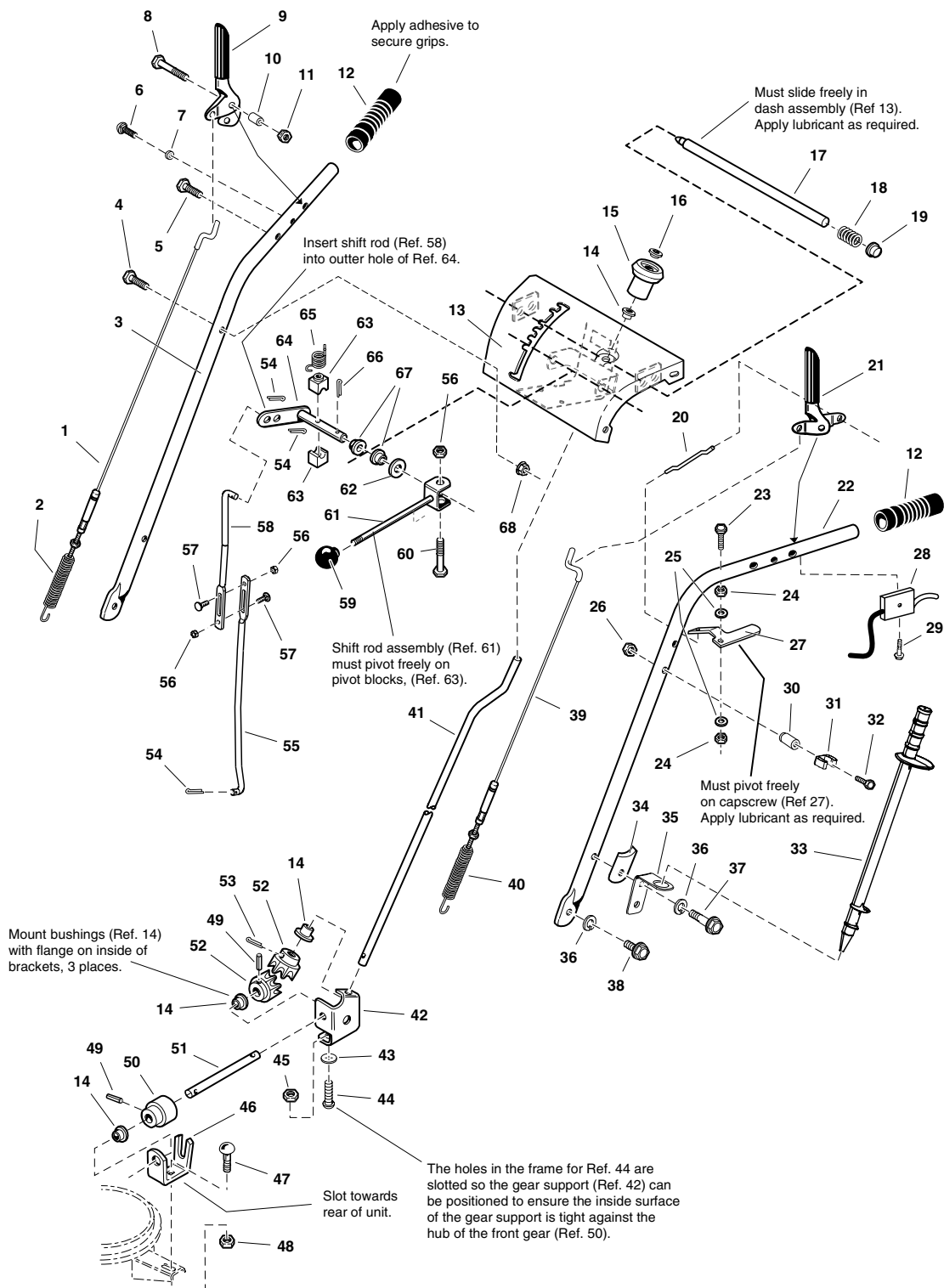
1694589 - 9560E

1694597 - 9560M

Handles and Controls Group - 9560 Models

986728

NOTE: Unless noted otherwise,
use the standard hardware torque
specification chart.



The above parts group applies to the following Mfg. Nos.:

- 1694589 - 9560E
- 1694597 - 9560M

Handles and Controls Group - 9560 Models

| REF NO | PART NO. | QTY. | DESCRIPTION |
|---------------|-----------------|-------------|--|
| 45 | 1960294 | 2 | NUT, Hex Flange, 1/4-20, Whiz Lock Small |
| 46 | 1611911 | 1 | SUPPORT, Worm |
| 47 | 1931333 | 1 | CARRIAGE BOLT, 5/16-18 x 3/4 G5 |
| 48 | 1960684 | 1 | NUT, Hex Keps, 5/16-18, Conical Washer |
| 49 | 2816168 | 2 | PIN, Spring 1/8 x 3/4 |
| 50 | 1668186 | 1 | WORM, Chute, L.H. |
| 51 | 1725283 | 1 | ROD, 3/8" Diameter, Chute Worm E-Coat |
| 52 | 1718593 | 2 | GEAR, Powdered Metal, Metafusion |
| 53 | 1918452 | 1 | PIN, Cotter 1/4 x 1 |
| 54 | 1722460 | 1 | PIN, Quick |
| 55 | 1666255 | 1 | ROD, 3/4" Diameter |
| 56 | 1960685 | 3 | NUT, Hex KEPS, 1/4-20, Conical Washer |
| 57 | 1931317 | 2 | CARRIAGE BOLT, 1/4-20 x 3/4 G5 |
| 58 | 1726304 | 1 | ROD, 3/4" Diameter, Shift Upper, 11-19/50 Long |
| 59 | 1726734 | 1 | KNOB, Intermediate Thread, 3/8-16 |
| 60 | 1960705 | 1 | SCREW, Hex Whiz Lock Flange, 1/4-20 x 2-1/4 |
| 61 | 1668523 | 1 | ROD AND CLEVIS ASSEMBLY, Shift, Threaded |
| 62 | 1924361 | 1 | WASHER, 1/2 |
| 63 | 1668524 | 2 | BLOCK, Pivot, 3/4 x 3/4, Powdered Metal |
| 64 | 1720240 | 1 | ROD AND ARM ASSEMBLY, Pivot |
| 65 | 1715123 | 1 | SPRING, Torsion |
| 66 | 1960074 | 1 | CLIP, Hair Pin |
| 67 | 1668185 | 2 | BUSHING, 1/2ID x 3/4OD x 1/4LG |
| 68 | 1960686 | 4 | NUT, Hex Flange, 5/16-18 ESNA |

Footnotes

The above parts group applies to the following Mfg. Nos.:

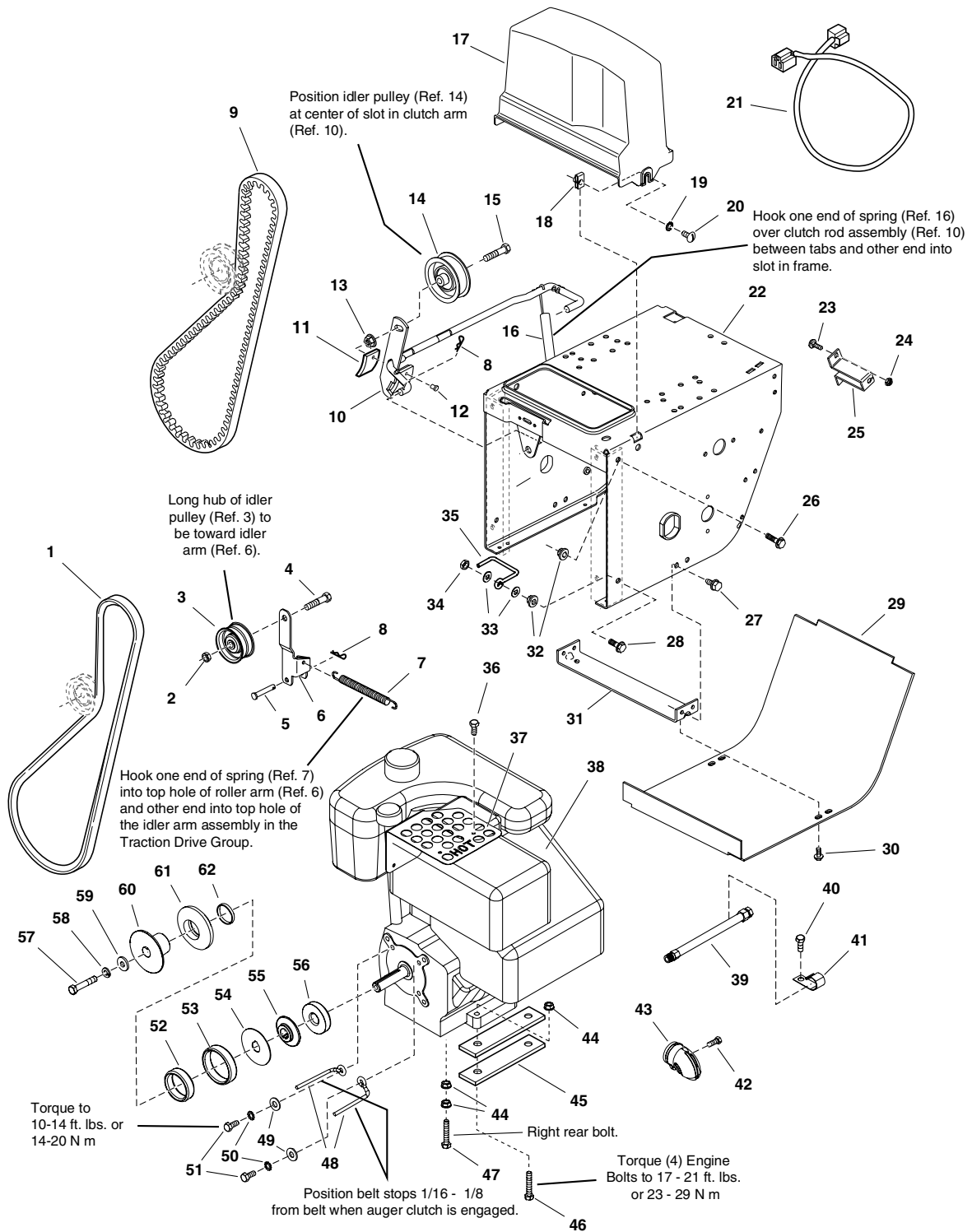
1694589 - 9560E

1694597 - 9560M

Engine and Frame Group with Power Boost

986732

NOTE: Unless noted otherwise,
use the standard hardware torque
specification chart.



The above parts group applies to the following Mfg. Nos.:

- | | |
|-----------------|-----------------|
| 1694590 - 1060E | 1694600 - 1280M |
| 1694591 - 1170E | 1694601 - 1390M |
| 1694592 - 1280E | |
| 1694593 - 1390E | |
| 1694598 - 1060M | |
| 1694599 - 1170M | |

Engine and Frame Group with Power Boost

| REF NO | PART NO. | QTY. | DESCRIPTION |
|--------|----------|------|--|
| 1 | 1700415 | 1 | V-BELT, 3L (Used on all models Except 1390 Models) |
| 1 | 1672732 | 1 | V-BELT, 3L (Used Only on 1390 Models) |
| 2 | 1928731 | 1 | NUT, Hex, Toplock, Jam, 3/8-16 |
| 3 | 1668477 | 1 | PULLEY, Idler |
| 4 | 1960647 | 1 | SCREW, Hex Head, 3/8-16 x 1-1/2 |
| 5 | 1665994 | 1 | PIN, Flat Head Drilled |
| 6 | 1703046A | 2 | ARM, Idler, 5-3/4 LG |
| 7 | 1727149 | 1 | SPRING, Extension |
| 8 | 1722460 | 1 | PIN, Quick |
| 9 | 1676460 | 2 | V-BELT, HA (Used on all models Except 1390 Models) |
| 9 | 1701257 | 1 | V-BELT, HA (Used Only on 1390 Models) |
| 10 | 1727058A | 1 | ROD AND ARM ASSEMBLY, Clutch, Brake w/Pad |
| 11 | 1669313 | 1 | PAD, Brake |
| 12 | 2825160 | 1 | RIVET, Pop |
| 13 | 1928352 | 1 | NUT, Hex Flange, 3/8-16 Whiz Lock Large |
| 14 | 1726348 | 1 | PULLEY, Idler |
| 15 | 2860709 | 1 | SCREW, Hex Whiz Lock Flange, 3/8-16 x 1-3/4 |
| 16 | 1727059 | 1 | SPRING, Extension |
| 17 | 1725287 | 2 | COVER, Belt |
| 18 | 1935255 | 1 | NUT, Speed, 5/16-18, Lug Type |
| 19 | 2820426 | 2 | LOCKWASHER, External Tooth, 5/16 |
| 20 | 1918249 | 2 | SCREW, Truss head Slotted, 5/16-18 x 3/4 |
| 21 | 1724064 | 1 | CORD, Electric Extension |
| 22 | 1726568C | 4 | FRAME ASSEMBLY, Chain/Tube Handles |
| 23 | 1931317 | 1 | CARRIAGE BOLT, 1/4-20 x 3/4 G5 |
| 24 | 1960685 | 2 | NUT, Hex KEPS, 1/4-20, Conical Washer |
| 25 | 1720404A | 4 | SUPPORT, Clutch Cable, 16GA |
| 26 | 1930591 | 1 | SCREW, Hex Whiz Lock Flange, 5/16-18 x 3/4 |
| 27 | 1664847 | 1 | SCREW, Hex Washer Head Taptite, 5/16-18 x 3/4 |
| 28 | 1930595 | 1 | SCREW, Hex Whiz, 31/100-18 x 1-1/4 |
| 29 | 1726870C | 4 | COVER, Bottom Frame, 20GA |
| 30 | 1925003 | 1 | SCREW, Hex Washer Head Taptite, 1/4-20 x 1/2 |
| 31 | 1727004A | 2 | SUPPORT, Tie Bar |
| 32 | 1927557 | 4 | NUT, Hex Flange, 5/16-18, Whiz Lock Large |
| 33 | 1919326 | 1 | WASHER, Flat, 11/32 x 3/4 x 1/16 |
| 34 | 1923362 | 1 | NUT, Hex Centerlock, 5/16-18 |
| 35 | 1702969 | 1 | BELT STOP |
| 36 | 1929477 | 1 | SCREW, Hex Washer Head Taptite, #10-24 x 1/2 |
| 37 | 1725664A | 1 | GUARD, Muffler, 18GA |
| 38 | * | 1 | ENGINE, 9.5HP B&S Electric Start Model: 20G4140 Type: 111E1 |
| 38 | * | 1 | ENGINE, 9.5HP B&S Electric Start (CE) Model: 20G4160 Type: 110E1 |
| 39 | 1726942 | 2 | HOSE, Oil Drain, w/Fittings |
| 40 | 1664847 | 1 | CAPSCREW, Hex Washer Head, 5/16-18 x 3/4 |
| 41 | 1727068 | 1 | CLIP, "J" |

Footnotes

Note* See your local Briggs & Stratton distributor for Parts & Service.

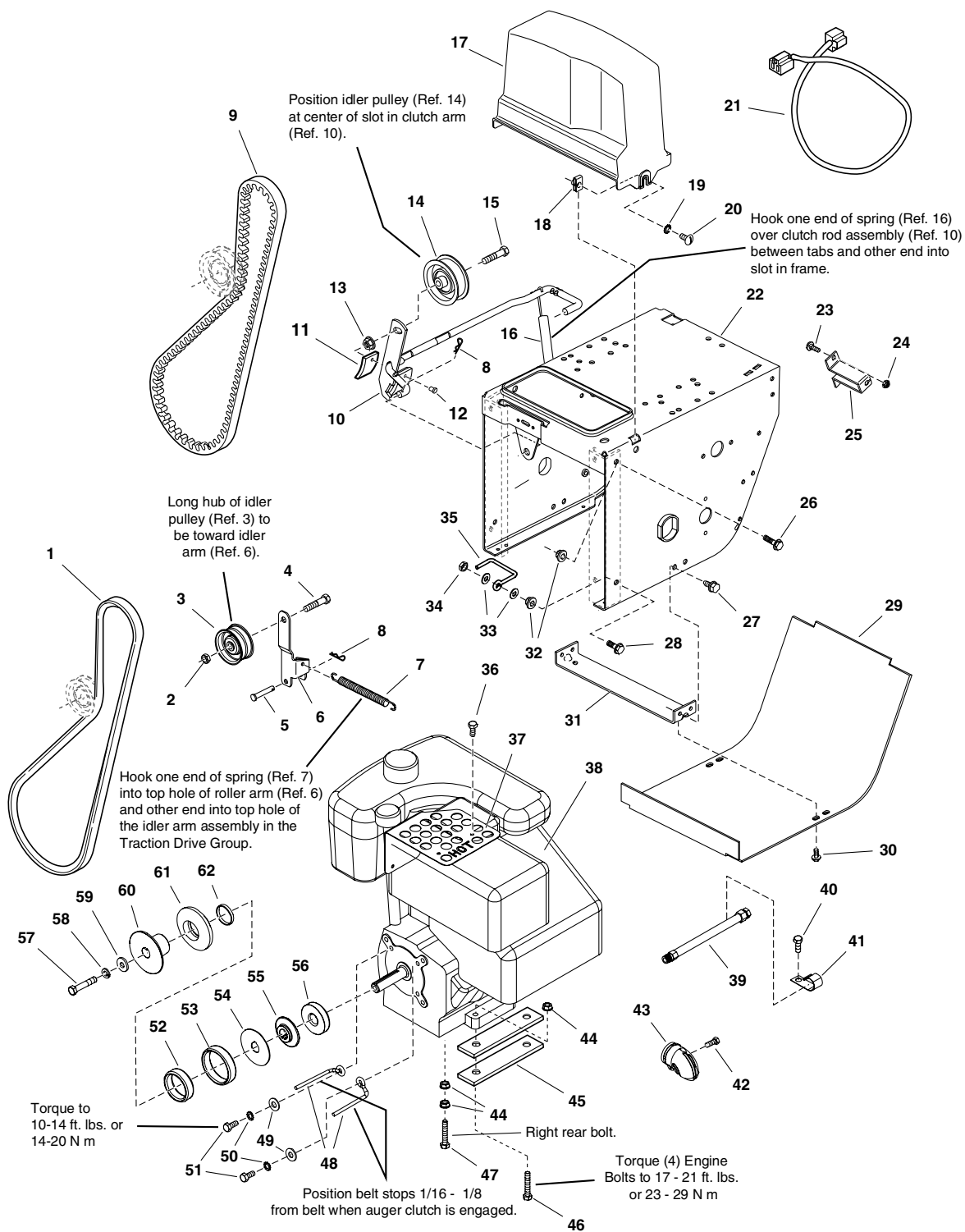
The above parts group applies to the following Mfg. Nos.:

1694590 - 1060E
 1694591 - 1170E
 1694592 - 1280E
 1694593 - 1390E
 1694598 - 1060M
 1694599 - 1170M

Engine and Frame Group with Power Boost

986732

NOTE: Unless noted otherwise, use the standard hardware torque specification chart.



The above parts group applies to the following Mfg. Nos.:

- 1694590 - 1060E
- 1694591 - 1170E
- 1694592 - 1280E
- 1694593 - 1390E
- 1694598 - 1060M
- 1694599 - 1170M
- 1694600 - 1280M
- 1694601 - 1390M

Engine and Frame Group with Power Boost

| REF NO | PART NO. | QTY. | DESCRIPTION |
|---------------|-----------------|-------------|--|
| 42 | 1727033 | 1 | SCREW, Muffler Deflector |
| 43 | 1727032 | 3 | DEFLECTOR, Rain Guard, B&S Snow Muffler |
| 44 | 2831277 | 3 | NUT, Hex Flange, 5/16-18, Whiz Lock Small |
| 45 | 1725326C | 1 | SUPPORT, Engine Riser (Used on all models Except 1390 Models) |
| 46 | 1935159 | 1 | CAPSCREW, Hex Whiz Lock Flange, 5/16-18 x 2-1/4 (Used on all models Except 1390 Models) |
| 46 | 1921221 | 1 | CAPSCREW, Hex Head, 5/16-18 x 1-1/2 G5 (Used Only on 1390 Models) |
| 47 | 2860551 | 4 | CAPSCREW, Hex Washer Head Taptite, 5/16-18 x 2-1/2 (Used on all models Except 1390 Models) |
| 47 | 2822127 | 3 | CAPSCREW, Hex Head 5/16-18 x 1-3/4 G5 (Used Only on 1390 Models) |
| 48 | 1668174 | 1 | STOP, Belt |
| 49 | 1919326 | 2 | WASHER, 5/16 |
| 50 | 1917356 | 2 | LOCKWASHER, Spring, 5/16 |
| 51 | 1921515 | 1 | CAPSCREW, Hex Head, 5/16-24 x 3/4 G5 |
| 52 | 1701849 | 1 | SPRING, Compression |
| 53 | 1702425 | 1 | SPRING, Compression |
| 54 | 1701818 | 1 | WASHER, Thrust |
| 55 | 1726869 | 1 | PULLEY HALF, Middle |
| 56 | 1726868 | 1 | PULLEY HALF, Inside |
| 57 | 1922128 | 1 | CAPSCREW, Hex Head, 3/8-24 x 1-1/2 G8 |
| 58 | 1916965 | 1 | LOCKWASHER, Spring, 3/8 |
| 59 | 1922755 | 1 | WASHER, 3/8 |
| 60 | 1726864 | 1 | PULLEY HALF, Outside |
| 61 | 1726863 | 1 | PULLEY HALF, Middle |
| 62 | 1701825 | 1 | WICK, Felt, Oil |

Footnotes

Note* See your local Briggs & Stratton distributor for Parts & Service.

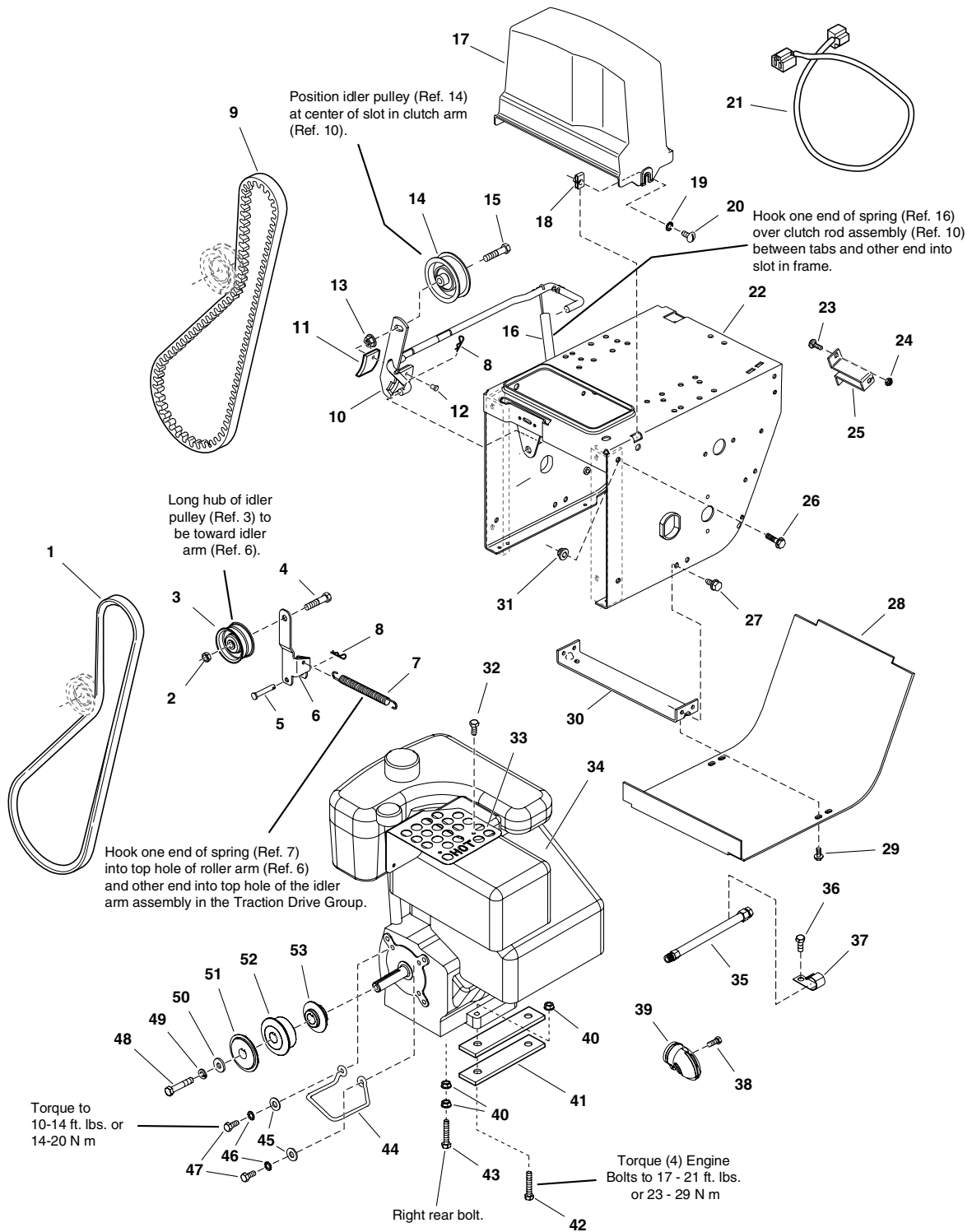
The above parts group applies to the following Mfg. Nos.:

1694590 - 1060E
1694591 - 1170E
1694592 - 1280E
1694593 - 1390E
1694598 - 1060M
1694599 - 1170M

Engine and Frame Group without Power Boost

986730

NOTE: Unless noted otherwise,
use the standard hardware torque
specification chart.



The above parts group applies to the following Mfg. Nos.:

1694589 - 9560E
1694597 - 9560M

Engine and Frame Group without Power Boost

| REF NO | PART NO. | QTY. | DESCRIPTION |
|--------|----------|------|---|
| 1 | 1700415 | 1 | V-BELT, 3L (Used on all models Except 1390 Models) |
| 1 | 1672732 | 1 | V-BELT, 3L (Used Only on 1390 Models) |
| 2 | 1928731 | 1 | NUT, Hex, Toplock, Jam, 3/8-16 |
| 3 | 1668477 | 1 | PULLEY, Idler |
| 4 | 1960647 | 1 | SCREW, Hex Head, 3/8-16 x 1-1/2 |
| 5 | 1665994 | 1 | PIN, Flat Head Drilled |
| 6 | 1703046A | 2 | ARM, Idler, 5-3/4 LG |
| 7 | 1727149 | 1 | SPRING, Extension |
| 8 | 1722460 | 1 | PIN, Quick |
| 9 | 1725416 | 2 | V-BELT, HA (Used on all models Except 1390 Models) |
| 9 | 1666655 | 1 | V-BELT, HA (Used Only on 1390 Models) |
| 10 | 1727058A | 1 | ROD AND ARM ASSEMBLY, Clutch, Brake w/Pad |
| 11 | 1669313 | 1 | PAD, Brake |
| 12 | 2825160 | 1 | RIVET, Pop |
| 13 | 1928352 | 1 | NUT, Hex Flange, 3/8-16 Whiz Lock Large |
| 14 | 1726348 | 1 | PULLEY, Idler |
| 15 | 2860709 | 1 | SCREW, Hex Whiz Lock Flange, 3/8-16 x 1-3/4 |
| 16 | 1727059 | 1 | SPRING, Extension |
| 17 | 1725287 | 2 | COVER, Belt |
| 18 | 1935255 | 1 | NUT, Speed, 5/16-18, Lug Type |
| 19 | 2820426 | 2 | LOCKWASHER, External Tooth, 5/16 |
| 20 | 1918249 | 2 | SCREW, Truss head Slotted, 5/16-18 x 3/4 |
| 21 | 1724064 | 1 | CORD, Electric Extension |
| 22 | 1726568D | 4 | FRAME ASSEMBLY, Chain/Tube Handles |
| 23 | 1931317 | 1 | CARRIAGE BOLT, 1/4-20 x 3/4 G5 |
| 24 | 1960685 | 2 | NUT, Hex KEPS, 1/4-20, Conical Washer |
| 25 | 1720404A | 4 | SUPPORT, Clutch Cable, 16GA |
| 26 | 1930591 | 1 | SCREW, Hex Whiz Lock Flange, 5/16-18 x 3/4 |
| 27 | 1664847 | 1 | SCREW, Hex Washer Head Taptite, 5/16-18 x 3/4 |
| 28 | 1726870D | 4 | COVER, Bottom Frame, 20GA |
| 29 | 1925003 | 1 | SCREW, Hex Washer Head Taptite, 1/4-20 x 1/2 |
| 30 | 41727004 | 2 | SUPPORT, Tie Bar |
| 31 | 1927557 | 4 | NUT, Hex Flange, 5/16-18, Whiz Lock Large |
| 32 | 1725664A | 1 | GUARD, Muffler, 18GA |
| 33 | 1929477 | 1 | SCREW, Hex Washer Head Taptite, #10-24 x 1/2 |
| 34 | * | 1 | ENGINE, 9.5HP B&S Electric Start Model: 20G4140 Type: 111E1 |
| 34 | * | 1 | ENGINE, 9.5HP B&S Electric Start (CE) Model: 20G4160 Type: 110E1 |
| 35 | 1726942 | 2 | HOSE, Oil Drain, w/Fittings |
| 36 | 1664847 | 1 | CAPSCREW, Hex Washer Head, 5/16-18 x 3/4 |
| 37 | 1727068 | 1 | CLIP, "J" |
| 38 | 1727033 | 1 | SCREW, Muffler Deflector |
| 39 | 1727032 | 3 | DEFLECTOR, Rain Guard, B&S Snow Muffler |
| 40 | 2831277 | 5 | NUT, Hex Flange, 5/16-18, Whiz Lock Small (Quantity 4 used only on 9560 Models) |
| 41 | 1725326C | 1 | SUPPORT, Engine Riser (Used on all models Except 1390 Models) |

Footnotes

Note* See your local Briggs & Stratton distributor for Parts & Service.

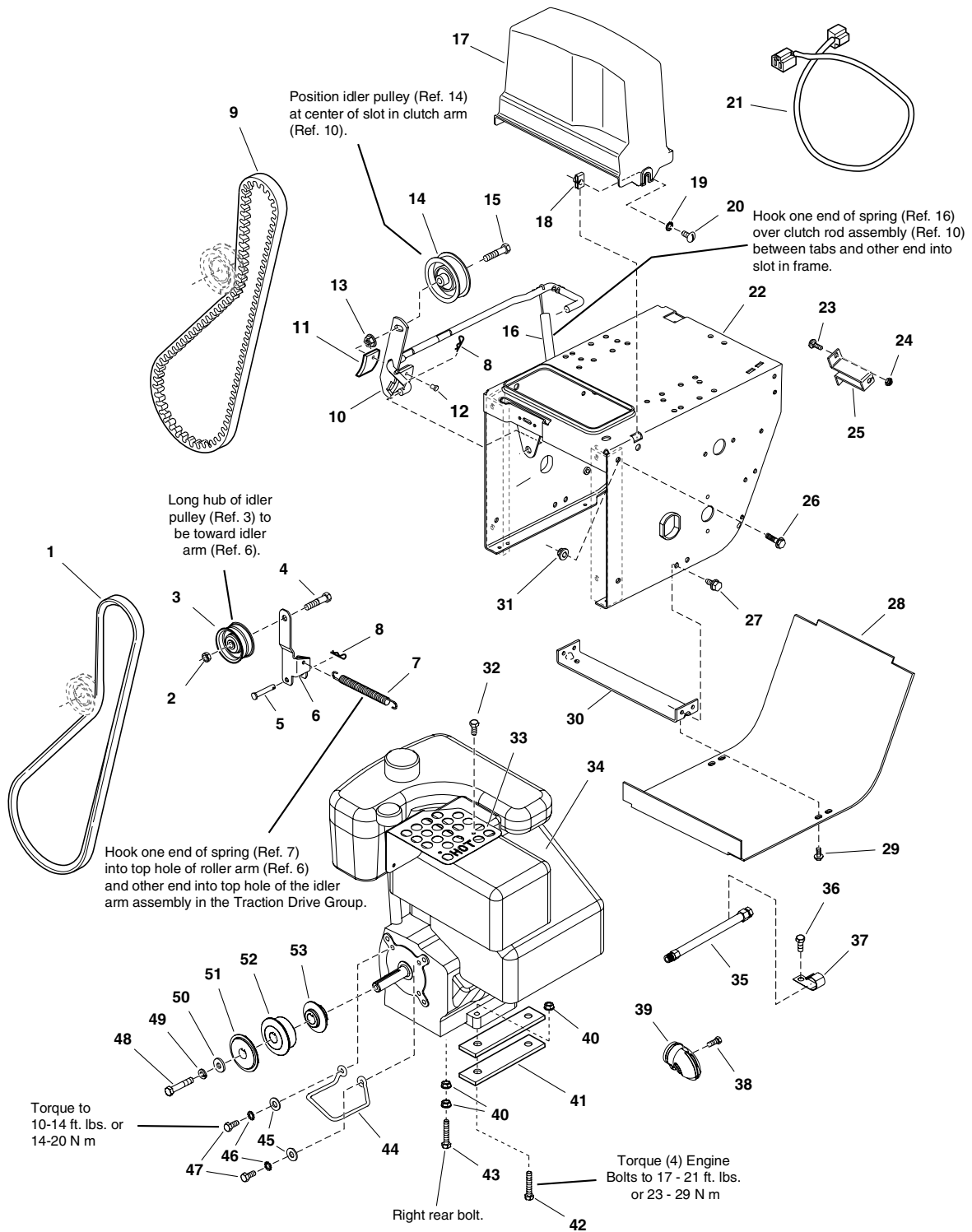
The above parts group applies to the following Mfg. Nos.:

1694589 - 9560E
1694597 - 9560M

Engine and Frame Group without Power Boost

986730

NOTE: Unless noted otherwise, use the standard hardware torque specification chart.



The above parts group applies to the following Mfg. Nos.:

- 1694589 - 9560E
- 1694597 - 9560M

Engine and Frame Group without Power Boost

| REF NO | PART NO. | QTY. | DESCRIPTION |
|---------------|-----------------|-------------|--|
| 42 | 1935159 | 1 | CAPSCREW, Hex Whiz Lock Flange, 5/16-18 x 2-1/4 (Used on all models Except 1390 Models) |
| 42 | 1921221 | 1 | CAPSCREW, Hex Head, 5/16-18 x 1-1/2 G5 (Used only on 1390 Models) |
| 43 | 2860551 | 4 | CAPSCREW, Hex Washer Head Taptite, 5/16-18 x 2-1/2 (Used on all models Except 1390 Models) |
| 43 | 2822127 | 3 | CAPSCREW, Hex Head 5/16-18 x 1-3/4 G5 (Used only on 1390 Models) |
| 44 | 1668174 | 1 | STOP, Belt |
| 45 | 1919326 | 2 | WASHER, 5/16 |
| 46 | 1917356 | 2 | LOCKWASHER, Spring, 5/16 |
| 47 | 1921515 | 1 | CAPSCREW, Hex Head, 5/16-24 x 3/4 G5 |
| 48 | 1922128 | 1 | CAPSCREW, Hex Head, 3/8-24 x 1-1/2 G8 |
| 49 | 1916965 | 1 | LOCKWASHER, Spring, 3/8 |
| 50 | 1922755 | 1 | WASHER, 3/8 |
| 51 | 1726867 | 1 | PULLEY, Engine Outside, Powdered Metal |
| 52 | 1726866 | 1 | PULLEY, Engine Middle, Powdered Metal |
| 53 | 1726865 | 1 | PULLEY, Half Powdered Metal |

Footnotes

Note* See your local Briggs & Stratton distributor for Parts & Service.

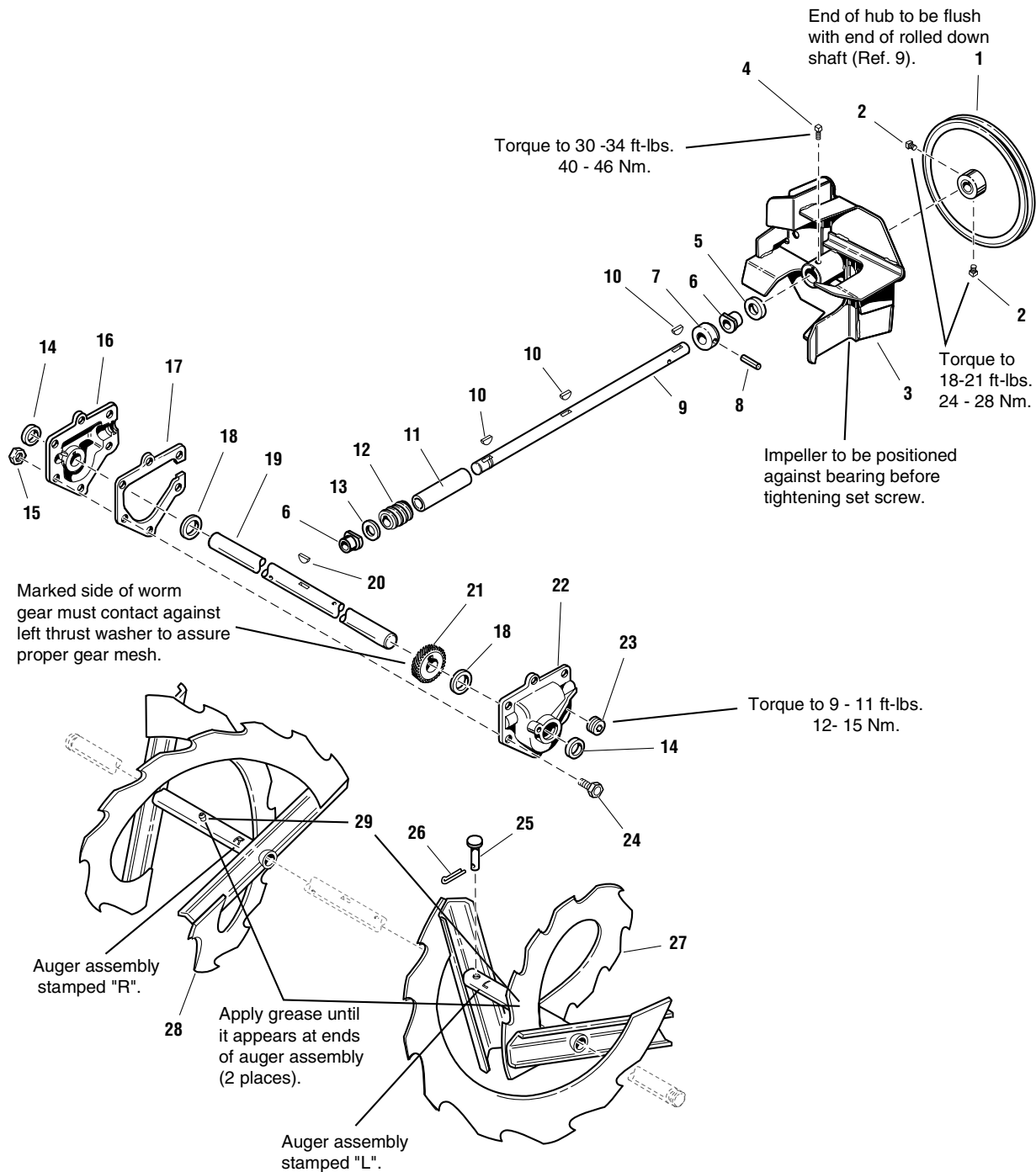
The above parts group applies to the following Mfg. Nos.:

1694589 - 9560E
1694597 - 9560M

Auger and Impeller Group

985466

NOTE: Unless noted otherwise,
use the standard hardware torque
specification chart.



The above parts group applies to the following Mfg. Nos.:

- | | |
|-----------------|-----------------|
| 1694589 - 9560E | 1694598 - 1060M |
| 1694590 - 1060E | 1694599 - 1170M |
| 1694591 - 1170E | 1694600 - 1280M |
| 1694592 - 1280E | 1694601 - 1390M |
| 1694593 - 1390E | |
| 1694597 - 9560M | |

Auger and Impeller Group

| REF NO | PART NO. | QTY. | DESCRIPTION |
|--------|----------|------|--|
| 1 | 1679293 | 1 | PULLEY, w/Hub |
| 2 | 1928721 | 2 | SCREW, Set Square Head Cup Point, 5/16-18 x 1/2 G8 |
| 3 | 1612187A | 1 | IMPELLER ASSEMBLY |
| 4 | 1960474 | 1 | SCREW, Set Square Head Cup Point, 3/8-16 x 1/2 G8 |
| 5 | 1612093 | 1 | SEAL, Oil 1/4" Thick |
| 6 | 1612149 | 2 | BUSHING, 377/500 ID x 1-1/10 OD x 1-1/100 LG Powderdered Metal |
| 7 | 1612127 | 1 | COLLAR, Thrust 3/4 LG |
| 8 | 2836098 | 1 | PIN, Drive Lock Type A 3/16 x 1-1/2 |
| 9 | 1612129 | 1 | SHAFT, Worm 18-1/10 LG |
| 10 | 2818312 | 3 | KEY, Woodruff, 47/250 x 5/8 |
| 11 | 1612111 | 1 | TUBE, 9/10 OD 39/50 ID, 7-1/2 LG |
| 12 | 1612142 | 1 | GEAR, Worm 1-3/8 LG |
| 13 | 2168111 | 1 | WASHER, Thrust |
| 14 | 2118118 | 2 | SEAL, Oil, 1/4" Thick |
| 15 | 1923358 | 6 | LOCKNUT, Hex, 1/4-20 Qauntity 8 used on 38 in. Models |
| 16 | 1612137 | 1 | CASE, Gear R.H. |
| 17 | 1612124 | 1 | GASKET, Gear Case |
| 18 | 2118315 | 2 | WASHER, Thrust |
| 19 | 1612117 | 1 | SHAFT, 16 LG Auger 3 Holes |
| 20 | 2830246 | 1 | KEY, Woodruff 1/4 x 3/4 |
| 21 | 1612141 | 1 | GEAR, Worm 7/8 LG |
| 22 | 1612136 | 1 | CASE, Gear L.H. |
| 23 | 1668971 | 1 | PLUG, Pipe, Tapered, 1/8 Used on 38 in. Models |
| 24 | 1960346 | 6 | CAPSCREW, Hex Head, 1/4-20 x 2-1/4 G5 Quantity 4 used on 38 in. Models |
| 25 | 1668344 | 2 | PIN, Flat Head Drilled |
| 26 | 1918447 | 2 | PIN, Cotter 47/50 x 3/4 |
| 27 | 1718782A | 1 | AUGER ASSEMBLY, L.H. 9-1/2 LG Used on 24 in. Models |
| 27 | 1718784A | 1 | AUGER ASSEMBLY, L.H. 11-1/2 LG Used on 28 in. Models |
| 27 | 1718786A | 1 | AUGER ASSEMBLY, L.H. 13-1/2 LG Used on 32 in. Models |
| 28 | 1718783A | 1 | AUGER ASSEMBLY, R.H. 9-1/2 LG Used on 24 in. Models |
| 28 | 1718785A | 1 | AUGER ASSEMBLY, R.H. 11-1/2 LG Used on 28 in. Models |
| 28 | 1718787A | 1 | AUGER ASSEMBLY, R.H. 13-1/2 LG Used on 32 in. Models |
| 29 | 2821133 | 2 | FITTING, Lube 1/4 Drive, No Check Ball |

Footnotes

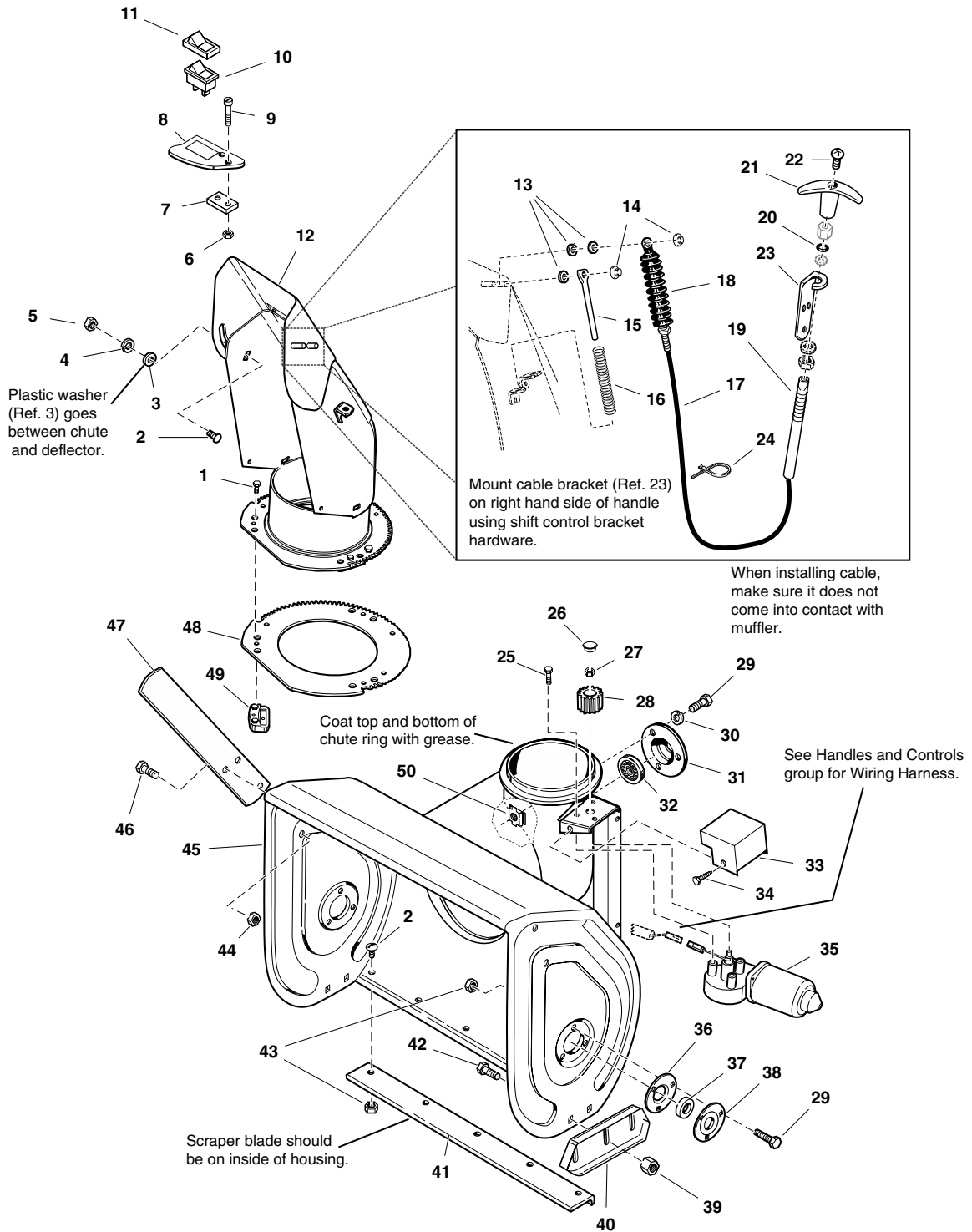
The above parts group applies to the following Mfg. Nos.:

| | |
|-----------------|-----------------|
| 1694589 - 9560E | 1694598 - 1060M |
| 1694590 - 1060E | 1694599 - 1170M |
| 1694591 - 1170E | 1694600 - 1280M |
| 1694592 - 1280E | 1694601 - 1390M |
| 1694593 - 1390E | |
| 1694597 - 9560M | |

Auger Housing and Chute Group - 38" Models

986720

NOTE: Unless noted otherwise,
use the standard hardware torque
specification chart.



The above parts group applies to the following Mfg. Nos.:

1694593 - 1390E

1694601 - 1390M

Auger Housing and Chute Group - 38" Models

| REF NO | PART NO. | QTY. | DESCRIPTION |
|--------|----------|------|--|
| 1 | 1960001 | 3 | SCREW, Hex Washer Head Pastite, 10-14 x 5/8 |
| 2 | 1931333 | 10 | CARRIAGE BOLT, 5/16-18 x 3/4 G5 |
| 3 | 2860210 | 1 | WASHER, Special, 97/250ID x 1-3/25OD x 3/100 Thick |
| 4 | 1919326 | 1 | WASHER, 5/16 |
| 5 | 1919438 | 1 | NUT, Hex Lock ESNA Light, 5/16-18NC-3B |
| 6 | 1933896 | 2 | NUT, Hex Nylon 10-24 |
| 7 | 1725427C | 1 | BRACKET, Mounting Switch Bottom |
| 8 | 1725426C | 1 | BRACKET, Mounting Switch Top |
| 9 | 1960725 | 1 | SCREW, 10-24 x 1.75 |
| 10 | 1724205 | 1 | SWITCH, Rocker Chute |
| 11 | 1725696 | 1 | BOOT, Rocker Switch |
| 12 | 1727194C | 1 | CHUTE AND DEFLECTOR ASSEMBLY, Riveted, w/Pigtail |
| 13 | 1702219 | 3 | SPACER, Heat Treated |
| 14 | 1960126 | 2 | NUT, Push Pal, 1/4" Diameter Stud Capped |
| 15 | 1611945 | 1 | ROD, 5/16" Diameter, Spring Guide |
| 16 | 1611939 | 1 | SPRING, Complete |
| 17 | 1720446 | 1 | CABLE AND KNOB ASSEMBLY, Chute (Includes Ref. No. 18, 19, 20, 21 & 22) |
| 18 | 1611989 | 1 | BOOT, Bellows |
| 19 | 1719140 | 1 | COLLET |
| 20 | 1719139 | 1 | SEAL, Rod |
| 21 | 1719138 | 1 | KNOB |
| 22 | 1960600 | 1 | SCREW, 8-32 |
| 23 | 1726411A | 1 | SUPPORT, Cable |
| 24 | 2825094 | 1 | TIE, Self Locking |
| 25 | 2860664 | 3 | SCREW, Hex Sems Washer, 1/4-20 x 7/8 |
| 26 | 1724553 | 1 | CAPLUG, For 3/4" Hole |
| 27 | 1960685 | 1 | NUT, Hex KEPS, 1/4-20, Conical Washer |
| 28 | 1724604 | 1 | PINION, 1-3/20 LG |
| 29 | 1925205 | 9 | CAPSCREW, Hex Head, 5/16-18 x 5/8 G5 |
| 30 | 1917356 | 3 | LOCKWASHER, Spring, 5/16 |
| 31 | 1665982A | 1 | RETAINER, Bearing |
| 32 | 2108202 | 1 | BEARING, Ball |
| 33 | 1723930A | 1 | COVER, Pinion, 18GA |
| 34 | 1925003 | 2 | CAPSCREW, Hex Washer Head Taptite, 1/4-20 x 1/2 |
| 35 | 1715885 | 1 | MOTOR, Electric 60" Mower Rocky |
| 36 | 2172279A | 2 | FLANGE, Bearing, w/Fitting |
| 37 | 2173934 | 2 | BEARING, Cartridge |
| 38 | 2172278A | 2 | FLANGE, Bearing, 3/8" Deep |
| 39 | 1960687 | 4 | NUT, Hex Flange, 3/8-16 ESNA |
| 40 | 1725747A | 2 | SKID SHOE, 7GA Formed, Heat Treated |
| 41 | 61723921 | 1 | BLADE, Scraper, 35-3/4 for 38" |
| 42 | 1960702 | 4 | CARRIAGE BOLT, 3/8-16 x 1 G5 |
| 43 | 1935048 | 15 | NUT, Hex Flange, 5/16-18, Two-Way Lock GA |
| 44 | 1960684 | 4 | NUT, Hex Keps, 5/16-18, Conical Washer |

Footnotes

The above parts group applies to the following Mfg. Nos.:

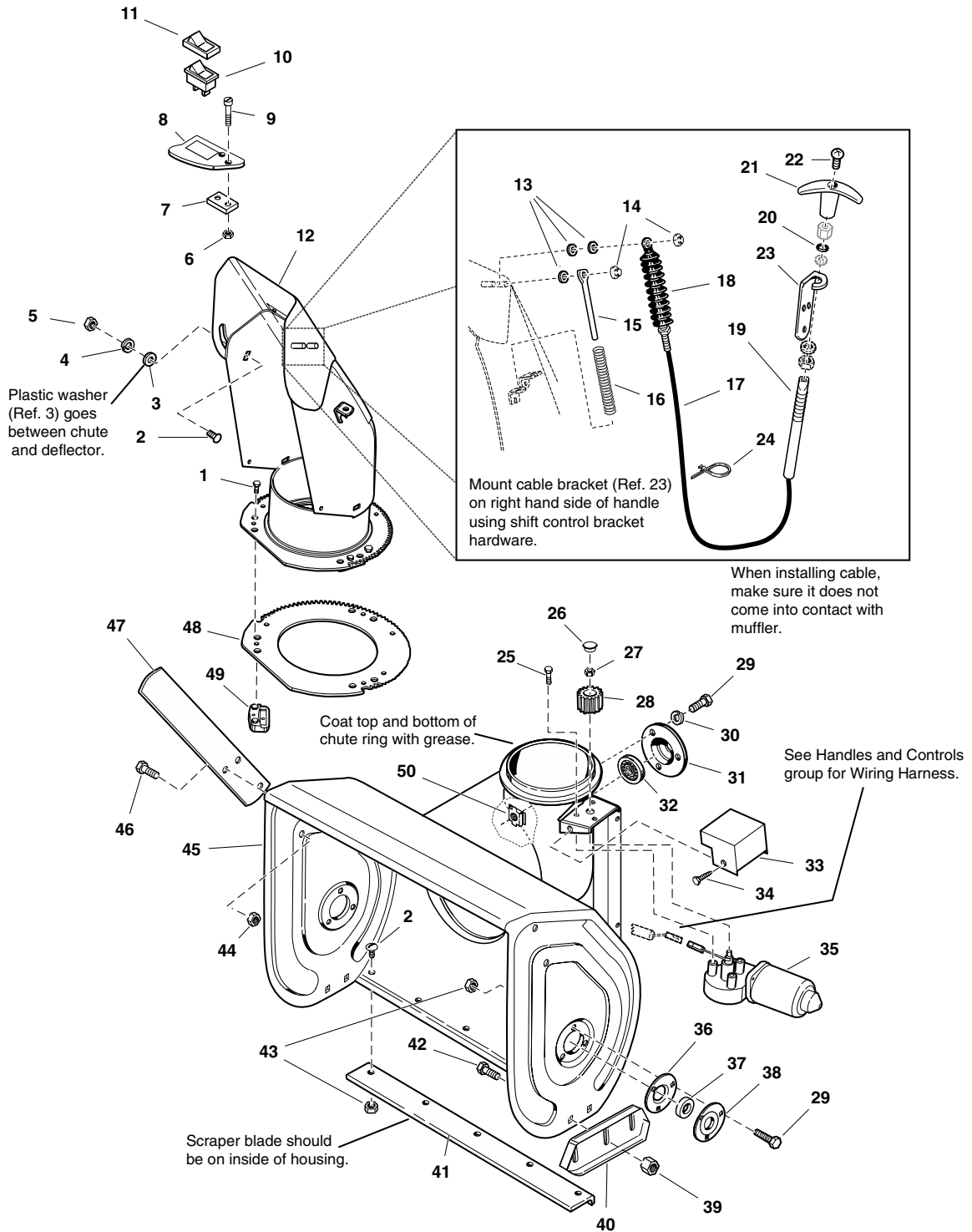
1694593 - 1390E

1694601 - 1390M

Auger Housing and Chute Group - 38" Models

986720

NOTE: Unless noted otherwise,
use the standard hardware torque
specification chart.



The above parts group applies to the following Mfg. Nos.:

1694593 - 1390E

1694601 - 1390M

Auger Housing and Chute Group - 38" Models

| REF NO | PART NO. | QTY. | DESCRIPTION |
|---------------|-----------------|-------------|--------------------------------------|
| 45 | 1723902C | 1 | HOUSING AND IMPELLER ASSEMBLY, 38" |
| 46 | 1921332 | 4 | CAPSCREW, Hex Head, 5/16-18 x 3/4 G5 |
| 47 | 1715787C | 2 | CUTTER, Drift, 1/4" Thick, 20LG |
| 48 | 1666613 | 3 | HOLD DOWN, Chute |
| 49 | 1717477A | 1 | GEAR, Chute |
| 50 | 1930659 | 3 | NUT, Retainer Speed, 5/16-18 |

Footnotes

The above parts group applies to the following Mfg. Nos.:

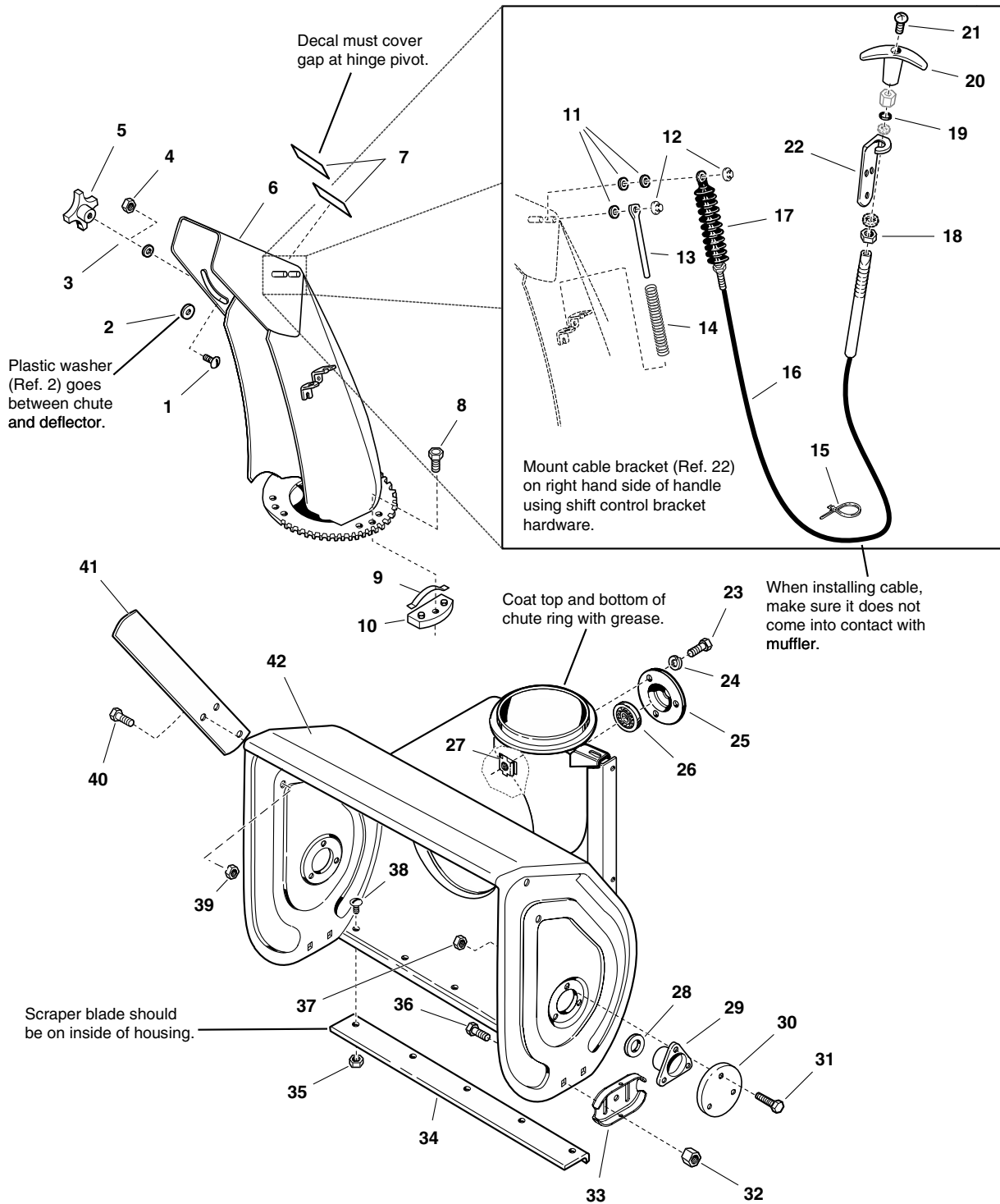
1694593 - 1390E

1694601 - 1390M

Auger Housing and Chute Group - 9560, 1060, 1170 & 1280 Models

986713

NOTE: Unless noted otherwise, use the standard hardware torque specification chart.



The above parts group applies to the following Mfg. Nos.:

- | | |
|-----------------|-----------------|
| 1694589 - 9560E | 1694599 - 1170M |
| 1694590 - 1060E | 1694600 - 1280M |
| 1694591 - 1170E | |
| 1694592 - 1280E | |
| 1694597 - 9560M | |
| 1694598 - 1060M | |

Auger Housing and Chute Group - 9560, 1060, 1170 & 1280 Models

| REF NO | PART NO. | QTY. | DESCRIPTION |
|--------|----------|------|--|
| 1 | 1931333 | 1 | CARRIAGE BOLT, 5/16-18 x 3/4 G5 |
| 2 | 2860210 | 1 | WASHER, Nylon |
| 3 | 1919326 | 1 | WASHER, 5/16 |
| 4 | 1919438 | 1 | NUT, Hex Lock ESNA Light, 5/16-18NC-3B (Used on all models Except 9560 Models) |
| 5 | 1670578 | 1 | KNOB, Internal Thread, 5/16 (Used Only on 9560 Models) |
| 6 | 1704161C | 1 | CHUTE AND DEFLECTOR ASSEMBLY, Manual (Used Only on 9560 Models) |
| 6 | 1720671C | 1 | CHUTE AND DEFLECTOR ASSEMBLY, w/Remote (Used on all models Except 9560 Models) |
| 7 | 1706085 | 2 | DECAL, Orange Strip |
| 8 | 1960001 | 3 | SCREW, Hex Washer Head Pastite, 10-14 x 5/8 |
| 9 | 1667865 | 3 | SPRING, Flat |
| 10 | 1666613 | 3 | HOLD DOWN, Chute |
| 11 | 1702219 | 3 | SPACER, 17/64 ID x 3/8 OD |
| 12 | 1960126 | 2 | NUT, Push 1/4 |
| 13 | 1611945 | 1 | ROD, Spring |
| 14 | 1611939 | 1 | SPRING, Compression |
| 15 | 2825094 | 1 | TIE, Self Locking (Used on all models Except 9560 Models) |
| 16 | 1720446 | 1 | CABLE AND KNOB ASSEMBLY, Chute (Includes Ref. No. 17, 18, 19, 20 & 21) |
| 17 | 1611989 | 1 | BOOT, Bellows |
| 18 | 1719140 | 1 | COLLET |
| 19 | 1719139 | 1 | SEAL, Rod |
| 20 | 1719138 | 1 | KNOB |
| 21 | 1960600 | 1 | SCREW, 8-32 |
| 22 | 1726411A | 1 | BRACKET, Cable |
| 23 | 1925205 | 3 | CAPSCREW, Hex Head, 5/16-18 x 5/8 G5 |
| 24 | 1917356 | 3 | LOCKWASHER, Spring, 5/16 |
| 25 | 1665982A | 1 | RETAINER, Bearing |
| 26 | 2108202 | 1 | BEARING, Ball |
| 27 | 1930659 | 3 | NUT, Retainer Speed, 5/16-18 |
| 28 | 1663189 | 2 | SPACER, Low |
| 29 | 1665980 | 1 | BEARING, Flange |
| 30 | 1668639C | 2 | CAP, Bearing, 3-3/4OD |
| 31 | 1923325 | 6 | CAPSCREW, Hex Head 5/16-18 x 7/8 G5 |
| 32 | 1960687 | 6 | NUT, Hex Flange 3/8-16 ESNA |
| 33 | 1726725 | 2 | SKID SHOE, Reversible |
| 34 | 1709946A | 1 | BLADE, Scraper, 24" (Used Only on 9560 & 1060 Models) |
| 34 | 1709947A | 1 | BLADE, Scraper, 28" (Used Only on 1170 Models) |
| 34 | 1709948A | 1 | BLADE, Scraper, 32" (Used Only on 1280 Models) |
| 35 | 1935048 | 5 | NUT, Hex Flange, 5/16-18, Two-Way Lock GA (Quantity 7 Only on 1280 Models) |
| 36 | 1960711 | 4 | CARRIAGE BOLT, 3/8-16 x 3/4 |
| 37 | 1923362 | 6 | NUT, Hex Centerlock, 5/16-18 |
| 38 | 1960699 | 5 | CARRIAGE BOLT, 5/16-18 x 5/8 G5 (Quantity 7 Only on 1280 Models) |
| 39 | 1960684 | 4 | NUT, Hex Keps, 5/16-18, Conical Washer (Used on all models Except 9560 Models) |
| 40 | 1921332 | 2 | CAPSCREW, Hex Head, 5/16-18 x 3/4 G5 (Used on all models Except 9560 Models) |

Footnotes

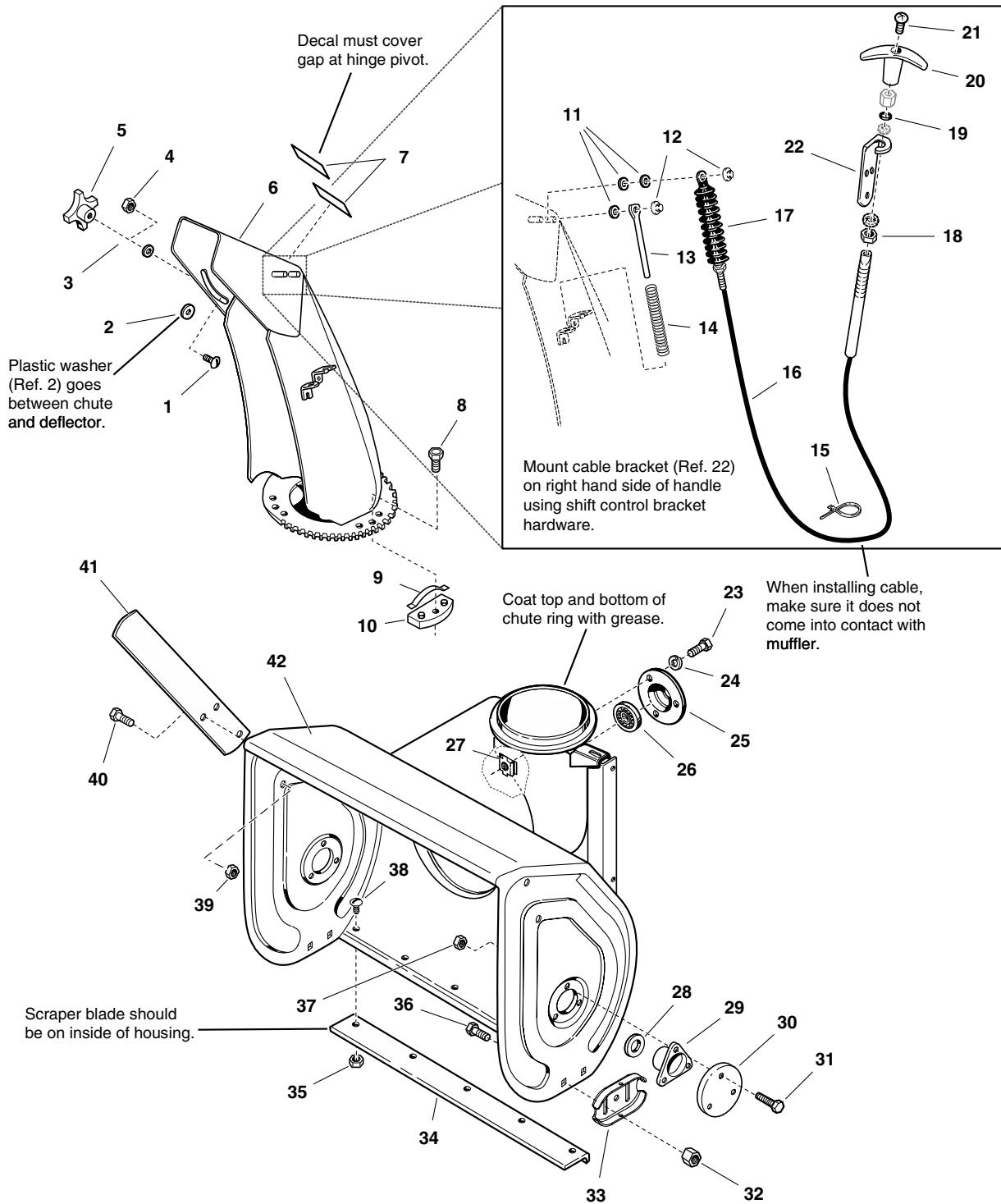
The above parts group applies to the following Mfg. Nos.:

1694589 - 9560E
 1694590 - 1060E
 1694591 - 1170E
 1694592 - 1280E
 1694597 - 9560M
 1694598 - 1060M

Auger Housing and Chute Group - 9560, 1060, 1170 & 1280 Models

986713

NOTE: Unless noted otherwise,
use the standard hardware torque
specification chart.



The above parts group applies to the following Mfg. Nos.:

- | | |
|-----------------|-----------------|
| 1694589 - 9560E | 1694599 - 1170M |
| 1694590 - 1060E | 1694600 - 1280M |
| 1694591 - 1170E | |
| 1694592 - 1280E | |
| 1694597 - 9560M | |
| 1694598 - 1060M | |

Auger Housing and Chute Group - 9560, 1060, 1170 & 1280 Models

| REF NO | PART NO. | QTY. | DESCRIPTION |
|---------------|-----------------|-------------|---|
| 42 | 1612184C | 1 | HOUSING AND IMPELLER ASSEMBLY, 24" (Used on 9560 & 1060 Models) |
| 42 | 1612185C | 1 | HOUSING AND IMPELLER ASSEMBLY, 28" (Used on 1170 Models) |
| 42 | 1612186C | 1 | HOUSING AND IMPELLER ASSEMBLY, 32" (Used on 1280 Models) |

Footnotes

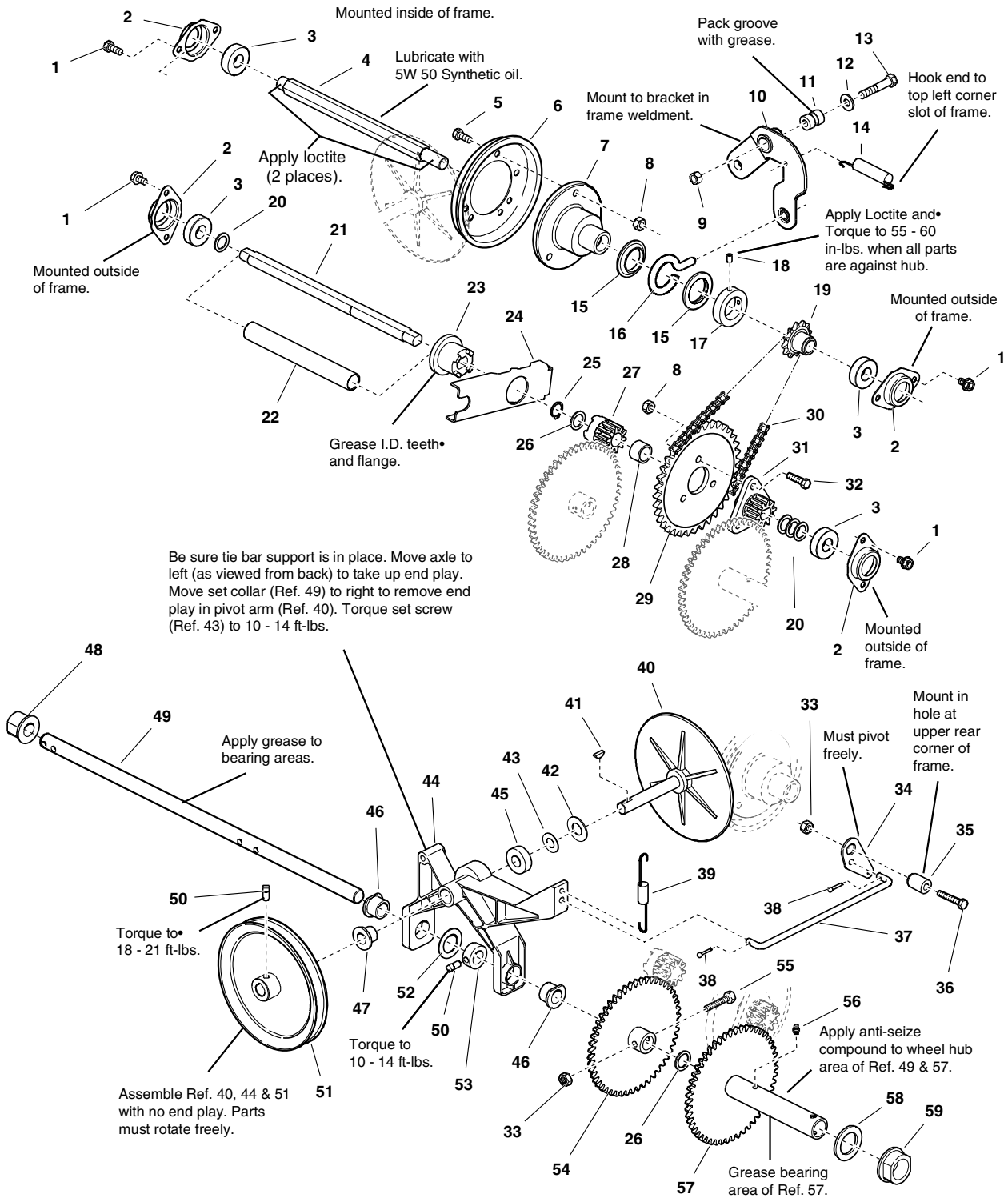
The above parts group applies to the following Mfg. Nos.:

1694589 - 9560E 1694599 - 1170M
1694590 - 1060E 1694600 - 1280M
1694591 - 1170E
1694592 - 1280E
1694597 - 9560M
1694598 - 1060M

Traction Drive Group

NOTE: Unless noted otherwise, use the standard hardware torque specification chart.

986712



The above parts group applies to the following Mfg. Nos.:

- | | |
|-----------------|-----------------|
| 1694589 - 9560E | 1694598 - 1060M |
| 1694590 - 1060E | 1694599 - 1170M |
| 1694591 - 1170E | 1694600 - 1280M |
| 1694592 - 1280E | 1694601 - 1390M |
| 1694593 - 1390E | |
| 1694597 - 9560M | |

Traction Drive Group

| REF NO | PART NO. | QTY. | DESCRIPTION |
|--------|----------|------|--|
| 1 | 1930601 | 8 | SCREW, Hex Washer Head Taptite, 5/16-18 x 5/8 |
| 2 | 1667341 | 4 | RETAINER, Bearing |
| 3 | 1722703 | 4 | BEARING, Ball |
| 4 | 1726856 | 1 | SHAFT, Hex |
| 5 | 1921332 | 3 | CAPSCREW, Hex Head, 5/16-18 x 3/4 G5 |
| 6 | 1725428 | 1 | DISC, Friction with Insert |
| 7 | 1665995 | 1 | HUB, Friction Disc |
| 8 | 1960684 | 6 | NUT, Hex Keps, 5/16-18, Conical Washer |
| 9 | 1960687 | 1 | NUT, Hex Flange, 3/8-16 ESNA |
| 10 | 1669256 | 1 | ARM ASSEMBLY, Shift w/Bushing |
| 11 | 1666114 | 1 | BUSHING, 19/50 ID x 3/4 OD x 1-3/100 LG |
| 12 | 1924940 | 1 | WASHER, 3/8 |
| 13 | 1923701 | 1 | CAPSCREW, Hex Head, 3/8-16 x 2 G5 |
| 14 | 1668255 | 1 | SPRING, Extension |
| 15 | 1678956 | 2 | COLLAR, Thrust |
| 16 | 1666207 | 1 | PIN, Loop |
| 17 | 1667335 | 1 | COLLAR, Set |
| 18 | 1724333 | 2 | SCREW, Set Square Head Cup Point, 1/4-20 x 1/2 |
| 19 | 1726931 | 1 | SPROCKET, 10 Tooth |
| 20 | 2860164 | 4 | WASHER, 5/8 |
| 21 | 1718752 | 1 | JACKSHAFT, Double D |
| 22 | 1720298 | 1 | SPRING, Complete |
| 23 | 1718689 | 1 | CLUTCH, Sliding, 1/5LG, Powdered Metal |
| 24 | 1720078A | 1 | ARM, Clutch |
| 25 | 2827732 | 1 | RING, Retaining Extension |
| 26 | 1960114 | 3 | WASHER, 3/4 |
| 27 | 1718688 | 1 | GEAR, Stationary Clutch |
| 28 | 1679556 | 1 | SPACER, Heat Treated, 31/100 LG |
| 29 | 1667330 | 1 | SPROCKET |
| 30 | 1666980 | 1 | CHAIN, Roller |
| 31 | 1718687 | 1 | GEAR, Double D |
| 32 | 1921333 | 3 | CAPSCREW, Hex Head, 5/16-18 x 1 G5 |
| 33 | 1960686 | 2 | NUT, Hex Flange, 5/16-18 ESNA |
| 34 | 1700473 | 1 | BELLCRANK |
| 35 | 1666106 | 1 | BUSHING, 11/32 ID x 3/4 OD x 1-3/50 LG |
| 36 | 1922127 | 1 | CAPSCREW, Hex Head, 5/16-18 x 1-3/4 G5 |
| 37 | 1726467 | 1 | ROD, Pivot, 9-15/100 LG |
| 38 | 1722460 | 1 | PIN, Quick |
| 39 | 1725666 | 1 | SPRING, Extension |
| 40 | 1719879 | 1 | DRIVE DISC with SPINDLE |
| 41 | 2818312 | 1 | KEY, Woodruff, 47/250 x 5/8 |
| 42 | 1960114 | 1 | WASHER, 3/4 |
| 43 | 1924366 | 1 | WASHER, 5/8 |
| 44 | 1670849 | 1 | ARM, Pivot with Bushings & Bearings (Includes Ref. Nos. 45, 46, 47 & 48) |

Footnotes

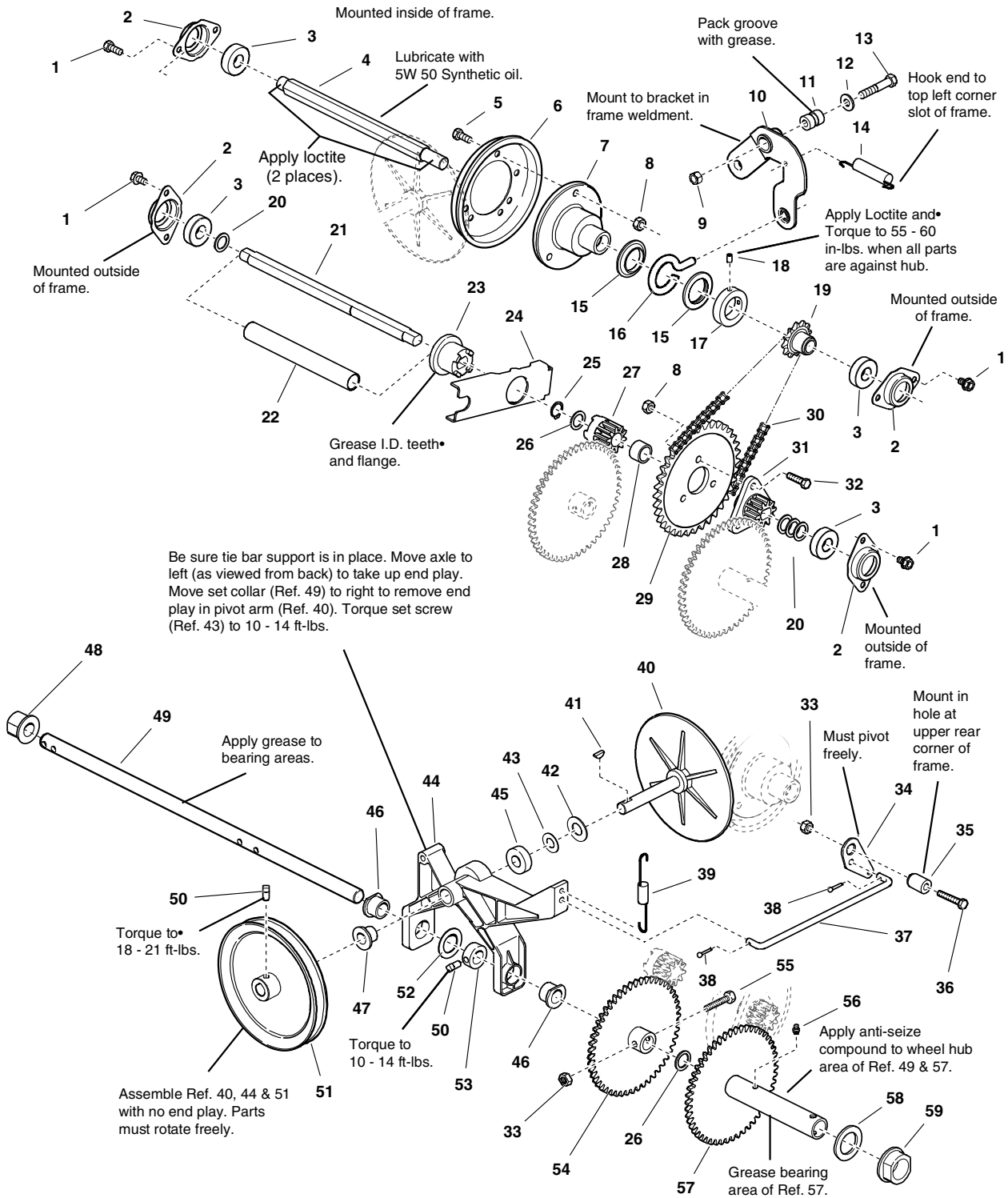
The above parts group applies to the following Mfg. Nos.:

| | |
|-----------------|-----------------|
| 1694589 - 9560E | 1694598 - 1060M |
| 1694590 - 1060E | 1694599 - 1170M |
| 1694591 - 1170E | 1694600 - 1280M |
| 1694592 - 1280E | 1694601 - 1390M |
| 1694593 - 1390E | |
| 1694597 - 9560M | |

Traction Drive Group

NOTE: Unless noted otherwise, use the standard hardware torque specification chart.

986712



The above parts group applies to the following Mfg. Nos.:

- | | |
|-----------------|-----------------|
| 1694589 - 9560E | 1694598 - 1060M |
| 1694590 - 1060E | 1694599 - 1170M |
| 1694591 - 1170E | 1694600 - 1280M |
| 1694592 - 1280E | 1694601 - 1390M |
| 1694593 - 1390E | |
| 1694597 - 9560M | |

Traction Drive Group

| REF NO | PART NO. | QTY. | DESCRIPTION |
|---------------|-----------------|-------------|--|
| 45 | 1665521 | 1 | BEARING, Ball |
| 46 | 1666425 | 2 | BUSHING, 3/4 ID x 1 OD x 3/4 LG, Powder Metal |
| 47 | 1666855 | 1 | BUSHING, 5/8 ID x 13/16 OD x 3/4 LG, Powder Metal |
| 48 | 1666001 | 1 | BUSHING, 377/100 ID x 1-13/100 OD x 1 LG, Powdered Metal |
| 49 | 1720299 | 1 | AXLE, Round |
| 50 | 1928721 | 2 | SCREW, Set Square Head Cup Point, 5/16-18 x 1/2 G8 |
| 51 | 1672595A | 1 | PULLEY AND HUB ASSEMBLY |
| 52 | 1919394 | 1 | WASHER, 1 |
| 53 | 1729254 | 1 | COLLAR, Set |
| 54 | 1720300 | 1 | GEAR AND HUB ASSEMBLY- RH |
| 55 | 1930570 | 1 | CAPSCREW, Hex Head, 5/16-18 x 1-1/2 G8 |
| 56 | 2821133 | 1 | FITTING, Lube 1/4 Drive, No Check Ball |
| 57 | 1720716 | 1 | GEAR AND HUB ASSEMBLY, with Bushings |
| 58 | 2860169 | 1 | WASHER, 1-47/250 |
| 59 | 1720305 | 1 | BUSHING, 1-27/200 ID x 1-157/250 OD x 3/4 LG |

Footnotes

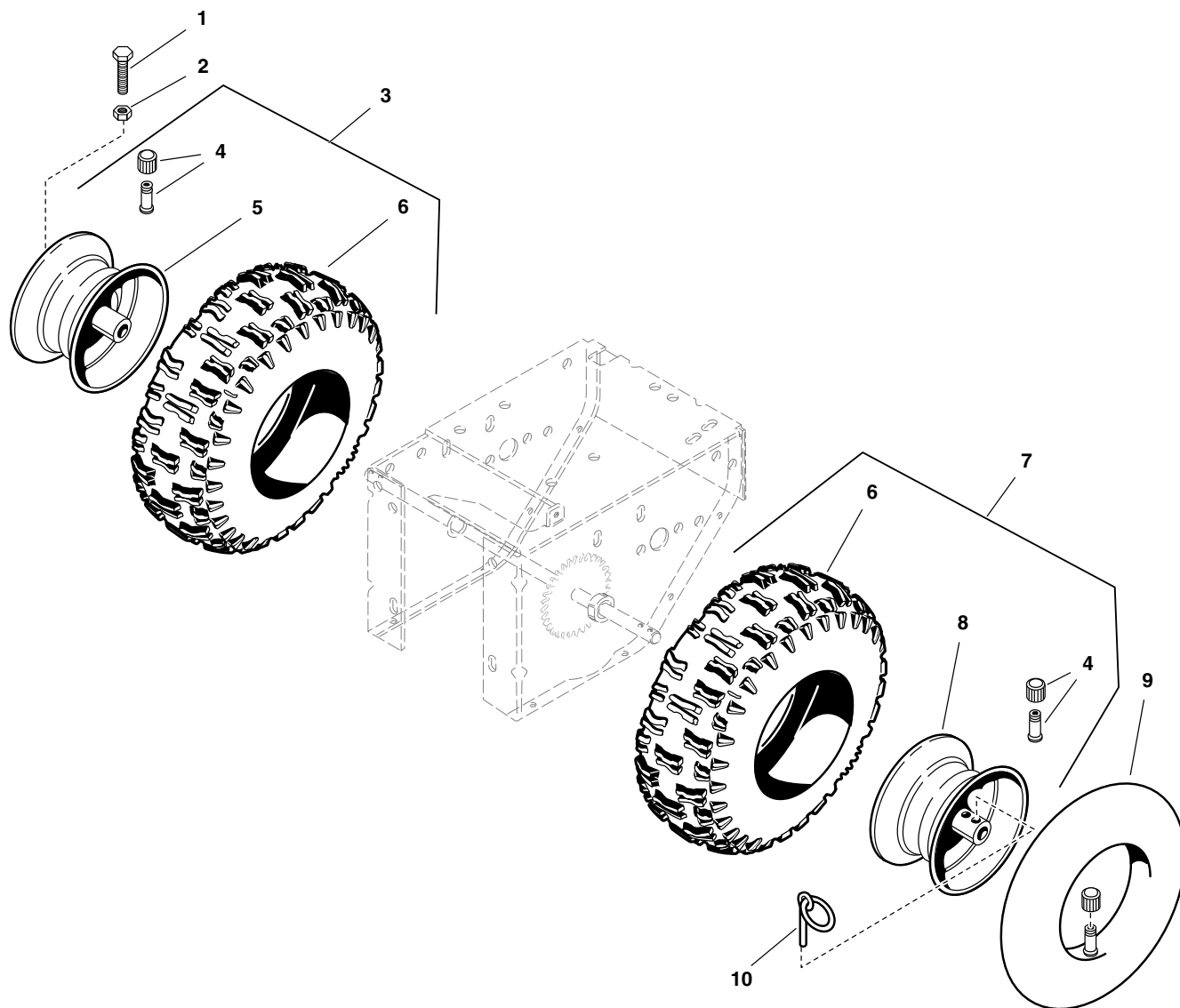
The above parts group applies to the following Mfg. Nos.:

| | |
|-----------------|-----------------|
| 1694589 - 9560E | 1694598 - 1060M |
| 1694590 - 1060E | 1694599 - 1170M |
| 1694591 - 1170E | 1694600 - 1280M |
| 1694592 - 1280E | 1694601 - 1390M |
| 1694593 - 1390E | |
| 1694597 - 9560M | |

Wheels & Tires Group

986549

NOTE: Unless noted otherwise,
use the standard hardware torque
specification chart.



The above parts group applies to the following Mfg. Nos.:

| | |
|-----------------|-----------------|
| 1694589 - 9560E | 1694598 - 1060M |
| 1694590 - 1060E | 1694599 - 1170M |
| 1694591 - 1170E | 1694600 - 1280M |
| 1694592 - 1280E | 1694601 - 1390M |
| 1694593 - 1390E | |
| 1694597 - 9560M | |

Wheels & Tires Group

| REF NO | PART NO. | QTY. | DESCRIPTION |
|---------------|-----------------|-------------|--|
| 1 | 1921978 | 1 | CAPSCREW, Hex Head 5/16-18 x 2 G5 |
| 2 | 1919438 | 1 | NUT, Hex Lock ESNA Light 5/16-18 NC-3B |
| 3 | 1726743 | 1 | WHEEL & TIRE ASSEMBLY, Snow R.H. (Used on 24 & 28 in. Models) |
| 3 | 1726745 | 1 | WHEEL & TIRE ASSEMBLY, Snow R.H. (Used on 32 & 38 in. Models) |
| 4 | 2172353 | 2 | VALVE STEM & CAP ASSEMBLY, Air |
| 5 | 1714242 | 1 | HUB, Wheel R.H., 3-3/4 Wide 8 Diameter 3/4 ID (Used on 24 & 28 in. Models) |
| 5 | 1722762 | 1 | HUB, Wheel, 5-3/8 Wide 8 Diameter 3/4 ID (Used on 32 & 38 in. Models) |
| 6 | 1727074 | 2 | TIRE, 4.80/4.00-8, X-TRAC TL (Used on 24 & 28 in. Models) |
| 6 | 1727075 | 2 | TIRE, 16 x 6.5-8 X-TRAC TL (Used on 32 & 38 in. Models) |
| 7 | 1726742 | 1 | WHEEL & TIRE ASSEMBLY, Snow L.H. (Used on 24 & 28 in. Models) |
| 7 | 1726744 | 1 | WHEEL & TIRE ASSEMBLY, Snow L.H. (Used on 32 & 38 in. Models) |
| 8 | 1720307 | 1 | HUB, Wheel L.H., 3-3/4 Wide 8 Diameter 1-1/8 ID (Used on 24 & 28 in. Models) |
| 8 | 1722761 | 1 | HUB, Wheel 5-3/8 Wide 8 Diameter 1-1/8 ID (Used on 32 & 38 in. Models) |
| 9 | 2153038 | 2 | TUBE, Tire |
| 10 | 1666969 | 1 | PIN, KLIK, Ring |

Footnotes

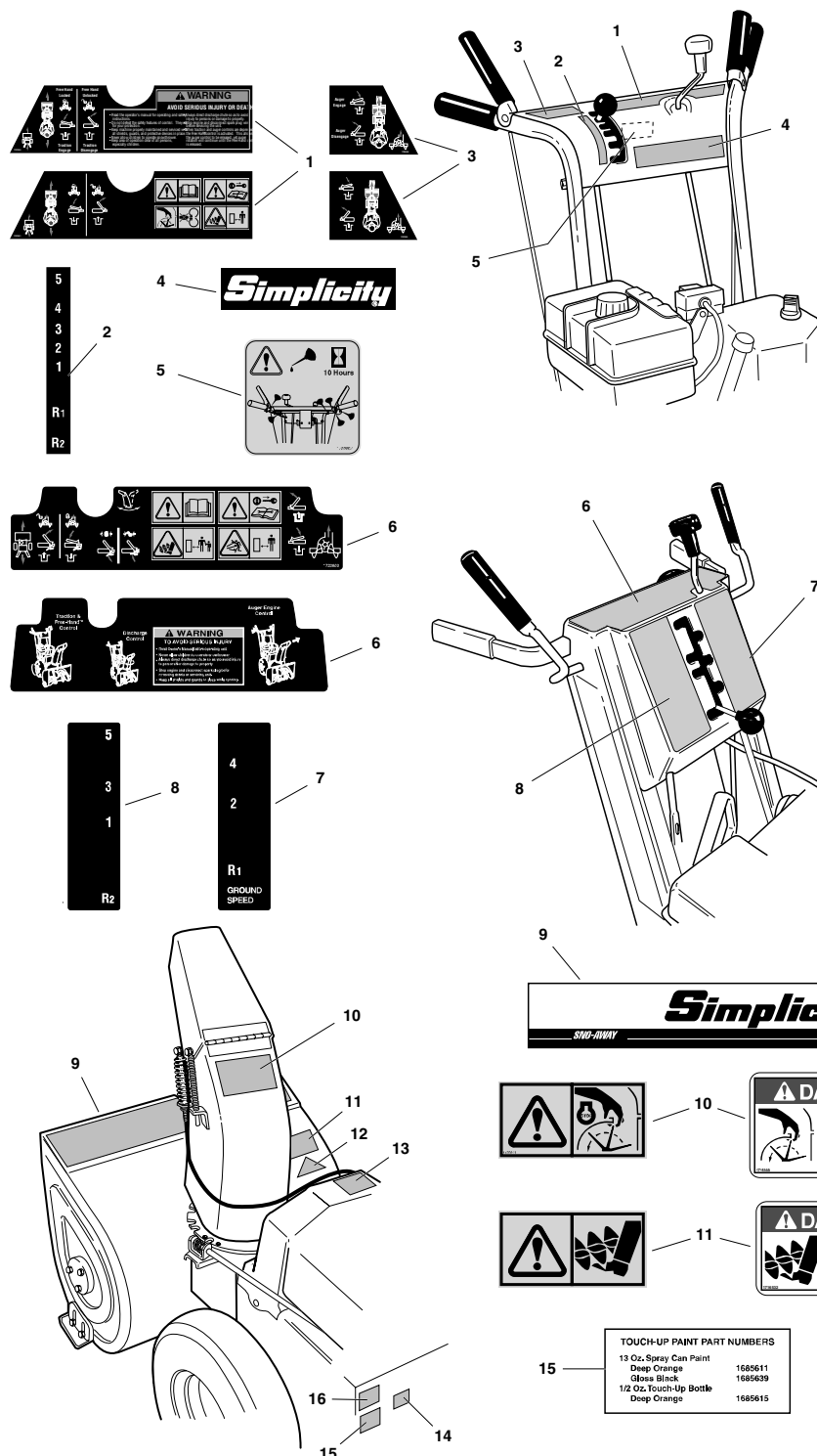
The above parts group applies to the following Mfg. Nos.:

| | |
|-----------------|-----------------|
| 1694589 - 9560E | 1694598 - 1060M |
| 1694590 - 1060E | 1694599 - 1170M |
| 1694591 - 1170E | 1694600 - 1280M |
| 1694592 - 1280E | 1694601 - 1390M |
| 1694593 - 1390E | |
| 1694597 - 9560M | |

Decal Group

986738

NOTE: Unless noted otherwise, use the standard hardware torque specification chart.



The above parts group applies to the following Mfg. Nos.:

- | | |
|-----------------|-----------------|
| 1694589 - 9560E | 1694598 - 1060M |
| 1694590 - 1060E | 1694599 - 1170M |
| 1694591 - 1170E | 1694600 - 1280M |
| 1694592 - 1280E | 1694601 - 1390M |
| 1694593 - 1390E | |
| 1694597 - 9560M | |

| TOUCH-UP PAINT PART NUMBERS | |
|-----------------------------|---------|
| 13 Oz. Spray Can Paint | 1685611 |
| Deep Orange | 1685639 |
| Gloss Black | 1685615 |
| 1/2 Oz. Touch-Up Bottle | |
| Deep Orange | 1685615 |

Decal Group

| REF NO | PART NO. | QTY. | DESCRIPTION |
|--------|----------|------|---|
| 1 | 1726945 | 1 | DECAL, Dashboard EZ Turn L.H. (Tube Handle Models Only) |
| 1 | 1727022 | 1 | DECAL, Dashboard EZ Turn L.H. (CE) |
| 2 | 1715557 | 1 | DECAL, 5 4 3 2 1 R1 R2, Shift Pattern (Tube Handle Models Only) |
| 3 | 1726946 | 1 | DECAL, Auger Control R.H. (Tube Handle Models Only) |
| 3 | 1727023 | 1 | DECAL, Auger Control R.H. (CE) |
| 4 | 1715558 | 1 | DECAL, Simplicity (Tube Handle Models Only) |
| 5 | 1722867 | 1 | DECAL, Handle Lubrication (Tube Handle Models Only) |
| 6 | 1726947 | 1 | DECAL, Dashboard EZ Turn (Channel Handles) |
| 6 | 1727024 | 1 | DECAL, Dashboard EZ Turn (Channel Handles) (CE) |
| 7 | 1714245 | 1 | DECAL, 4 2 R1 Ground Speed, R.H. (Channel Handle Models Only) |
| 8 | 1714246 | 1 | DECAL, 5 3 1 R2, Shift Pattern, L.H. (Channel Handle Models Only) |
| 9 | 1727019 | 1 | DECAL, Stripe, 9560 |
| 9 | 1725376 | 1 | DECAL, Stripe, 1060 |
| 9 | 1725377 | 1 | DECAL, Stripe, 1170 |
| 9 | 1725378 | 1 | DECAL, Stripe, 1280 |
| 9 | 1724075 | 1 | DECAL, Stripe, 1390 |
| 10 | 7071880 | 1 | DECAL, DANGER Chute Cleaning |
| 10 | 1727207 | 1 | DECAL, WARNING Chute Cleaning (CE) |
| 11 | 1716532 | 1 | DECAL, DANGER Avoid Injury from Auger |
| 11 | 1727208 | 1 | DECAL, WARNING Impeller (CE) |
| 12 | * | 1 | DECAL, OPEI Certified |
| 13 | 1725507 | 1 | DECAL, Power Boost (1060, 1170, 1280 & 1390 Models Only) |
| 14 | * | 1 | DECAL, Patent |
| 14 | * | 2 | LABEL, Decibel, Power MASS (CE) |
| 15 | 1720454 | 1 | DECAL, Touch Up Paint, Orange |
| 16 | * | 1 | DECAL, Serial I.D. Tag |

Footnotes

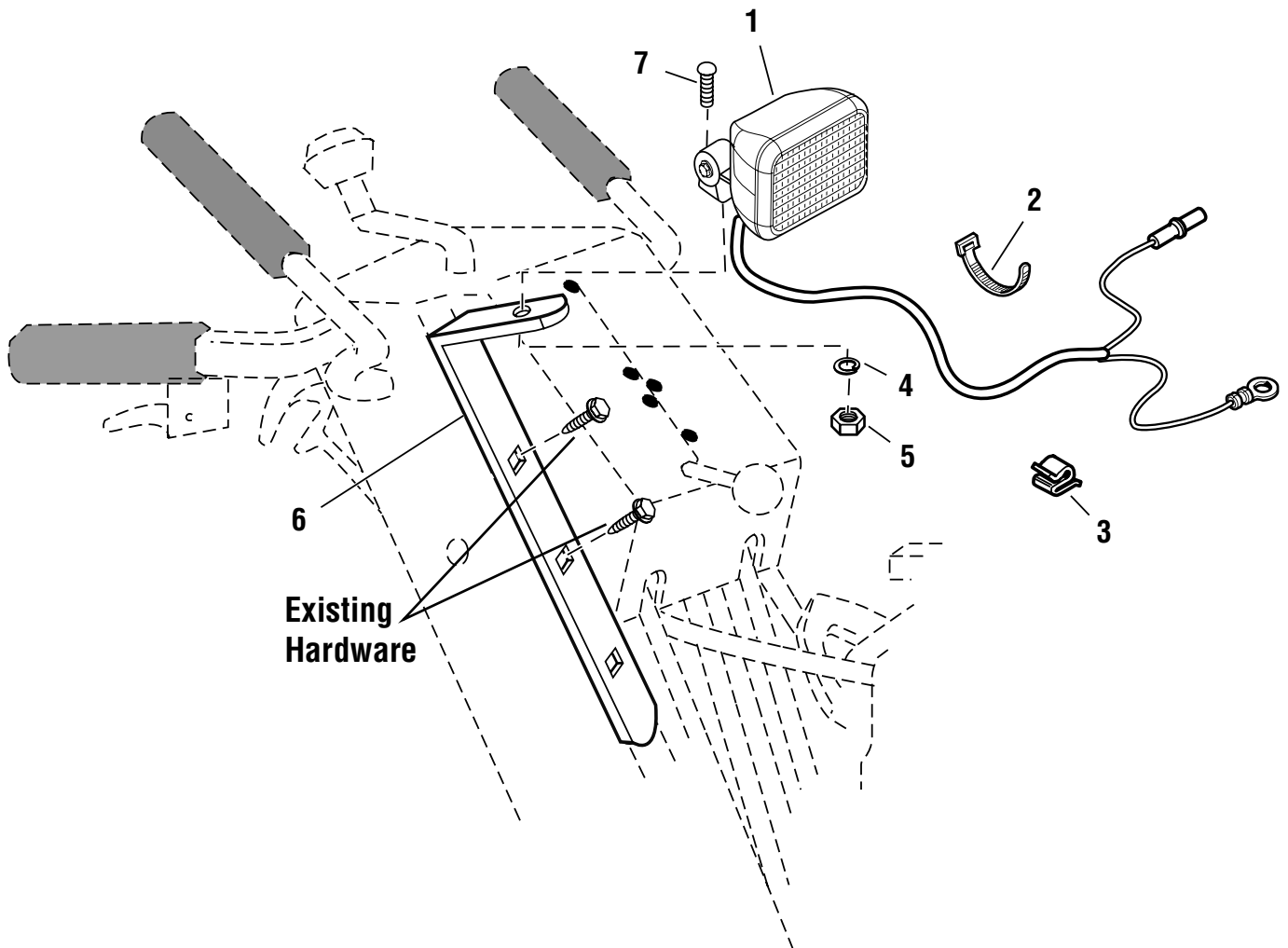
The above parts group applies to the following Mfg. Nos.:

| | |
|-----------------|-----------------|
| 1694589 - 9560E | 1694598 - 1060M |
| 1694590 - 1060E | 1694599 - 1170M |
| 1694591 - 1170E | 1694600 - 1280M |
| 1694592 - 1280E | 1694601 - 1390M |
| 1694593 - 1390E | |
| 1694597 - 9560M | |

Headlight Group

986371

NOTE: Unless noted otherwise,
use the standard hardware torque
specification chart.



The above parts group applies to the following Mfg. Nos.:

| | |
|-----------------|-----------------|
| 1694589 - 9560E | 1694598 - 1060M |
| 1694590 - 1060E | 1694599 - 1170M |
| 1694591 - 1170E | 1694600 - 1280M |
| 1694592 - 1280E | 1694601 - 1390M |
| 1694593 - 1390E | |
| 1694597 - 9560M | |

Headlight Group

| REF NO | PART NO. | QTY. | DESCRIPTION |
|--------|----------|------|------------------------------|
| 1 | 1725291 | 1 | HEADLIGHT ASEMBLY |
| 2 | 1701011 | 2 | TIE, Self Locking |
| 3 | 2834683 | 1 | CLIP, Wire |
| 4 | 1709256A | 1 | LOCKWSHER, 5/16 |
| 5 | 1917372 | 1 | NUT, Hex, 5/16-18 |
| 6 | 1725292C | 1 | BRACKET |
| 7 | 1931333 | 1 | CARRIAGE BOLT, 5/16-18 x 3/4 |

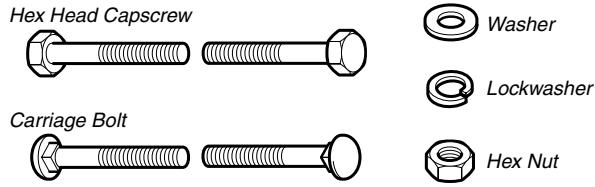
Footnotes

The above parts group applies to the following Mfg. Nos.:

| | |
|-----------------|-----------------|
| 1694589 - 9560E | 1694598 - 1060M |
| 1694590 - 1060E | 1694599 - 1170M |
| 1694591 - 1170E | 1694600 - 1280M |
| 1694592 - 1280E | 1694601 - 1390M |
| 1694593 - 1390E | |
| 1694597 - 9560M | |

Hardware Identification & Torque Specifications

Common Hardware Types

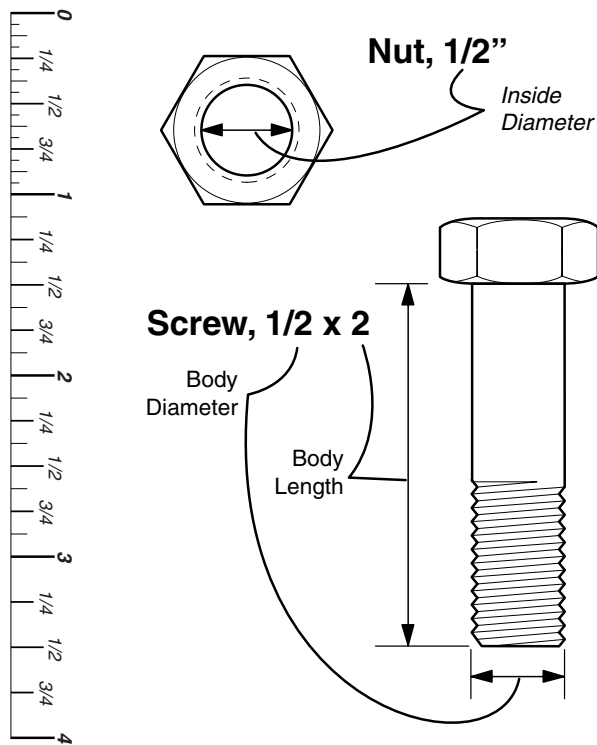


Standard Hardware Sizing

When a washer or nut is identified as 1/2", this is the *Nominal size*, meaning the *inside diameter* is 1/2 inch; if a second number is present it represents the *threads per inch*

When bolt or capscrew is identified as 1/2 - 16 x 2", this means the *Nominal size*, or *body diameter* is 1/2 inch; the second number represents the *threads per inch* (16 in this example, and the final number is the *body length* of the bolt or screw (in this example 2 inches long).

The guides and ruler furnished below are designed to help you select the appropriate hardware and tools.



| Torque Specification Chart | | | | | | |
|---|-------------------------|-------|------------------|-------|------------------|---------|
| FOR STANDARD MACHINE HARDWARE (Tolerance ± 20%) | | | | | | |
| Hardware Grade | No Marks SAE Grade 2 | | SAE Grade 5 | | SAE Grade 8 | |
| | in/lbs ft/lbs | Nm. | in/lbs ft/lbs | Nm. | in/lbs ft/lbs | Nm. |
| 8-32 | 19 | 2.1 | 30 | 3.4 | 41 | 4.6 |
| 8-36 | 20 | 2.3 | 31 | 3.5 | 43 | 4.9 |
| 10-24 | 27 | 3.1 | 43 | 4.9 | 60 | 6.8 |
| 10-32 | 31 | 3.5 | 49 | 5.5 | 68 | 7.7 |
| 1/4-20 | 66 | 7.6 | 8 | 10.9 | 12 | 16.3 |
| 1/4-28 | 76 | 8.6 | 10 | 13.6 | 14 | 19.0 |
| 5/16-18 | 11 | 15.0 | 17 | 23.1 | 25 | 34.0 |
| 5/16-24 | 12 | 16.3 | 19 | 25.8 | 27 | 34.0 |
| 3/8-16 | 20 | 27.2 | 30 | 40.8 | 45 | 61.2 |
| 3/8-24 | 23 | 31.3 | 35 | 47.6 | 50 | 68.0 |
| 7/16-14 | 30 | 40.8 | 50 | 68.0 | 70 | 95.2 |
| 7/16-20 | 35 | 47.6 | 55 | 74.8 | 80 | 108.8 |
| 1/2-13 | 50 | 68.0 | 75 | 102.0 | 110 | 149.6 |
| 1/2-20 | 55 | 74.8 | 90 | 122.4 | 120 | 163.2 |
| 9/16-12 | 65 | 88.4 | 110 | 149.6 | 150 | 204.0 |
| 9/16-18 | 75 | 102.0 | 120 | 163.2 | 170 | 231.2 |
| 5/8-11 | 90 | 122.4 | 150 | 204.0 | 220 | 299.2 |
| 5/8-18 | 100 | 136 | 180 | 244.8 | 240 | 326.4 |
| 3/4-10 | 160 | 217.6 | 260 | 353.6 | 386 | 525.0 |
| 3/4-16 | 180 | 244.8 | 300 | 408.0 | 420 | 571.2 |
| 7/8-9 | 140 | 190.4 | 400 | 544.0 | 600 | 816.0 |
| 7/8-14 | 155 | 210.8 | 440 | 598.4 | 660 | 897.6 |
| 1-8 | 220 | 299.2 | 580 | 788.8 | 900 | 1,244.0 |
| 1-12 | 240 | 326.4 | 640 | 870.4 | 1,000 | 1,360.0 |

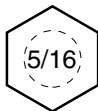
NOTES

- These torque values are to be used for all hardware excluding: locknuts, self-tapping screws, thread forming screws, sheet metal screws and socket head setscrews.
- Recommended seating torque values for locknuts:
 - for prevailing torque locknuts - use 65% of grade 5 torques.
 - for flange whizlock nuts and screws - use 135% of grade 5 torques.
- Unless otherwise noted on assembly drawings, all torque values must meet this specification.

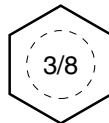
Wrench & Fastener Size Guide



1/4" Bolt or Nut
Wrench—7/16"



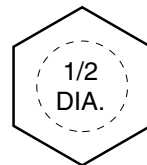
5/16" Bolt or Nut
Wrench—1/2"



3/8" Bolt or Nut
Wrench—9/16"



7/16" Bolt or Nut
Wrench (Bolt)—5/8"
Wrench (Nut)—11/16"



1/2" Bolt or Nut
Wrench—3/4"

Simplicity

MANUFACTURING, INC.
500 N. Spring Street / PO Box 997
Port Washington, WI 53074-0997 USA

www.simplicitymfg.com

© Copyright 2005 Simplicity Manufacturing, Inc.
All Rights Reserved. Printed In USA.

