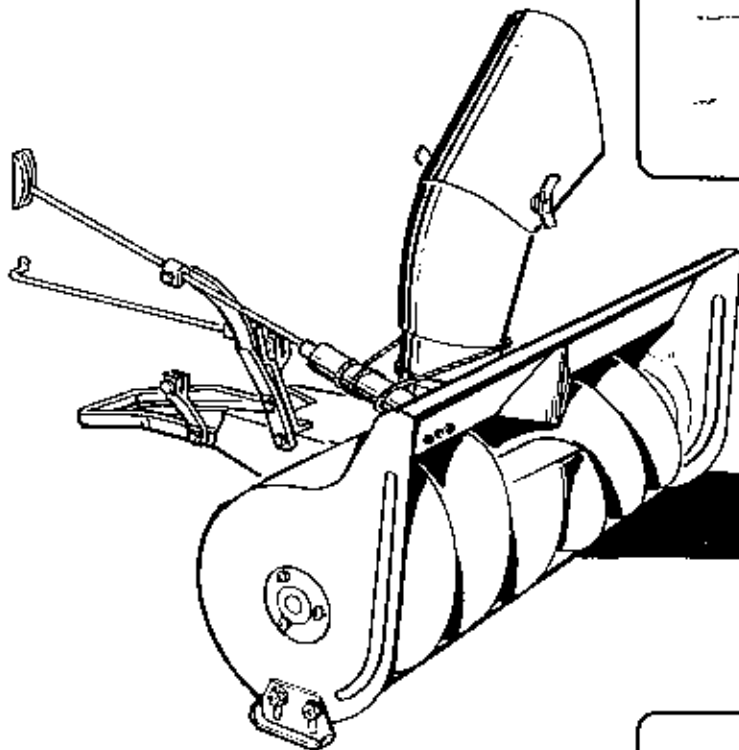
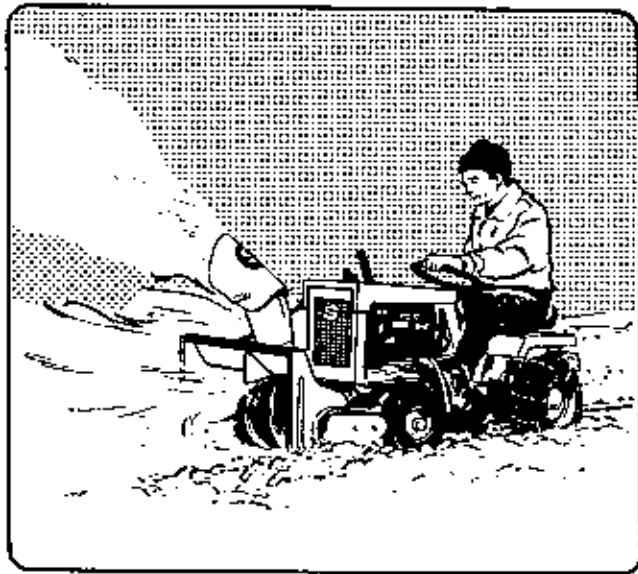


# *Simplicity*



**MFRS. NO. 561**

**27" ROTARY  
SNOW THROWER**



SER. FORM-P50

**SIMPLICITY MANUFACTURING COMPANY**

**1315**

MADE IN U.S.A.

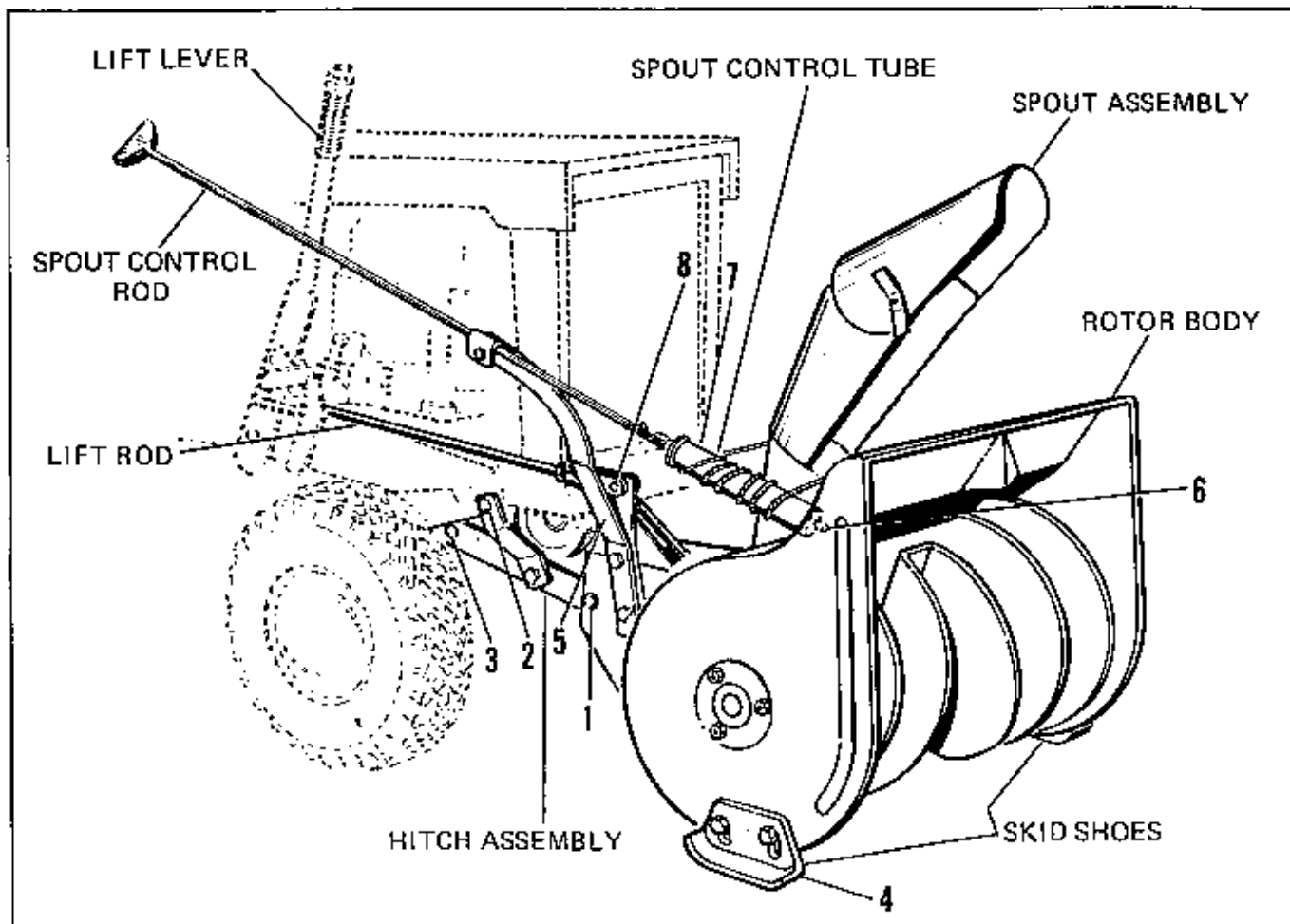


Figure 1.

## PACKING

The 27" Rotary Snow Thrower is delivered complete in one carton. The carton contains:

- 1 - Hitch Assembly
- 1 - Lift Rod Assembly
- 1 - Spout Control Rod
- 1 - Spout Tube and Cable Assembly
- 1 - Spout Control Rod Support Assembly
- 2 - Skid Shoes
- 1 - Spout Assembly
- 1 - Body and Rotor Assembly
- 1 - Bag of Hardware
- 1 - Drive Belt

Should any shortages of the above items occur, advise by stating packers number listed on green packing slip, part number and description of items missing.

## ASSEMBLY

1. Attach the hitch assembly to rotor body assembly with the (2) pins and spring clips provided. See (1), Figure 1.

2. Place the rotor drive belt (1), Figure 2, in position on the lower groove of the engine pulley (2), Figure 2, as shown. (Figure 2 is an illustration of the tractor underside). Note the position of the belt in relation to the belt-guide fingers (3), Figure 2. After passing around the engine pulley and between the belt-guide fingers, give the belt a suitable "twist" that it may fit properly to the groove of the power take-off pulleys (4), Figure 2.

3. Place the hitch assembly under the front end of the tractor. The hitch is suspended beneath the tractor at points 2 and 3 as shown in Figure 1.

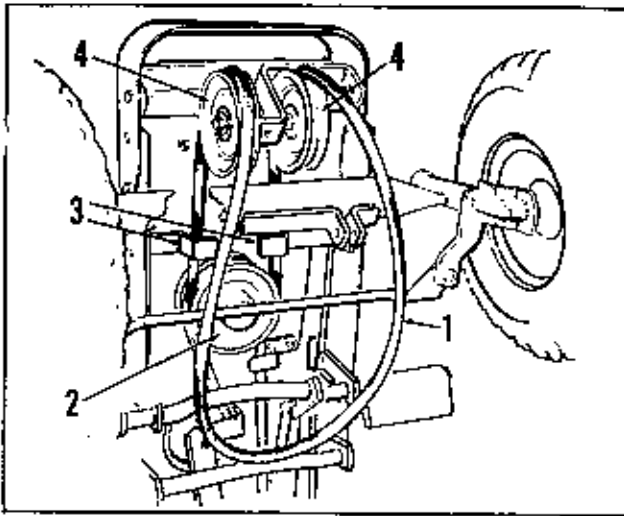


Figure 2.

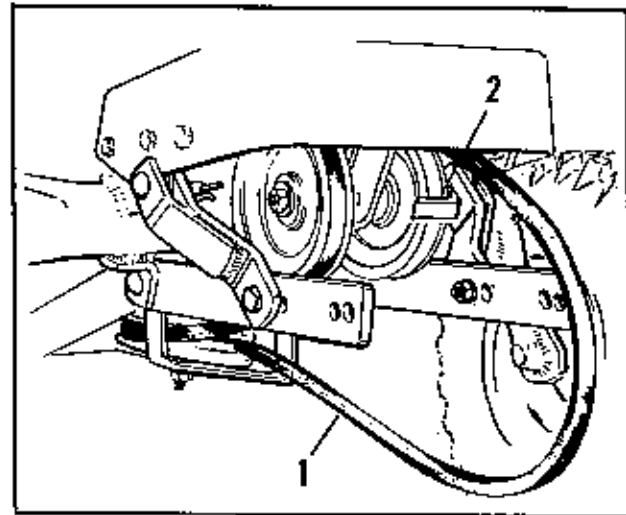


Figure 3.

4. Pull the rotor drive belt to bring all slack forward on the left side of the tractor as shown at 1, Figure 3. Install the slack end of the belt in place around the rotor drive pulley.

5. Attach the skid shoes to the body assembly using the  $3/8''-16 \times 3/4''$  carriage bolts,  $3/8''$  plain washer,  $3/8''$  lockwasher and  $3/8''-16$  full hex nuts as shown at (4), Figure 1.

6. Apply a light coating of oil to the neck of the discharge spout. Install spout and extension as shown.

7. Attach the spout control rod support bracket (5), Figure 1, with two  $3/8''-16 \times 1''$  long hex capscrews and  $3/8''$  lockwashers and  $3/8''-16$  hex nuts.

8. Insert spout control tube into nylon bearing on body assembly (See (3), Figure 1) and secure in place with two  $1/8'' \times 3/4''$  cotter pins. Insert the spout control rod in the spout control tube and secure with the  $5/32'' \times 1''$  cotter pin.

9. Position discharge spout directly forward. Position control tube so the cable clamp faces the side of the spout. Provide 2-1/2 coils on top and 2-1/2 coils on the bottom. The end of the cable closest to operator passes under the tube. The end away from operator passes over the top of tube. See (7), Figure 1. In order to insure tightness of the spout cable, it is helpful to slant the control tube slightly inboard in relation to the rod guide support as shown in Figure 4. Position the free ends of the cable around the spout and clamp securely with the cup washer,  $5/16''$  lockwasher and  $5/16''-18$  full hex nut. Move the spout control rod back to the

rod guide support and secure with the clamp, liner and  $5/16''-18 \times 1-1/4''$  capscrew and  $5/16''-18$  lock nut. Tighten securely to permit spout control rod to be turned with slight pressure applied.

10. Connect one end of the lift rod (8), Figure 1, to the lift bracket on the rotor housing, using a spring clip. The other end of the lift rod is connected to the lift lever on the tractor and is secured with a spring clip.

11. A winter gas cap is provided for use when throwing snow. The winter gas cap is designed to prevent a vapor lock in the gas tank.

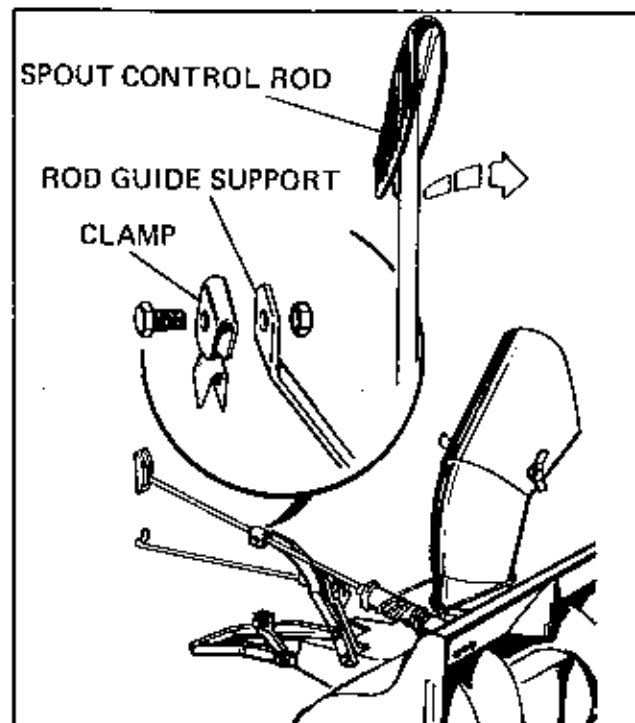


Figure 4.

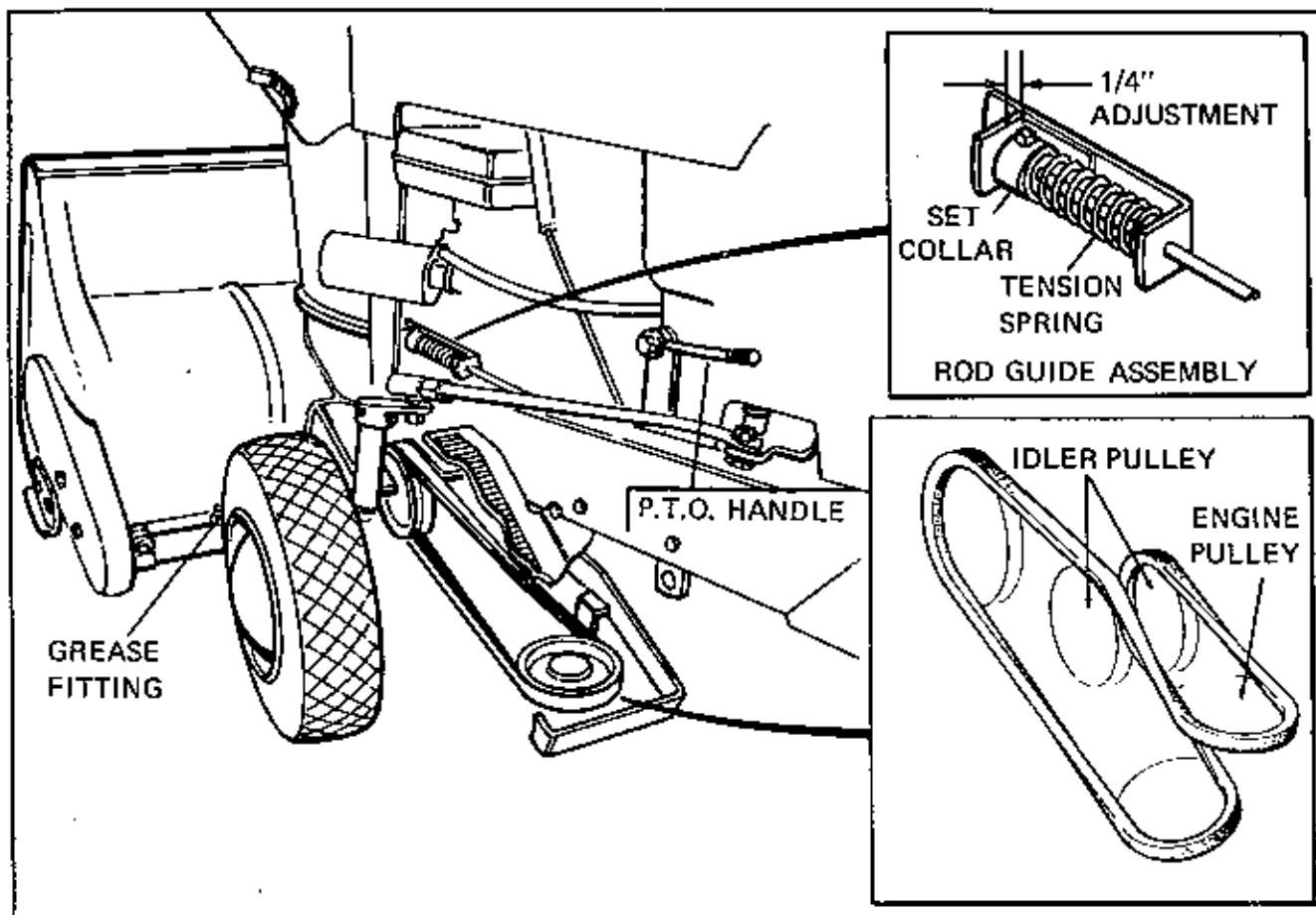


Figure 5.

## LUBRICATION

There is one grease fitting on the Snow Thrower. See Figure 5. Lubricate with a general purpose automotive type grease every 15 hours of operation. Remove the chain guard and apply a coating of grease on chain every 15 hours of operation. Occasional application of light motor oil as indicated on Page 3 will also assist in the operation of the snow thrower.

## BELT ADJUSTMENT

1. Rotate the belt stop No. 162115 as shown at (2), Figure 3, to prevent the stop from interfering with the drive belt when using the 27" snow thrower.

2. The lower pulley (1), Figure 5, on the hitch assembly may be moved forward or backward in the slotted hole for belt adjustment purposes. Adjust this pulley so there is sufficient belt slack for proper idling of the snow thrower.

3. After the proper slack for idling has been obtained, the P.T.O. spring must be checked and adjusted to give the proper belt tension during operation. Engage the P.T.O. handle on the left side of the tractor, and check the spacing between the set collar and the rod guide assembly. Adjust the collar as necessary to give approximately 1/4" spacing at this point.

## NOTE

The No. 103095 - "515" P.T.O. Conversion Kit must be ordered when using this snow thrower on the Mfg. No. 418 - "515" Serf Tractor.

## PERATION

1. Engagement of Snow Thrower is accomplished by pushing the P.T.O. handle forward. Pull handle to operator for disengagement.

2. The skid shoes on each side of the rotor housing are adjustable either up or down, to suit the surface over which the snow thrower is to be operated. For a smooth surface, loosen the nuts and set the shoes so that the lower edge of the rotor housing rides on the surface. For use over an uneven or rough surface, adjust the shoes for maximum lift.

When using the snow thrower, set the discharge spout so that the snow will be thrown with the wind and never into the wind. Throwing snow into the wind will be a source of discomfort to the operator. To alter the direction of discharge, rotate the spout by means of the spout adjusting handle. The distance that the snow may be thrown may be adjusted by loosening the two wing nuts on the discharge spout extension and raising or lowering the extension to give the desired angle. After adjusting, push the extension snugly against the spout assembly to prevent snow from being blown backwards against the tractor and operator. Slotted holes beneath the wing nuts will allow this to be done before tightening the wing nuts to hold the hold the extension in the desired position.

3. When operating through excessively heavy drifts of snow, pull back on the lift lever and raise

the snow thrower while taking the first pass through the drift. Then back off and lower the snow thrower and go through again. After the first path through the drift has been opened, it may be convenient to use only a portion of the width of the snow thrower on succeeding passes. Naturally, efficient plowing methods will vary from one snowfall to another and from location to location. The operator must judge for himself which methods produce the best results.

## NOTE

When operating in extremely heavy and/or wet snow, a path less than a full width should be taken. In this type of situation the operator should ease the blower into the snow by using the clutch and brake pedal and keeping the engine at top speed. This will alleviate the problem of the auger becoming plugged up and burning the belt.

4. When transporting the snow thrower from one location to another, disengage the power take-off and pull the lift lever back to the latched position and carry snow thrower in raised position.

5. When throwing snow it is recommended the tractor be operated in first or second gear and the throttle be at 3/4 to full depending on the conditions.

## STORAGE

After completion of plowing operation, allow the tractor engine to operate in a sheltered area for about 5 minutes to dry itself and prevent the formation of ice. When possible, store the snow thrower in a cold area so that clinging snow will not melt and re-freeze into ice.

## SAFE SNOW REMOVAL IS NO ACCIDENT

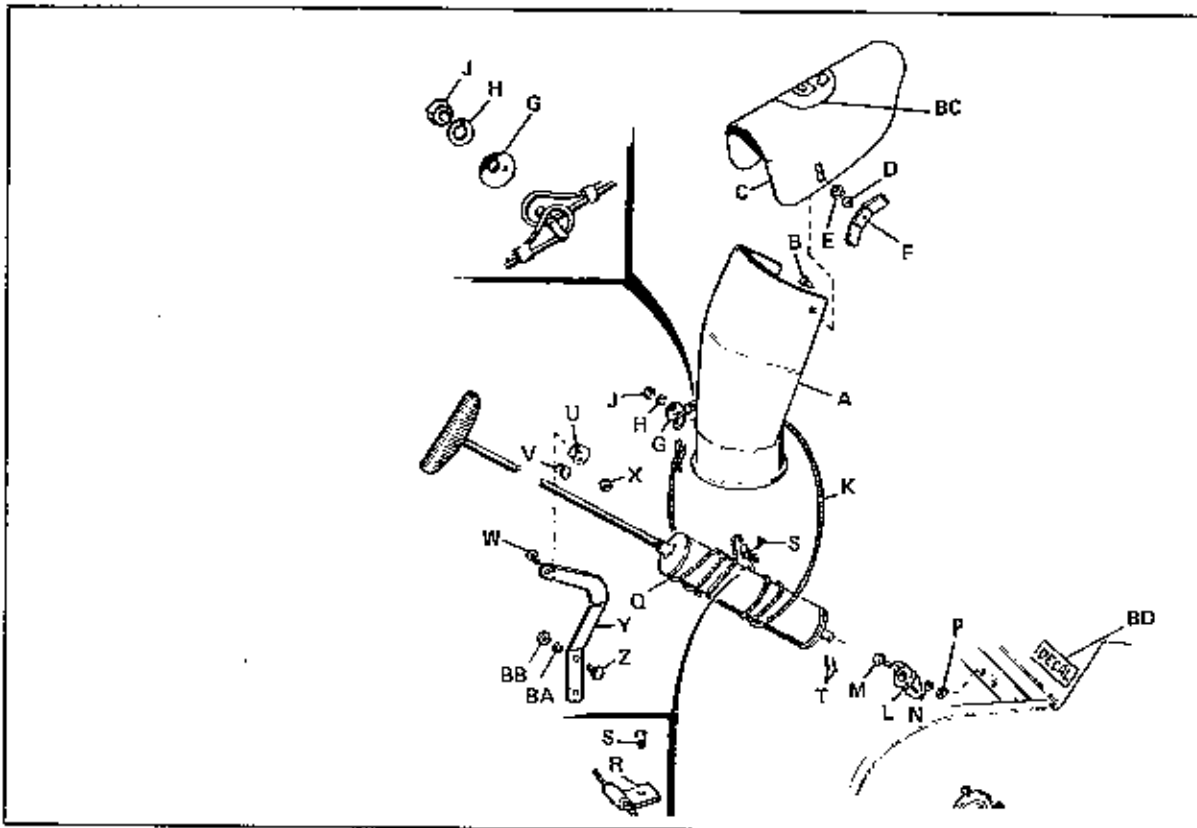
---

Improper use of snow removal equipment on the part of the operator can result in injury. To reduce this possibility, give complete and undivided attention to the job at hand.

Protect Yourself and Others By Following These Safety Tips.

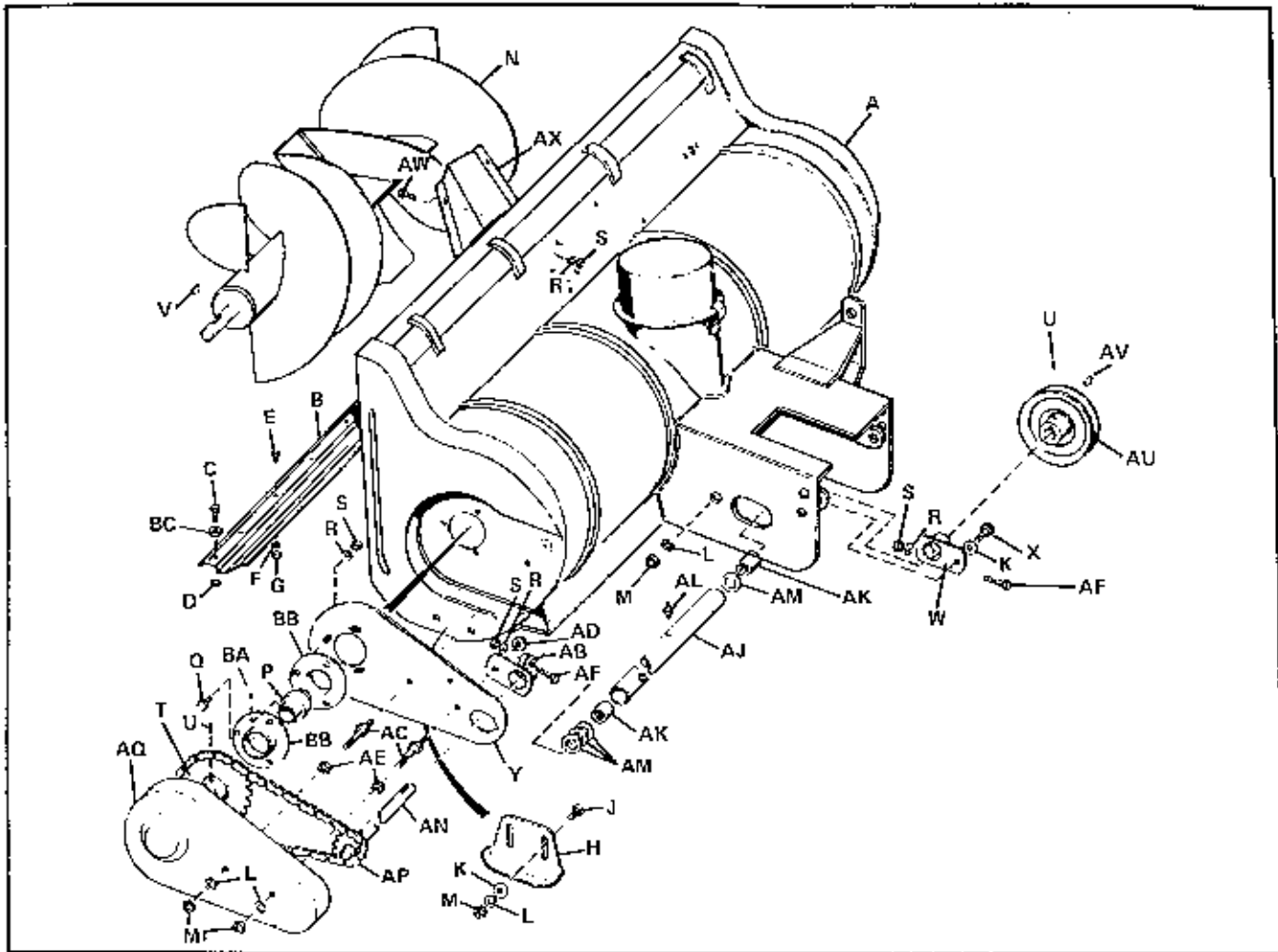
1. Disengage power and stop motor before cleaning discharge, removing obstacles, making adjustment, or when leaving operating position.
  2. Never direct discharge at bystanders nor allow anyone in front of machine -- debris may be hidden in the snow.
  3. Keep children and pets a safe distance away.
  4. Do not allow children to operate machine nor allow adults to operate it without proper instructions.
  5. Adjust height to clear gravel or crushed rock surface.
  6. Exercise caution to avoid slipping or falling, especially when operating in reverse.
  7. Know the controls and how to stop quickly -- read the owner's manual.
  8. Handle gasoline with care -- it is highly flammable.
    - a. Use approved gasoline container.
    - b. Never add gasoline to a running motor -- fill tank out of doors and wipe up spilled gasoline.
    - c. Replace gasoline cap securely.
    - d. Open doors if motor is run in garage -- exhaust gases are dangerous.
  9. Disengage all clutches and shift into neutral before starting motor. Keep hands, feet and clothing away from power driven parts.
  10. Use a grounded three wire extension cord for all plug-in electric units.
  11. Keep machine in good operating condition and keep safety devices in place.
-

# SPOUT GROUP



Ref. Let.	Part No.	Description
A	106762	Spout Assembly
B	703005	Carriage Bolt, 5/16"-18 x 3/4"
C	106760	Spout Extension
D	719001	Washer, Plain 3/8"
E	721601	Washer, Lock 3/8"
F	106229	Wing Nut
G	171379	Cup Washer
H	720001	Washer, Lock 5/16"
J	717001	Nut, Hex Full 5/16"-18
K	171362	Cable Assembly
L	106491	Bearing
M	705015	Capscrew, Hex, 1/4"-20 x 5/8"
N	720003	Washer, Lock 1/4"
P	717005	Nut, Hex, Full 1/4"-20
Q	170131	Tube Assembly, Spout Control
R	171382	Clamp (For service only)
S	715067	Self-Tapping Screw, 1/4"-20 x 3/8"
T	722016	Cotter Pin, 3/32" x 5/8"
U	152050	Guide, Rod
V	121175	Liner, Guide
W	705018	Capscrew, Hex, 5/16"-18 x 1-1/2" lg.
X	717511	Nut, Hex, Full, Lock, 5/16"-18
Y	106499	Rod Guide Support
Z	705005	Hex. Capscrew, 3/8"-16 x 1" lg.
BA	720002	Lock Washer, 3/8"
BB	717003	Hex. Nut, Full, 3/8"-16
BC	161252	Decal
BD	161247	Decal Safety

# ROTOR, BODY & DRIVE GROUP



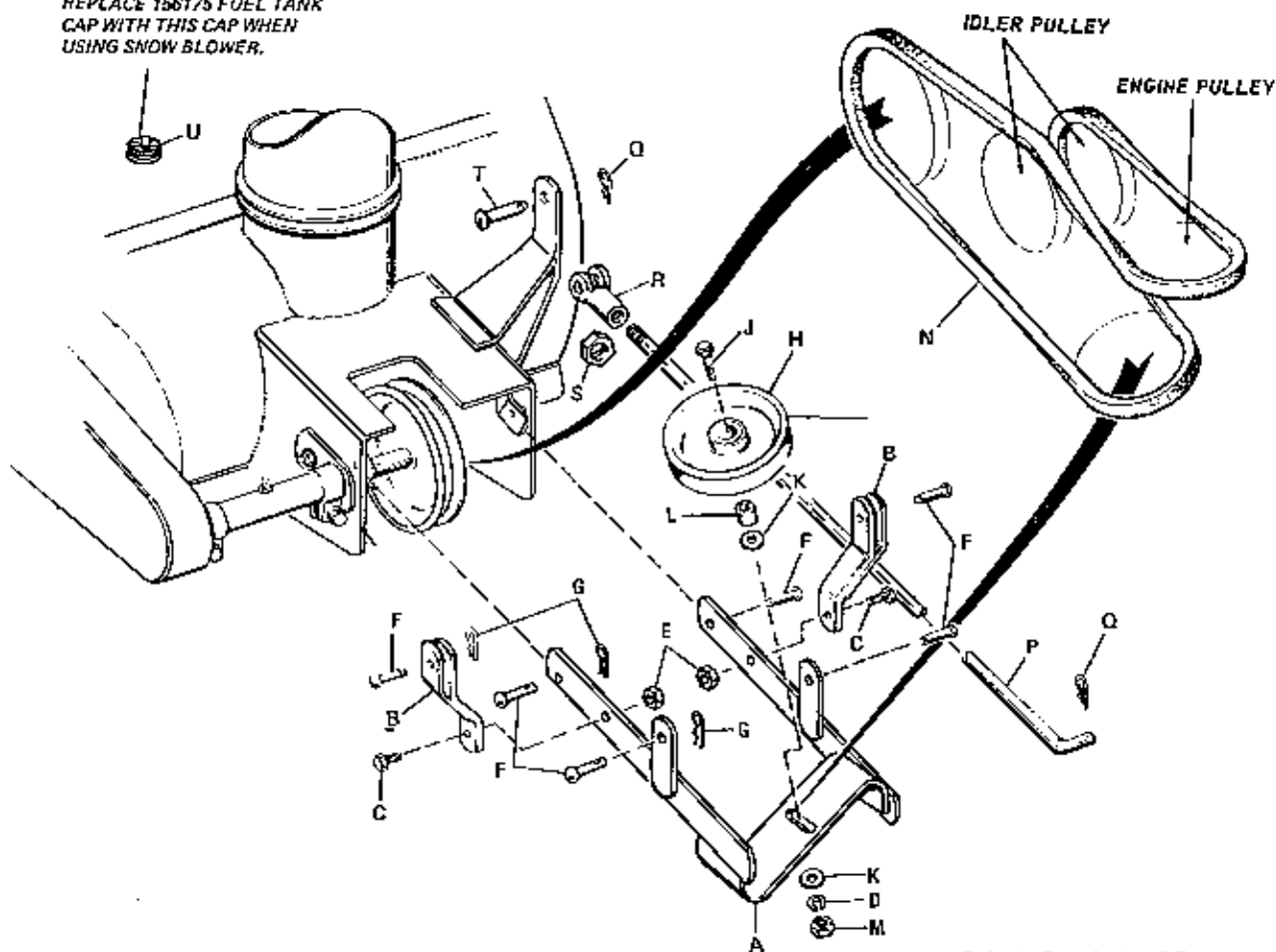
Ref. Let.	Part No.	Description
A	161193	Body Assembly
B	106811	Body Scraper
C	715071	Hex. Cap Screw, 5/16"-18 x 5/8"
D	717511	Full Lock Hex. Nut, 5/16"-18
E	715018	Hex. Cap Screw, 1/4"-20 x 5/8"
F	720003	Lock Washer, 1/4"
G	717005	Full Hex. Nut, 1/4"-20
H	106747	Skid
J	703004	Carriage Bolt, 3/8"-16 x 3/4"
K	719001	Plain Washer, 3/8"
L	720002	Lock Washer, 3/8"
M	717003	Full Hex. Nut, 3/8"-16
N	106799	Rotor Assembly
P	106732	Bearing Cartridge w/713509 Set Screw
Q	705017	Hex. Cap Screw, 5/16"-18 x 3/4"
R	720001	Lock Washer, 5/16"
S	717001	Full Hex. Nut, 5/16"-18
T	106653	Rotor Sprocket
U	713503	Set Screw, 5/16"-18 x 5/16"
V	151040	Hi-Pro Key
W	106476	Support Assembly Clamp

Ref. Let.	Part No.	Description
X	705005	Hex. Cap Screw, 3/8"-1 x 1"
Y	170754	Side Plate
AB	106476	Support Assembly Clamp
AC	106771	Stud
AD	718035	Nut, Flange, 3/8"-16
AE	717510	Full Lock Hex. Nut, 3/8"-16
AF	705018	Hex. Cap Screw, 5/16"-18 x 1-1/2"
AJ	106813	Bearing Housing
AK	154258	Needle Bearing
AL	727002	Grease Fitting
AM	8061012	Washer
AN	106807	Shaft Assembly
AP	106058	Chain
AQ	170865	Chain Guard
AU	106485	Pulley
AV	725003	Key, 3/16" Dia. x 3/4"
AW	705012	Hex. Cap Screw, 5/16"-18 x 5/8"
AX	106774	Deflector
BA	713509	Set Screw, 1/4"-28 x 1/4" lg.
BB	161069	Bearing Flange
BC	719006	Washer



# HITCH GROUP

REPLACE 156175 FUEL TANK  
CAP WITH THIS CAP WHEN  
USING SNOW BLOWER.



Order by Part Number & Description

Ref. Let.	Part No.	Description
A	106803	Hitch Assembly
B	161267	Support Arm Assembly
C	706005	Hex Capscrew, 3/8"-16 x 1" lg.
D	720002	Lock Washer, 3/8"
E	717510	Hex. Nut, Full Lock, 3/8"-16
F	156306	Pin
G	106788	Spring Clip
H	101096	Pulley
J	705010	Hex. Capscrew, 3/8"-16 x 1-3/4" lg.
K	719001	Plain Washer, 3/8"
L	154177	Spacer
M	717003	Hex. Nut, Full, 3/8"-16
N	108508	"V" Belt
P	106812	Front Lift Rod
Q	106788	Spring Clip
R	157631	Adj. Yoke
S	717008	Hex. Nut, Full, 1/2"-20
T	154305	Yoke Pin
U	106798	Cap (Winter) Fuel Tank

## WARRANTY

The company warrants Simplicity Products to be free from defects in material and workmanship except the company makes no warranty express or implied with respect to tires, engines and engine accessories which generally are warranted by their respective manufacturers. Any part covered by this warranty which is proven defective within one year, under normal use, from date of purchase, will be replaced free of charge, f.o.b. Port Washington, Wisconsin, provided such part is returned to factory transportation charges prepaid and is found to be defective upon examination at the factory. The company is not obligated under this warranty to bear cost of labor or delivery charges in replacement of defective parts. This warranty does not apply to any Simplicity Products altered outside of Simplicity's factory. Such replacement of defective parts shall be the exclusive remedy and in no event shall Simplicity be liable for consequential damages. EXCEPT AS SPECIFICALLY PROVIDED HEREIN, THERE ARE NO WARRANTIES WHICH EXTEND BEYOND THE DESCRIPTION ON ANY SIMPLICITY PRODUCT.

Should warranty service be necessary, the information below should be presented to the authorized SIMPLICITY Dealer.

Customer's Name \_\_\_\_\_

Address \_\_\_\_\_

Mfg. No. \_\_\_\_\_ Serial No. \_\_\_\_\_

Date Purchased \_\_\_\_\_

Purchased From \_\_\_\_\_

Address \_\_\_\_\_

Engine Model No. \_\_\_\_\_ Serial No. \_\_\_\_\_ Type No. \_\_\_\_\_

To obtain replacement parts from dealer, advise quantity, part number and description.



Remember...

### FOR YOUR SAFETY

1. ALWAYS STOP ENGINE BEFORE LEAVING MACHINE
2. ALWAYS STOP ENGINE BEFORE SERVICING OR ADJUSTING
3. ALWAYS KEEP HANDS, FEET AND CLOTHING AWAY FROM POWER-DRIVEN PARTS

