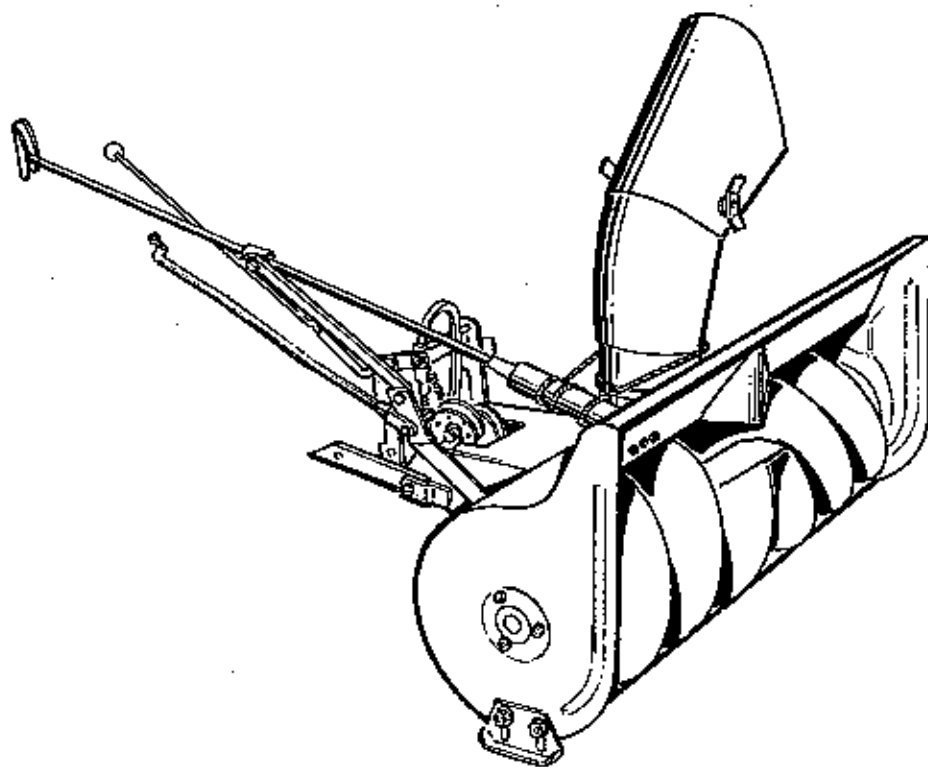


Simplicity

42" ROTARY SNOW BLOWER



Mfrs. No. 421

234567890

SIMPLICITY MANUFACTURING COMPANY, INC.

TP - 1287

WARRANTY

The company warrants Simplicity Products to be free from defects in material and workmanship except the company makes no warranty express or implied with respect to tires, engines and engine accessories which generally are warranted by their respective manufacturers. Any part covered by this warranty which is proven defective within one year, under normal use, from date of purchase, will be replaced free of charge, f.o.b. Port Washington, Wisconsin, provided such part is returned to factory transportation charges prepaid and is found to be defective upon examination at the factory. The company is not obligated under this warranty to bear cost of labor or delivery charges in replacement of defective parts. This warranty does not apply to any Simplicity Products altered outside of Simplicity's factory. Such replacement of defective parts shall be the exclusive remedy and in no event shall Simplicity be liable for consequential damages. EXCEPT AS SPECIFICALLY PROVIDED HEREIN, THERE ARE NO WARRANTIES WHICH EXTEND BEYOND THE DESCRIPTION ON ANY SIMPLICITY PRODUCT.

Should warranty service be necessary, the information below should be presented to the authorized SIMPLICITY Dealer.

Customer's Name _____

Address _____

Mfg. No. _____ Serial No. _____

Date Purchased _____

Purchased From _____

Address _____

Engine Model No. _____ Serial No. _____ Type No. _____

To obtain replacement parts from dealer, advise quantity, part number and description.

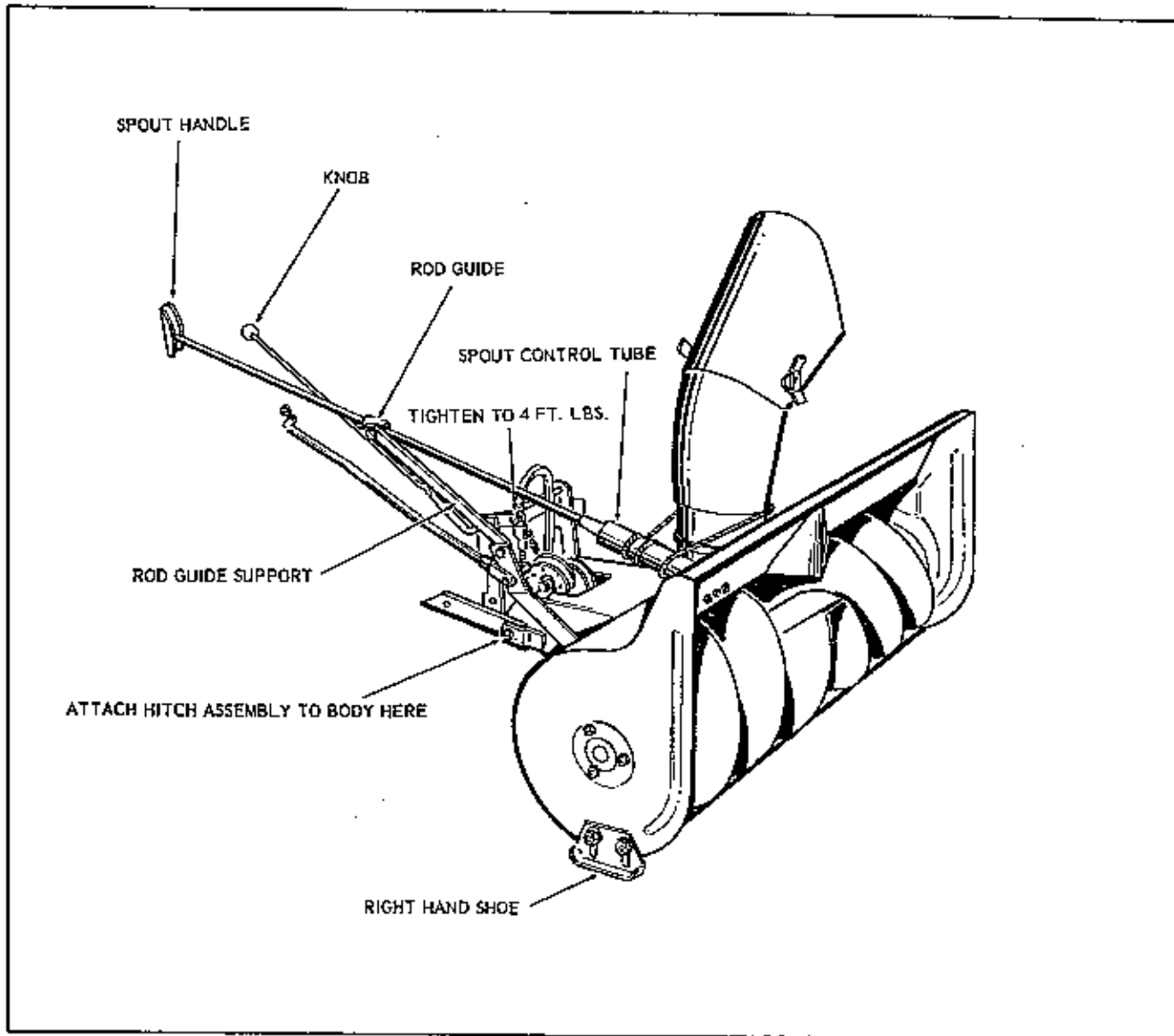


FIGURE 1

Assembly

1. Attach Hitch Assembly to Rotor Body Assembly with the 3/8"-24 x 1-1/2" long Hex. Head Bolt, 3/8" plain and 3/8" Spring Washer. Secure in place with the 3/8"-24 Hex. Full Lock Nut. See Figure 1. Tighten with sufficient pressure to keep Hitch from drooping when installing Blower to Tractor.

2. Place V-Belt around Pulley in Rotor Body Housing. Position Belt Guard around Pulley. Make sure Guard hits under side of Housing. (Ref. Let. AT Page 7)

3. Remove the 5/16"-18 x 1-1/4" long Hex. Capscrew, Lock and Plain Washer from tractor directly below the Front Mounted Power Take-Off Shaft. Insert through the two belt fingers and reassemble. DO NOT TIGHTEN. See Figure 2. Right hand belt finger next to bolt head. Left hand finger next to tractor.

4. Apply a light coat of grease to front PTO Shaft. Attach Front Mounted Power Take-Off Pulley #106761

to shaft. Secure the 3/8"-24 Set Screw down on the #169129 Key. Position hub so 1/4" of Engine Shaft is exposed in front. See Figure 2.

5. Attach Hitch Assembly to tractor with the two pins and two spring clips. See Figure 2.

6. Place belt around Front Mounted Power Take-Off Pulley. See Figure 2.

7. Adjust belt fingers approximately 1/16" from belt when engaged. Secure the 3/16"-18 x 1-1/4" Capscrew.

8. Apply a light coating of oil to the neck of the discharge spout. Install spout and extension as shown. See Page 8.

9. Attach Rod Guide Support to top hole of Lift Rod Bracket with 3/8"-16 x 1-1/4" Capscrew, 3/8" Lock-washer, and 3/8"-16 Full Hex. Nut. DO NOT TIGHTEN. See Figure 1. Insert Spout Control Tube Assembly into bearing and secure in place with 2-1/8" x 3/4" Cotter Pins. Tighten the 3/8"-16 Full Hex. Nut on Rod Guide Support which is in top hole of Lift Rod Bracket, at desired angle of the operator while on seat. See Figure 1.

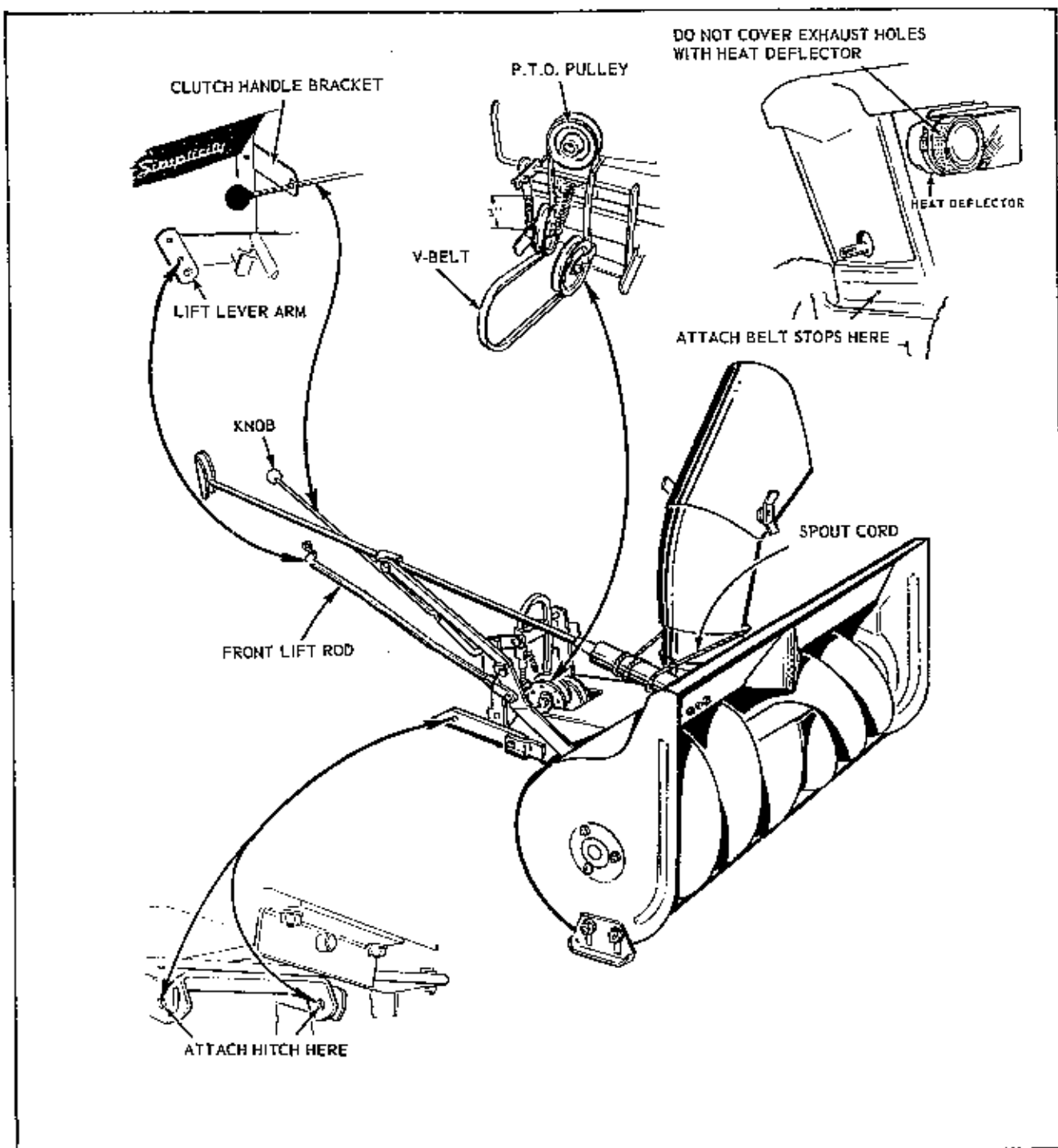


FIGURE 2

10. Position discharge spout directly forward. Position control tube so that the cord clamp faces away from the side of the spout. Provide one (1) coil on top and one (1) coil on bottom. Position the free ends of the cord around the spout and the clamp securely into position after removing all slack from the cord. The end of the cord closest to operator passes under the tube, end away from operator passes over the top of tube. See Figure 2.

11. Remove forward, top capscrew from right hand side panel. Insert clutch handle bracket between side panel and side member of fuel tank and steering post support

assembly. Secure with same capscrew and lockwasher. See Figure #2.

12. Insert clutch control rod through bracket and attach to clutch pivot and secure in place with spring clip. See Figure 2.

13. The lift lever quadrant on the side of the tractor contains a series of holes and a pin. Place the pin in the foremost hole of the quadrant and secure in place with spring clip. Release the lift lever and place in a forward position. Attach the yoke end of front lift rod to the lift

lever arm using top hole, on the right hand side of the tractor, with yoke pin and spring clip. Insert lower end of lift rod into lift arm bracket of push bar and secure with spring clip. The lower end of the front lift rod is to point away from the tractor. See Figure 2.

At this point when the lift lever is about 1/4" away from the pin in the quadrant, the rotor housing should be in contact with the ground. This will allow the plow to follow the contours of the surface being plowed but the quadrant pin will prevent the lift lever from latching in the forward position if the plow is driven over a curbing.

14. Position heat deflector over the muffler and adjacent to the engine. Flap of deflector to be positioned against air cleaner. Secure with clamp provided. See Figure 2. This deflector is provided for winter use only and must be removed in warm weather to prevent overheating and damaging of engine. The deflector directs a flow of warm air around the carburetor and allows for more efficient winter operation of the tractor engine.

Adjustment of Belts

With belt disengaged, the Spring, (Ref. Let. AH Page 6) should be compressed to 3". See Fig. 2. Additional

adjusting must be done by repositioning Set Collar. (Ref. Let. AF Page 6) if adequate belt slack cannot be achieved, only then, it is recommended to reposition Bearing Housing (Ref. Let. AJ Page 7) towards operator.

Operation

Engagement of Snow Thrower is accomplished by pushing the clutch handle forward. Pull knob to operator for disengagement. IT IS IMPORTANT to maintain constant torque on the nut (Ref. Let. AP Page 6). This will keep Snow Thrower disengaged when clutch handle is in the disengaged position.

Lubrication

There is one grease fitting on this snow thrower. (See Ref. Let. AL on Page 7). Lubricate with a general purpose automotive type grease every 15 hours of operation. Remove Chain Guard (Ref. Let. AQ Page 7) and apply a coating of grease on chain every 15 hours also the occasional application of light motor oil as indicated on Page 6 will assist in operation of this thrower.

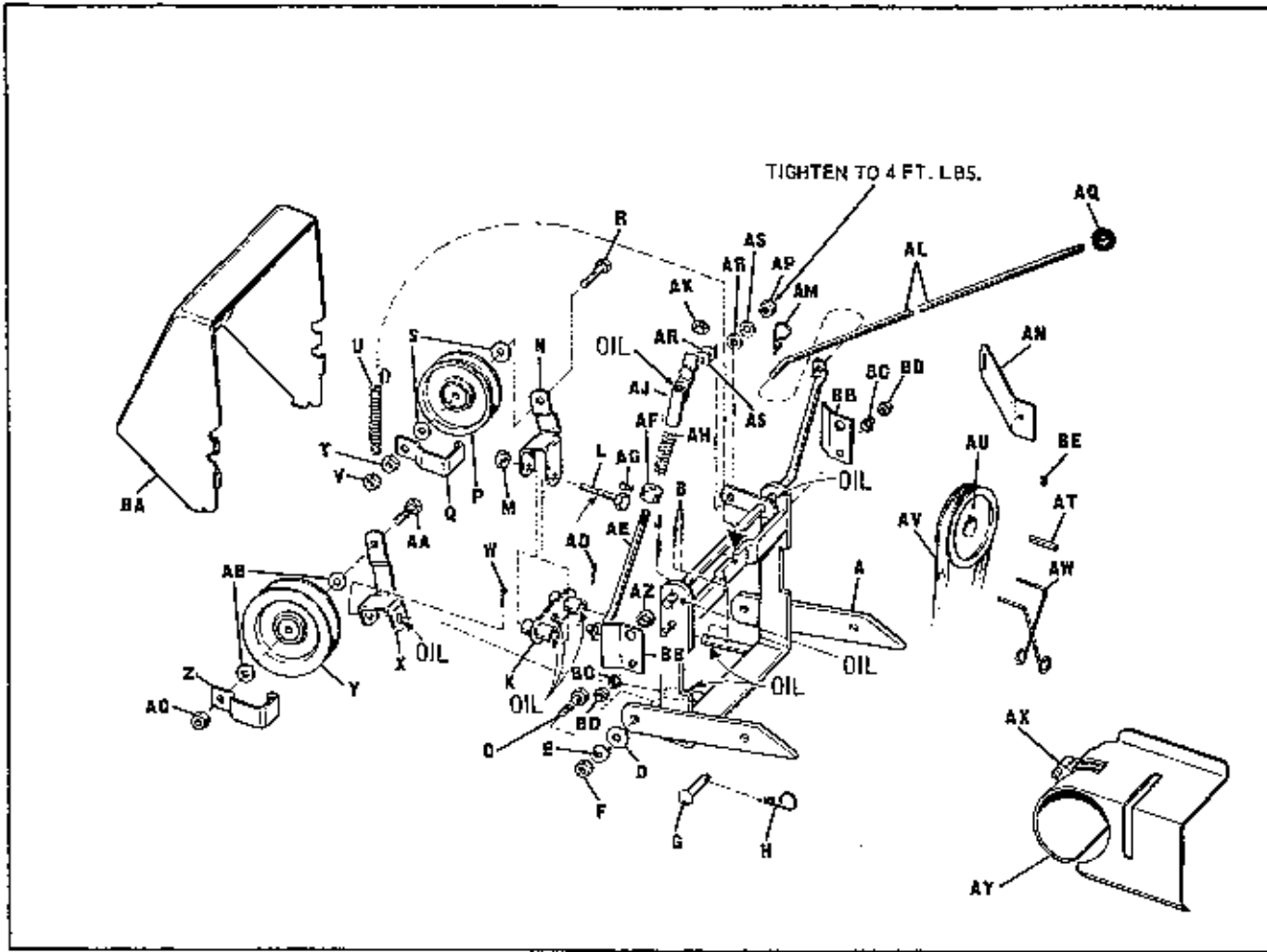
SAFE SNOW REMOVAL IS NO ACCIDENT

Improper use of snow removal equipment on the part of the operator can result in injury. To reduce this possibility, give complete and undivided attention to the job at hand.

PROTECT YOURSELF AND OTHERS BY FOLLOWING THESE SAFETY TIPS

1. Disengage power and stop motor before cleaning discharge, removing obstacles, making adjustments, or when leaving operating position.
2. Never direct discharge at bystanders nor allow anyone in front of machine--debris may be hidden in the snow.
3. Keep children and pets a safe distance away.
4. Do not allow children to operate machine nor allow adults to operate it without proper instruction.
5. Adjust height to clear gravel or crushed rock surface.
6. Exercise caution to avoid slipping or falling, especially when operating in reverse.
7. Know the controls and how to stop quickly -- read the owner's manual.
8. Handle gasoline with care -- it is highly flammable.
 - A. Use approved gasoline container.
 - B. Never add gasoline to a running motor -- fill tank out of doors and wipe up spilled gasoline.
 - C. Replace gasoline cap securely.
 - D. Open doors if motor is run in garage -- exhaust gases are dangerous.
9. Disengage all clutches and shift into neutral before starting motor. Keep hands, feet and clothing away from power driven parts.
10. Use a grounded three wire extension cord for all plug-in electric units.
11. Keep machine in good operating condition and keep safety devices in place.

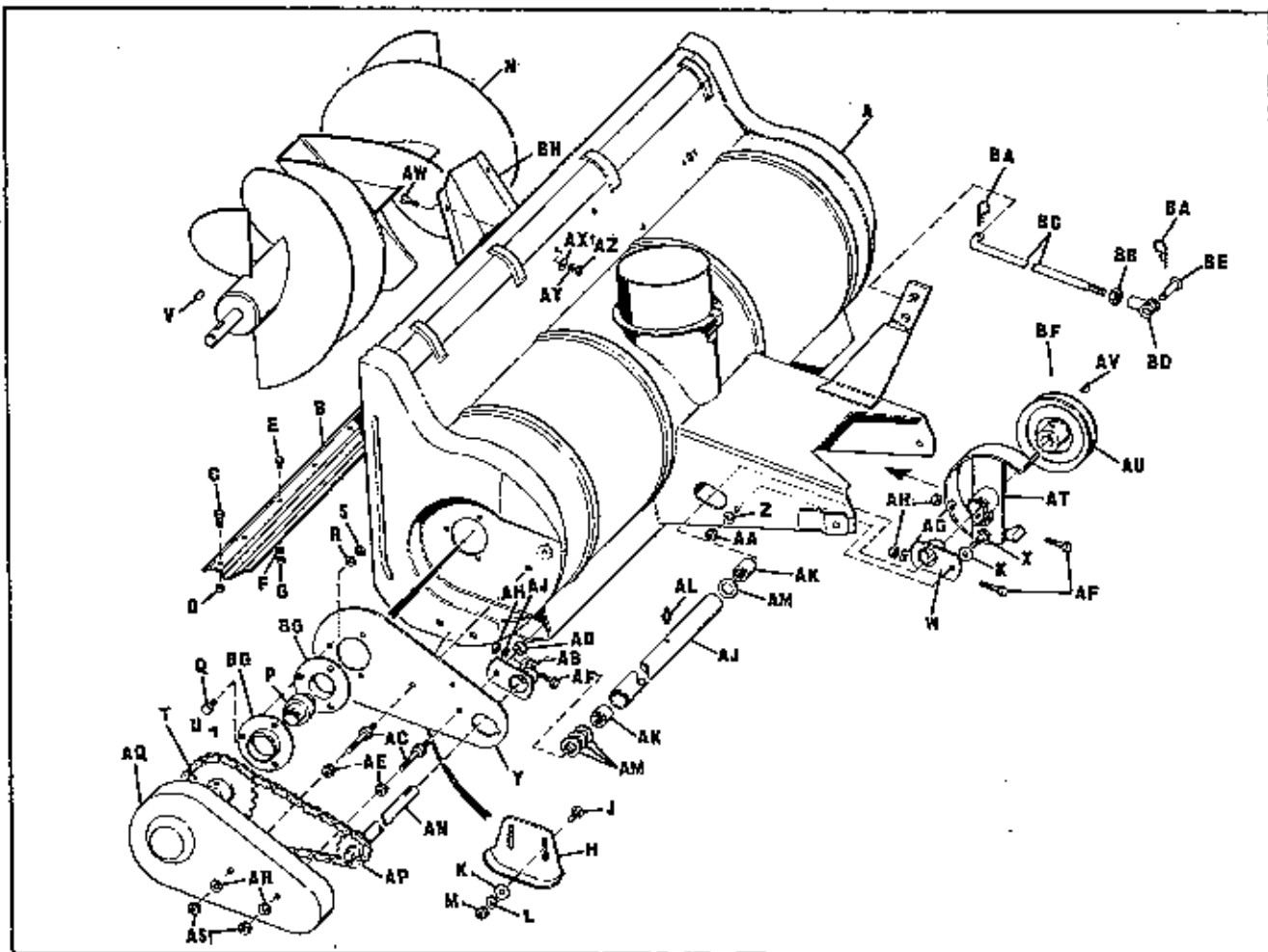
HITCH & PULLEY GROUP



| Ref. Let. | Part No. | Description |
|-----------|----------|----------------------------------|
| A | 106726 | Hitch Assembly |
| B | 722006 | Cotter Pin, 1/8" Dia. x 1" |
| C | 121184 | Hex. Cap Screw |
| D | 719001 | Plain Washer, 3/8" |
| E | 721701 | Spring Washer, 3/8" |
| F | 717515 | Full Lock Hex Nut, 3/8"-24 |
| G | 118053 | Pin |
| H | 106788 | Spring Clip |
| J | 722006 | Cotter Pin, 1/8" Dia. x 1" |
| K | 106674 | Lever Ass'y Idler |
| L | 705003 | Hex. Cap Screw |
| M | 717510 | Full Lock Hex. Nut, 3/8"-16 |
| N | 106694 | Idler Bracket |
| P | 106716 | Idler Pulley |
| Q | 106717 | Guide Belt |
| R | 705009 | Hex. Cap Screw, 3/8"-16 x 1-1/2" |
| S | 719002 | Plain Washer, 5/16" |
| T | 717013 | Hex. Jam Nut |
| U | 106681 | Return Spring |
| V | 717510 | Full Lock Hex. Nut, 3/8"-16 |
| W | 722006 | Cotter Pin, 1/8" Dia. x 1" |
| X | 106695 | Idler Bracket |
| Y | 101096 | Idler Pulley |
| Z | 106690 | Belt Guide |
| AA | 705016 | Hex. Cap Screw, 3/8"-16 x 1-1/4" |
| AB | 719002 | Plain Washer, 5/16" |
| AC | 717510 | Full Lock Hex. Nut, 3/8"-16 |

| Ref. Let. | Part No. | Description |
|-----------|----------|-------------------------------|
| AD | 722001 | Cotter Pin, 3/32" Dia. x 3/4" |
| AE | 106770 | Clutch Rod |
| AF | 8191022 | Set Collar |
| AG | 713001 | Set Screw, 1/4"-20 x 3/8" |
| AH | 8191045 | Spring |
| AJ | 106768 | Rod Assembly Guide |
| AK | 717511 | Full Lock Hex. Nut, 5/16"-18 |
| AL | 106710 | Clutch Handle |
| AM | 106787 | Spring Clip |
| AN | 106687 | Bracket |
| AP | 717525 | Stop Nut, 5/16"-18 |
| AQ | 122005 | Knob |
| AR | 159134 | Nylon Washer |
| AS | 719002 | Plain Washer, 5/16" |
| AT | 159129 | Key |
| AU | 106761 | Engine Pulley |
| AV | 106769 | V-Belt |
| AW | 106707 | Belt Stop |
| AX | 106692 | Deflector Clamp |
| AY | 106789 | Heat Deflector |
| AZ | 106731 | Spacer |
| BA | 106730 | Cover, Pulley |
| BB | 106728 | Clip, Pulley Cover |
| BC | 157127 | Spring, Conical |
| BD | 717511 | Full Lock Hex. Nut, 5/16"-18 |
| BE | 715049 | Set Screw, 3/8" x 24 x 3/8" |

ROTOR, BODY & DRIVE GROUP

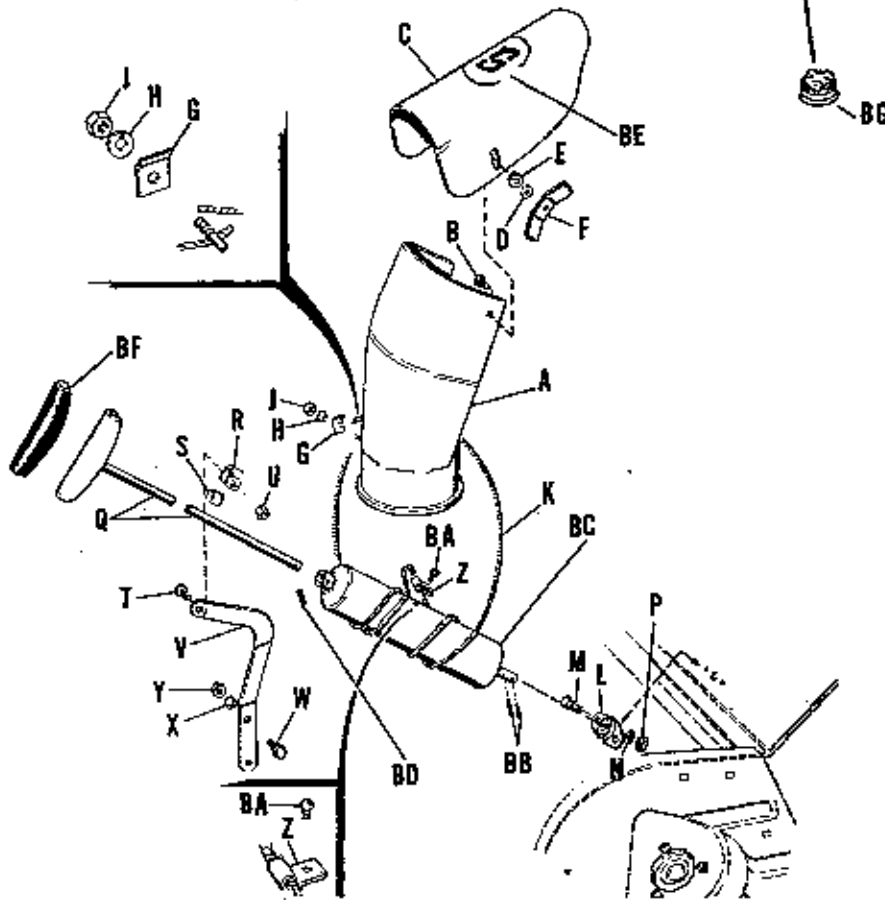


| Ref. Let. | Part No. | Description |
|-----------|----------|---------------------------------|
| A | 106738 | Body Assembly |
| B | 106746 | Body Scraper |
| C | 715071 | Hex. Cap Screw, 5/16"-18 x 5/8" |
| D | 717511 | Full Lock Hex. Nut, 5/16"-18 |
| E | 715018 | Hex. Cap Screw, 1/4"-20 x 5/8" |
| F | 720003 | Lock Washer, 1/4" |
| G | 717005 | Full Hex. Nut, 1/4"-20 |
| H | 106747 | Skid |
| J | 703004 | Carriage Bolt, 3/8"-16 x 3/4" |
| K | 719001 | Plain Washer, 3/8" |
| L | 720002 | Lock Washer, 3/8" |
| M | 717003 | Full Hex. Nut, 3/8"-16 |
| N | 106748 | Rotor Assembly |
| P | 106732 | Bearing Cartridge |
| Q | 705017 | Hex. Cap Screw, 5/16"-18 x 3/4" |
| R | 720001 | Lock Washer, 5/16" |
| S | 717001 | Full Hex. Nut, 5/16"-18 |
| T | 106653 | Rotor Sprocket |
| U | 713503 | Set Screw, 5/16"-18 x 5/16" |
| V | 151040 | Hi-Pro Key |
| W | 106476 | Support Assembly Clamp |
| X | 705005 | Hex. Cap Screw, 3/8"-1 x 1" |
| Y | 106745 | Side Plate |
| Z | 720002 | Lock Washer, 3/8" |
| AA | 717003 | Full Hex. Nut, 3/8"-16 |
| AB | 106476 | Support Assembly Clamp |
| AC | 106771 | Stud |
| AD | 718035 | Nut. Flange, 3/8"-16 |

| Ref. Let. | Part No. | Description |
|-----------|----------|-----------------------------------|
| AE | 717510 | Full Lock Hex. Nut, 3/8"-16 |
| AF | 705018 | Hex. Cap Screw, 5/16"-18 x 1-1/2" |
| AG | 720001 | Lock Washer, 5/16" |
| AH | 717001 | Full Hex. Nut, 5/16"-18 |
| AJ | 106756 | Bearing Housing |
| AK | 154258 | Needle Bearing |
| AL | 727002 | Grease Fitting |
| AM | 8061012 | Washer |
| AN | 106757 | Shaft Assembly |
| AP | 106058 | Chain |
| AQ | 106759 | Chain Guard |
| AR | 720002 | Lock Washer, 3/8" |
| AS | 717003 | Full Hex. Nut, 3/8"-16 |
| AT | 106660 | Belt Guard Assembly |
| AU | 106663 | Pulley |
| AV | 725003 | Key, 3/16" Dia. X 3/4" |
| AW | 705012 | Hex. Cap Screw, 5/16"-18 x 5/8" |
| AX | 719002 | Plain Washer, 5/16" |
| AY | 720001 | Lock Washer, 5/16" |
| AZ | 717001 | Full Hex. Nut, 5/16"-18 |
| BA | 106788 | Spring Clip |
| BB | 717008 | Full Hex. Nut, 1/2" x 20 |
| BC | 106773 | Front Lift Rod |
| BD | 154304 | Adjusting End Yoke |
| BE | 154305 | Yoke Pin |
| BF | 713503 | Set Screw, 5/16"-18 x 5/16" |
| BG | 161069 | Bearing Flange |
| BH | 106774 | Deflector |

SPOUT GROUP

REPLACE 156175 FUEL TANK CAP WITH THIS CAP WHEN USING SNOW BLOWER.



| Ref. Let. | Part No. | Description |
|-----------|----------|--------------------------------|
| A | 106762 | Spout Assembly |
| B | 703005 | Carriage Bolt, 5/16"-18x3/4" |
| C | 106760 | Spout Extension |
| D | 719001 | Plain Washer, 3/8" |
| E | 721601 | Special Hex. Lock Washer, 3/8" |
| F | 106229 | Wing Nut |
| G | 121042 | Plate |
| H | 720001 | Lock Washer, 5/16" |
| J | 717001 | Full Hex. Nut, 5/16"-18 |
| K | 106592 | Spout Cord |
| L | 106491 | Bearing |
| M | 705015 | Hex. Capscrew, 1/4"-20 x 5/8" |
| N | 720003 | Lock Washer, 1/4" |
| P | 717005 | Full Hex. Nut, 1/4"-20 |
| Q | 106664 | Handle |

| Ref. Let. | Part No. | Description |
|-----------|----------|----------------------------------|
| R | 152050 | Rod Guide |
| S | 121175 | Guide Liner |
| T | 705019 | Hex. Capscrew, 5/16"-18x1-1/4" |
| U | 106666 | Rod Guide Support |
| V | 717511 | Full Hex. Lock Nut, 5/16"-18 |
| W | 705016 | Hex. Capscrew, 3/8"-16x1-1/4" |
| X | 720002 | Lockwasher, 3/8" |
| Y | 717003 | Hex. Nut, 3/8"-16 |
| Z | 154247 | Clamp |
| BA | 714016 | Self-Tapping Screw, 1/4"-20x1/2" |
| BB | 722016 | Cutter Pin, 3/32" x 5/8" |
| BC | 106603 | Control Tube, w/Socket |
| BD | 722015 | Cutter Pin, 5/32" x 1" |
| BE | 106512 | Decal |
| BF | 106516 | Handle Cover |
| BG | 106798 | Cap-Fuel, Tank |

PRINTED IN U.S.A.