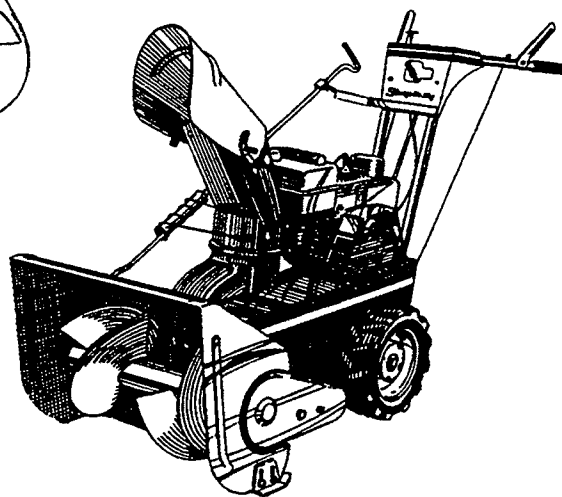
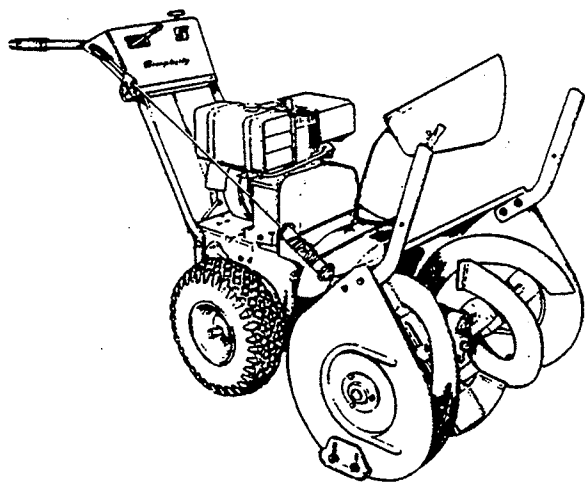


***Simplicity***<sup>®</sup>

**Parts Manual**

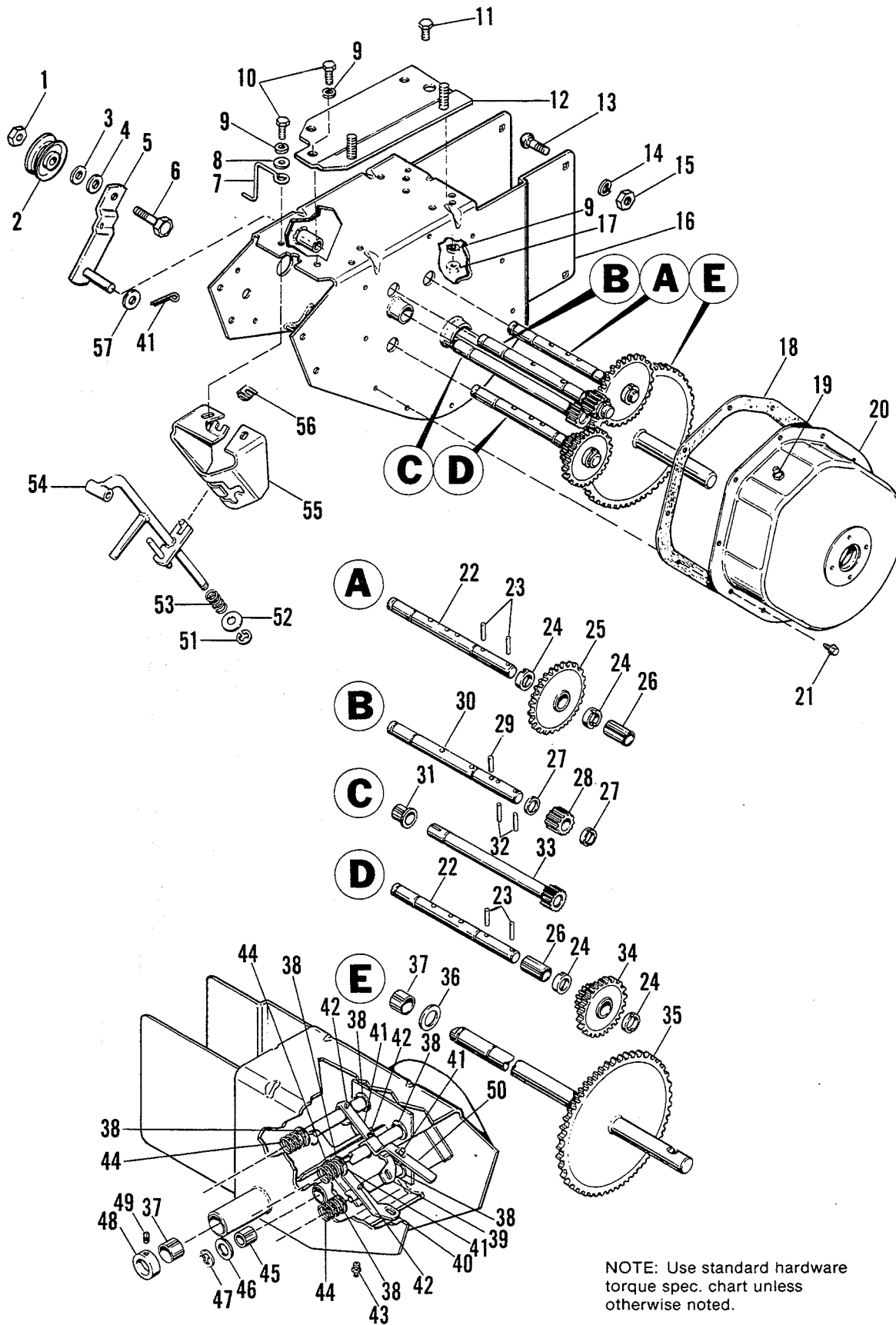


**WALK BEHIND  
SNOWTHROWERS**  
(Includes 1967—1979)



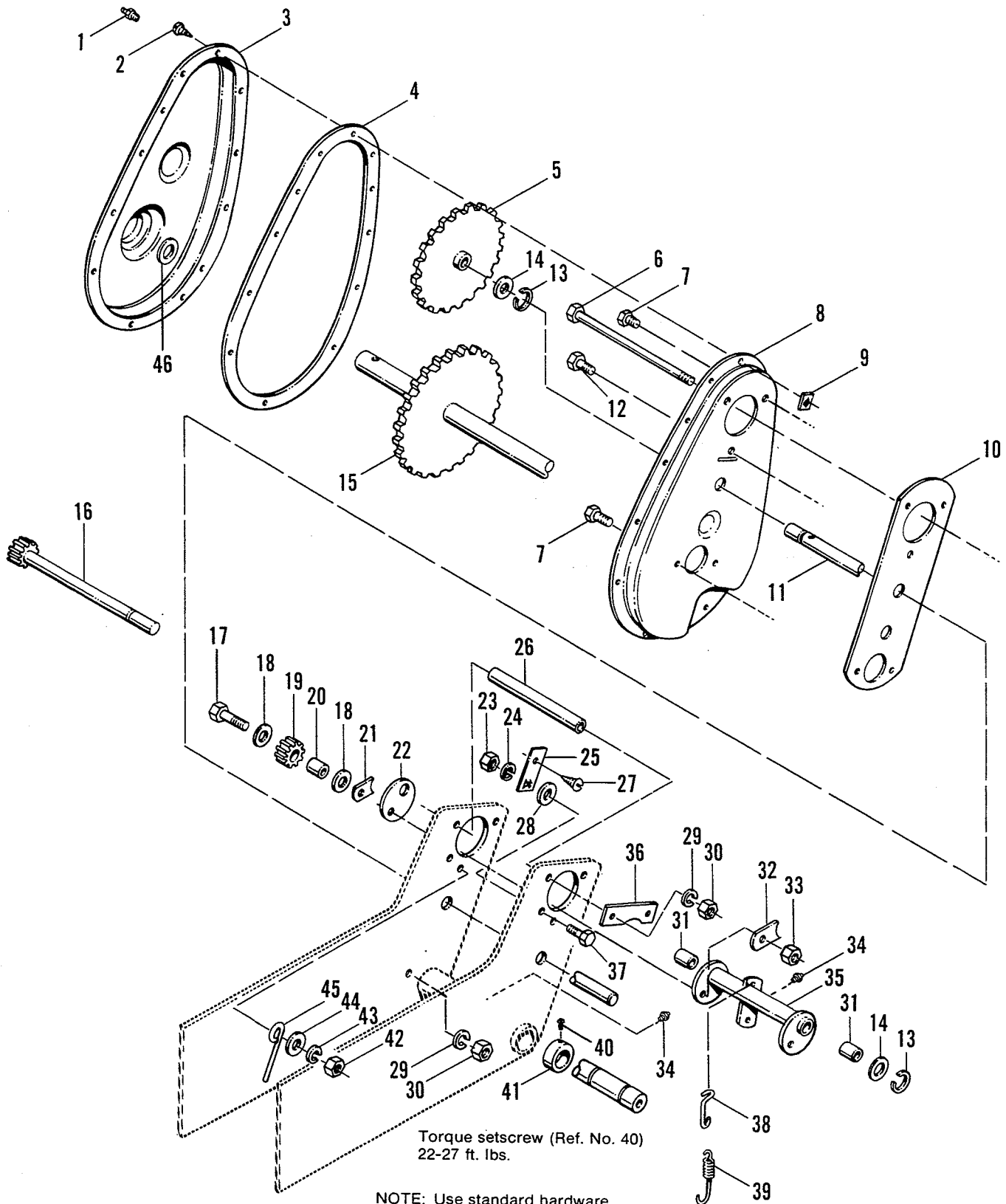
# Table of Contents

		<i>Transmission Group</i>	<i>Engine, Pulley &amp; Drive Group</i>	<i>Drive Group</i>	<i>Body &amp; Rotor Group</i>	<i>Handles &amp; Controls Group</i>	<i>Wheels &amp; Tires Group</i>	<i>Spout Group</i>	<i>Shield Group</i>
<b>1690442</b>	7 H.P. 2 Stage Snowthrower	2	18	36	38	48	60	66	74
<b>1690380</b>	8 H.P. 2 Stage Snowthrower	2	18	36	38	48	60	66	74
<b>1690379</b>	5 H.P. 2 Stage Snowthrower	2	18	36	38	48	60	66	74
<b>1690378</b>	4 H.P. Single Stage Snowthrower	4	22		40	50	62	66	
<b>1690305</b>	4 H.P. Single Stage Snowthrower	4	22		44	50	62	66	
<b>1690255</b>	8 H.P. 2 Stage Snowthrower	2	18		42	48	64	66	
<b>1690209</b>	5 H.P. 2 Stage Snowthrower	2	18		42	48	60	66	
<b>990870</b>	7 H.P. 2 Stage Snowthrower	6	26		42	52		66	
<b>990869</b>	5 H.P. 2 Stage Snowthrower	6	24		42	52		66	
<b>990796</b>	8 H.P. 2 Stage Snowthrower	6	26		42	52		66	
<b>990742</b>	5 H.P. Electric 2 Stage Snowthrower	6	24		42	52		68	
<b>990656</b>	6 H.P. 2 Stage Snowthrower	6	26		42	52		68	
<b>990652</b>	5 H.P. 2 Stage Snowthrower	6	24		42	52		68	
<b>990643</b>	7 H.P. 2 Stage Snowthrower	6	26		42	52		68	
<b>990560</b>	7 H.P. 2 Stage Snowthrower	14	34		46	58		72	
<b>990559</b>	6 H.P. Single Stage Snowthrower	8	30		44	56		70	
<b>990558</b>	4 H.P. Single Stage Snowthrower	8	30		44	56		70	
<b>990551</b>	5 H.P. 2 Stage Snowthrower	12	28		42	54		70	
<b>990483</b>	6 H.P. Single Stage Snowthrower	8	30		44	56		70	
<b>990482</b>	4 H.P. Single Stage Snowthrower	8	30		44	56		70	
<b>990430</b>	7 H.P. 2 Stage Snowthrower	14	34		46	58		72	
<b>990372</b>	7 H.P. 2 Stage Snowthrower	14	34		46	58		72	

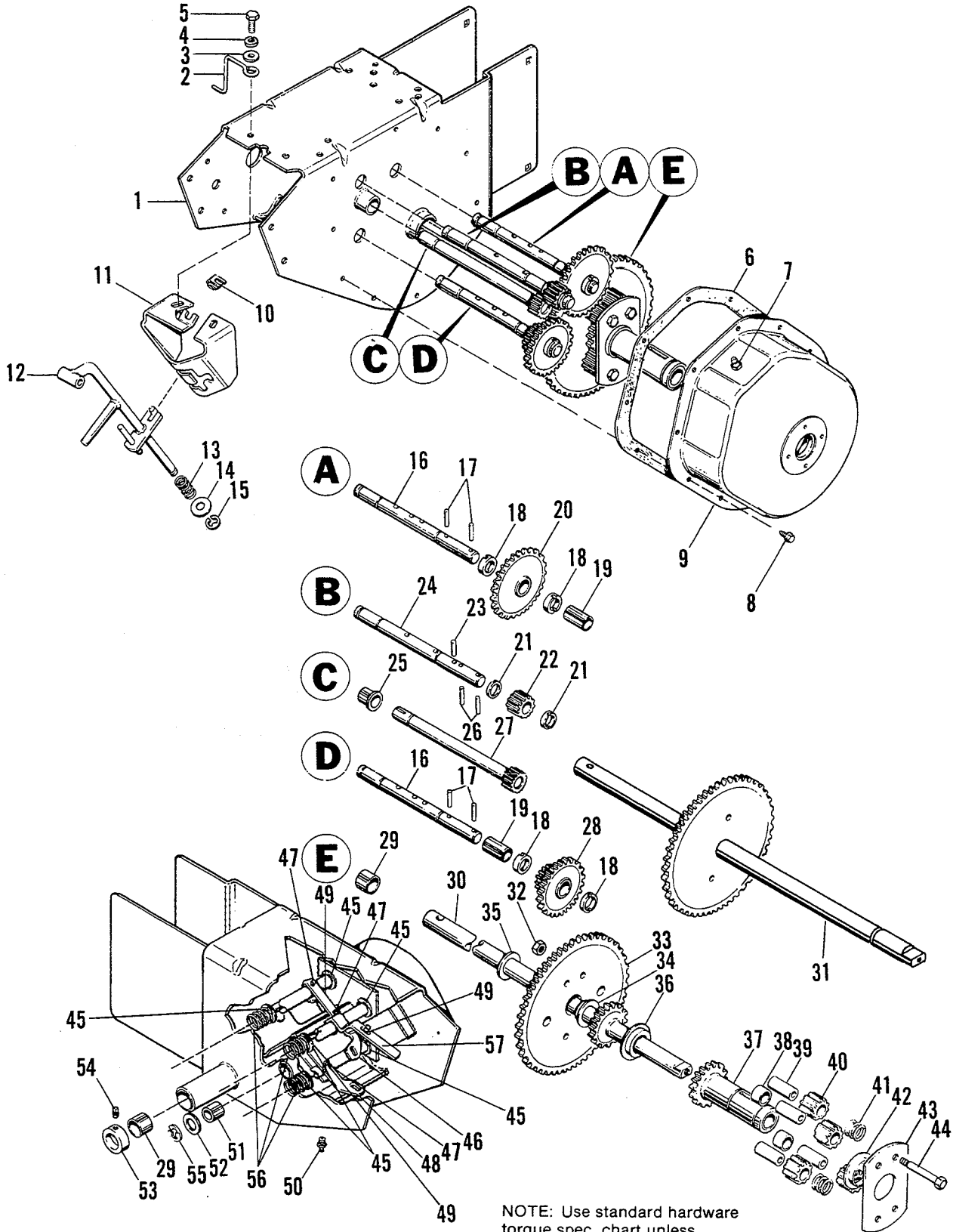


NOTE: Use standard hardware torque spec. chart unless otherwise noted.

Ref. No.	Part No.	Qty.	Description
1	930645	1	LOCKNUT, Hex, Flange, 3/8-16
2	1665427	1	PULLEY, Idler
	154534	1	PULLEY, Idler (1690209 & 1690255 Only)
3	1666295	1	SPACER (1690379, 1690380 & 1690442 Only)
4	917642	1	WASHER, Plain, 5/16
5	170768	1	ARM ASSY., Idler
6	162053	1	SCREW, Special
7	172789	1	STOP, Belt
8	917377	1	WASHER, Plain, 1/4
9	917356	3	LOCKWASHER, 5/16 (Qty. 2 used on 1690379 & 1690442)
10	921333	2	CAPSCREW, Hex Hd., 5/16-18 x 1
11	921332	1	CAPSCREW, Hex Hd., 5/16-18 x 3/4 (1690380 Only)
12	1664463	1	SUPPORT ASSY., Engine (1690380 Only)
13	922110	4	BOLT, Carriage, 3/8-16 x 3/4
14	916965	4	LOCKWASHER, 3/8
15	916950	4	NUT, Hex, Full, 3/8-16
16	1664496	1	ENGINE BASE & FRAME ASSY.
17	917372	1	NUT, Hex, Full, 5/16-18
18	158524	1	GASKET
19	928724	1	FITTING, Lube
20	161265	1	CASE ASSY., Gear
21	927428	10	SCREW, Taptite, 1/4-20 x 3/8
22	158541	2	SHAFT, Intermediate
23	918111	4	PIN, Roll, 1/8 x 1
24	158561	4	COLLAR, Thrust
25	158542	1	GEAR & BEARING ASSY.
26	158544	2	BEARING
27	158562	2	COLLAR, Thrust
28	158557	1	PINION, Reverse
29	921450	1	PIN, Spring, 5/32 x 1
30	158534	1	SHAFT, Reverse
31	158569	1	BEARING, Bronze
32	916168	2	PIN, Spring, 1/8 x 3/4
33	172782	1	SHAFT ASSY., Gear
34	158570	1	GEAR & BEARING ASSY.
35	161221	1	AXLE & GEAR ASSY.
36	118252	1	WASHER
37	158363	2	BUSHING
38	1602155	6	RING, Retaining
39	171237	1	LINK, Shift, Lo
40	171169	1	LINK, Shift, High
41	918447	4	PIN, Cotter, 3/32 x 3/4
42	919314	3	PIN, Cotter, 3/16 x 1-1/4
43	921133	2	FITTING, Grease
44	158578	3	SPRING
45	8051038	1	BUSHING
46	153079	1	WASHER
47	153124	1	RING, Retaining
48	158357	1	COLLAR, Set
49	928709	1	SETSCREW, 5/16-18 x 3/8
50	161227	1	LINK, Shift, Reverse
51	157288	1	RING, Retaining
52	918430	1	WASHER, Plain, 7/16
53	161290	1	SPRING
54	171396	1	SHIFT ROD ASSY., Lower
55	171391	1	GUIDE, Pattern
56	930655	2	NUT, Retainer, 5/16
57	158645	1	WASHER



Ref. No.	Part No.	Qty.	Description
1	928724	1	FITTING, Grease, 7/16
2	923735	12	SCREW, Self Tapping, #10 x 3/8
3	153106	1	COVER ASSY., Gear Case
4	153115	1	GASKET
5	103206	1	GEAR ASSY.
6	106216	1	BOLT, Frame
7	925205	3	CAPSCREW, Hex Hd., 5/16-18 x 5/8
8	153105	1	CASE, Gear
9	928699	12	NUT, Speed
10	153114	1	GASKET
11	106193	1	SHAFT, Intermediate
12	921210	1	CAPSCREW, Hex Hd., 3/8-16 x 1
13	153124	2	RING, Retaining
14	153079	2	WASHER
15	161164	1	AXLE & GEAR ASSY.
16	121115	1	SHAFT ASSY., Pulley
17	930575	1	CAPSCREW, Hex Hd., 3/8-16 x 1-1/2
18	917642	2	WASHER, Plain, 5/16
19	121118	1	PINION
20	121163	1	SPACER, Pinion
21	121107	1	SPACER, Reverse Pinion
22	153094	1	SHIELD
23	916622	1	NUT, Hex, Full, 1/4-20
24	916964	1	LOCKWASHER, 1/4
25	928723	1	NUT, Speed
26	106217	1	SPACER, Frame
27	919804	1	SCREW, Self Tapping, #10 x 3/8
28	917377	1	WASHER, Plain, 1/4
29	917356	4	LOCKWASHER, 5/16
30	917372	4	NUT, Hex, Full, 5/16-18
31	156064	2	BUSHING
32	121139	1	PLATE, Lock
33	153090	1	NUT, Hex, Full, L.H. Thd., 3/8-16
34	914687	2	FITTING, Grease (1690378 Only)
	912808	2	FITTING, Grease
35	1651091	1	HOUSING, W/Bearings (Includes Ref. Nos. 31 & 34)
36	106215	1	PLATE, Friction Stop
37	921959	1	CAPSCREW, Hex Hd., 1/4-20 x 5/8
38	153011	1	SPRING, Extension
39	153121	1	SPRING, Reverse Lever
40	928721	1	SETSCREW, 5/16-18 x 1/2
41	154065	1	COLLAR, Set
42	916950	1	NUT, Hex, Full, 3/8-16
43	916965	1	LOCKWASHER, 3/8
44	917378	1	WASHER, Plain, 3/8
45	121044	1	PIN, Lock
46	8061055	1	RING, Retaining

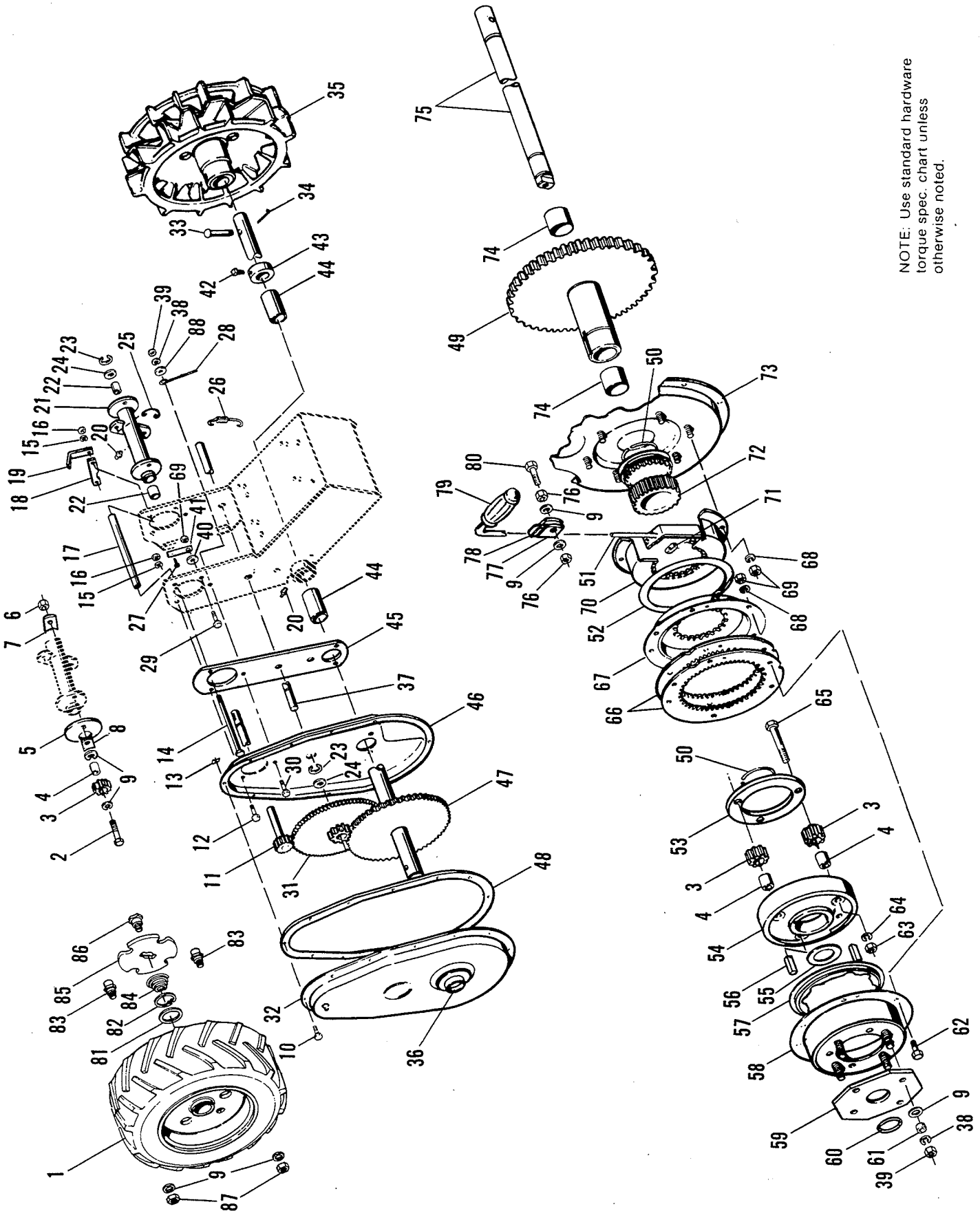




Ref. No.	Part No.	Qty.	Description
1	1664496	1	ENGINE BASE & FRAME ASSY.
2	172789	1	STOP, Belt
3	917377	1	WASHER, Plain, 1/4
4	917356	2	LOCKWASHER, 5/16
5	921333	2	CAPSCREW, Hex Hd., 5/16-18 x 1
6	158524	1	GASKET
7	928724	1	FITTING, Grease
8	927428	10	SCREW, Taptite, 1/4-20 x 3/8
9	158521	1	CASE ASSY., Gear (990643 & 990796 Only)
	*161265	1	CASE ASSY., Gear
10	930655	2	NUT, Retainer, 5/16-18
11	171391	1	GUIDE, Pattern
12	171396	1	SHIFT ROD ASSY., Lower
13	161290	1	SPRING
14	918430	1	WASHER, Plain, 7/16
15	157288	1	RING, Retaining
16	158541	2	SHAFT, Intermediate
17	918111	4	PIN, Roll, 1/8 x 1
18	158561	4	COLLAR, Thrust
19	158544	2	BEARING
20	158542	1	GEAR & BEARING ASSY.
21	158562	2	COLLAR, Thrust
22	158557	1	PINION, Reverse
23	921450	1	PIN, Roll, 5/32 x 1
24	158534	1	SHAFT, Reverse
25	158569	1	BEARING, Bronze
26	916168	2	PIN, Roll, 1/8 x 3/4
27	172782	1	SHAFT ASSY., Gear (990796 & 990869 Only)
	**106944	1	SHAFT ASSY., Gear
28	158570	1	GEAR & BEARING ASSY.
29	158363	2	BUSHING
30	170772	1	AXLE ASSY., L.H. (990643 & 990796 Only)
*31	161221	1	AXLE & GEAR ASSY.
32	930651	4	LOCKNUT, Hex, 3/8-16 (990643 & 990796 Only)
33	158530	1	GEAR, Drive (990643 & 990796 Only)
34	158356	1	BUSHING (990643 & 990796 Only)
35	118252	1	WASHER (990643 & 990796 Only)
36	158358	1	CUP, Thrust (990643 & 990796 Only)
37	170536	1	AXLE & BUSHING ASSY., R.H. (990643 & 990796 Only)
38	121084	2	SPACER (990643 & 990796 Only)
39	121083	4	SPINDLE (990643 & 990796 Only)
40	158579	4	PINION, Diff. (990643 & 990796 Only)
41	162085	2	SPRING (990643 & 990796 Only)
42	158365	1	BUSHING (990643 & 990796 Only)
43	158364	1	PLATE, Diff. (990643 & 990796 Only)
44	921972	4	CAPSCREW, Hex Hd., 3/8-16 x 2-1/2 (990643 & 990796 Only)
45	1602155	6	RING, Retaining
46	171237	1	LINK, Shifter, Lo
47	919314	3	PIN, Cotter, 3/16 x 1-1/4
48	171169	1	LINK, Shift, High
49	918447	3	PIN, Cotter, 3/32 x 3/4
50	912808	2	FITTING, Grease
51	8051038	1	BEARING, Bronze
52	153079	1	WASHER
53	158357	1	COLLAR, Set
54	928709	1	SETSCREW, 5/16-18 x 3/8
55	153124	1	RING, Retaining
56	158578	3	SPRING
57	161227	1	LINK, Shift, Reverse

\*Used on Mfg. No. 990652, 990656, 990742, 990869, 990870.

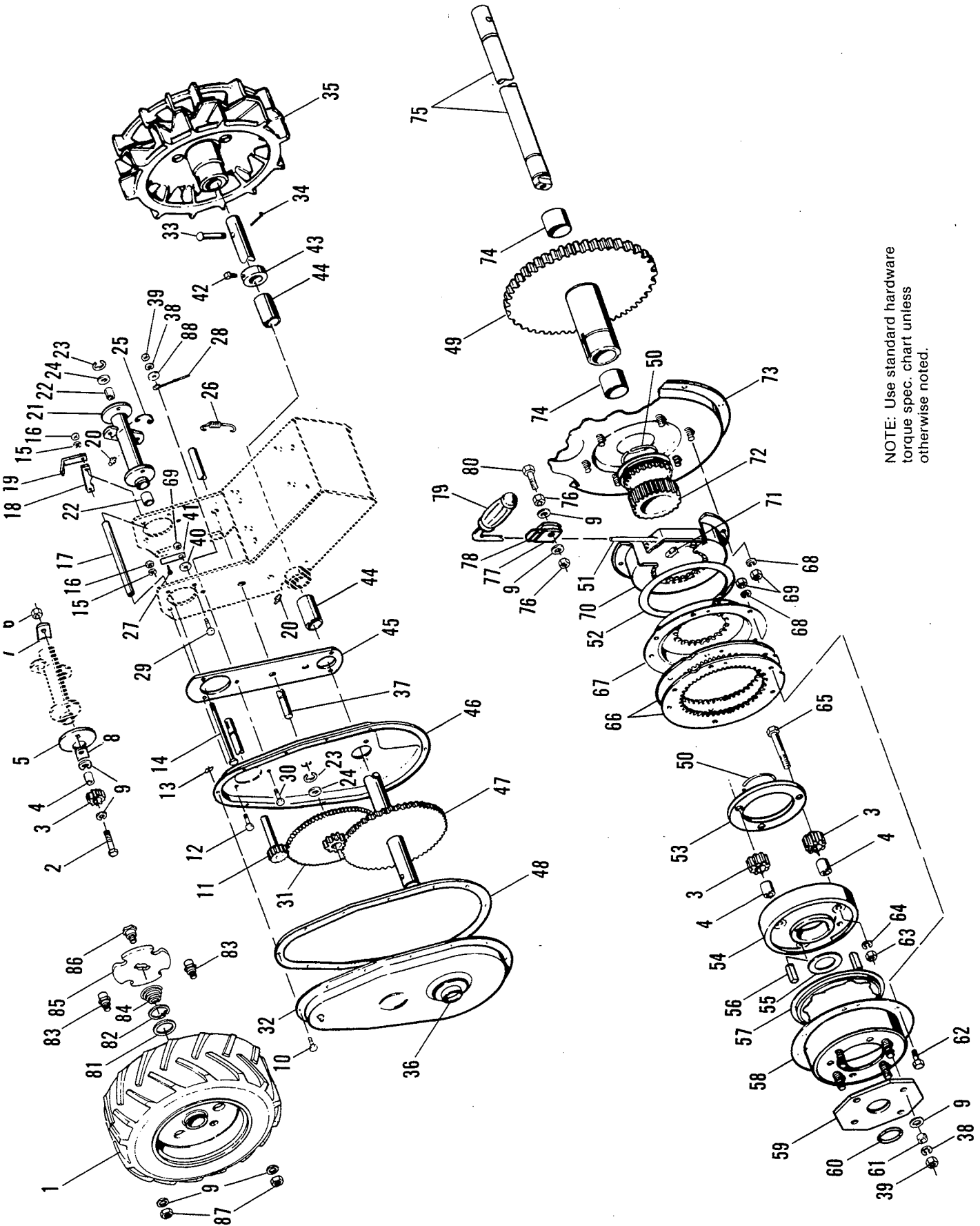
\*\*Used on Mfg. No. 990643, 990652, 990656, 990742, 990870.



NOTE: Use standard hardware torque spec. chart unless otherwise noted.

Ref. No.	Part No.	Qty.	Description
1	161161	2	WHEEL & TIRE ASSY.
2	930575	1	CAPSCREW, Hex Hd., L.H. Thd., 3/8-16 x 1-1/2
3	121118	3	PINION, Reverse (Qty. 1 used on 990482 & 990558)
4	121163	3	SPACER (Qty. 1 used on 990482 & 990558)
5	153094	1	SHIELD
6	153090	1	NUT, Hex, Full, L.H. Thd., 3/8-16
7	121139	1	PLATE, Lock
8	121107	1	SPACER, Reverse Pinion
9	917642	10	WASHER, Plain, 5/16 (Qty. 6 used on 990482 & 990558)
10	928688	12	SCREW, Self Tapping, #10 x 1/2
11	121115	1	SHAFT ASSY., Pulley
12	925205	1	CAPSCREW, Hex Hd., 5/16-18 x 5/8
13	928699	12	NUT, Speed
14	106216	1	BOLT, Frame
15	917356	2	LOCKWASHER, 5/16
16	917372	2	NUT, Hex, Full, 5/16-18
17	106217	1	SPACER, Frame
18	106215	1	PLATE, Friction, Stop
19	106777	1	GUIDE, Clutch Wire (990482 & 990558 Only)
20	912808	3	FITTING, Grease (Qty. 2 used on 990482 & 990558)
21	106199	1	HOUSING ASSY., Bearing
22	8051038	2	BEARING
23	153124	3	RING, Retaining
24	153079	3	WASHER
25	153011	1	EXTENSION, Spring
26	153121	1	SPRING, Reverse Lever
27	919804	1	SCREW, Self Tapping, #10 x 3/8
28	121044	1	PIN, Lock
29	921959	1	CAPSCREW, Hex Hd., 1/4-20 x 5/8
30	921210	1	CAPSCREW, Hex Hd., 3/8-16 x 1
31	103206	1	GEAR ASSY.
32	153106	1	COVER ASSY. Gear Case
33	118053	2	PIN
34	918196	2	PIN, Quick
35	106420	2	WHEELS, Steel
36	8061055	1	WASHER, Retaining
37	106193	1	SHAFT, Intermediate
38	916965	5	LOCKWASHER, 3/8 (Qty. 1 used on 990482 & 990558)
39	916950	5	NUT, Hex, Full, 3/8-16 (Qty. 1 used on 990482 & 990558)
40	917377	1	WASHER, Plain, 1/4
41	928723	1	DETENT, Neutral
42	928721	1	SETSCREW, 5/16-18 x 1/2
43	154065	1	COLLAR, Set
44	153089	2	BEARING

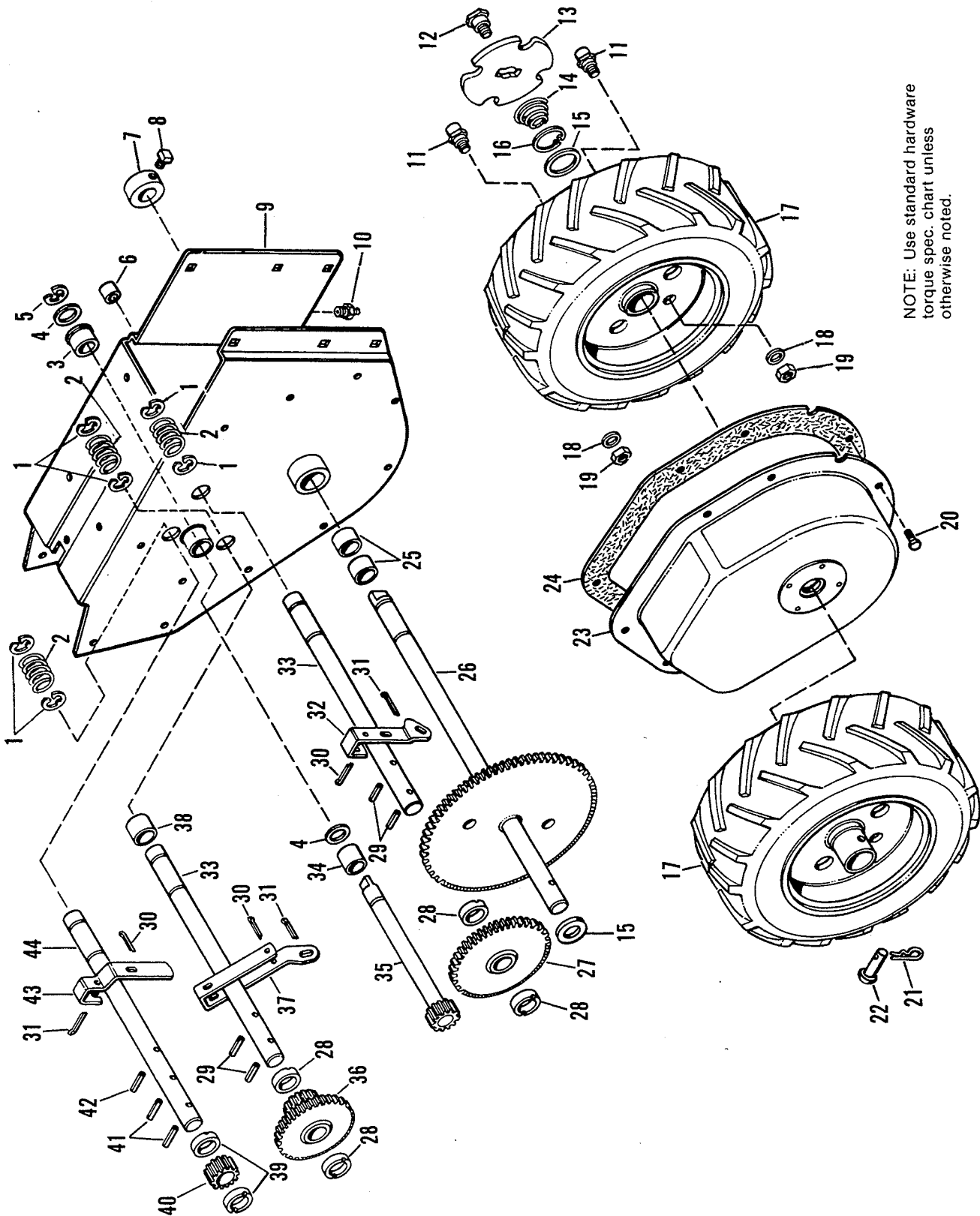
NOTE: Parts Ref. No. 45-88 are found on the following page.



NOTE: Use standard hardware torque spec. chart unless otherwise noted.

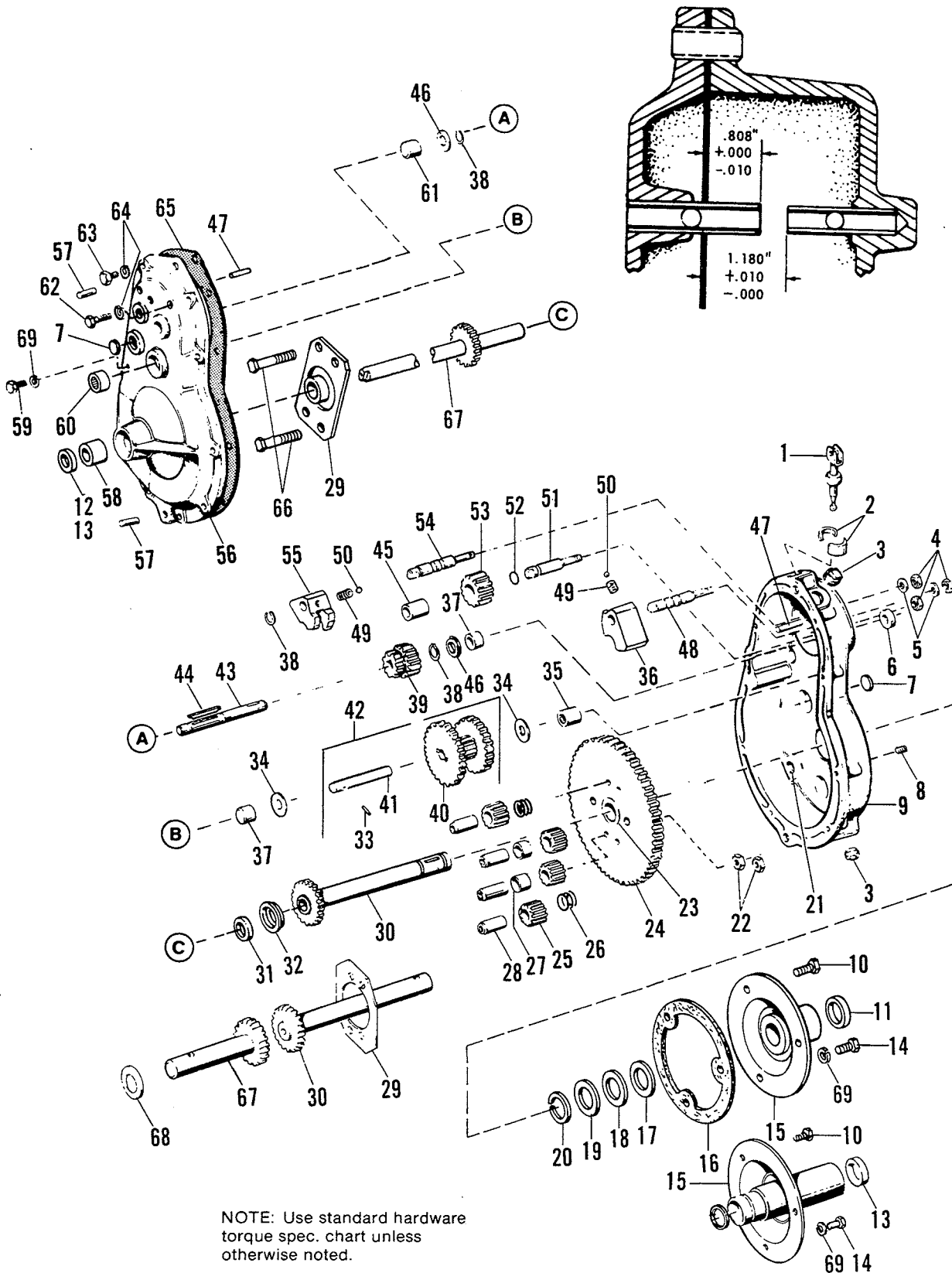
Ref. No.	Part No.	Qty.	Description
45	153114	1	GASKET
46	153105	1	CASE, Gear
47	106435	1	AXLE & GEAR ASSY. (990482 Only)
	161164	1	AXLE & GEAR ASSY. (990558 Only)
48	153115	1	GASKET, Gear Case
49	1656424	1	GEAR & TUBE ASSY. (990483 & 990559 Only)
50	121167	2	RING, Snap (990483 & 990559 Only)
51	106410	1	ROD ASSY., Shift (990483 & 990559 Only)
52	121186	1	SEAL (990483 & 990559 Only)
53	121162	1	RING, Bolt (990483 & 990559 Only)
54	106416	1	SPIDER (990483 & 990559 Only)
55	106391	1	WASHER (990483 & 990559 Only)
56	106394	2	KEY (990483 & 990559 Only)
57	121185	1	PLATE, Thrust (990483 & 990559 Only)
58	106407	1	CARRIER ASSY. (990483 & 990559 Only)
59	106405	1	PLATE, Axle, R.H. (990483 & 990559 Only)
60	154291	1	RING, Snap (990483 & 990559 Only)
61	106392	1	SPACER (990483 & 990559 Only)
62	921959	5	CAPSCREW, Hex Hd., 1/4-20 x 5/8 (990483 & 990559 Only)
63	923736	3	NUT, Hex, Full, 3/8-24 (990483 & 990559 Only)
64	920427	3	LOCKWASHER, Ext., 3/8 (990483 & 990559 Only)
65	922128	3	CAPSCREW, Hex Hd., 3/8-24 x 1-1/2 (990483 & 990559 Only)
66	121151	2	GEAR, Ring (990483 & 990559 Only)
67	121148	1	COVER ASSY. (990483 & 990559 Only)
68	916964	5	LOCKWASHER, 1/4 (990483 & 990559 Only)
69	916622	5	NUT, Hex, Full, 1/4-20 (990483 & 990559 Only)
70	121146	1	HOUSING ASSY. (990483 & 990559 Only)
71	121169	1	BLOCK, Shift (990483 & 990559 Only)
72	121187	1	GEAR ASSY., Sun (990483 & 990559 Only)
73	121144	1	COVER ASSY., Gear Case (990483 & 990559 Only)
74	153068	2	BEARINGS (990483 & 990559 Only)
75	106406	1	SHAFT, Axle (990483 Only)
	161170	1	SHAFT, Axle (990559 Only)
76	923362	2	LOCKNUT, Hex, 5/16-18 (990483 & 990559 Only)
77	153074	1	GUIDE, Rod (990483 & 990559 Only)
78	121175	1	LINER (990483 & 990559 Only)
79	106572	1	GRIP (990483 & 990559 Only)
80	921977	1	CAPSCREW, Hex Hd., 5/16-18 x 1-1/4 (990483 & 990559 Only)
81	153088	2	WASHER (990558 & 990559 Only)
82	158396	2	RING, Retaining (990558 & 990559 Only)
83	161167	2	STUD (990558 & 990559 Only)
84	161176	1	SPRING (990558 & 990559 Only)
85	161168	1	PLATE (990558 & 990559 Only)
86	161166	1	BOLT, Shoulder (990558 & 990559 Only)
87	930651	2	LOCKNUT, Hex, 3/8-16
88	917378	1	WASHER, Plain, 3/8

NOTE: Parts Ref. No. 1-44 are found on the preceding page.



NOTE: Use standard hardware torque spec. chart unless otherwise noted.

Ref. No.	Part No.	Qty.	Description
1	158596	6	RING, Retaining
2	158578	3	SPRING
3	158569	1	BEARING, Bronze
4	153079	2	WASHER
5	153124	1	RING, Retaining
6	158363	1	BUSHING
7	158357	1	COLLAR, Set
8	928709	1	SETSCREW, 5/16-18 x 3/8
9	106991	1	ENGINE BASE & FRAME ASSY.
10	921133	2	FITTING, Grease
11	161167	2	STUD
12	161166	1	BOLT, Shoulder
13	161259	1	PLATE
14	161176	1	SPRING
15	118252	2	WASHER
16	161260	1	RING, Retaining
17	161151	2	WHEEL & TIRE ASSY.
18	917642	2	WASHER, Plain, 5/16
19	930651	2	LOCKNUT, Hex, 3/8-16
20	927428	10	SCREW, Taptite, 1/4-20 x 3/8
21	918196	1	CLIP, Pin
22	118053	1	PIN
23	161261	1	CASE ASSY., Gear
24	158524	1	GASKET
25	158363	2	BUSHING
26	161221	1	AXLE & GEAR ASSY.
27	158542	1	GEAR & BEARING ASSY., Lower
28	158561	4	COLLAR, Thrust
29	918111	4	PIN, Roll, 1/8 x 1
30	918458	3	PIN, Cotter, 3/16 x 1
31	918447	3	PIN, Cotter, 3/32 x 3/4
32	161228	1	LINK, Shift, Lower
33	158541	2	SHAFT, Intermediate
34	8051038	1	BEARING, Bronze
35	106944	1	SHAFT ASSY., Gear
36	158570	1	GEAR & BEARING ASSY., High
37	161237	1	LINK, Shift, High
38	158544	1	BEARING
39	158562	2	COLLAR, Thrust
40	158557	1	PINION, Reverse
41	916168	2	PIN, Roll, 1/8 x 3/4
42	921450	1	PIN, Roll, 5/32 x 1
43	161227	1	LINK, Shift, Reverse
44	158534	1	SHAFT, Reverse

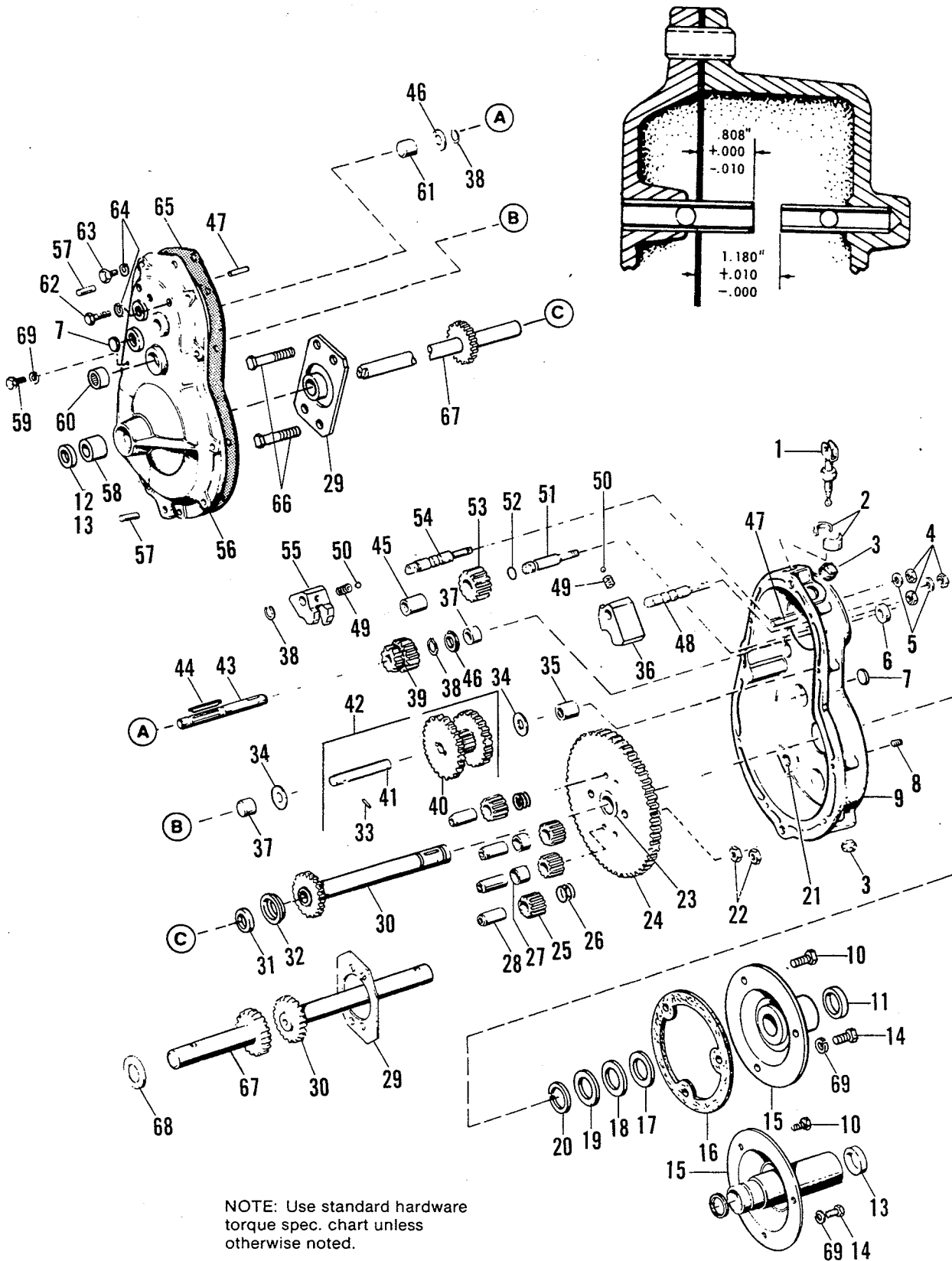


NOTE: Use standard hardware torque spec. chart unless otherwise noted.



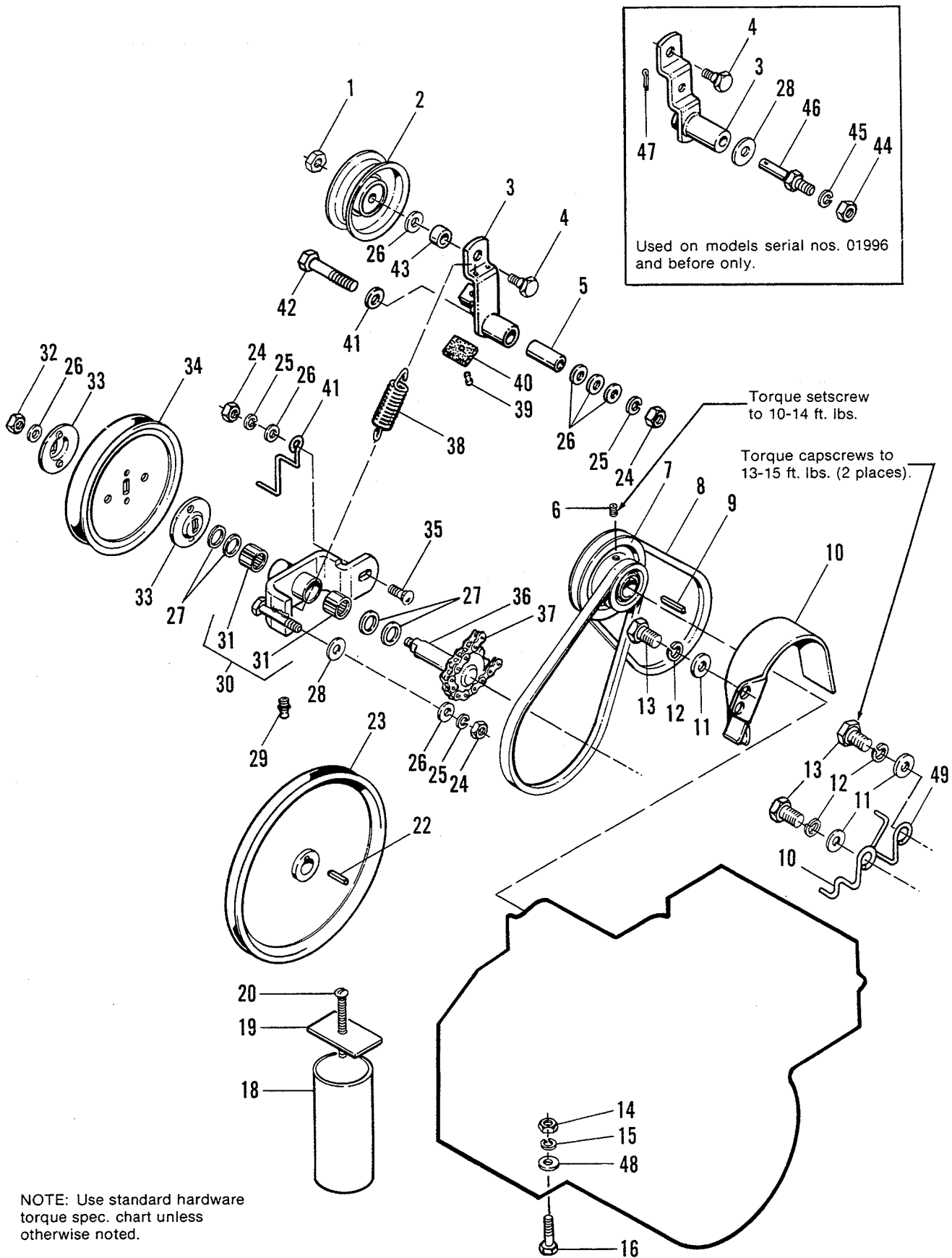
Ref. No.	Part No.	Qty.	Description
1	156031	1	ROD ASSY., Shift
2	101042	2	BUSHING, Half
3	930676	2	PLUG, Pipe
4	918213	3	NUT, Hex, Full, 7/16-14
5	917378	3	WASHER, Plain, 3/8
6	156084	1	SEAL, Oil
7	163050	2	PLUG, Extension (990560 Only)
8	929277	1	SETSCREW, 3/8-16 x 3/8
9	161141	1	CASE ASSY., Gear (Includes Ref. Nos. 1, 2, 35, 37, 47, & 57)
	157017	1	CASE ASSY., Gear (990372 Only) (Includes Ref. Nos. 1, 2, 35, 37, 47, & 57)
10	161130	1	SCREW, Special
11	163019	1	SEAL, Oil (990560 Only)
12	163012	1	SEAL, Oil (990560 Only)
13	118118	2	SEAL, Oil (990372 & 990430 Only)
14	919357	2	CAPSCREW, Hex Hd., 3/8-16 x 7/8
15	163056	1	SUPPORT ASSY., Plate
	103170	1	SUPPORT ASSY., Plate (990372 & 990430 Only)
16	163009	1	GASKET (990560 Only)
17	163014	1	WASHER (990560 Only)
18	163088	1	WASHER (990560 Only)
19	163015	1	WASHER (990560 Only)
20	163017	1	RING, Retaining (990560 Only)
21	901653	1	PLUG, Pipe, 3/8
22	930651	4	LOCKNUT, Hex, 3/8-16
23	158365	1	BUSHING (990560 Only)
24	163013	1	GEAR ASSY., Drive
	1663715	1	GEAR ASSY., Drive (990372 & 990430 Only)
25	158579	4	PINION, Diff.
26	162085	2	SPRING
27	121084	2	SPACER, Diff.
28	121083	4	SPACER, Pinion Diff.
29	163054	1	PLATE ASSY., Diff.
	156002	1	PLATE, Diff. (990372 & 990430 Only)
30	161217	1	SHAFT ASSY., Axle, R.H.
	161002	1	SHAFT ASSY., R.H. (990372 & 990430 Only)
31	161212	1	SEAL, Oil (990560 Only)
32	158358	1	CUP, Thrust (990560 Only)
33	156292	1	PIN, Dowel
34	156089	2	WASHER
35	156073	1	BEARING, Roller
36	156080	1	FORK, Shift, I & II
37	156072	2	BEARING, Roller

**NOTE: Parts Ref. No. 38 thru 69 continued on the following page.**



Ref. No.	Part No.	Qty.	Description
38	8061048	3	RING, Retaining
39	156087	1	PINION ASSY., Hi-Lo
40	165009	1	GEAR ASSY., Cluster
	156290	1	GEAR ASSY., Cluster
41	161072	1	SHAFT, Cluster
42	161071	1	SHAFT & GEAR ASSY. (990560 Only)
43	156083	1	SHAFT, Pulley
44	156086	1	KEY
45	156082	1	BEARING, Roller
46	156085	2	WASHER
47	156308	1	PIN SUB ASSY., Roll
48	171372	1	SHAFT, Shift, Hi-Lo
49	154323	2	SPRING
50	154262	2	BALL, Shift Lock
51	165005	1	SHAFT, Reverse Pinion (990560 Only)
	156081	1	SHAFT, Reverse Pinion
52	165006	1	O-RING (990560 Only)
53	1650625	1	PINION, Reverse
54	156077	1	SHAFT, Shift, Reverse
55	171363	1	FORK, Shift, Reverse
56	161239	1	COVER ASSY., Gear Case (Includes Ref. No. 35, 37, 47, 60 & 61)
	161142	1	COVER ASSY., Gear Case (990430 Only) (Includes Ref. No. 60, 61, 66)
	161036	1	COVER ASSY., Gear Case (990372 Only) (Includes Ref. No. 35, 60 & 61)
57	918113	2	PIN, Roll, 3/8 x 1
58	1657807	2	BUSHING (990560 Only)
	105195	4	BEARING, Roller (990372 & 990430 Only)
59	919321	1	CAPSCREW, Hex Hd., 7/16-14 x 3/4 (990560 Only)
	922586	1	CAPSCREW, Hex Hd., 3/8-16 x 5/8 (990372 & 990430 Only)
60	156073	1	BEARING, Roller
61	156102	1	BEARING, Roller
62	921221	1	CAPSCREW, Hex Hd., 5/16-18 x 1-1/2 (990560 Only)
	161096	1	BOLT, Special (990372 Only)
63	921977	9	CAPSCREW, Hex Hd., 5/16-18 x 1-1/4
64	917356	10	LOCKWASHER, 5/16
65	156103	1	GASKET
66	919363	4	CAPSCREW, Hex Hd., 3/8-16 x 2-1/2
67	161206	1	SHAFT ASSY., Axle, L.H. (990560 Only)
	161024	1	SHAFT ASSY., Axle, L.H. (990372 & 990430 Only)
68	105083	1	WASHER (990372 & 990430 Only)
69	916965	2	LOCKWASHER, 3/8

**NOTE: Parts Ref. No. 1-37 found on preceding page.**

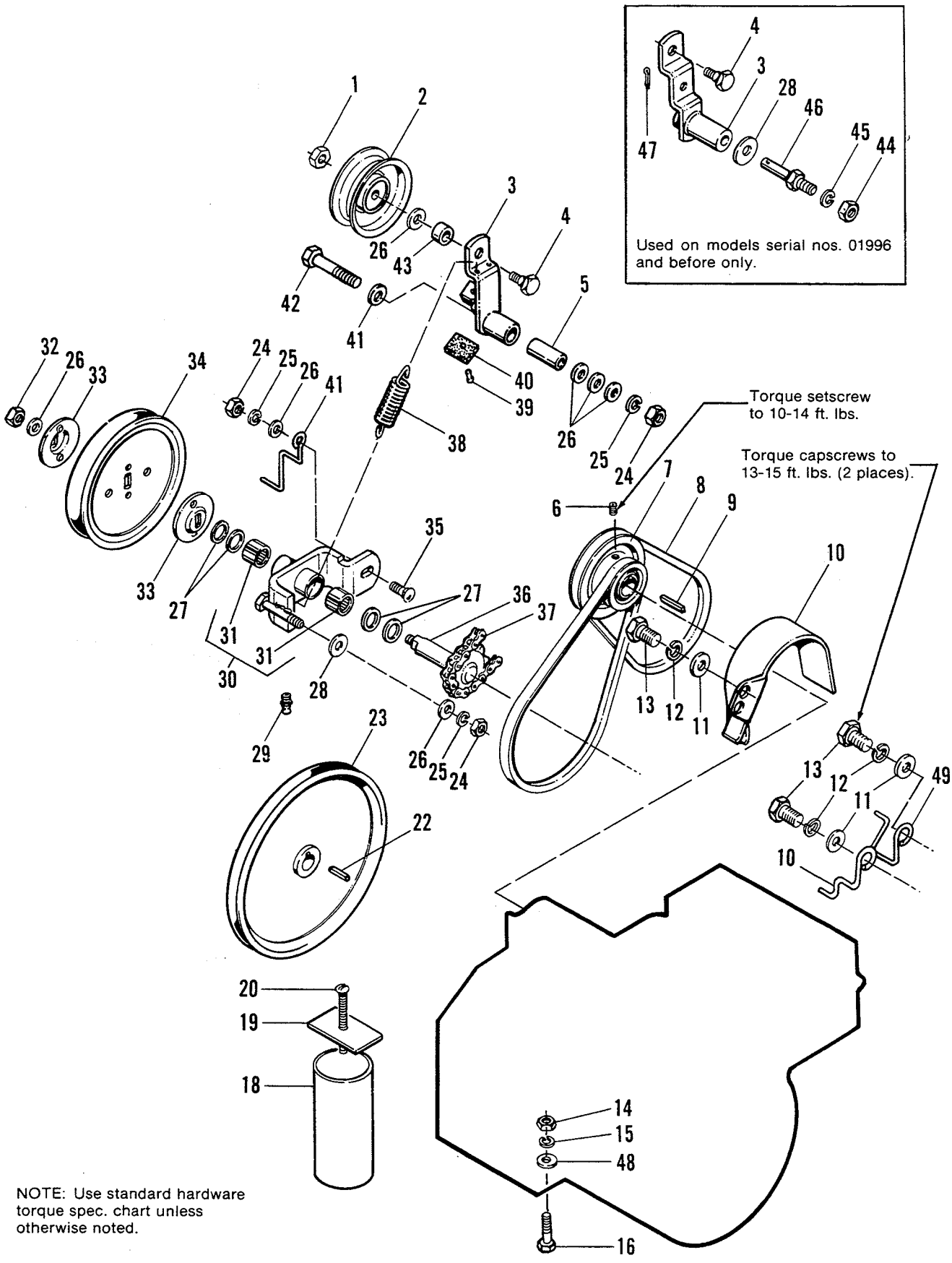


NOTE: Use standard hardware torque spec. chart unless otherwise noted.

Ref. No.	Part No.	Qty.	Description
1	930645	1	NUT, Flange, Whizlock, 3/8-16
2	1657827	1	PULLEY, Idler
*3	1685069	1	IDLER LEVER & BRAKE KIT
4	920415	1	CAPSCREW, Hex Hd., 3/8-16 x 1-1/4
5	8061058	1	SPACER
6	930544	1	SETSCREW, 5/16-18 x 3/8
7	106939	1	PULLEY, Engine
	173941	1	PULLEY, Engine (1690255 Only)
8	161098	1	V-BELT, Auger Drive (1690209 Only)
	1664457	1	V-BELT, Auger Drive (1690379, 1690380 & 1690442 Only)
	108300	1	V-BELT, Auger Drive (1690255 Only)
9	9221042	1	KEY
	159129	1	KEY (1690255 Only)
10	171063	1	STOP, Belt
11	916960	1	WASHER, Plain, 1/2 (1690209 & 1690255 Only)
	917642	2	WASHER, Plain, 5/16 (1690379, 1690380 & 1690442 Only)
12	916966	1	LOCKWASHER, 1/2 (1690209 & 1690255 Only)
13	924086	1	CAPSCREW, Hex Hd., 1/2-20 x 3/4 (1690209 & 1690255 Only)
	921515	2	CAPSCREW, Hex Hd., 5/16-24 x 3/4 (1690379, 1690380 & 1690442 Only)
14	917372	4	NUT, Hex, Full, 5/16-18
15	917356	4	LOCKWASHER, 5/16
16	921221	4	CAPSCREW, Hex Hd., 5/16-18 x 1-1/2
	922127	4	CAPSCREW, Hex Hd., 5/16-18 x 1-3/4
	921332	4	CAPSCREW, Hex Hd., 5/16-18 x 3/4 (1690380 Only)
17		1	ENGINE, 5, 7 & 8 H.P.
18	171688	1	TUBE (1690209 Only)
	171441	1	TUBE (1690255 Only)
19	171684	1	CLAMP (1690209 & 1690255 Only)
20	930529	1	SCREW, Machine, #10-32 x 3 (1690209 & 1690255 Only)
21	118488	1	V-BELT, Transmission Drive (1690209 Only)
	118494	1	V-BELT, Transmission Drive (1690379, 1690380 & 1690442 Only)
	170771	1	V-BELT, Transmission Drive (1690255 Only)
22	905850	1	KEY
23	176213	1	PULLEY, Transmission
24	916950	3	NUT, Hex, Full, 3/8-16
25	916965	3	LOCKWASHER, 3/8

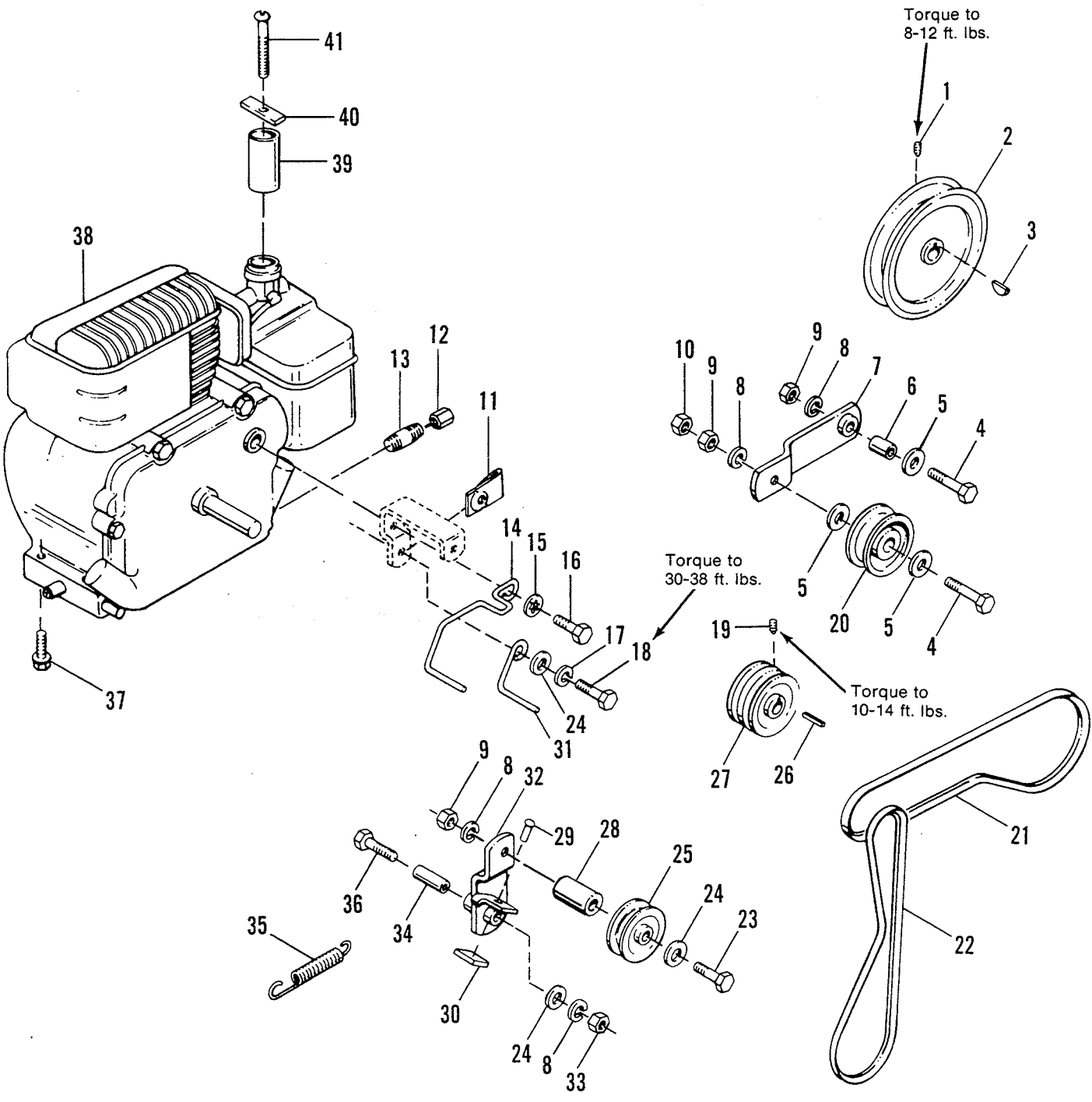
**NOTE: Parts Ref. No. 27 thru 51 continued on following page.**

\*Ref. No. 3 includes Part Nos. 1657861, 8061058, 921972, 917642, 916965 & 916950.



Ref. No.	Part No.	Qty.	Description
27	917642	8	WASHER, Plain, 5/16
28	1666295	1	SPACER, (1690379, 1690380 & 1690442 Only)
	8051056	4	SPACER
29	917378	2	WASHER, Plain, 3/8 (1690209 & 1690255 Only)
30	914687	1	FITTING, Grease (1690209 & 1690255 Only)
	921133	1	FITTING, Grease (1690379, 1690380 & 1690442 Only)
31	1654566	1	HOUSING ASSY. (1690209 & 1690255 Only)
	1664139	1	HOUSING ASSY. (1690379, 1690380 & 1690442 Only)
32	156072	2	BEARING, Roller
33	928731	1	LOCKNUT, Jam, 3/8-16 (1690209 & 1690255 Only)
34	158378	2	WASHER, Special
35	158377	1	PULLEY (Use after 01688) (1690255 Only)
	173940	1	PULLEY (Use before 01689) (1690255 Only)
36	922109	1	BOLT, Carriage, 3/8-16 x 1-1/4
37	106925	1	SHAFT ASSY.
38	170769	1	CHAIN
39	121037	1	SPRING
40	921429	1	RIVET, #7 x 3/8 (Brass)
41	1654500	1	PAD, Brake
42	1656938	1	STOP, Belt
43	921972	1	CAPSCREW, Hex hd., 3/8-16 x 2-1/2
44	174870	1	SPACER,
45	918213	1	NUT, Hex, Full, 7/16-14 (1690209 & 1690255 Only)
46	918199	1	LOCKWASHER, 7/16 (1690209 & 1690255 Only)
47	106928	1	STUD (1690209 & 1690255 Only)
48	918451	1	PIN, Cotter, 1/8 x 3/4 (1690209 & 1690255 Only)
49	919381	2	WASHER, Plain, Special, 5/16 (1690379, 1690380 & 1690442 Only)
50	1664500	1	STOP, Belt (1690379, 1690380 & 1690442 Only)
51	1664499	1	STOP, Belt (1690379, 1690380 & 1690442 Only)

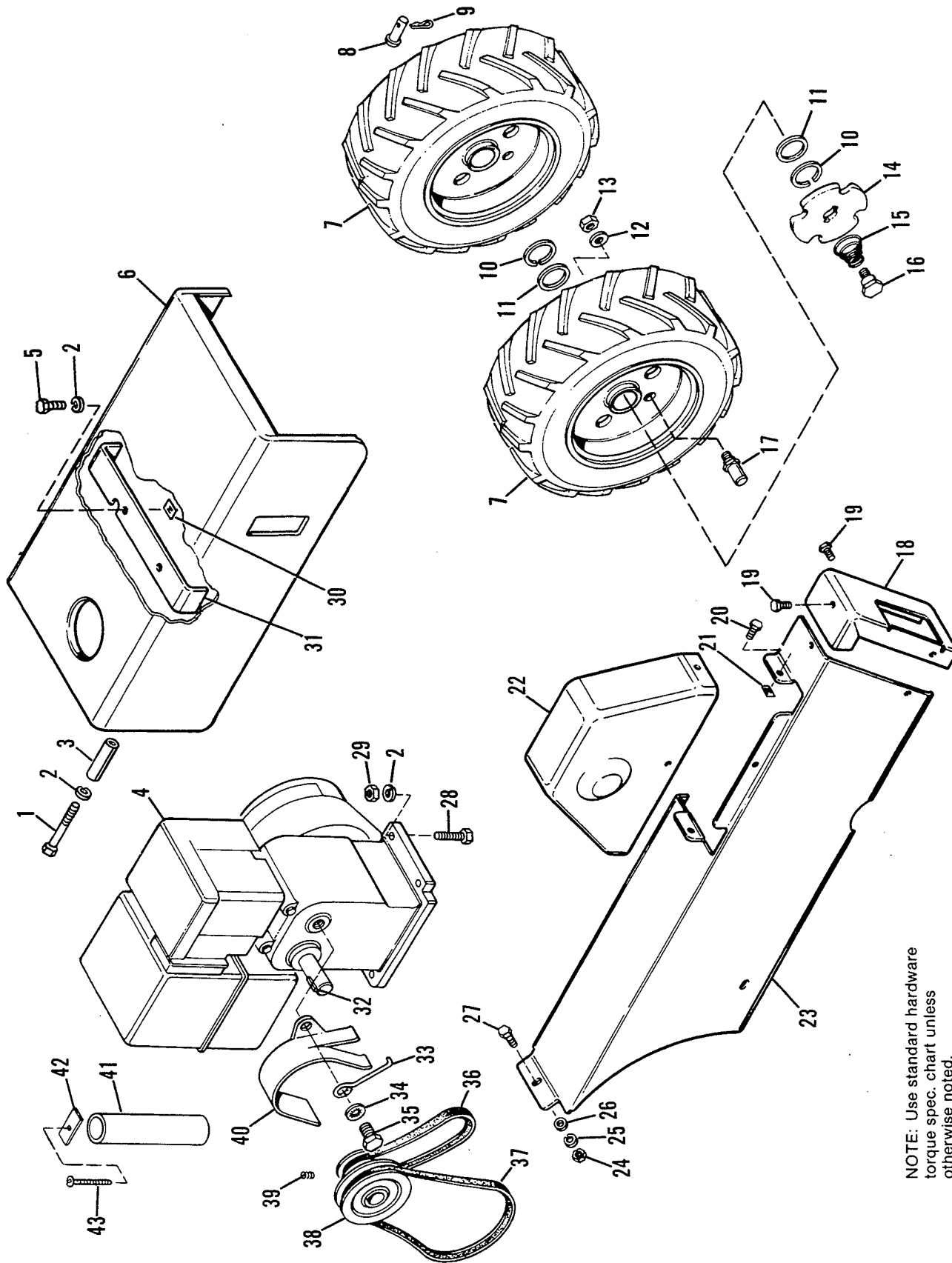
NOTE: Parts Ref. No. 1 thru 26 found on preceding page.



NOTE: Use standard hardware torque spec. chart unless otherwise noted.

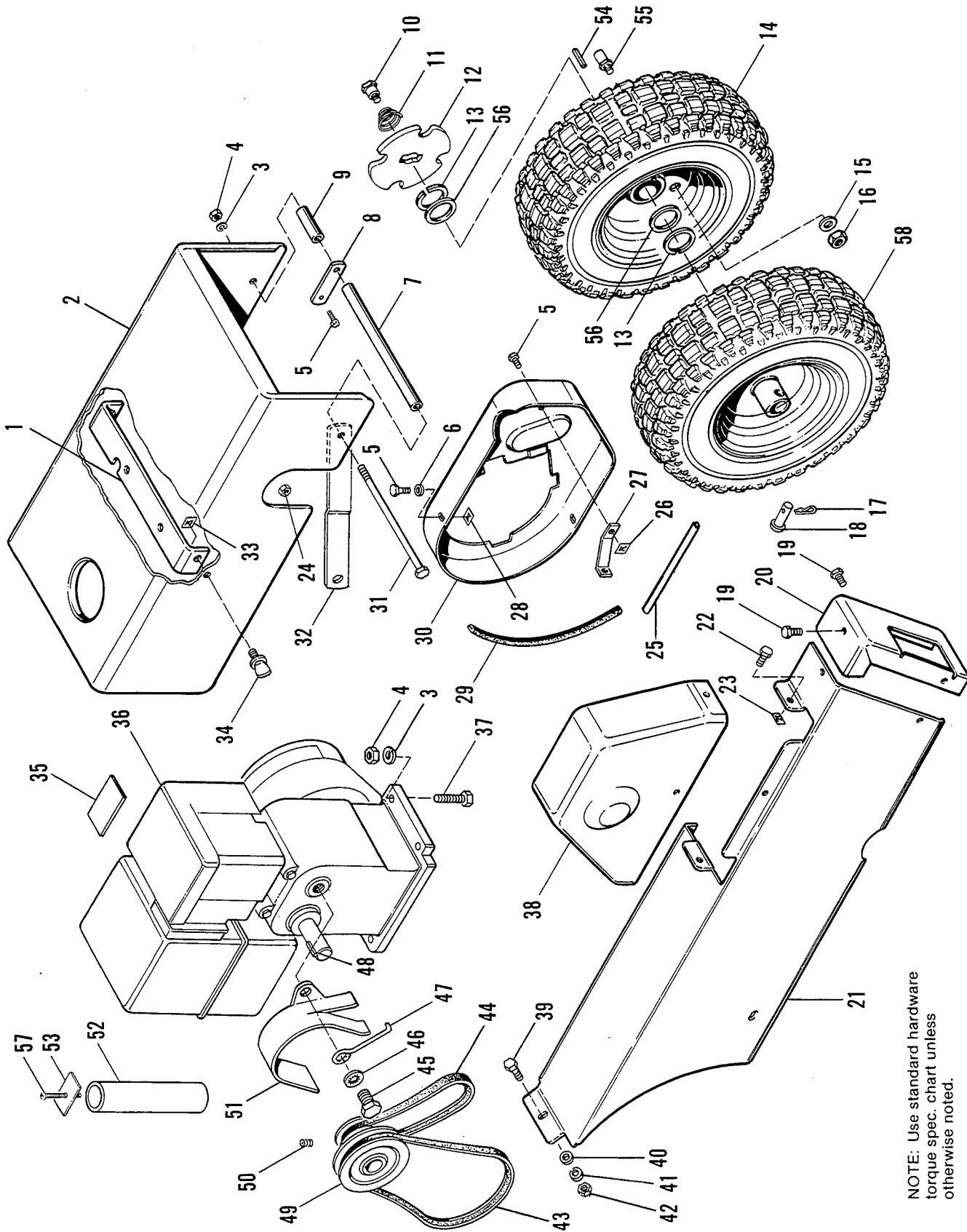


Ref. No.	Part No.	Qty.	Description
1	928691	1	SETSCREW, 5/16-18 x 5/16
2	106214	1	PULLEY
3	905123	1	KEY, Woodruff, #9, 3/16 x 3/4
4	921971	2	CAPSCREW, Hex Hd., 3/8-16 x 2-3/4
5	917378	3	WASHER, Plain, 3/8
6	8171073	1	RACE, Inner Bearing
7	106204	1	LEVER ASSY., Idler
8	916965	4	LOCKWASHER, 3/8
9	916950	3	NUT, Hex, Full, 3/8-16
10	930651	1	LOCKNUT, Hex, 3/8-16
11	930655	1	NUT, Retainer, 5/16-18
12	901751	1	CAP, Pipe (1690305 Only)
13	106885	1	NIPPLE, Pipe (1690305 Only)
14	106624	1	STOP, Belt
15	909589	1	LOCKWASHER, Int., 1/2
16	929528	1	CAPSCREW, Hex Hd., 1/2-20 x 1
17	917356	1	LOCKWASHER, 5/16
18	923325	1	CAPSCREW, Hex Hd., 5/16-18 x 7/8
19	930544	1	SETSCREW, 5/16-18 x 3/8
20	154534	1	PULLEY, Idler
21	8021077	1	V-Belt (Transmission Drive)
22	1657806	1	V-Belt (Auger Drive)
23	921969	1	CAPSCREW, Hex Hd., 3/8-16 x 1-1/2
24	917642	3	WASHER, Plain, 5/16
25	1657827	1	PULLEY, Idler
26	8221042	1	KEY
27	1657838	1	PULLEY, Engine
28	174870	1	SPACER
29	921429	1	RIVET, #7 x 3/8
30	1654500	1	PAD, Brake
31	172845	1	STOP, Belt
32	1657704	1	LEVER & BRAKE ASSY.
33	917421	1	LOCKNUT, Jam, 3/8-16
34	8061058	1	SPACER
35	121037	1	SPRING
36	922130	1	CAPSCREW, Hex Hd., 3/8-16 x 2-1/4
37	928635	4	SCREW, Hex, Washer Hd., Taptite, 3/8-16 x 1-1/4
38		1	ENGINE, 4 H.P.
39	171688	1	TUBE (1690305 Only)
40	171684	1	CLAMP (1690305 Only)
41	930529	1	SCREW, Machine, #10-32 x 3



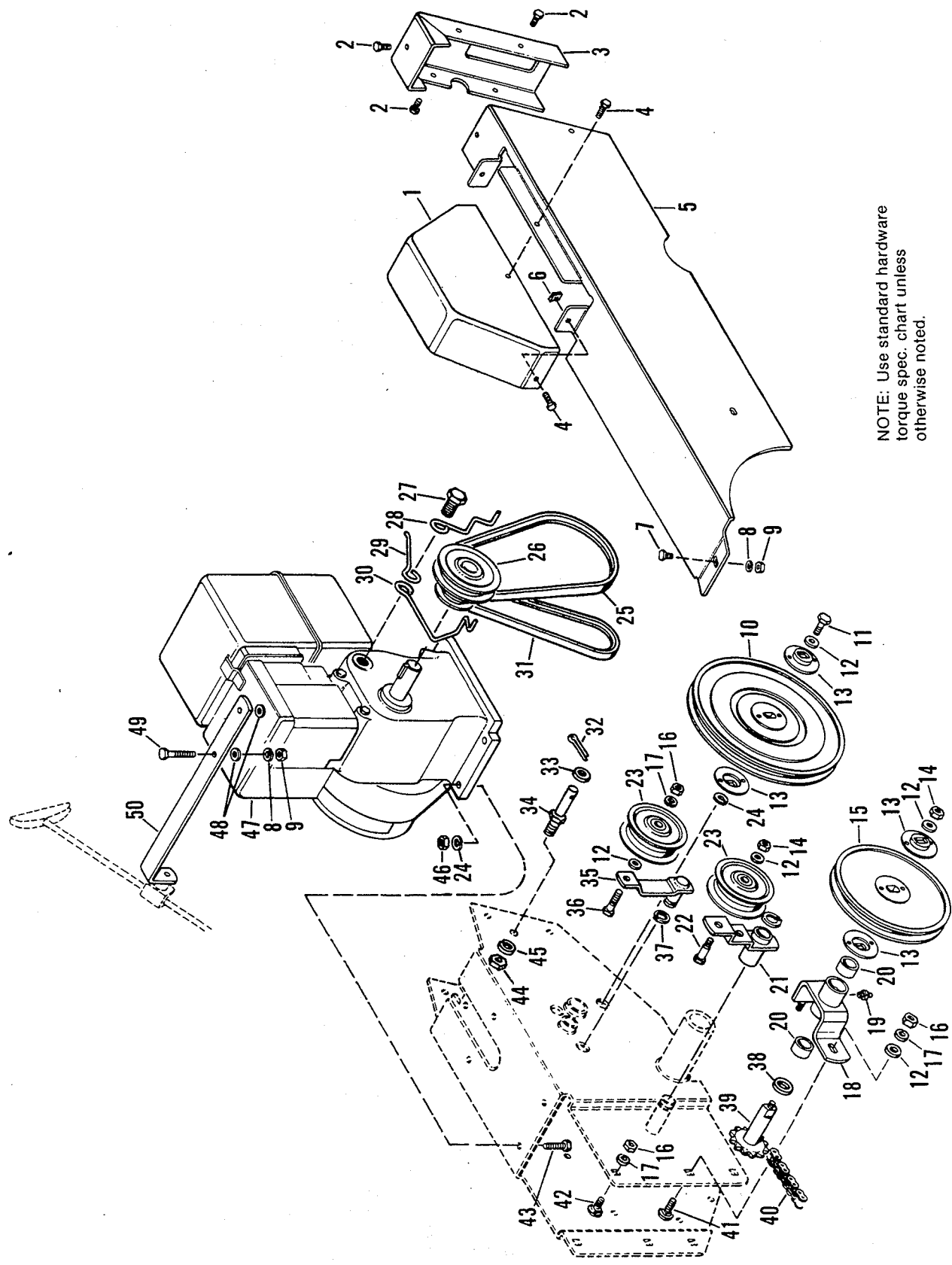
NOTE: Use standard hardware torque spec. chart unless otherwise noted.

Ref. No.	Part No.	Qty.	Description
1	926106	1	CAPSCREW, Hex Hd., 5/16-18 x 3-1/4
2	917356	7	LOCKWASHER, 5/16
3	171744	1	SPACER
4		1	ENGINE, 5 H.P.
5	921332	2	CAPSCREW, Hex Hd., 5/16-18 x 3/4
6	171267	1	HOOD ASSY.
7	161151	2	WHEEL & TIRE ASSY.
8	118053	1	PIN
9	918196	1	PIN, Clip
10	161260	2	RING, Retaining
11	118252	2	WASHER, Special
12	917642	2	WASHER, Plain, 5/16
13	930651	2	LOCKNUT, Hex, 3/8-16
14	161259	1	PLATE
15	161176	1	SPRING
16	161166	1	BOLT, Shoulder
17	161167	2	STUD
18	161258	1	SUPPORT, Belt Cover
19	927428	5	SCREW, Taptite, 1/4-20 x 3/8
20	919339	3	SCREW, Self Tapping, 1/4-20 x 5/8
21	928703	3	NUT, Speed
22	170756	1	COVER, Top Belt
23	170755	1	COVER, Lower Belt
24	916622	1	NUT, Hex, Full, 1/4-20
25	916964	1	LOCKWASHER, 1/4
26	917377	1	WASHER, Plain, 1/4
27	921958	1	CAPSCREW, Hex Hd., 1/4-20 x 1/2
28	922127	4	CAPSCREW, Hex Hd., 5/16-18 x 1-1/2
29	917372	4	NUT, Hex, Full, 5/16-18
30	928701	2	NUT, Retainer, 5/16-18
31	106533	1	BRACKET
32	8221042	1	KEY
33	161271	1	ROD, Guide
34	909589	1	LOCKWASHER, Int., 1/2
35	921370	1	CAPSCREW, Hex Hd., 1/2-20 x 1
36	118488	1	V-BELT (Transmission Drive)
37	161098	1	V-BELT (Rotor Drive)
38	106939	1	PULLEY, Engine
39	930544	1	SETSCREW, 5/16-18 x 3/8
40	171063	1	STOP, Belt
41	171688	1	TUBE
42	171684	1	CLAMP
43	930529	1	SCREW, Machine, #10-32 x 3



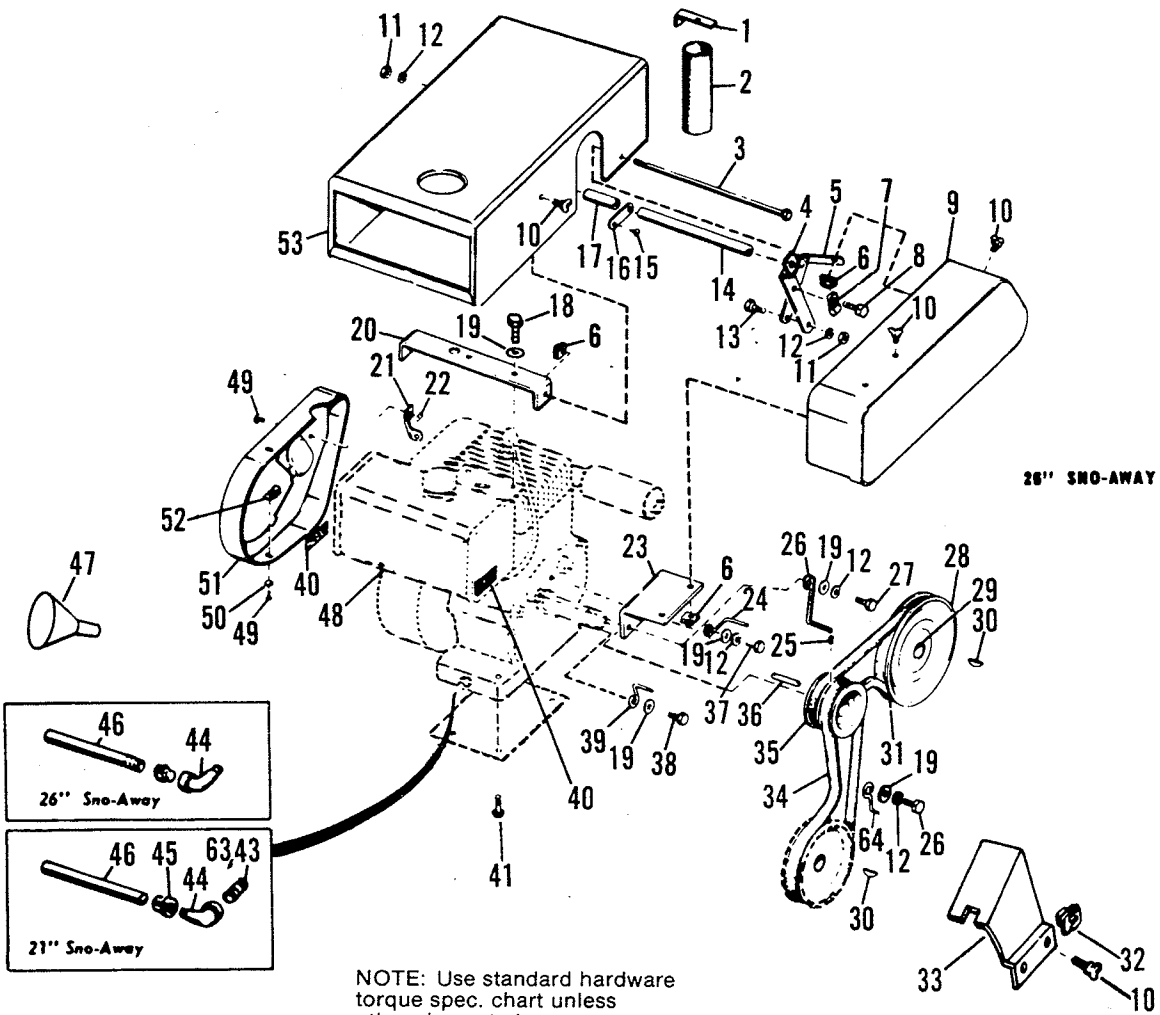
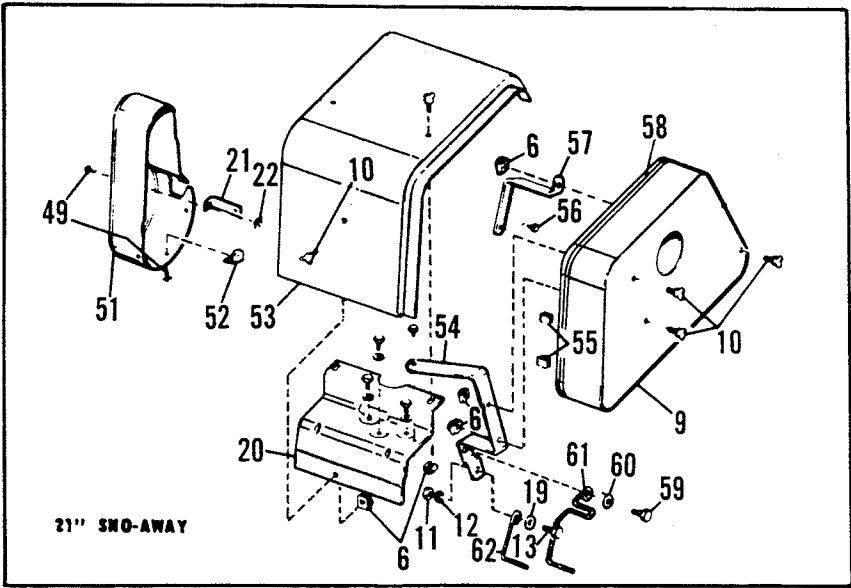
NOTE: Use standard hardware torque spec. chart unless otherwise noted.

Ref. No.	Part No.	Qty.	Description
1	171285	1	SUPPORT, Hood
	106519	1	SUPPORT, Hood (990656 Only)
2	171298	1	HOOD ASSY.
3	917356	5	LOCKWASHER, 5/16
4	917372	5	NUT, Hex, Full, 5/16-18
5	922122	4	SCREW, Self Tapping, #10 x 1/2
6	916955	2	WASHER, Plain, 3/16
7	106576	1	SPACER, Hood, L.H.
8	106525	1	BRACE
9	106577	1	SPACER, Hood, R.H.
10	161166	1	BOLT, Shoulder
11	161176	1	SPRING
12	161259	1	PLATE
13	927744	2	RING, Retaining
	161260	2	RING, Retaining (990656 & 990869 Only)
14	170781	1	WHEEL & TIRE ASSY., R.H.
	1656879	2	WHEEL & TIRE ASSY. (990656 Only)
	161151	2	WHEEL & TIRE ASSY. (990869 Only)
15	917642	2	WASHER, Plain, 5/16
16	930651	2	LOCKNUT, Hex, 3/8-16
17	918196	1	PIN, Clip
18	118053	1	PIN
19	927428	5	SCREW, Taptite, 1/4-20 x 3/8
20	161258	1	SUPPORT, Belt Cover
21	170755	1	COVER, Lower Belt
22	919339	3	SCREW, Self Tapping, 1/4-20 x 5/8
23	928703	3	NUT, Speed
24	932851	2	LOCKNUT, Conduit, 3/4
25	173012	1	SEAL, Cover
26	928700	1	NUT, Speed
27	106586	1	BRACKET, Cover
28	928702	2	NUT, Speed
29	106602	1	SEAL, Cover
30	106585	1	COVER
31	106578	1	BOLT, Hood
32	171294	1	BRACE, Hood
33	928701	2	NUT, Retainer, 5/16-18
34	928693	2	SCREW, Thumb, 5/16-18 x 3/4
35	106582	2	GASKET, Felt
36		1	ENGINE, 5, 6 & 7 H.P.
37	922127	4	CAPSCREW, Hex.Hd., 5/16-18 x 1-3/4
38	170756	1	COVER, Top Belt
39	921958	1	CAPSCREW, Hex Hd., 1/4-20 x 1/2
40	917377	1	WASHER, Plain, 1/4
41	916964	1	LOCKWASHER, 1/4
42	916622	1	NUT, Hex, Full, 1/4-20
43	108300	1	V-BELT (Auger Drive)
44	170771	1	V-BELT (Transmission Drive)
45	921370	1	CAPSCREW, Hex Hd., 1/2-20 x 1
46	909589	1	LOCKWASHER, Int., 1/2
47	161271	1	GUIDE, Rod
48	159129	1	KEY
49	173941	1	PULLEY, Engine
50	930544	1	SETSCREW, 5/16-18 x 3/8
51	171063	1	STOP, Belt
52	171441	1	TUBE
53	171684	1	CLAMP, Tube
54	8061081	1	KEY (990643 & 990796 Only)
55	161204	1	STUD (990643 & 990796 Only)
56	118252	2	WASHER, Special (990656, 990869 & 990870 Only)
57	930529	1	SCREW, Machine, #10-32 x 3
58	170778	1	WHEEL & TIRE ASSY., L.H.



NOTE: Use standard hardware torque spec. chart unless otherwise noted.

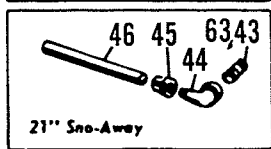
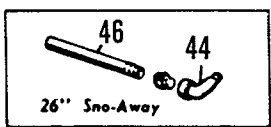
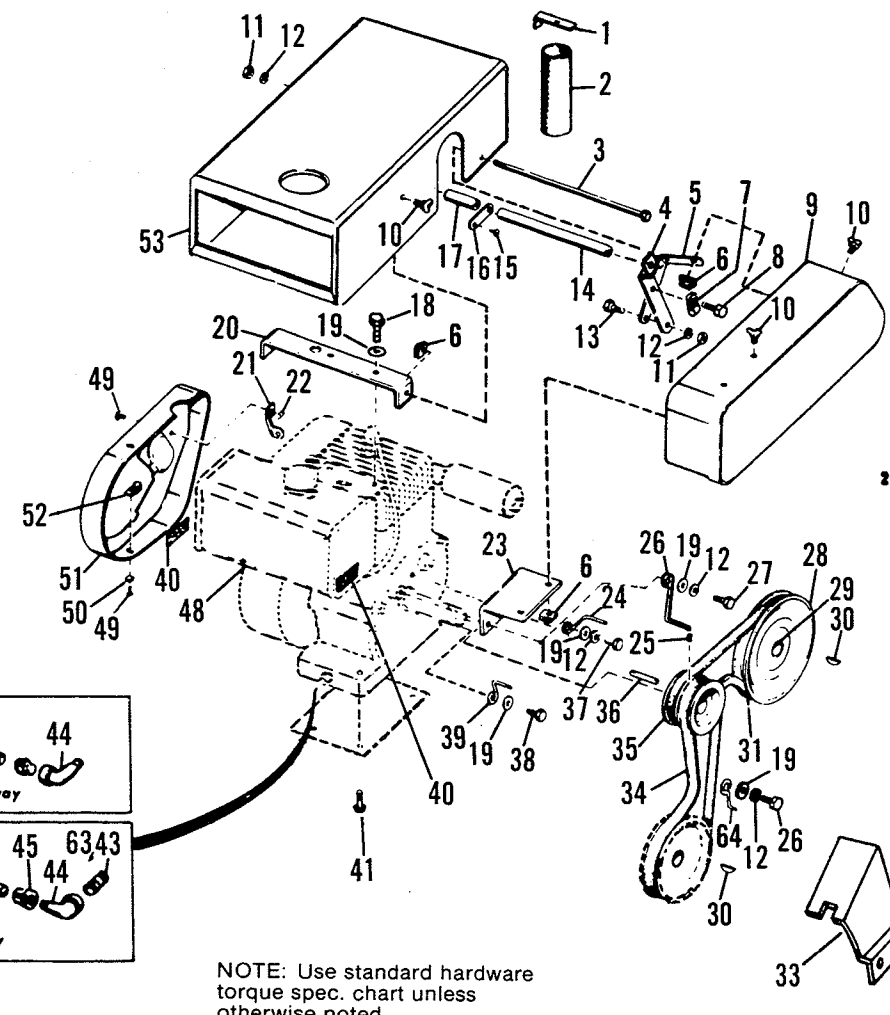
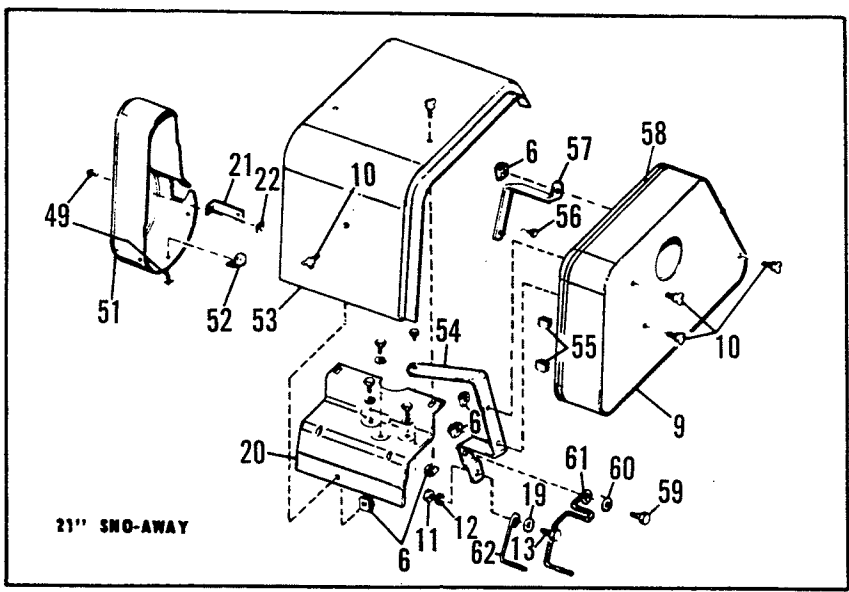
Ref. No.	Part No.	Qty.	Description
1	161256	1	COVER, Top, Belt
2	927428	5	SCREW, Ind. Washer Hd., Taptite, 1/4-20 x 3/8
3	161258	1	SUPPORT, Belt Cover
4	919339	3	SCREW, Self Tapping, 1/4-20 x 5/8
5	161257	1	COVER, Lower
6	928703	3	NUT, Retainer
7	921958	1	CAPSCREW, Hex Hd., 1/4-20 x 1/2
8	916964	3	LOCKWASHER, 1/4
9	916622	3	NUT, Hex, Full, 1/4-20
10	161245	1	PULLEY, Transmission
11	923325	1	CAPSCREW, Hex Hd., 5/16-18 x 7/8
12	917642	5	WASHER, Plain, 5/16
13	158378	4	WASHER, Special
14	928731	2	LOCKNUT, Jam, 3/8-16
15	158377	1	PULLEY
16	916950	3	NUT, Hex, Full, 3/8-16
17	916965	3	LOCKWASHER, 3/8
18	106966	1	HOUSING ASSY., Bearing
19	914687	1	FITTING, Grease
20	156072	2	BEARING
21	106969	1	LEVER ASSY., Idler
22	108497	1	SCREW, Special
23	154534	2	PULLEY, Idler
24	917356	5	LOCKWASHER, 5/16
25	118488	1	V-BELT (Transmission Drive)
26	106939	1	PULLEY, Engine
27	921370	1	CAPSCREW, Hex Hd., 1/2-20 x 1
28	161270	1	STOP, Belt
29	161271	1	STOP, Belt
30	161269	1	STOP, Belt
31	161098	1	V-BELT (Auger Drive)
32	918451	1	PIN, Cotter, 1/8 x 3/4
33	917378	1	WASHER, Plain, 3/8
34	106928	1	STUD
35	106967	1	ARM ASSY., Idler
36	920415	1	CAPSCREW, Hex Hd., 3/8-16 x 1-1/4
37	158399	1	RING, Retaining
38	8051066	1	WASHER
39	106925	1	SHAFT ASSY., Sprocket
40	106897	1	CHAIN (Drive)
41	922249	4	BOLT, Carriage, 3/8-16 x 1
42	922110	2	BOLT, Carriage, 3/8-16 x 3/4
43	921221	4	CAPSCREW, Hex Hd., 5/16-18 x 1-1/2
44	918213	1	NUT, Hex, Full, 7/16-14
45	918199	1	LOCKWASHER, 7/16
46	917372	5	NUT, Hex, Full, 5/16-18
47		1	ENGINE, 5 H.P.
48	917377	2	WASHER, Plain, 1/4
49	919316	2	CAPSCREW, Hex Hd., 1/4-20 x 1-3/4
50	161241	1	SUPPORT, Rod





Ref. No.	Part No.	Qty.	Description
1	106385	1	CLAMP, Tube (990483 & 990559 Only)
2	106581	1	TUBE, Rubber (990483 & 990559 Only)
3	106578	1	BOLT, Hood Spacer (990483 & 990559 Only)
4	106523	1	SUPPORT, Hood, Rear (990483 & 990559 Only)
5	106520	1	BRACE, Belt Guard (990483 & 990559 Only)
6	928701	8	NUT, Retainer, 5/16-18
7	154247	1	CLAMP (990483 & 990559 Only)
8	927428	1	SCREW, Hex, Washer Hd., Taptite, 1/4-20 x 3/8 (990483 & 990559 Only)
9	106579	1	GUARD ASSY., Belt (990483 & 990559 Only)
	106537	1	GUARD ASSY., Belt (990482 & 990558 Only)
10	928693	9	SCREW, Thumb, 5/16-18 x 3/4
11	917372	3	NUT, Hex, Full, 5/16-18 (Qty. 1 used on 990482 & 990558 Only)
12	917356	6	LOCKWASHER, 5/16 (Qty. 1 used on 990482 & 990558 Only)
13	921333	1	CAPSCREW, Hex Hd., 5/16-18 x 1
14	106576	1	SPACER, Hood, L.H. (990483 & 990559 Only)
15	922121	1	SCREW, Rd. Hd., #10-32 x 3/8 (990483 & 990559 Only)
16	106525	1	BRACE (990483 & 990559 Only)
17	106577	1	SPACER, Hood, R.H. (990483 & 990559 Only)
18	925205	1	CAPSCREW, Hex Hd., 5/16-18 x 5/8
19	917642	6	WASHER, Plain, 5/16 (Qty. 1 used on 990482 & 990558 Only)
20	106519	1	SUPPORT, Hood (990483 & 990559 Only)
	106533	1	SUPPORT, Hood (990482 & 990558 Only)
21	106586	1	BRACKET, Cover (990483 & 990559 Only)
	106591	1	BRACKET, Cover (990482 & 990558 Only)
22	928700	1	NUT, Speed
23	106522	1	SUPPORT, Guard (990483 & 990559 Only)
24	106347	1	STOP, Belt (990483 & 990559 Only)
25	930544	1	SETSCREW, 5/16-18 x 3/8
26	8061089	1	STOP, Belt (990483 & 990559 Only)
27	921943	2	CAPSCREW, Hex Hd., 5/16-24 x 3/4 (990483 & 990559 Only)
28	106214	1	PULLEY, Transmission Drive
29	928691	1	SETSCREW, 5/16-18 x 5/16
30	905123	2	KEY, Woodruff
31	8021077	1	V-BELT
32	920470	2	NUT, Retainer, 5/16-18

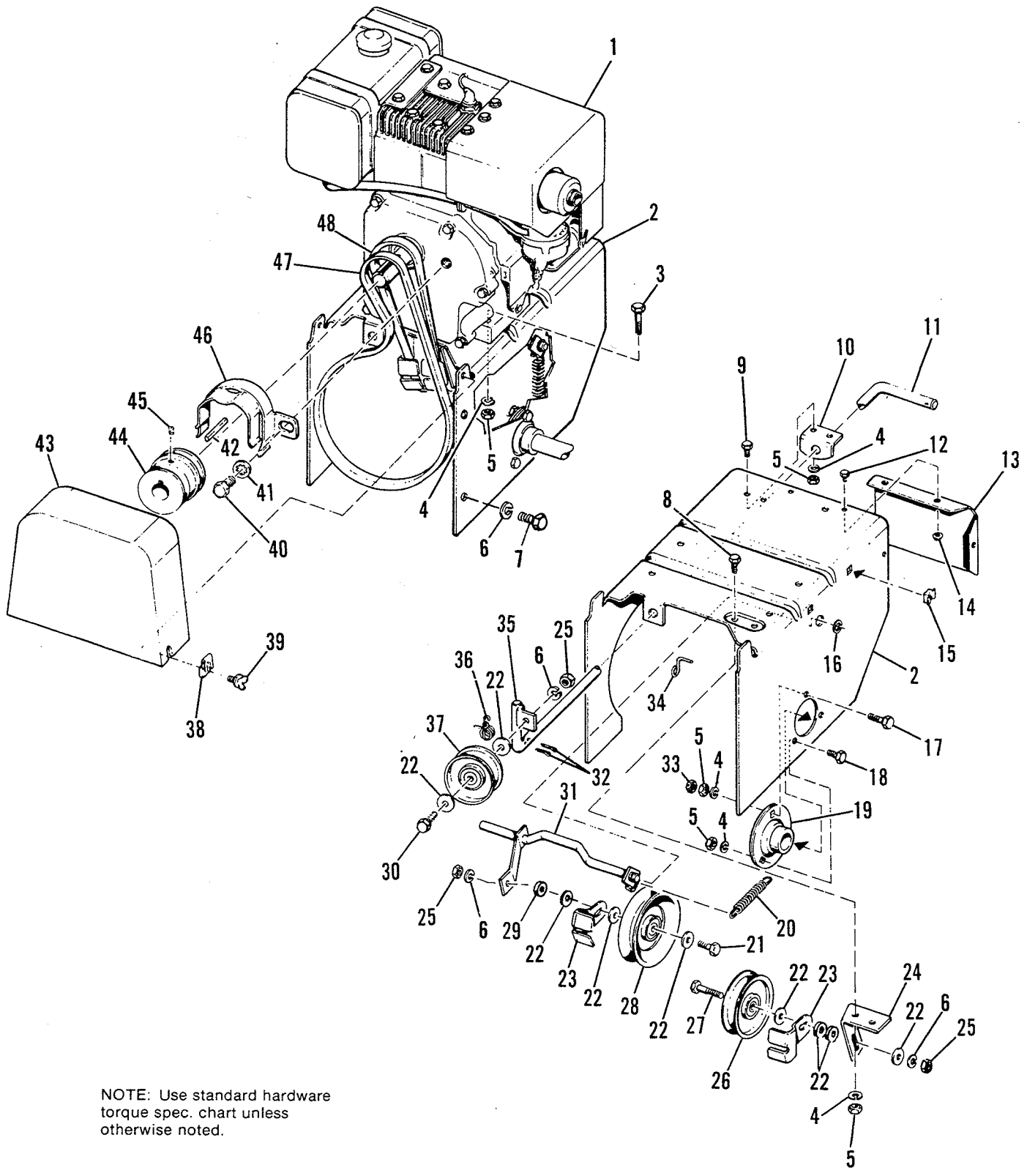
NOTE: Parts Ref. No. 33 thru 64 continued on the following page.



NOTE: Use standard hardware torque spec. chart unless otherwise noted.

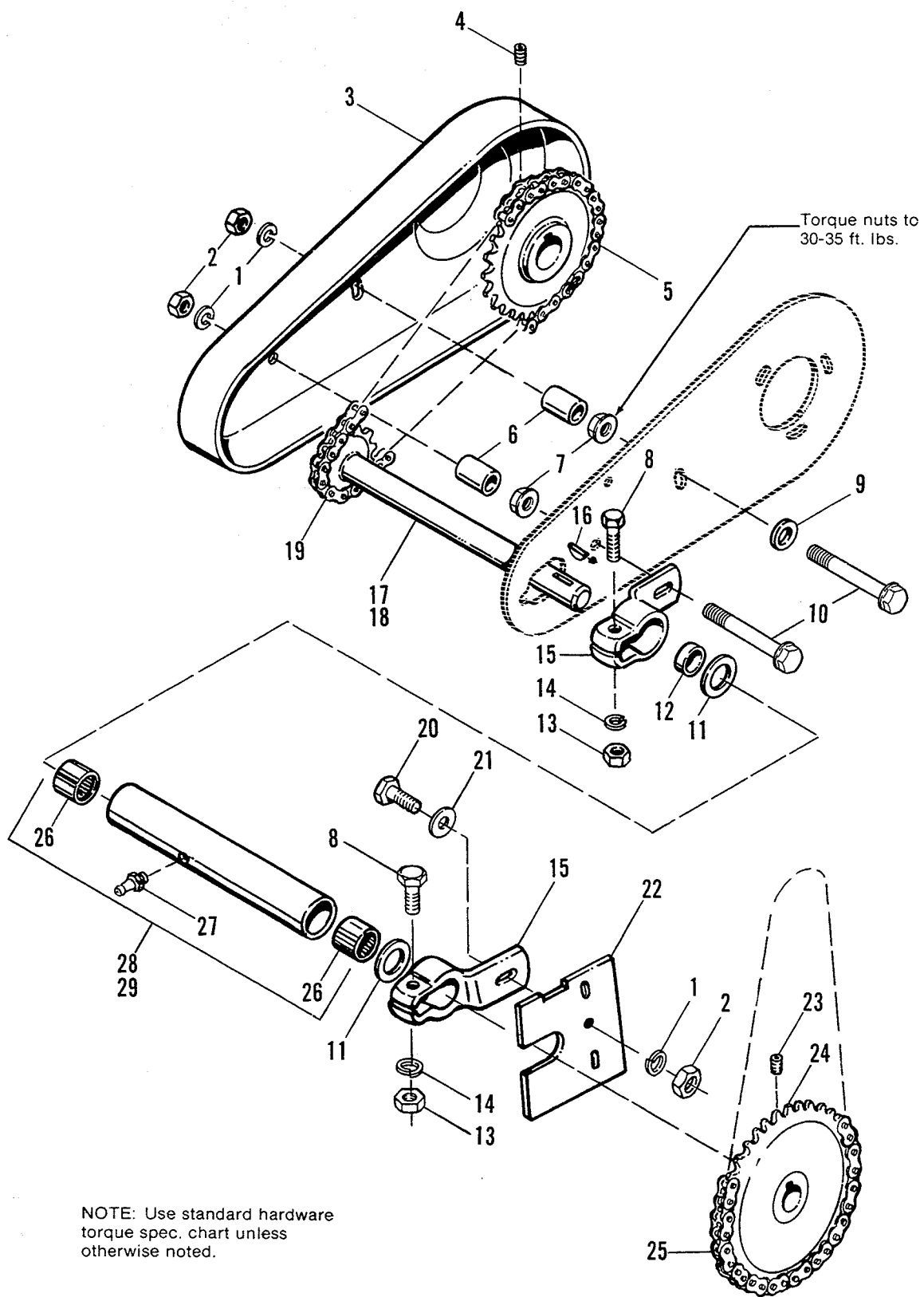
Ref. No.	Part No.	Qty.	Description
33	106865	1	COVER, Belt (990483 & 990559 Only)
	106866	1	COVER, Belt (990482 & 990558 Only)
34	154307	1	V-BELT
35	106882	1	PULLEY, Engine (990483 & 990559 Only)
	106227	1	PULLEY, Engine (990482 & 990558 Only)
36	159129	1	KEY (990483 & 990559 Only)
	8221042	1	KEY (990482 & 990558 Only)
37	921332	1	CAPSCREW, Hex Hd., 5/16-18 x 3/4 (990483 & 990559 Only)
38	922120	1	CAPSCREW, Hex Hd., 5/16-24 x 5/8 (990483 & 990559 Only)
39	106346	1	STOP, Belt (990483 & 990559 Only)
40	106582	1	PAD, Belt (990483 & 990559 Only)
41	928635	2	SCREW, Hex, Washer Hd., Taptite, 3/8-16 x 1-1/4
	927187	1	(990483 & 990559 Only)
43	106685	1	SCREW, Hex, Washer Hd., Taptite, 3/8-16 x 1
44	901723	1	(990482 & 990558 Only)
	901722	1	NIPPLE, Pipe (990482 & 990558 Only)
45	901751	1	ELBOW, Street, 90° (990483 & 990559 Only)
46	154381	1	ELBOW, Street (990482 & 990558 Only)
47	154380	1	CAP, Pipe (990482 & 990558 Only)
48		1	ENGINE, 6 H.P. (990483 & 990559 Only)
		1	ENGINE, 4 H.P. (990482 & 990558 Only)
49	922122	2	SCREW, Self Tapping, #10 x 1/2
50	916955	1	WASHER, Plain, 3/16 (990483 & 990559 Only)
51	106585	1	COVER, Air Cooling (990483 & 990559 Only)
	106590	1	COVER, Air Cooling (990482 & 990558 Only)
52	928702	1	NUT, Retainer
53	106573	1	HOOD ASSY. (990483 & 990559 Only)
	106534	1	HOOD ASSY. (990482 & 990558 Only)
54	106541	1	SUPPORT, Belt Guard (990482 & 990558 Only)
55	106372	2	CLIP, Speed (990482 & 990558 Only)
56	922123	1	SCREW, Hex Hd., Self Tapping, 1/4-20 x 3/8
			(990482 & 990558 Only)
57	106540	1	BRACKET, Belt Guard (990482 & 990558 Only)
58	106547	1	STRIPE, White (990482 & 990558 Only)
59	921370	1	CAPSCREW, Hex Hd., 1/2-20 x 1 (990482 & 990558 Only)
60	909589	1	LOCKWASHER, Int., 1/2 (990482 & 990558 Only)
61	106624	1	STOP, Belt (990482 & 990558 Only)
62	106545	1	STOP, Belt (990482 & 990558 Only)
63	106601	1	NIPPLE, Pipe (990482 Only)
64	8081035	1	STOP, Belt (990483 Only)

**NOTE: Parts Ref. No. 1 thru 32 found on preceding page.**

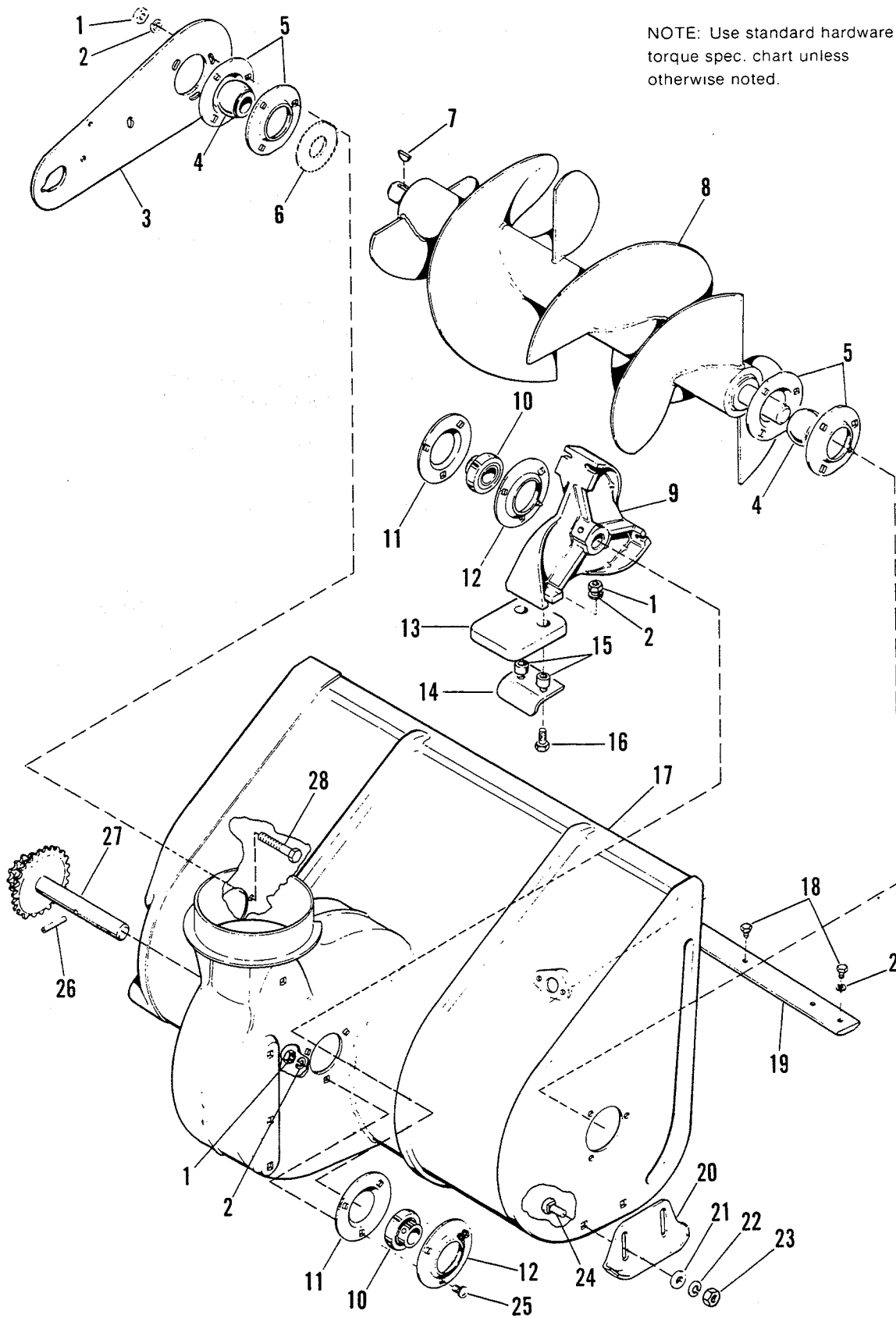


NOTE: Use standard hardware torque spec. chart unless otherwise noted.

Ref. No.	Part No.	Qty.	Description
1		1	ENGINE, 7 H.P.
2	161029	1	ENGINE BASE & FRAME (990372 Only)
	161137	1	ENGINE BASE & FRAME (990430 Only)
	174339	1	ENGINE BASE & FRAME (990560 Only)
3	922127	4	CAPSCREW, Hex Hd., 5/16-18 x 1-3/4
4	917356	11	LOCKWASHER, 5/16
5	917372	11	NUT, Hex, Full, 5/16-18
6	916965	4	LOCKWASHER, 3/8
7	922586	1	CAPSCREW, Hex Hd., 3/8-16 x 5/8
8	921977	2	CAPSCREW, Hex Hd., 5/16-18 x 1-1/4
9	925205	2	CAPSCREW, Hex Hd., 5/16-18 x 5/8
10	161056	1	BRACKET, Angle
11	161034	1	ROD ASSY., Clutch, Auger
12	919339	3	SCREW, Hex Hd., Self Tapping, #14AB x 5/8
13	161081	1	COVER, Black (990372 Only)
	161135	1	COVER, Back (990430 & 990560 Only)
14	928703	3	NUT, Speed
15	920470	4	NUT, Speed, 5/16-18
16	158399	1	RING, Retaining
17	921333	2	CAPSCREW, Hex Hd., 5/16-18 x 1 (990372 & 990430 Only)
	920415	2	CAPSCREW, Hex Hd., 3/8-16 x 1-1/4 (990560 Only)
18	921332	1	CAPSCREW, Hex Hd., 5/16-18 x 3/4 (990372 & 990430 Only)
	921210	1	CAPSCREW, Hex Hd., 3/8-16 x 1 (990560 Only)
19	106532	1	BEARING, Ball (990372 & 990430 Only)
	161238	1	BEARING, Ball (990560 Only)
20	159106	1	SPRING
21	921971	1	CAPSCREW, Hex Hd., 3/8-16 x 1-3/4
22	917642	9	WASHER, Plain, 5/16
23	161113	2	GUARD, Belt
24	161105	1	BRACKET, Idler
25	916950	3	NUT, Hex, Full, 3/8-16
26	106716	1	PULLEY, Idler
27	921969	1	CAPSCREW, Hex Hd., 3/8-16 x 1-1/2
28	101096	1	PULLEY, Idler
29	106392	1	SPACER
30	920415	1	CAPSCREW, Hex Hd., 3/8-16 x 1-1/4
31	161032	1	PIVOT ASSY., Clutch
32	918455	2	PIN, Cotter, 5/32 x 1
33	923362	1	LOCKNUT, Hex, 5/16-18 (990372 & 990430 Only)
	930651	1	LOCKNUT, Hex, 3/8-16 (990560 Only)
34	161080	1	STOP, Belt
35	161034	1	ROD ASSY., Clutch, Auger
36	161058	1	SPRING, Torsion
37	154534	1	PULLEY, Idler
38	928701	1	NUT, Speed, 5/16-18
39	928693	1	SCREW, Thumb, 5/16-18 x 3/4
40	924086	1	CAPSCREW, Hex Hd., 1/2-20 x 3/4
41	909589	1	LOCKWASHER, Int., 1/2
42	159129	1	KEY
43	161017	1	COVER, Engine Pulley
44	161039	1	PULLEY, Engine
45	930544	1	SETSCREW, 5/16-18 x 3/8
46	161057	1	GUARD, Belt
47	161098	1	V-BELT (Auger Drive)
48	106689	1	V-Belt (Transmission Drive)



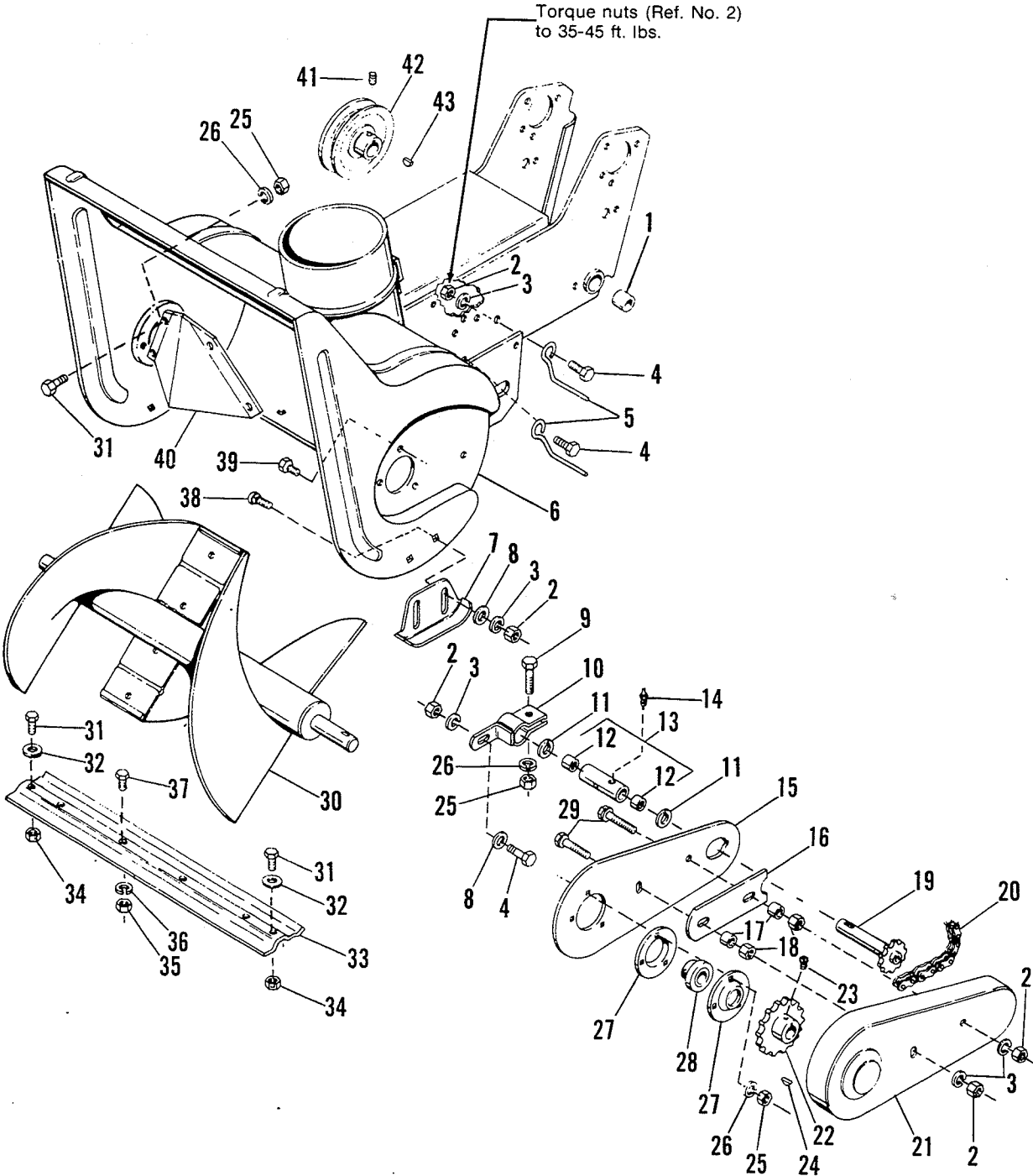
Ref. No.	Part No.	Qty.	Description
1	916965	5	LOCKWASHER, 3/8
2	916950	5	NUT, Hex, full, 3/8-16
3	170865	1	GUARD, Chain
4	928721	1	SETSCREW, 5/16-18 x 1-1/2
5	161291	1	SPROCKET, Rotor
6	121121	2	SPACER
7	928352	2	NUT, Flange, Whiz, 3/8-16
8	922127	2	CAPSCREW, Hex Hd., 5/16-18 x 1-3/4
9	924356	1	WASHER
10	933254	2	CAPSCREW, Flange, Whiz, 3/8-16 x 2-1/4
11	8061012	2	WASHER
12	106992	1	SPACER
13	917372	2	NUT, Hex, Full, 5/16-18
14	917356	2	LOCKWASHER, 5/16
15	176161	2	CLAMP, Housing
16	905123	1	KEY, Woodruff, #9
17	106938	1	SHAFT ASSY. (1690379 & 1690380 Only)
	170763	1	SHAFT ASSY. (1690442 Only)
18	106899	1	CHAIN, Auger Drive
19	921966	3	CAPSCREW, Hex Hd., 3/8-16 x 7/8
20	917378	3	WASHER, Plain, 3/8
21	170753	1	PLATE, Adjust
22	928691	1	SETSCREW, 5/16-18 x 5/16
23	106964	1	SPROCKET
24	106898	1	CHAIN, Drive Sprocket
25	154258	2	BEARING, Needle
26	921133	1	FITTING, Grease
27	1650988	1	HOUSING, W/Bearings (1690379 & 1690380 Only)
	1657461	1	HOUSING, W/Bearings (1690442 Only)



NOTE: Use standard hardware torque spec. chart unless otherwise noted.

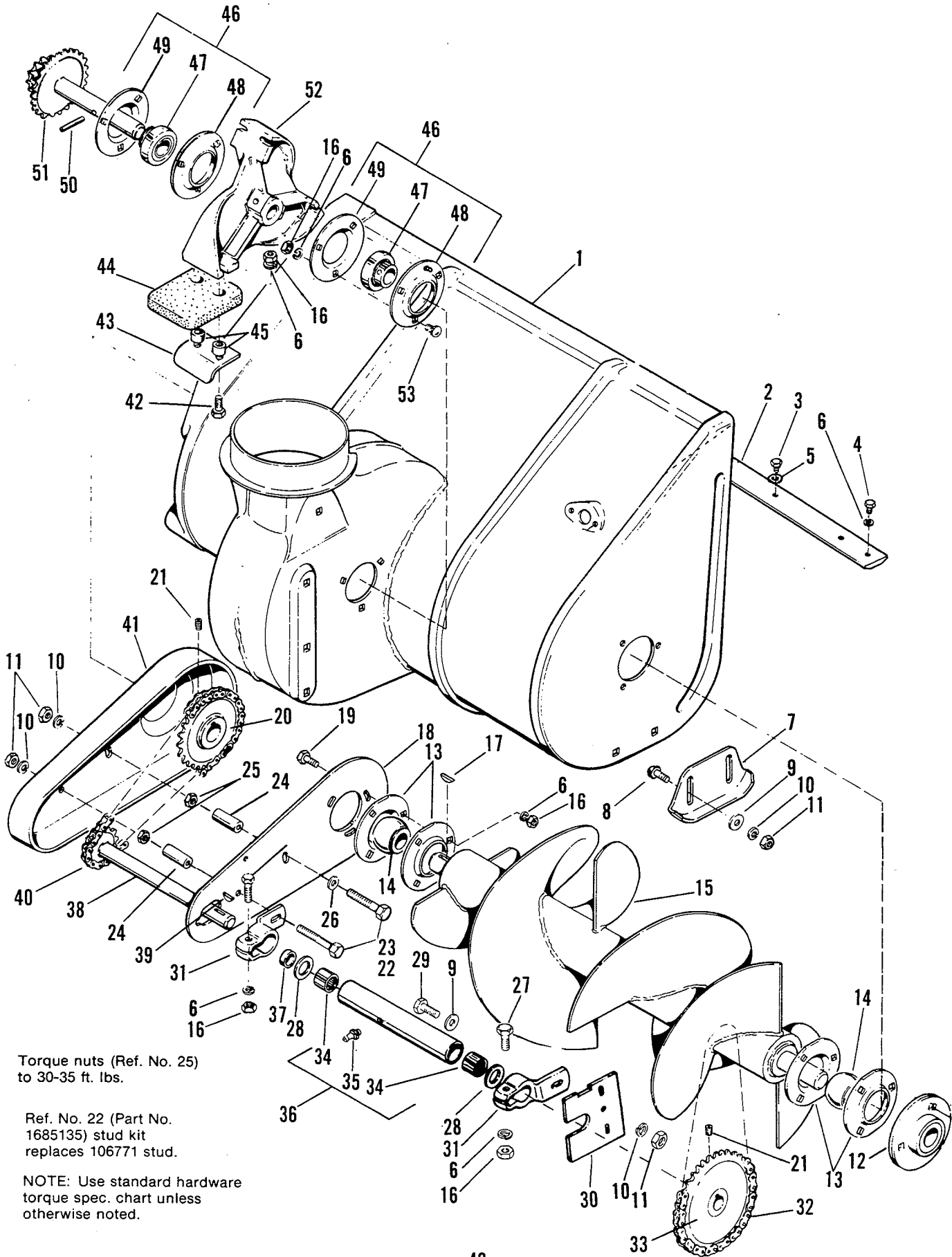


Ref No.	Part No.	Qty.	Description
1	917372	18	NUT, Hex, Full, 5/16-18
2	917356	25	LOCKWASHER, 5/16 (Qty. 24 on 1690379 & 1690380 Only)
3	170754	1	PLATE, Side
4	176100	2	BEARING ASSY., Ball
5	176101	4	BEARING, Flange
6	176095	1	PLATE (1690442 Only)
7	905126	1	KEY, Woodruff, #15
8	161283	1	ROTOR ASSY.
	170626	1	ROTOR ASSY. (1690442 Only)
9	176010	1	IMPELLER
10	1657990	2	BEARING, Cartridge
11	172278	2	FLANGE, Bearing
12	1657989	2	FLANGE, Bearing
13	171351	3	BLADE, Impeller
14	171370	3	PLATE, Backup
15	8091019	6	SPACER
16	933689	6	SCREW, Hex, Whizlock, Flange, 5/16-18 x 1-1/2
17	172333	1	BODY ASSY.
	170631	1	BODY ASSY. (1690442 Only)
18	919317	7	CAPSCREW, Hex Hd., 5/16-18 x 1/2 (Qty. 6 used on 1690379 & 1690380)
19	106994	1	SCRAPER, Body
	170762	1	SCRAPER, Body (1690442 Only)
20	177434	2	SKID
21	917378	4	WASHER, Plain, 3/8
22	916965	4	LOCKWASHER, 3/8
23	916950	4	NUT, Hex, Full, 3/8-16
24	922110	4	BOLT, Carriage, 3/8-16 x 3/4
25	920561	6	BOLT, Carriage, 5/16-18 x 5/8
26	922749	1	PIN, Spring, 5/16 x 1-7/8
27	106962	1	SPROCKET & SHAFT ASSY.
28	921332	6	CAPSCREW, Hex Hd., 5/16-18 x 3/4



NOTE: Use standard hardware torque spec. chart unless otherwise noted.

Ref. No.	Part No.	Qty.	Description
1	153089	2	BEARING
2	916950	9	NUT, Hex, Full, 3/8-16
3	916965	9	LOCKWASHER, 3/8
4	921210	3	CAPSCREW, Hex, 3/8-16 x 1
5	1606014	2	STOP, Belt
6	1657751	1	BODY ASSY., Frame
7	177434	2	SKID
8	917378	5	WASHER, Plain, 3/8
9	922127	1	CAPSCREW, Hex, 5/16-18 x 1-3/4
10	176161	1	CLAMP, Housing
11	8061012	2	WASHER
12	154258	2	BEARING
13	1657872	1	HOUSING ASSY., Bearing
14	921133	1	FITTING, Grease
15	170754	1	PLATE, Side
16	1663108	1	SUPPORT
17	1663194	2	SPACER
18	928352	2	NUT, Flange, Whizlock, 3/8-16
19	106827	1	SHAFT ASSY.
20	106058	1	CHAIN
21	170865	1	GUARD, Chain
22	106653	1	SPROCKET
23	928721	1	SETSCREW, 5/16-18 x 1/2
24	151040	1	KEY, Hi-Pro
25	917372	11	NUT, Hex, Full, 5/16-18
26	917356	11	LOCKWASHER, 5/16
27	161069	4	FLANGE, Bearing
28	1663347	2	BEARING, Cartridge
29	933254	2	SCREW, Flange, Whiz, 3/8-16 x 2-1/4
30	1663350	1	ROTOR ASSY.
31	925205	6	CAPSCREW, Hex, 5/16-18 x 5/8
32	917377	2	WASHER, Plain, 1/4
33	106831	1	SCRAPER, Body
34	923362	2	LOCKNUT, Hex, 5/16-18
35	916622	4	NUT, Hex, Full, 1/4-20
36	916964	4	LOCKWASHER, 1/4
37	921959	4	CAPSCREW, Hex, 1/4-20 x 5/8
38	922110	4	BOLT, Carriage, 3/8-16 x 3/4
39	921332	6	CAPSCREW, Hex, 5/16-18 x 3/4
40	106774	1	DEFLECTOR
41	928691	1	SETSCREW, 5/16-18 x 5/16
42	118470	1	PULLEY
43	905123	1	KEY, Woodruff, #9



Torque nuts (Ref. No. 25)  
to 30-35 ft. lbs.

Ref. No. 22 (Part No.  
1685135) stud kit  
replaces 106771 stud.

NOTE: Use standard hardware  
torque spec. chart unless  
otherwise noted.

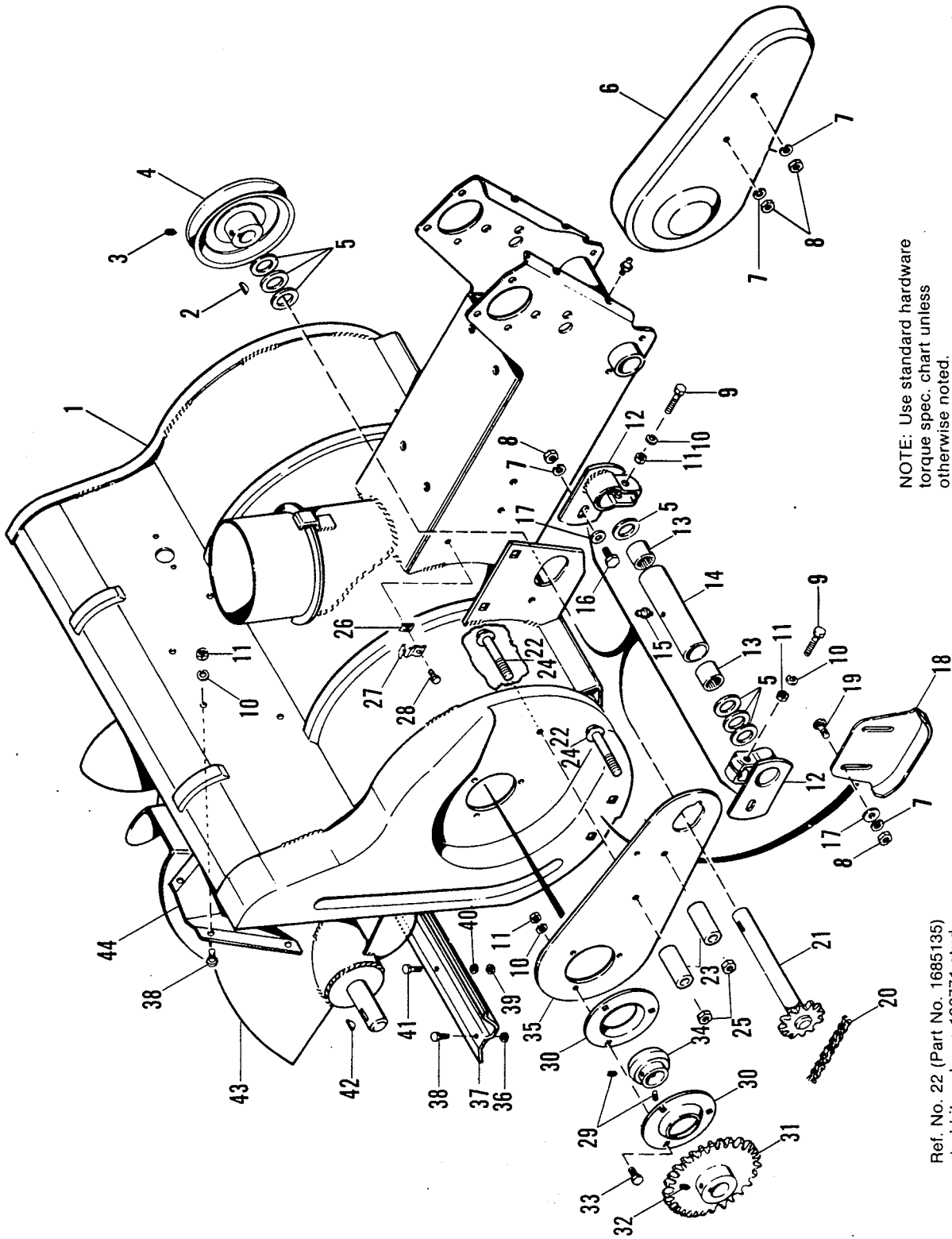
Ref. No.	Part No.	Qty.	Description
1	106993	1	BODY ASSY. (990551 Only)
	171448	1	BODY ASSY. (990656 Only)
	170631	1	BODY ASSY. (990643, 990796 & 1690255 Only)
	172333	1	BODY ASSY. (990652, 990742, 990869, 990870 & 1690209 Only)
2	106994	1	SCRAPER, Body (990551, 990652, 990742, 990796, 990869 & 1690209 Only)
	170762	1	SCRAPER, Body (990643 & 1690255 Only)
	171467	1	SCRAPER, Body (990656 & 990870 Only)
***3	928729	4	SCREW, Hex, Taptite, 5/16-18 x 3/8
	****919317	7	CAPSCREW, Hex Hd., 5/16-18 x 1/2
4	927428	4	SCREW, Hex, Taptite, 1/4-20 x 3/8 (990551 Only)
5	917377	4	WASHER, Plain, 1/4 (990551 Only)
6	917356	26	LOCKWASHER, 5/16
7	177434	2	SKID
8	922110	4	BOLT, Carriage, 3/8-16 x 3/4
9	917378	7	WASHER, Plain, 3/8 (Qty. 6 on 990551)
10	916965	7	LOCKWASHER, 3/8 (Qty. 6 on 990551)
11	916950	7	NUT, Hex, Full, 3/8-16
12	106532	2	BEARING, Ball (990551, 990643, 990652, 990656 & 990742 Only)
*13	176101	4	FLANGE, Bearing
*14	176100	2	BEARING ASSY.
15	**161283	1	ROTOR ASSY.
	170626	1	ROTOR ASSY. (990643, 990796 & 1690255 Only)
	171469	1	ROTOR ASSY. (990656 Only)
16	917372	20	NUT, Hex, Full, 5/16-18
17	151040	1	KEY, Woodruff
	*905126	1	KEY, Woodruff, #15
18	106745	1	PLATE, Side (990551 Only)
	****170754	1	PLATE, Side
19	921332	6	CAPSCREW, Hex, 5/16-18 x 3/4
20	161291	1	SPROCKET
21	928691	2	SETSCREW, 5/16-18 x 5/16
***22	1685135	1	STUD KIT (Includes Ref. Nos. 23, 24 & 25)
23	933254	1	SCREW, Hex, Flange, Whiz, 3/8-16 x 2-1/4
24	121121	1	SPACER
25	928352	1	LOCKNUT, Hex, Flange, 3/8-16
26	8161199	1	WASHER (990870, 1690209 & 1690255 Only)
27	922127	2	CAPSCREW, Hex, 5/16-18 x 1-1/2
28	8061012	3	WASHER (Qty. 2 on 990870, 1690209 & 1690255 Only)
29	921966	3	CAPSCREW, Hex, 3/8-16 x 7/8
30	170753	1	PLATE, Adjusting (Not used on 990551)
31	176161	2	SUPPORT ASSY., Clamp
32	106898	1	CHAIN
33	106964	1	SPROCKET
34	154258	2	BEARING, Needle
35	921133	1	FITTING, Grease
36	1650988	1	HOUSING, W/Bearing (990551, 990652, 990742, 990869 & 1690209 Only)
	1657461	1	HOUSING, W/Bearing (990643, 990796, & 1690255 Only)
	1650764	1	HOUSING, W/Bearing (990656 Only)
37	106992	1	SPACER
38	**106938	1	SHAFT ASSY.
	170763	1	SHAFT ASSY. (Used on 990643, 990796 & 1690255 Only)
	171459	1	SHAFT ASSY. (990656 Only)
39	905123	1	KEY, Woodruff, #9
40	106899	1	CHAIN
41	1652705	1	GUARD, Chain (990551 Only)
	170865	1	GUARD, Chain
42	930595	6	SCREW, Hex, Flange, Whizlock, 5/16-18 x 1-1/4
43	171370	3	PLATE, Backup
44	171351	3	BLADES, Impeller
45	8091019	6	SPACER
46	1685071	2	BEARING REPLACEMENT KIT (Includes Ref. Nos. 47, 48 & 49)
47	1657990	2	BEARING
48	1657989	2	FLANGE
49	172278	2	FLANGE
50	922749	1	PIN, Roll, 5/16 x 1-7/8
51	106962	1	SPROCKET & SHAFT ASSY.
52	176010	1	IMPELLER
53	930685	6	BOLT, Carriage, 5/16-18 x 5/8

\*Used on Mfg. Nos. 990796, 990869, 990870, 1690209 & 1690255 only.

\*\*Used on Mfg. No. 990551, 990652, 990742, 990869, 990870 & 1690209 only.

\*\*\*Used on Mfg. Nos. 990551, 990643, 990652, 990656, 990742, 990796, 990869 & 990870 only.

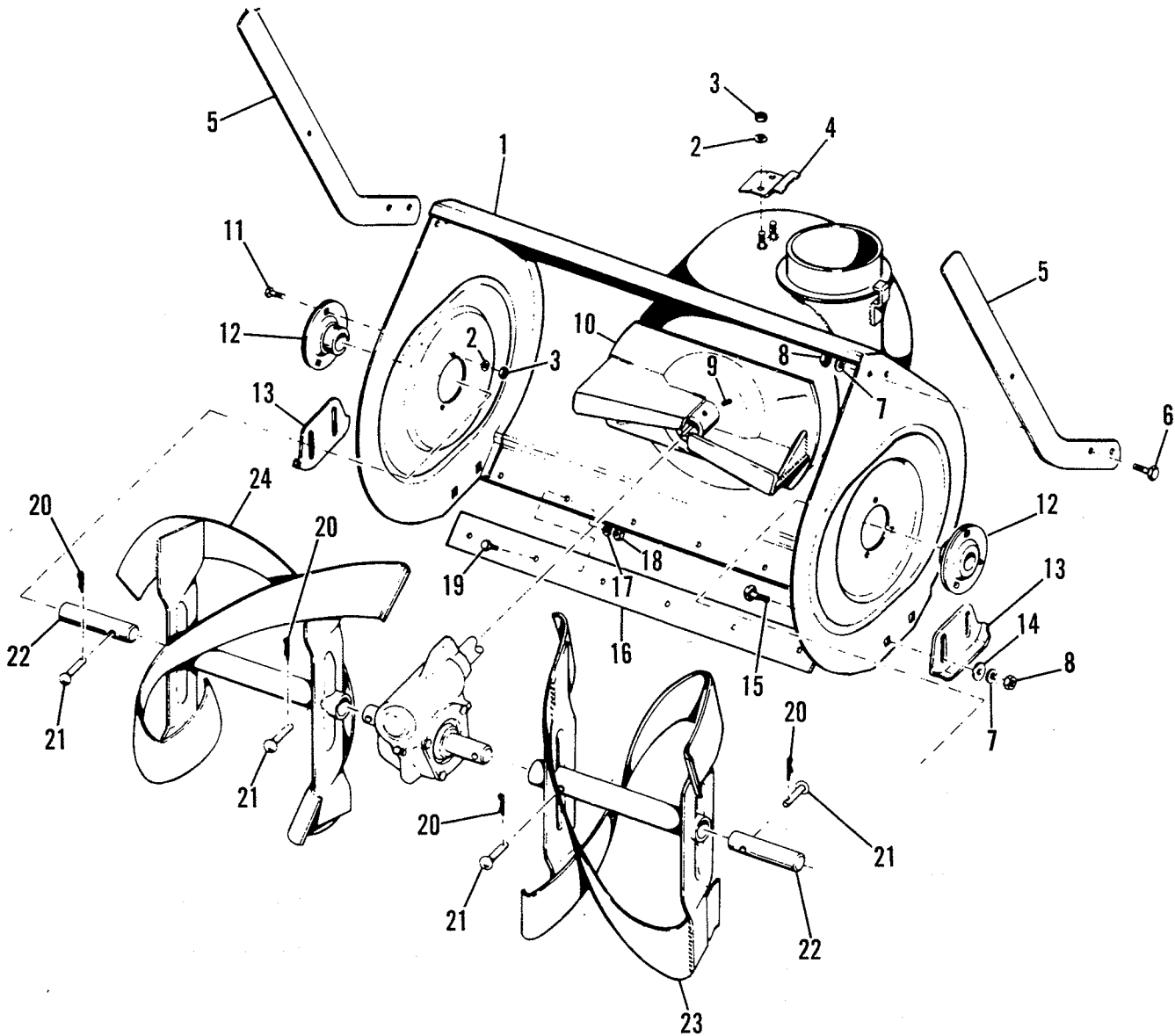
\*\*\*\*Used on Mfg. Nos. 990643, 990652, 990656, 990742, 990796, 990869, 990870, 1690209 & 1690255 only.



NOTE: Use standard hardware  
torque spec. chart unless  
otherwise noted.

Ref. No. 22 (Part No. 1685135)  
stud kit replaces 106771 stud.

Ref. No.	Part No.	Qty.	Description
1	161191	1	BODY ASSY., Frame (990483 & 990559 Only)
	106814	1	BODY ASSY., Frame (990482 Only)
	1657751	1	BODY ASSY., Frame (990558 & 1690305 Only)
2	905123	1	KEY, Woodruff, #9
3	928691	1	SETSCREW, 5/16-18 x 5/16
4	106663	1	PULLEY (990482, 990483, 990558 & 990559 Only)
	118470	1	PULLEY (1690305 Only)
5	8061012	7	WASHER (Qty. 2 used on 1690305)
6	1652705	1	GUARD, Chain (990482, 990483, 990558 & 990559 Only)
	170865	1	GUARD, Chain (1690305 Only)
7	916965	7	LOCKWASHER, 3/8 (Qty. 6 used on 1690305)
8	916950	7	NUT, Hex, Full, 3/8-16 (Qty. 6 used on 1690305)
9	921221	2	CAPSCREW, Hex Hd., 5/16-18 x 1-1/2 (Qty. 1 used on 1690305)
10	917356	9	LOCKWASHER, 5/16 (Qty. 8 used on 1690305)
11	917372	9	NUT, Hex, Full, 5/16-18 (Qty. 8 used on 1690305)
12	176161	2	CLAMP, Housing (Qty. 1 used on 1690305)
13	154258	2	BEARING, Needle
14	103163	1	HOUSING ASSY., W/Bearings (990483 & 990559 Only)
	1657872	1	HOUSING ASSY., W/Bearings (990482, 990558 & 1690305 Only)
15	912808	1	FITTING, Grease (990483 & 990559 Only)
	921133	1	FITTING, Grease (990482, 990558 & 1690305 Only)
16	921210	2	CAPSCREW, Hex Hd., 3/8-16 x 1 (Qty. 1 used on 1690305 Only)
17	917378	6	WASHER, Plain, 3/8 (Qty. 5 used on 1690305)
18	177434	2	SKID
19	922110	4	BOLT, Carriage, 3/8-16 x 3/4
20	106058	1	CHAIN
21	106844	1	SHAFT ASSY. (990483 & 990559 Only)
	106827	1	SHAFT ASSY. (990482, 990558 & 1690305 Only)
22	1685135	1	STUD KIT (Includes Ref. Nos. 23, 24 & 25)
23	121121	1	SPACER
24	933254	1	SCREW, Flange, Whiz, 3/8-16 x 2-1/4
25	928352	1	LOCKNUT, Flange, 3/8-16
26	928699	1	NUT, Speed (990482, 990483, 990558 & 990559 Only)
27	106880	1	CLIP, Speed (990482, 990483, 990558 & 990559 Only)
28	928688	1	SCREW, Self Tapping, #10 x 1/2 (990482, 990483, 990558 & 990559 Only)
29	928692	4	SETSCREW, 1/4-28 x 1/4 (990482, 990483, 990558 & 990559 Only)
30	161069	4	FLANGE, Bearing
31	106653	1	SPROCKET
32	928721	1	SETSCREW, 5/16-18 x 1/2
33	921332	6	CAPSCREW, Hex Hd., 5/16-18 x 3/4
34	106732	2	BEARING, Cartridge (990482, 990483, 990558 & 990559 Only)
	1663347	2	BEARINGS, Cartridge (1690305 Only)
35	106745	1	PLATE, Side (990482, 990483, 990558 & 990559 Only)
	170754	1	PLATE, Side (1690305 Only)
36	923362	2	LOCKNUT, Hex, 5/16-18
37	106838	1	SCRAPER, Body (990483 & 990559 Only)
	106831	1	SCRAPER, Body (990482, 990558 & 1690305 Only)
38	925205	6	CAPSCREW, Hex Hd., 5/16-18 x 5/8
39	916622	4	NUT, Hex, Full, 1/4-20
40	916964	4	LOCKWASHER, 1/4
41	921959	4	CAPSCREW, Hex Hd., 1/4-20 x 5/8
42	151040	1	KEY, Hi-Pro
43	106839	1	ROTOR ASSY. (990483 & 990559 Only)
	1663350	1	ROTOR ASSY. (990482, 990558 & 1690305 Only)
44	106774	1	DEFLECTOR

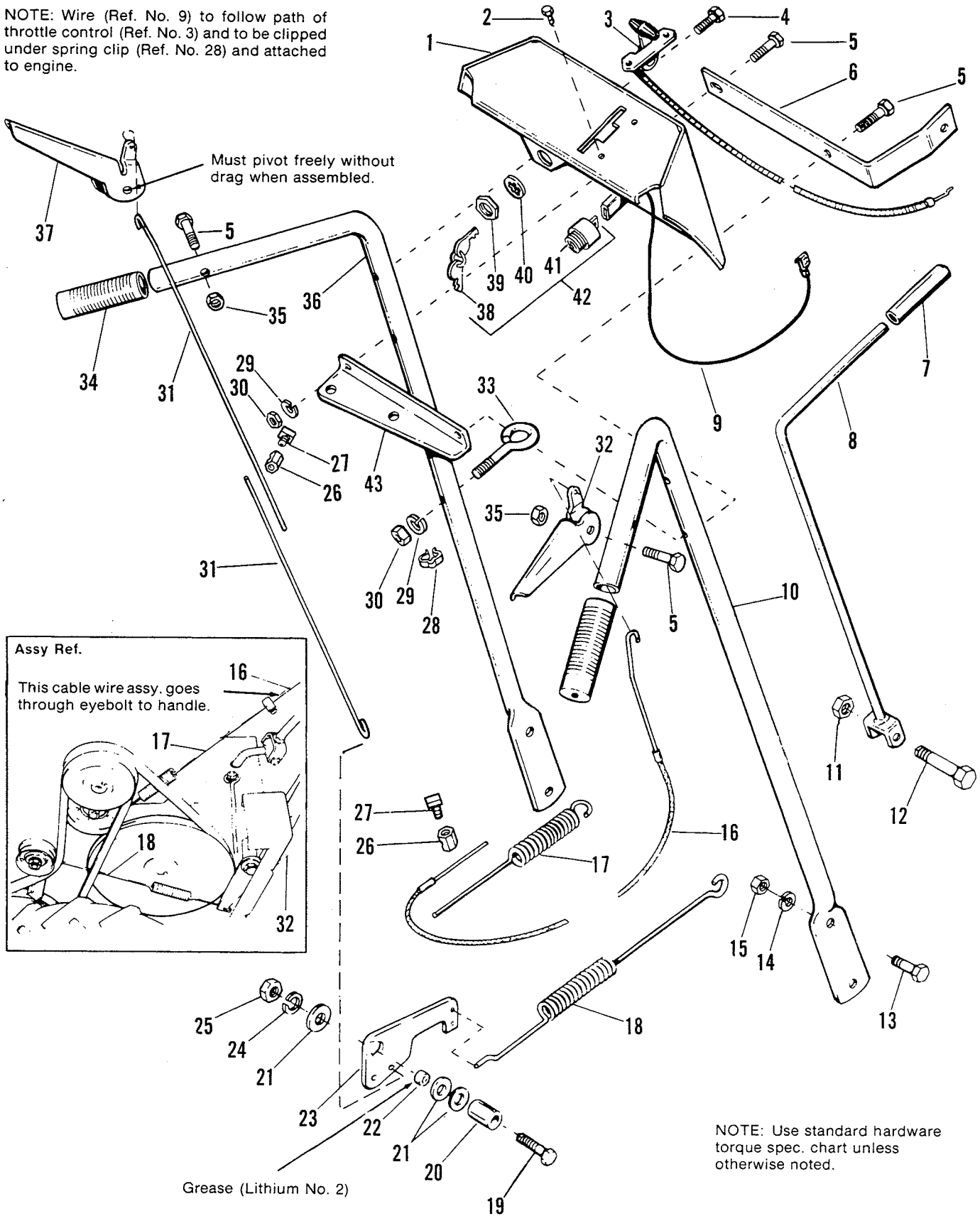


NOTE: Use standard hardware torque spec. chart unless otherwise noted.

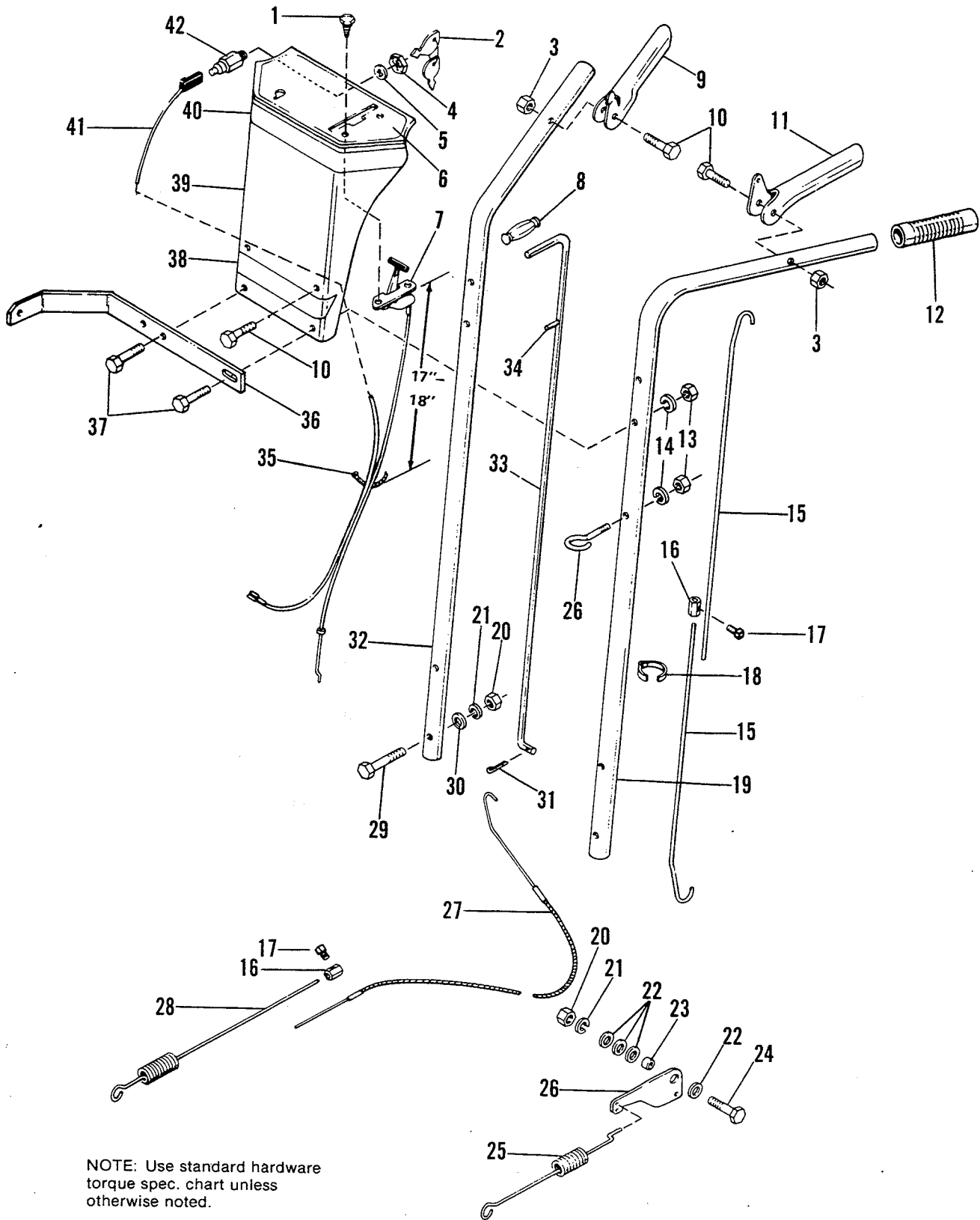


Ref. No.	Part No.	Qty.	Description
1	161001	1	BODY ASSY.
2	917356	8	LOCKWASHER, 5/16
3	917372	8	NUT, Hex, Full, 5/16-18
4	161116	1	CLIP, Hold Down
5	161042	2	CUTTER, Drift
6	921965	4	CAPSCREW, Hex Hd., 3/8-16 x 3/4
7	916965	8	LOCKWASHER, 3/8
8	916950	8	NUT, Hex, Full, 3/8-16
9	928709	1	SETSCREW, 5/16-18 x 3/8
10	161011	1	IMPELLER ASSY.
11	921332	6	CAPSCREW, Hex Hd., 5/16-18 x 3/4
12	106532	2	BEARING, Ball
13	177434	2	SKID
14	917378	4	WASHER, Plain, 3/8
15	922110	4	BOLT, Carriage, 3/8-16 x 3/4
16	161059	1	BLADE, Scraper
17	916964	6	LOCKWASHER, 1/4
18	916622	6	NUT, Hex, Full, 1/4-20
19	921959	6	CAPSCREW, Hex Hd., 1/4-20 x 5/8
20	918452	4	PIN, Cotter, 1/8 x 1
21	118053	4	PIN
22	161060	2	SHAFT, Auger
23	161019	1	AUGER ASSY., L.H.
24	161020	1	AUGER ASSY., R.H.

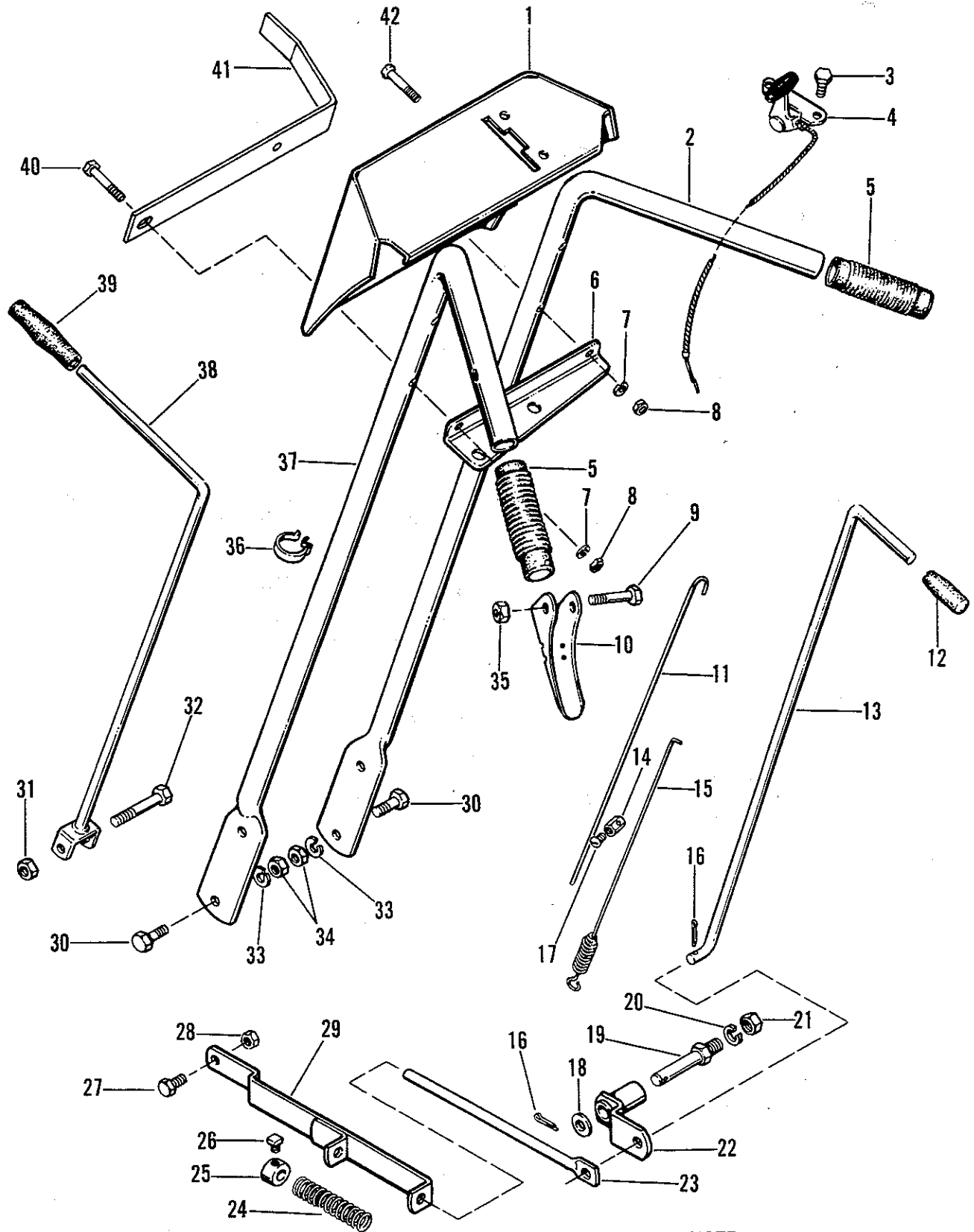
NOTE: Wire (Ref. No. 9) to follow path of throttle control (Ref. No. 3) and to be clipped under spring clip (Ref. No. 28) and attached to engine.



Ref. No.	Part No.	Qty.	Description
1	1654528	1	HOUSING ASSY.
2	923188	2	SCREW, Thd. Forming, 1/4-20 x 1/2
3	1664589	1	CONTROL, Throttle (1690209, 1690255, 1690379 & 1690442 Only)
	1664473	1	CONTROL, Throttle (1690380 Only)
4	921962	2	CAPSCREW, Hex, 1/4-20 x 1-3/4
5	922837	4	CAPSCREW, Hex, 1/4-20 x 1-1/2
6	171357	1	SUPPORT, Bracket
7	176985	1	HANDLE, Grip
8	171411	1	ROD ASSY., Shift, Upper
9	1656604	1	WIRE ASSY.
10	1654136	1	HANDLE, R.H.
11	923362	1	LOCKNUT, Hex, 5/16-18
12	921978	1	CAPSCREW, Hex, 5/16-18 x 2
13	923325	4	CAPSCREW, Hex, 5/16-18 x 7/8
14	917356	4	LOCKWASHER, 5/16
15	917372	4	NUT, Hex, 5/16-18
16	1654503	1	CABLE & WIRE ASSY.
17	176017	1	SPRING
18	1654568	1	SPRING
19	926110	1	CAPSCREW, 7/16-14 x 2-3/4
20	106929	1	HUB
21	917378	3	WASHER, Plain, 3/8
22	1654567	1	SPACER
23	1654574	1	ARM, Pivot
24	918199	1	LOCKWASHER, 7/16
25	918213	1	NUT, Hex, 7/16
26	161092	2	CLAMP, Wire
27	928722	2	SCREW, Sq. Hd., #10-24 x 5/8
28	1605216	1	CLIP, Spring
29	916964	5	LOCKWASHER, Spring, 1/4
30	916622	5	NUT, Hex, 1/4-20
31	1654506	2	WIRE, Control
32	1656589	1	GRIP, Clutch, R.H. Traction Drive
33	1654134	1	BOLT, Eye
34	106558	2	GRIP
35	923358	2	LOCKNUT, Hex, 1/4-20
36	1654137	1	HANDLE, L.H.
37	1656588	1	GRIP, Clutch, L.H. Auger Drive
38	122203	1	KEYS & RING ASSY. (2 Keys)
39	122234	1	NUT, Hex, 5/8
40	918906	1	LOCKWASHER, Internal Tooth, 5/8
41	177163	1	SWITCH (See Ref. No. 42)
42		1	SWITCH ASSY., Key
43	171422	1	GUIDE, Rod

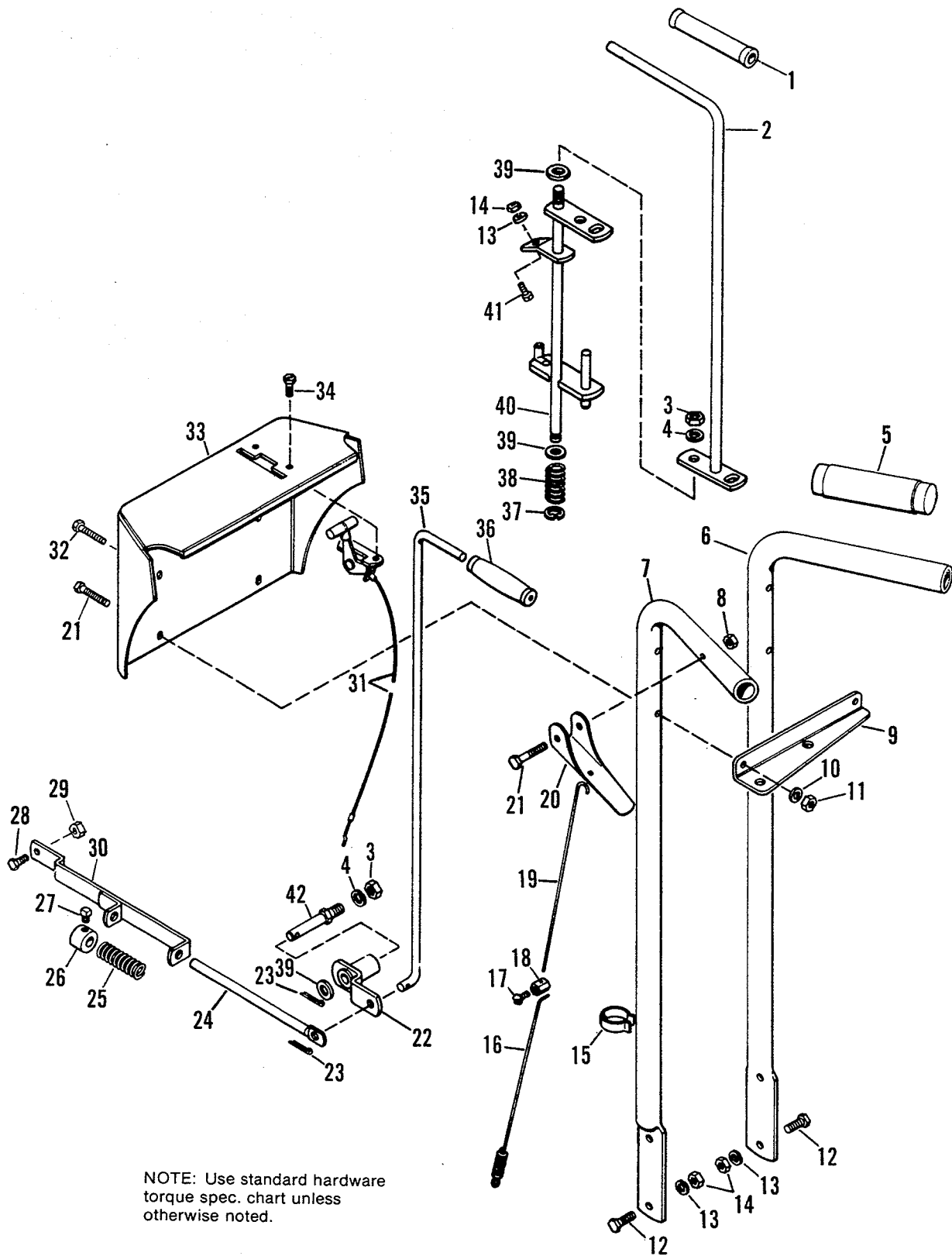


Ref. No.	Part No.	Qty.	Description
1	923188	2	SCREW, Thd. Forming, 1/2-20 x 1/2
2	122203	1	KEY & RING ASSY.
3	923358	2	LOCKNUT, Hex, 1/4-20
4	122234	1	NUT, Hex, 5/8
5	918906	1	LOCKWASHER, Int. Tooth, 5/8
6	1657916	1	DECAL, Instructions
7	161177	1	CONTROL ASSY. (1690305 Only)
	1664473	1	CONTROL ASSY. (1690378 Only)
8	106572	1	GRIP
9	1656589	1	GRIP, Clutch, R.H.
10	919316	2	CAPSCREW, Hex, 1/4-20 x 1-3/4
11	1656588	1	GRIP, Clutch, L.H.
12	106558	2	GRIP
13	916622	5	NUT, Hex, 1/4-20
14	916964	5	LOCKWASHER, Spring, 1/4
15	1654506	2	WIRE, Control
16	161092	2	CLAMP, Wire
17	928722	2	SETSCREW, Sq. Hd., #10-24 x 5/8
18	1605216	1	CLIP, Spring
19	1657747	1	HANDLE, L.H.
20	916950	5	NUT, Hex, 3/8-16
21	916965	5	LOCKWASHER, Spring, 3/8
22	917642	4	WASHER, Plain, 5/16
23	1654567	1	SPACER
24	920415	1	CAPSCREW, Hex Hd., 3/8-16 x 1-1/4
25	1654568	1	SPRING
26	1654574	1	ARM, Pivot
27	1654503	1	CABLE & WIRE ASSY. (1690305 Only)
	1664535	1	WIRE CONTROL, Upper (1690378 Only)
28	176017	1	SPRING
29	923701	4	CAPSCREW, Hex Hd., 3/8-16 x 2
30	917378	4	WASHER, Plain, 3/8
31	918447	1	PIN, Cotter, 3/32 x 3/4
32	1657746	1	HANDLE, R.H.
33	1663665	1	ROD ASSY.
34	919180	1	PIN
35	932747	1	TIE, Cable
36	171357	1	BRACKET, Support
37	918240	2	CAPSCREW, Hex Hd., 1/4-20 x 1-1/2
38	106718	1	DECAL, Simplicity
39	1654526	1	HOUSING ASSY.
40	1657915	1	DECAL, Strip
41	1656604	1	WIRE ASSY.
42	177163	1	SWITCH (1690305 Only)
	1665503	1	SWITCH (1690378 Only)



NOTE: Use standard hardware torque spec. chart unless otherwise noted.

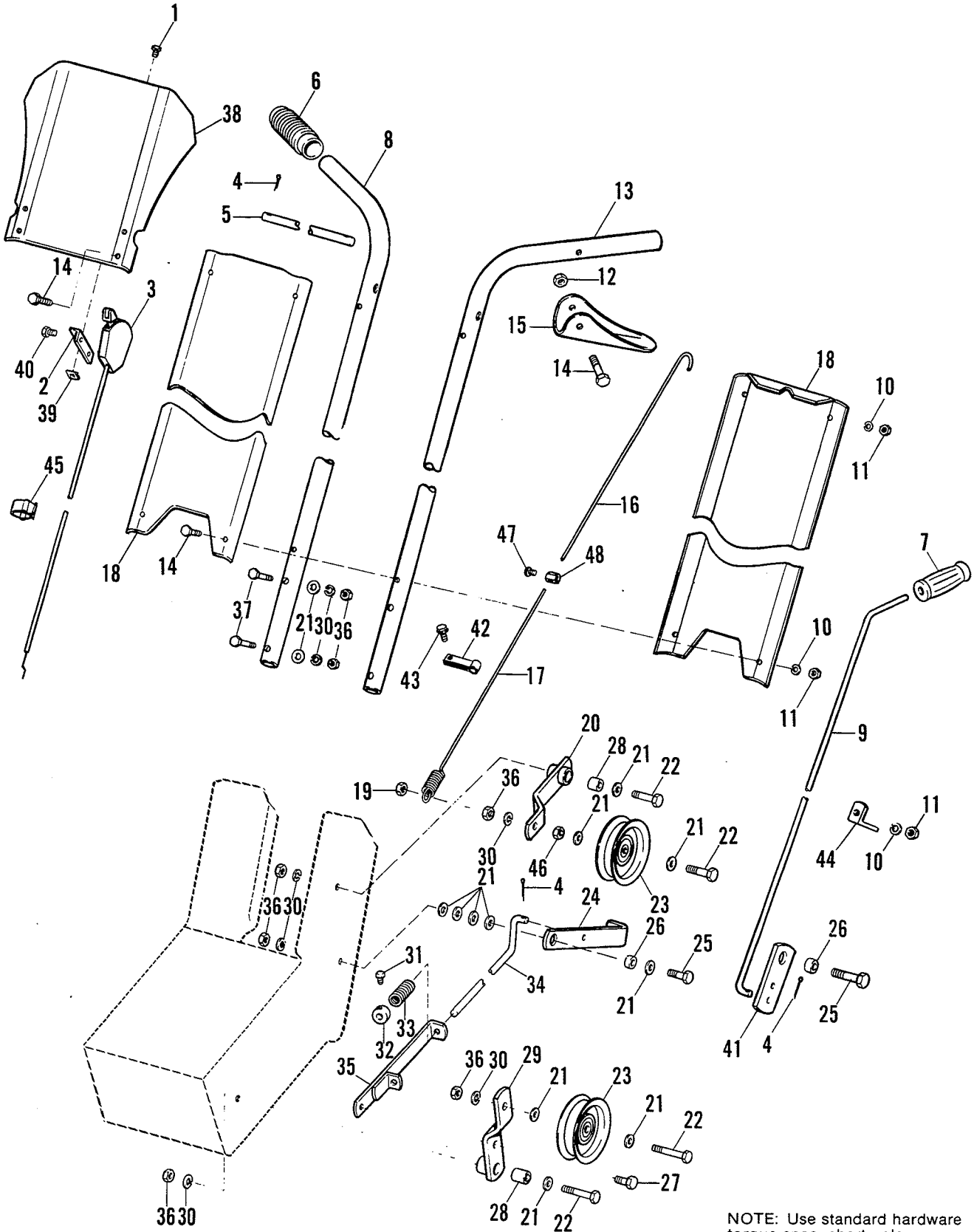
Ref. No.	Part No.	Qty.	Description
1	171308	1	CONTROL HOUSING ASSY.
2	106976	1	HANDLE, R.H. (990643, 990652, 990656 & 990742 Only)
	1654136	1	HANDLE, R.H. (990796, 990869 & 990870 Only)
3	923188	2	SCREW, Self Tapping, 1/4-20
4	1664589	1	CONTROL ASSY.
5	106558	2	GRIP
6	171422	1	GUIDE, Rod
7	916964	4	LOCKWASHER, 1/4
8	917622	4	NUT, Hex, Full, 1/4-20
9	918240	1	CAPSCREW, Hex, 1/4-20 x 1-1/2
10	118056	1	GRIP, Clutch
11	161090	1	EXTENSION, Spring
12	106572	1	GRIP
13	106980	1	ROD, Idler
14	161092	1	CLAMP, Wire
15	171424	1	SPRING ASSY. (990643, 990652, 990656 & 990742 Only)
	176017	1	SPRING ASSY. (990796, 990869 & 990870 Only)
16	918451	2	PIN, Cotter, 1/8 x 3/4
17	916079	1	SCREW, Rd. Hd., #10-24 x 3/8
18	917378	1	WASHER, Plain, 3/8
19	106928	1	STUD
20	918199	1	LOCKWASHER, 7/16
21	918213	1	NUT, Hex, Full, 7/16 -14
22	106931	1	PIVOT ASSY.
23	106913	1	ROD, Clutch
24	8191045	1	SPRING
25	105201	1	SET COLLAR
26	928804	1	SCREW, Sq. Hd., 1/4-20 x 3/8
27	919318	1	CAPSCREW, Hex, 5/16-18 x 5/8
28	923362	1	LOCKNUT, Hex, 5/16-18
29	106954	1	GUIDE ASSY., Rod
30	923325	4	CAPSCREW, Hex, 5/16-18 x 7/8
31	923362	1	LOCKNUT, Hex, 5/16-18
32	919354	1	CAPSCREW, Hex, 5/16-18 x 2
33	917356	4	LOCKWASHER, 5/16
34	917372	4	NUT, Full, Hex, 5/16-18
35	923358	1	LOCKNUT, Hex, 1/4-20
36	1605216	1	CLIP, Cable
37	106975	1	HANDLE, L.H. (990643, 990652, 990656 & 990742 Only)
	1654137	1	HANDLE, L.H. (990796, 990869 & 990870 Only)
38	171411	1	ROD ASSY., Shift, Upper
39	176985	1	GRIP, Handle
40	919316	2	CAPSCREW, Hex, 1/4-20 x 1-3/4
41	171357	1	BRACKET, Support
42	918240	2	CAPSCREW, Hex, 1/4-20 1-1/2



NOTE: Use standard hardware torque spec. chart unless otherwise noted.

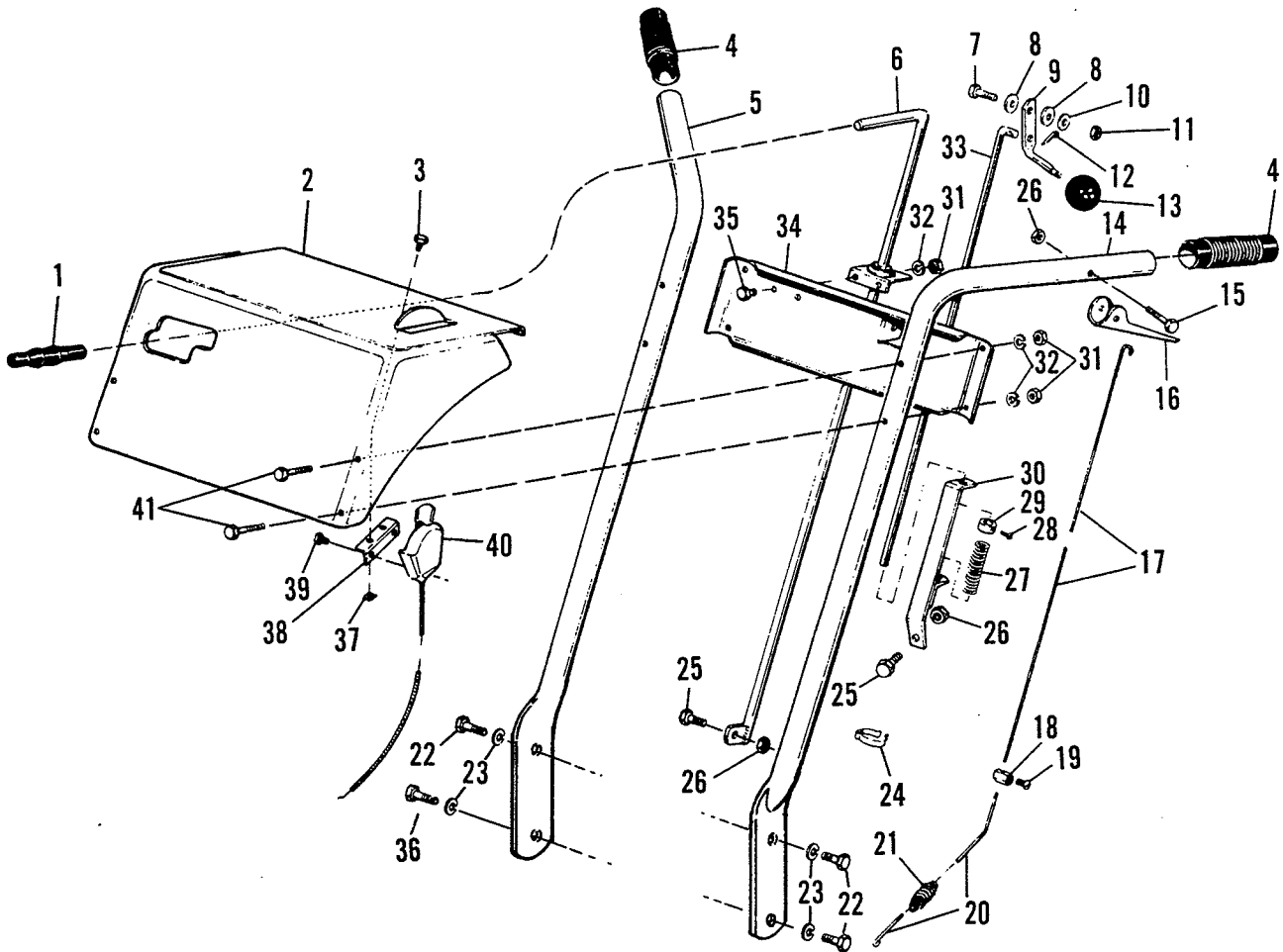


Ref. No.	Part No.	Qty.	Description
1	176985	1	GRIP, Handle
2	161213	1	ROD ASSY., Shift, Upper
3	918213	1	NUT, Hex, Full, 7/16-14
4	918199	1	LOCKWASHER, 7/16
5	106558	2	GRIP
6	106976	1	HANDLE, R.H.
7	106975	1	HANDLE, L.H.
8	923358	1	LOCKNUT, Hex, Full, 1/4-20
9	161292	1	GUIDE, Rod
10	916964	2	LOCKWASHER, 1/4
11	916622	2	NUT, Hex, Full, 1/4-20
12	923325	4	CAPSCREW, Hex, 5/16-18 x 7/8
13	917356	5	LOCKWASHER, 5/16
14	917372	5	NUT, Hex, Full, 5/16-18
15	1605216	1	CLIP, Cable
16	106778	1	SPRING ASSY.
17	916079	1	SCREW, Rd. Hd., #10-24 x 3/8
18	161092	1	CLAMP, Wire
19	161090	1	EXTENSION, Spring
20	118056	1	GRIP, Clutch
21	918240	1	CAPSCREW, Hex, 1/4-20 x 1-1/2
22	106930	1	ARM ASSY., Pivot
23	918451	1	PIN, Cotter, 1/8 x 3/4
24	106913	1	ROD, Clutch
25	8191045	1	SPRING
26	105201	1	SET COLLAR
27	928804	1	SETSCREW, Sq. Hd., 1/4-20 x 3/8
28	919318	1	CAPSCREW, Hex, 5/16-18 x 5/8
29	923362	1	LOCKNUT, Hex, 5/16-18
30	106954	1	GUIDE ASSY., Rod
31	1664589	1	CONTROL ASSY.
32	919316	1	CAPSCREW, Hex, 1/4-20 x 1-3/4
33	161143	1	HOUSING ASSY., Control
34	923188	2	SCREW, Hex Hd., Self Tapping, 1/4 x 20 x 1/2
35	106980	1	ROD, Idler
36	106572	1	GRIP
37	927794	1	RING, Retaining
38	161290	1	SPRING
39	917378	3	WASHER, Plain, 3/8
40	161231	1	ROD ASSY., Shift Lower
41	919319	1	CAPSCREW, Hex, 5/16-18 x 7/8
42	106928	1	STUD



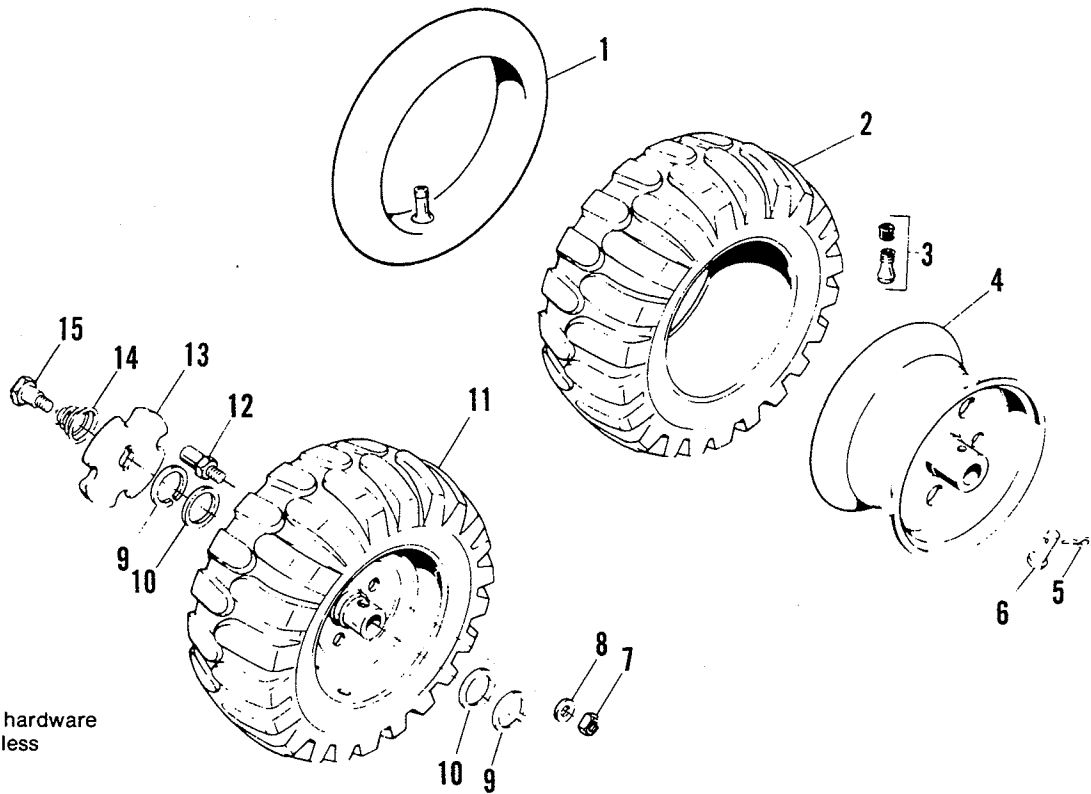
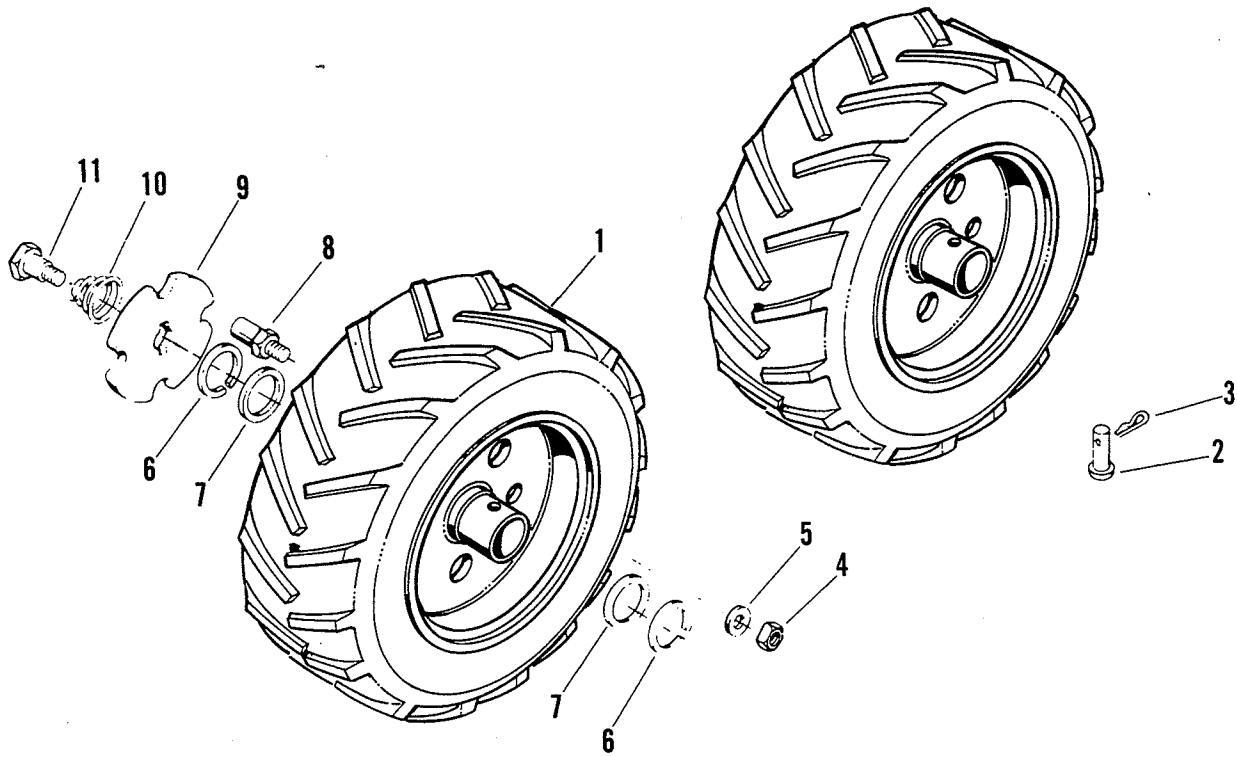
NOTE: Use standard hardware torque spec. chart unless otherwise noted.

Ref. No.	Part No.	Qty.	Description
1	922122	2	SCREW, Hex, Self Tapping, #10-32 x 1/2
2	106524	1	SUPPORT, Throttle Control
3	106563	1	CONTROL ASSY., Throttle (990482 & 990483 Only)
	161177	1	CONTROL ASSY., Throttle (990558 & 990559 Only)
4	918447	3	PIN, Cotter, 3/32 x 3/4
5	106564	1	PIN, Lever
6	106558	2	GRIP
7	106572	1	GRIP, Reverse Rod
8	106782	1	HANDLE, R.H.
9	106776	1	ROD, Reverse (990482 & 990483 Only)
	161163	1	ROD, Reverse (990558 & 990559 Only)
10	916964	5	LOCKWASHER, 1/4
11	916622	5	NUT, Hex, Full, 1/4-20
12	923358	1	LOCKNUT, Hex, 1/4-20
13	106781	1	HANDLE, L.H.
14	918240	1	CAPSCREW, Hex, 1/4-20 x 1-1/2
15	118056	1	GRIP, Clutch
16	161090	1	EXTENSION, Wire
17	106778	1	SPRING ASSY.
18	106559	1	COVER, Handle
19	930651	2	LOCKNUT, Hex, 3/8-16
20	106204	1	LEVER ASSY., Idler
21	917378	15	WASHER, Plain, 3/8
22	919361	4	CAPSCREW, Hex, 3/8-16 x 1-3/4
23	154534	2	PULLEY, Idler
24	106223	1	PEDAL, Foot Clutch
25	108418	1	CAPSCREW, Special
26	8161215	2	BUSHING
27	919357	1	CAPSCREW, Hex, 3/8-16 x 7/8
28	8171073	1	BEARING, Race
29	106201	1	LEVER ASSY., Idler
30	916965	9	LOCKWASHER, 3/8
31	928804	1	SETSCREW, Sq. Hd., 1/4-20 x 3/8
32	8191022	1	COLLAR, Set
33	8191045	1	SPRING
34	106829	1	ROD, Clutch
35	8081503	1	GUIDE ASSY., Rod
36	916950	7	NUT, Hex, Full, 3/8-16
37	923701	4	CAPSCREW, Hex, 3/8-16 x 2
38	106780	1	HOUSING ASSY. (990482 & 990483 Only)
	1654526	1	HOUSING ASSY. (990558 & 990559 Only)
39	928700	2	SPEED NUT, Tinnerman
40	923734	2	SCREW, Self Tapping, #10-24 x 1/2
41	161169	1	BAR, Clutch
42	154247	1	CLAMP
43	927428	1	SCREW, Taptite, 1/4-20 x 3/8
44	154119	1	CLIP, Spring
45	8061108	1	CLIP, Cable
46	928731	1	LOCKNUT, Hex, Jam, 3/8-16
47	916079	1	SCREW, Rd. Hd., #10-24 x 3/8
48	161092	1	CLAMP



NOTE: Use standard hardware torque spec. chart unless otherwise noted.

Ref. No.	Part No.	Qty.	Description
1	176965	1	GRIP, Handle
2	161049	1	HOUSING ASSY., Control (990372 & 990430 Only)
	161173	1	HOUSING ASSY., Control (990560 Only)
3	922122	2	SCREW, Self Tapping, #10 x 1/2 (990372 & 990430 Only)
	923188	2	SCREW, Self Tapping, 1/4 x 20 x 1/2 (990560 Only)
4	106558	2	GRIP
5	161138	1	HANDLE, R.H. (990430 & 990560 Only)
	161050	1	HANDLE, R.H. (990372 Only)
6	161035	1	ROD ASSY., Shift
7	919319	1	CAPSCREW, Hex, 5/16-18 x 7/8
8	159134	2	WASHER, Nylon
9	161085	1	HANDLE, Clutch
10	917377	1	WASHER, Plain, 1/4
11	924433	1	LOCKNUT, Hex, W/Nylon Insert, 5/16-18
12	918447	1	PIN, Cotter, 3/32 x 3/4
13	122005	1	KNOB, Ball
14	161139	1	HANDLE, L.H. (990430 & 990560 Only)
	161051	1	HANDLE, L.H. (990372 Only)
15	919316	1	CAPSCREW, Hex, 1/4-20 x 1-3/4
16	118056	1	GRIP, Clutch
17	161090	1	EXTENSION, Spring
18	161092	1	CLAMP, Wire
19	916079	1	SCREW, Rd. Hd., #10-24 x 3/8
20	161091	1	EXTENSION, Wire
21	161093	1	SPRING
22	923325	4	CAPSCREW, Hex, 5/16-16 x 7/8 (990430 & 990560 Only)
	919357	4	CAPSCREW, Hex, 3/8-16 x 7/8 (990372 Only)
23	917356	4	LOCKWASHER, 5/16 (990430 & 990560 Only)
	916965	4	LOCKWASHER, 3/8 (990372 Only)
24	8061108	1	CLIP, Cable
25	921960	1	CAPSCREW, Hex, 1/4-20 x 1
26	923358	2	LOCKNUT, Hex, 1/4-20
27	8191045	1	SPRING
28	928804	1	SETSCREW, 1/4-20 x 3/8
29	8191022	1	COLLAR, Set
30	161041	1	GUIDE ASSY., Rod
31	916622	4	NUT, Hex, Full, 1/4-20
32	916964	4	LOCKWASHER, 1/4
33	161052	1	ROD, Clutch
34	161084	1	COVER, Handle
35	908295	2	CAPSCREW, Hex, 1/4 -20 x 1/2
36	921221	4	CAPSCREW, Hex, 5/16-18 x 1-1/2 (990430 & 990560 Only)
37	928700	2	NUT, Speed
38	106524	1	SUPPORT, Throttle
39	923734	2	SCREW, Self Tapping, #10-24 x 1/2
40	161089	1	CONTROL ASSY., Throttle (990372 & 990430 Only)
	1664589	1	CONTROL ASSY., Throttle (990560 Only)
41	918240	4	CAPSCREW, Hex Hd., 1/4-20 x 1-1/2



NOTE: Use standard hardware torque spec. chart unless otherwise noted.

## Wheels &amp; Tires Group

**Simplicity**

2/80

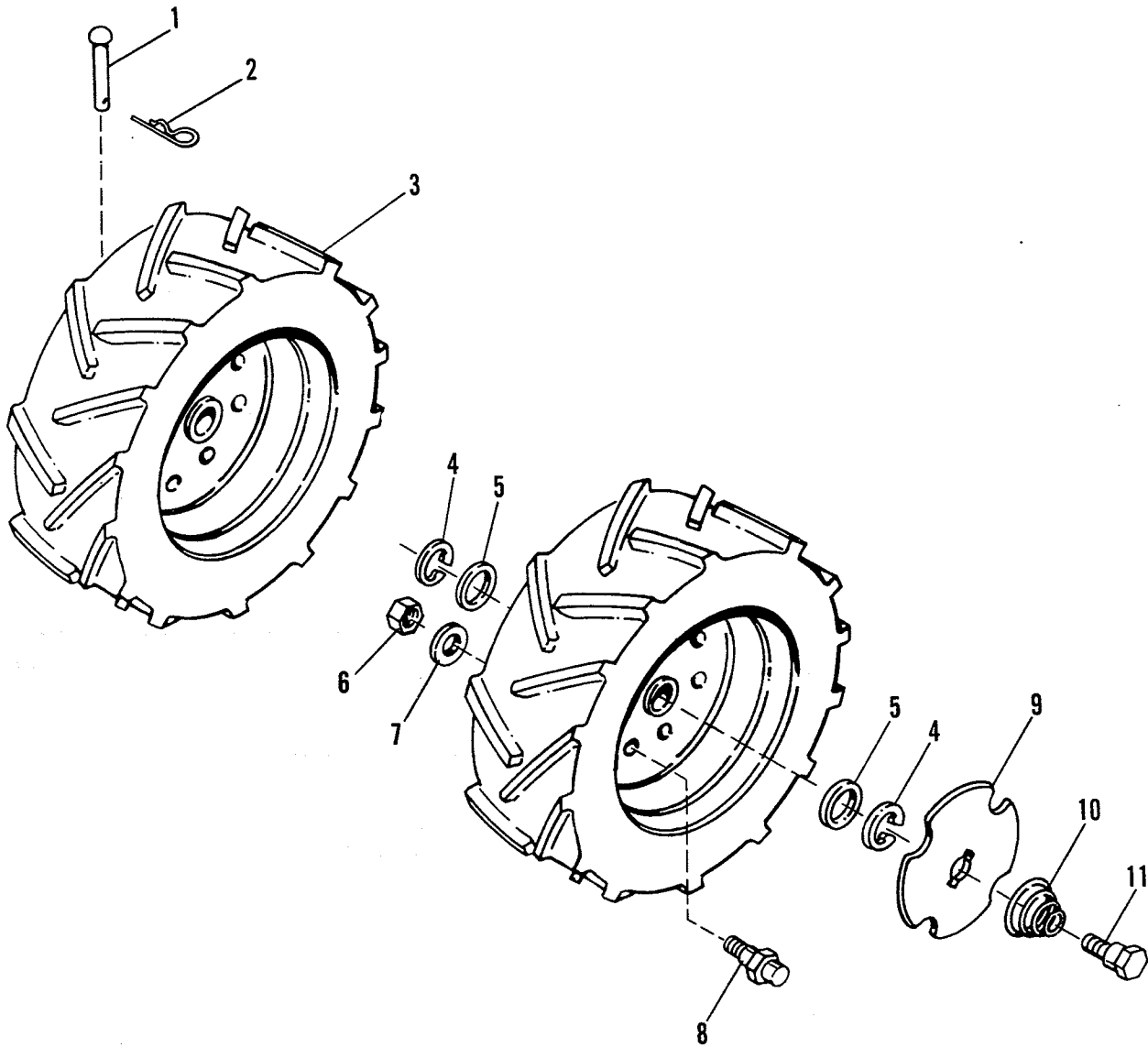
Ref. No.	Part No.	Qty.	Description
1	161151	2	WHEEL & TIRE ASSY.
2	118053	1	PIN
3	918196	1	CLIP, Spring
4	930651	2	LOCKNUT, Hex, 3/8-16
5	917642	2	WASHER, Plain, 5/16
6	161260	2	RING, Retaining
7	118252	2	WASHER, Special
8	161167	2	STUD
9	161259	1	PLATE
10	161176	1	SPRING
11	161166	1	BOLT, Shoulder

Mfg. No. 1690380

## Wheels &amp; Tires Group

2/80

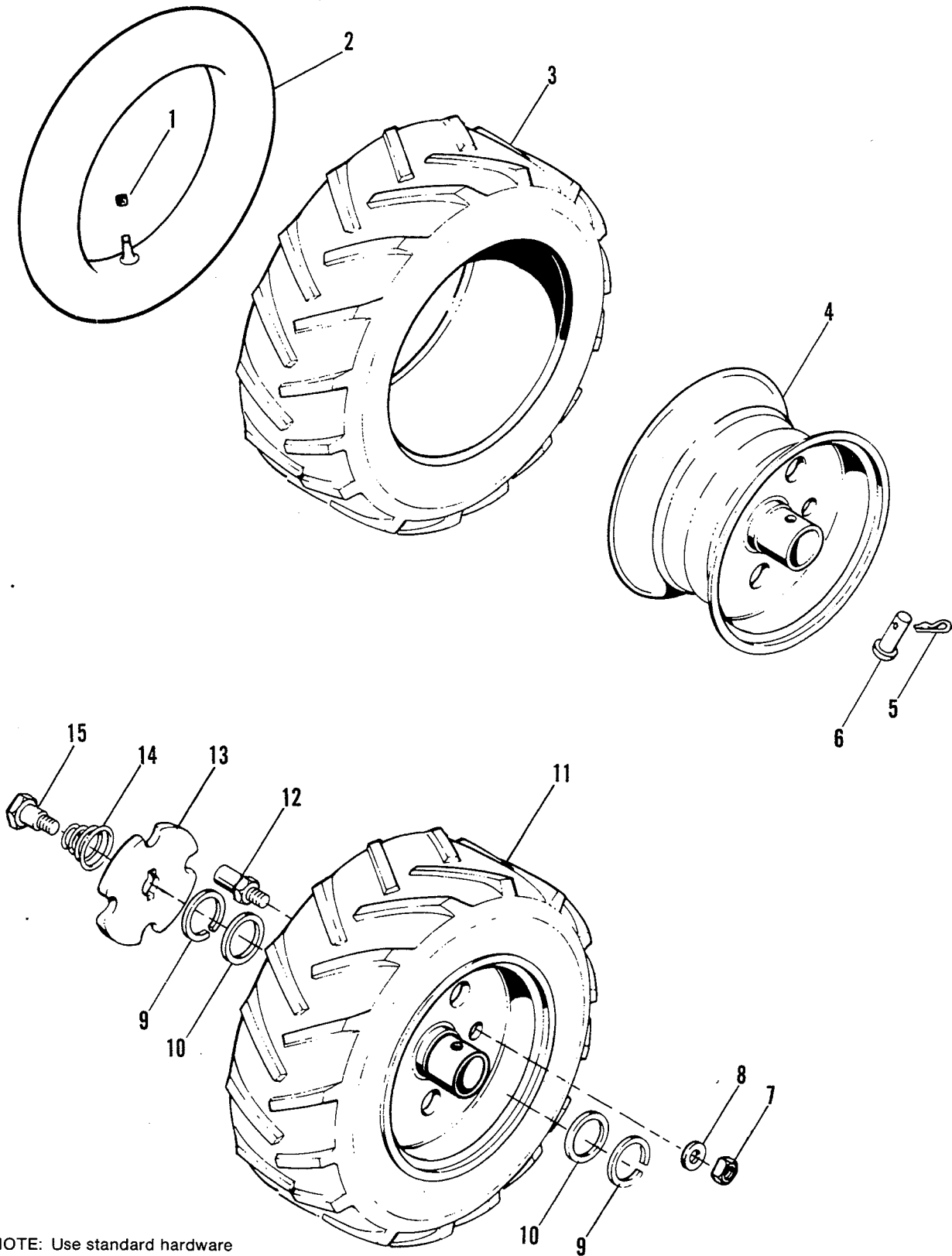
Ref. No.	Part No.	Qty.	Description
1	170780	2	TUBE
2	1657076	2	TIRE, Tubeless, Knobby
3	171270	2	VALVE STEM & CAP
4	1656878	2	WHEEL & HUB ASSY.
5	918196	2	CLIP, Spring
6	1657463	2	PIN, Clevis
7	930651	2	LOCKNUT, Hex, 3/8-16
8	917642	2	WASHER, Plain, 5/16
9	161260	2	RING, Retaining
10	118252	2	WASHER, Special
11	1663837	2	WHEEL & TIRE ASSY.
12	161167	2	STUD
13	161259	1	PLATE
14	161176	1	SPRING
15	161166	1	BOLT, Shoulder



NOTE: Use standard hardware torque spec. chart unless otherwise noted.

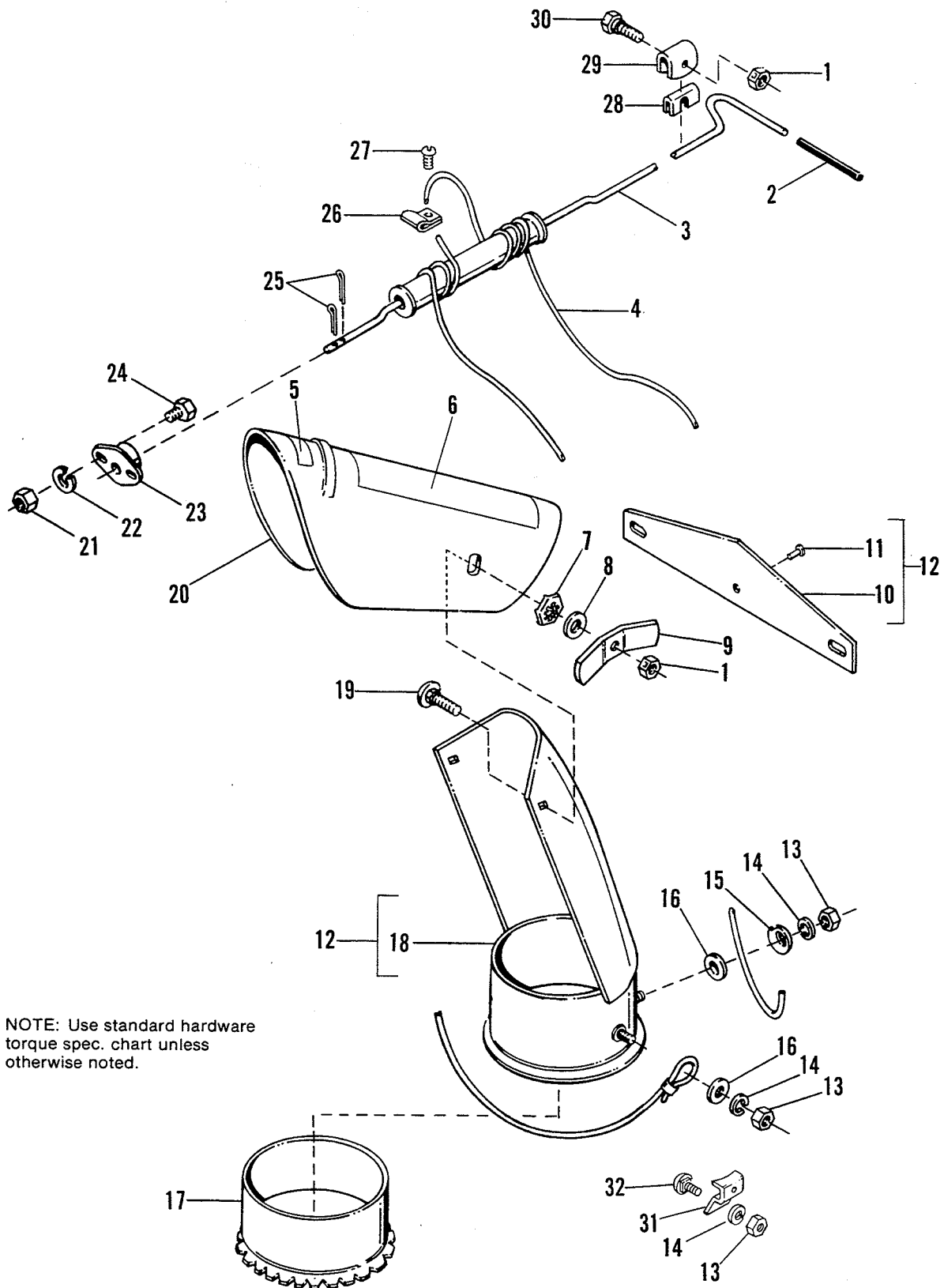


Ref. No.	Part No.	Qty.	Description
1	118053	1	PIN
2	918196	1	CLIP, Spring
3	161161	2	WHEEL & TIRE ASSY.
4	158396	2	RING, Retaining
5	153088	2	WASHER
6	930651	2	LOCKNUT, Hex, 3/8-16
7	917642	2	WASHER, Plain, 5/16
8	161167	2	STUD
9	161168	1	PLATE
10	161176	1	SPRING
11	161166	1	BOLT, Shoulder



NOTE: Use standard hardware torque spec. chart unless otherwise noted.

Ref. No.	Part No.	Qty.	Description
1	1656883	2	VALVE, Cap
2	170780	2	TUBE
3	1657568	2	TIRE
4	1656878	2	WHEEL & HUB ASSY.
5	918196	1	CLIP, Spring
6	1657463	1	PIN
7	930651	2	LOCKNUT, Hex, 3/8-16
8	917642	2	WASHER, Plain, 5/16
9	161260	2	RING, Retaining
10	118252	2	WASHER, Special
11	1657569	2	WHEELS & TIRE ASSY.
12	161167	2	STUD
13	161259	1	PLATE
14	161176	1	SPRING
15	161166	1	BOLT, Shoulder



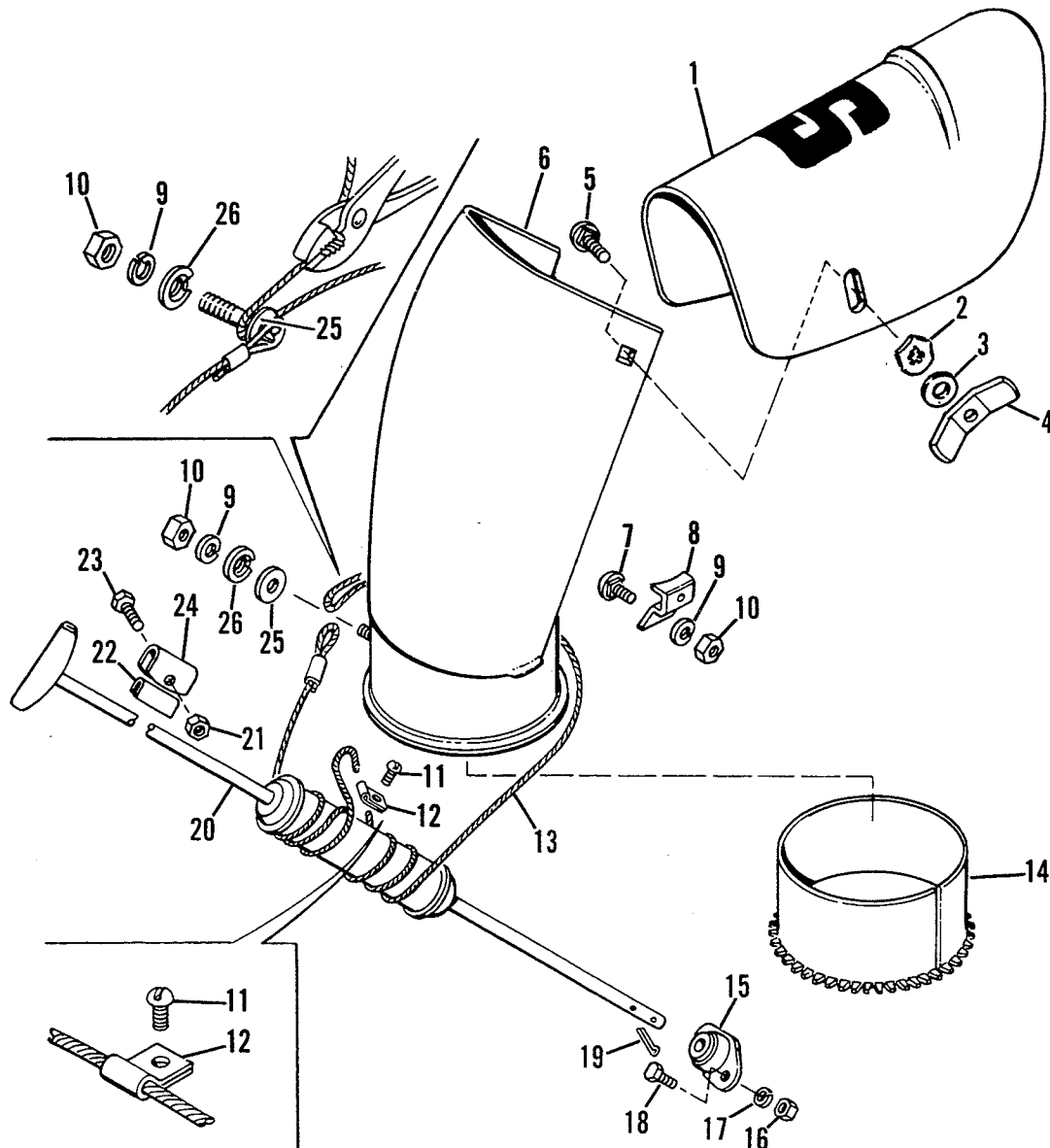
NOTE: Use standard hardware torque spec. chart unless otherwise noted.

Ref. No.	Part No.	Qty.	Description
1	923362	3	LOCKNUT, Hex, 5/16-18 (Qty. 1 used on 990796, 990869 & 990870)
2	176933	1	GRIP, Handle
3	1657858	1	ROD ASSY., Spout Control
	1657859	1	ROD ASSY., Spout Control (1690378 Only)
4	171362	1	CABLE ASSY.
*5	1656950	2	DECAL, Warning
*6	1654682	1	DECAL, Safety
*7	928710	2	LOCKWASHER, Pyramdial Type, 3/8
	930655	2	LOCKWASHER, Dished Type, 3/8
8	917642	2	WASHER, Plain, 5/16
9	106229	2	WINGNUT
****10	1656583	1	DEFLECTOR, Snow
****11	924799	1	RIVET, 1/8 Dia.
****12	1664952	1	SPOUT ASSY., W/Deflector
13	917372	4	NUT, Hex, Full, 5/16-18 (Qty. 2 used on 1690305 & 1690378 Only)
14	917356	4	LOCKWASHER, 5/16 (Qty. 2 on 1690305 & 1690378 Only)
15	171379	1	WASHER, Cup
16	917377	2	WASHER, Plain, 1/4
17	161280	1	LINER
	161281	1	LINER (1690378 Only)
****18	1664951	1	SPOUT ASSY.
	106762	1	SPOUT ASSY.
19	920562	2	BOLT, Carriage, 5/16-18 x 3/4
20	106760	1	EXTENSION, Spout
21	916622	2	NUT, Hex, Full, 1/4-20
22	916964	2	LOCKWASHER, 1/4
23	171388	1	BEARING
24	921958	2	CAPSCREW, Hex Hd., 1/4-20 x 1/2
25	918451	2	PIN, Cotter, 1/8 x 3/4
26	171382	1	CLAMP
27	927428	1	SCREW, Taptite, 1/4-20 x 3/8
28	121175	1	LINER
29	152050	1	GUIDE, Rod
30	921977	1	CAPSCREW, Hex Hd., 5/16-18 x 1-1/4
**31	106893	2	PLATE, Hold Down
**32	923346	2	BOLT, Carriage, 5/16-18 x 3/4

\*Used on Mfg. No. 990796, 990869, 990870, 1690209, 1690255, 1690305.

\*\*Used on Mfg. No. 990996, 990869, 990870, 1690209, 1690255, 1690379, 1690380, 1690422.

\*\*\*Used on Mfg. No. 1690209, 1690255, 1690305, 1690378, 1690379, 1690380 & 1690442.



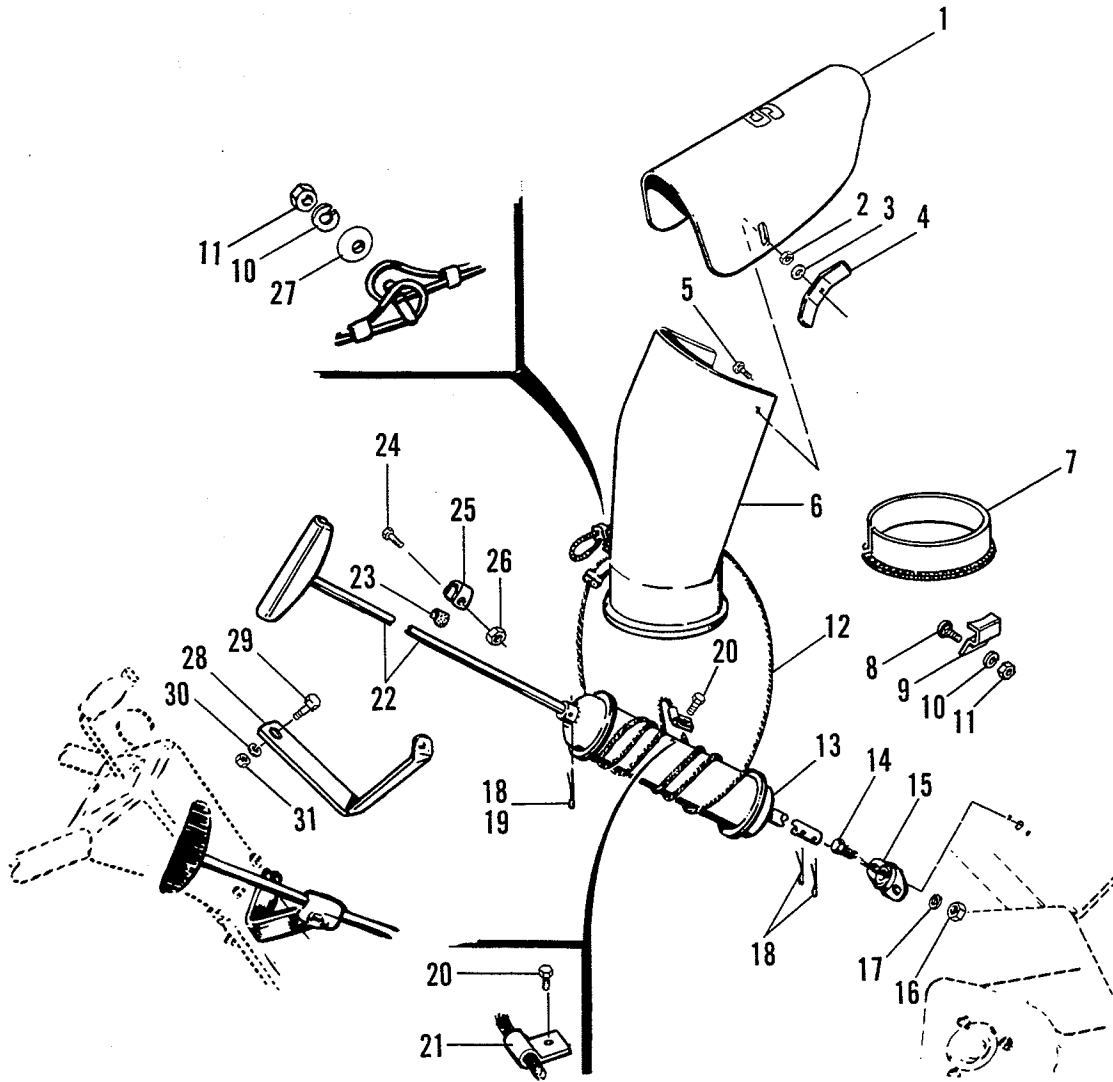
NOTE: Use standard hardware torque spec. chart unless otherwise noted.

## Spout Group

**Simplicity**

2/80

Ref. No.	Part No.	Qty.	Description
1	106760	1	EXTENSION, Spout
2	928710	2	LOCKWASHER, Pyramdial Type, 3/8
3	917378	2	WASHER, Plain, 3/8
4	106229	2	WINGNUT
5	920562	2	BOLT, Carriage, 5/16-18 x 3/4
6	106762	1	SPOUT ASSY.
7	923346	2	BOLT, Carriage, 5/16-18 x 3/4
8	106893	2	PLATE, Hold Down
9	917356	3	LOCKWASHER, 5/16
10	917372	3	NUT, Hex, Full, 5/16-18
11	927428	1	SCREW, Hex, Taptite, 1/4-20 x 3/8
12	171382	1	CLAMP
13	171362	1	CABLE ASSY.
14	161280	1	LINER
15	171388	1	BEARING
16	916622	2	NUT, Hex, Full, 1/4-20
17	916964	2	LOCKWASHER, 1/4
18	921959	2	CAPSCREW, Hex Hd., 1/4-20 x 5/8
19	918451	2	PIN, Cotter, 1/8 x 3/4
20	171383	1	TUBE ASSY., Spout Control
21	923362	1	LOCKNUT, Hex, 5/16-18
22	121175	1	LINER
23	921977	1	CAPSCREW, Hex Hd., 5/16-18 x 1-1/4
24	152050	1	GUIDE, Rod
25	917377	1	WASHER, Plain, 1/4
26	171379	1	CUP, Washer



NOTE: Use standard hardware torque spec. chart unless otherwise noted.

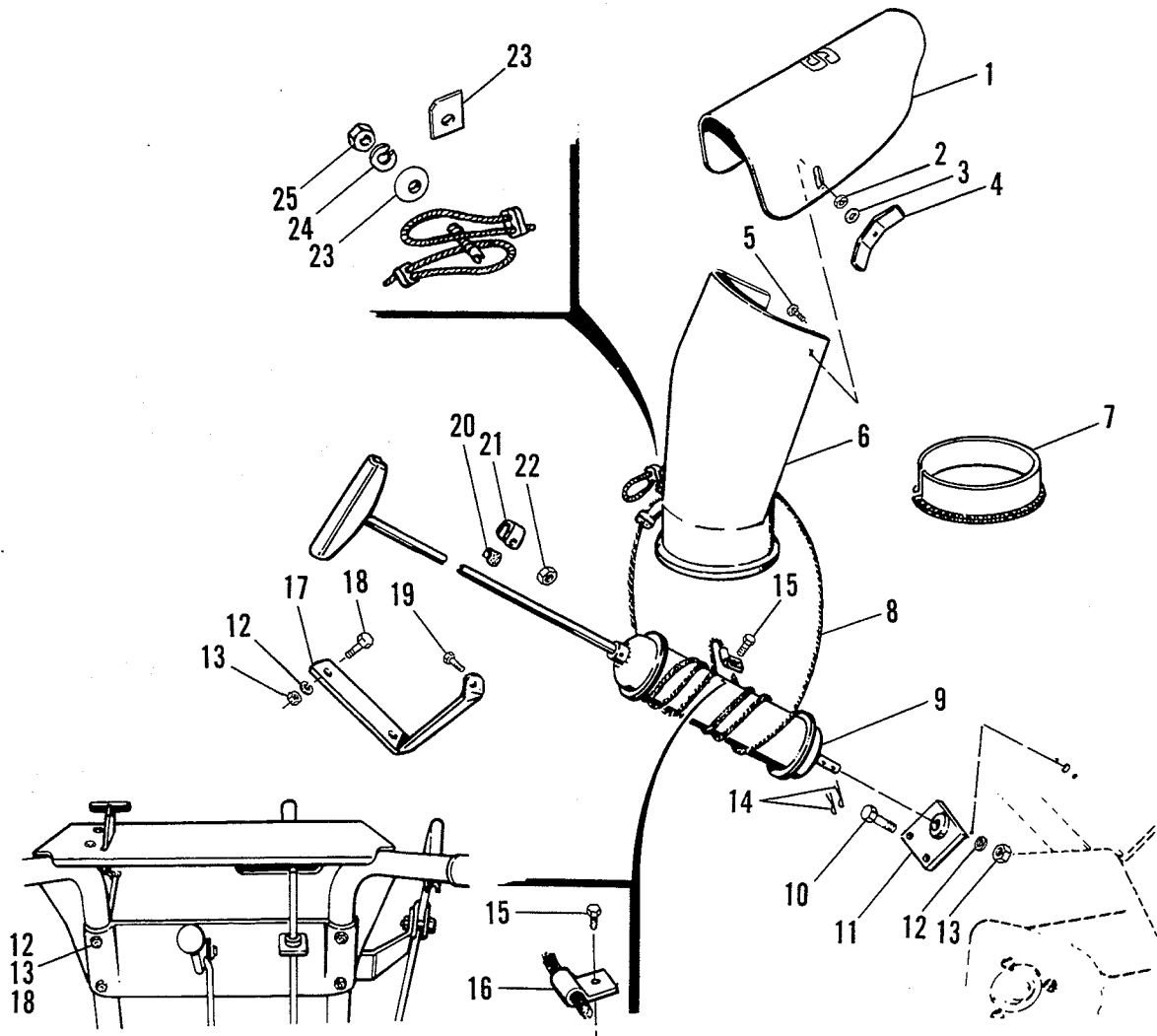


## Spout Group

**Simplicity**

2/80

Ref. No.	Part No.	Qty.	Description
1	106760	1	EXTENSION, Spout
2	928710	2	LOCKWASHER, Pyramdial Type, 3/8
3	917378	2	WASHER, Plain, 3/8
4	106229	2	WINGNUT
5	920562	2	BOLT, Carriage, 5/16-18 x 3/4
6	106762	1	SPOUT ASSY.
7	161280	1	LINER
8	923346	2	BOLT, Carriage, 5/16-18 x 3/4
9	106893	2	PLATE, Hold Down
10	917356	3	LOCKWASHER, 5/16
11	917372	3	NUT, Hex, Full, 5/16-18
12	103284	1	CABLE ASSY., Kit
13	106950	1	TUBE ASSY., Spout Control
14	921959	2	CAPSCREW, Hex Hd., 1/4-20 x 5/8
15	171388	1	BEARING
16	916622	2	NUT, Hex, Full, 1/4-20
17	916964	2	LOCKWASHER, 1/4
18	918451	3	PIN, Cotter, 1/8 x 3/4 (990551, 990558 & 990559 Only)
	922000	2	PIN, Cotter, 3/32 x 5/8 (990482 & 990483 Only)
19	918455	1	PIN, Cotter, 5/32 x 1 (990482 & 990483 Only)
20	927428	1	SCREW, Taptite, 1/4-20 x 3/8
21	154247	1	CLAMP
22	106951	1	HANDLE ASSY.
23	121175	1	LINER
24	921977	1	CAPSCREW, Hex Hd., 5/16-18 x 1-1/4
25	152050	1	GUIDE, Rod
26	923362	1	LOCKNUT, Hex, 5/16-18
27	106785	1	CUP, Washer
28	106521	1	SUPPORT, Spout Adjusting Rod (990482, 990483, 990558 & 990559 Only)
29	919316	2	CAPSCREW, Hex Hd., 1/4-20 x 1-3/4 (990482, 990483, 990558 & 990559 Only)
30	916964	2	LOCKWASHER, 1/4 (990482, 990483, 990558 & 990559 Only)
31	916622	2	NUT, Hex, Full, 1/4-20 (990482, 990483, 990558 & 990559 Only)

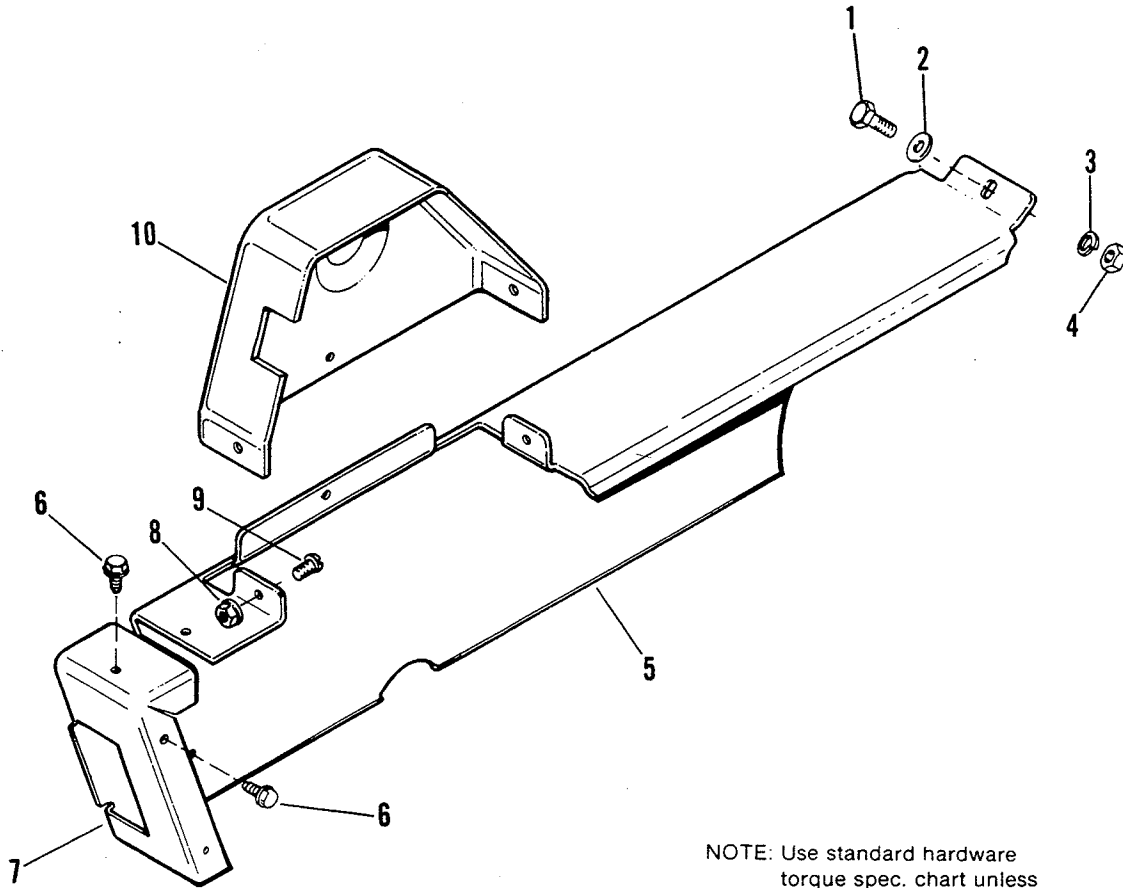


NOTE: Use standard hardware torque spec. chart unless otherwise noted.

## Spout Group

2/80

Ref. No.	Part No.	Qty.	Description
1	106489	1	EXTENSION, Spout
2	928710	2	LOCKWASHER, Pyramdial Type, 3/8
3	917378	2	WASHER, Plain, 3/8
4	106229	2	WINGNUT
5	920562	2	BOLT, Carriage, 5/16-18 x 3/4
6	161099	1	SPOUT ASSY.
7	161281	1	LINER (990430 & 990560 Only)
8	161133	1	CABLE ASSY. (990430 & 990560 Only)
	161118	1	CORD, Spout (990372 Only)
9	176073	1	TUBE ASSY., Spout Control
10	921959	2	CAPSCREW, Hex Hd., 1/4-20 x 5/8
11	106551	1	BEARING
12	916964	4	LOCKWASHER, 1/4
13	916622	4	NUT, Hex, Full, 1/4-20
14	918451	2	PIN, Cotter, 1/8 x 3/4
15	927428	1	SCREW, Taptite, 1/4-20 x 3/8
16	154247	1	CLAMP
17	161101	1	SUPPORT, Spout Adjusting Rod
18	919316	2	CAPSCREW, Hex Hd., 1/4-20 x 1-3/4
19	921977	1	CAPSCREW, Hex Hd., 5/16-18 x 1-1/4
20	121175	1	LINER
21	152050	1	GUIDE, Rod (990430 & 990560 Only)
	106221	1	GUIDE, Rod (990372 Only)
22	923362	1	LOCKNUT, Hex, 5/16-18
23	106785	1	WASHER, Cup (990430 & 990560 Only)
	161114	1	PLATE, Friction (990372 Only)
24	917356	1	LOCKWASHER, 5/16
25	917372	1	NUT, Hex, Full, 5/16-18



NOTE: Use standard hardware torque spec. chart unless otherwise noted.

## Shield Group

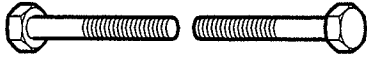
2/80

<b>Ref. No.</b>	<b>Part No.</b>	<b>Qty.</b>	<b>Description</b>
1	921958	1	CAPSCREW, Hex Hd., 1/4-20 x 1/2
2	917377	1	WASHER, Plain, 1/4
3	916964	1	LOCKWASHER, 1/4
4	916622	1	NUT, Hex, Full, 1/4-20
5	170755	1	COVER ASSY., Belt, Lower
6	927428	5	SCREW, Hex, Taptite, 1/4-20 x 3/8
7	161258	1	SUPPORT, Belt Cover
8	930641	3	NUT, Hex, Flange, Whizlock, 1/4-20
9	926025	3	SCREW, Rd. Hd., 1/4-20 x 1/2
10	1664494	1	COVER ASSY., Belt, Top

# Hardware Identification & Torque Specifications

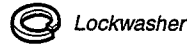
## Common Hardware Types

Hex Head Capscrew



Washer

Carriage Bolt



Lockwasher



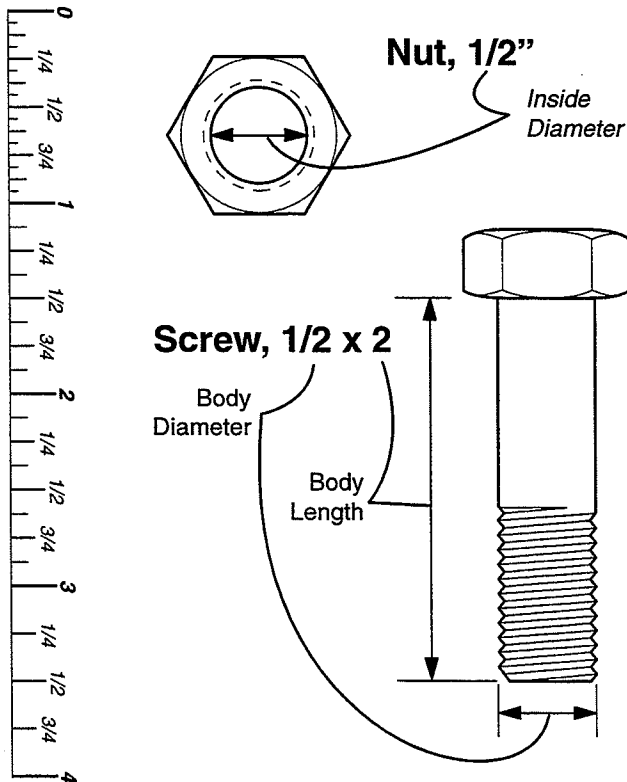
Hex Nut

## Standard Hardware Sizing

When a washer or nut is identified as 1/2", this is the *Nominal size*, meaning the *inside diameter* is 1/2 inch; if a second number is present it represents the *threads per inch*

When bolt or capscrew is identified as 1/2 - 16 x 2", this means the *Nominal size*, or *body diameter* is 1/2 inch; the second number represents the *threads per inch* (16 in this example, and the final number is the *body length* of the bolt or screw (in this example 2 inches long).

*The guides and ruler furnished below are designed to help you select the appropriate hardware and tools.*



Torque Specification Chart						
FOR STANDARD MACHINE HARDWARE (Tolerance ± 20%)						
Hardware Grade	No Marks SAE Grade 2		SAE Grade 5		SAE Grade 8	
	in/lbs ft/lbs	Nm.	in/lbs ft/lbs	Nm.	in/lbs ft/lbs	Nm.
8-32	19	2.1	30	3.4	41	4.6
8-36	20	2.3	31	3.5	43	4.9
10-24	27	3.1	43	4.9	60	6.8
10-32	31	3.5	49	5.5	68	7.7
1/4-20	66	7.6	8	10.9	12	16.3
1/4-28	76	8.6	10	13.6	14	19.0
5/16-18	11	15.0	17	23.1	25	34.0
5/16-24	12	16.3	19	25.8	27	34.0
3/8-16	20	27.2	30	40.8	45	61.2
3/8-24	23	31.3	35	47.6	50	68.0
7/16-14	30	40.8	50	68.0	70	95.2
7/16-20	35	47.6	55	74.8	80	108.8
1/2-13	50	68.0	75	102.0	110	149.6
1/2-20	55	74.8	90	122.4	120	163.2
9/16-12	65	88.4	110	149.6	150	204.0
9/16-18	75	102.0	120	163.2	170	231.2
5/8-11	90	122.4	150	204.0	220	299.2
5/8-18	100	136	180	244.8	240	326.4
3/4-10	160	217.6	260	353.6	386	525.0
3/4-16	180	244.8	300	408.0	420	571.2
7/8-9	140	190.4	400	544.0	600	816.0
7/8-14	155	210.8	440	598.4	660	897.6
1-8	220	299.2	580	788.8	900	1,244.0
1-12	240	326.4	640	870.4	1,000	1,360.0

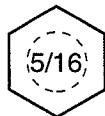
### NOTES

- These torque values are to be used for all hardware excluding: locknuts, self-tapping screws, thread forming screws, sheet metal screws and socket head setscrews.
- Recommended seating torque values for locknuts:
  - for prevailing torque locknuts - use 65% of grade 5 torques.
  - for flange whizlock nuts and screws - use 135% of grade 5 torques.
- Unless otherwise noted on assembly drawings, all torque values must meet this specification.

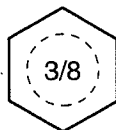
## Wrench & Fastener Size Guide



1/4" Bolt or Nut  
Wrench—7/16"



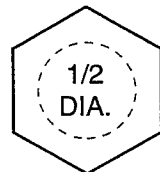
5/16" Bolt or Nut  
Wrench—1/2"



3/8" Bolt or Nut  
Wrench—9/16"



7/16" Bolt or Nut  
Wrench (Bolt)—5/8"  
Wrench (Nut)—11/16"



1/2" Bolt or Nut  
Wrench—3/4"



***Simplicity***

MANUFACTURING, INC.

---

500 N Spring Street / PO Box 997  
Port Washington, WI 53074-0997 USA

© Copyright 1986 Simplicity Manufacturing, Inc.  
All Rights Reserved. Printed In USA.