



Parts Manual



Large Frame Two-Stage Series Snowthrowers

26" Auger Path

Mfg. No. Description

1695326 L1226E, 11.0GT 26" Snowthrower

1695327 L1226E, 11.0GT 26" Snowthrower (CE/Export)

28" Auger Path

Mfg. No. Description

1695330 L1428E, 13.5GT 28" Snowthrower

1695331 L1428EX, 13.5GT 28" Snowthrower (CE/Export)

30" Auger Path

Mfg. No. Description

1695334 L1530E, 14.5GT 30" Snowthrower

1695335 L1530EX, 14.5GT 30" Snowthrower (CE/Export)

32" Auger Path

Mfg. No. Description

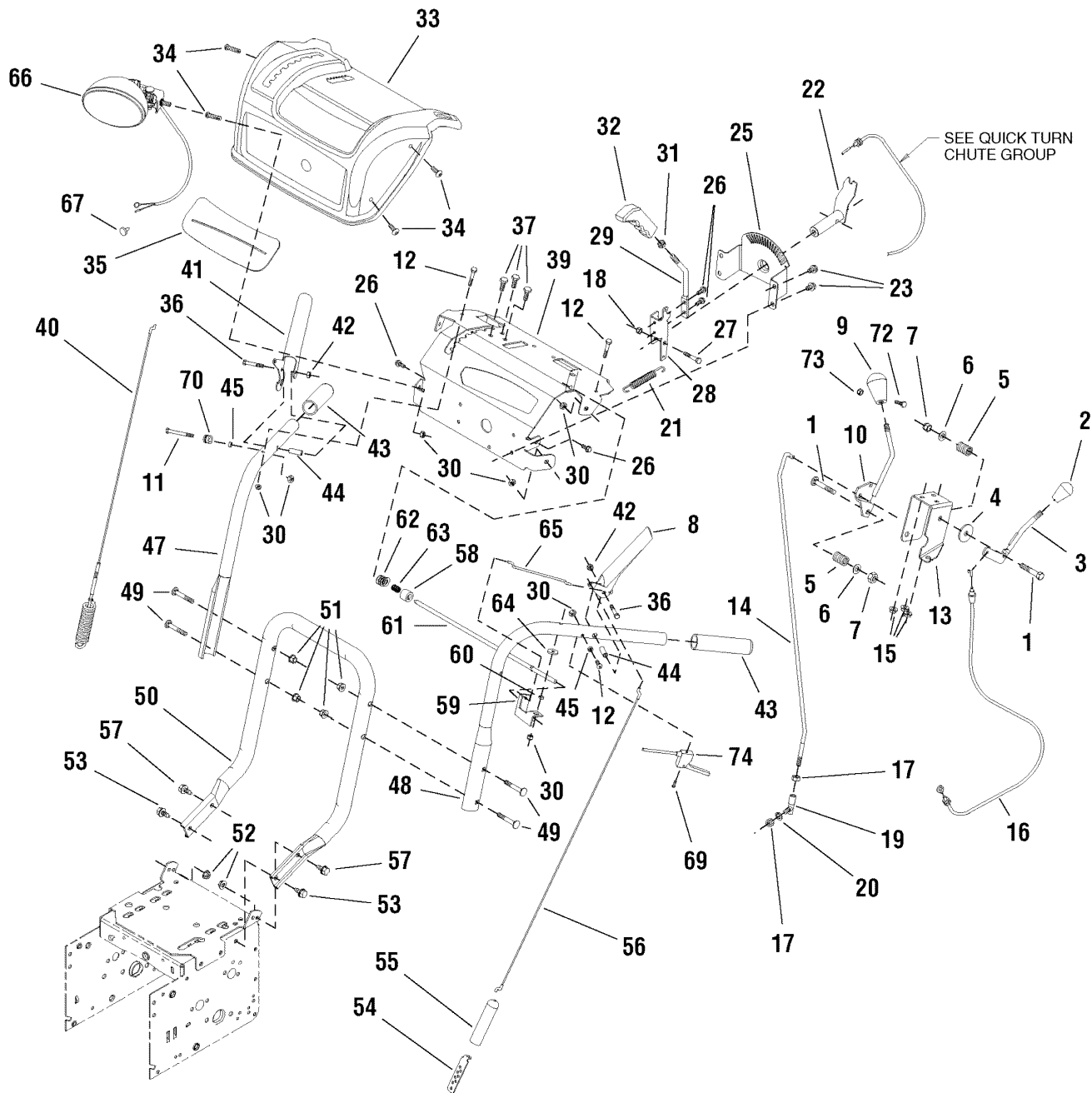
1695338 L1632E, 15.5GT 32" Snowthrower

PRODUCT COMPONENTS	PAGES
Handle & Controls Group	4
Engine & Frame Group	8
Auger Drive Group	12
Auger Housing & Chute Group	14
Traction Drive Group - EZ Turn	18
Traction Drive Group - Standard	22
Wheel & Tire Group	24
Decal Group	26
Torque Specification Chart	Inside Back Cover

Handle & Controls Group

987755

NOTE: Unless noted otherwise,
use the standard hardware torque
specification chart.



The above parts group applies to the following Mfg. Nos.:

- | | |
|-------------------|-------------------|
| 1695326 - L1226E | 1695335 - L1530EX |
| 1695327 - L1226E | 1695338 - L1632E |
| 1695330 - L1428E | |
| 1695331 - L1428EX | |
| 1695334 - L1530E | |

Handle & Controls Group

REF NO	PART NO.	QTY.	DESCRIPTION
1	1923701SM	2	CAPSCREW, Hex Head 3/8-16 x 2 G5
2	1732470SM	1	KNOB, Interior Thread 3/8-16
3	1732427SM	1	ROD, 3/8 Diameter 5" Large, 3/8-16 x 1 Chute
4	1924356SM	1	WASHER, 3/8
5	50786MA	2	SPRING
6	1918266SM	2	WASHER, 3/8
7	1919439SM	2	NUT, Hex Lock ESNA Light 3/8-16
8	1722667SM	1	HANDLE, Clutch L.H.
9	1733192SM	1	KNOB, Slot Speed
10	1733205SM	1	ROD & PLATE ASSEMBLY, Speed Control
11	1923282SM	1	CAPSCREW, Hex Head 1/4-20 x 2-1/2 G5
12	1921962SM	3	CAPSCREW, Hex Head 1/4-20 x 1-3/4 G5
13	1733045ASM	1	BRACKET, Trac & Deflector Control
14	1734354SM	1	ROD
15	1931277SM	3	NUT, Hex Flange 5/16-18, Whiz Lock Small
16	1732971SM	1	CABLE, Deflector Control
17	2820263SM	2	NUT, Hex 5/16-24
18	1960608SM	1	NUT, Hex Flange 1/4-20 Centerlock Large
19	50782MA	1	BALLJOINT, Steel
20	1917356SM	1	LOCKWASHER, Spring 5/16
21	1732970SM	1	SPRING, Extension
22	1732365SM	1	TUBE & BRACKET ASSEMBLY, Cable Support
23	1924856SM	4	SCREW, Hex Washer Head Taptite 5/16-18 x 1/2
25	1732364SM	1	SUPPORT, Chute Control 14GA
26	1927429SM	4	SCREW, Hex Washer Head Taptite 1/4-20 x 5/8
27	1732944SM	1	BOLT, Shoulder 1/4-20
28	1733142SM	1	BRACKET, Support Quick Turn
29	1732369SM	1	ROD, Chute
30	1920397SM	8	NUT, Hex Lock ESNA Light 1/4-20
31	1917421SM	1	NUT, Hex Jam 3/8-16
32	306689MA	1	GRIP, Lever
33	1733777CSM	1	COVER, Panel
34	1960715SM	4	SCREW, Truss Head Torx Drive 1/4-20 x 3/4
35	1733204SM	1	BELLOWS, Black Rubber Quick Turn
36	1922837SM	2	CAPSCREW, Hex Head 1/4-20 x 1-1/2 G5
37	1931333SM	3	CARRIAGE BOLT, 5/16-18 x 3/4 G5
39	1732064ASM	1	SUPPORT, Dash Panel Cover
40	1732471SM	1	CABLE & SPRING ASSEMBLY, Auger Drive R.H.
41	1722638SM	1	HANDLE, Clutch R.H.
42	1923358SM	2	NUT, Hex Centerlock 1/4-20
43	1726317SM	2	GRIP
44	1715655SM	2	SPACER
45	1678392SM	2	SPACER
47	1734587ASM	1	HANDLE, Upper R.H.

Footnotes

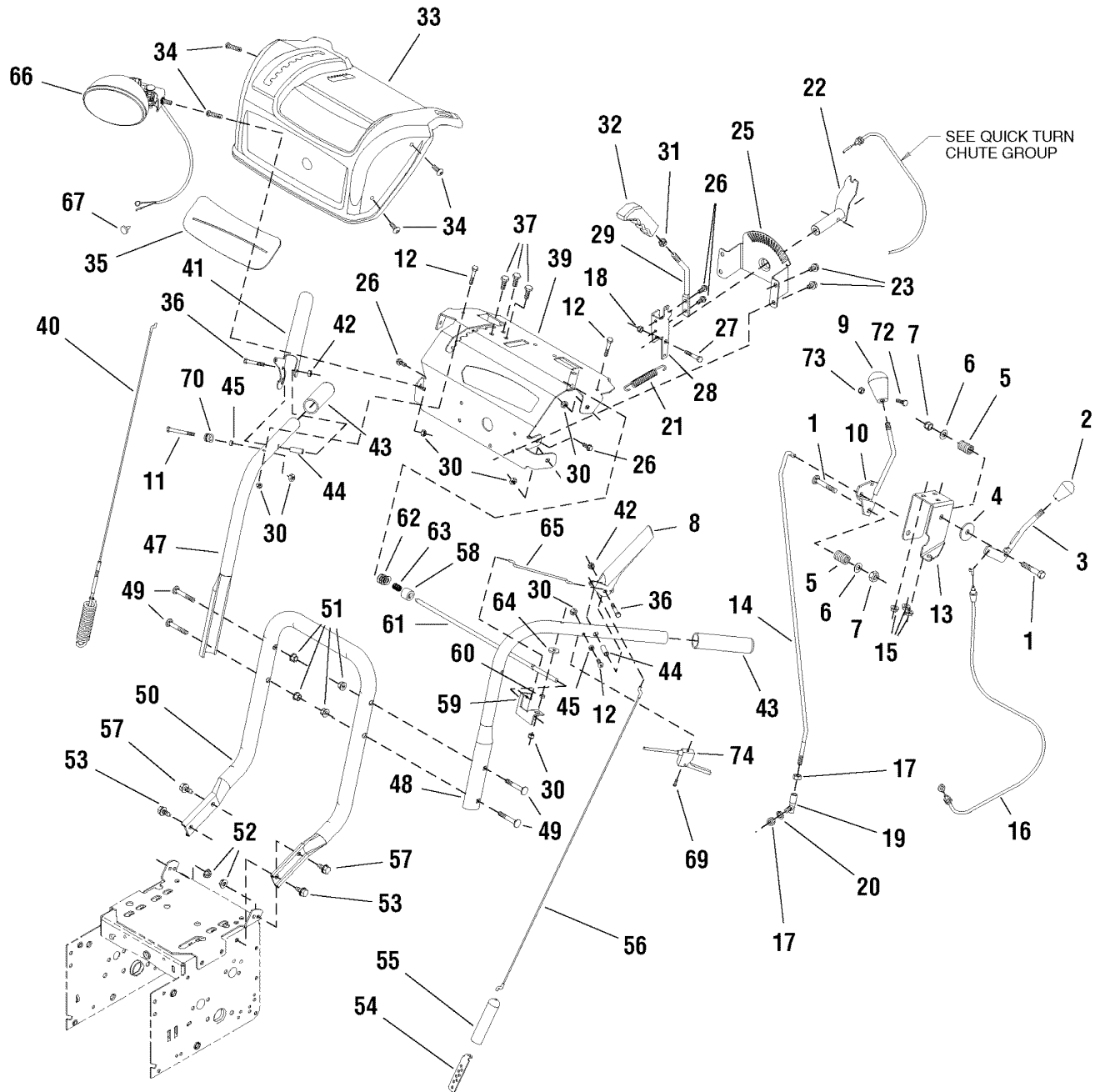
The above parts group applies to the following Mfg. Nos.:

1695326 - L1226E
 1695327 - L1226E
 1695330 - L1428E
 1695331 - L1428EX
 1695334 - L1530E
 1695335 - L1530EX
 1695338 - L1632E

Handle & Controls Group

987755

NOTE: Unless noted otherwise,
use the standard hardware torque
specification chart.



The above parts group applies to the following Mfg. Nos.:

- | | |
|-------------------|-------------------|
| 1695326 - L1226E | 1695335 - L1530EX |
| 1695327 - L1226E | 1695338 - L1632E |
| 1695330 - L1428E | |
| 1695331 - L1428EX | |
| 1695334 - L1530E | |

Handle & Controls Group

REF NO	PART NO.	QTY.	DESCRIPTION
48	1734586ASM	1	HANDLE, Upper L.H.
49	1960723SM	4	CARRIAGE BOLT, 5/16-18 x 2-1/4 G5
50	1732781ASM	1	HANDLE, Lower
51	1960686SM	4	NUT, Hex Flange 5/16-18
52	1935048SM	2	NUT, Hex Flange 5/16-18 Two-Way Lock
53	1664847SM	2	SCREW, Hex Washer Head Taptite 5/16-18 x 3/4
54	313441MA	1	BRACKET, Cable Adjusting
55	308146MA	1	BOOT, Spring End Cover
56	1502113MA	1	CABLE,
57	1921333SM	2	CAPSCREW, Hex Head 5/16-18 x 1 G5
58	1679166SM	1	SPACER, Powdered Metal
59	1733505ASM	1	BRACKET, Free Hand Control 12GA
60	1733095SM	1	SPACER, Powdered Metal
61	1733509SM	1	ROD & SPRING ASSEMBLY, w/Pin
62	1960027SM	4	WASHER, 1/2
63	2108360SM	1	SPRING, Compression
64	1960353SM	1	WASHER, 1/4
65	1722630SM	1	ROD, Hold Down E-Coat
66	1732321SM	1	HEADLIGHT ASSEMBLY, Oval Amber (Only used on models w/light)
67	1704351SM	5	FASTENER, Panel
69	1725702SM	1	SCREW, Pan Head Torx #10 x 1/2 Thick Cut (Only used on models w/EZ-Turn)
70	579860MA	1	SPOOL CABLE, Auger Control
72	1960589SM	1	SCREW, Round Head Phillips #10-24 x 3/4
73	1933896SM	1	NUT, Hex Lock 10-24 w/Nylon Insert
74	1718791SM	1	CABLE & HANDLE ASSEMBLY (Only used on models w/EZ-Turn)

Footnotes

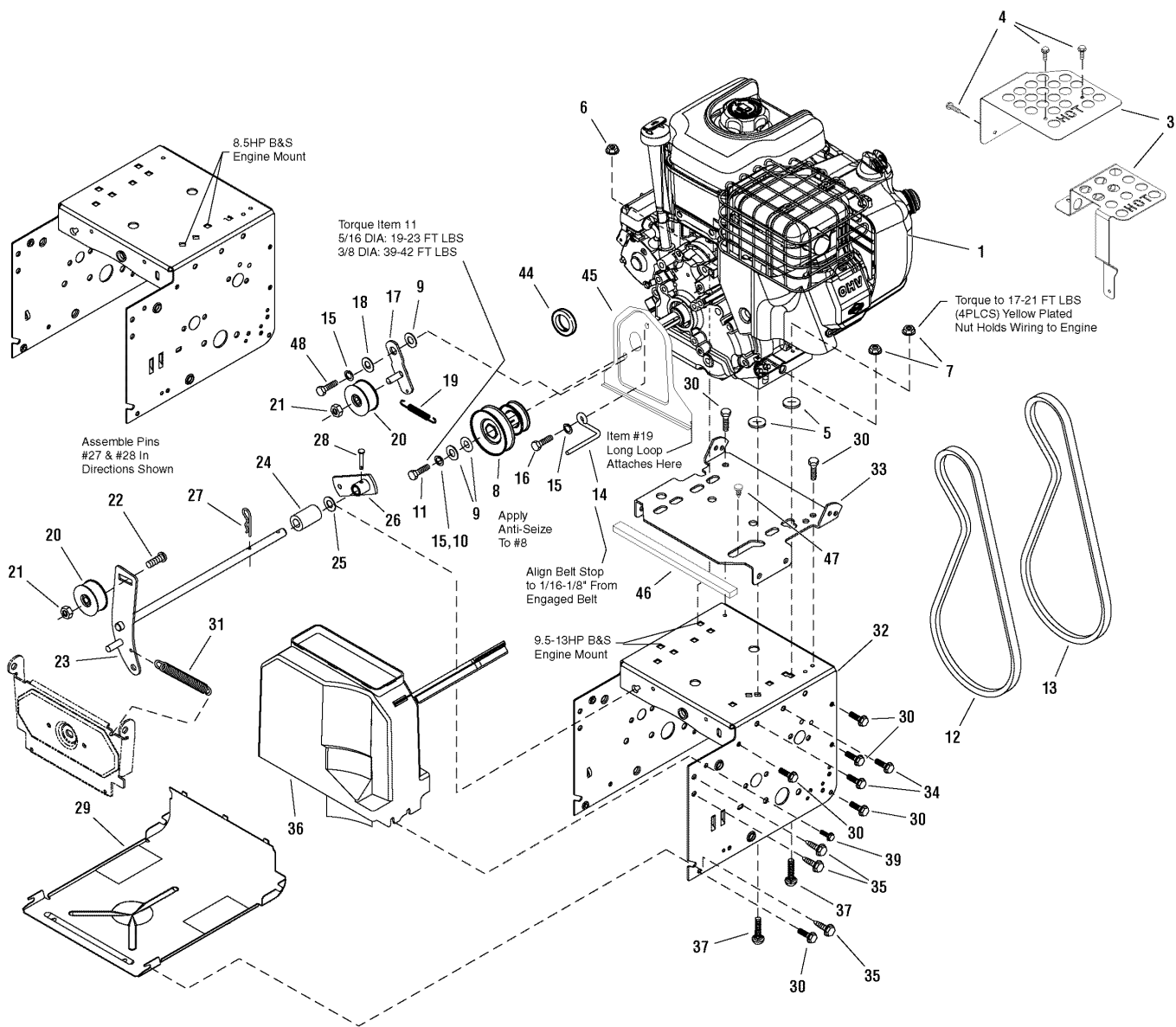
The above parts group applies to the following Mfg. Nos.:

1695326 - L1226E	1695335 - L1530EX
1695327 - L1226E	1695338 - L1632E
1695330 - L1428E	
1695331 - L1428EX	
1695334 - L1530E	

Engine & Frame Group

987791

NOTE: Unless noted otherwise, use the standard hardware torque specification chart.



The above parts group applies to the following Mfg. Nos.:

- | | |
|-------------------|-------------------|
| 1695326 - L1226E | 1695335 - L1530EX |
| 1695327 - L1226E | 1695338 - L1632E |
| 1695330 - L1428E | |
| 1695331 - L1428EX | |
| 1695334 - L1530E | |

Engine & Frame Group

REF NO	PART NO.	QTY.	DESCRIPTION
1	*	1	ENGINE, 11.5HP B&S - Model #21C2140132E1
1	*	1	ENGINE, 10.5HP B&S - Model #20E2140118E1
1	*	1	ENGINE, 9.5HP B&S - Model #20A4140117E1
1	*	1	ENGINE, 8.5HP B&S - Model #15C1140112E1
1	*	1	ENGINE, 8.5HP B&S - Model #15C1140111E1 (CE/Export)
1	*	1	ENGINE, 9.5HP B&S - Model #20A4140119E1 (CE/Export)
1	*	1	ENGINE, 10.5HP B&S - Model #20E2140113E1 (CE/Export)
2	1724064SM	1	CORD, Electric Start (Only used on Domestic Models)
3	1734698SM	1	GUARD, Muffler (Only used on 9.5, 10.5, 11.5HP Domestic Models)
3	1734732SM	1	GUARD, Muffler (Only used on 8.5HP Domestic Models)
4	1929477SM	3	SCREW, Hex Washer Head Taptite #10 x 1/2 (Only used on Domestic Models)
5	028X76MA	4	NUT, Push for 1/4 Diameter Thread
6	2831277SM	1	NUT, Hex Flange 5/16-18 Whiz Lock Small
7	1960686SM	3	NUT, Hex Flange 5/16-18 Esna
8	1501109MA	1	PULLEY, Engine
9	1922755SM	2	WASHER, 3/8 (Used on all models except 8.5HP)
9	1919381SM	1/3	WASHER, 5/16 (Quantity 3 used on 8.5HP Models)
10	1916965SM	1	LOCKWASHER, Spring 3/8 (Used on all models except 8.5HP)
11	1960428SM	1	CAPSCREW, Hex Head 3/8-24 x 1-1/4 G8 (Used on all models except 8.5HP)
11	1921982SM	1	CAPSCREW, Hex Head 5/16-24 x 1-1/4 G8 (Only used on 8.5HP Models)
12	1733324SM	1	V-BELT, 3L, 33.13 Drive
13	1733507SM	1	V-BELT, 4L, 38.5 Auger (Only used on 10.5HP & 11.5HP Models)
13	1733051SM	1	V-BELT, 4L, 36.5 Auger (Only used on 8.5HP & 9.5HP Models)
14	1733014SM	1	STOP, Belt
15	1917356SM	3	LOCKWASHER, Spring 5/16 (8.5HP Models use Quantity 4)
16	1921515SM	2	CAPSCREW, Hex Head 5/16-24 x 3/4 G5
17	1501112YZMA	1	BRACKET & WELD PIN ASSEMBLY, Idler
18	1501065MA	1	BUSHING, Idler Bracket
19	53704MA	1	SPRING, Extension Idler
20	1502120MA	2	IDLER, Plastic Ball Bearing
21	1960251SM	2	NUT, Hex Centerlock Jaam 3/8-16
22	585781MA	1	CARRIAGE BOLT, 3/8-16 x 1-1/4 G5
23	1501226YZMA	1	IDLER, Auger Assembly (Only used on 10.5HP & 11.5HP Models)
23	1733055SM	1	IDLER, Auger Assembly (Only used on 8.5HP & 9.5HP Models)
24	1501200MA	1	SPACER
25	1960027SM	1	WASHER, 1/2
26	1733451SM	1	ARM, Control Powdered Metal
27	711682MA	1	PIN, Hair
28	1735135SM	1	PIN, Clevis
29	1740906ASM	1	PANEL, Bottom
30	1927429SM	12	SCREW, Hex Washer Head Taptite 1/4-20 x 5/8
31	165X159MA	1	SPRING, Extension Auger Idler
32	1733154CSM	1	FRAME, EZ Turn Axle (Used on all models except 8.5HP)

Footnotes

Note* See your local Briggs & Stratton distributor for parts & service.

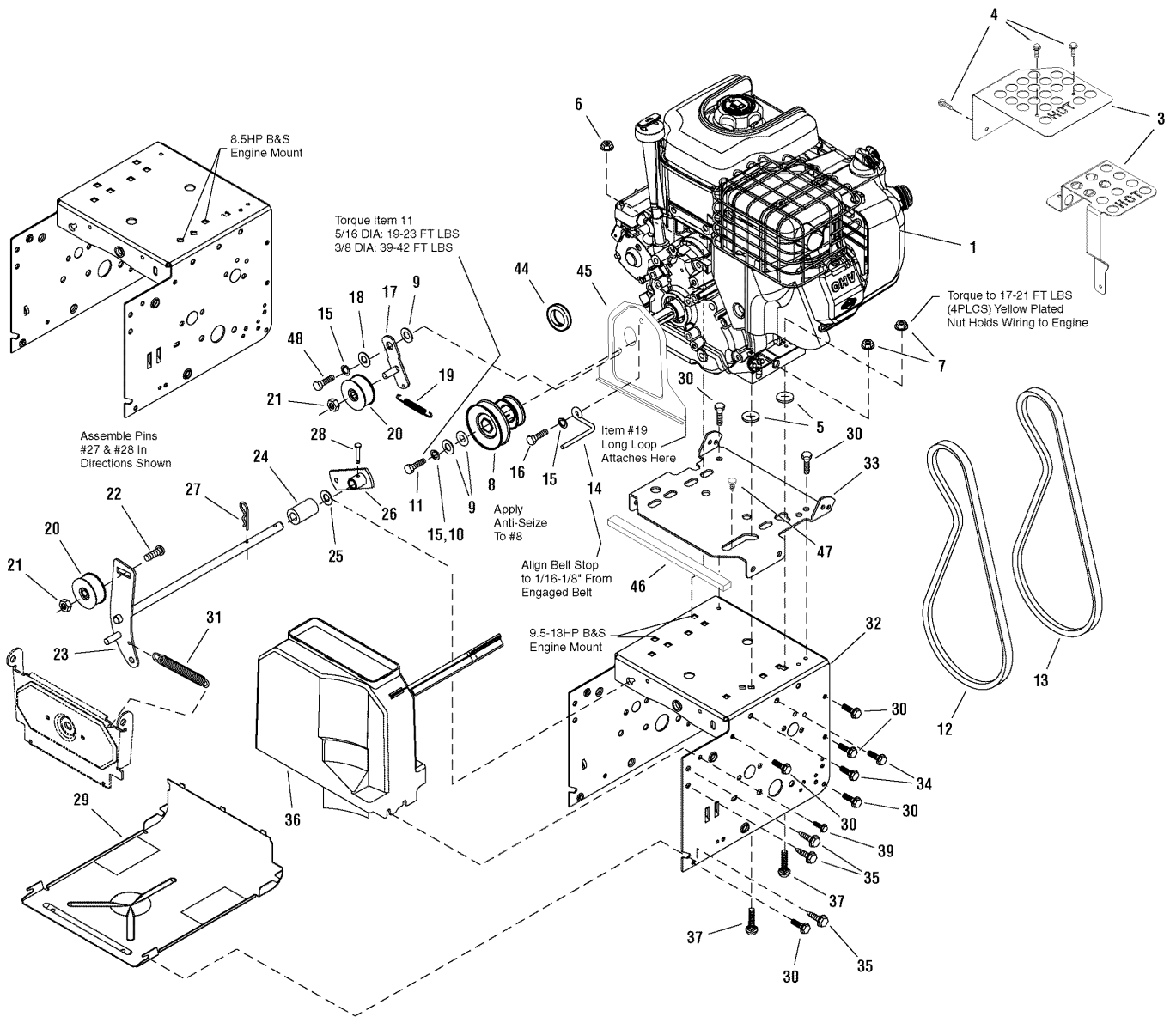
The above parts group applies to the following Mfg. Nos.:

1695326 - L1226E
 1695327 - L1226E
 1695330 - L1428E
 1695331 - L1428EX
 1695334 - L1530E
 1695335 - L1530EX
 1695338 - L1632E

Engine & Frame Group

987791

NOTE: Unless noted otherwise, use the standard hardware torque specification chart.



The above parts group applies to the following Mfg. Nos.:

- 1695326 - L1226E
- 1695327 - L1226E
- 1695330 - L1428E
- 1695331 - L1428EX
- 1695334 - L1530E
- 1695335 - L1530EX
- 1695338 - L1632E

Engine & Frame Group

REF NO	PART NO.	QTY.	DESCRIPTION
32	1501050E701MA1		FRAME, 7.5-8.5HP B&S (Only used on 8.5HP Models)
33	1733583CSM	1	PLATE, Engine Mount 11GA
34	1924856SM	4	SCREW, Hex Washer Head Taptite 5/16-18 x 1/2
35	1664847SM	6	SCREW, Hex Washer Head Taptite 5/16-18 x 3/4
36	1733923SM	1	COVER, Belt w/Toolbox B&S
37	002X97MA	4	CARRIAGE BOLT, 5/16-18 x 1-1/2
39	26X306MA	2	SCREW, 1/4-AB x 3/4 Hex YZ w/Extension Tooth Washer
44	1733898SM	1	SEAL, Foam
45	1733868ASM	1	PLATE, Seal
46	1733897SM	1	SEAL, Foam
47	1733924SM	1	CLIP, Pine Tree (Used on all models except 8.5HP)
48	910828MA	1	BOLT, Hex 5/16-24 x 1

Footnotes

Note* See your local Briggs & Stratton distributor for parts & service.

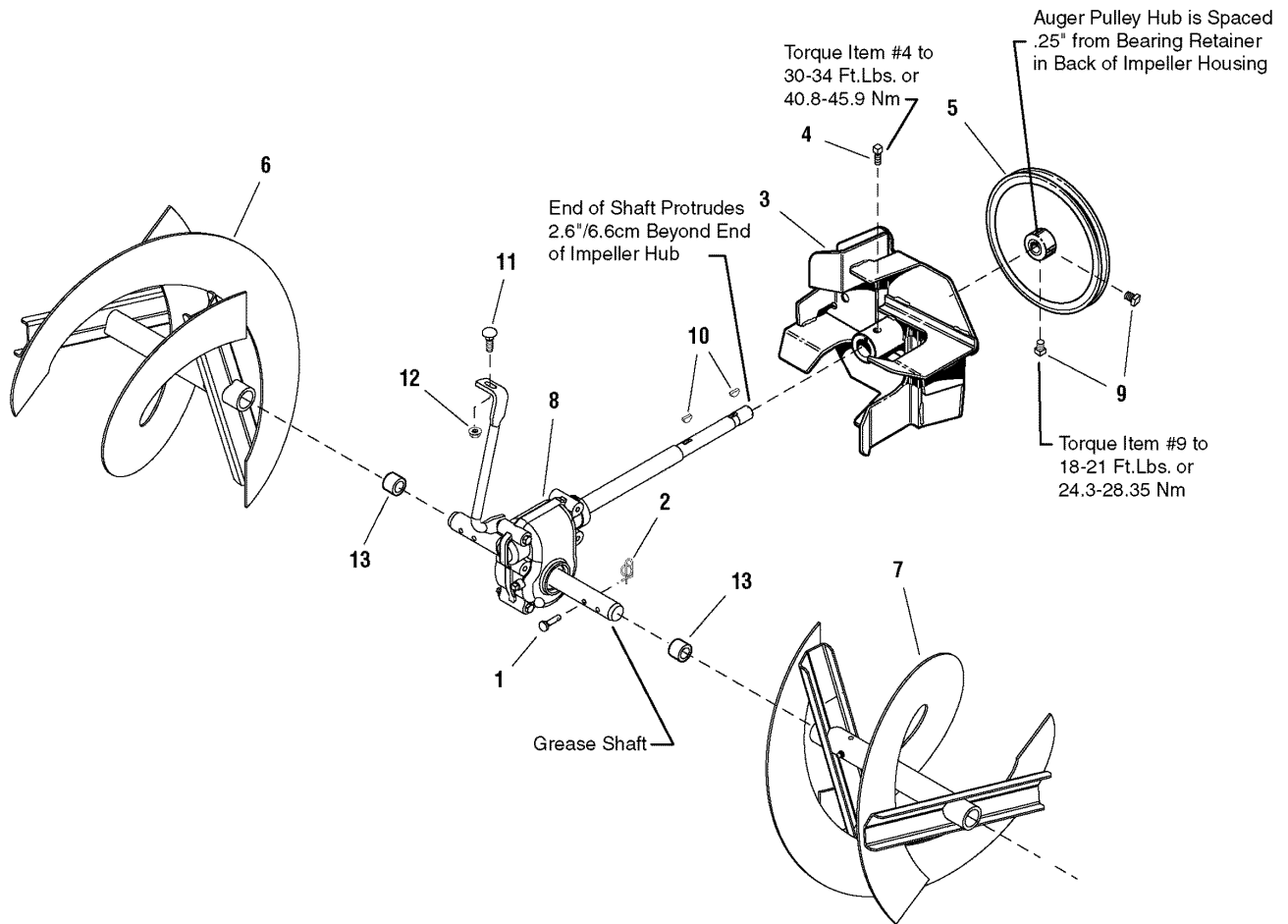
The above parts group applies to the following Mfg. Nos.:

1695326 - L1226E	1695335 - L1530EX
1695327 - L1226E	1695338 - L1632E
1695330 - L1428E	
1695331 - L1428EX	
1695334 - L1530E	

Auger Drive Group

987861

NOTE: Unless noted otherwise,
use the standard hardware torque
specification chart.



The above parts group applies to the following Mfg. Nos.:

1695326 - L1226E

1695335 - L1530EX

1695327 - L1226E

1695338 - L1632E

1695330 - L1428E

1695331 - L1428EX

1695334 - L1530E

Auger Drive Group

REF NO	PART NO.	QTY.	DESCRIPTION
1	1668344SM	2	PIN, SHEAR
2	7023590SM	2	COTTER PIN, 1/4" Self Locking
3	1612187ASM	1	IMPELLER ASSEMBLY, Large Frame Snow
4	1960474SM	1	SCREW, Set, Square Head Cup Point 3/8-16 x 1/2 G8
5	1732185SM	1	PULLEY, w/Hub
6	1734674ASM	1	AUGER ASSEMBLY, 24" & 26" R.H.
6	1734676ASM	1	AUGER ASSEMBLY, 28" & 30" R.H.
6	1734678ASM	1	AUGER ASSEMBLY, 32" R.H.
7	1734673ASM	1	AUGER ASSEMBLY, 24" & 26" L.H.
7	1734675ASM	1	AUGER ASSEMBLY, 24" & 30" L.H.
7	1734677ASM	1	AUGER ASSEMBLY, 32" L.H.
8	1732303SM	1	GEAR BOX ASSEMBLY
9	1928721SM	2	SCREW, Set, Square Head Cup Point 5/16-18 x 1/2 G8
10	2818312SM	2	KEY, Woodruff
11	1931333SM	1	CARRIAGE BOLT, 5/16-18 x 3/4 G5
12	1931277SM	1	NUT, Hex Flange Whiz Lock, 5/16-18HEX FLANGE 5/16-18
13	1733406SM	2	TUBE

Footnotes

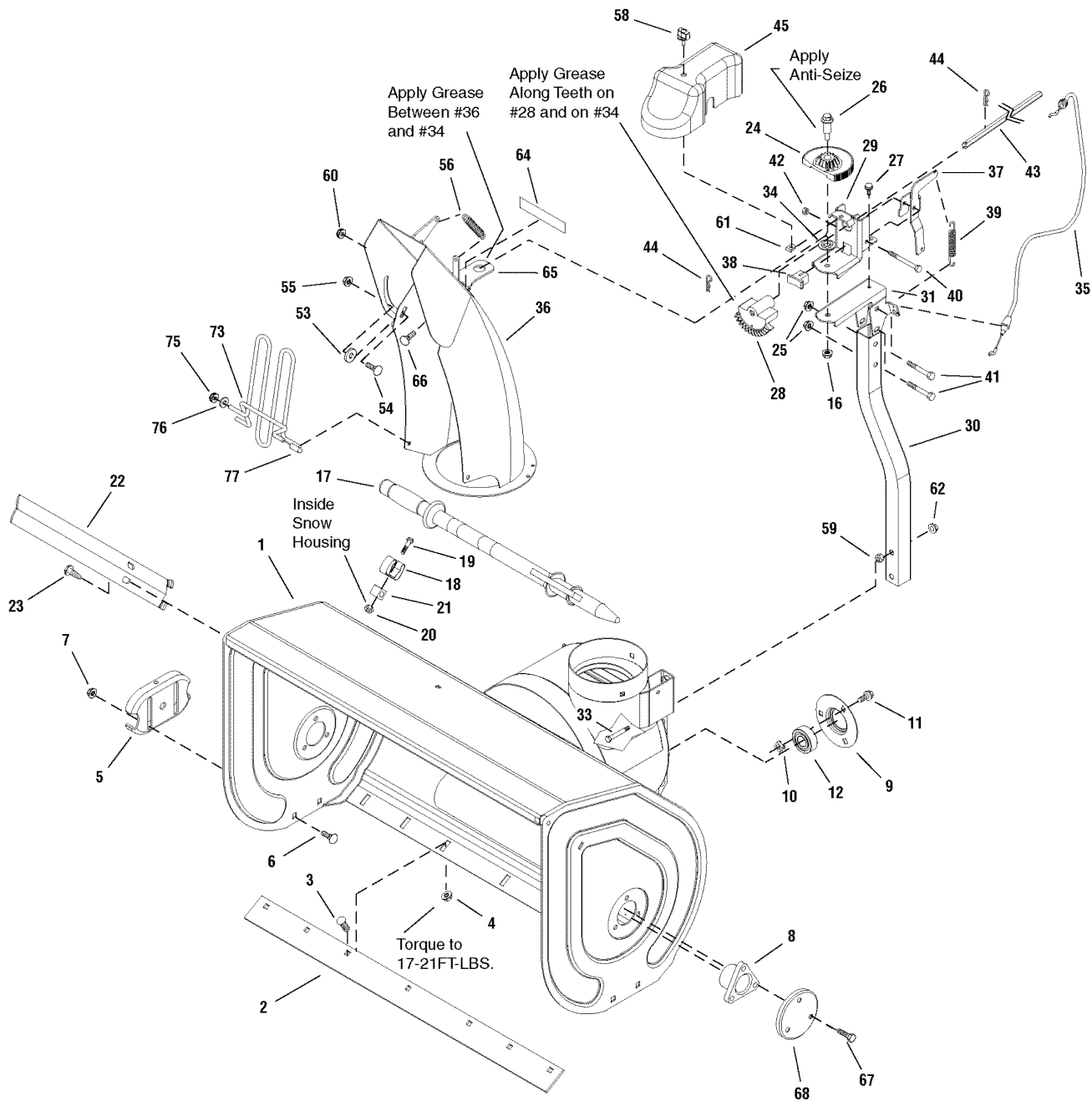
The above parts group applies to the following Mfg. Nos.:

1695326 - L1226E	1695335 - L1530EX
1695327 - L1226E	1695338 - L1632E
1695330 - L1428E	
1695331 - L1428EX	
1695334 - L1530E	

Auger Housing & Chute Group

987768

NOTE: Unless noted otherwise,
use the standard hardware torque
specification chart.



The above parts group applies to the following Mfg. Nos.:

- | | |
|-------------------|-------------------|
| 1695326 - L1226E | 1695335 - L1530EX |
| 1695327 - L1226E | 1695338 - L1632E |
| 1695330 - L1428E | |
| 1695331 - L1428EX | |
| 1695334 - L1530E | |

Auger Housing & Chute Group

REF NO	PART NO.	QTY.	DESCRIPTION
1	1734555CSM	1	HOUSING ASSEMBLY, 26"
1	1734556CSM	1	HOUSING ASSEMBLY, 28"
1	1734557CSM	1	HOUSING ASSEMBLY, 30"
1	1734558CSM	1	HOUSING ASSEMBLY, 32"
2	1732384ASM	1	BLADE, Scraper 26"
2	1709947ASM	1	BLADE, Scraper 28"
2	1732385ASM	1	BLADE, Scraper 30"
2	1709948ASM	1	BLADE, Scraper 32"
3	1960699SM	5/7	CARRIAGE BOLT, 5/16-18 x 5/8 G5
4	1935048SM	5/7	NUT, Hex Flange 5/16-18 Two-Way Lock
5	1727854ASM	2	SKID, Shoe Reversible
6	1960711SM	4	CARRIAGE BOLT 3/8-16 x 3/4 G5
7	1960687SM	4	NUT, Hex Flange 3/8-16 ESNA
8	1733103SM	2	BEARING, Flange
9	1665982ASM	1	BEARING, Retainer
10	1930659SM	3	RETAINER, Nut, 5/16-18
11	1960738SM	3	SCREW, Hex Whiz Lock Flange 5/16-18 x 3/4
12	2108202SM	1	BEARING
16	1931277SM	1	NUT, Hex Flange 5/16-18, Whiz Lock
17	1733209SM	1	STICK, Cleanout w/Brush
18	1501672MA	2	CLIP, Retainer
19	2860604SM	2	SCREW, Hex Washer Head Slot #10C x 1-1/4 G2
20	1933896SM	2	NUT, Hex Lock 10-24 w/Nylon Insert
21	578063MA	2	BLOCK, Universal Pivot
22	1733102ASM	2	CUTTER, Drift 12GA w/Tabs (Only used on 30" & 32" Models)
23	1664847SM	2	SCREW, Hex Washer Head Taptite 5/16-18 x 3/4 (Only used on 30" & 32" Models)
24	1732608SM	1	GEAR, 13 Tooth
25	1960684SM	2	NUT, Hex Keps 5/16-18 Conical Washer
26	1732412SM	1	BOLT, Shoulder 5/16-18 x 3/5 G5
27	1925003SM	1	SCREW, Hex Washer Head Taptite 1/4-20 x 1/2
28	1732607SM	1	GEAR, Sector 34 Tooth Powdered Metal
29	1732602ASM	1	SUPPORT, Driver Gear 12GA
30	1734414ASM	1	TUBE, Square 1-1/4
31	1732606ASM	1	BRACKET, Gears Support 12GA
33	1731353SM	2	CARRIAGE BOLT, 3/8-16 x 1-3/4
34	1733026SM	1	WASHER
35	1732238SM	1	CABLE, Chute Brake 40" Long
36	1734658CSM	1	CHUTE ASSEMBLY, Remote Deflector
37	1732837ASM	1	BRACKET, Brake 12GA
38	1732308SM	1	ARM & PAD ASSEMBLY, Brake
39	1679554SM	1	SPRING, Extension
40	1923282SM	1	CAPSCREW, Hex Head 1/4-20 x 2-1/2 G5
41	1922127SM	2	CAPSCREW, Hex Head 5/16-18 x 2 G5
42	1923358SM	1	NUT, Hex Centerlock 1/4-20

Footnotes

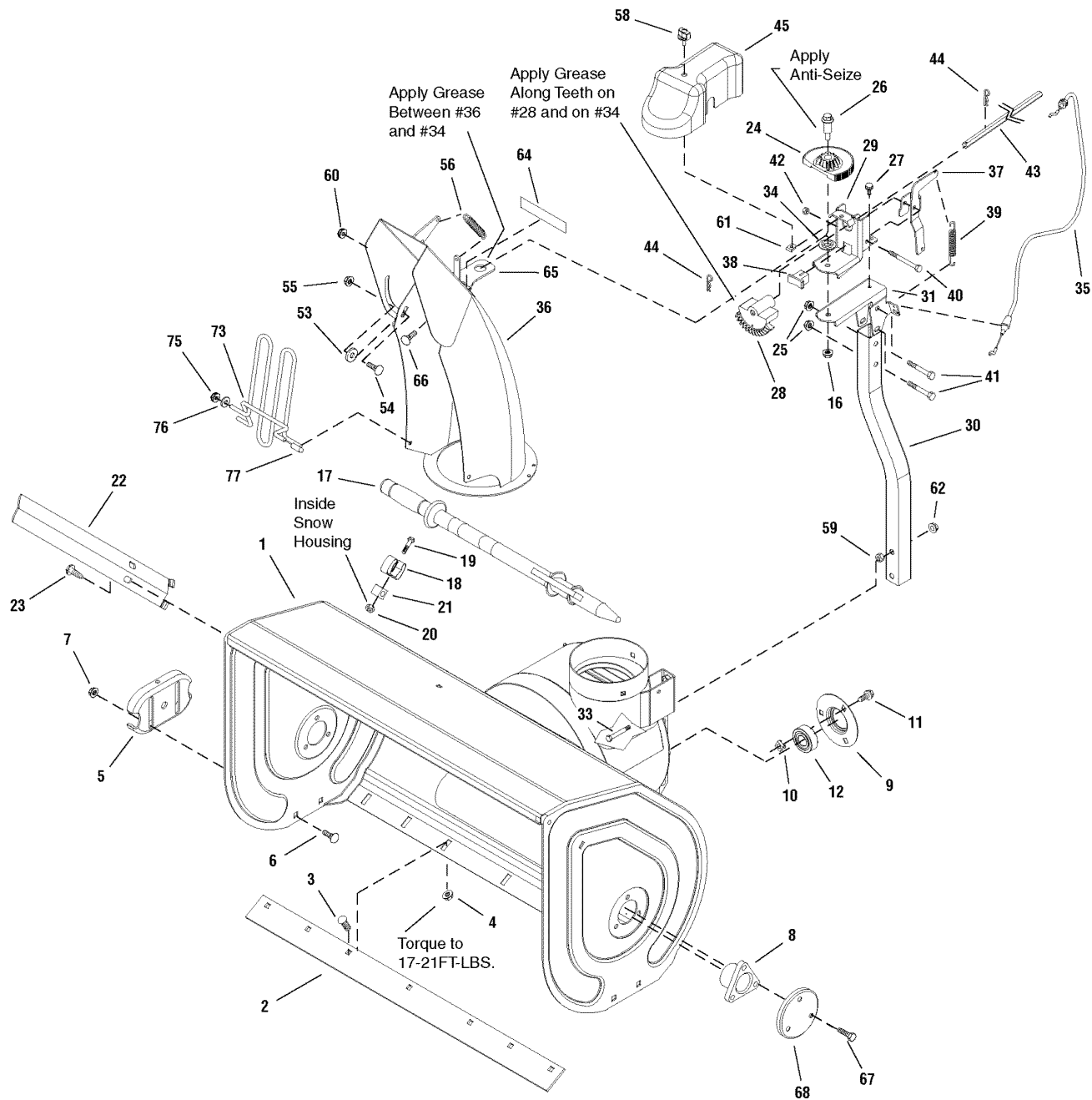
The above parts group applies to the following Mfg. Nos.:

1695326 - L1226E
 1695327 - L1226E
 1695330 - L1428E
 1695331 - L1428EX
 1695334 - L1530E
 1695335 - L1530EX
 1695338 - L1632E

Auger Housing & Chute Group

987768

NOTE: Unless noted otherwise,
use the standard hardware torque
specification chart.



The above parts group applies to the following Mfg. Nos.:

- | | |
|-------------------|-------------------|
| 1695326 - L1226E | 1695335 - L1530EX |
| 1695327 - L1226E | 1695338 - L1632E |
| 1695330 - L1428E | |
| 1695331 - L1428EX | |
| 1695334 - L1530E | |

Auger Housing & Chute Group

REF NO	PART NO.	QTY.	DESCRIPTION
43	1732231SM	1	ROD, Hex, Chute
44	1722460SM	2	PIN, Quick
45	1732241SM	1	COVER, Chute
53	2860210SM	1	WASHER, Nylon
54	1931333SM	1	CARRIAGE BOLT, 5/16-18 x 3/4 G5
55	1960686SM	1	NUT, Hex Flange 5/16-18 ESNA
56	1733455SM	1	SPRING, Extension
58	696239SM	1	KNOB & SCREW ASSEMBLY, 10-24 x 3/5
59	1931942SM	2	NUT, Push Pal 3/8
60	1932718SM	1	NUT, Push
61	1960593SM	1	NUT, Retainer Speed #10-24 w/Extrusion
62	1960680SM	2	NUT, Hex Keps Conical Washer 3/8-16
64	1706085SM	2	DECAL, Orange Strip For Chute Hinge
65	1734205SM	1	BRACKET, Chute Support
66	7091542	3	SCREW, Pan Head Self Tap Torx 5/16 x 1/2
67	1931202SM	6	SCREW, Hex Washer Head Taptite 5j/16-18 x 1-1/4
68	1734932ASM	2	COVER, Bushing
73	1612455SM	1	GUARD, Chute (Only used on CE/Export Models)
75	1960126SM	2	NUT, Push Capped (Only used on CE/Export Models)
76	1678366SM	2	WASHER (Only used on CE/Export Models)
77	1733647SM	1	CAP (Only used on CE/Export Models)

Footnotes

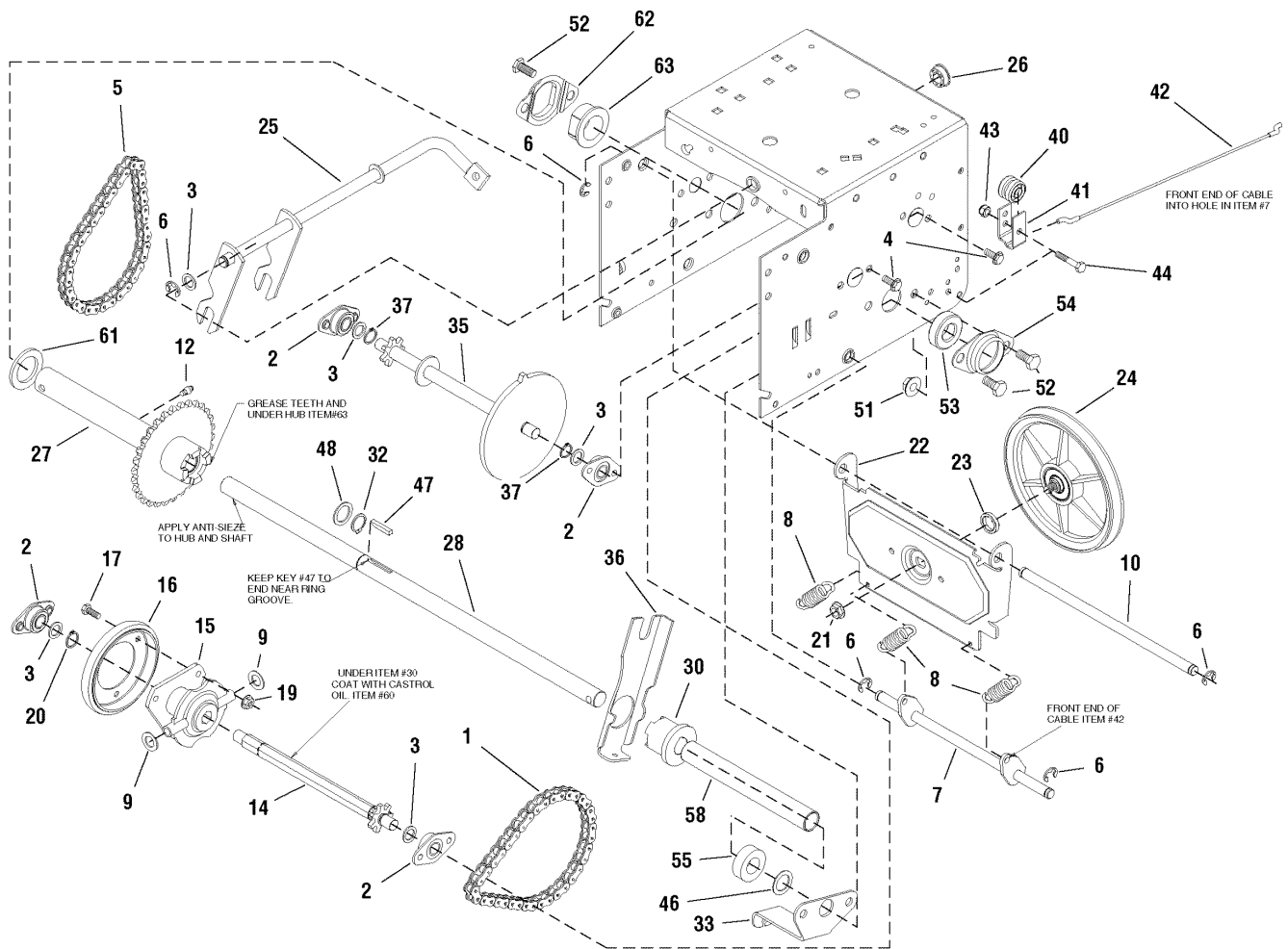
The above parts group applies to the following Mfg. Nos.:

1695326 - L1226E	1695335 - L1530EX
1695327 - L1226E	1695338 - L1632E
1695330 - L1428E	
1695331 - L1428EX	
1695334 - L1530E	

Traction Drive Group - EZ Turn

987330

**NOTE: Unless noted otherwise,
use the standard hardware torque
specification chart.**



The above parts group applies to the following Mfg. Nos.:

- 1695330 - L1428E
- 1695331 - L1428EX
- 1695334 - L1530E
- 1695335 - L1530EX
- 1695338 - L1632E

Traction Drive Group - EZ Turn

REF NO	PART NO.	QTY.	DESCRIPTION
1	579851MA	1	CHAIN, Roller
2	334163MA	4	RETAINER & BUSHING ASSEMBLY
3	579858MA	5	WASHER
4	1924856SM	8	SCREW, Hex Washer Head Taptite 5/16-18 x 1/2
5	579868MA	1	CHAIN, Roller
6	11X30MA	5	RETAINER, Ring 7/16
7	1502105YZMA	1	SPRING LINK ASSEMBLY
8	165X112MA	3	SPRING, Extension
9	1960027SM	2	WASHER, 1/2
10	1501092YZMA	1	AXLE, Swing Plate
12	2812808SM	1	FITTING, Lube
14	1501100MA	1	HEX SHAFT & SPROCKET ASSEMBLY
15	337029MA	1	HUB, Friction Wheel & Bearing
16	1501435MA	1	WHEEL, Friction
17	1921959SM	3	CAPSCREW, Hex Head 1/4-20 x 5/8 G5
19	2828372SM	3	NUT, Hex KEPS 1/4-20
20	579859MA	1	RING, Retaining Extension
21	15X114MA	1	NUT, 3/8-24 Flange Lock
22	1501057YZMA	1	PLATE, Swinging
23	1501158MA	1	SPACER, Friction Pulley
24	1501115MA	1	FRICITION PULLEY ASSEMBLY
25	1501110YZMA	1	SPEED SELECT ASSEMBLY
26	579944MA	1	BEARING, Flange
27	1733085SM	1	SPROCKET & HUB ASSEMBLY, W/Bushings
28	1732381SM	1	AXLE
30	1732382SM	1	GEAR, Clutching Powdered Metal
32	2827732SM	1	RING, Retaining Extension
33	1732948ASM	1	SUPPORT, Clutch Cable
35	1732389SM	1	SPROCKET & SHAFT ASSEMBLY
36	1732383ASM	1	ARM, Clutch
37	2860386SM	2	RING, Retaining Extension
40	579860MA	1	SPOOL CABLE, Auger Control
41	1501059YZMA	1	BRACKET, Cable Spool
42	1501122MA	1	CABLE, Front Drive Lower All
43	1920397SM	1	NUT, Hex Lock ESNA Light 1/4-20
44	1922837SM	1	CAPSCREW, Hex Head 1/4-20 x 1-1/2 G5
46	712120MA	1	WASHER, Flat
47	1667622SM	1	KEY, Hi Pro
48	1960114SM	4	WASHER, 3/4
51	1928352SM	4	NUT, Hex Flange 3/8-16 Whiz Lock
52	1921965SM	4	CAPSCREW, Hex Head 3/8-16 x 3/4 G5
53	53263MA	1	BEARING, Ball
54	50648MA	1	RETAINER, Bearing
55	1501620MA	1	COLLAR, Locking

Footnotes

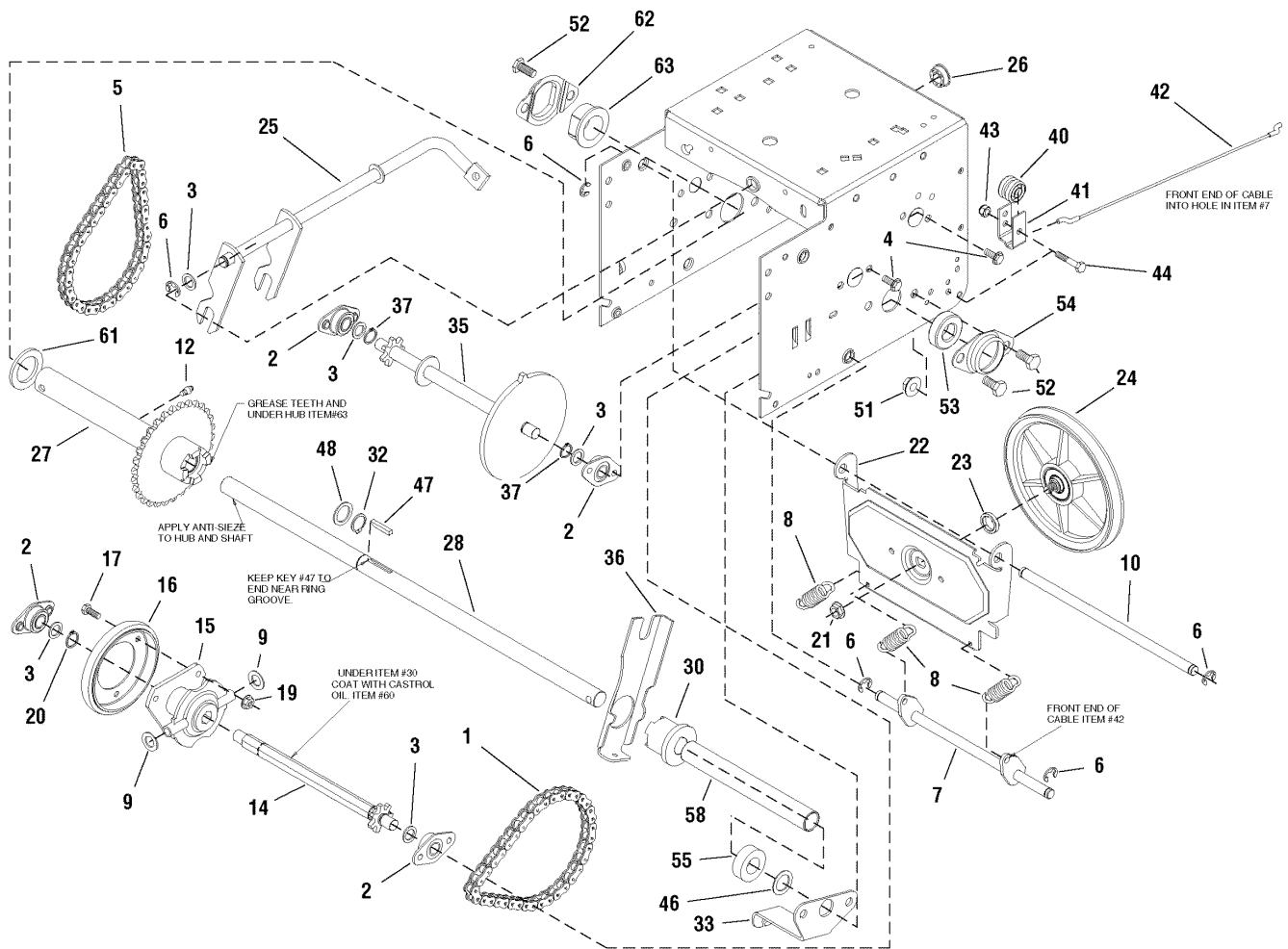
The above parts group applies to the following Mfg. Nos.:

1695330 - L1428E
 1695331 - L1428EX
 1695334 - L1530E
 1695335 - L1530EX
 1695338 - L1632E

Traction Drive Group - EZ Turn

987330

**NOTE: Unless noted otherwise,
use the standard hardware torque
specification chart.**



The above parts group applies to the following Mfg. Nos.:

- 1695330 - L1428E
- 1695331 - L1428EX
- 1695334 - L1530E
- 1695335 - L1530EX
- 1695338 - L1632E

Traction Drive Group - EZ Turn

REF NO	PART NO.	QTY.	DESCRIPTION
58	1720298SM	1	SPRING, Compression
61	2860169SM	1	WASHER, 1-3/16
62	1733101SM	1	RETAINER, Bushing
63	1720305SM	1	BUSHING

Footnotes

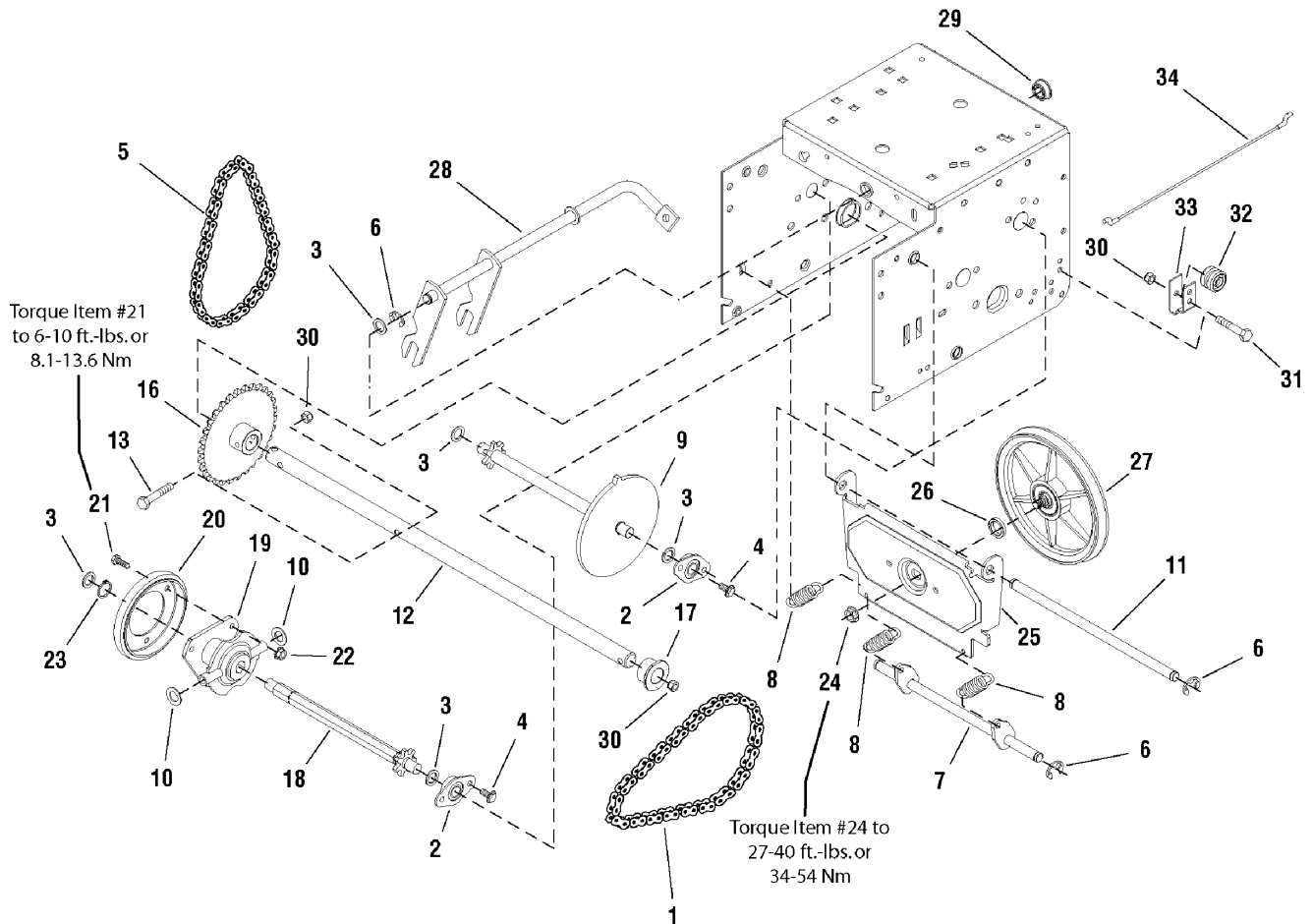
The above parts group applies to the following Mfg. Nos.:

1695330 - L1428E
1695331 - L1428EX
1695334 - L1530E
1695335 - L1530EX
1695338 - L1632E

Traction Drive Group - Standard

987249

NOTE: Unless noted otherwise,
use the standard hardware torque
specification chart.



The above parts group applies to the following Mfg. Nos.:

1695326 - L1226E

1695327 - L1226E

Traction Drive Group - Standard

REF NO	PART NO.	QTY.	DESCRIPTION
1	579851MA	1	CHAIN, Roller
2	334163MA	4	RETAINER & BUSHING ASSEMBLY
3	579858MA	5	WASHER
4	1924856SM	8	SCREW, Hex Washer Head Taptite 5/16-18 x 1/2
5	579868MA	1	CHAIN, Roller
6	11X30MA	5	RETAINER, Ring 7/16
7	1502105YZMA	3	SPRING LINK ASSEMBLY STANDARD
8	165X112MA	1	SPRING, Extension
9	1501090MA	2	SPROCKET, Set
10	1960027SM	1	WASHER, 1/2
11	1501092YZMA	1	AXLE, Swing Plate
12	1501563MA	1	AXLE
13	01X193MA	1	BOLT, Hex 1/4-20 x 1-3/4
16	1501089MA	2	SPROCKET, Axle
17	1501114MA	1	BEARING, Axle D-Hole
18	1501100MA	1	HEX SHAFT & SPROCKET ASSEMBLY
19	337029MA	1	HUB, Friction Wheel & Bearing
20	1501435MA	3	WHEEL, Friction
21	1921959SM	3	CAPSCREW, Hex Head 1/4-20 x 5/8 G5
22	2828372SM	1	NUT, Hex KEPS 1/4-20
23	579859MA	1	RING, Retaining, Extension
24	15X114MA	1	NUT, FlangeLock 38-24
25	1501057YZMA	1	PLATE, Swining
26	1501158MA	1	SPACER, Friction Pulley
27	1501115MA	1	FRICITION PULLEY ASSEMBLY
28	1501110YZMA	1	SPEED SELECT ASSEMBLY
29	579944MA	2	BEARING, Flange
30	1920397SM	1	NUT, Hex Lock ESNA Light 1/4-20
31	1922837SM	1	CAPSCREW, Hex Head 1/4-20 x 1-1/2 G5
32	579860MA	1	SPOOL CABLE, Auger Control
33	1501059YZMA	1	BRACKET, Cable Spool
34	1501122MA	1	CABLE, Front Drive Lower All

Footnotes

The above parts group applies to the following Mfg. Nos.:

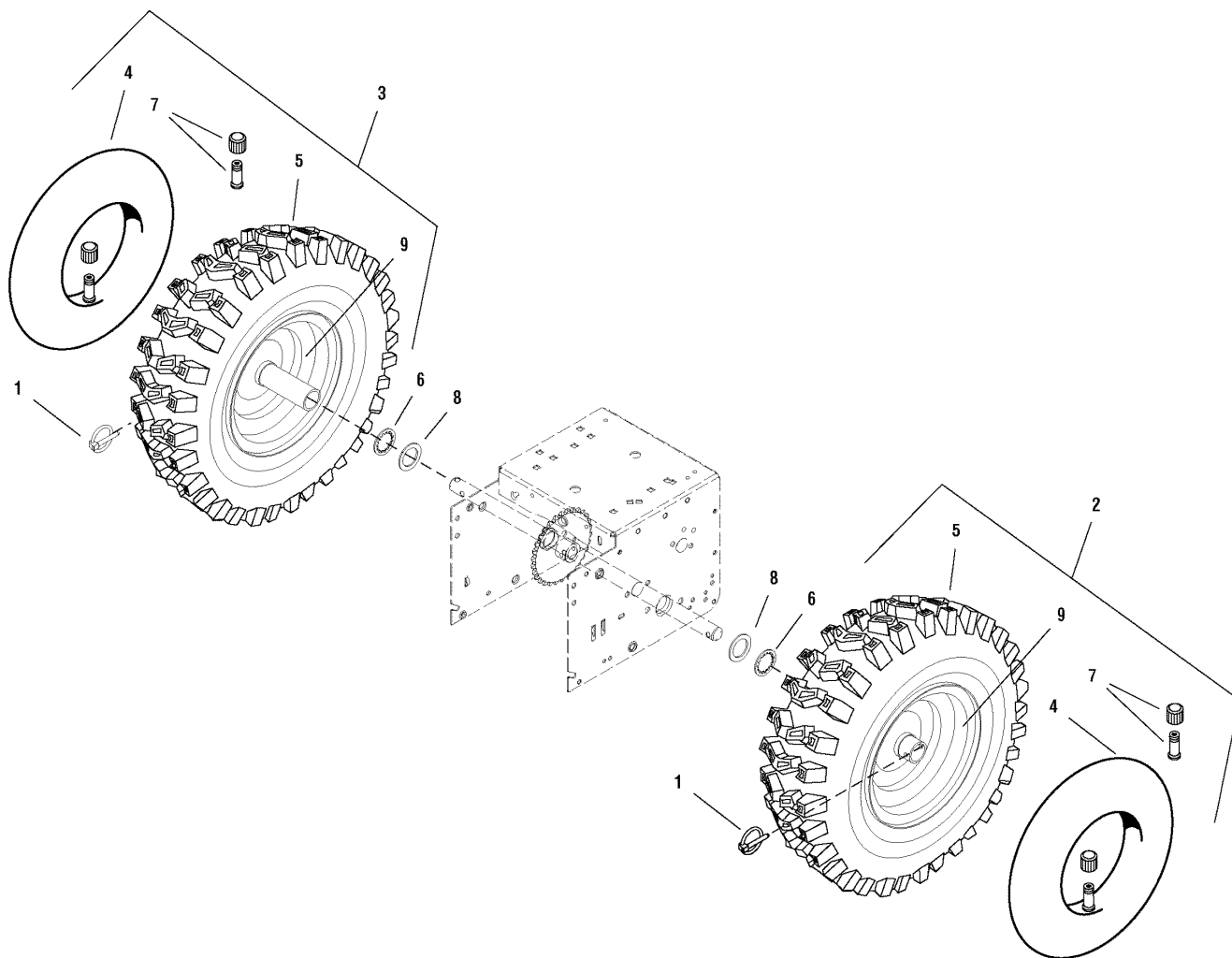
1695326 - L1226E

1695327 - L1226E

Wheel & Tire Group

NOTE: Unless noted otherwise,
use the standard hardware torque
specification chart.

987260



The above parts group applies to the following Mfg. Nos.:

1695326 - L1226E	1695335 - L1530EX
1695327 - L1226E	1695338 - L1632E
1695330 - L1428E	
1695331 - L1428EX	
1695334 - L1530E	

Wheel & Tire Group

REF NO	PART NO.	QTY.	DESCRIPTION
1	1731186SM	2	PIN, Klik .313 x 1.97 (Used on 26" Models)
1	1679697SM	2	PIN, Klik 1/4 x 1-3/4 (Used on 28", 30" & 32" Models)
2	1732935SM	2	WHEEL & TIRE ASSEMBLY, 15 x 5 L.H & R.H. (Used on 26" Models)
2	1723169SM	1	WHEEL & TIRE ASSEMBLY, 15 x 5 L.H. (Used on 28" Models)
2	1714235SM	1	WHEEL & TIRE ASSEMBLY, 16 x 4.8 L.H. (Used on 30" & 32" Models)
3	1732935SM	2	WHEEL & TIRE ASSEMBLY, 15 x 5 L.H & R.H. (Used on 26" Models)
3	1733089SM	1	WHEEL & TIRE ASSEMBLY, 15 x 5 R.H. (Used on 28" Models)
3	1720306SM	1	WHEEL & TIRE ASSEMBLY, 16 x 4.8 R.H. (Used on 30" & 32" Models)
4	1664090SM	1	TUBE, Tire 4.10/3.50-6 L.H. (Used on 28" Models)
4	2153038SM	1	TUBE, Tire 4.80/4.00 L.H. & R.H. (Used on 30" & 32" Models)
5	1723287SM	1	TIRE, 15 x 5.00-6, 2 PLY, KENDA L.H. (Used on 28" Models)
5	1612000SM	1	TIRE, 4.80/4.00-8 L.H. & R.H. (Used on 30" & 32" Models)
6	1657528SM	2	RETAINING RING, Extension, #75 3/4 Self Lock (Used on 26" Models)
7	2172353SM	1	VALVE STEM & CAP (Used on All Models)
8	712120MA	2	WASHER, Flat (Used on 26" Models)
9	1723286SM	1	HUB, Wheel L.H. (Used on 28" Models)
9	1714242SM	1	HUB, Wheel R.H., 3-3/4 Wide 8 Diameter 3/4 ID (Used on 30" & 32" Models)
9	1720307SM	1	HUB, Wheel 3.75 Wide 8. R.H. (Used on 30" & 32" Models)

Footnotes

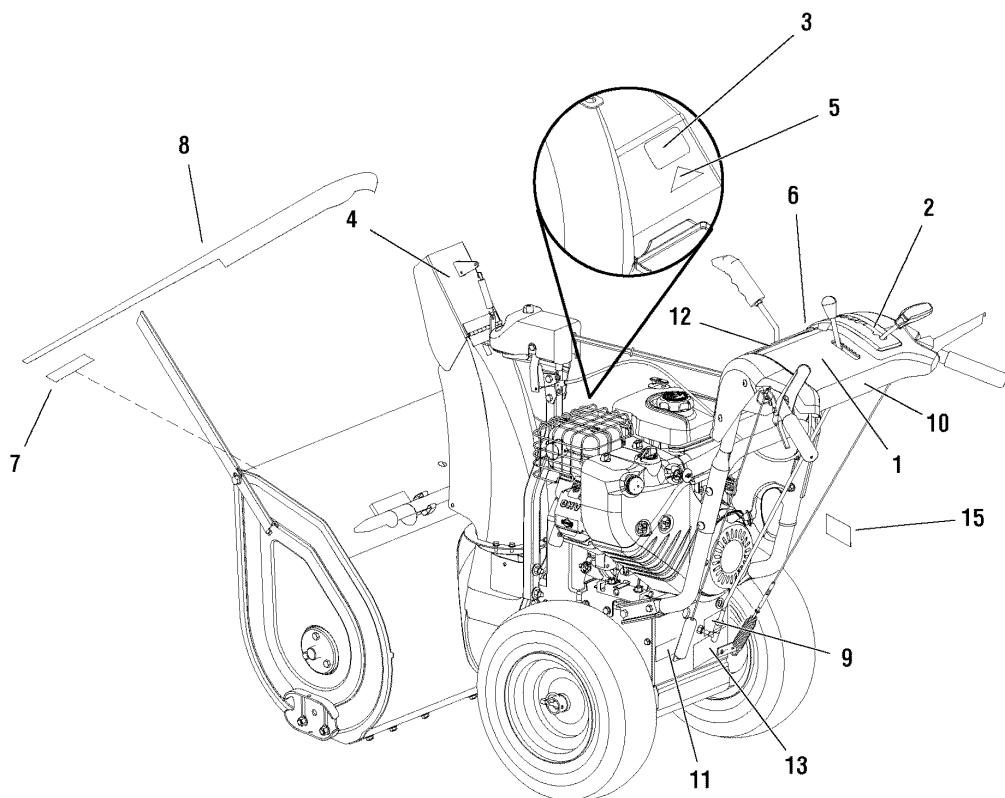
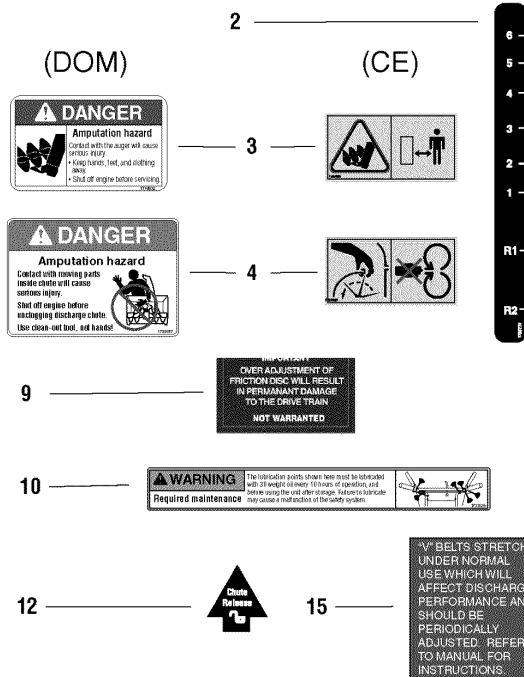
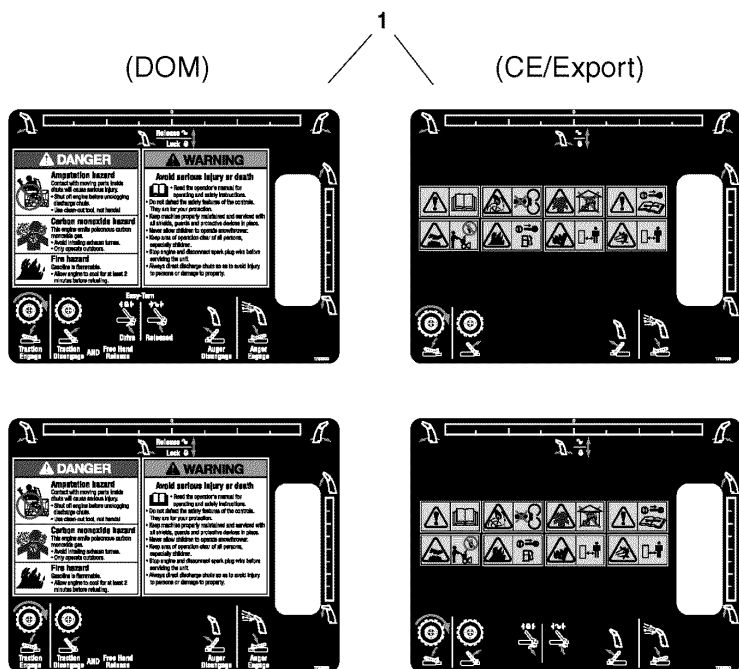
The above parts group applies to the following Mfg. Nos.:

1695326 - L1226E
 1695327 - L1226E
 1695330 - L1428E
 1695331 - L1428EX
 1695334 - L1530E
 1695335 - L1530EX
 1695338 - L1632E

Decal Group

987820

NOTE: Unless noted otherwise, use the standard hardware torque specification chart.



The above parts group applies to the following Mfg. Nos.:

- 1695326 - L1226E
- 1695327 - L1226E
- 1695330 - L1428E
- 1695331 - L1428EX
- 1695334 - L1530E
- 1695335 - L1530EX
- 1695338 - L1632E

Decal Group

REF NO	PART NO.	QTY.	DESCRIPTION
1	1733056SM	1	DECAL, Dashboard Standard Drive (Domestic Only)
1	1733033SM	1	DECAL, Dashboard EZ Turn (Domestic Only)
1	1733059SM	1	DECAL, Dashboard Standard Drive (CE/Export Only)
1	1733060SM	1	DECAL, Dashboard EZ Turn (CE/Export Only)
2	1733772SM	1	DECAL, Shift 1,2,3,4,5,6 R1 R2
3	1716532SM	1	DECAL, Danger Avoid Injury From Auger (Domestic Only)
3	1727208SM	1	DECAL, Impeller Warning (CE/Export Only)
4	1733057SM	1	DECAL, Danger Amputation Hazard (Domestic Only)
4	1727207SM	1	DECAL, Chute Warning (CE/Export Only)
5	*	1	DECAL, Opei Certified ANSI (Domestic Only)
6	1733199SM	1	DECAL, SMI Dash Swoosh
7	1734637SM	1	DECAL, SMI 1428L
7	1734636SM	1	DECAL, SMI 1226L
7	1734638SM	1	DECAL, SMI 1530L
7	1734639SM	1	DECAL, SMI 1632L
8	1733246SM	1	DECAL, SMI Stripe 27.07 Long
8	1733247SM	1	DECAL, SMI Stripe 25.09 Long
8	1733245SM	1	DECAL, SMI Stripe 29.00 Long
8	1733244SM	1	DECAL, SMI Stripe 31.00 Long
9	7859MA	1	DECAL, Over Adjustment of Friction Disc (Domestic Only)
10	1733526SM	1	DECAL, Warning Lubrication (Domestic Only)
11	1720454SM	1	DECAL, Touch Up Paint Orange, Black, Red
12	1733443SM	1	DECAL, Chute Release Arrow
13	*	1	STICKER, Serial w/Bar Code
15	7390MA	1	DECAL, Belt Stretch & Adjustment (Domestic Only)

Footnotes

Note* Not a serviceable part.

The above parts group applies to the following Mfg. Nos.:

1695326 - L1226E

1695335 - L1530EX

1695327 - L1226E

1695338 - L1632E

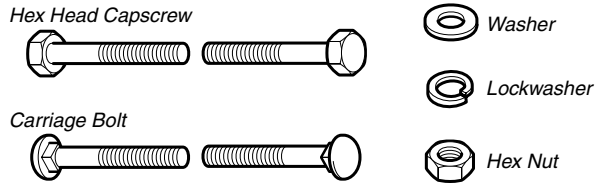
1695330 - L1428E

1695331 - L1428EX

1695334 - L1530E

Hardware Identification & Torque Specifications

Common Hardware Types

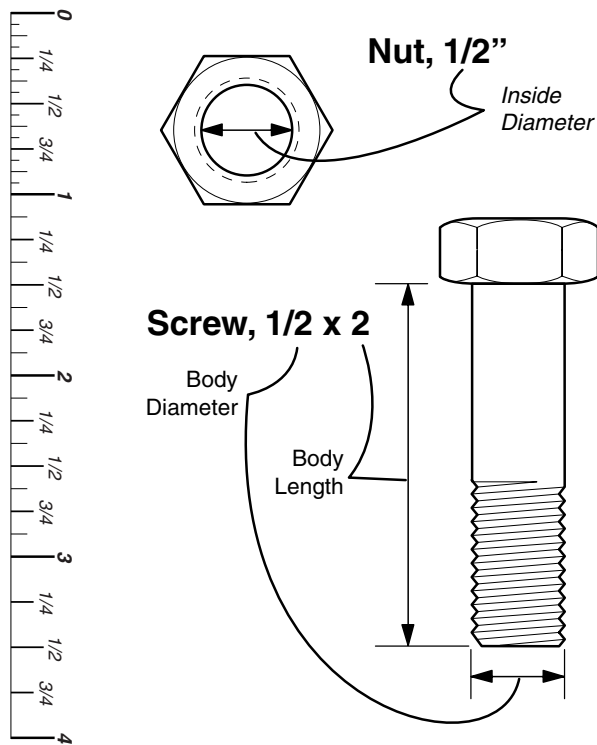


Standard Hardware Sizing

When a washer or nut is identified as 1/2", this is the *Nominal size*, meaning the *inside diameter* is 1/2 inch; if a second number is present it represents the *threads per inch*

When bolt or capscrew is identified as 1/2 - 16 x 2", this means the *Nominal size*, or *body diameter* is 1/2 inch; the second number represents the *threads per inch* (16 in this example, and the final number is the *body length* of the bolt or screw (in this example 2 inches long).

The guides and ruler furnished below are designed to help you select the appropriate hardware and tools.



Torque Specification Chart

FOR STANDARD MACHINE HARDWARE (Tolerance ± 20%)

Hardware Grade	No Marks SAE Grade 2		SAE Grade 5		SAE Grade 8	
	in/lbs ft/lbs	Nm.	in/lbs ft/lbs	Nm.	in/lbs ft/lbs	Nm.
8-32	19	2.1	30	3.4	41	4.6
8-36	20	2.3	31	3.5	43	4.9
10-24	27	3.1	43	4.9	60	6.8
10-32	31	3.5	49	5.5	68	7.7
1/4-20	66	7.6	8	10.9	12	16.3
1/4-28	76	8.6	10	13.6	14	19.0
5/16-18	11	15.0	17	23.1	25	34.0
5/16-24	12	16.3	19	25.8	27	34.0
3/8-16	20	27.2	30	40.8	45	61.2
3/8-24	23	31.3	35	47.6	50	68.0
7/16-14	30	40.8	50	68.0	70	95.2
7/16-20	35	47.6	55	74.8	80	108.8
1/2-13	50	68.0	75	102.0	110	149.6
1/2-20	55	74.8	90	122.4	120	163.2
9/16-12	65	88.4	110	149.6	150	204.0
9/16-18	75	102.0	120	163.2	170	231.2
5/8-11	90	122.4	150	204.0	220	299.2
5/8-18	100	136	180	244.8	240	326.4
3/4-10	160	217.6	260	353.6	386	525.0
3/4-16	180	244.8	300	408.0	420	571.2
7/8-9	140	190.4	400	544.0	600	816.0
7/8-14	155	210.8	440	598.4	660	897.6
1-8	220	299.2	580	788.8	900	1,244.0
1-12	240	326.4	640	870.4	1,000	1,360.0

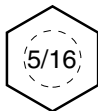
NOTES

- These torque values are to be used for all hardware excluding: locknuts, self-tapping screws, thread forming screws, sheet metal screws and socket head setscrews.
- Recommended seating torque values for locknuts:
 - for prevailing torque locknuts - use 65% of grade 5 torques.
 - for flange whizlock nuts and screws - use 135% of grade 5 torques.
- Unless otherwise noted on assembly drawings, all torque values must meet this specification.

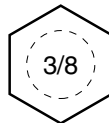
Wrench & Fastener Size Guide



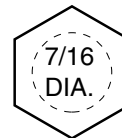
1/4" Bolt or Nut
Wrench—7/16"



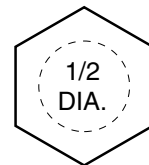
5/16" Bolt or Nut
Wrench—1/2"



3/8" Bolt or Nut
Wrench—9/16"



7/16" Bolt or Nut
Wrench (Bolt)—5/8"
Wrench (Nut)—11/16"



1/2" Bolt or Nut
Wrench—3/4"

Simplicity

MANUFACTURING, INC.
500 N. Spring Street / PO Box 997
Port Washington, WI 53074-0997 USA

www.simplicitymfg.com

Briggs and Stratton Yard Power Products Group
Copyright © 2007 by Briggs and Stratton Corporation
Milwaukee, WI, USA. All rights reserved

