



Signature Professional Series Snowthrowers

24" Auger Path

Mfg. No. Description

1695303 P1524E, 14.5GT 24" Snowthrower

1695304 P1524EX, 14.5GT 24" Snowthrower (CE/Export)

28" Auger Path

Mfg. No. Description

1695305 P1628E, 15.5GT 28" Snowthrower

1695306 P1628EX, 15.5GT 28" Snowthrower (CE/Export)

32" Auger Path

Mfg. No. Description

1695307 P1732E, 16.5GT 32" Snowthrower

1695308 P1732EX, 16.5GT 32" Snowthrower (CE/Export)

38" Auger Path

Mfg. No. Description

1695309 P1738E, 16.5GT 38" Snowthrower

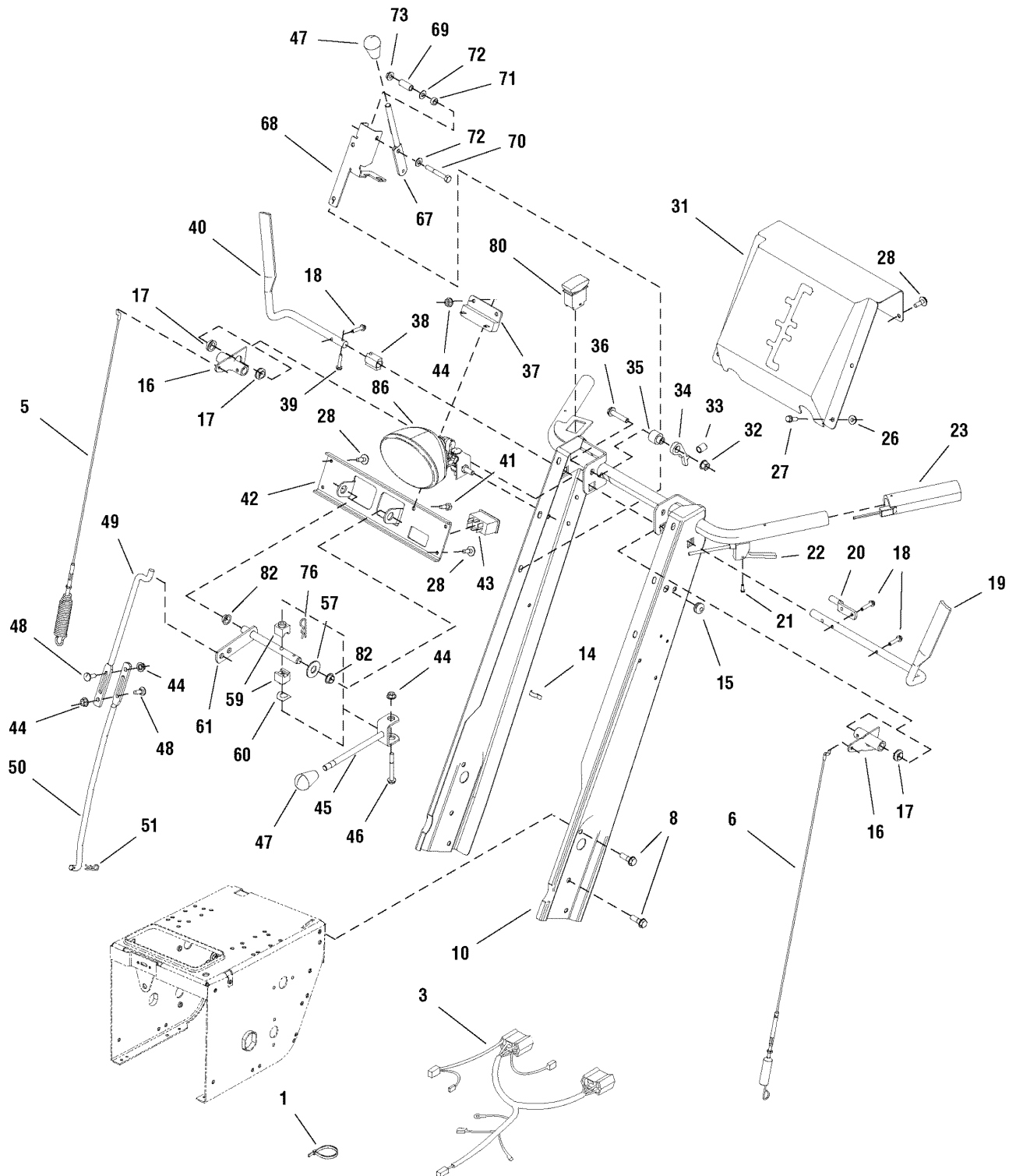
1695310 P1738EX, 16.5GT 38" Snowthrower (CE/Export)

PRODUCT COMPONENTS	PAGES
Handle & Controls Group	4
Engine & Frame Group	8
Auger Drive Group	12
Auger Housing & Chute Group	14
Traction Drive Group	16
Wheels & Tires Group	20
Decal Group	22
Gear Box Assembly	24
Torque Specification Chart	Inside Back Cover

Handle & Controls Group

987732

NOTE: Unless noted otherwise,
use the standard hardware torque
specification chart.



The above parts group applies to the following Mfg. Nos.:

- | | |
|-------------------|-------------------|
| 1695303 - P1524E | 1695308 - P1732E |
| 1695304 - P1524EX | 1695309 - P1738E |
| 1695305 - P1628E | 1695310 - P1738EX |
| 1695306 - P1628EX | |
| 1695307 - P1732E | |

Handle & Controls Group

REF NO	PART NO.	QTY.	DESCRIPTION
1	1701011SM	6	TIE, Self Locking .184 Wide 7.31 Long
3	1728968SM	1	HARNESS, Hand Warmers/Spout
5	1735148SM	1	CABLE & SPRING ASSEMBLY, R.H. Auger
6	1728115SM	1	CABLE & SPRING ASSEMBLY, L.H. Traction
8	1960729SM	6	SCREW, Hex Head SER Flange Taptite, R5/16-18 x 1
10	1733890CSM	1	HANDLE ASSEMBLY, Channel
14	2834683SM	1	CLIP, Speed Wire
15	1664022SM	1	GROMMET, 1/2 Diameter
16	1725205ASM	2	LEVER & TUBE ASSEMBLY, Clutch
17	1732732SM	3	BUSHING, .52 ID x .585 Square x .22 Long Nylon
18	1960471SM	4	SCREW, Hex Washer Head Taptite, #12-24 x 1
19	1727127SM	1	HANDLE, Clutch L.H.
20	1677453SM	1	ROD, Control, 3/8 Diameter, 2.81 Long 2" Flat
21	1725702SM	1	SCREW, Pan Head Torx #10 x 1/2 Thick
22	1718791SM	1	CABLE & HANDLE ASSEMBLY
23	1723965SM	2	HAND GRIP, Heated
26	1930641SM	4	NUT, Hex Whiz Lock Flange, 1/4-20
27	1935450SM	4	CAPSCREW, Hex Washer Head, 1/4-20 x 3/4, G5
28	1925592SM	6	SCREW, Hex Washer Head Taptite, 1/4-20 x 3/4
31	1734387CSM	1	DASHBOARD
32	1960686SM	1	NUT, Hex Flange 5/16-18 ESNA
33	1701342SM	1	SPRING, Compression, .38 ID x 1 Long
34	1705898SM	1	LATCH, Control, Powdered Metal
35	1678579SM	1	SPACER, .328 ID x .81 OD x .94 Long 1/2
36	1933689SM	1	SCREW, Hex Whiz Lock Flange, 5/16-18 x 1-1/2
37	1724037SM	1	RESISTOR BLOCK, 1.53
38	1705899SM	1	GUIDE, Control, .434 Wide 1.08 Long, Powdered Metal
39	1928732SM	1	SCREW, Hex Washer Head Taptite #10-24 x 1
40	1727128SM	1	HANDLE, Clutch R.H.
41	1923341SM	1	CAPSCREW, Hex Head 1/4-20 x 3/4, G5
42	1723935ASM	1	BRACKET, Shift Control
43	1723967SM	1	SWITCH, Hand Warmer
44	1960685SM	4	NUT, Hex Keps, 1/4-20 Conical Washer
45	1668523SM	1	ROD & CLEVIS ASSEMBLY, Shift
46	1960705SM	1	SCREW, Hex Whiz Lock Flange, 1/4-20 x 2-1/4
47	1732470SM	1	KNOB, Hole, .357 Diameter 1.14 Diameter, Sphere Softer
48	1931317SM	2	CARRIAGE BOLT, 1/4-20 x 3/4, G5
49	1734388SM	1	ROD, 3/8 Diameter, 11.38 Long
50	1666255SM	1	ROD, Shift Lower
51	1722460SM	1	PIN, Quick
57	1924361SM	1	WASHER, 0500 .53 ID x 1-1/4 x .08 Thick
59	1668524SM	2	BLOCK, Pivot
60	1668681SM	1	WASHER, Curved, .525 ID x .98 OD x .014 Thick
61	1734696SM	1	ROD & ARM ASSEMBLY, Pivot,

Footnotes

* See your local hardware store for replacement halogen bulbs.

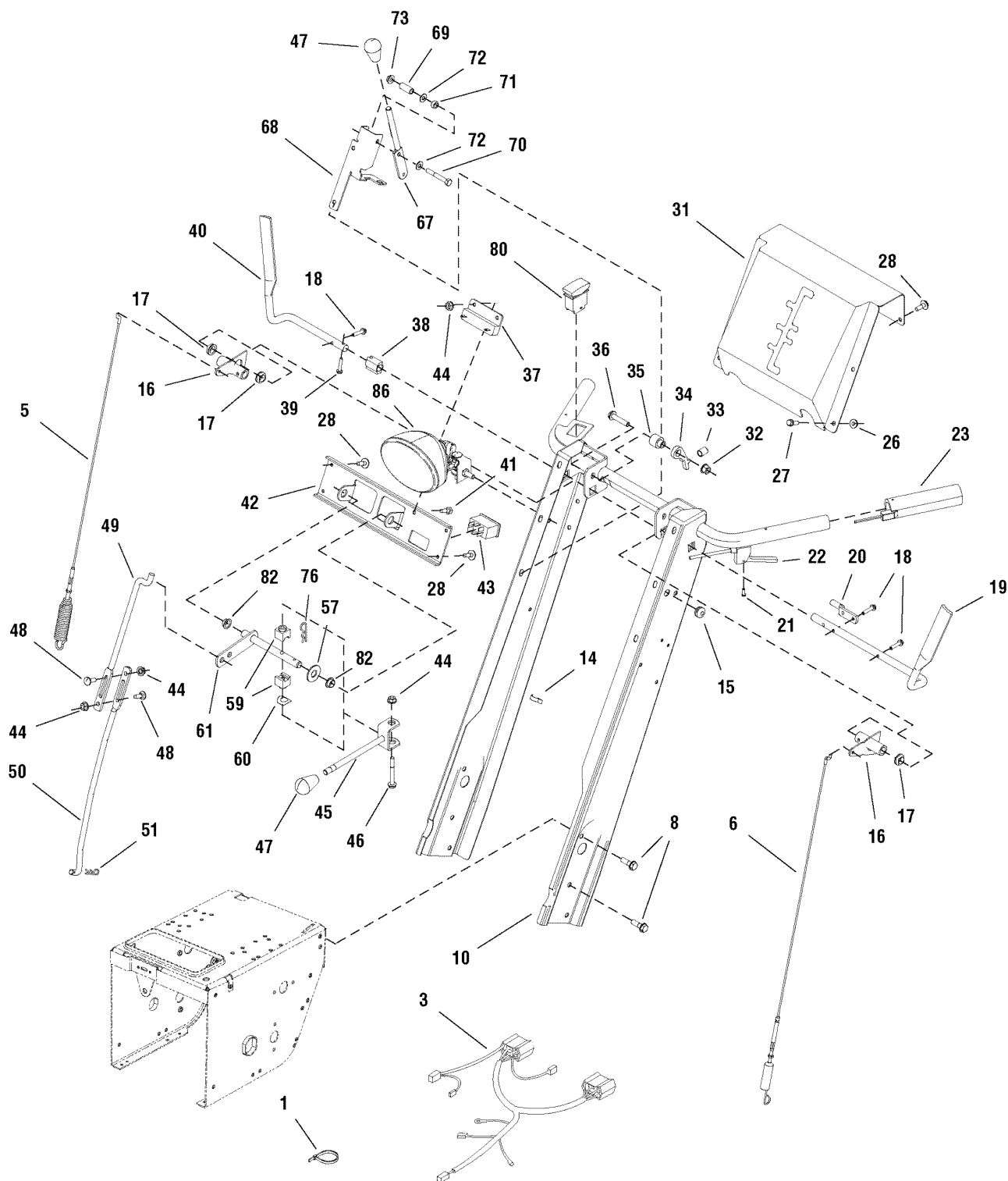
The above parts group applies to the following Mfg. Nos.:

1695303 - P1524E	1695308 - P1732EX
1695304 - P1524EX	1695309 - P1738E
1695305 - P1628E	1695310 - P1738EX
1695306 - P1628EX	
1695307 - P1732E	

Handle & Controls Group

987732

NOTE: Unless noted otherwise,
use the standard hardware torque
specification chart.



The above parts group applies to the following Mfg. Nos.:

- | | |
|-------------------|-------------------|
| 1695303 - P1524E | 1695308 - P1732E |
| 1695304 - P1524EX | 1695309 - P1738E |
| 1695305 - P1628E | 1695310 - P1738EX |
| 1695306 - P1628EX | |
| 1695307 - P1732E | |

Handle & Controls Group

REF NO	PART NO.	QTY.	DESCRIPTION
67	1735290SM	1	HANDLE, Deflector Control
68	1734385ASM	1	BRACKET, Deflector Control
69	1734709SM	1	SPRING, Deflector Control
70	1921963SM	1	CAPSCREW, Hex Head 1/4-20 x 2
71	1666697SM	1	SPACER
72	1921319SM	2	WASHER, 1/4
73	1960694SM	1	NUT, Hex Flange 1/4-20 ESNA
76	1960074SM	1	CLIP, Hair Pin
80	1728969SM	1	SWITCH, Chute Rotator
82	1668185SM	2	BUSHING, 1/2 ID x 3/4 OD x 1/4 Long Nylon
86	1732321SM	1	HEADLIGHT ASSEMBLY, Oval Amber
--	-----	1	* BULB, 881-12V 27 Watt Halogen

Footnotes

* See your local hardware store for replacement halogen bulbs.

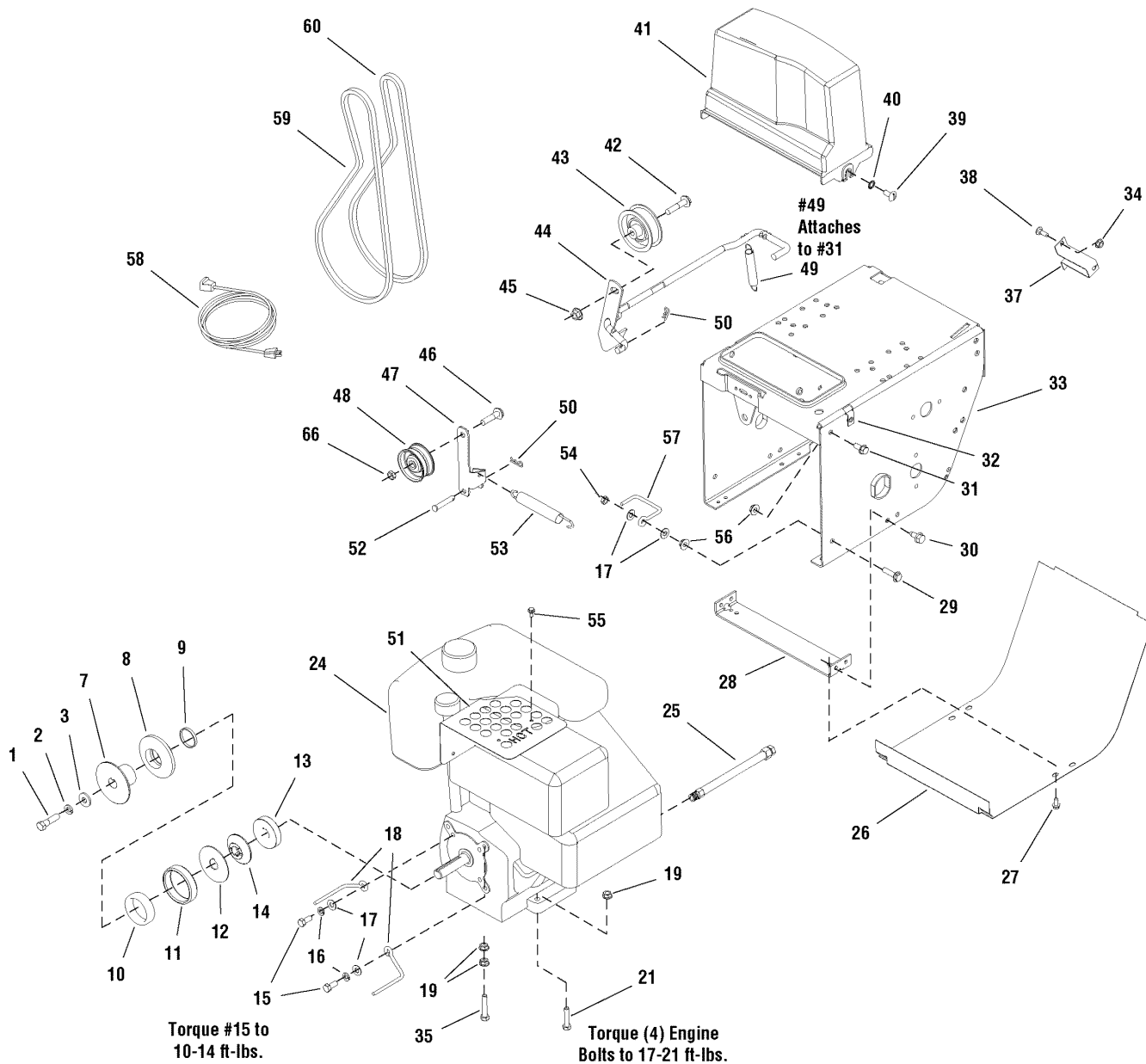
The above parts group applies to the following Mfg. Nos.:

1695303 - P1524E	1695308 - P1732EX
1695304 - P1524EX	1695309 - P1738E
1695305 - P1628E	1695310 - P1738EX
1695306 - P1628EX	
1695307 - P1732E	

Engine & Frame Group

987840

NOTE: Unless noted otherwise,
use the standard hardware torque
specification chart.



The above parts group applies to the following Mfg. Nos.:

- | | |
|-------------------|-------------------|
| 1695303 - P1524E | 1695308 - P1732EX |
| 1695304 - P1524EX | 1695309 - P1738E |
| 1695305 - P1628E | 1695310 - P1738EX |
| 1695306 - P1628EX | |
| 1695307 - P1732E | |

Engine & Frame Group

REF NO	PART NO.	QTY.	DESCRIPTION
1	1922128SM	1	CAPSCREW, Hex Head, 3/8-20 x 1-1/2, G8
2	1916965SM	1	LOCKWASHER, Spring, 3/8
3	1922755SM	1	WASHER, 3/8, 0.41ID x 1 OD x .13 Thick
7	1726864SM	1	PULLEY, Drive Half
8	1726863SM	1	PULLEY, Engine Half
9	1685366SM	1	WICK, Felt Oil, 4.65 Long .19 Wide
10	1701849SM	1	SPRING, Compression
11	1702425SM	1	SPRING, Compression
12	1701818SM	1	WASHER, Thrust, 0.766 ID x 2-3/4 OD x .06 Thick
13	1726868SM	1	PULLEY, Half, 2-1/4 OD 0.752 ID 0.64 Wide
14	1726869SM	1	PULLEY, Engine Outside
15	1921515SM	2	CAPSCREW, Hex Head, 5/16-24 x 3/4, G5
16	1917356SM	2	LOCKWASHER, Spring 5/16
17	1919326SM	6	WASHER, 5/16, 0.34 ID x 3/4 OD x .06 Thick
18	1731178SM	2	STOP, Belt
19	1931277SM	5	NUT, Hex Whiz Lock Flange, 5/16-18
21	1921221SM	3	CAPSCREW, Hex Head, 5/16-18 x 1-1/2, G5
24	*	1	ENGINE, 10.5HP B&S ES INTEK - Model #20E2140119E1
24	*	1	ENGINE, 11.5HP B&S ES INTEK - Model #21C2140114E1
24	*	1	ENGINE, 13HP B&S ES INTEK - Model #21A4140168E1
24	*	1	ENGINE, 11.5HP B&S ES INTEK - Model #21C2140135E1 (CE/Export)
24	*	1	ENGINE, 13HP B&S ES INTEK - Model #21A4140168E1 (CE/Export)
25	1726942SM	1	HOSE, Oil Drain
26	1726870CSM	1	COVER, Bottom Frame
27	1925003SM	2	SCREW, Hex Washer Head Taptite, 1/4-20 x 1/2
28	1727004ASM	1	SUPPORT, Tie Bar
29	1930595SM	2	SCREW, Hex Whiz Lock Flange, 5/16-18 x 1-1/4
30	1664847SM	4	SCREW, Hex Washer Head Taptite, 5/16-18 x 3/4
31	1930591SM	3	SCREW, Hex Whiz Lock Flange, 5/16-18 x 3/4
32	1935255SM	2	NUT, Speed, 5/16-18 Lug Type 1/4 /.15
33	1726568CSM	1	FRAME ASSEMBLY
34	1960685SM	2	NUT, Hex Keps, 1/4-20 Conical Washer
35	1922127SM	1	CAPSCREW, Hex Head, 5/16-18 x 1-3/4, G5
37	1720404ASM	1	SUPPORT, Clutch Cable
38	1931317SM	2	CARRIAGE BOLT, 1/4-20 x 3/4
39	1918249SM	2	SCREW, Truss Head Slotted, 5/16-18 x 3/4
40	2820426SM	2	LOCKWASHER, External Tooth, 5/16
41	1725287SM	1	COVER, Belt
42	2860709SM	1	SCREW, Hex Whiz Lock Flange, 3/8-16 x 1-3/4
43	1726348SM	1	PULLEY, Idler, 2-3/4
44	1729646ASM	1	ROD & ARM ASSEMBLY, Clutch/Brake
45	1928352SM	1	NUT, Hex Whiz Lock Flange, 3/8-16
46	1960647SM	1	SCREW, Hex Head, 3/8-16 x 1-1/2 .141 Thick
47	1703046ASM	1	ARM, Idler 5-3/4 Long

Footnotes

Note* See your local Briggs & Stratton distributor for parts & service.

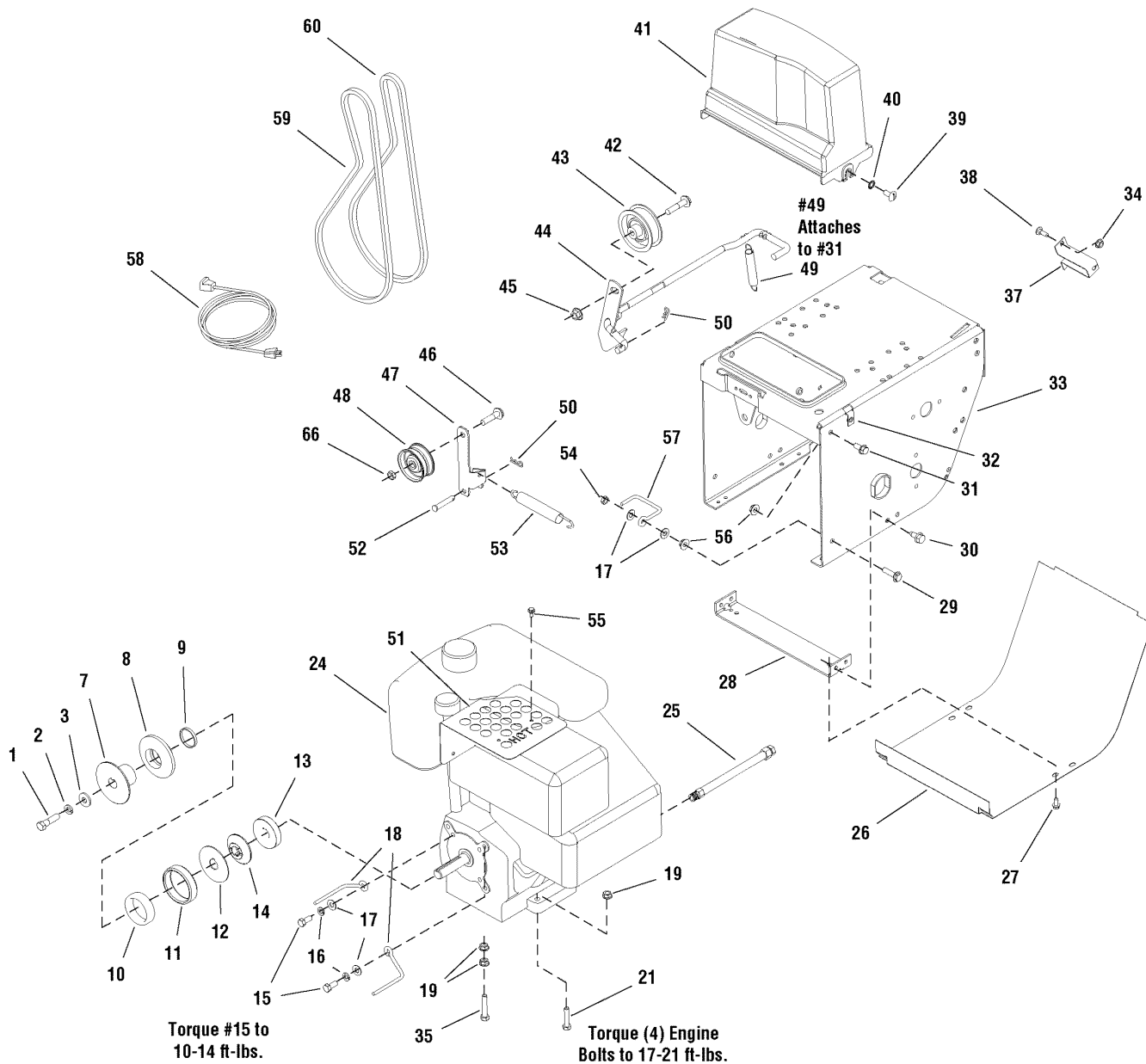
The above parts group applies to the following Mfg. Nos.:

1695303 - P1524E	1695308 - P1732EX
1695304 - P1524EX	1695309 - P1738E
1695305 - P1628E	1695310 - P1738EX
1695306 - P1628EX	
1695307 - P1732E	

Engine & Frame Group

987840

NOTE: Unless noted otherwise,
use the standard hardware torque
specification chart.



The above parts group applies to the following Mfg. Nos.:

- | | |
|-------------------|-------------------|
| 1695303 - P1524E | 1695308 - P1732EX |
| 1695304 - P1524EX | 1695309 - P1738E |
| 1695305 - P1628E | 1695310 - P1738EX |
| 1695306 - P1628EX | |
| 1695307 - P1732E | |

Engine & Frame Group

REF NO	PART NO.	QTY.	DESCRIPTION
48	1668477SM	1	PULLEY, Idler
49	2159106SM	1	SPRING, Extension
50	1722460SM	2	PIN, Quick
51	1734698SM	1	GUARD, Muffler (Only used on Domestic Models)
52	1665994SM	1	PIN, Flat
53	1727149SM	1	SPRING, Extension
54	1923362SM	2	NUT, Hex Centerlock 5/16-18
55	1929477SM	3	SCREW, Hex Washer Head Taptite, #10C x 1/2 (Only used on Domestic Models)
56	1927557SM	4	NUT, Hex Whiz Lock Flange, 5/16-18
57	1702969SM	2	STOP, Belt
58	1724064SM	1	CORD, Electric Start (Only used on Domestic Models)
59	1672732SM	1	V-BELT 3L, Traction Drive
60	1732249SM	1	V-BELT HA, Auger Drive
66	1928731SM	1	NUT, Hex Toplock Jam, 3/8-16

Footnotes

Note* See your local Briggs & Stratton distributor for parts & service.

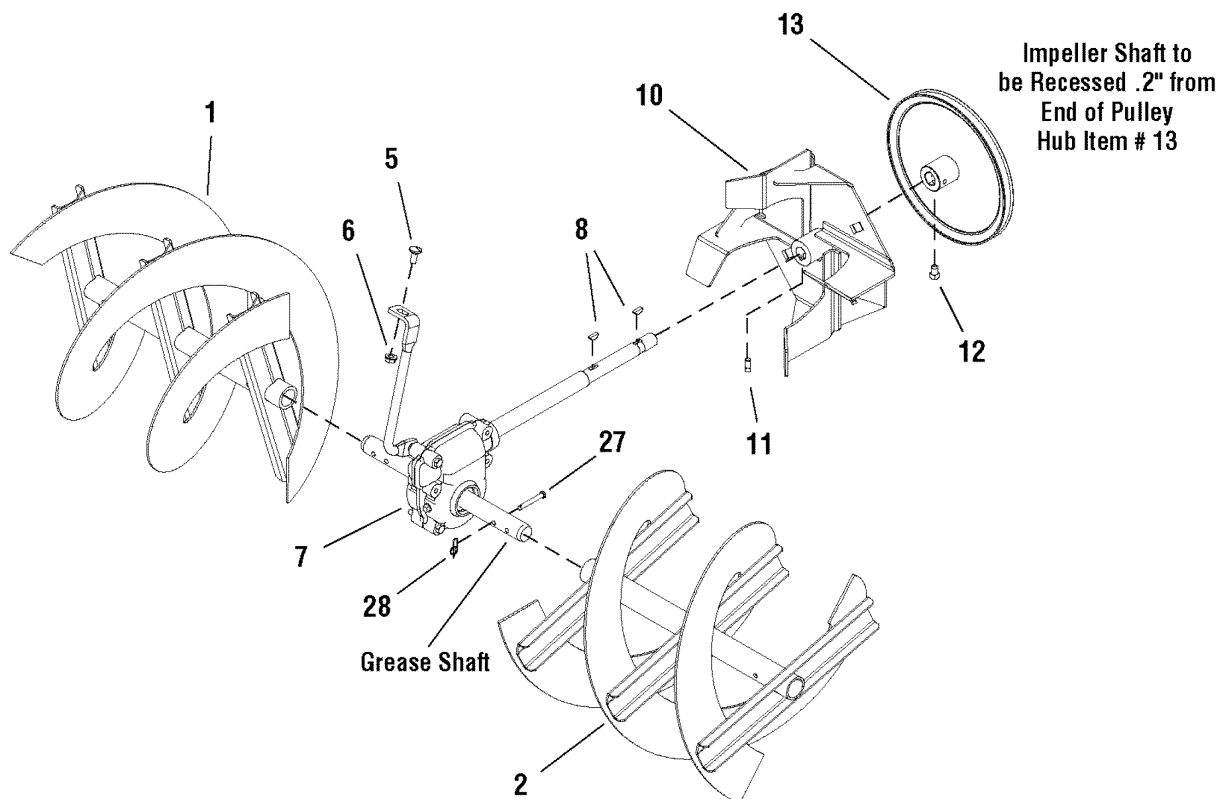
The above parts group applies to the following Mfg. Nos.:

1695303 - P1524E	1695308 - P1732EX
1695304 - P1524EX	1695309 - P1738E
1695305 - P1628E	1695310 - P1738EX
1695306 - P1628EX	
1695307 - P1732E	

Auger Drive Group

987855

NOTE: Unless noted otherwise,
use the standard hardware torque
specification chart.



The above parts group applies to the following Mfg. Nos.:

1695303 - P1524E	1695308 - P1732EX
1695304 - P1524EX	1695309 - P1738E
1695305 - P1628E	1695310 - P1738EX
1695306 - P1628EX	
1695307 - P1732E	

Auger Drive Group

REF NO	PART NO.	QTY.	DESCRIPTION
1	1734674ASM	1	AUGER ASSEMBLY, 24" Housing, R.H.
1	1734676ASM	1	AUGER ASSEMBLY, 28" Housing, R.H.
1	1734678ASM	1	AUGER ASSEMBLY, 32" Housing, R.H.
1	1734680ASM	1	AUGER ASSEMBLY, 38" Housing, R.H.
2	1734673ASM	1	AUGER ASSEMBLY, 24" Housing, L.H.
2	1734675ASM	1	AUGER ASSEMBLY, 28" Housing, L.H.
2	1734677ASM	1	AUGER ASSEMBLY, 32" Housing, L.H.
2	1734679ASM	1	AUGER ASSEMBLY, 38" Housing, L.H.
5	1931333SM	1	CARRIAGE BOLT, 5/16-18 x 3/4, G5
6	1931277SM	1	NUT, Hex Whiz Lock Flange, 5/16-18
7	1732303SM	1	GEAR BOX ASSEMBLY (See Gear Box Assembly Group)
8	2818312SM	2	KEY, Woodruff, 3/16 x 5/8 #61 SAE 1035
10	1612187ASM	1	IMPELLER ASSEMBLY, Large Frame Snow
11	1960474SM	1	SCREW, Set Square Head Cup 3/8-16 x 1/2 G8
12	1928721SM	2	SET SCREW, Square Head Cup 5/16-18 x 1/2, G8
13	1732468SM	1	PULLEY, 9 OD 0.752ID .72 Wide w/Hub
27	1668344SM	4	PIN, Shear, .248 ID x 1-3/4 Long
28	7023590SM	4	COTTER PIN, 1/4" Self Locking

Footnotes

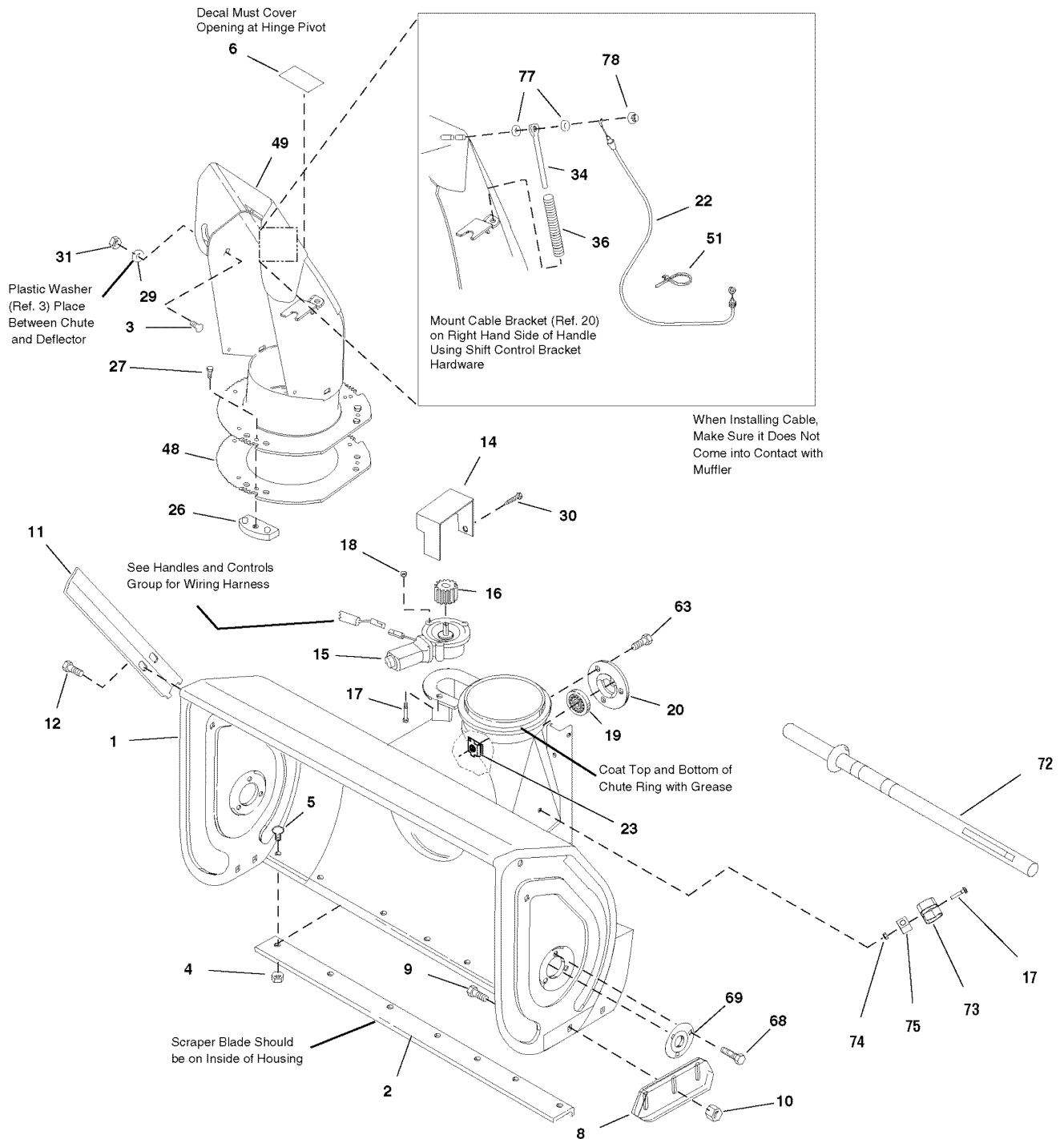
The above parts group applies to the following Mfg. Nos.:

1695303 - P1524E	1695308 - P1732EX
1695304 - P1524EX	1695309 - P1738E
1695305 - P1628E	1695310 - P1738EX
1695306 - P1628EX	
1695307 - P1732E	

Auger Housing & Chute Group

987724

**NOTE: Unless noted otherwise,
use the standard hardware torque
specification chart.**



The above parts group applies to the following Mfg. Nos.:

- | | |
|-------------------|-------------------|
| 1695303 - P1524E | 1695308 - P1732EX |
| 1695304 - P1524EX | 1695309 - P1738E |
| 1695305 - P1628E | 1695310 - P1738EX |
| 1695306 - P1628EX | |
| 1695307 - P1732E | |

Auger Housing & Chute Group

REF NO	PART NO.	QTY.	DESCRIPTION
1	1734550CSM	1	HOUSING ASSEMBLY, 24"
1	1734551CSM	1	HOUSING ASSEMBLY, 28"
1	1734552CSM	1	HOUSING ASSEMBLY, 32"
1	1734553CSM	1	HOUSING ASSEMBLY, 38"
2	1709946ASM	1	BLADE, Scraper for 24"
2	1709947ASM	1	BLADE, Scraper for 28"
2	1709948ASM	1	BLADE, Scraper for 32"
2	1723921ASM	1	BLADE, Scraper for 38"
3	1931333SM	1	CARRIAGE BOLT, 5/16-18 x 3/4, G5
4	1935048SM	9	NUT, Hex Flange, 5/16-18 Two-Way Lock
5	1960699SM	9	CARRIAGE BOLT, 5/16-18 x 5/8, G5
6	1706085SM	2	DECAL, Orange Strip Hinge Snow Chute (Used on 24, 28, & 32" Models)
6	1733598SM	2	DECAL, Orange Strip Hinge Snow Chute (Used on 38" Models)
8	1727854ASM	2	SKID SHOE (Used on 24, 28, & 32" Models)
8	1725747ASM	2	SKID SHOE (Used on 38" Models)
9	1960711SM	4	CARRIAGE BOLT, 3/8-16 x 3/4, G5 (Used on 24, 28, & 32" Models)
9	1960702SM	4	CARRIAGE BOLT, 3/8-16 x 1, G5 (Used on 38" Models)
10	1960687SM	4	NUT, Hex Flange, 3/8-16 ESNA
11	1733102CSM	2	CUTTER, Drift w/Tabs
12	1664847SM	2	SCREW, Hex Washer Head Taptite, 5/16-18 x 3/4
14	1733934ASM	1	COVER, Gear
15	1728965SM	1	MOTOR, Spout Rotator, 38/42"
16	1728967SM	1	PINION, 1.417 OD .296 Slot 1-1/4 Long 16T Powdered Metal
17	2860604SM	5	SCREW, Hex Washer Head Slot, #10C x 1-1/4, G2
18	1960745SM	3	NUT, Hex Whiz Lock Flange, #10-24
19	2108202SM	1	BEARING, 3/4 ID x 1.78 OD x .61 Long Greased
20	1665982ASM	1	BEARING RETAINER
22	1732971SM	1	CABLE & KNOB ASSEMBLY
23	1930659SM	3	RETAINER, Nut, 5/16-18 .057/.092
26	1666613SM	3	HOLD DOWN, Chute, Nylon
27	1960001SM	3	SCREW, Hex Washer Head Taptite, 10-14 x 5/8
29	2860210SM	1	WASHER, Nylon, .388 x 1.12 x .03
30	1927428SM	1	SCREW, Hex Washer Head Taptite, 1/4-20 x 3/8
31	1960686SM	1	NUT, Hex Flange, 5/16-18 ESNA
34	1734708ASM	1	ROD, Spring
36	1734647SM	1	SPRING, Compression
48	1717477ASM	1	GEAR, Chute, 10 OD 6.65 ID .105 Thick
49	1734401CSM	1	CHUTE ASSEMBLY, with Pigtail Orange (Used on 38" Models)
49	1734400CSM	1	CHUTE ASSEMBLY, with Pigtail Orange (Used on 24, 28, & 32" Models)
51	2825094SM	1	TIE, Self Locking, .184 Wide 7.31 Long
63	1960738SM	3	SCREW, Hex Whiz Lock Flange, 5/16-18 x 3/4
69	1734645SM	2	BEARING, Ball
72	1733209SM	2	STICK, Snow Cleanout w/Brush, Plastic
73	1501672MA	2	CLIP, Retainer
74	1933896SM	2	NUT, Hex Lock, 10-24 w/Nylon Insert

Footnotes

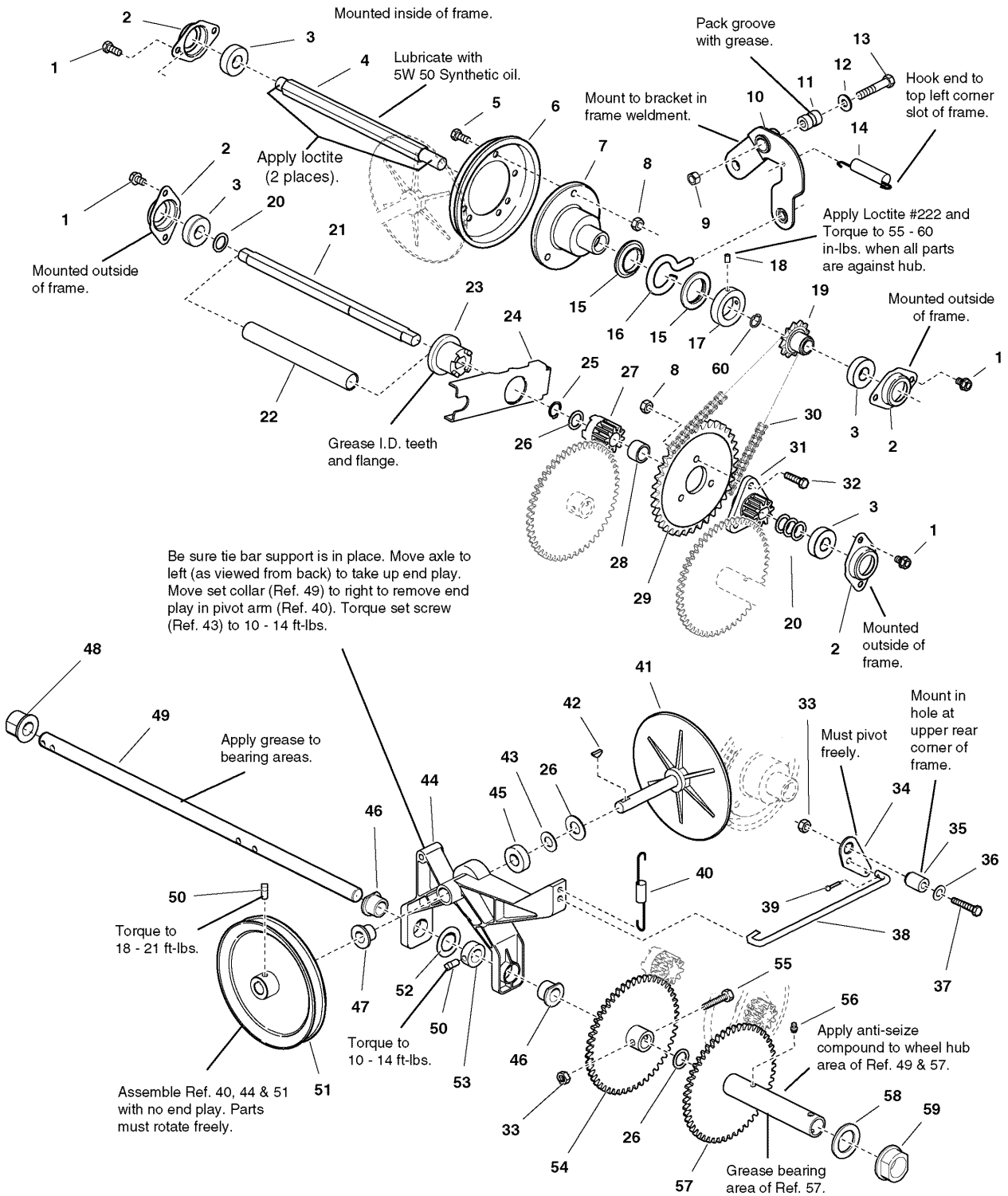
The above parts group applies to the following Mfg. Nos.:

1695303 - P1524E	1695308 - P1732EX
1695304 - P1524EX	1695309 - P1738E
1695305 - P1628E	1695310 - P1738EX
1695306 - P1628EX	
1695307 - P1732E	

Traction Drive Group

NOTE: Unless noted otherwise, use the standard hardware torque specification chart.

987054



The above parts group applies to the following Mfg. Nos.:

- | | |
|-------------------|-------------------|
| 1695303 - P1524E | 1695308 - P1732EX |
| 1695304 - P1524EX | 1695309 - P1738E |
| 1695305 - P1628E | 1695310 - P1738EX |
| 1695306 - P1628EX | |
| 1695307 - P1732E | |

Traction Drive Group

REF NO	PART NO.	QTY.	DESCRIPTION
1	1930601SM	8	SCREW, Hex Washer Head Taptite, 5/16-18 x 5/8
2	1667341SM	4	RETAINER, Bearing
3	1705897SM	4	BEARING, Ball
4	1726856SM	1	SHAFT, Hex
5	1921332SM	3	CAPSCREW, Hex Head, 5/16-18 x 3/4 G5
6	1725428SM	1	DISC, Friction with Insert
7	1665995SM	1	HUB, Friction Disc
8	1960684SM	6	NUT, Hex Keps, 5/16-18, Conical Washer
9	1960687SM	1	NUT, Hex Flange, 3/8-16 ESNA
10	1669256SM	1	ARM ASSEMBLY, Shift w/Bushing
11	1666114SM	1	BUSHING, 19/50 ID x 3/4 OD x 1-3/100 LG
12	1924940SM	1	WASHER, 3/8
13	1923701SM	1	CAPSCREW, Hex Head, 3/8-16 x 2 G5
14	1668255SM	1	SPRING, Extension
15	1678956SM	2	COLLAR, Thrust
16	1666207SM	1	PIN, Loop
17	1667335SM	1	COLLAR, Set
18	1724333SM	2	SCREW, Set Square Head Cup Point, 1/4-20 x 1/2
19	1726931SM	1	SPROCKET, 10 Tooth
20	2860164SM	4	WASHER, 5/8
21	1718752SM	1	JACKSHAFT, Double D
22	1720298SM	1	SPRING, Complete
23	1718689SM	1	CLUTCH, Sliding, 1/5LG, Powdered Metal
24	1720078ASM	1	ARM, Clutch
25	2827732SM	1	RING, Retaining Extension
26	1960114SM	3	WASHER, 3/4
27	1718688SM	1	GEAR, Stationary Clutch
28	1679556SM	1	SPACER, Heat Treated, 31/100 LG
29	1667330SM	1	SPROCKET
30	1666980SM	1	CHAIN, Roller
31	1718687SM	1	GEAR, Double D
32	1921333SM	3	CAPSCREW, Hex Head, 5/16-18 x 1 G5
33	1960686SM	2	NUT, Hex Flange, 5/16-18 ESNA
34	1700473SM	1	BELLCRANK
35	1666106SM	1	BUSHING, 11/32 ID x 3/4 OD x 1-3/50 LG
36	1919326SM	1	WASHER, 11/32 x 3/4 x 1/16
37	1922127SM	1	CAPSCREW, Hex Head, 5/16-18 x 1-3/4 G5
38	1726467SM	1	ROD, Pivot, 9-15/100 LG
39	1722460SM	1	PIN, Quick
40	1725666SM	1	SPRING, Extension
41	1719879SM	1	DRIVE DISC w/SPINDLE
42	2818312SM	1	KEY, Woodruff, 47/250 x 5/8
43	1924366SM	1	WASHER, 5/8
44	1670849SM	1	ARM, Pivot with Bushings & Bearings (Includes Ref. Nos 45, 46, 47 & 48)

Footnotes

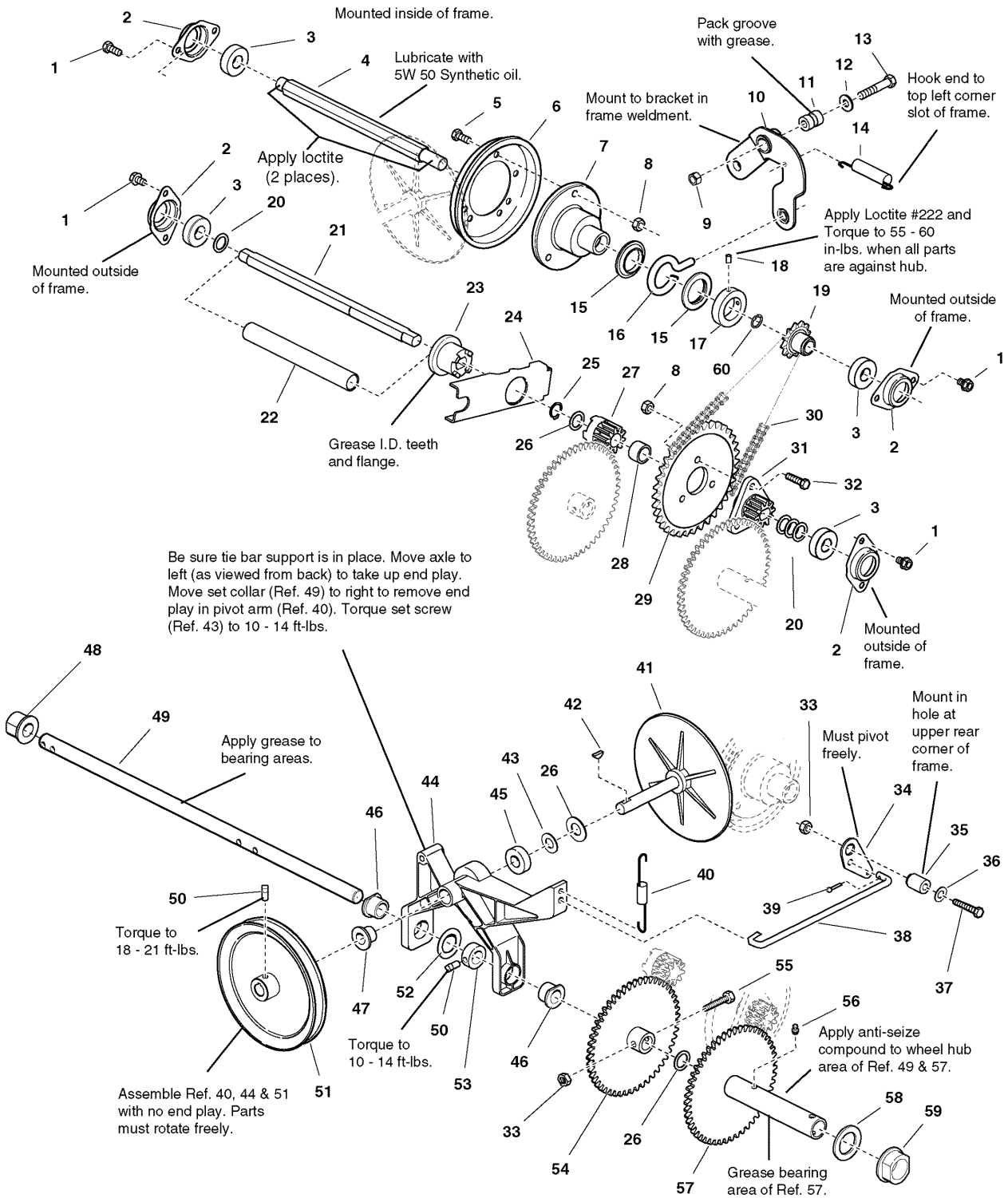
The above parts group applies to the following Mfg. Nos.:

1695303 - P1524E	1695308 - P1732EX
1695304 - P1524EX	1695309 - P1738E
1695305 - P1628E	1695310 - P1738EX
1695306 - P1628EX	
1695307 - P1732E	

Traction Drive Group

NOTE: Unless noted otherwise, use the standard hardware torque specification chart.

987054



The above parts group applies to the following Mfg. Nos.:

- | | |
|-------------------|-------------------|
| 1695303 - P1524E | 1695308 - P1732EX |
| 1695304 - P1524EX | 1695309 - P1738E |
| 1695305 - P1628E | 1695310 - P1738EX |
| 1695306 - P1628EX | |
| 1695307 - P1732E | |

Traction Drive Group

REF NO	PART NO.	QTY.	DESCRIPTION
45	1665521SM	1	BEARING, Ball
46	1666425SM	2	BUSHING, 3/4 ID x 1 OD x 3/4 LG, Powdered Metal
47	1666855SM	1	BUSHING, 5/8 ID x 13/16 OD x 3/4 LG, Powdered Metal
48	1666001SM	1	BUSHING, 377/100 ID x 1-13/100 OD x 1 LG, Powdered Metal
49	1720299SM	1	AXLE, Round
50	1928721SM	2	SCREW, Set Square Head Cup Point, 5/16-18 x 1/2 G8
51	1672595SM	1	PULLEY AND HUB ASSEMBLY
52	1919394SM	1	WASHER
53	1729254SM	1	COLLAR, Set
54	1720300SM	1	GEAR AND HUB ASSEMBLY, RH
55	1930570SM	1	CAPSCREW, Hex Head, 5/16-18 x 1-1/2 G8
56	2812808SM	1	FITTING, Lube 1/4-28, Tapped with Check Ball
57	1730228SM	1	GEAR AND HUB ASSEMBLY, with Bushings
58	2860169SM	1	WASHER, 1-47/250
59	1720305SM	1	BUSHING, 1-27/200 ID x 1-157/250 OD x 3/4 LG
60	2172206SM	1	RING, Retaining External #87

Footnotes

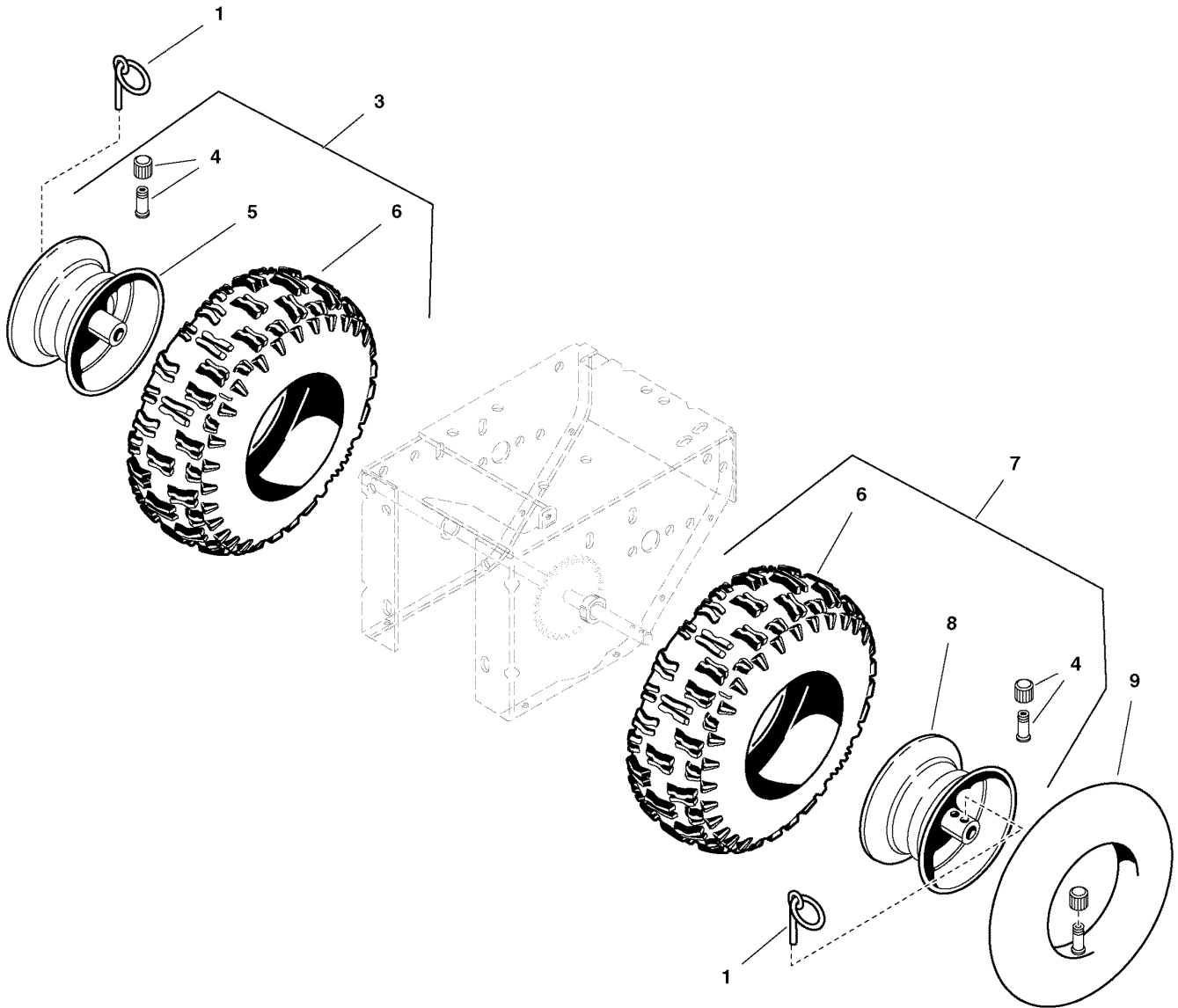
The above parts group applies to the following Mfg. Nos.:

1695303 - P1524E	1695308 - P1732EX
1695304 - P1524EX	1695309 - P1738E
1695305 - P1628E	1695310 - P1738EX
1695306 - P1628EX	
1695307 - P1732E	

Wheels & Tires Group

NOTE: Unless noted otherwise,
use the standard hardware torque
specification chart.

986549



The above parts group applies to the following Mfg. Nos.:

1695303 - P1524E	1695308 - P1732EX
1695304 - P1524EX	1695309 - P1738E
1695305 - P1628E	1695310 - P1738EX
1695306 - P1628EX	
1695307 - P1732E	

Wheels & Tires Group

REF NO	PART NO.	QTY.	DESCRIPTION
1	1731186SM	2	PIN, KLIK, Ring
3	1726743SM	1	WHEEL & TIRE ASSEMBLY, Snow R.H. (Used on 24 & 28" Models)
3	1726745SM	1	WHEEL & TIRE ASSEMBLY, Snow R.H. (Used on 32 & 38" Models)
4	2172353SM	2	VALVE STEM & CAP ASSEMBLY, Air
5	1714242SM	1	HUB, Wheel R.H., 3-3/4 Wide 8 Diameter 3/4 ID (Used on 24 & 28" Models)
5	1722762SM	1	HUB, Wheel, 5-3/8 Wide 8 Diameter 3/4 ID (Used on 32 & 38" Models)
6	1727074SM	2	TIRE, 4.80/4.00-8, X-TRAC TL (Used on 24 & 28" Models)
6	1727075SM	2	TIRE, 16 x 6.5-8 X-TRAC TL (Used on 32 & 38" Models)
7	1726742SM	1	WHEEL & TIRE ASSEMBLY, Snow L.H. (Used on 24 & 28" Models)
7	1726744SM	1	WHEEL & TIRE ASSEMBLY, Snow L.H. (Used on 32 & 38" Models)
8	1720307SM	1	HUB, Wheel L.H., 3-3/4 Wide 8 Diameter 1-1/8 ID (Used on 24 & 28" Models)
8	1722761SM	1	HUB, Wheel 5-3/8 Wide 8 Diameter 1-1/8 ID (Used on 32 & 38" Models)
9	2153038SM	2	TUBE, Tire

Footnotes

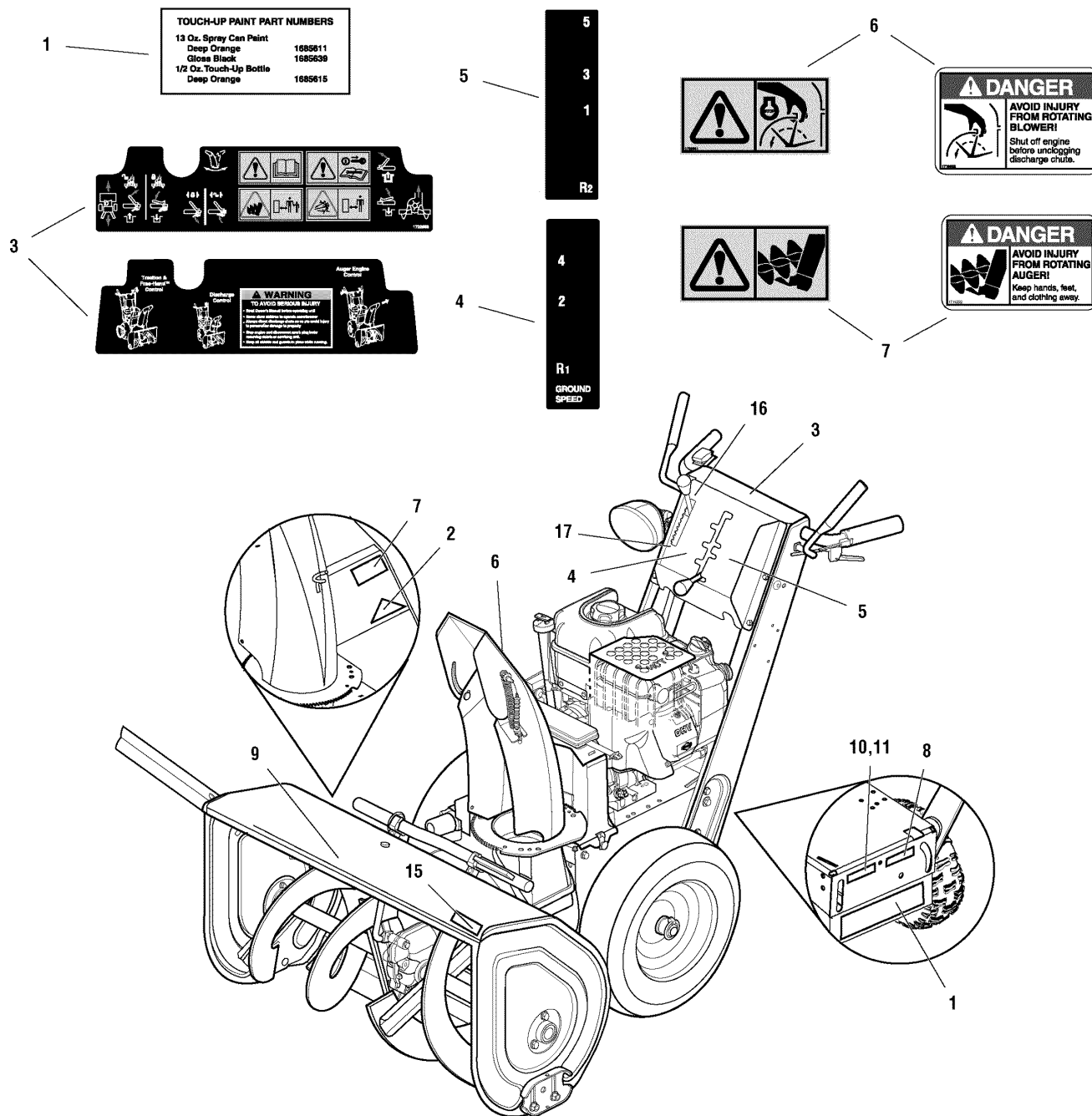
The above parts group applies to the following Mfg. Nos.:

1695303 - P1524E	1695308 - P1732EX
1695304 - P1524EX	1695309 - P1738E
1695305 - P1628E	1695310 - P1738EX
1695306 - P1628EX	
1695307 - P1732E	

Decal Group

987733

NOTE: Unless noted otherwise, use the standard hardware torque specification chart.



The above parts group applies to the following Mfg. Nos.:

- | | |
|-------------------|-------------------|
| 1695303 - P1524E | 1695308 - P1732EX |
| 1695304 - P1524EX | 1695309 - P1738E |
| 1695305 - P1628E | 1695310 - P1738EX |
| 1695306 - P1628EX | |
| 1695307 - P1732E | |

Decal Group

REF NO	PART NO.	QTY.	DESCRIPTION
1	1720454SM	1	DECAL, Touch Up Paint, Orange, Black, Red
2	*	1	DECAL, OPEI Certified ANSI B71.3 2007
3	1726947SM	1	DECAL, Dashboard EZ Turn Channel Handles
3	1727024SM	1	DECAL, Dash Instruction (CE/Export)
4	1734787SM	1	DECAL, 4 2 R1 Ground Spced RH, LF
5	1734786SM	1	DECAL, 5 3 R2 Shift Pattern LH, LF
6	7071880SM	1	DECAL, DANGER Auger - Use Snow Stick
6	1727207SM	1	DECAL, DANGER Auger - Use Snow Stick (CE/Export)
7	1716532SM	1	DECAL, Danger Avoid Injury from Auger
7	1727208SM	1	DECAL, Danger Avoid Injury from Auger (CE/Export)
8	*	1	DECAL, Patent Snowthrower
9	1733071SM	1	DECAL, Simplicity Stripe 24" Long 2007 Snow
9	1733246SM	1	DECAL, Simplicity Stripe 28" Long 2007 Snow
9	1733244SM	1	DECAL, Simplicity Stripe 32" Long 2007 Snow
9	1733074SM	1	DECAL, Simplicity Stripe 38" Long 2007 Snow
10	*	1	STICKER, Serial w/Bar Code 2.19 x 3.68 2006
11	*	1	MYLAR OVERLAY, 2.18 x 3.68 3000/ROLL
15	1734733SM	1	DECAL, Signature Pro 1524P
15	1734734SM	1	DECAL, Signature Pro 1628P
15	1734735SM	1	DECAL, Signature Pro 1732P
15	1734736SM	1	DECAL, Signature Pro 1738P
16	1734788SM	1	DECAL, Deflector Control Up
17	1734789SM	1	DECAL, Deflector Control Down
--	1725507SM	1	DECAL, Power Boost (Not Shown)

Footnotes

Note* Not a serviceable part

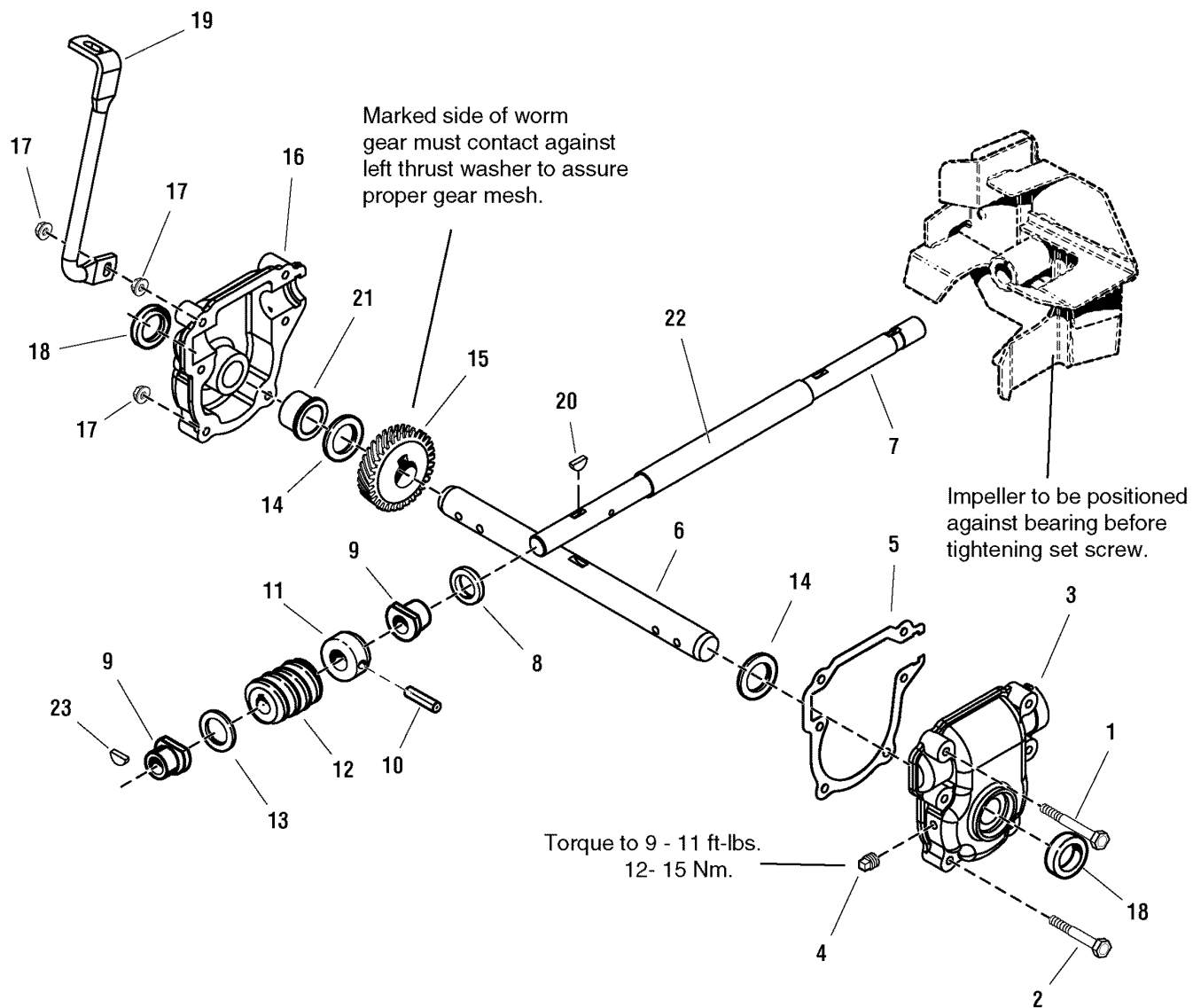
The above parts group applies to the following Mfg. Nos.:

1695303 - P1524E	1695308 - P1732EX
1695304 - P1524EX	1695309 - P1738E
1695305 - P1628E	1695310 - P1738EX
1695306 - P1628EX	
1695307 - P1732E	

Gear Box Assembly

NOTE: Unless noted otherwise, use the standard hardware torque specification chart.

1732303



The above parts group applies to the following Mfg. Nos.:

- | | |
|-------------------|-------------------|
| 1695303 - P1524E | 1695308 - P1732EX |
| 1695304 - P1524EX | 1695309 - P1738E |
| 1695305 - P1628E | 1695310 - P1738EX |
| 1695306 - P1628EX | |
| 1695307 - P1732E | |

Gear Box Assembly

REF NO	PART NO.	QTY.	DESCRIPTION
1	1923282SM	1	CAPSCREW, 1/4-20 x 2-1/2
2	1960346SM	5	CAPSCREW, 1/4-20 x 2-1/4
3	1612136SM	1	GEAR CASE, L.H.
4	1668971SM	1	TAPERED PIPE PLUG
5	1612124SM	1	GASKET
6	1732440SM	1	SHAFT, Auger Cutoff
7	1732182SM	1	SHAFT, Worm Cutoff
8	1612093SM	2	SEAL, Oil
9	1612149SM	2	FLANGE BUSHING
10	2836098SM	1	PIN, Drive Lock
11	1612127SM	1	THRUST COLLAR
12	1612142SM	1	ROLLED WORM CASE
13	2168111SM	1	THRUST WASHER
14	2118315SM	2	THRUST WASHER
15	1612141SM	1	GEAR, Worm
16	1612137SM	1	GEAR CASE, R.H.
17	1930642SM	7	NUT, Top Lock Flange 1/4-20
18	2118118SM	1	SEAL
19	1732152SM	1	WIREFORM BRACKET
20	2818312SM	1	KEY, Woodruff .18 x .62
21	1732991SM	2	BUSHING
22	1612111SM	1	TUBE
23	2830246SM	1	KEY, Woodruff 1/4 x 3/4

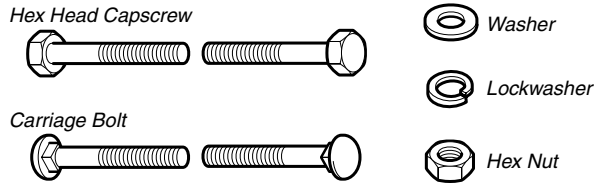
Footnotes

The above parts group applies to the following Mfg. Nos.:

1695303 - P1524E	1695308 - P1732EX
1695304 - P1524EX	1695309 - P1738E
1695305 - P1628E	1695310 - P1738EX
1695306 - P1628EX	
1695307 - P1732E	

Hardware Identification & Torque Specifications

Common Hardware Types

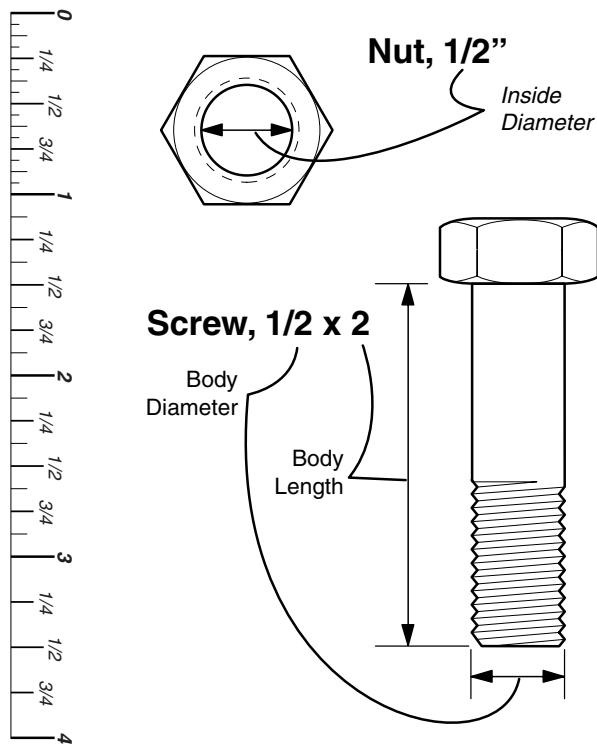


Standard Hardware Sizing

When a washer or nut is identified as 1/2", this is the *Nominal size*, meaning the *inside diameter* is 1/2 inch; if a second number is present it represents the *threads per inch*

When bolt or capscrew is identified as 1/2 - 16 x 2", this means the *Nominal size*, or *body diameter* is 1/2 inch; the second number represents the *threads per inch* (16 in this example, and the final number is the *body length* of the bolt or screw (in this example 2 inches long).

The guides and ruler furnished below are designed to help you select the appropriate hardware and tools.



Torque Specification Chart

FOR STANDARD MACHINE HARDWARE (Tolerance ± 20%)

Hardware Grade	No Marks SAE Grade 2		SAE Grade 5		SAE Grade 8	
	in/lbs ft/lbs	Nm.	in/lbs ft/lbs	Nm.	in/lbs ft/lbs	Nm.
8-32	19	2.1	30	3.4	41	4.6
8-36	20	2.3	31	3.5	43	4.9
10-24	27	3.1	43	4.9	60	6.8
10-32	31	3.5	49	5.5	68	7.7
1/4-20	66	7.6	8	10.9	12	16.3
1/4-28	76	8.6	10	13.6	14	19.0
5/16-18	11	15.0	17	23.1	25	34.0
5/16-24	12	16.3	19	25.8	27	34.0
3/8-16	20	27.2	30	40.8	45	61.2
3/8-24	23	31.3	35	47.6	50	68.0
7/16-14	30	40.8	50	68.0	70	95.2
7/16-20	35	47.6	55	74.8	80	108.8
1/2-13	50	68.0	75	102.0	110	149.6
1/2-20	55	74.8	90	122.4	120	163.2
9/16-12	65	88.4	110	149.6	150	204.0
9/16-18	75	102.0	120	163.2	170	231.2
5/8-11	90	122.4	150	204.0	220	299.2
5/8-18	100	136	180	244.8	240	326.4
3/4-10	160	217.6	260	353.6	386	525.0
3/4-16	180	244.8	300	408.0	420	571.2
7/8-9	140	190.4	400	544.0	600	816.0
7/8-14	155	210.8	440	598.4	660	897.6
1-8	220	299.2	580	788.8	900	1,244.0
1-12	240	326.4	640	870.4	1,000	1,360.0

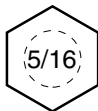
NOTES

- These torque values are to be used for all hardware excluding: locknuts, self-tapping screws, thread forming screws, sheet metal screws and socket head setscrews.
- Recommended seating torque values for locknuts:
 - for prevailing torque locknuts - use 65% of grade 5 torques.
 - for flange whizlock nuts and screws - use 135% of grade 5 torques.
- Unless otherwise noted on assembly drawings, all torque values must meet this specification.

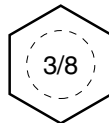
Wrench & Fastener Size Guide



1/4" Bolt or Nut
Wrench—7/16"



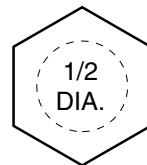
5/16" Bolt or Nut
Wrench—1/2"



3/8" Bolt or Nut
Wrench—9/16"



7/16" Bolt or Nut
Wrench (Bolt)—5/8"
Wrench (Nut)—11/16"



1/2" Bolt or Nut
Wrench—3/4"

Simplicity

MANUFACTURING, INC.
500 N. Spring Street / PO Box 997
Port Washington, WI 53074-0997 USA

www.simplicitymfg.com

Briggs and Stratton Yard Power Products Group
Copyright © 2001 by Briggs and Stratton Corporation
Milwaukee, WI, USA. All rights reserved

