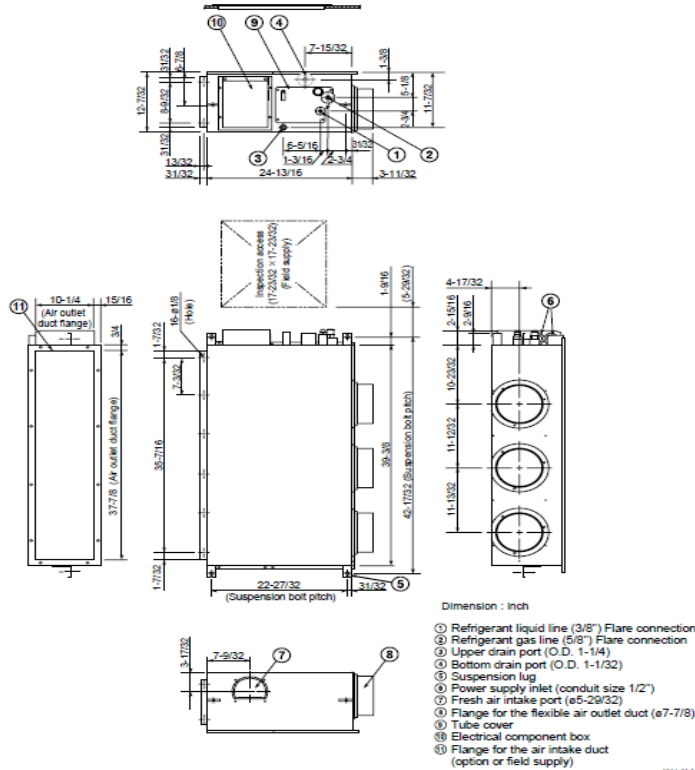


Dimensional Data for 26U72R

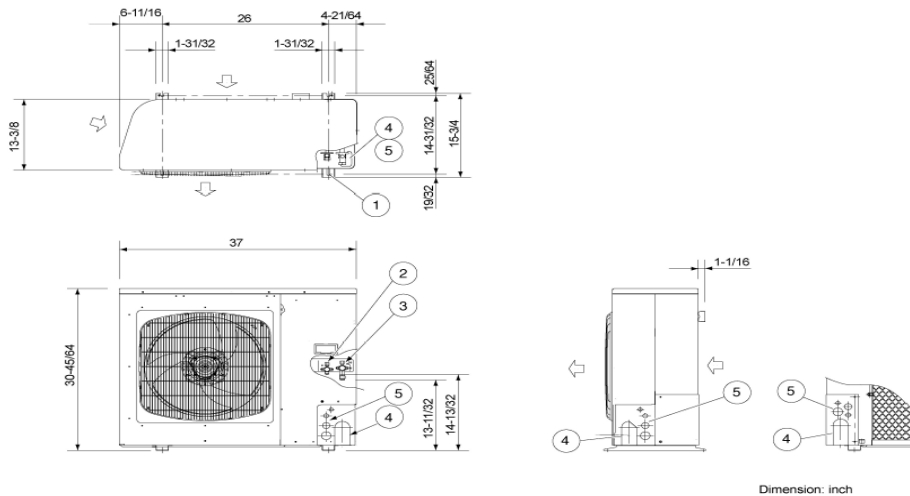
Indoor unit : UH2672R

Indoor unit : Concealed Duct Type
26 Type



004_01

(B) Outdoor Unit: CH2672R, C2672R CH3072R, C3072R CH3672R, C3672R



①	Hole for anchor bolt (4-R6.5) / Anchor bolt: M10
②	Refrigerant tube joint (liquid line tube) • Flare connection 3/8 in (9.52 mm)
③	Refrigerant tube joint (gas line tube) • Flare connection 5/8 in (15.88 mm)
④	Refrigerant tubing inlet (knock-out hole)
⑤	Power supply inlet (knock-out hole ϕ 38, ϕ 29, ϕ 19, ϕ 16 mm)