

Attachment Illustrated Parts List



Attachment

Mfg. No.	Description
1695299	54" Turbo Blower

Simplicity

MANUFACTURING, INC.
500 N. Spring Street / PO Box 997
Port Washington, WI 53074-0997 USA

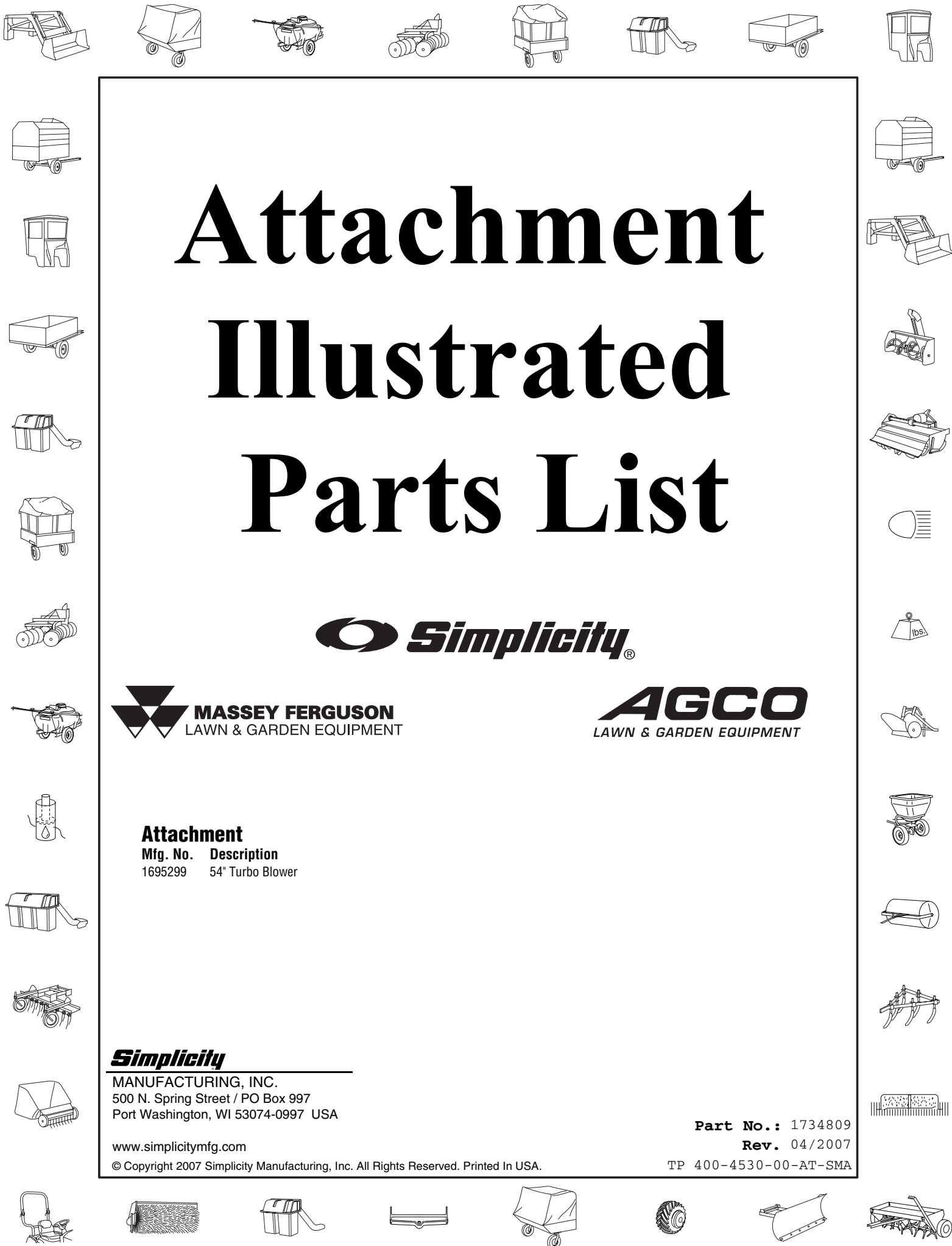
www.simplicitymfg.com

© Copyright 2007 Simplicity Manufacturing, Inc. All Rights Reserved. Printed In USA.

Part No.: 1734809

Rev. 04/2007

TP 400-4530-00-AT-SMA

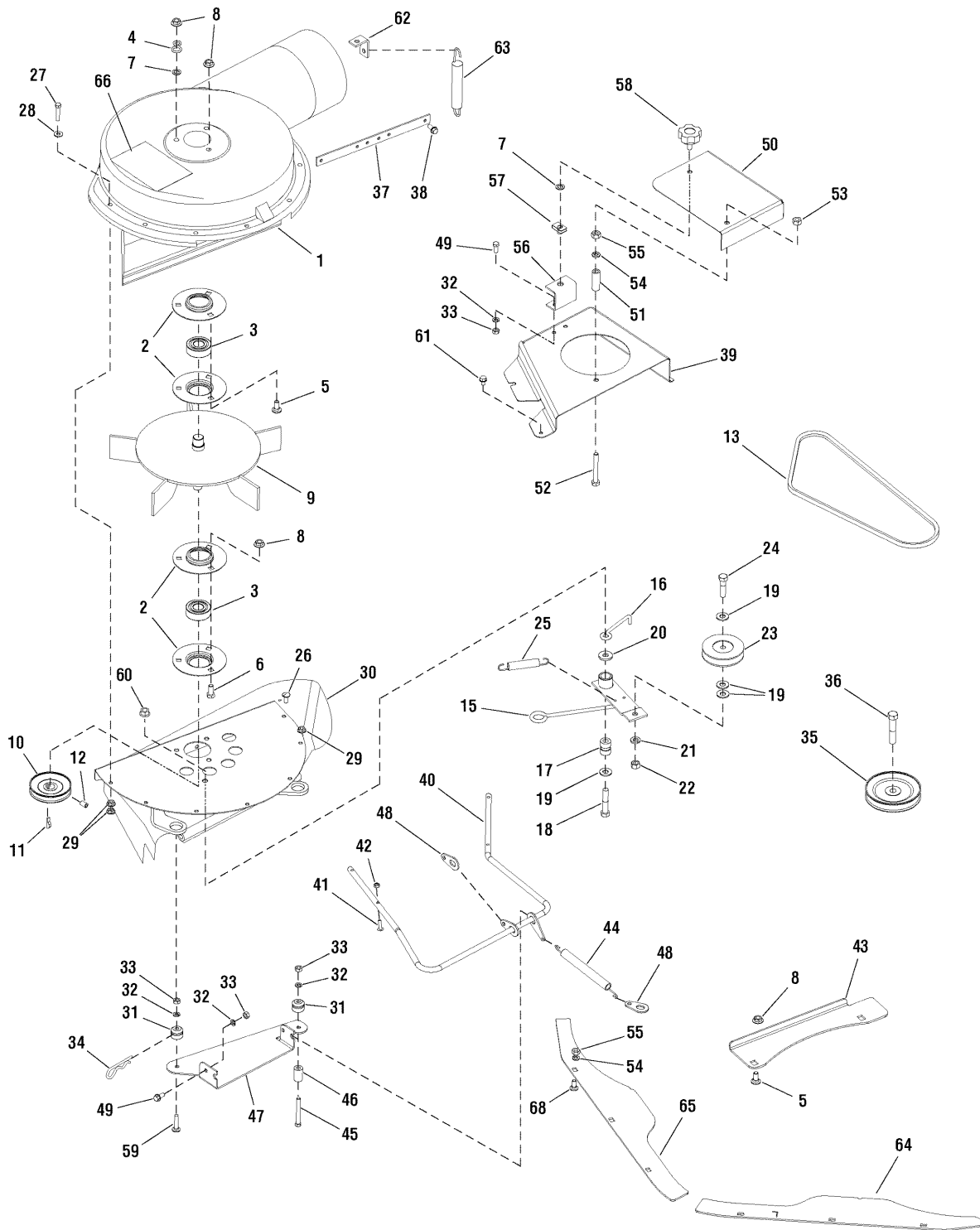


PRODUCT COMPONENTS	PAGES
Mower Driven Vac Group	4
Torque Specification Chart	Inside Back Cover

Mower Driven Vac Group

987705

NOTE: Unless noted otherwise,
use the standard hardware torque
specification chart.



The above parts group applies to the following Mfg. Nos.:
1695299 - 54" Turbo Blower

Mower Driven Vac Group

REF NO	PART NO.	QTY.	DESCRIPTION
1	1720742SM	1	TURBO HOUSING, Fan
2	1665982SM	4	RETAINER, Bearing
3	2108202SM	2	BEARING
4	1672689SM	1	"S" HOOK
5	1931333SM	5	BOLT, Carriage, 5/16 - 18 x 3/4 (Qty of 2 included in Ref. No. 69)
6	1921332SM	3	CAPSCREW, 5/16 - 18 x 3/4
7	1933988SM	4	PUSH NUT, 5/16
8	1927557SM	8	NUT, Flange Lock, 5/16 - 18 (Qty of 2 included in Ref. No. 69)
9	1706631ASM	1	FAN ASSEMBLY
10	1706634SM	1	PULLEY ASSEMBLY
11	2860403SM	1	KEY, Woodruff, #61
12	1960619SM	2	SCREW, Set Torx, 5/16 - 18 x 5/16
13	1720932SM	1	V-BELT, 3L 36.9
14	-----	1	DECAL, Patent (Not shown, not serviceable)
15	1720934ASM	1	IDLER ARM ASSEMBLY
16	1704419SM	1	BELT STOP
17	1666114SM	1	BUSHING
18	1923701SM	1	CAPSCREW, 3/8 - 16 x 2
19	1924940SM	4	WASHER, 3/8
20	1922755SM	1	WASHER, 3/8
21	1916965SM	1	LOCKWASHER, Spring, 3/8
22	1916950SM	1	NUT, Hex, 3/8 - 16
23	2174561SM	1	PULLEY, Idler
24	1921969SM	1	CAPSCREW, Hex Head, 3/8 - 16 x 1-1/2, G5
25	2174896SM	1	SPRING, Extension
26	1935945SM	6	SCREW, Truss Head Phillips, 1/4 - 20 x 3/4
27	1921961SM	1	CAPSCREW, Hex Head, 1/4 - 20 x 1-1/4, G5
28	1921319SM	1	WASHER, 1/4
29	1920397SM	8	NUT, Hex Lock ESNA, 1/4 - 20
30	1720721ASM	1	PLATE ASSEMBLY
31	1720718SM	2	PIN, Pivot (Included in Ref. No. 69)
32	1916964SM	6	LOCKWASHER, Spring, 1/4 (Qty of 4 included in Ref. No. 69)
33	1916622SM	6	NUT, Hex, 1/4 - 20 (Qty of 4 included in Ref. No. 69)
34	1704628SM	2	CLIP, Hairpin
35	1720737SM	1	PULLEY ASSEMBLY (Included in Ref. No. 69)
36	1927120SM	1	CAPSCREW, Hex Head, 7/16 - 14 x 2-1/4, G8 (Included in Ref. No. 69)
37	1706630ASM	1	STRAP
38	1927429SM	3	SCREW, Hex Washer Head Taptite, 1/4 - 20 x 5/8
39	1734303ASM	1	COVER, Arbor R.H. Turbo
40	1720951SM	1	ROD & ANCHOR
41	1960404SM	4	SCREW, Truss Head Phillips, #10 - 24 x 3/4 (Included in Ref. No. 69)
42	1933896SM	4	NUT, Nylon Hex Lock, 10-24 (Included in Ref. No. 69)
43	1720749ASM	1	PLATE, Support
44	1719590SM	1	SPRING, Extension (Included in Ref. No. 69)

Footnotes

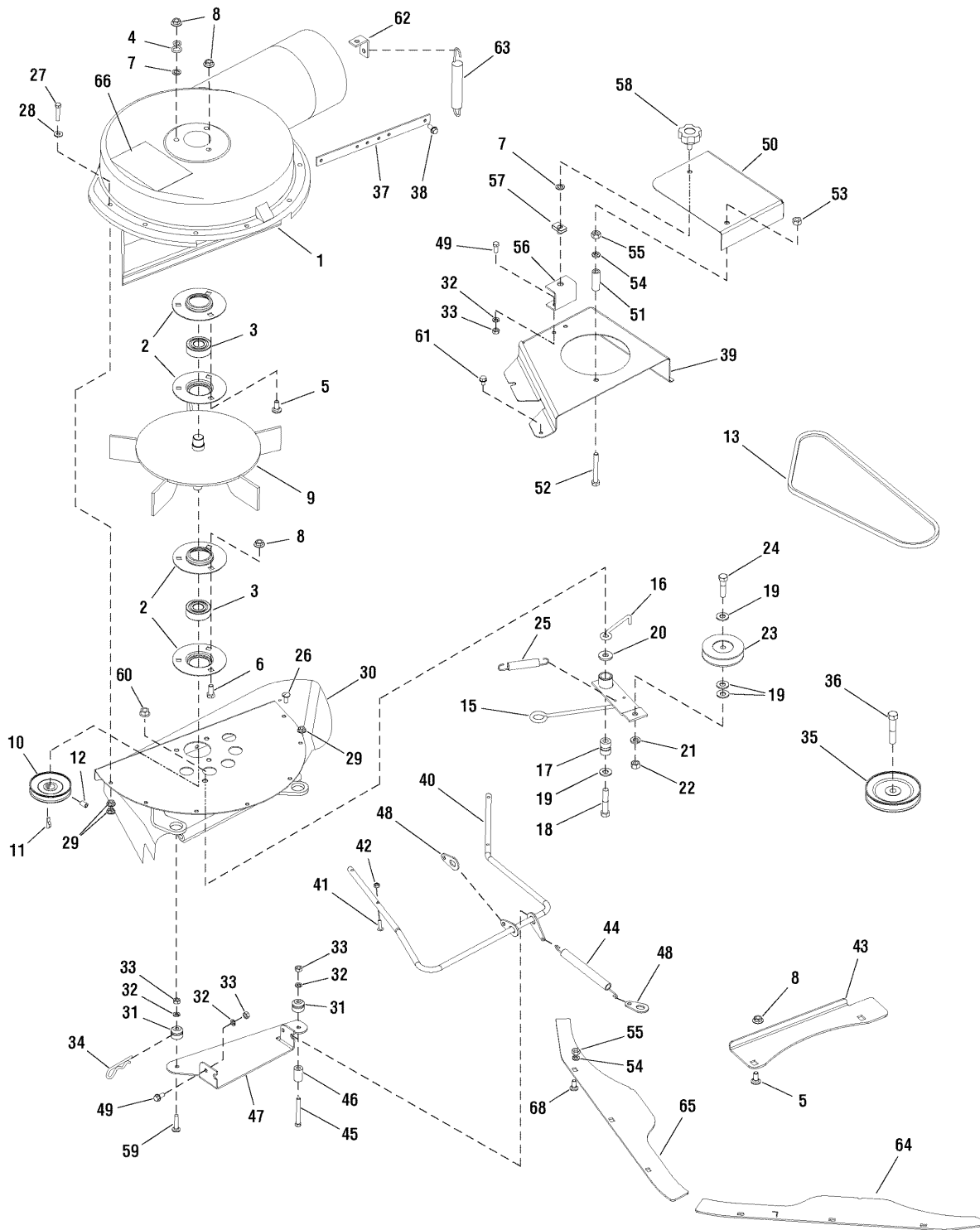
The above parts group applies to the following Mfg. Nos.:

1695299 - 54" Turbo Blower

Mower Driven Vac Group

987705

NOTE: Unless noted otherwise,
use the standard hardware torque
specification chart.



The above parts group applies to the following Mfg. Nos.:
1695299 - 54" Turbo Blower

Mower Driven Vac Group

REF NO	PART NO.	QTY.	DESCRIPTION
48	1720921SM	3	TAB, Locking (Included in Ref. No. 69)
49	1921959SM	4	CAPSCREW, Hex Head, 1/4 - 20 x 5/8 (Qty of 2 included in Ref. No. 69)
50	1720918ASM	1	COVER
51	1713588SM	1	SPACER
52	1921719SM	1	CAPSCREW, Hex Head, 5/16 - 18 x 2-1/2, G5
53	1919438SM	1	NUT, Hex Lock ESNA, 5/16 - 18
54	1917356SM	7	LOCKWASHER, Spring, 5/16 (Qty of 6 included in Ref. No. 69)
55	1917372SM	7	NUT, Hex, 5/16 - 18 (Qty of 6 included in Ref. No. 69)
56	1700654ASM	1	BRACKET, "C"
57	1935255SM	1	NUT, Speed, 5/16 - 18
58	1700669SM	1	KNOB, Plastic
59	1931320SM	1	BOLT, Carriage, 1/4 - 20 x 1-1/4 (Included in Ref. No. 69)
60	1930645SM	1	NUT, Hex Two-Way Lock Flange, 3/8 - 16
61	1929000SM	2	SCREW, Hex Washer Head Taptite, 1/4 - 20 x 3/8 (Included in Ref. No. 69)
62	1668500SM	1	BRACKET, "L"
63	1727149SM	1	SPRING, Extension
64	1720613ASM	1	BAFFLE, Front L.H.
65	1721023ASM	1	BAFFLE, Front R.H.
66	1700259SM	1	DECAL, Danger Thrown Objects
68	1931332SM	6	BOLT, Carriage, 5/16 - 18 x 3/4 (Included in Ref. No. 69)
69	1660617SM	1	HARDWARE BAG
70	1720927	1	INSTRUCTION MANUAL (Not shown)

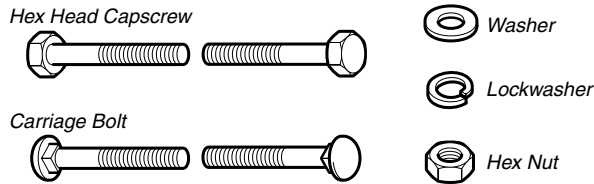
Footnotes

The above parts group applies to the following Mfg. Nos.:

1695299 - 54" Turbo Blower

Hardware Identification & Torque Specifications

Common Hardware Types

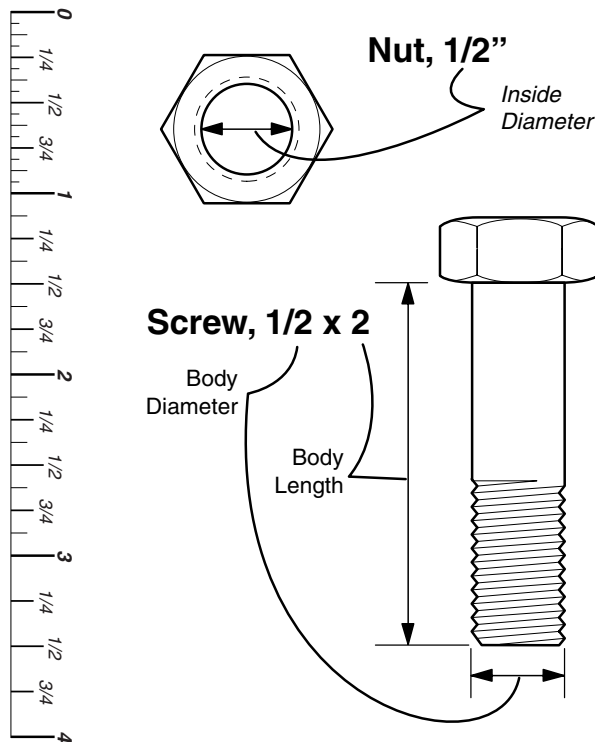


Standard Hardware Sizing

When a washer or nut is identified as **1/2"**, this is the *Nominal size*, meaning the *inside diameter* is 1/2 inch; if a second number is present it represent the *threads per inch*

When bolt or capscrew is identified as **1/2 - 16 x 2"**, this means the *Nominal size*, or *body diameter* is 1/2 inch; the second number represents the *threads per inch* (16 in this example, and the final number is the *body length* of the bolt or screw (in this example 2 inches long).

The guides and ruler furnished below are designed to help you select the appropriate hardware and tools.



Torque Specification Chart						
FOR STANDARD MACHINE HARDWARE (Tolerance ± 20%)						
Hardware Grade	No Marks SAE Grade 2		SAE Grade 5		SAE Grade 8	
	in/lbs ft/lbs	Nm.	in/lbs ft/lbs	Nm.	in/lbs ft/lbs	Nm.
8-32	19	2.1	30	3.4	41	4.6
8-36	20	2.3	31	3.5	43	4.9
10-24	27	3.1	43	4.9	60	6.8
10-32	31	3.5	49	5.5	68	7.7
1/4-20	66	7.6	8	10.9	12	16.3
1/4-28	76	8.6	10	13.6	14	19.0
5/16-18	11	15.0	17	23.1	25	34.0
5/16-24	12	16.3	19	25.8	27	34.0
3/8-16	20	27.2	30	40.8	45	61.2
3/8-24	23	31.3	35	47.6	50	68.0
7/16-14	30	40.8	50	68.0	70	95.2
7/16-20	35	47.6	55	74.8	80	108.8
1/2-13	50	68.0	75	102.0	110	149.6
1/2-20	55	74.8	90	122.4	120	163.2
9/16-12	65	88.4	110	149.6	150	204.0
9/16-18	75	102.0	120	163.2	170	231.2
5/8-11	90	122.4	150	204.0	220	299.2
5/8-18	100	136	180	244.8	240	326.4
3/4-10	160	217.6	260	353.6	386	525.0
3/4-16	180	244.8	300	408.0	420	571.2
7/8-9	140	190.4	400	544.0	600	816.0
7/8-14	155	210.8	440	598.4	660	897.6
1-8	220	299.2	580	788.8	900	1,244.0
1-12	240	326.4	640	870.4	1,000	1,360.0

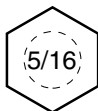
NOTES

- These torque values are to be used for all hardware excluding: locknuts, self-tapping screws, thread forming screws, sheet metal screws and socket head setscrews.
- Recommended seating torque values for locknuts:
 - for prevailing torque locknuts - use 65% of grade 5 torques.
 - for flange whizlock nuts and screws - use 135% of grade 5 torques.
- Unless otherwise noted on assembly drawings, all torque values must meet this specification.

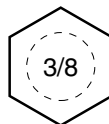
Wrench & Fastener Size Guide



1/4" Bolt or Nut
Wrench—7/16"



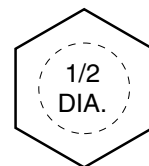
5/16" Bolt or Nut
Wrench—1/2"



3/8" Bolt or Nut
Wrench—9/16"



7/16" Bolt or Nut
Wrench (Bolt)—5/8"
Wrench (Nut)—11/16"



1/2" Bolt or Nut
Wrench—3/4"

