



**Auto-Open Trash Can
with Smart Sensor Control**

OWNER'S MANUAL

Model GC610C

3.0 Volt DC



EURO-PRO Operating LLC
U.S.: 94 Main Mill Street, Door 16 Canada: 4400 Bois-Franc
Plattsburgh, NY 12901 St-Laurent, QC H4S 1A7
Tel. :1 (800) 798-7398
www.sharkcompany.com



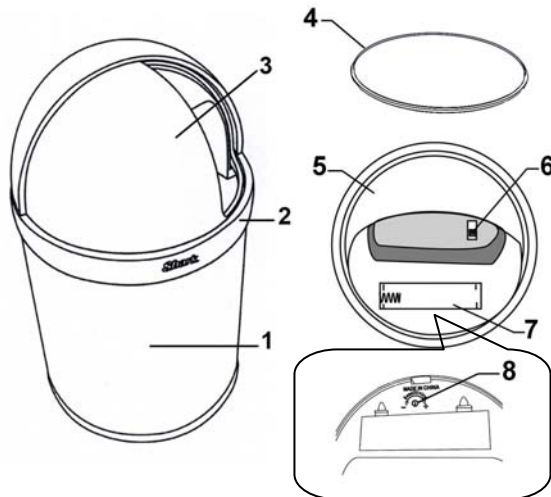
IMPORTANT SAFETY INSTRUCTIONS

When using your Auto-Open Trash Can basic safety precautions should always be observed, including the following:

1. Read all instructions before using your auto-open trash can.
2. Use the system only for its intended use.
3. To protect against a risk of electric shock, or damage to the unit do not immerse any part of the cover in water or other liquids.
4. **Do Not** allow cover to touch hot surfaces.
5. **Do Not** operate the system with damaged or leaking batteries. Do not disassemble or attempt to repair the unit. Return the system to **EURO-PRO Operating LLC** (see warranty) for examination and repair. Incorrect re-assembly or repair can cause a risk of damage to the unit.
6. **Do Not** use to collect flammable or combustible liquids such as gasoline or use in areas where they may be present.
7. **Do Not** collect anything that is burning or smoking such as cigarettes, matches or hot ashes.
8. **Do Not** over-stuff garbage can as this could lead to damage to the moving parts or impede performance.
9. **Do Not** mix new batteries with old batteries, always replace both at the same time.
10. **Do Not** place electrostatic garbage can near any heat source such as baseboard heaters or fireplaces.
11. This appliance is intended only for household use. Follow all user instructions in this manual.

SAVE THESE INSTRUCTIONS For Household Use Only

GETTING TO KNOW YOUR AUTO-OPEN TRASH CAN



1. Garbage Can Base
2. Garbage Can Lid
3. Automatic Cover
4. Bin Ring
5. Underside of Lid
6. On/Off Switch
7. Battery compartment
8. Proximity Sensor Adjustment Dial

Technical Specifications

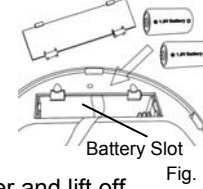
Voltage: 3.0 Volt DC

Illustrations may differ from actual product.

Installing / Changing the Batteries

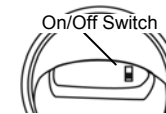
This unit requires 2 “D” batteries, not included.

1. Remove the garbage can lid from the garbage can base.
2. Turn the garbage can lid upside down to locate battery door panel.
3. Pull tabs towards cover and lift off.
4. Ensure that both the negative ends of batteries are in direction of spring. (Fig. 1)
5. Place in battery compartment and align tabs on door panel to replace battery cover.



On/Off Switch

1. The On/Off switch is located on the underside of the garbage can lid. (Fig. 2)
2. To turn the unit “On”, pull the On/Off switch towards you to the “On” position. To turn the unit “Off”, push the On/Off switch in to the “Off” position.

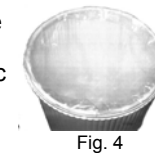
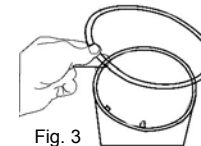


Proximity Sensor

The proximity sensor has been pre-set by the factory for a 4-inch distance which is optimal. We do not recommend that you adjust this setting as it will be difficult to reset at the pre-set distance.

To Insert a Garbage Bag

1. Remove the automatic cover from the unit.
2. Remove the bin ring. (Fig. 3)
3. Wrap a garbage bag around the bin ring from the inside out.
4. Secure the bin ring with the garbage bag into the rim of the garbage can. (Fig. 4)
5. Replace the automatic cover back onto the garbage can making sure that the cover snaps into place.



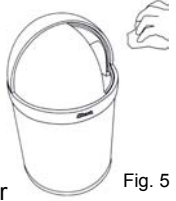
CAUTION: Be careful when replacing the cover onto the unit so that you do not catch your fingers when securing the lid onto the unit.

To Operate the Garbage Can

Once the batteries are in place and the unit is switched on, a simple hand movement near the garbage will trigger the automatic cover to open. (Fig. 5)

Please note that the cover will automatically close after four (4) seconds unless more movement is detected.

1. Make sure that the On/Off switch is in the “On” position.
2. Set the proximity sensor to the desired setting.
3. As you approach the garbage can, the automatic door will open. (Fig. 6)
4. Toss the trash in the garbage can once the lid is open all the way.
5. As you leave the garbage can it will begin to close, ready for the next time you need it. (Fig. 7)



Cleaning the Garbage Can

1. Remove the lid from the garbage can.
 2. Remove the batteries before cleaning.
 3. Wipe the lid with a damp cloth and a mild detergent.
- NOTE:** Do not immerse lid in water, this can cause damage.
4. The base of the garbage can be cleaned with a mild detergent.
 5. Make sure garbage can and lid are dry.
 6. Re-insert batteries, and assemble the garbage can.

Troubleshooting

1. If the cover on your garbage can does not rotate freely:
 - a) Gently shake the cover up and down or side to side to set the cover back into its original place.
2. If your unit does not operate properly:
 - a) Turn “On/Off” switch to “On” position.
 - b) Check to see if batteries are properly installed.
 - c) Batteries need replacing.
 - d) Adjust proximity sensor.

ONE (1) YEAR LIMITED WARRANTY

EURO-PRO Operating LLC warrants this product to be free from defects in material and workmanship for a period of one (1) year from the date of the original purchase, when utilized for normal household use, subject to the following conditions, exclusions and exceptions.

If your appliance fails to operate properly while in use under normal household conditions within the warranty period, return the complete appliance and accessories, freight prepaid to:

US.: **EURO-PRO Operating LLC**, 94 Main Mill Street, Door 16, Plattsburgh, NY 12901
CANADA: **EURO-PRO Operating LLC**, 4400 Bois Franc, St Laurent Qc H4S 1A7

If the appliance is found to be defective in material or workmanship, **EURO-PRO Operating LLC** will repair or replace it free of charge. Proof of purchase, date and \$9.95 to cover the cost of return shipping and handling must be included. *

Non-durable parts including, without limitation, those which normally require replacement are specifically excluded from warranty.

The liability of **EURO-PRO Operating LLC** is limited solely to the cost of the repair or replacement of the unit at our option. This warranty does not cover normal wear of parts and does not apply to any unit that has been tampered with or used for commercial purposes. This limited warranty does not cover damage caused by misuse, abuse, negligent handling or damage due to faulty packaging or mishandling in transit. This warranty does not cover damage or defects caused by or resulting from damages from shipping or repairs, service or alterations to the product or any of its parts, which have been performed by a repair person not authorized by **EURO-PRO Operating LLC**.

This warranty is extended to the original purchaser of the unit and excludes all other legal and/or conventional warranties. The responsibility of **EURO-PRO Operating LLC** if any, is limited to the specific obligations expressly assumed by it under the terms of the limited warranty. **In no event is EURO-PRO Operating LLC** liable for incidental or consequential damages of any nature whatsoever. Some states/provinces do not permit the exclusion or limitation of incidental or consequential damages, so the above may not apply to you.

This warranty gives you specific legal rights, and you may also have other rights which vary from state to state or province to province.

***Important: Carefully pack item to avoid damage in shipping. Be sure to include proof of purchase date and to attach tag to item before packing with your name, complete address and phone number with a note giving purchase information, model number and what you believe is the problem with item. We recommend you insure the package (as damage in shipping is not covered by your warranty). Mark the outside of your package "ATTENTION CUSTOMER SERVICE". We are constantly striving to improve our products, therefore the specifications contained herein are subject to change without notice.**



OWNERSHIP REGISTRATION CARD FOR CANADIAN CONSUMERS ONLY

Please fill out and mail the product registration card within ten (10) days of purchase. The registration will enable us to contact you in the unlikely event of a product safety notification. By returning this card you acknowledge to have read and understood the instructions for use, and warnings set forth in the accompanying instructions.

RETURN TO **EURO-PRO Operating LLC**, 4400 Bois Franc, St Laurent, Qc H9S 1A7

Model GC610C
Appliance model

Date purchased Name of store

Owner's name

Address City Province Postal code