



The Senco all battery-powered AirFree 41 allows you to quickly attack a variety of tasks. No hoses to trip over. No cords to tie you down. And no compressor to move from spot to spot. It's the perfect finish nailer for medium to heavy-duty jobs, driving up to 750 nails per battery charge. Perfectly balanced and easy to use with its comfort grip and cushioned trigger, the AirFree 41 drives 15 gauge nails from 1/4" to 2 1/2". And it comes with proven features, like adjustable depth-of-drive control, EZ-Clear, and a no-mar pad for perfect finishing.

Applications:

For medium to heavy-duty jobs (crown molding, baseboards, door and window casings, decorative trim and cabinet face frames)

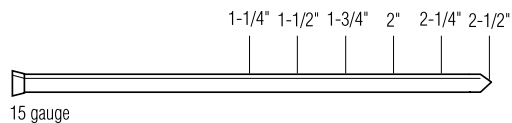
Features and Benefits:

- Drives up to 750 nails per charge
- Includes two 14.4v/2ah batteries
- One hour battery charger
- No compressor set-up
- No expensive and smelly fuel cells
- Adjustable depth-of-drive
- Comfort grip and cushioned trigger
- EZ-Clear, no-mar pad for perfect finishing, and a belt drive for quiet operation
- Belt Hook
- One year warranty

Tool Specifications:

Weight: 7.5 lbs. (3.4 kg)
Height: 13" (330.2 mm)
Length: 12 7/8" (327.0 mm)
Nail Capacity: 110
Battery Voltage: 14.4

Fastener Specifications:



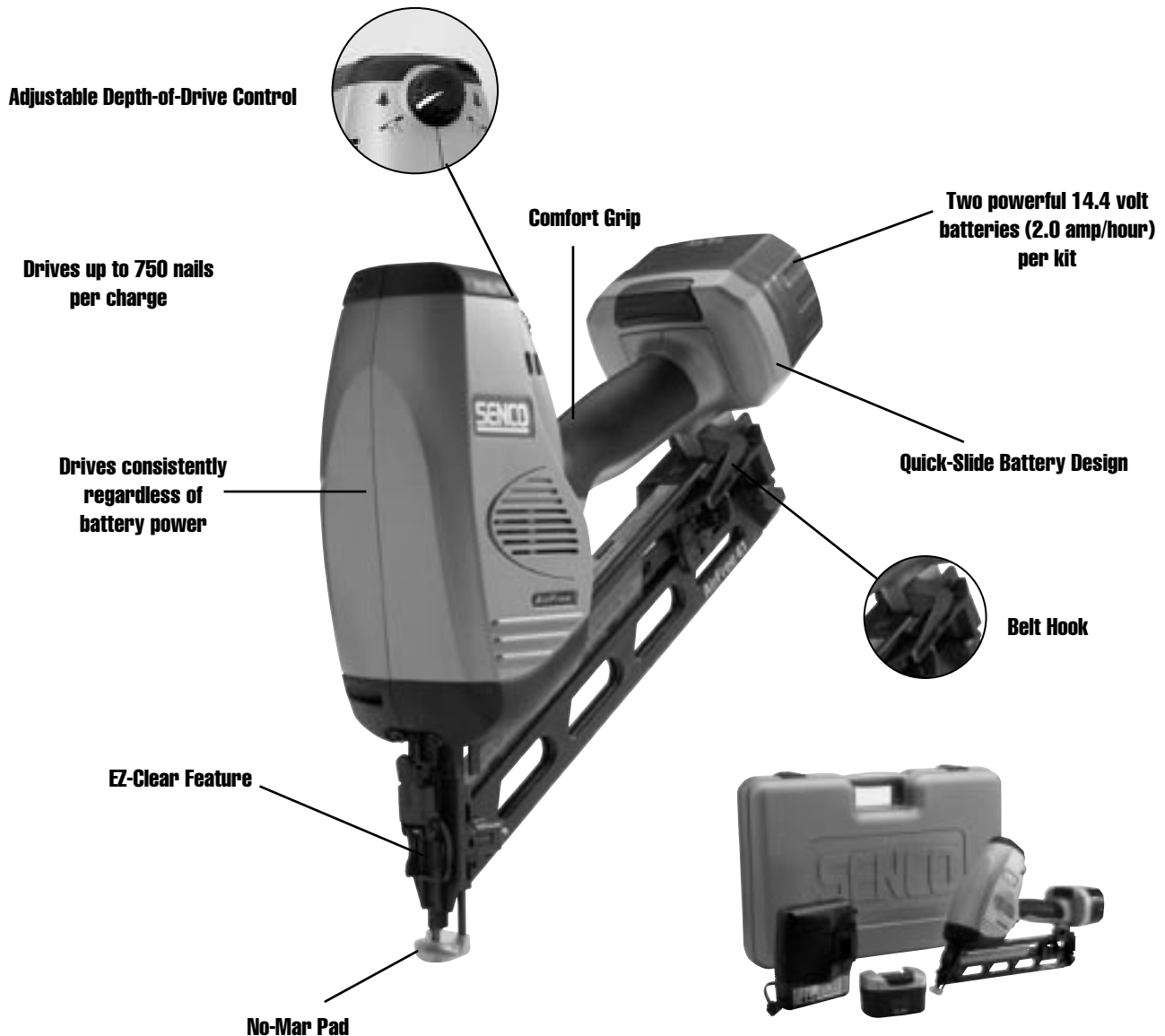
* "Restrictive Trigger" activated tools are used for applications where precision nail or staple placement is desired. You must first depress the safety element where you want to drive a nail or staple and then pull the trigger. After each nail or staple is driven, completely release the trigger and lift the tool off the work surface.

"Dual Action" activated tools are used for applications where high-production work is desired. There are two modes of operation.

Bottom Fire Method: This method of operation is sometimes called bounce firing. You must keep the trigger pulled while moving the tool along the work surface with a bouncing motion, depressing the safety element where you want to drive a nail or staple.

Trigger Fire Method: first depress the safety element where you want to drive a nail or staple and then pull the trigger.

For instructions on safe use of tools, please refer to the Operating Instructions or Customer Satisfaction and Safety Reminder contained in your tool carton.



Adjustable Depth-of-Drive Control

Drives up to 750 nails per charge

Drives consistently regardless of battery power

EZ-Clear Feature

No-Mar Pad

Comfort Grip

Two powerful 14.4 volt batteries (2.0 amp/hour) per kit

Quick-Slide Battery Design

Belt Hook

- Each tool comes complete with:**
- 2 rechargeable 14.4 volt batteries
 - One hour battery charger
 - Safety and operating instructions
 - Rugged carrying case