

Cordless Finish 41

15 ga. Finish Nailer



Parts Reference Guide



* Schematic drawings inside

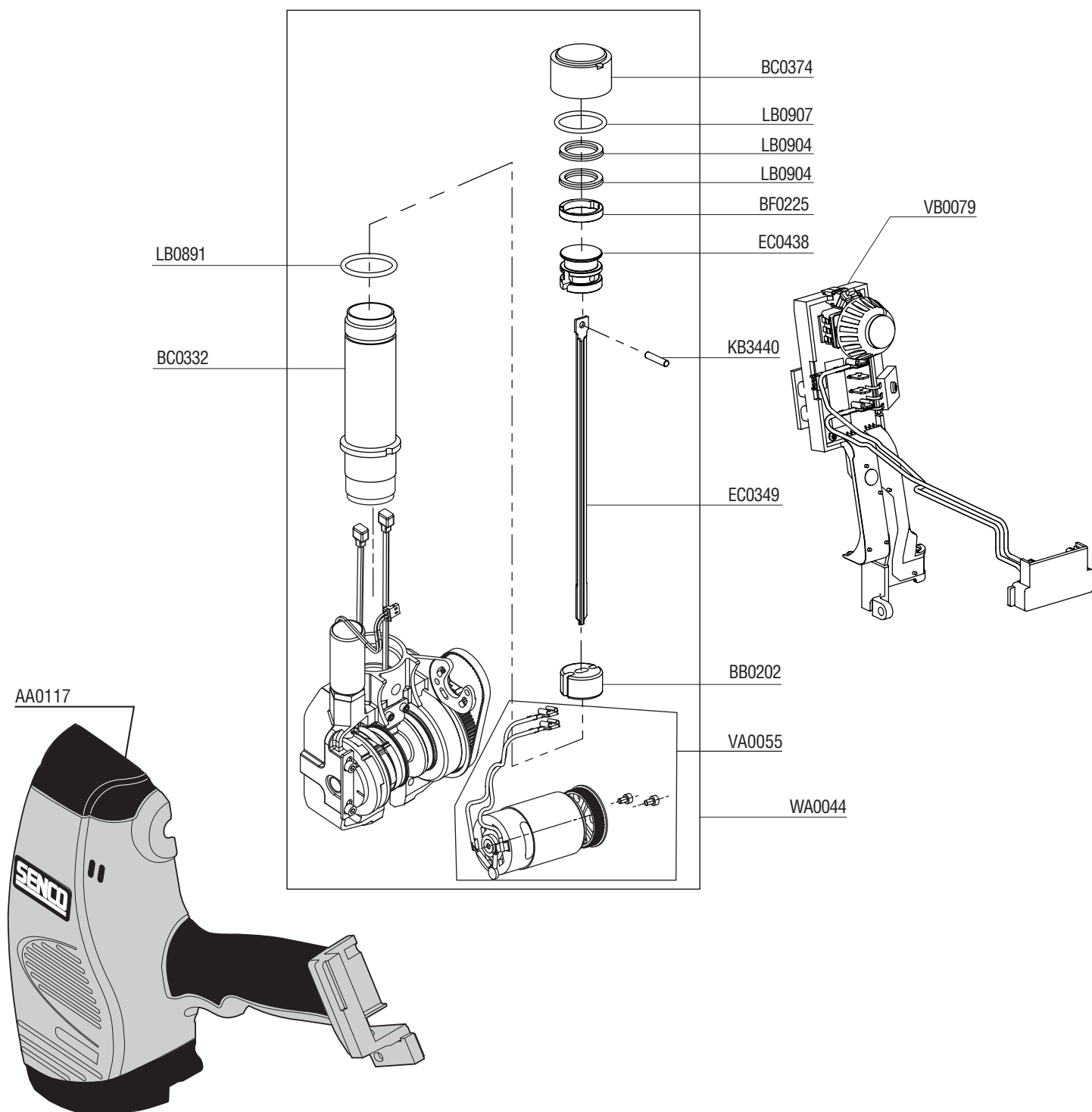
SENCO PRODUCTS, INC.
8485 Broadwell Rd.
Cincinnati, Ohio 45244
www.senco.com

Questions? Comments? call SENCO's toll-free Action-line:
1-800-543-4596 (North & South America only)
or e-mail: toolprof@senco.com

Cordless Finish 41

SENCO[®]

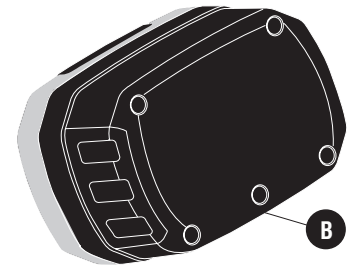
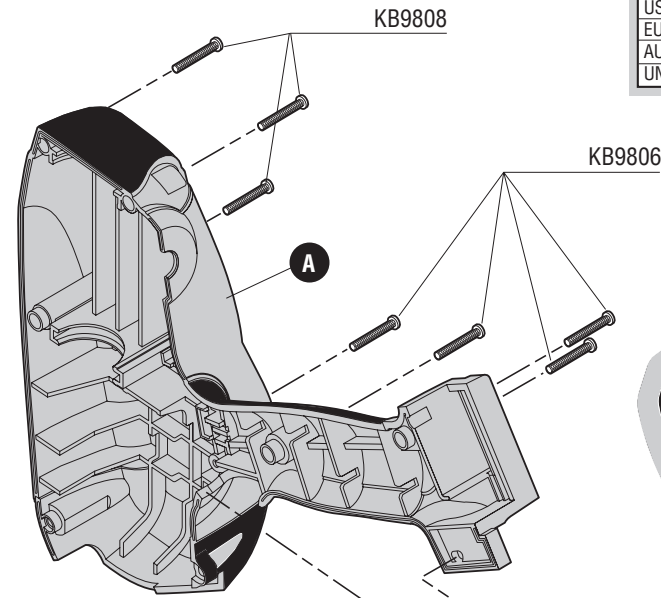
| | Model |
|----------------|---------|
| US/ S.AMERICA | 980002N |
| EURO | 982002N |
| AUSTRALIA | 983002N |
| UNITED KINGDOM | 987002N |



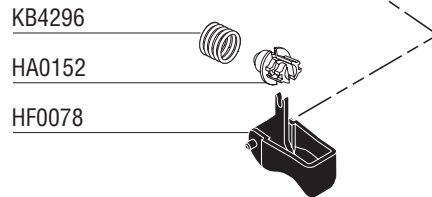
Cordless Finish 41

SENCO®

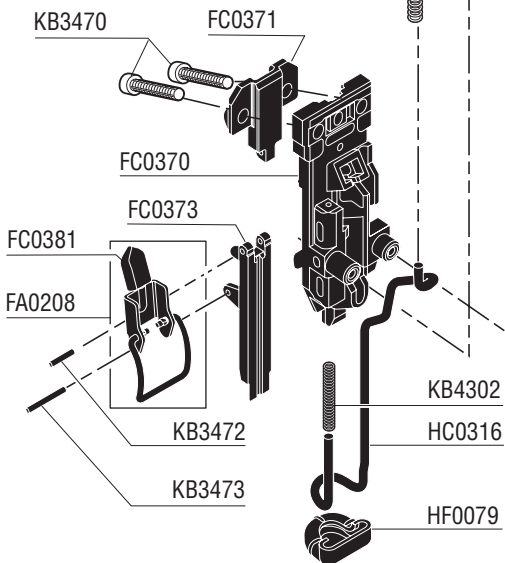
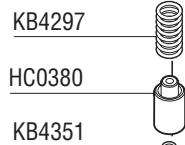
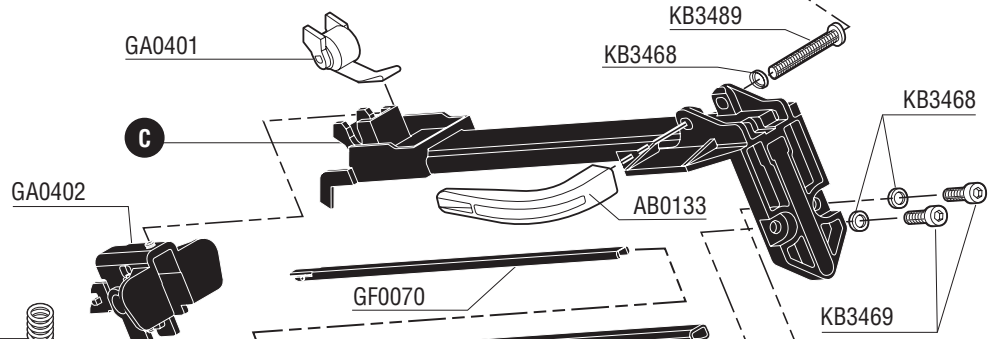
| Body Half | A |
|----------------|--------|
| US/ S.AMERICA | AA0116 |
| EURO | AA0122 |
| AUSTRALIA | AA0122 |
| UNITED KINGDOM | AA0122 |



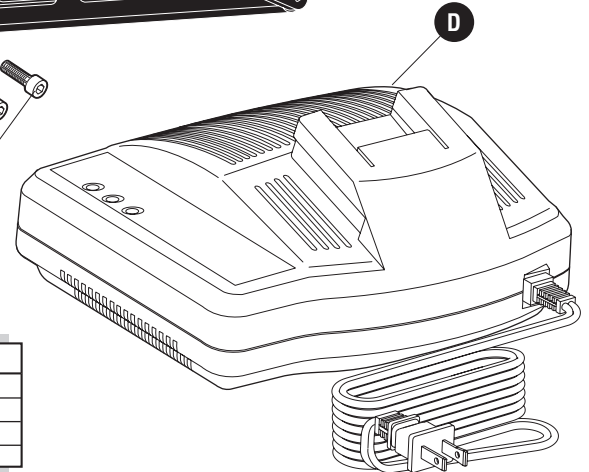
| Battery | B |
|----------------|--------|
| US/ S.AMERICA | VB0023 |
| EURO | VB0034 |
| AUSTRALIA | VB0034 |
| UNITED KINGDOM | VB0034 |



| Magazine | C |
|----------------|--------|
| US/ S.AMERICA | GB0471 |
| EURO | GB0479 |
| AUSTRALIA | GB0479 |
| UNITED KINGDOM | GB0479 |



| Charger | D |
|----------------|--------|
| US/ S.AMERICA | VB0002 |
| EURO | VB0026 |
| AUSTRALIA | VB0028 |
| UNITED KINGDOM | VB0029 |



Cordless Finish 41

REPLACEMENT PARTS LIST • LISTA DE PARTES DE REPUESTO • ERSATZTEILE-LISTE • LISTE DE PIÈCES DE RECHANGE

| PART NO. | DESCRIPTION | DESCRIPCIÓN | BESCHREIBUNG | DÉSIGNATION |
|----------|---------------------------------|--------------------|------------------------|---------------------|
| AA0116 | BODY, RIGHT HALF (US / S AMER.) | CARCASA | GEHÄUSE | CORPS |
| AA0117 | BODY, LEFT HALF | CARCASA | GEHÄUSE | CORPS |
| AA0122 | BODY, RIGHT HALF (EURO/AU/UK) | CARCASA | GEHÄUSE | CORPS |
| AB0133 | BELT HOOK | GANCHO DE CINTURÓN | GURTHAKEN | CROCHET DE CEINTURE |
| BB0202 | STOP | TOPE | PUFFER | ARRÊT |
| BC0332 | CYLINDER | CILINDRO | ZYLINDER | CYLINDRE |
| BC0374 | CAP | TAPA | KAPPE | BOUCHON |
| BF0225 | GUIDE RING | CASQUILLO | HÜLSE | DOUILLE |
| EC0349 | DRIVER | PERCUSOR | TREIBER | COUTEAU |
| EC0438 | PISTON | PISTON | KOLBEN | PISTON |
| FA0208 | LATCH | UÑETA | VERSCHLUSS | DOIGT DE RETENUE |
| FC0370 | BACKPLATE | PLACA | PLATTE | PLAQUE |
| FC0371 | PLATE, TOP FRONT | PLACA | PLATTE | PLAQUE |
| FC0373 | PLATE, BOTTOM FRONT | PLACA | PLATTE | PLAQUE |
| FC0381 | GRIP | AGARRADERO | GRIFF | GAINÉ EN CUIR |
| GA0401 | SPRING, FEEDER | RESORTE | FEDER | RESSORT |
| GA0402 | FEEDER SHOE | ALIMENTADOR | NAGELSCHIEBER | POUSSOIR |
| GB0471 | SHROUD, MAGAZINE (US/S AMER.) | CUBIERTA | BUCHSE | CACHE |
| GB0479 | SHROUD, MAGAZINE (EURO/AU/UK) | CUBIERTA | BUCHSE | CACHE |
| GB0564 | RAIL, LOWER | CARRIL | SCHIENE | RAIL |
| GC0720 | RAIL, UPPER | CARRIL | SCHIENE | RAIL |
| GF0070 | INSERT, UPPER RAIL | ACOPLAMIENTO | EINSATZ | INSERT |
| HA0152 | SLIDE, TRIGGER | PLACA | PLATTE | PLAQUE |
| HC0380 | SPACER | SEPARADOR | DISTANZSTÜCK | ENTRETOISE |
| HC0316 | SAFETY (YOKE) ELEMENT | ASAMBLE DE SEGURO | SICHERHEITSVORRICHTUNG | PALPEUR DE SÉCURITÉ |
| HF0078 | TRIGGER | GATILLO | AUSLÖSER | GÂCHETTE |
| HF0079 | NO-MAR PAD | AMORTIGUADOR | SCHUTZ | COUSSIN |
| KB3440 | PIN | PASADOR | STIFT | GOUPILLE |
| KB3468 | WASHER | ARANDELA | SCHEIBE | RONDELLE |
| KB3469 | SCREW | TORNILLO | SCHRAUBE | VIS |
| KB3470 | SCREW | TORNILLO | SCHRAUBE | VIS |
| KB3472 | PIN | PASADOR | STIFT | GOUPILLE |
| KB3473 | PIN | PASADOR | STIFT | GOUPILLE |
| KB3489 | SCREW | TORNILLO | SCHRAUBE | VIS |
| KB4296 | SPRING | RESORTE | FEDER | RESSORT |
| KB4297 | SPRING | RESORTE | FEDER | RESSORT |
| KB4302 | SPRING | RESORTE | FEDER | RESSORT |
| KB4351 | SPRING | RESORTE | FEDER | RESSORT |
| KB9806 | SCREW | TORNILLO | SCHRAUBE | VIS |
| KB9808 | SCREW | TORNILLO | SCHRAUBE | VIS |
| LB0891 | SEAL | SELLO | DICHTUNG | JOINT |
| LB0904 | SEAL | SELLO | DICHTUNG | JOINT |
| LB0907 | SEAL | SELLO | DICHTUNG | JOINT |
| VA0055 | MOTOR, DRIVE | MOTOR IMPULSOR | ANTRIEBSMOTOR | MOTEUR, ENTRA |
| VB0002 | CHARGER (US / S AMER.) | CARAGADOR | LADEGERÄT | CHARGEUR |
| VB0023 | BATTERY (US / S AMER.) | BATERIA | BATTERIE | BATTERIE |
| VB0026 | CHARGER (EURO) | CARAGADOR | LADEGERÄT | CHARGEUR |
| VB0028 | CHARGER (AUSTRALIA) | CARAGADOR | LADEGERÄT | CHARGEUR |
| VB0029 | CHARGER (U.K.) | CARAGADOR | LADEGERÄT | CHARGEUR |
| VB0034 | BATTERY (EURO/AU/UK) | BATERIA | BATTERIE | BATTERIE |
| VB0079 | PCB HOUSING | ALOJAMIENTO | GEHÄUSE | CORP |
| WA0044 | CHASSIS ASY | CHASIS | GEHÄUSE | CHÂSSIS |