

2nd PRINTING DEC 99

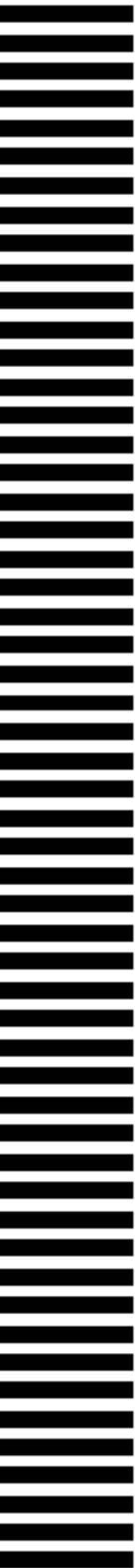
SEGA

**EMERGENCY CALL
AMBULANCE**

**KIT VERSION (ROM SET)
OWNER'S MANUAL**

SEGA ENTERPRISES, INC. USA

MANUAL NO. 999-0858



Warranty

Your new Sega Product is covered for a period of 90 days from the date of shipment. This certifies that the Printed Circuit Boards, Power Supplies and Monitor are to be free of defects in workmanship or materials under normal operating conditions. This also certifies that all Interactive Control Assemblies are to be free from defects in workmanship and materials under normal operating conditions. No other product in this machine is hereby covered.

Sellers sole liability in the event a warranted part described above fails shall be, at its option, to replace or repair the defective part during the warranty period. For Warranty claims, contact your Sega Distributor.

Should the Seller determine, by inspection that the product was caused by Accident, Misuse, Neglect, Alteration, Improper Repair, Installation or Testing, the warranty offered will be null and void.

Under no circumstances is the Seller responsible for any loss of profits, loss of use, or other damages.

This shall be the exclusive written Warranty of the original purchaser expressed in lieu of all other warranties expressed or implied. Under no circumstance shall it extend beyond the period of time listed above.



ROM CHANGE INSTRUCTIONS

SEGA Service Department
45133 Industrial Drive
Fremont, Ca. 94538

<http://www.seuservice.com>
Phone: 415.701.6580
Fax: 415.701.6594

MA_ADD

EMERGENCY CALL AMBULANCE



IMPORTANT!

Before starting work be sure to turn power off. Failure to observe this can cause electric shock and short circuit hazards. Use care so as not to damage wirings. Damaged wirings can cause electric shock or short circuit accidents. This work should be performed by the Locations Maintenance Man or Serviceman. Performing work by those who do not have technical expertise can cause electric shock accident, or damage to the Game Board

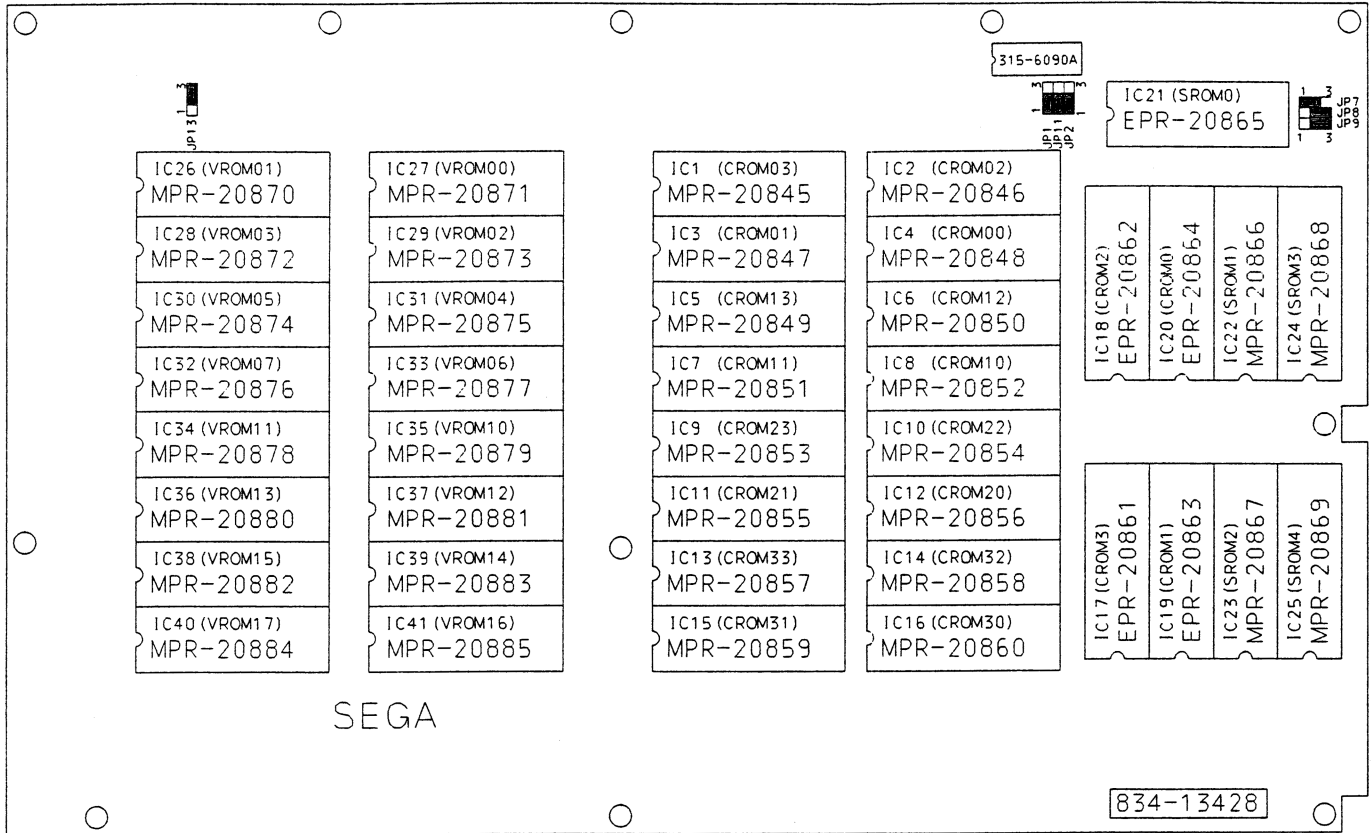
KIT INSTALLATION INSTRUCTIONS:

- 1.) Turn power off & Disconnect all plugs from the Game Board Cage.*
- 2.) Remove Cage and open Case Lid.*
- 3.) Remove (12) phillips screws and remove the PCB from Cage.*
- 4.) Remove (4) phillips screws and nuts that secure Security Board to CPU Board. Remove Security Board.*
- 5.) Install new Security Board and secure with the (4) philips screws previously removed; DO NOT OVER TIGHTEN!*
- 6.) Remove each of the (41) E-Proms and Mask Roms from the Rom Board. Be careful not to scratch the Board or break sockets.*
- 7.) Install new E-Proms and Mask Roms. Be careful not to damage IC by static electricity. Be careful not to bend pins while inserting E-Proms and Mask Roms.*
- 8.) Re-install Game Board into cage, then replace cage into cabinet. Reconnect all connectors.*
- 9.) Power On Game and test for proper operation. Set all game options.*

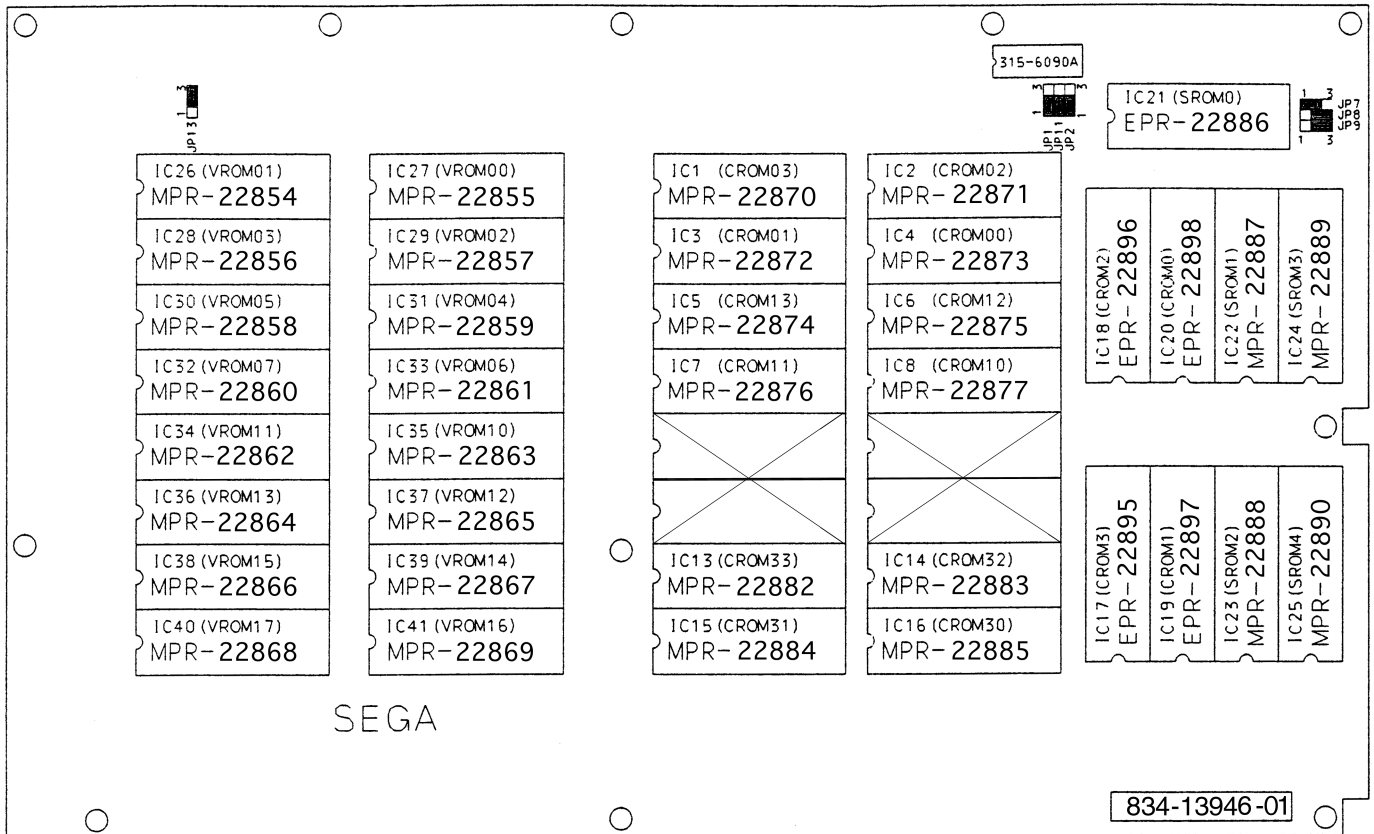
Please see diagrams on the following page for E-PROM and ROM layout.

If you have any questions please contact the SEGA Service Department at the numbers given above.

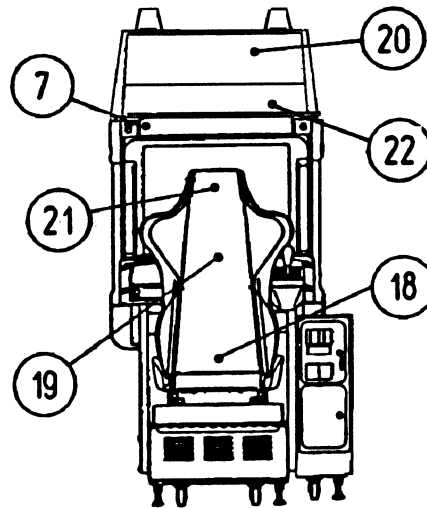
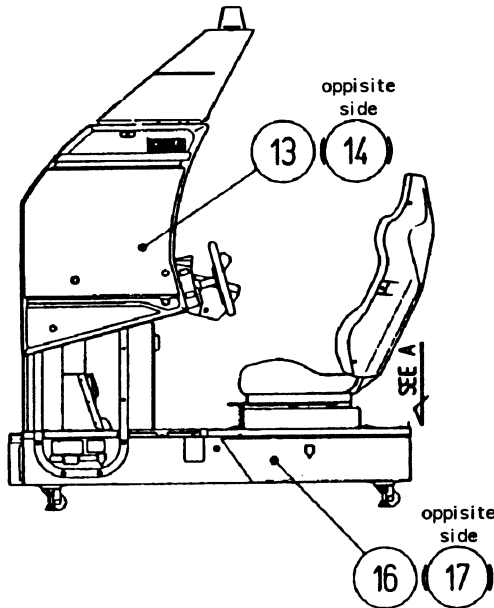
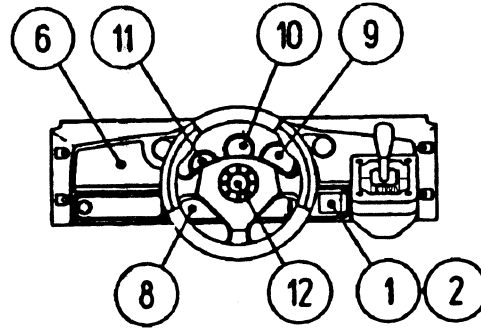
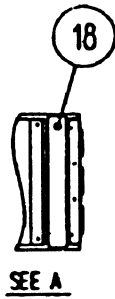
[CURRENT E-PROM AND MASK ROM LAYOUT] * Your game board may differ from the one pictured below



[NEW EMERGENCY CALL AMBULANCE E-PROM AND MASK ROM LAYOUT]



DESIGN RELATED PARTS



ITEM NO.	PART NO.	DESCRIPTION
* 1	DYN-0011	DENOMI PLATE W/O ORIGINAL
* 2	LOCAL PURCHASE	DENOMINATION SHEET 1 GAME
6	999-0842	STICKER SEAT ADJ. ECA
7	999-0841	STICKER SUB INSTR SH ECA
* 8	SPG-1201-E	METER PANEL
* 9	DYN-1214-C	DESIGN PL TACO MTR TWIN
* 10	DYN-1214-D	DESIGN PL OIL MTR TWIN
* 11	DYN-1214-E	DESIGN PL WATER MTR TWIN
* 12	SPG-2002	STEERING EMBLEM
13	999-0839	STICKER MONITOR COVER L ECA
14	999-0840	STICKER MONITOR COVER R ECA
16	999-0844	STICKER MAIN BASE L ECA
17	999-0843	STICKER MAIN BASE R ECA
18	999-0847	STICKER SEAT REAR LOWER ECA
19	999-0846	STICKER SEAT REAR ECA
20	999-0845	MARQUEE PLEX ECA
21	999-0837	STICKER SEAT UPPER ECA
22	999-0838	LOWER MARQUEE ECA

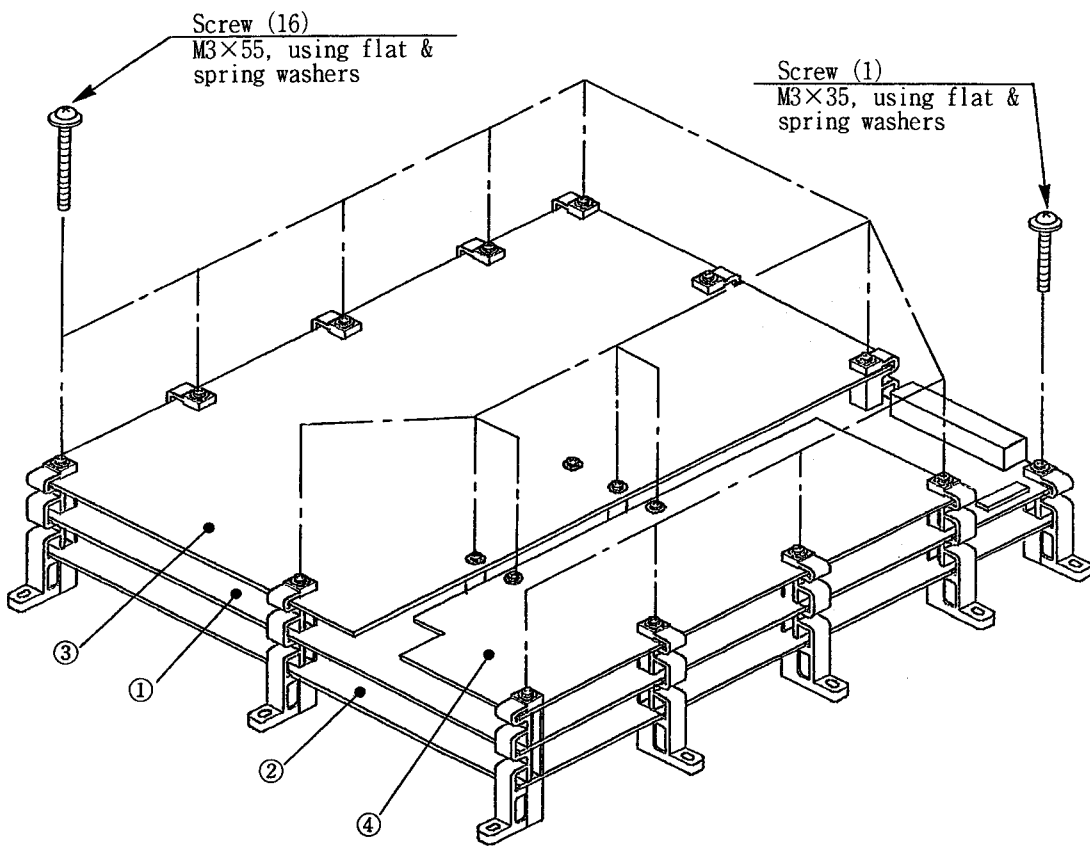
* Items that are marked with an asterisk are not provided with this kit, but may be purchased through your SEGA authorized parts dealer for your game.

COMPOSITION OF GAME BOARD (*game board not included*)



Ensure that the DIP SW setting is performed as designated as designated. Failure to observe thisw may cause functioning not suitable for tyhe operation, or mal-functioning.

ASSY CASE EMERGENCY CALL AMBULANCE (998-0341)



No.	PART No.	DESCRIPTION
①	837-12715-91	MODEL3 STEP2 CPU BOARD
②	837-12716-91	MODEL3 STEP2 VIDEO BOARD
	837-13368	MODEL3 STEP2.1 VIDEO BD
③	834-13946-01	ROM BD ECA
④	837-11861-91	MODEL3 COMM BD COM

VISIT OUR WEBSITE!

Netscape: SEU SERVICE HOMEPAGE

Go To: <http://www.seuservice.com/SEGASERVICE/mainpage.html> What's Related

SEGA SERVICE

[\[What's new\]](#) [\[Manuals\]](#) [\[Bulletins\]](#) [\[Part Numbers\]](#) [\[Game Monitors\]](#)
[\[Board Systems\]](#) [\[Mailing List\]](#) [\[SEGA Distributors\]](#) [\[Service Staff\]](#) [\[Darl's Office\]](#) [\[Samples\]](#)



WHAT'S NEW
MANUALS
BULLETINS
PART NUMBERS
GAME MONITORS
BOARD SYSTEMS
MAILING LIST
SEGA DISTRIBUTORS
SERVICE STAFF
DARL'S OFFICE
HOME

[\[Y2K COMPLIANCE\]](#)

Sega Enterprises Inc.,USA
Service Department
Phone (650)-632-7580
Fax (650)-632-7594

Best Viewed with 

Coin-Op Links:
[Star Tech Journal](#)
[Amusement Industry Mega Site](#)

*If you have any questions about this Home Page please
E-Mail to:*
darl.davidson@seu.sega.com
OR
han.rockhill@seu.sega.com

A total of **13910** people have accessed this page.

THIS WEB SITE POWERED BY
  



SEGA ENTERPRISES, INC. (USA)

45133 Industrial Drive
Fremont, CA 94538
(415) 701-6580 phone
(415) 701-6594 fax