

Operator's Manual



BROADCAST SPREADER

Model No. 486.24321

DO NOT RETURN TO STORE
For Missing Parts or Assembly
Questions Call 1-866-576-8388



CAUTION:

Before using this product, read this manual and follow all Safety Rules and Operating Instructions.

- Safety
- Assembly
- Operation
- Maintenance
- Parts

Sears, Roebuck and Co., Hoffman Estates, IL 60179 U.S.A.
www.sears.com/craftsman

TABLE OF CONTENTS

SAFETY RULES..... 2	MAINTENANCE 9
WARRANTY 2	SERVICE AND ADJUSTMENTS..... 9
FULL SIZE HARDWARE CHART 3	REPAIR PARTS ILLUSTRATION..... 10
CARTON CONTENTS..... 4	REPAIR PARTS LIST..... 11
ASSEMBLY..... 4	PARTS ORDERING/SERVICE BACK PAGE
OPERATION..... 8	

SAFETY RULES

Any power equipment can cause injury if operated improperly or if the user does not understand how to operate the equipment. Exercise caution at all times when using power equipment

- Read the towing vehicle owners manual and towing vehicle safety rules. Know how to operate your tractor before using the broadcast spreader attachment.
- Read the chemical label instructions and cautions for handling and applying the chemicals purchased for spreading.
- Wear eye and hand protection when handling and when applying lawn or garden chemicals.
- Never operate tractor and spreader attachment without wearing substantial footwear, and do not allow anyone to ride or sit on spreader attachment frame.
- Never allow children to operate the tractor or spreader attachment, and do not allow adults to operate without proper instructions.
- Always begin with the transmission in first (low) gear and with the engine at low speed, and gradually increase speed as conditions permit. Maximum towing speed - 6 M.P.H.
- When towing broadcast spreader do not drive too close to a creek or ditch and be alert for holes and other hazards which could cause you to loose control of the broadcast spreader and tractor.
- Before operating vehicle on any grade (hill) refer to the safety rules in the vehicle owner's manual concerning safe operation on slopes. Stay off steep slopes!
- Follow maintenance and lubrication instructions as outlined in this manual.

WARRANTY

CRAFTSMAN FULL WARRANTY

When operated and maintained according to all supplied instructions, if this Craftsman product fails due to a defect in material or workmanship within one year from the date of purchase, return it to any Sears store or other Craftsman outlet in the United States for free replacement.

This warranty applies for only 90 days from the date of purchase if this product is ever used for commercial or rental purposes.

This warranty does not include items considered to expendable parts that can wear out from normal use within the warranty period.

This warranty gives you specific legal rights, and you may also have other rights which vary from state to state.

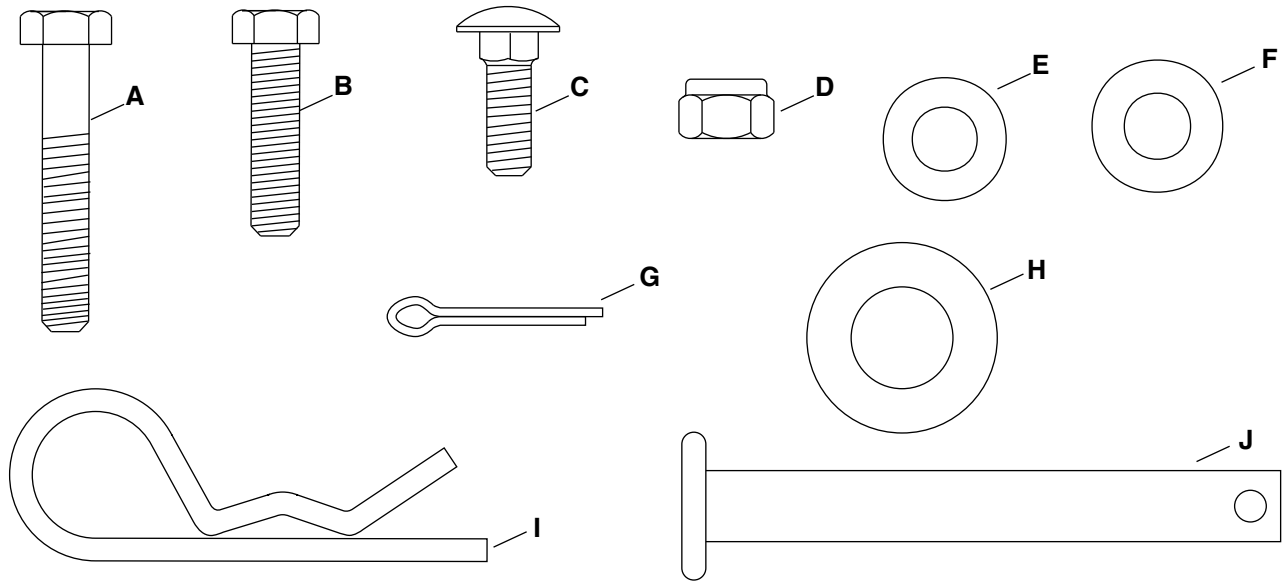
Sears, Roebuck and Co., Hoffman Estates, IL 60179

DO NOT RETURN TO STORE for Missing Parts or Assembly Questions
Call 1-866-576-8388 Attachment Hotline

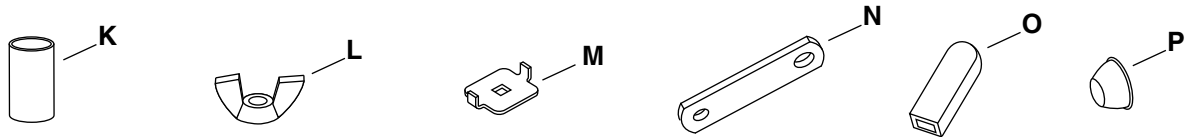
<p>The model number and serial numbers will be found on a decal attached to the Broadcast Spreader.</p> <p>You should record both the serial number and the date of purchase and keep in a safe place for future reference.</p>	<table style="width: 100%; border-collapse: collapse;"> <tr> <td style="width: 60%;">MODEL NUMBER:</td> <td style="width: 40%;">486.24321</td> </tr> <tr> <td>SERIAL NUMBER:</td> <td>_____</td> </tr> <tr> <td>DATE OF PURCHASE:</td> <td>_____</td> </tr> </table>	MODEL NUMBER:	486.24321	SERIAL NUMBER:	_____	DATE OF PURCHASE:	_____
MODEL NUMBER:	486.24321						
SERIAL NUMBER:	_____						
DATE OF PURCHASE:	_____						

FULL SIZE HARDWARE CHART

SHOWN FULL SIZE



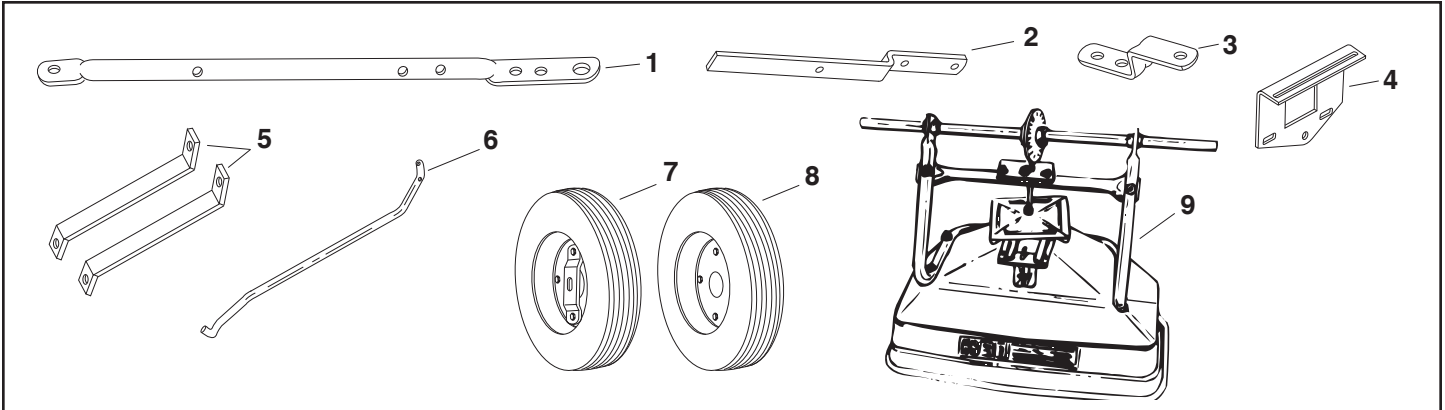
NOT SHOWN FULL SIZE



REF	PART NO.	QTY	DESCRIPTION	REF	PART NO.	QTY	DESCRIPTION
A	43648	5	Hex Bolt, 1/4-20 x 1-1/2" Lg.	I	43343	1	Hair Cotter Pin
B	43661	4	Hex Bolt, 1/4-20 x 1" Lg. *	J	47623	1	Hitch Pin
C	44950	1	Carriage Bolt, 1/4-20 x 3/4" Lg.	K	46501	2	Spacer
D	47189	9	Nylock Nut, 1/4-20	L	47141	1	Nylon Wing Nut
E	1543-69	4	Washer, Nylon	M	24858	1	Adjustable Stop
F	R19111116	8	Washer, 5/16"	N	24857	1	Flow Control Link
G	44101	1	Cotter Pin 3/32" x 3/4"	O	43848	1	Grip
H	R19171616	3	Flat Washer 1/2"	P	44663	2	Hub Cap

CARTON CONTENTS

- | | | | |
|----|-------------------------------------|----|---------------------------|
| 1. | Hitch Tube (#44586) | 6. | Flow Control Rod (#44469) |
| 2. | Flow Control Arm (#24859) | 7. | Drive Wheel (#48865) |
| 3. | Hitch Bracket (#23687) | 8. | Wheel (#46503) |
| 4. | Flow Control Mount Bracket (#24855) | 9. | Hopper Assembly |
| 5. | Braces (2) (#23525) | | |



ASSEMBLY

TOOLS REQUIRED FOR ASSEMBLY

- (1) Pliers
- (2) 7/16" Open or Box End Wrenches
- (2) 1/2" Open or Box End Wrenches
- (1) Small Hammer

STEP 1: (SEE FIGURE 1)

- Turn the spreader upside down so that it rests on the hopper.

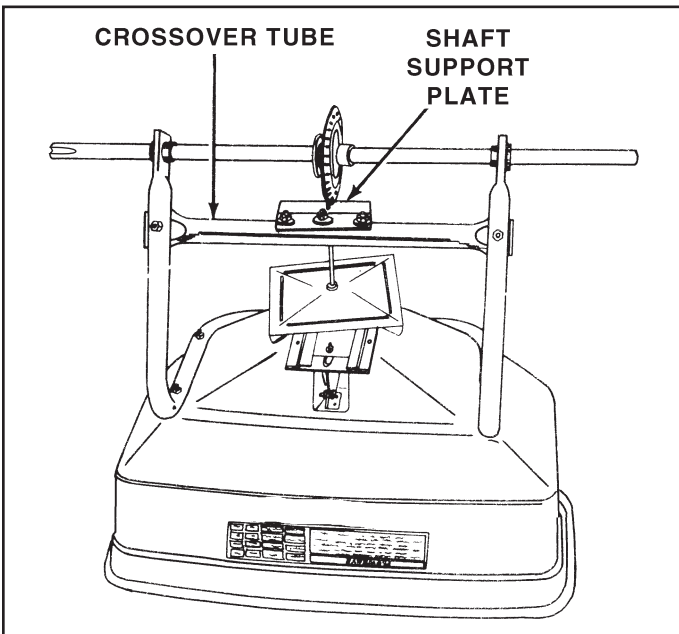


FIGURE 1

STEP 2: (SEE FIGURE 2)

- Remove lock nut from the middle bolt in the crossover tube and shaft support plate. Leave the bolt in place.
- Assemble the short end of the hitch tube onto the middle bolt and secure it with the same lock nut you removed. **Do not tighten at this time.**
- Assemble two hitch braces to inside of hopper frame, one on each side, using two 1/4" x 1-1/2" hex bolts and two 1/4" nylock nuts. **Do not tighten at this time.**
- Assemble the two hitch braces to the hitch tube using a 1/4" x 1-1/2" hex bolt and a 1/4" nylock nut. **Do not tighten at this time.**

IMPORTANT: The hitch tube must attach to the side of the crossover tube opposite the shaft support plate.

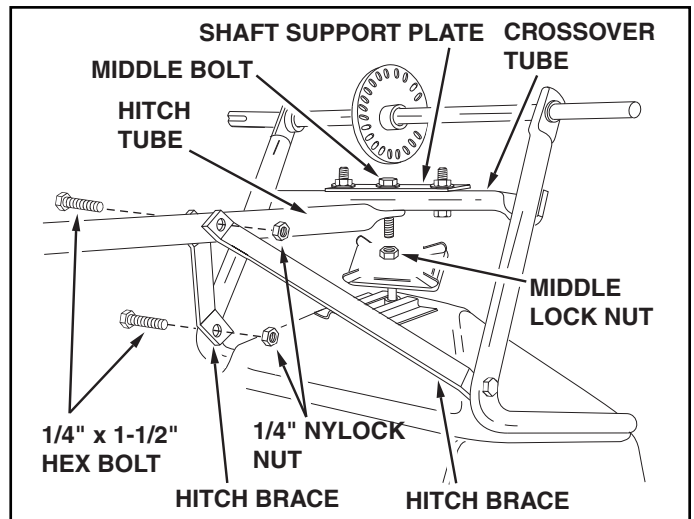


FIGURE 2

STEP 3: (SEE FIGURE 3)

- Tighten all hex nuts and bolts, following the same sequence as assembled in steps 4, 5 and 6. **Do not collapse tube when tightening.**
- Assemble a spacer and then a 1/2" flat washer onto each end of the axle.

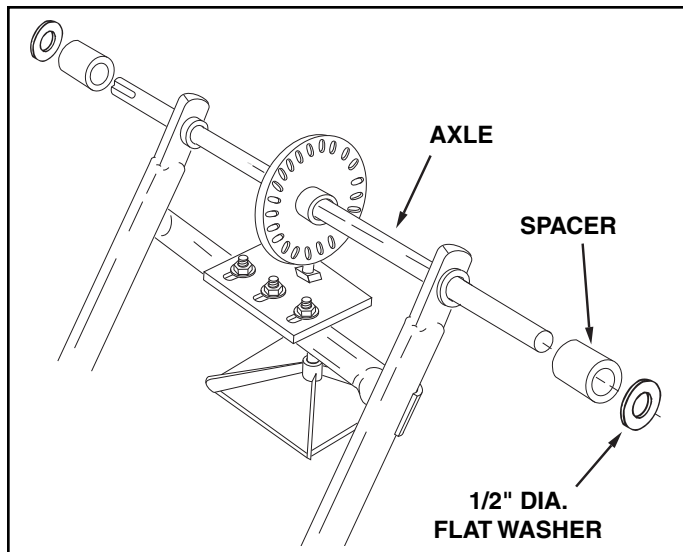


FIGURE 3

STEP 5: (SEE FIGURE 5)

- Place the drive wheel onto the end of the axle that has an indent. The long end of the hub goes to the inside.
- Place a hub cap onto the end of the axle. Using a small hammer, lightly tap the hub cap until it is snug against the wheel.

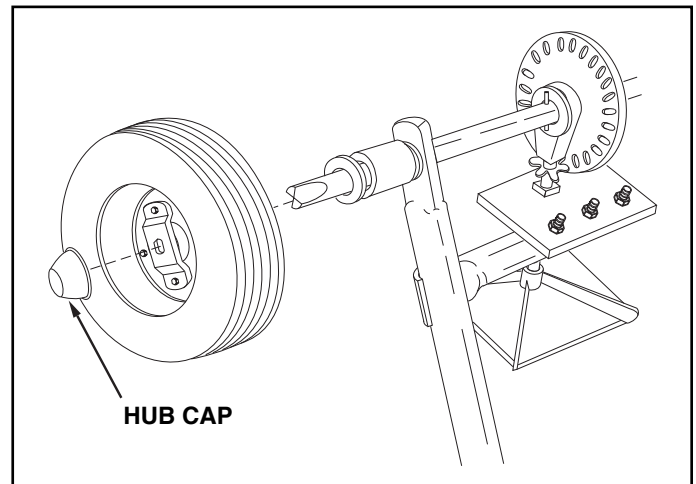


FIGURE 5

STEP 4: (SEE FIGURE 4)

- Place the wheel (long end of hub first) onto the end of the axle that has no indents.
- 10. Place a 1/2" flat washer onto the axle and then lightly tap a hub cap onto the axle until it is snug against the washer and wheel hub.

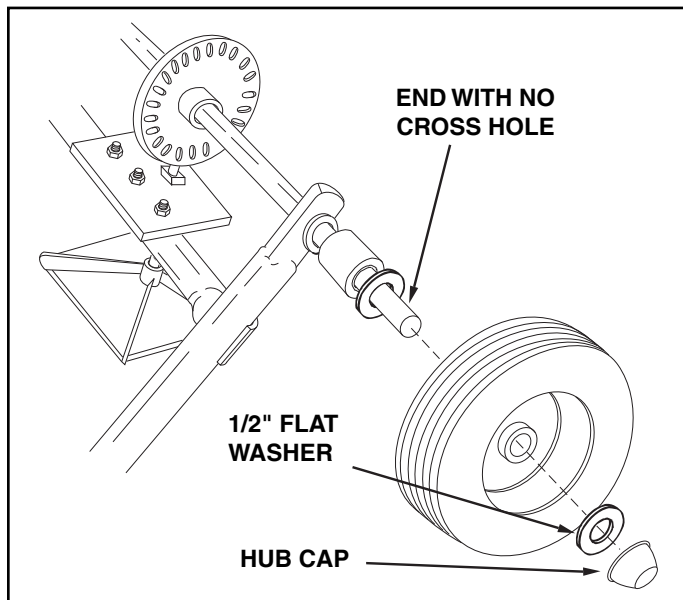


FIGURE 4

STEP 6: (SEE FIGURE 6)

- In order to assemble the hitch bracket to the hitch tube, turn the spreader upright on its wheels. Assemble the bracket to the top of the hitch using two 1/4" x 1" hex bolts and 1/4" nylock nuts.

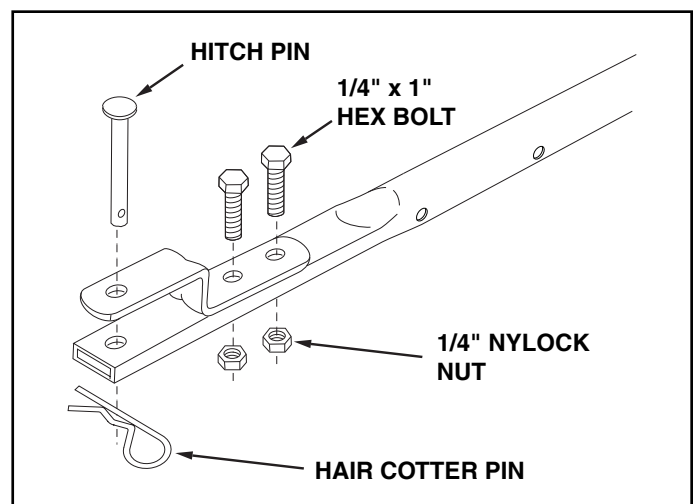


FIGURE 6

STEP 7: (SEE FIGURE 7)

- Assemble the flow control link (end with small hole) to the flow control arm using a 1/4" x 1" hex bolt, a nylon washer and a 1/4" nylock nut. **Tighten carefully.** The flow control link should not be loose but should pivot with no more than slight resistance.

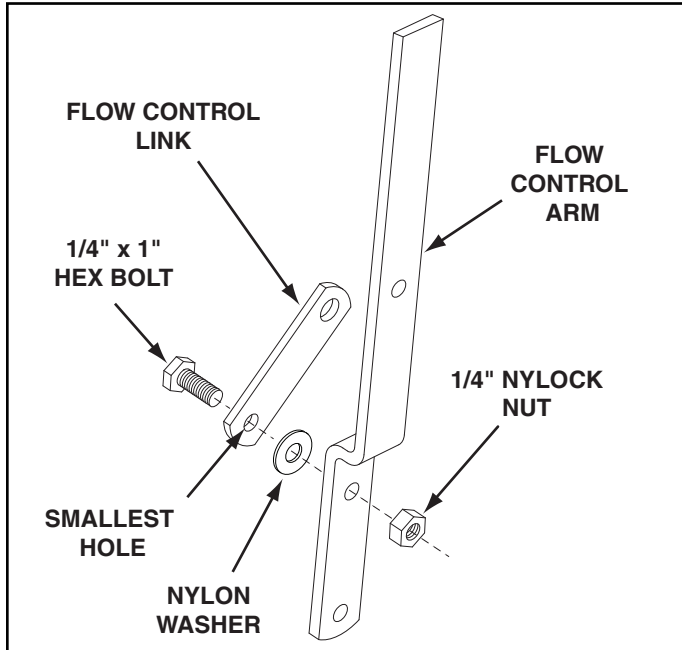


FIGURE 7

STEP 8: (SEE FIGURE 8)

- Assemble the flow control arm to the flow control mounting bracket using a 1/4" x 1" hex bolt, two nylon washers and a 1/4" nylock nut. **Tighten carefully.** The flow control arm should be snug, but should pivot with no more than a slight resistance.
- Assemble the vinyl grip.

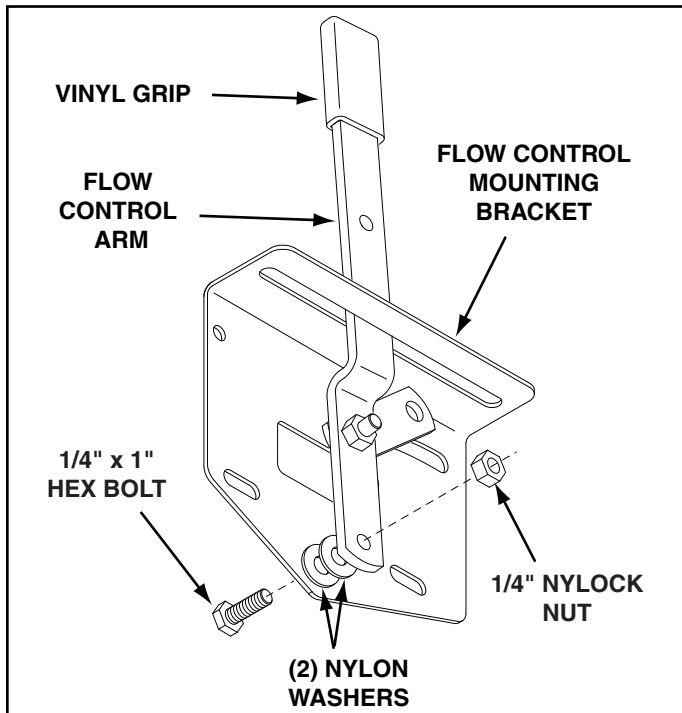


FIGURE 8

STEP 9: (SEE FIGURE 9)

- Place a 5/16" flat washer onto the end of the flow control rod. Insert the end of the rod through the slot in the flow control mounting bracket and through the hole in the flow control link. Secure with a 3/32" x 3/4" cotter pin.

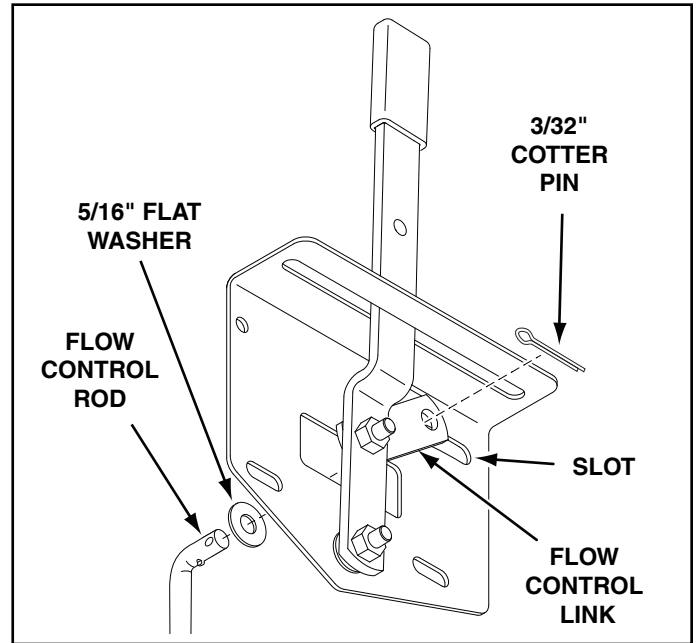


FIGURE 9

STEP 10: (SEE FIGURE 10)

- Hook free end of flow control rod through hole in slide gate bracket located near the bottom of the hopper.

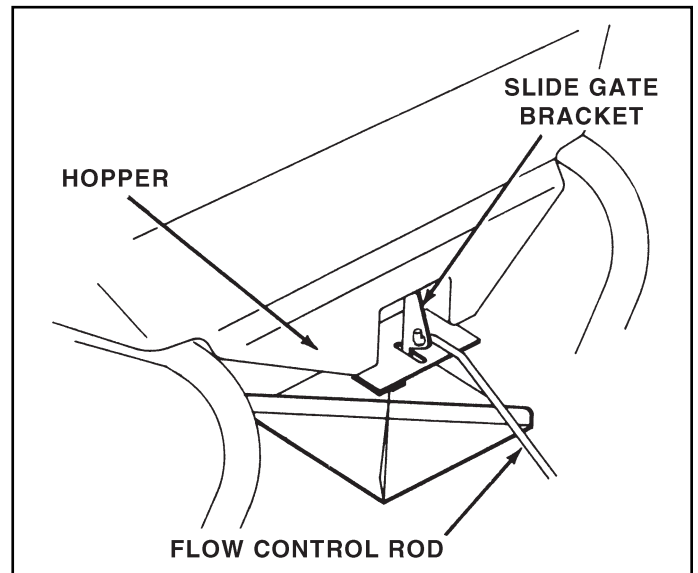


FIGURE 10

STEP 11: (SEE FIGURE 11)

- Assemble the flow control mounting bracket to the hitch tube using two 1/4" x 1-1/2" hex bolts, four 5/16" flat washers and two 1/4" nylock nuts. **Do not tighten at this time.**

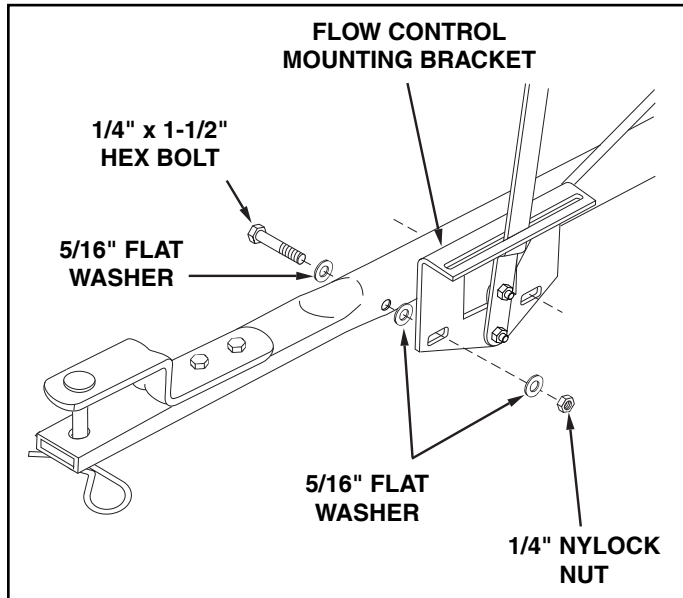


FIGURE 11

STEP 12: (SEE FIGURE 12)

- Place the adjustable stop into the "ON" end of the slot in the top of the flow control mounting bracket. Secure with the 1/4" x 3/4" carriage bolt, a nylon washer, a 5/16" flat washer and the nylon wing nut.

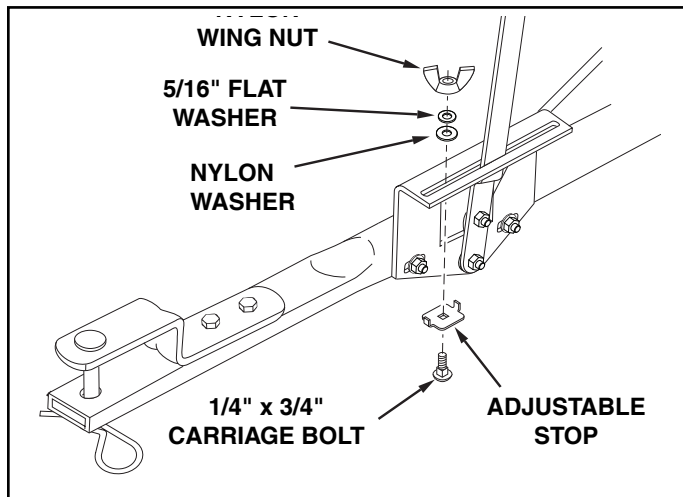


FIGURE 12

STEP 13: (SEE FIGURE 13)

- Position the flow control mounting bracket.
- Push on flow control arm until it locks in "OFF" position.
- Slide flow control mounting bracket along tube until closure plate in bottom of hopper just closes.
- Snug the 1/4" lock nuts just enough to hold flow control mounting bracket in place.
- Set adjustable stop at "5". Pull flow control arm against stop. Verify that closure plate has opened about half way.
- If closure plate does not open half way, it may be closed too far at "OFF". Adjust position of flow control mounting bracket until closure plate will open about half way at "5" and still close when arm is locked in "OFF". **Tighten 1/4" lock nuts.**

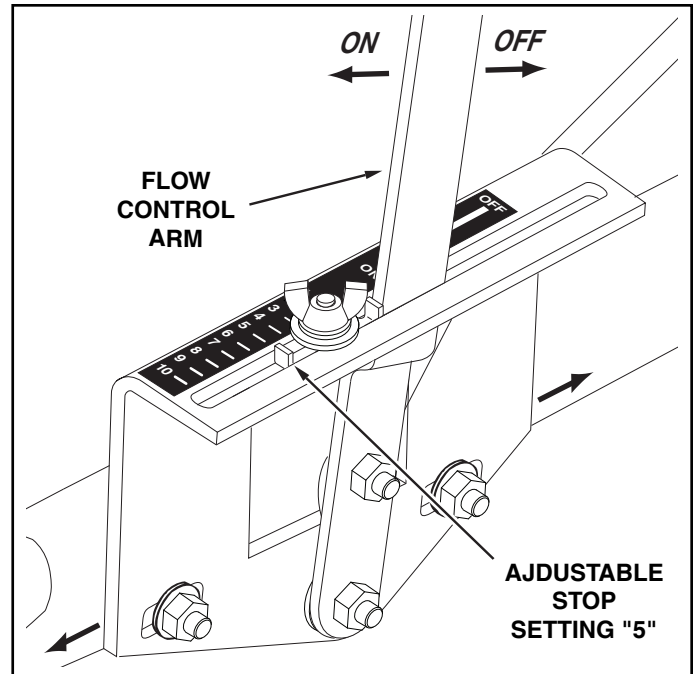


FIGURE 13

- Before operating the spreader, pre-lubricate per the lubrication instructions in the owner's manual.

OPERATION

HOW TO USE YOUR SPREADER

SETTING THE FLOW CONTROL

(Refer to figure 13 on page 7.)

- Loosen the nylon wing nut, set the adjustable stop to the desired flow rate setting and retighten the wing nut. The higher the setting number, the wider the opening in the bottom of the hopper.
- Refer to the application chart on page 8 and to the instructions on the fertilizer bag to select the proper flow rate setting.
- Pull the flow control arm against the adjustable stop for the on position and toward the hopper for the off position.

USING YOUR SPREADER

We do not recommend the use of any powdered lawn chemicals, due to difficulty in obtaining a satisfactory or consistent broadcast pattern.

- Determine approximate square footage of area to be covered and estimate amount of material required.
- Before filling the hopper make sure the flow control arm is in the off position and the closure plate is shut.
- Break up any lumpy fertilizer as you fill the hopper.
- Set the adjustable stop with the flow control arm still in the off position. Refer to the application chart on this page and to the instructions on the fertilizer bag to select the proper flow rate setting.
- The application chart is calculated for light to heavy application at a walking speed of 3 mph, or 100 ft. in 23 seconds. A variation in speed will require an adjustment of the flow rate to maintain the same coverage. The faster you walk, the wider the broadcast width.
- Always start the spreader in motion before opening the closure plate.
- Always shut the closure plate before turning or stopping the spreader.
- If fertilizer is accidentally deposited too heavily in a small area, soak the area thoroughly with a garden hose or sprinkler to prevent burning of the lawn.
- To insure uniform coverage, make each pass so that the broadcast pattern slightly overlaps the pattern from the previous pass as shown in figure 14. The approximate broadcast widths for different materials are shown in the application chart on this page.
- When broadcasting weed control fertilizers, make sure the broadcast pattern does not hit evergreen trees, flowers or shrubs.
- Heavy moisture conditions may require a cover over the hopper to keep contents dry. The vinyl hopper cover acts as a wind and moisture shield, but should not be used as a rain cover.

APPLICATION DIAGRAM

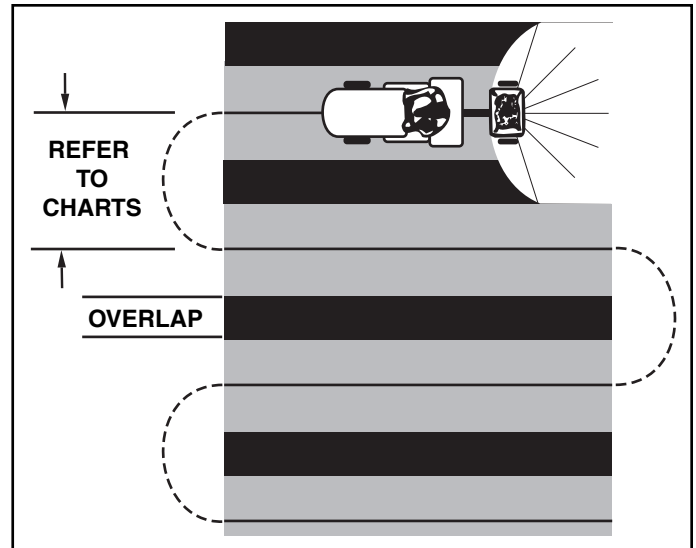


FIGURE 14

IMPORTANT: Application rates shown in the chart are affected by humidity and by the moisture content of the material (granular and pellet). Some minor setting adjustments may be necessary to compensate for this condition.

APPLICATION CHART		
TYPE MATERIAL	FLOW SETTING	SPREAD WIDTH
FERTILIZER		
Powder	3 - 5	3' - 4'
Granular	3 - 5	8' - 10'
Pelleted	3 - 5	10' - 12'
Organic	6 - 8	6' - 8'
GRASS SEED		
Fine	3 - 4	6' - 7'
Coarse	4 - 5	8' - 9'
ICE MELTER	6 - 8	10' - 12'

OPERATING SPEED - 3 MPH. (100 ft. in 23 seconds)

MAINTENANCE

CHECK FOR LOOSE FASTENERS

- Before each use make a thorough visual check of the spreader for any bolts and nuts which may have loosened. Retighten any loose bolts and nuts.

CHECK FOR WORN OR DAMAGED PARTS

- Check for worn or damaged parts before each use. Repair or replace parts if necessary.

CHECK TIRE INFLATION

- Check if tires are adequately inflated before each use. Do not inflate tires beyond maximum recommended pressure.



CAUTION: DO NOT inflate tires beyond the maximum recommended pressure printed on side of tire.

CLEANING

- Rinse inside of hopper and exterior of spreader and dry off before storing.

LUBRICATE (See figure 15)

- Lightly apply automotive grease as needed to the sprocket and gear.
- Oil nylon bushings on vertical sprocket shaft and on axle at least once a year, or more often as needed.
- Oil right hand (idler) wheel bearing at least once a year or more often as needed.

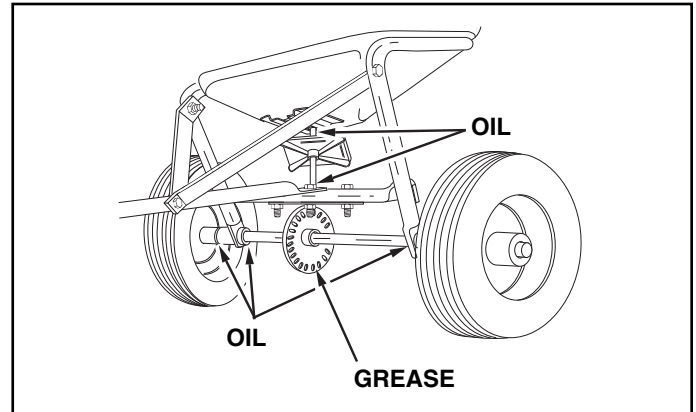


FIGURE 15

SERVICE AND ADJUSTMENTS

REPLACING SLOTTED GEAR

- If the axle, slotted gear and sprocket assembly is disassembled, mark down the positions of the parts as they are removed. The drive wheel and sprocket positions in relation to the slotted gear determine which direction the spreader plate will spin. Be sure to reassemble them in their original positions. (Refer to figure 3 on page 4.) Use shim washers (Ref. no. 21 on pages 10 and 11) as needed for minimum backlash. Add grease to gear and sprocket.

LOCKED UP SPREADER

- Turn spreader over so that wheels are off the ground.
- Loosen all three nuts on the shaft support plate just enough so that the bolts can be turned easily with a wrench but cannot be turned by hand.
- Spin the drive wheel and note how freely it spins and how much noise the slotted gear makes.
- To free up the wheel and gear, tap gently on the front or rear edge of the shaft support plate to move it slightly forward or backward. You can also tap at the corners of the plate to angle it slightly.
- Spin the drive wheel after each adjustment to see if it spins more freely and if the gear noise is reduced.

- Continue making slight adjustments until you find the position where the drive wheel spins most freely and the gear makes the least noise.
- Secure the shaft support plate in this position by retightening all three nuts that you loosened.

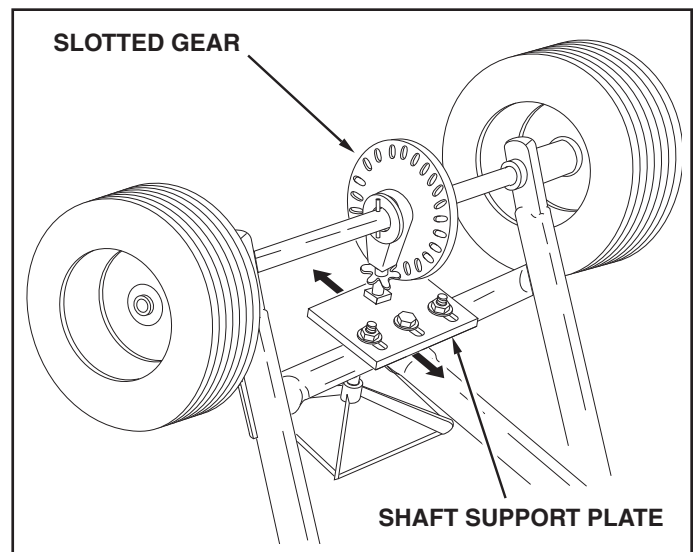
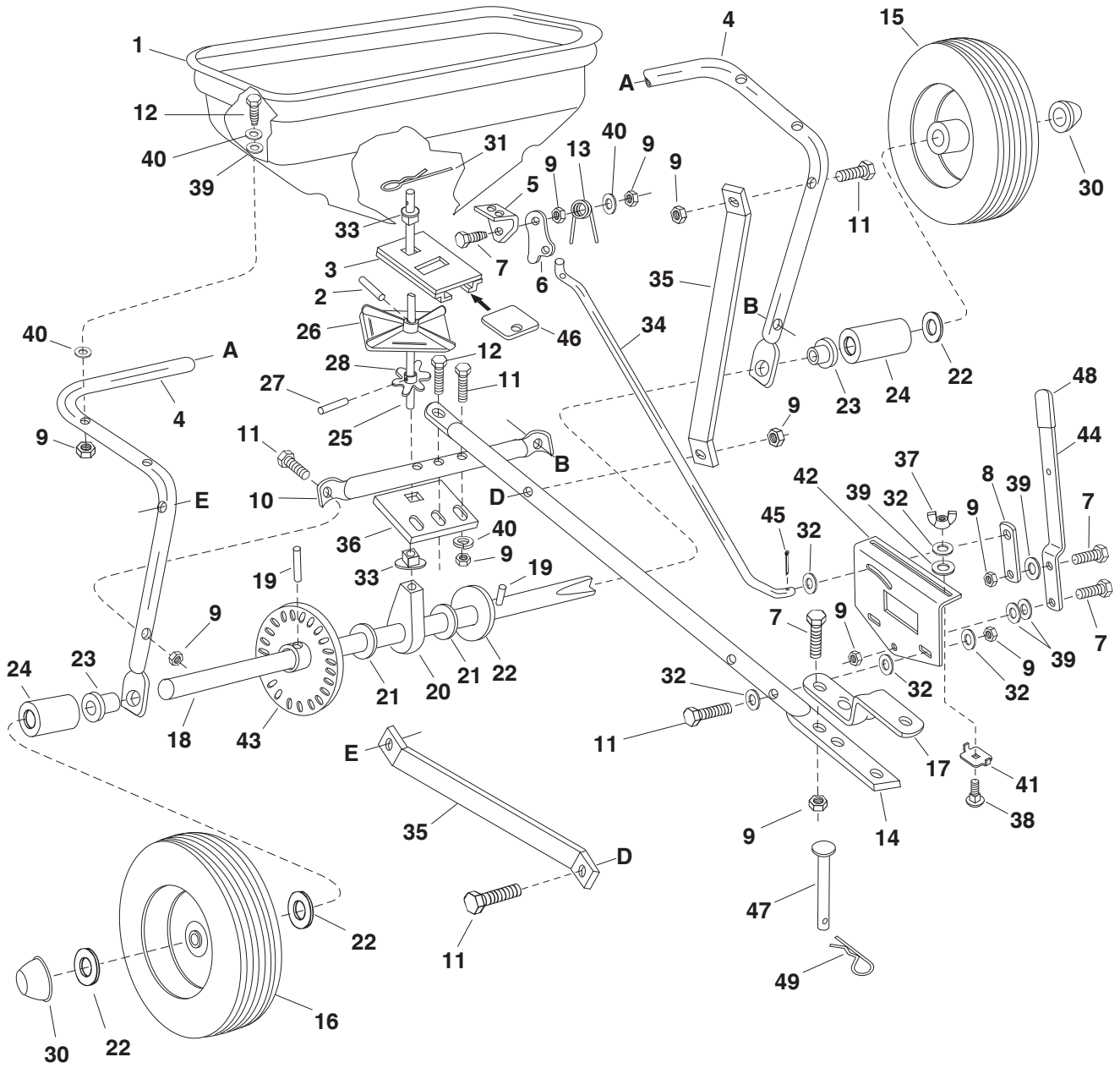


FIGURE 16

REPAIR PARTS ILLUSTRATION

BROADCAST SPREADER MODEL 486.24321



REPAIR PARTS LIST

BROADCAST SPREADER MODEL 486.24321

REF	PART NO.	QTY	DESCRIPTION	REF	PART NO.	QTY	DESCRIPTION
1	44624	1	Hopper	26	04367	1	Spreader Plate
2	46055	1	Pin, Spring 1/8" Dia. x 1" Lg.	27	43850	1	Pin, Spring 1/8" Dia. x 5/8" Lg.
3	62482	1	Ass'y, Guide Closure	28	44468	1	Sprocket, 6 Tooth
4	40469	1	Tube, Frame	29	C-9M5732	2	Pop Rivet (not shown)
5	23753	1	Slide Gate Angle Bracket	30	44663	2	Hub Cap
6	23758	1	Slide Gate Bracket	31	48934	1	Hairpin Agitator
7	43661	5	Bolt, Hex 1/4-20 x 1" Lg. *	32	R19111116	8	Washer, 5/16 SAE
8	24857	1	Flow Control Link	33	44285	2	Bushing, Delrin
9	47189	22	Nylock Nut, 1/4-20	34	44469	1	Rod, Flow Control
10	44591	1	Tube, Crossover	35	23525	2	Brace, Hitch
11	43648	9	Bolt, Hex 1/4-20 x 1-1/2" Lg.	36	23780	1	Support, Shaft
12	1509-69	7	Bolt, Hex 1/4-20 x 1-3/4"	37	47141	1	Nylon Wing Nut, 1/4-20 Thd.
13	44566	1	Spring, Torsion	38	44950	1	Bolt, Carriage 1/4-20 x 3/4" Lg.
14	44586	1	Tube, Hitch	39	1543-69	10	Washer, Nylon
15	48865	1	Drive Wheel	40	43088	16	Washer, Flat 1/4" Std.
16	46503	1	Wheel	41	24858	1	Adjustable Stop
17	23687	1	Bracket, Hitch	42	24855	1	Bracket, Flow Control Mount
18	23781	1	Shaft, Axle	43	46885	1	Gear, Plastic
19	44665	2	Pin, Spring 5/32" Dia. x 1-1/4" Lg.	44	24859	1	Flow Control Arm
20	44672	1	Bushing, Axle Shaft	45	44101	1	Cotter Pin 3/32" x 3/4" Lg.*
21	44137	6	Washer, Shim 1/2"	46	23533	1	Plate, Closure
22	R19171616	4	Washer, Flat 1/2"	47	47623	1	Hitch Pin
23	47963	2	Bearing, Flange	48	43848	1	Grip, Flow Control Arm
24	46501	2	Tube, Spacer	49	43343	1	Hair Cotter Pin, #4 1/8"
25	25305	1	Shaft, Sprocket		42096	1	Owner's Manual

Get it fixed, at your home or ours!

Your Home

For expert troubleshooting and home solutions advice:

manage my home

www.managemyhome.com

For repair – **in your home** – of **all** major brand appliances, lawn and garden equipment, or heating and cooling systems, **no matter who made it, no matter who sold it!**

For the replacement parts, accessories and owner's manuals that you need to do-it-yourself.

For Sears professional installation of home appliances and items like garage door openers and water heaters.

1-800-4-MY-HOME[®] (1-800-469-4663)

Call anytime, day or night (U.S.A. and Canada)

www.sears.com www.sears.ca

Our Home

For repair of carry-in items like vacuums, lawn equipment, and electronics, call anytime for the location of your nearest

Sears Parts & Repair Service Center

1-800-488-1222 (U.S.A.)

www.sears.com

1-800-469-4663 (Canada)

www.sears.ca

To purchase a protection agreement on a product serviced by Sears:

1-800-827-6655 (U.S.A.)

1-800-361-6665 (Canada)

Para pedir servicio de reparación a domicilio, y para ordenar piezas:

1-888-SU-HOGAR[®]

(1-888-784-6427)

Au Canada pour service en français:

1-800-LE-FOYER^{MC}

(1-800-533-6937)

www.sears.ca

Sears

© Registered Trademark / TM Trademark / SM Service Mark of Sears Brands, LLC

© Marca Registrada / TM Marca de Fábrica / SM Marca de Servicio de Sears Brands, LLC

^{MC} Marque de commerce / ^{MD} Marque déposée de Sears Brands, LLC

© Sears Brands, LLC