

# OWNER'S MANUAL

## LAWN ROLLER

ROLLER MODEL:

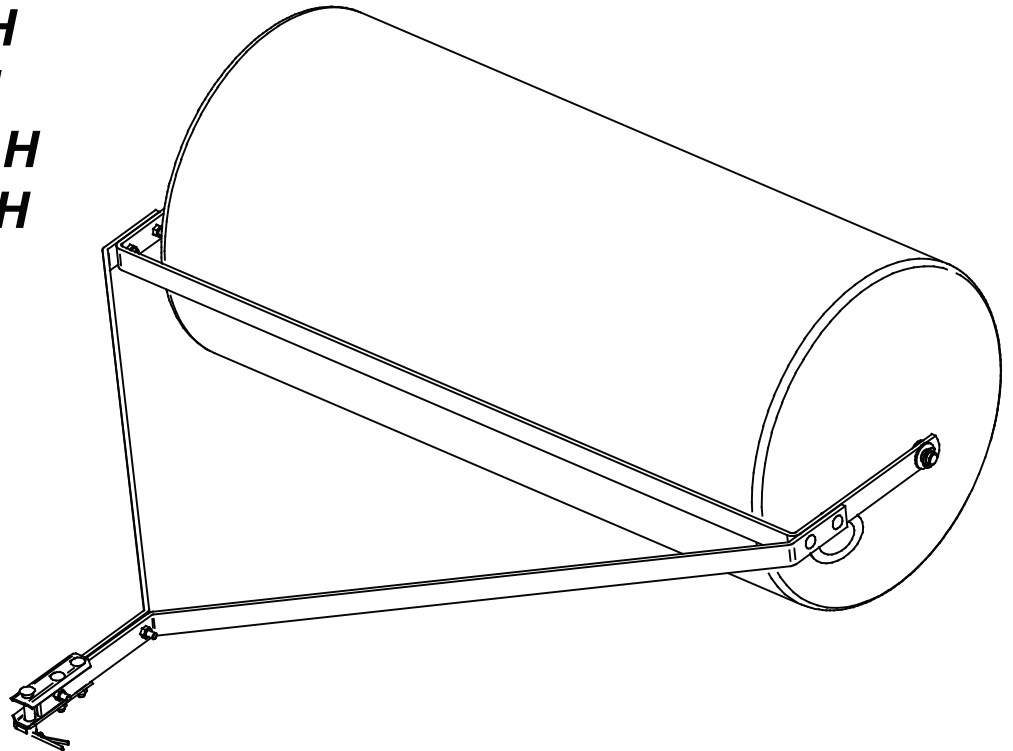
**PRC-241 BH**

**PRT-361 BH**

**PRT-361S BH**

**PRT-481S BH**

- Safety
- Assembly
- Operation
- Repair Parts
- Maintenance



*Recommended for use with Riding Mowers,  
Lawn or Garden Tractors, and ATV's  
\*PRC-241 BH Push version not shown.*

For the latest product updates and setup tips:

Visit us on the web!  
[www.brinly.com](http://www.brinly.com)

Important: This manual contains information for the safety of persons and property. Read it carefully before assembly and operation of the equipment!

CONGRATULATIONS on your new Brinly-Hardy Lawn Roller! Your Lawn Roller has been designed, engineered and manufactured to give you the best possible dependability and performance.

Should you experience any problem you can not easily remedy, please do not hesitate to contact our knowledgeable customer service department toll-free at 1-877-728-8224. We have competent, well trained technicians to help you.

Please read and retain this manual. The instructions will enable you to assemble and maintain your Lawn Roller properly. And please, always observe the "Safety Rules".

To Order Parts Call:  
877-728-8224

Visit us on the web:  
[www.brinly.com](http://www.brinly.com)

 **CUSTOMER RESPONSIBILITIES** \_\_\_\_\_

Read and Observe the "Safety Rules".

Follow a regular schedule in maintaining, caring-for and using your Brinly-Hardy Roller.

**TABLE OF CONTENTS** \_\_\_\_\_

SAFETY RULES.....	2
PARTS BREAKDOWN .....	3
ASSEMBLY .....	4
MAINTENANCE .....	6
OPERATION.....	6
PRODUCTS .....	7
WARRANTY.....	7




**Installation Questions?**  
**Missing Parts?**  
**Replacement Parts?**

**DON'T GO BACK TO THE STORE!**

Please call Customer Service Department Toll Free 877.728.8224 or [customerservice@brinly.com](mailto:customerservice@brinly.com)

 **RULES FOR SAFE OPERATION** \_\_\_\_\_

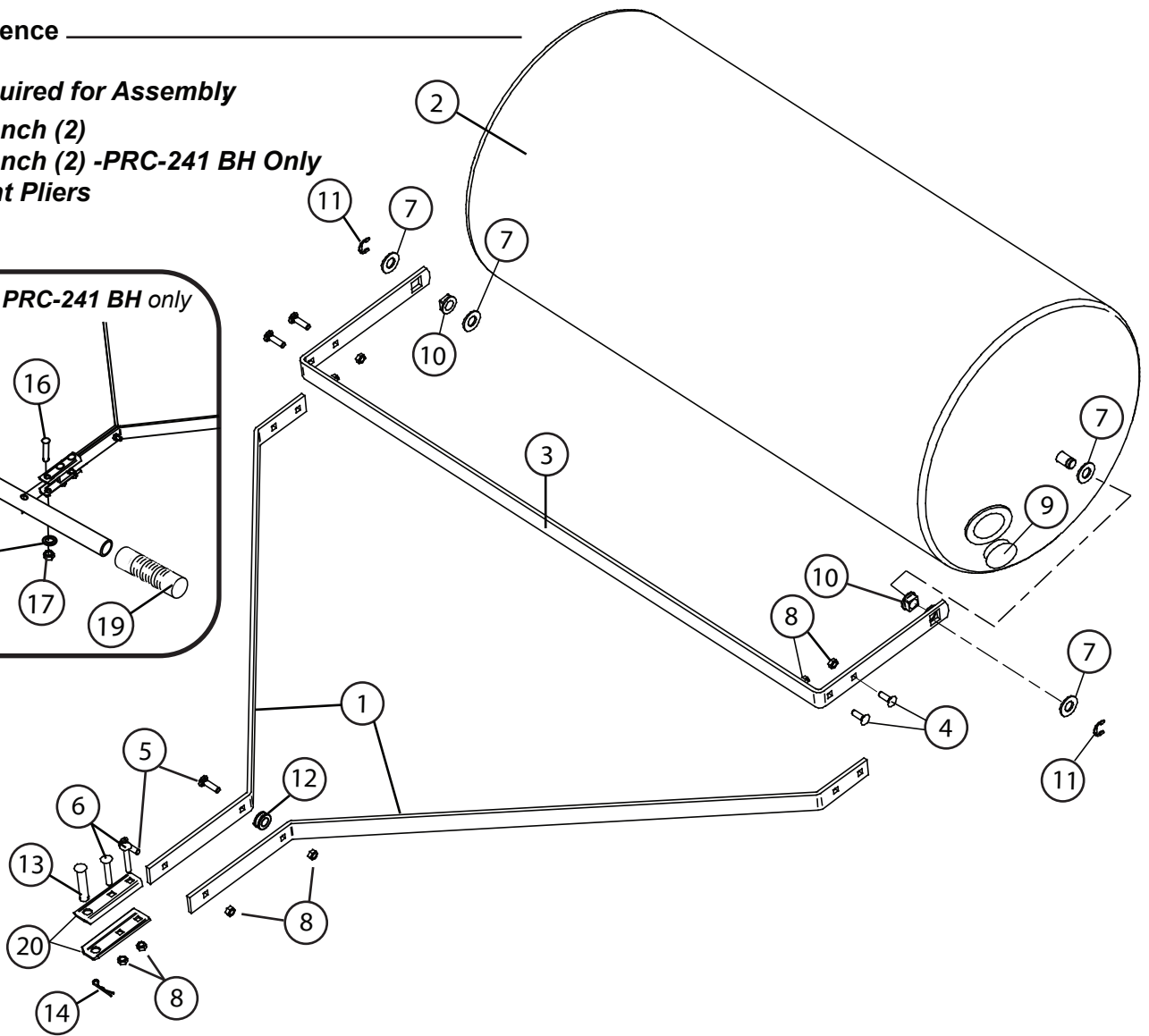
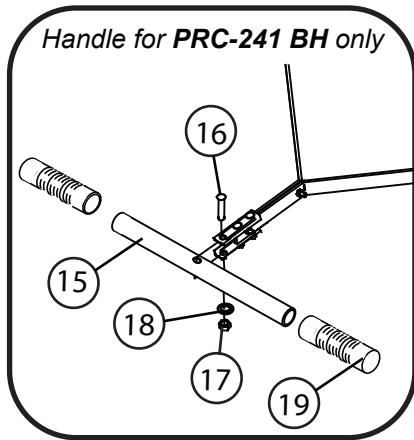
- Know controls and how to stop safely, READ THE OWNER'S MANUAL before operating.
- Do not allow children to operate the vehicle, do not allow adults to operate without proper instruction or without having read the owner's manual.
- Do not carry passengers. Keep children and pets a safe distance away.
- Always wear substantial footwear. Do not wear loose fitting clothing that can get caught in moving parts.
- Keep your eyes and mind on your tractor/attachment and area being covered. Do not let other interests distract you.
- Stay alert for holes in the terrain and other hidden hazards.
- Do not drive close to creeks, ditches and public highways.
- Watch out for traffic when crossing or near roadways.
- When using any attachment, don't allow anyone near the vehicle while in operation.
- Keep the vehicle and attachment in good operating condition and keep safety devices in place.
- Keep all nuts, bolts and screws tight to be sure the equipment is in safe working condition.
- The vehicle and attachment should be stopped and inspected for damage after striking a foreign object. The damage should be repaired before restarting and operating the equipment.
- See tractor equipment owner's manual for safe operation of the equipment.

 This symbol will help to point out important safety precautions throughout this manual. It means - ATTENTION! BECOME ALERT! Your safety is involved.

**Parts Reference**

**Tools Required for Assembly**

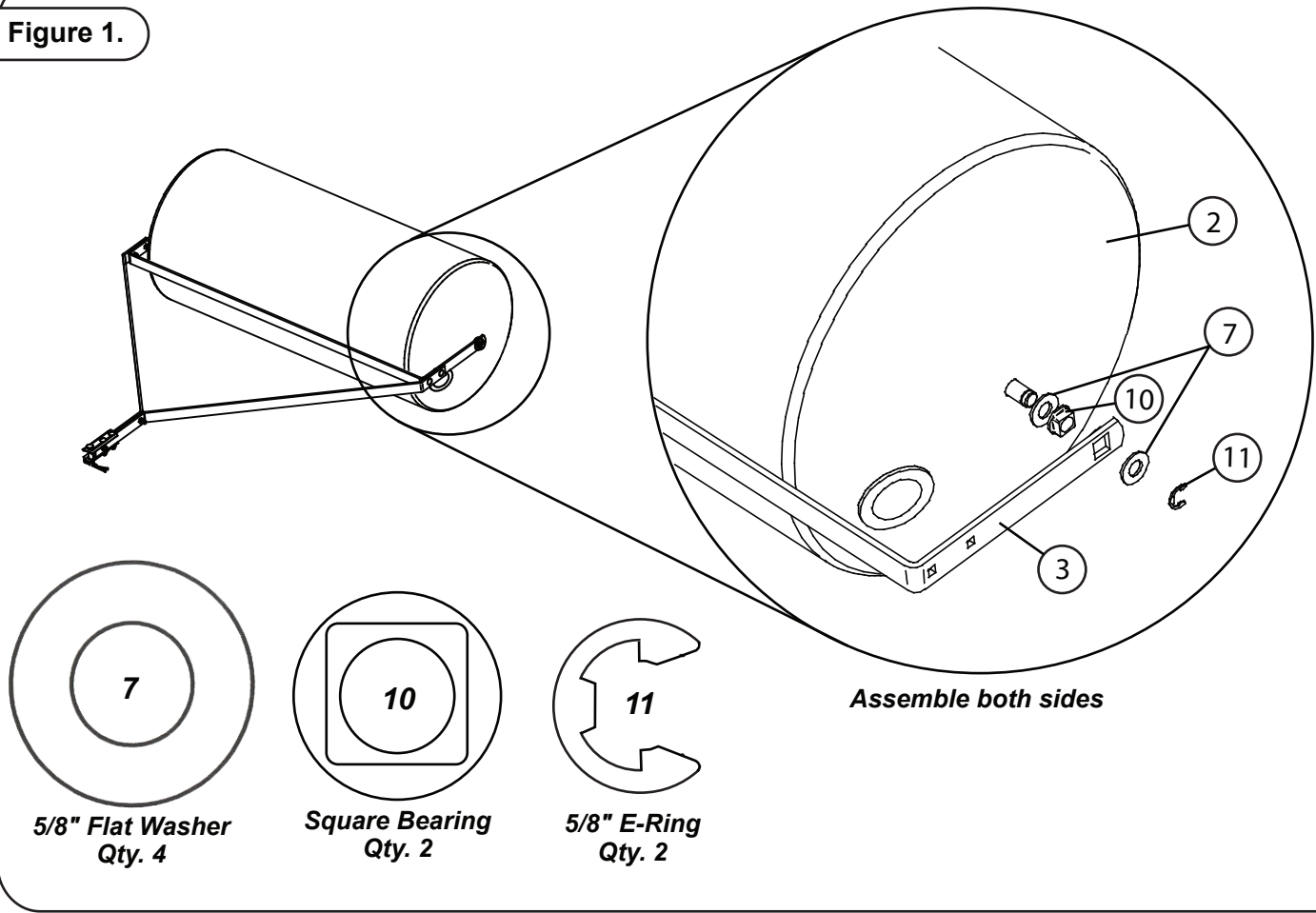
- 1/2" Wrench (2)
- 3/4" Wrench (2) -PRC-241 BH Only
- Slip Joint Pliers



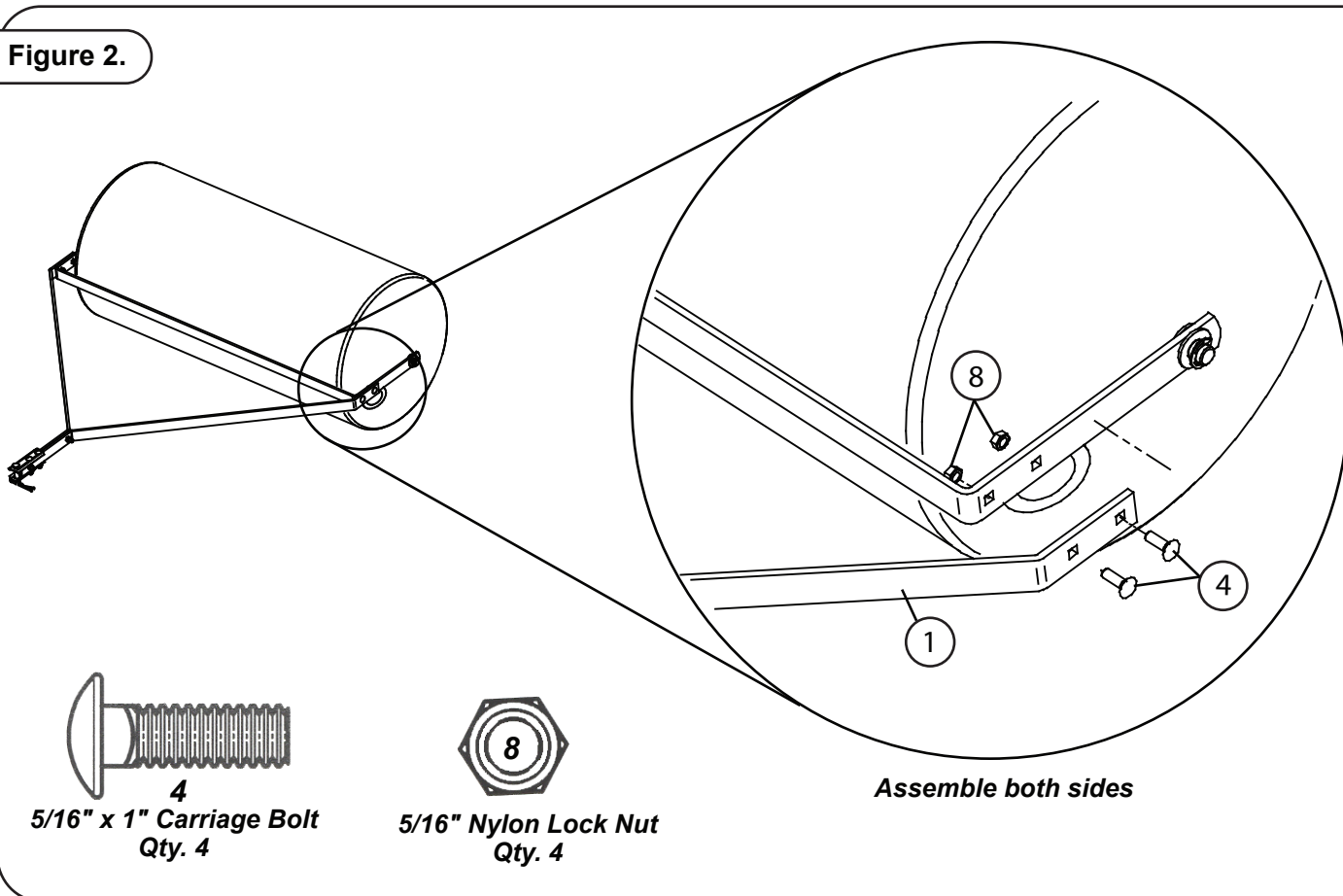
**Parts List**

REF. NO.	PRC-241 BH	PRT-361 BH	PRT-361S BH	PRT-481S BH	DESCRIPTION	QTY.
1	B-3554-10	B-6289-10	B-5357-10	B-6290-10	Frame Extension Bar	2
2	B-5121	B-6271	B-5353-B	B-5789-B	Roller Drum Assembly	1
3	B-6291-10	B-6272-10	B-6292-10	B-6294-10	Scraper Bar	1
4	11M1016P	11M1016P	11M1016P	11M1016P	5/16" x 1", Carriage Bolt	4
5	11M1024P	11M1024P	11M1024P	11M1024P	5/16" x 1-1/2", Carriage Bolt	2
6	11M1036P	11M1036P	11M1036P	11M1036P	5/16" x 2-1/4", Carriage Bolt	2
7	45M2121P	45M2121P	45M2121P	45M2121P	5/8" Flat Washer	4
8	B-4786	B-4786	B-4786	B-4786	5/16" Nylon Lock Nut	8
9	B5121-PL	B5121-PL	B5121-PL	B5121-PL	Plug	1
10	B-6270	B-6270	B-6270	B-6270	Square Bearing	2
11	F-577	F-577	F-577	F-577	5/8" E-Ring	2
12	R-1141	R-1141	R-1141	R-1141	Frame Spacer	1
13	B-3861	B-3861	B-3861	B-3861	Hitch Pin	1
14	D-146P	D-146P	D-146P	D-146P	Hitch Pin Cotter	1
15	B-3556-10				Handle	1
16	1M1636P				Hex Bolt 1/2" x 2-1/4"	1
17	30M1600P				Hex Nut 1/2"	1
18	40M1600P				Lock Washer 1/2"	1
19	B-2579				Grip	2
20	R-892-10	R-892-10	R-892-10	R-892-10	Clevis	2

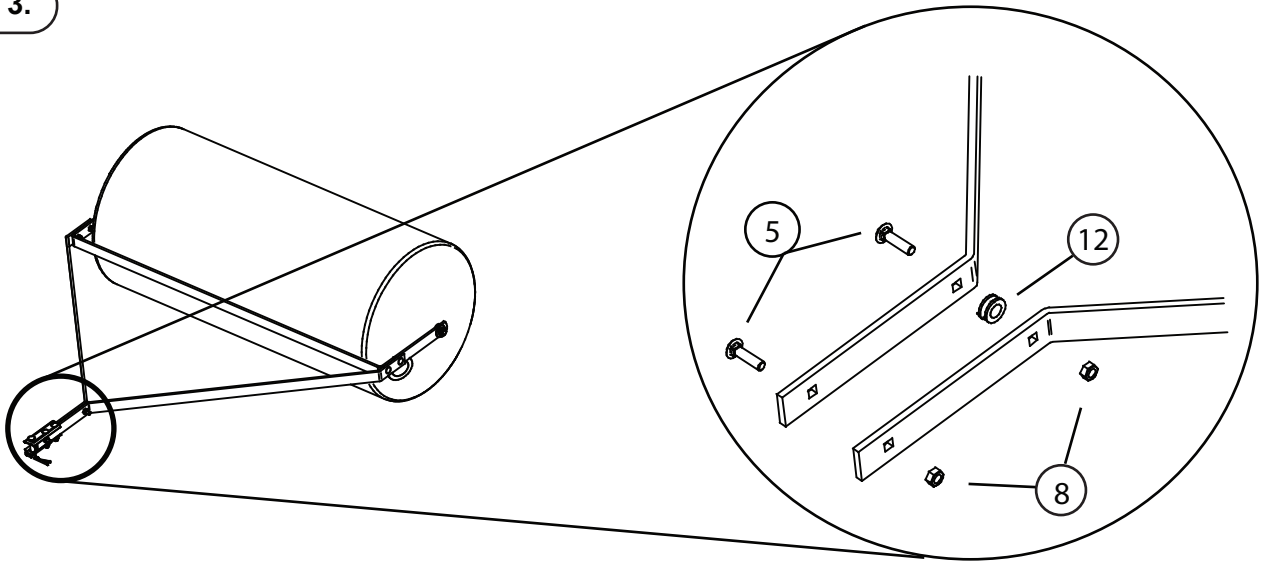
**Figure 1.**



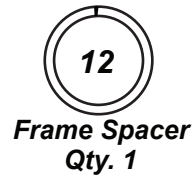
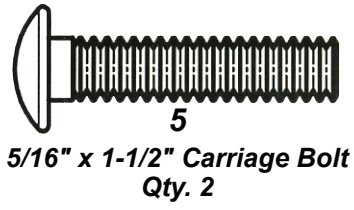
**Figure 2.**



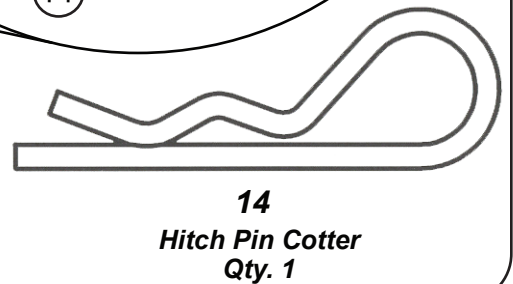
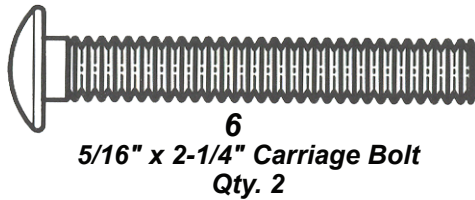
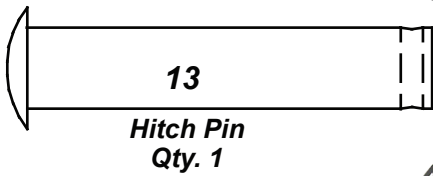
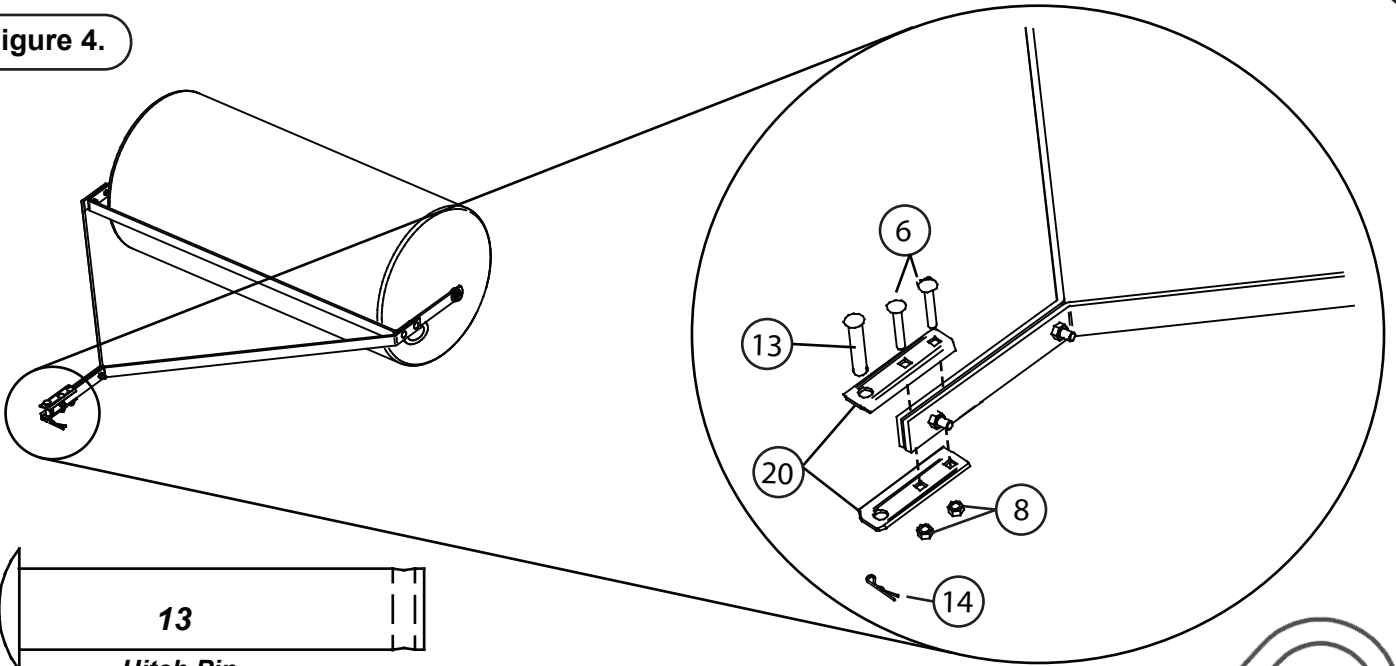
**Figure 3.**



Do not tighten until  
fig. 4 is complete

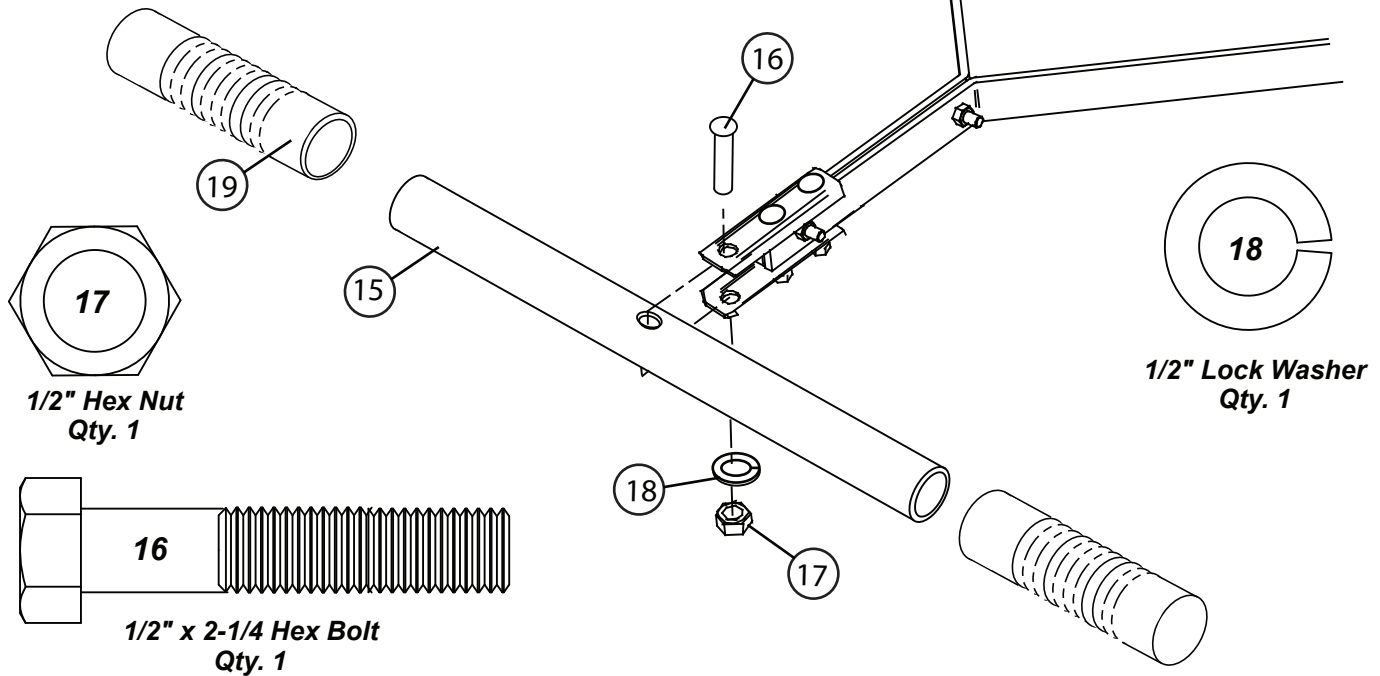


**Figure 4.**



**Figure 5.**

**NOTE: For PRC-241 Version Only!!**



**! OPERATION**

**CAUTION!** Do not overload your Tractor/Rider. Roller fully loaded with water weighs:

- PRC-241 BH = 270 lbs.
- PRT-361 BH = 690 lbs.
- PRT-361S BH = 390 lbs.
- PRT-481S BH = 485 lbs.

Refer to tractor manual to determine proper towing capacity or your Tractor/Rider.

Fill the Roller with amount of water recommended for your tractor/ rider. Screw in the plug (plug has pipe threads and may not screw all the way in) and tighten securely.

For longest life, drain the Roller and leave the plug out when not in use. Please note that sand may be used in place of water with no risk of freezing.

Ground condition is vital to good leveling. Soil should be moist, but not muddy.

Refer to your Tractor or Riding Mower Owner's manual for proper towing capacity and safe operation of your towing equipment. Towing/Stopping distances will be greatly affected by added weight of roller.

**! MAINTENANCE**

The key to years of trouble-free service is to keep your Lawn Roller clean and dry.

Occasionally check all moving parts for free movement and, if necessary, lubricate with oil.

Should rust develop, sand lightly and then paint area with enamel.

Periodically check all fasteners for tightness.

**! TRACTOR/RIDING MOWER SPEED**

Rollers yield the best results when ground conditions are correct, and equipment is operated at less than 3 MPH.

To calibrate your tractor to 3 MPH.

Measure a distance of 20 feet on a flat level surface. Adjust tractor throttle and select a gear to cover this distance in 4.5 seconds.

# MANUFACTURER'S LIMITED WARRANTY FOR



## Pull Behind Accessories

The limited warranty set forth below is given by Brinly-Hardy Company with respect to new merchandise purchased and used in the United States, its possessions and territories.

Brinly-Hardy Company warrants the products listed below against defects in material and workmanship, and will at its option, repair or replace, free of charge, any part found to be defective in materials or workmanship. This limited warranty shall only apply if this product has been assembled, operated, and maintained in accordance with the Operator's manual furnished with the product, and has not been subject to misuse, abuse, commercial use, neglect, accident, improper maintenance, alteration, vandalism, theft, fire, water, or damage because of other peril or natural disaster.

Normal Wear Parts or components thereof are subject to separate terms as follows: All normal wear parts or component failures will be covered on the product for a period of 90 days.

Parts found to be defective within the warranty period will be replaced at our expense. Our obligation under this warranty is expressly limited to the replacement or repair, at our option, of parts found to be defective in material and workmanship.

**HOW TO OBTAIN SERVICE:** Warranty parts replacements are available, **ONLY WITH PROOF OF PURCHASE**, through our Pull Behind Accessories Customer Service Department. Call 877-728-8224.

This limited warranty does not provide coverage in the following cases:

- Routine maintenance items such as lubricants and filters.
- Normal deterioration of the exterior finish due to use or exposure.
- Transportation and/or labor charges.
- The warranty does not include commercial and/or rental use.

**No implied warranty, including any implied warranty of merchantability of fitness for a particular purpose, applies after the applicable period of express written warranty above as to the part as identified below. No other express warranty whether written or oral, except as mentioned above, given by any person or entity, including a dealer or retailer, with respect to any product, shall bind Brinly-Hardy Co. During the period of the warranty, the exclusive remedy is repair or replacement of the product as set forth above.**

**The provisions as set forth in this warranty provide the sole and exclusive remedy arising from the sale. Brinly-Hardy Co. shall not be liable for incidental or consequential loss or damage including, without limitation, expenses incurred for substitute or replacement lawn care services or for rental expenses to temporarily replace a warranted product.**

Some states do not allow the exclusion or limitation of incidental or consequential damages, or limitations on how long an implied warranty lasts, so the above exclusions or limitations may not apply to you.

During the warranty period, the exclusive remedy is replacement of the part. In no event shall recovery of any kind be greater than the amount of the purchase price of the product sold. Alteration of safety features of the product shall void this warranty. You assume the risk and liability for loss, damage, or injury to you and your property and/or to others and their property arising out of the misuse or inability to use this product.

This limited warranty shall not extend to anyone other than the original purchaser or to the person for whom it was purchased as a gift.

**HOW STATE LAW RELATES TO THIS WARRANTY:** This limited warranty gives you specific legal rights, and you may also have other rights which vary from state to state.

**IMPORTANT:** The Warranty period stated below begins with the **PROOF OF PURCHASE**. Without the proof of purchase, the Warranty period begins from the date of manufacture determined by the serial number manufacturing date.

**SPREADER WARRANTY PERIOD:**  
The warranty period is as follows: 2 Years.