

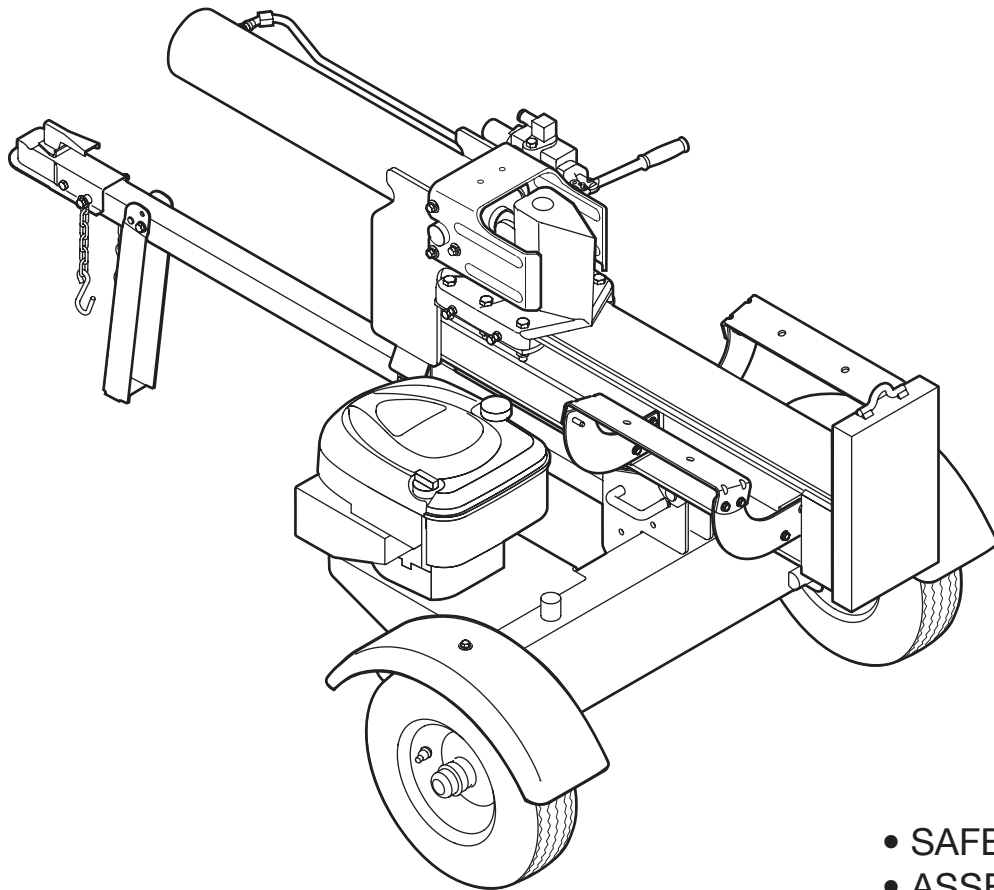
Operator's Manual

CRAFTSMAN®

675 Series

LOG SPLITTER

Model No. 247.77640



CAUTION: Before using this product, read this manual and follow all safety rules and operating instructions.

- SAFETY
- ASSEMBLY
- OPERATION
- MAINTENANCE
- PARTS LIST
- Spanish

Sears, Roebuck and Co., Hoffman Estates, IL 60179, U.S.A.

Visit our web site: www.sears.com/craftsman

FORM NO. 769-03989A
04/14/2008

TABLE OF CONTENTS

Warranty Statement.....	Page 2	Maintenance	Pages 16-18
Repair Protection Agreement	Page 3	Off Season Storage	Page 19
Safe Operation Practices.....	Pages 4-6	Troubleshooting	Page 20-22
Safety Labels	Page 7	Parts List.....	Page 23-30
Assembly	Pages 8-9	Español	Page 34
Operation.....	Pages 10-13	Service Numbers	Back Cover
Service & Adjustments	Pages 14-15		

WARRANTY STATEMENT

Limited Warranty on Craftsman Log Splitter

For one (1) year from the date of purchase, if this Craftsman Equipment is maintained, lubricated, and tuned up according to the instructions to the operator's manual, Sears will repair or replace free of charge any parts found to be defective in material or workmanship. Warranty service is available free of charge by returning Craftsman equipment to your nearest Sears Service Center. In-home warranty service is available but a trip charge will apply. This Warranty applies only while this product is in the United States.

This warranty does not cover:

- Expendable items which become worn during normal use, such as spark plugs, air cleaners, belts, and oil filters.
- Tire replacement or repair caused by punctures from outside objects, such as nails, thorns, stumps, or glass.
- Repairs necessary because of operator abuse, including but not limited to, damage caused by objects, such as stones or metal debris, oversized stock, impacting objects that bend the frame or crankshaft, or over-speeding the engine.
- Repairs necessary because of operator negligence, including but not limited to, electrical and mechanical damage caused by improper storage, failure to use the proper grade and amount of engine oil, or failure to maintain the equipment according to the instructions contained in the operator's manual.
- Engine (fuel system) cleaning or repairs caused by fuel determine to be contaminated or oxidized (stale). In general, fuel should be used within 30 days of its purchase date.
- Equipment used for commercial or rental purposes.

WARRANTY SERVICE IS AVAILABLE BY RETURNING THE CRAFTSMAN SNOW THROWER TO THE NEAREST SEARS PARTS & REPAIR CENTER IN THE UNITED STATES.

This warranty applies only while this product is in use in the United States.

TO LOCATE THE NEAREST SEARS PARTS & REPAIR CENTER OR TO SCHEDULE SERVICE, SIMPLY CONTACT SEARS AT 1-800-4-MY-HOME®.

This warranty gives you specific legal rights and you may also have other rights which may vary from state to state.

SEARS, ROEBUCK AND CO., D/817WA, HOFFMAN ESTATES, IL 60179

PRODUCT SPECIFICATIONS

Engine Series: **126T02-0523**
Engine Oil: **SAE 30**
Engine Oil Capacity: **20 Ounces**
Fuel Capacity: **1.5 Quarts**
Spark Plug (.030" Gap): **Champion® RJ19LM**
Hydraulic Fluid/ Capacity: **Dexron® III/ 3.0 gal.**

MODEL NUMBER

Model Number

Serial Number

Date of Purchase.....

**Record the model number, serial number
and date of purchase above**

REPAIR PROTECTION AGREEMENT

Congratulations on making a smart purchase. Your new Craftsman® product is designed and manufactured for years of dependable operation. But like all products, it may require repair from time to time. That's when having a Repair Protection Agreement can save you money and aggravation.

Here's what the Repair Protection Agreement* includes:

- **Expert service** by our 10,000 professional repair specialists
- **Unlimited service and no charge** for parts and labor on all covered repairs
- **Product replacement** up to \$1500 if your covered product can't be fixed
- **Discount of 10%** from regular price of service and related installed parts not covered by the agreement; also, 10% off regular price of preventive maintenance check
- **Fast help by phone** – we call it Rapid Resolution – phone support from a Sears representative. Think of us as a “talking owner's manual.”

Once you purchase the Agreement, a simple phone call is all that it takes for you to schedule service. You can call anytime day or night, or schedule a service appointment online.

The Repair Protection Agreement is a risk-free purchase. If you cancel for any reason during the product warranty period, we will provide a full refund. Or, a prorated refund anytime after the product warranty period expires. Purchase your Repair Protection Agreement today!

Some limitations and exclusions apply. For prices and additional information in the U.S.A. call 1-800-827-6655.

***Coverage in Canada varies on some items. For full details call Sears Canada at 1-800-361-6665.**

Sears Installation Service

For Sears professional installation of home appliances, garage door openers, water heaters, and other major home items, in the U.S.A. or Canada call **1-800-4-MY-HOME®**.

SAFETY INSTRUCTIONS

WARNING



This symbol points out important safety instructions which, if not followed, could endanger the personal safety and/or property of yourself and others. Read and follow all instructions in this manual before attempting to operate this machine. Failure to comply with these instructions may result in personal injury. When you see this symbol, HEED ITS WARNING!

WARNING

CALIFORNIA PROPOSITION 65

Engine Exhaust, some of its constituents, and certain vehicle components contain or emit chemicals known to State of California to cause cancer and birth defects or other reproductive harm.

DANGER

This machine was built to be operated according to the safe operation practices in this manual. As with any type of power equipment, carelessness or error on the part of the operator can result in serious injury. This machine is capable of amputating fingers, hands, toes and feet and throwing debris. Failure to observe the following safety instructions could result in serious injury or death.

WARNING

Your Responsibility—Restrict the use of this power machine to persons who read, understand and follow the warnings and instructions in this manual and on the machine.

SAVE THESE INSTRUCTIONS!

Training

1. Read, understand, and follow all instructions on the machine and in the manual before attempting to assemble and operate. Keep this manual in a safe place for future and regular reference and for ordering replacement parts.
2. Read the Operator's Manual and follow all warnings and safety instructions. Failure to do so can result in serious injury to the operator and/or bystanders. For questions call, 1-800-659-5917.
3. Be familiar with all controls and their proper operation. Know how to stop the machine and disengage them quickly.
4. Never allow children under 16 years of age to operate this machine. Children 16 and over should read and understand the instructions and safe operation practices in this manual and on the machine and be trained and supervised by an adult.
5. Never allow adults to operate this machine without proper instruction.
6. Many accidents occur when more than one person operates the machine. If a helper is assisting in stacking logs, never activate the control until the helper is a minimum of 10 feet from the machine.
7. Keep bystanders, pets, and children at least 20 feet from the machine while it is in operation.
8. Never allow anyone to ride on this machine.
9. Never transport cargo on this machine.
10. Hydraulic log splitters develop high fluid pressures during operation. Fluid escaping through a pin hole opening can penetrate your skin and cause blood poisoning, gangrene, or death. Give attention to the following instructions at all times:
 - a. Do not check for leaks with your hand.
 - b. Do not operate machine with frayed, kinked, cracked, or damaged hoses, fittings, or tubing.
 - c. Stop the engine and relieve hydraulic system pressure before changing or adjusting fittings, hoses, tubing, or other system components.
 - d. Do not adjust the pressure settings of the pump or valve.
10. Leaks can be detected by passing cardboard or wood, while wearing protective gloves and safety glasses, over the suspected area. Look for discoloration of cardboard or wood.
11. If injured by escaping fluid, see a doctor immediately. Serious infection or reaction can develop if proper medical treatment is not administered immediately.
12. Keep the operator zone and adjacent area clear for safe, secure footing.
13. If your machine is equipped with an internal combustion engine and is intended for use near any unimproved forest, brush, or grass covered land, the engine exhaust should be equipped with a spark arrester. Make sure you comply with applicable local, state, and federal codes. Take appropriate firefighting equipment with you.
14. This machine should be used for splitting wood only, do not use it for any other purpose.
15. Follow the instructions in the manual(s) provided with any attachment(s) for this machine.

SAFETY INSTRUCTIONS

Preparation

1. Always wear safety shoes or heavy boots.
2. Always wear safety glasses or safety goggles when operating this machine.
3. Never wear jewelry or loose clothing that might become entangled in moving or rotating parts of the machine.
4. Make sure machine is on a level surface before operating.
5. Always block wheels to prevent unintended movement, and lock beam in either the horizontal or vertical position.
6. Always operate this machine from the operator zone(s) specified in the manual.
7. Logs should be cut with square ends prior to splitting.
8. Use log splitter in daylight or under good artificial light.

Safe Handling of Gasoline

To avoid personal injury or property damage use extreme care in handling gasoline. Gasoline is extremely flammable and the vapors are explosive. Serious personal injury can occur when gasoline is spilled on yourself or your clothes which can ignite. Wash your skin and change clothes immediately.

- a. Use only an approved gasoline container.
- b. Extinguish all cigarettes, cigars, pipes, and other sources of ignition.
- c. Never fuel machine indoors.
- d. Never remove gas cap or add fuel while the engine is hot or running.
- e. Allow engine to cool at least two minutes before refueling.
- f. Never overfill the fuel tank. Fill tank to no more than 1/2 inch below bottom of filler neck to provide space for fuel expansion.
- g. Replace gasoline cap and tighten securely.
- h. If gasoline is spilled, wipe it off the engine and equipment and move machine to another area. Wait five (5) minutes before starting the engine.
- i. Never store the machine or fuel container inside where there is an open flame, spark or pilot light as on a water heater, space heater, furnace, clothes dryer or other gas appliances.
- j. Allow machine to cool at least five (5) minutes before storing.

Operation

1. Before starting this machine, review the "Safety Instructions". Failure to follow these rules may result in serious injury to the operator or bystanders.
2. Never leave this machine unattended with the engine running.
3. Do not operate machine while under the influence of alcohol, drugs, or medication.
4. Never allow anyone to operate this machine without proper instruction.
5. Always operate this machine with all safety equipment in place and working. Make sure all controls are properly adjusted for safe operation.
6. Operator Zone
 - a. Horizontal Operating Position: Stand on the control lever side of the log splitter in front of the wheel as shown in Fig. 1.
 - b. Vertical Operating Position: Stand in front of the beam and log as shown in Fig. 1.

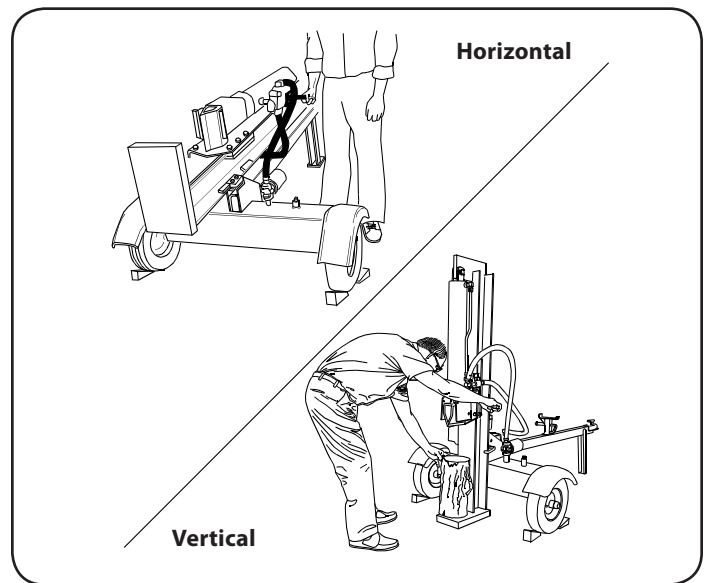


Figure 1

7. Do not change the engine governor settings or overspeed the engine. The governor controls the maximum safe operating speed of the engine.
8. When loading a log, always place your hands on the sides of the log, not on the ends, and never use your foot to help stabilize a log. Failure to do so, may result in crushed or amputated fingers, toes, hand, or foot.
9. Use only your hand to operate the controls.
10. Never attempt to split more than one log at a time unless the ram has fully extended and a second log is needed to complete the separation of the first log.
11. For logs which are not cut square, the least square end and the longest portion of the log should be placed toward the beam and wedge, and the square end placed toward the end plate.

SAFETY INSTRUCTIONS

12. When splitting in the vertical position, stabilize the log before moving the control. Split as follows:
 - a. Place log on the end plate and turn until it leans against the beam and is stable.
 - b. When splitting extra large or uneven logs, the log must be stabilized with wooden shims or split wood between the log and end plate or ground.
12. Always keep fingers away from any cracks that open in the log while splitting. They can quickly close and pinch or amputate your fingers.
13. Keep your work area clean. Immediately remove split wood around the machine so you do not stumble over it.
14. Never move this machine while the engine is running.
15. This machine should not be towed on any street, highway or public road without checking the existing federal, state, or local vehicle requirements. Any licensing or modifications such as taillights, etc., needed to comply, is the sole responsibility of the purchaser. If a "Statement of Origin" is required in your state, see your local dealer.
16. Do not tow machine over 45 mph.
17. See Transporting the Log Splitter section in this manual for proper towing instructions once all federal, local, or state requirements are met.

Maintenance and Storage

WARNING

This machine is equipped with an internal combustion engine and should not be used on or near any unimproved forest-covered, brush-covered or grass-covered land unless the engine's exhaust system is equipped with a spark arrester meeting applicable local or state laws (if any)

1. Stop the engine, disconnect the spark plug and ground it against the engine before cleaning, or inspecting the machine.
2. Stop the engine and relieve hydraulic system pressure before repairing or adjusting fittings, hoses, tubing, or other system components.
3. To prevent fires, clean debris and chaff from the engine and muffler areas. If the engine is equipped with a spark arrester muffler, clean and inspect it regularly according to manufacturers instructions. Replace if damaged.
4. Periodically check that all nuts and bolts, hose clamps, and hydraulic fittings are tight to be sure equipment is in safe working condition.
5. Check all safety guards and shields to be sure they are in the proper position. Never operate with safety guards, shields, or other protective features removed.
6. The pressure relief valve is preset at the factory. Do not adjust the valve.
7. Never attempt to move this machine over hilly or uneven terrain without a tow vehicle or adequate help.
8. For your safety, replace all damaged or worn parts immediately with original equipment manufacturer's (O.E.M.) parts only. "Use of parts which do not meet the original equipment specifications may lead to improper performance and compromise safety!"
9. Do not alter this machine in any manner, alterations such as attaching a rope or extension to the control handle, or adding to the width or height of the wedge may result in personal injury.
10. According to the Consumer Products Safety Commission (CPSC) and the U.S. Environmental Protection Agency (EPA), this product has an *Average Useful Life* of seven (7) years, or 130 hours of operation. At the end of the *Average Useful Life* have the machine inspected annually by an authorized service dealer to ensure that all mechanical and safety systems are working properly and not worn excessively. Failure to do so can result in accidents, injuries or death.

Spark Arrester

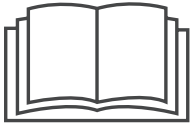

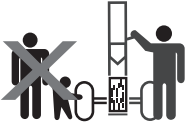


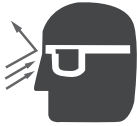

If a spark arrester is used, it should be maintained in effective working order by the operator. In the State of California the above is required by law (Section 4442 of the California Public Resources Code). Other states may have similar laws. Federal laws apply on federal lands.

A spark arrester for the muffler is available through your nearest Sears Parts and Repair Service Center.

SAFETY INSTRUCTIONS

Safety Symbols

This page depicts and describes safety symbols that may appear on this product. Read, understand, and follow all instructions on the machine before attempting to assemble and operate.

Symbol	Description
	READ THE OPERATOR'S MANUAL(S) Read, understand, and follow all instructions in the manual(s) before attempting to assemble and operate
	WARNING— CRUSHING HAZARD Keep hands away from wedge, end plate, partly split wood and moving parts.
	BYSTANDARDS Keep bystanders, helpers and children at least 10 feet away.
	SINGLE OPERATOR Only one person should operate the machine at a time. The adult who loads and holds log must be the one who operates control handle.
	WARNING— PRESSURIZED FLUID Never check for hose leaks with your hands. High pressure fluid can escape through a pin hole leak and cause serious injury by puncturing the skin and causing blood poisoning.
	EYE PROTECTION Always wear safety glasses or safety goggles when operating this machine.
	WARNING— MOVING WEDGE Keep hands away from wedge and moving parts.

ASSEMBLY

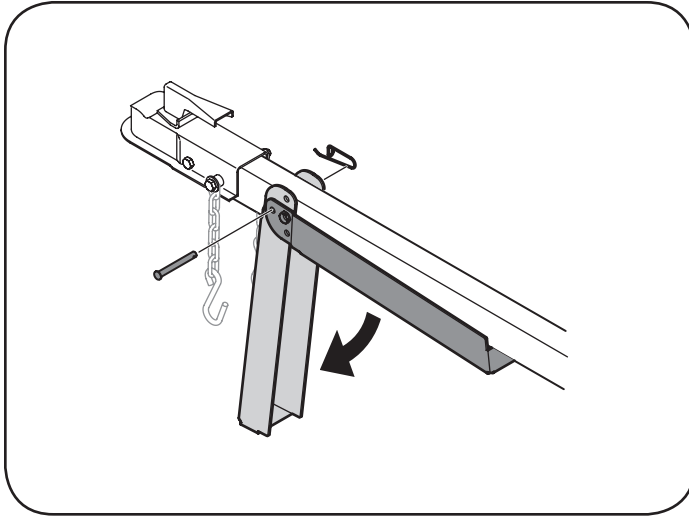


Figure 3-1

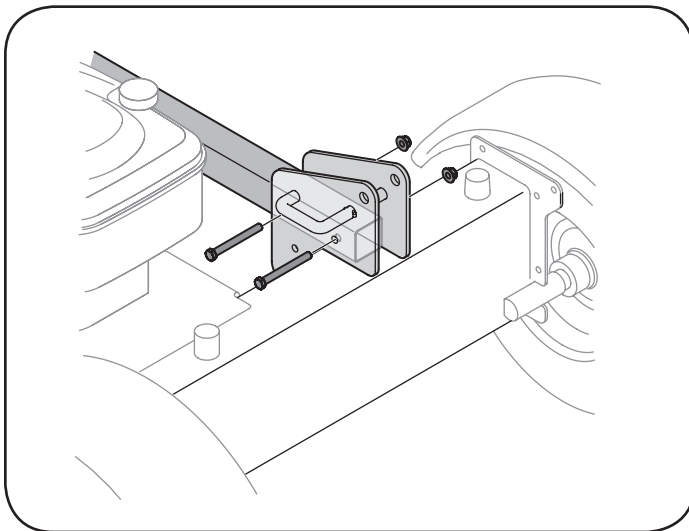


Figure 3-2

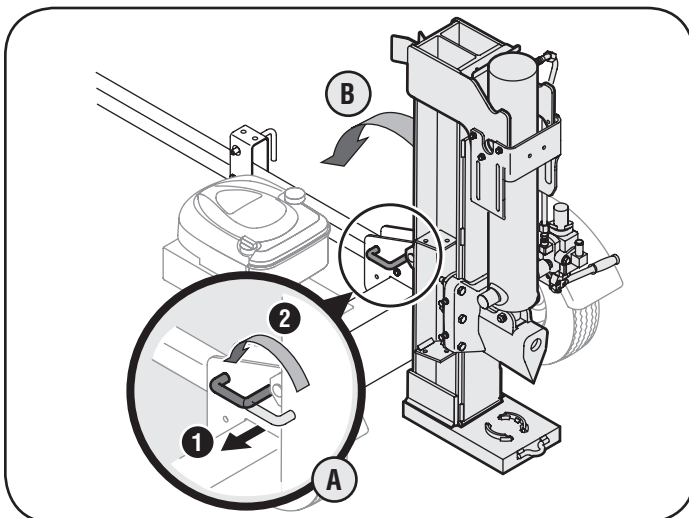


Figure 3-3

IMPORTANT: Your log splitter is shipped with motor oil in the engine. However, you **MUST** check the oil level before operating. Be careful not to overfill.

NOTE: All references in this manual to the left or right side of the log splitter are from the operating position only.

REMOVING THE LOG SPLITTER FROM THE CARTON

1. Pry the top, sides and ends off of the crate.
2. Set the panels aside to avoid tire punctures or personal injury.
3. Remove and discard the plastic bag that covers the log splitter.
4. Remove any loose parts included with the log splitter (i.e., operator's manual, etc.)
5. Cut and remove the straps which secure the parts to the bottom of the crate. Unbolt any remaining parts which may be bolted to the bottom of the crate.

⚠ WARNING

Use extreme caution unpacking this machine. Some components are very heavy and will require additional people or mechanical handling equipment.

LOOSE PARTS IN CARTON

1. Tongue Assembly

⚠ WARNING

Disconnect the spark plug wire and ground it against the engine to prevent unintended starting.

ASSEMBLING THE TONGUE

Attaching the Jack Stand

The jack stand is shipped in the transport position.

1. Remove the spring clip and clevis pin and pivot the jack stand towards the ground to the operating position.
2. Secure the jack stand in position with the clevis pin and spring clip. See Figure 3-1.

Attaching the Tongue

1. With the log splitter still standing upright, remove the two hex bolts and hex nuts from the tank bracket. See Figure 3-2.
2. Align the holes in the tongue with the holes in the tank bracket and secure with the hardware just removed. See Figure 3-2.

NOTE: The high pressure hose must be above the tongue assembly.

CONNECTING CYLINDER TO BEAM

The log splitter is shipped with the beam in the vertical position.

1. Pull out the vertical beam lock, rotate it back and pivot the beam to the horizontal position until it locks. See Figure 3-3.
2. Disconnect the dislodger from the beam weld bracket by removing the six hex screws. See Figure 3-4.

ASSEMBLY

3. Disconnect the log cradle from the beam on the side of the control valve. See Figure 3-5.
4. Lift and slide the cylinder up to the top of beam and into the weld brackets.
5. Attach the dislodger over the wedge assembly and secure it to the weld brackets with the previously removed hardware.

NOTE: Once the six hex screws are tightened, there may be a slight gap between the dislodger and the weld brackets. This gap is normal.

6. Reattach the log cradle to the side of the beam with the control valve, aligning the ends of the cradle with the beam flanges.
7. Roll the log splitter off the bottom crate.

PREPARING THE LOG SPLITTER

1. Lubricate the beam area (where the splitting wedge will slide) with engine oil. Do not use grease.
2. Remove the vented reservoir dipstick, which is located in front of the engine on top of the reservoir tank. See Figure 3-6.

IMPORTANT: The log splitter may have been shipped and primed with hydraulic fluid in the reservoir tank. However, you **MUST** check the fluid level before operating. **If the reservoir tank is not filled**, proceed with the following steps:

3. Fill the reservoir tank with the hydraulic fluid included with this machine (if equipped) or one of the approved fluids which include Dexron® III / Mercon® automatic transmission fluid or a 10 Weight AW hydraulic oil.
4. Check the fluid level using the dipstick. See Figure 3-6. Do not overfill.
5. Replace the vented dipstick securely, tightening it until the top of the threads are flush with top of the pipe.
6. Disconnect the spark plug and prime the pump by pulling the recoil starter as far as it will go. Repeat approximately 10 times.
7. Reconnect the spark plug wire and start the engine following the instructions in the OPERATION section.
8. Use the control handle to engage the wedge to the farthest extended position. Then retract the wedge.
9. Refill the tank as specified on the dipstick.

NOTE: Failure to refill the tank will void the warranty.

10. Extend and retract the wedge 12 complete cycles to remove any air trapped in the system (the system is "self-bleeding").
11. Refill the reservoir within the range marked on the dipstick.

⚠ WARNING

Much of the original fluid has been drawn into the cylinder and hoses. Make certain to refill the reservoir to prevent damage to the hydraulic pump.

NOTE: Some fluid may overflow from the vent plug as the system builds heat and the fluid expands and seeks a balanced level.

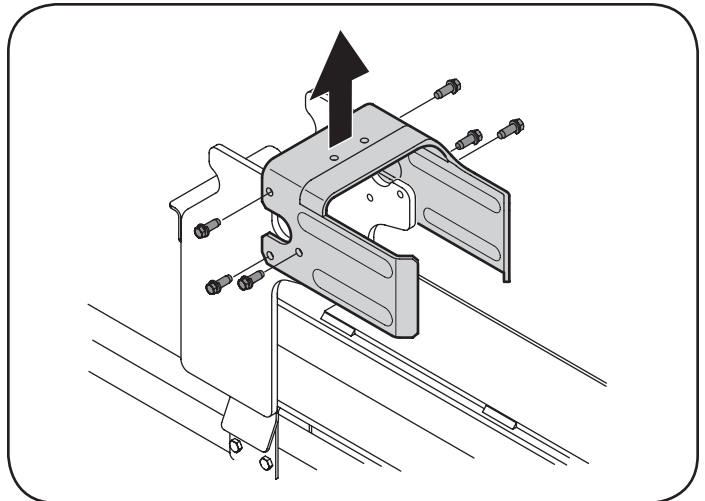


Figure 3-4

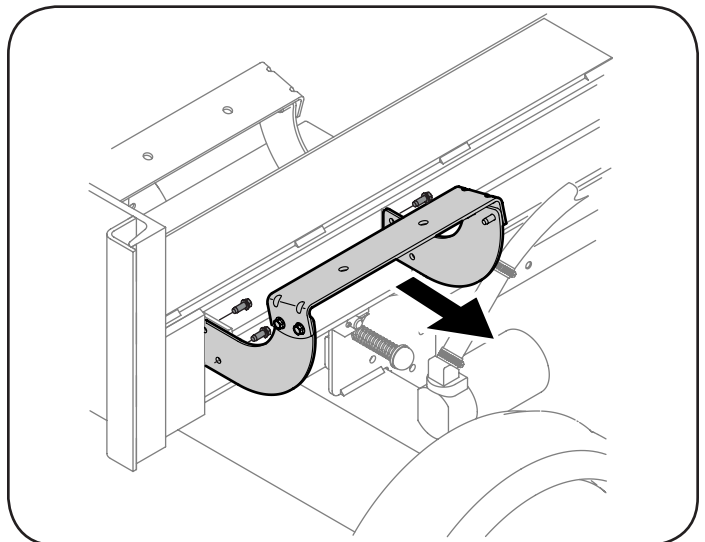


Figure 3-5

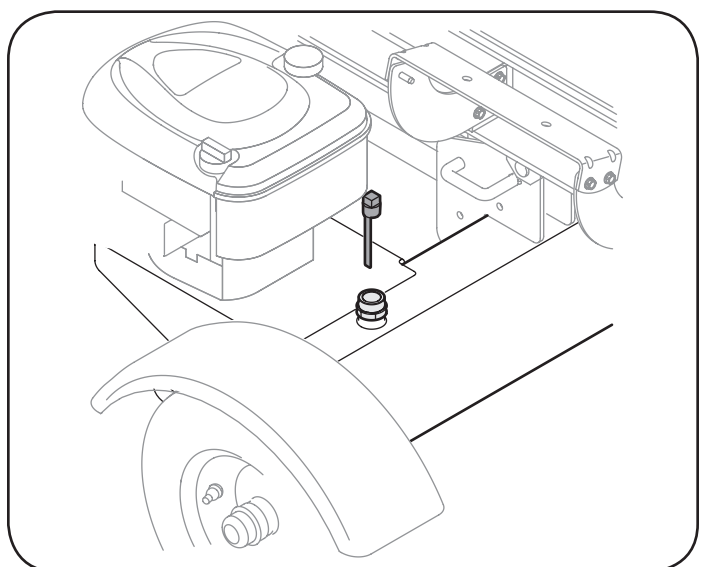


Figure 3-6

OPERATION

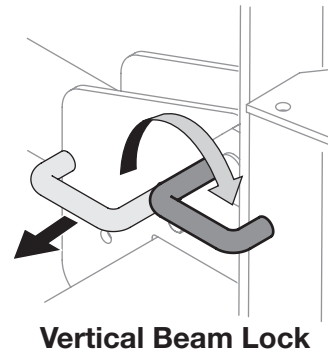
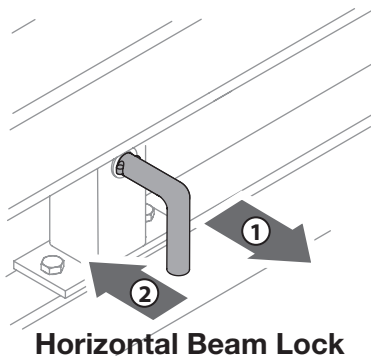
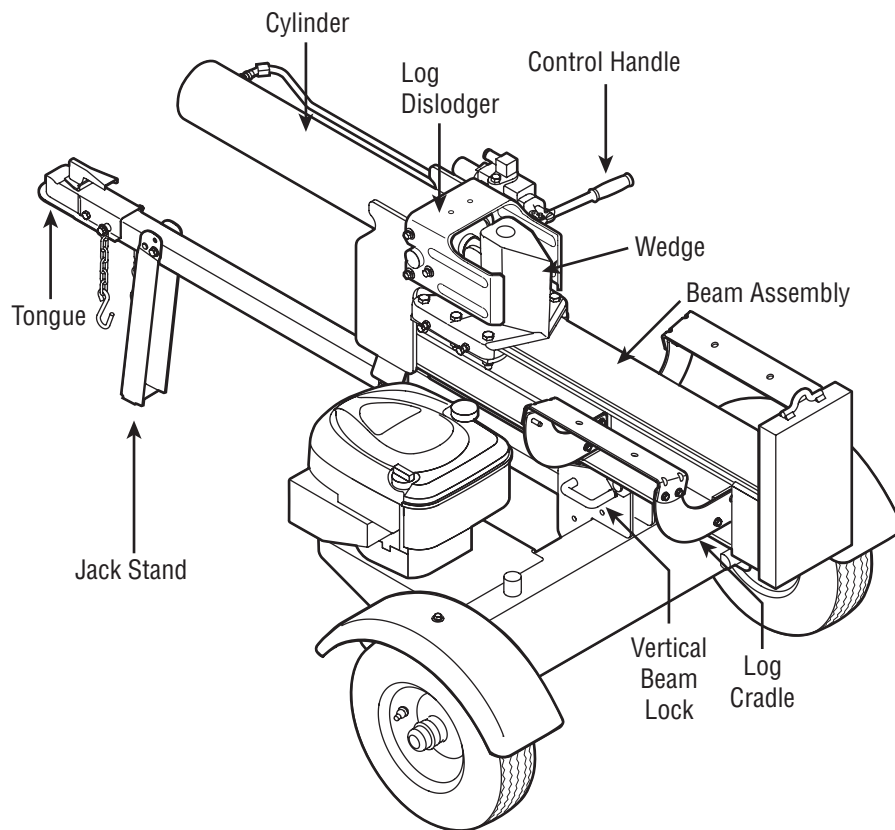


Figure 4-1

⚠ WARNING

Read this operator's manual and the safety rules before operating your log splitter. Compare the illustrations below with your equipment to familiarize yourself with the location of various controls and adjustments. Save this manual for future reference.

Always wear safety glasses when operating this equipment or while performing any adjustments or repairs on it.

⚠ WARNING

Be familiar with all the controls and their proper operation. Know how to stop the machine and disengage them quickly.

Beam Locks

These two locks are used to secure the beam in the horizontal or the vertical position. The vertical beam lock is located next to the oil filter. The horizontal beam lock is located on the beam support latch bracket. See Figure 4-1.

MEETS ANSI SAFETY STANDARDS

Craftsman Log Splitters conform to the safety standard of the American National Standards Institute (ANSI).

OPERATION

ENGINE CONTROLS

Stop Switch

Push the switch to ON prior to choking for the engine start; push to OFF to shut the engine down.

Choke Control

The choke control is used to choke off the carburetor and assist in starting the engine.

Starter Handle

The starter handle is located on the engine. Pull the starter handle to start engine.

Control Handle

The control handle has three positions. See Figure 4-2.

- **FORWARD:** Move the control handle FORWARD or DOWN to move the wedge and split wood.

NOTE: The Control Handle will return to the neutral position as soon as the handle is released. (**Forward Position only**)

- **NEUTRAL:** Release the control handle or move the lever to neutral position to stop the wedge movement.
- **REVERSE:** Move the control handle BACK or UP to return the wedge toward the cylinder. The control handle stays in the return (Reverse) position and returns to neutral automatically when fully retracted.

NOTE: The reverse position may also be operated back to neutral position manually, if necessary.

GAS AND OIL FILL-UP

IMPORTANT: Your log splitter may be shipped with motor oil in the engine. You MUST check the oil level before operating. Be careful not to overfill.

⚠ WARNING

Use extreme care when handling gasoline. Gasoline is extremely flammable and the vapors are explosive. Never fuel machine indoors or while the engine is hot or running.

Oil

1. Remove oil fill dipstick.
2. Check the oil level making certain not to rub the dipstick along the inside walls of the oil fill tube. This would result in a false dipstick reading. Refill to the FULL mark on the dipstick, if necessary. Replace the dipstick and tighten.
3. If necessary, with the log splitter on level ground, use a funnel to fill engine with oil to the FULL mark on the dipstick. Be careful not to overfill. Overfilling will cause the engine to smoke profusely and will result in poor engine performance.
4. Check the oil level three times prior to starting the engine to be certain you've gotten an accurate dipstick reading. Running the engine with too little oil can result in permanent engine damage.

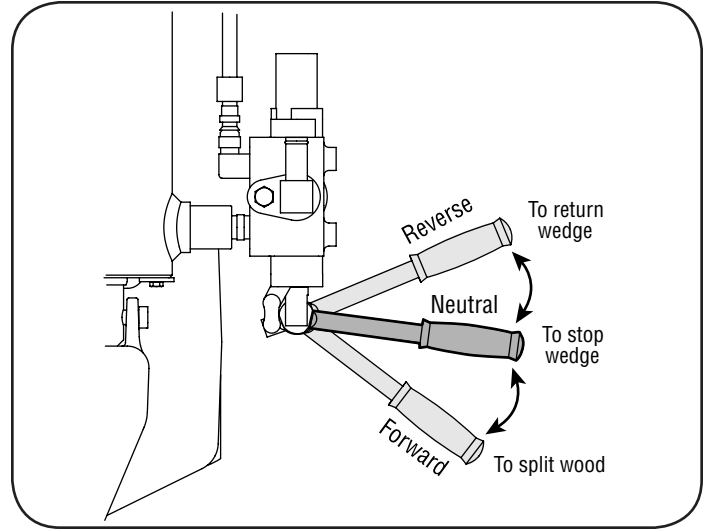


Figure 4-2

Gasoline

1. Remove the fuel cap from the fuel tank.
2. Make sure the container from which you will pour the gasoline is clean and free from rust or foreign particles. Never use gasoline that may be stale from long periods of storage in its container. Gasoline that has been sitting for any period longer than four weeks should be considered stale.
3. Fill the fuel tank with about 1.5 quarts of clean, fresh gasoline with a minimum of 85 octane.

NOTE: Gasoline can be added to the engine when the log splitter is in either the horizontal or vertical position. However, there are less obstructions when the beam is in the vertical position.

NOTE: Do not use gasoline containing methanol. Gasoline containing up to about 10% ethanol or up to 15% methyl tertiary butyl ether (MTBE) may be used, but will require special care when the engine is left unused for an extended period.

4. Replace the fuel cap.

NOTE: To avoid engine problems, the fuel system should be emptied before storage for 30 days or longer. Drain the gas tank, start the engine and let it run until the fuel lines and carburetor are empty. Use fresh fuel the next season. See the STORAGE section for additional information.

STOPPING ENGINE

1. Push the stop switch to OFF.
2. Disconnect the spark plug wire and ground it against the engine to prevent unintended starting.

OPERATION

STARTING ENGINE

1. Attach the spark plug wire to the spark plug. Make certain the metal cap on the end of the spark plug is fastened securely over the metal tip on the spark plug.
2. Push the stop switch to ON.
3. Move the choke control to the CHOKE position.
4. Grasp the starter handle and pull the rope out slowly until the engine reaches its start of compression cycle (rope will pull slightly harder at this point).
5. Pull the rope with a rapid, continuous, full arm stroke. Keep a firm grip on the starter handle. Let the rope rewind slowly.
6. Repeat, if necessary, until the engine starts. Slowly adjust the choke toward the RUN position. Wait until the engine runs smoothly before each choke adjustment.
7. If the engine falters, move the control lever to the CHOKE position, then slowly back to the RUN position.
8. If weather is cold, run the wedge up or down the beam 6 to 8 times to circulate the hydraulic fluid.

⚠ WARNING

When starting a warm engine, the muffler and surrounding areas are hot and can cause a burn. Do not touch these areas.

USING THE LOG SPLITTER

1. Place the log splitter on dry, level ground.
2. Place the beam in either the horizontal or vertical position and lock it in place with the appropriate locking rod.
3. Block the front and back of both wheels.
4. Place the log against the end plate and only split wood in the direction of the grain.
5. To stabilize the log, place your hand only on the sides of the log. **Never place your hand on the end between the log and the splitting wedge.**
6. Only one adult should stabilize the log and operate the control handle, so the operator has full control over the log and the splitting wedge.

Control Handle

1. Move the control handle FORWARD or DOWN to split wood.

2. Release the control handle to stop the wedge movement.
3. Move the control handle BACK or UP to return the wedge.

Log Dislodger

The log dislodger is designed to remove any partially split wood from the wedge. This may occur while splitting large diameter wood or freshly cut wood.

⚠ WARNING

Never remove partially split wood from the wedge with your hands. Fingers may become trapped between the split wood.

1. To remove partially split wood from the wedge, move the control handle to the REVERSE position until the wedge is fully retracted to allow the split wood portion to contact the log dislodger.
2. Once removed from the wedge with the log dislodger, split the wood from the opposite end or in another location.

Vertical Position

1. Pull the horizontal beam lock out to release the beam and pivot the beam to the vertical position.
2. To lock the beam in the vertical position, pull out on the vertical beam lock and rotate it to secure the beam. See Figure 4-1.
3. Stand in front of the log splitter to operate the control handle and to stabilize the log. See Figure 4-3.

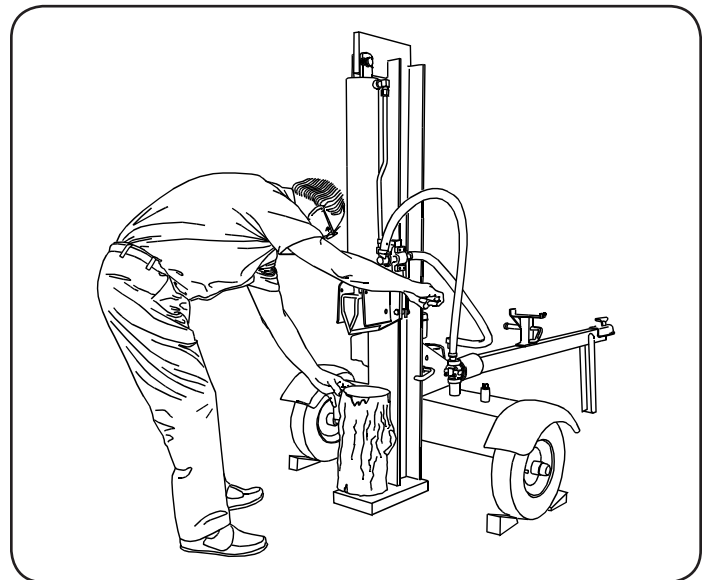


Figure 4-3

Horizontal Position

1. Pull the vertical beam lock out and rotate it down. See Figure 4-1. Pivot the beam to the horizontal position. The beam will lock automatically in the horizontal position.

OPERATION

- Stand behind the reservoir tank to operate the control handle and to stabilize the log. See Figure 4-4.

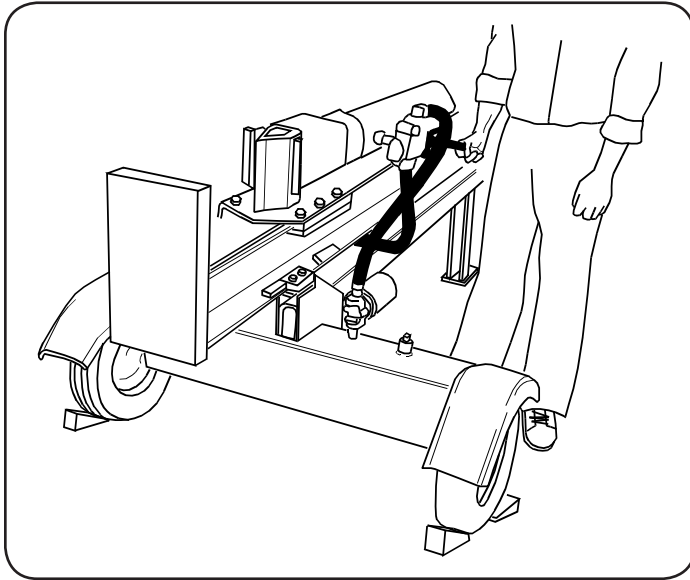


Figure 4-4

Operating Tips

Always:

- Use clean fluid and check the fluid level regularly.
- Use an approved hydraulic fluid. Approved fluids include Dexron® III / Mercon® automatic transmission fluid or a 10 Weight AW hydraulic oil.
- Use a filter (clean or replace regularly).
- Use a breather cap on the fluid reservoir.
- Make sure the pump is mounted and aligned properly.
- Use a flexible “spider” type coupling between the engine and pump drive shafts.
- Keep the hoses clear and unblocked.
- Bleed the air out of the hoses before operating.
- Flush and clean the hydraulic system before restarting after servicing.
- Use “pipe dope” on all hydraulic fittings.
- Allow time for the engine to warm-up before splitting wood.
- Prime the pump before the initial start-up by turning over the engine with spark plug disconnected.
- Split the wood along the grain (lengthwise) only.

Never:

- Use when fluid is below 20° F or above 150° F.
- Use a solid engine /pump coupling.
- Operate through the relief valve for long.
- Attempt to adjust unloading or relief valve settings without pressure gauges.
- Operate with air in the hydraulic system.
- Use teflon tape on the hydraulic fittings.

- Attempt to cut wood across the grain.
- Attempt to remove partially split wood from the wedge with your hands. Fully retract the wedge to dislodge the wood with the log dislodger.

TRANSPORTING THE LOG SPLITTER

IMPORTANT: Always turn the fuel valve to the OFF position before transporting the log splitter.

- Lower the beam to its horizontal position. Make certain the beam is locked securely with the horizontal beam lock.
- Remove spring clip and clevis pin from jack stand.
- Support the tongue and pivot the jack stand up against the tongue. See Figure 4-5.

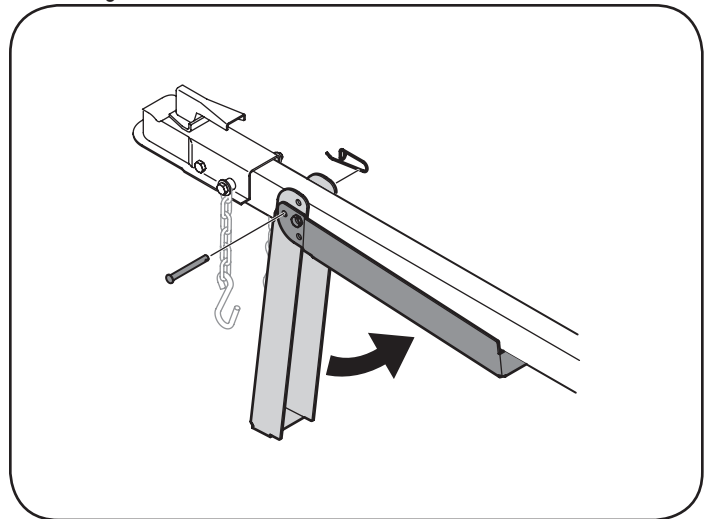


Figure 4-5

- Secure the jack with the spring clip and clevis pin previously removed. See Figure 4-5.
- Attach the coupler hitch to a class I or higher 2” ball on a towing vehicle. Latch securely.
 - If the coupler hitch does not fit on the ball:** Turn the adjustment nut one turn counter-clockwise.
 - If the coupler hitch is too loose on the ball:** Turn the adjustment nut one turn clockwise.
- Connect the safety chains to the towing vehicle.
- Plug in the tail lights, if so equipped, to the tail light connector on the tow vehicle.

⚠ WARNING

Do not tow faster than 45 mph and check local, state, and federal requirements before towing on any public road.

NOTE: Use caution when backing up. Using a spotter outside of the vehicle is recommended.

SERVICE & ADJUSTMENTS

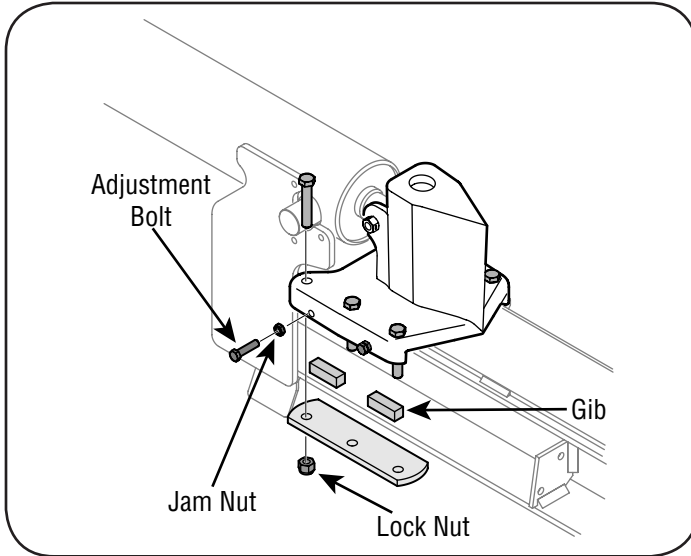


Figure 5-1

GIB ADJUSTMENT

Periodically remove and replace the “gibs” (spacers) between the wedge assembly and the back plate.

NOTE: The gibs may be rotated and/or turned over for even wear.

1. Loosen the lock nuts under each back plate and slide the gibs out. See Figure 5-1.
2. Turn or replace the gibs.
3. Reassemble the back plate and secure with the lock nuts.
4. Readjust the bolts on the side of the wedge assembly.

HOSE CLAMPS

- Before each use check to see if the hose clamps on the suction hose (attached to the side of the pump) are tight. Check the hose clamps on the return hose at least once a season.

⚠ WARNING

Do not at any time make any adjustments without first stopping the engine, disconnecting spark plug wire and grounding it against the engine. Always wear safety glasses during operation or while performing any adjustments or repairs.

WEDGE ASSEMBLY ADJUSTMENT

As normal wear occurs and there is excessive “play” between the wedge and beam, adjust the bolts on the side of the wedge assembly to eliminate excess space between the wedge and the beam.

1. Loosen the jam nuts on the two adjustment bolts on the side of the wedge. See Figure 5-1.
2. Turn the adjustment bolts in until snug and then back them off slowly (approximately 1.5 turns) until the wedge assembly will slide on the beam.
3. Re-tighten the jam nuts securely against the side of the wedge to secure the adjustment bolts in this position.

SERVICE & ADJUSTMENTS

FLEXIBLE PUMP COUPLER

The flexible pump coupler is a nylon “spider” insert, located between the pump and the engine shaft. Over time, the coupler will harden and deteriorate.

Replace the coupler if you detect vibration or noise coming from the area between the engine and the pump. If the coupler fails completely, you will experience a loss of power.

IMPORTANT: Never hit the engine shaft in any manner, as a blow will cause permanent damage to the engine.

1. Remove the three nuts that secure the pump to the coupling shield. Two nuts are at the bottom corners and one is in the top center. See Figure 5-2.
2. Remove the pump.
3. Rotate the engine by slowly pulling the starter handle until the engine coupling half set screw is visible. Loosen the set screw using allen wrench and slide the coupling half off the engine shaft.
4. Loosen the set screw on the pump coupling half and remove the coupling half.
5. Slide the new engine coupling half onto the engine shaft until the end of the shaft is flush with the inner portion of the coupling half. (There must be space between the end of the engine support bracket and coupling half). Tighten the set screw.
6. Install the pump coupling half and key on the pump shaft. Rotate the coupling half until the set screw faces the opening in the shield. Do not tighten the set screw.
7. Install the nylon “spider” onto the engine coupling half.
8. Align the pump coupling half with the nylon “spider” by rotating the engine using the starter handle. Slide the coupling half into place while guiding three mounting bolts through holes in pump support bracket.
9. Secure with the nuts removed earlier.
10. Set .010” to .060” clearance/gap between the nylon “spider” and the engine coupling half by sliding a feeler gauge or matchbook cover between the nylon “spider” and the engine coupling half and moving pump coupling half as needed. Secure pump coupling half with set screw. See Figure 5-2.

NOTE: Make certain the proper clearance/gap is obtained before

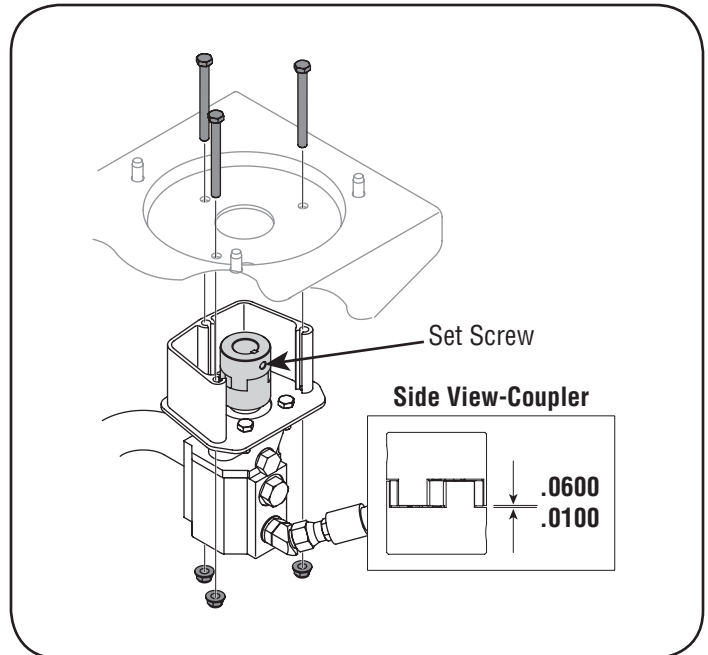


Figure 5-2

tightening the set screw.

TIRES

The maximum pressure for the tires is 30 psi. Do not exceed the manufacturer's recommended psi under any circumstances. Maintain equal pressure on all tires.

⚠ WARNING

Excessive pressure when seating beads may cause the tire/rim assembly to burst with force sufficient to cause serious injury. Refer to sidewall of the tire for the recommended pressure.

MAINTENANCE

Maintenance Schedule

TASKS	Before Each Use	First 5 Hours	Every 25 Hours	Every 50 Hours	Every 100 Hours	SERVICE DATES
Lubricate Beam & Wedge	✓					
Change Hydraulic Fluid					✓	
Change Hydraulic Filter				✓		
Clean Reservoir Screen					✓	
Check Reservoir Fluid	✓					
Check Engine Oil	✓					
Change Engine Oil		✓	✓			
Service Air Cleaner				✓		
Service Spark Plug				✓		
Clean Engine	✓					

Figure 5-1

WARNING

Do not at any time make any adjustments without first stopping the engine, disconnecting the spark plug wire and grounding it against the engine. Always wear safety glasses during operation or while performing any adjustments or repairs.

GENERAL RECOMMENDATIONS

1. Always observe the safety rules when performing any maintenance.
2. The warranty on this log splitter does not cover items that have been subjected to operator abuse or negligence. To receive full value from the warranty, the operator must maintain the equipment as instructed in this manual.
3. Some adjustments will need to be made periodically to maintain your equipment properly.
4. Follow the maintenance schedule (Figure 5-1).
5. Periodically check all fasteners and make sure they are tight.

MAINTENANCE

HYDRAULIC FLUID AND INLET FILTER

- Check the hydraulic fluid level in the log splitter reservoir tank before each use. Maintain the fluid level within the range specified on the dipstick at all times.
- Change the hydraulic fluid in the reservoir every 100 hours of operation. Follow the steps below:
 1. Disconnect the suction hose from the bottom of the reservoir tank.
 2. Carefully unthread the inlet filter and clean it with penetrating oil. See Figure 5-2.
 3. Allow the fluid to drain into a suitable container.
 4. Reinsert the filter and refill the reservoir with three (3) gallons of oil. Approved fluids include Dexron® III / Mercon® automatic transmission fluid or a 10 Weight AW hydraulic oil.
- Maintain the fluid level within the range specified on the dipstick at all times.

NOTE: Always dispose of used hydraulic fluid and engine oil at approved recycling centers only.

- Contaminants in fluid may damage the hydraulic components. Flushing the reservoir tank and hoses with kerosene whenever service is performed on the tank, hydraulic pump or valve is recommended. Any repair to the hydraulic components should be performed by a Sears Service Center.

⚠ WARNING

USE EXTREME CAUTION WHEN WORKING WITH KEROSENE. IT IS AN EXTREMELY FLAMMABLE FLUID.

Hydraulic Filter

- Change the hydraulic filter every 50 hours of operation. Use only a 10 micron hydraulic filter. Order part number 723-0405.

BEAM AND SPLITTING WEDGE

- Before each use, lubricate both sides of the beam (where it comes into contact with the splitting wedge) with engine oil. The wedge plate on the log splitter is designed so the gibs on the side of the wedge plate can be removed and rotated and/or turned over for even wear.
- Make certain to readjust the adjustment bolts so the wedge moves freely, but no excess space exists between the wedge plate and the beam.

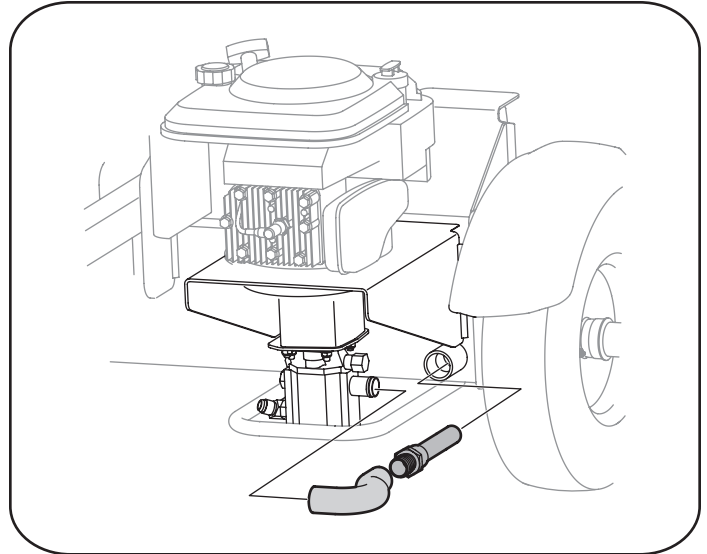


Figure 5-2

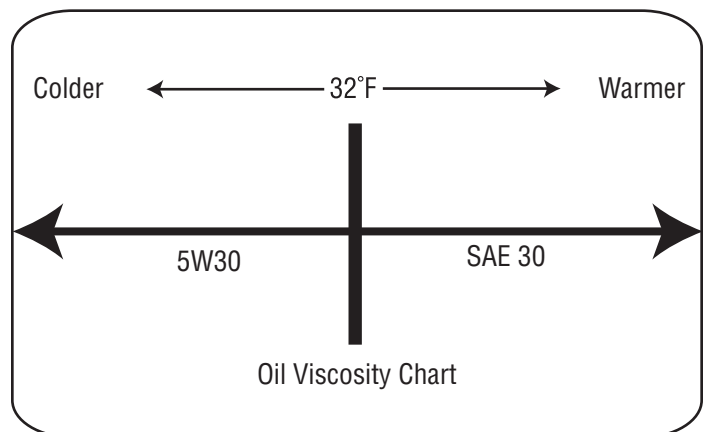
ENGINE

Check Engine Oil

1. Stop the engine and wait several minutes before checking the oil level.
2. Remove the oil fill dipstick.
3. Check the oil level on the dipstick. With the engine on level ground, the oil must be to the FULL mark on the dipstick.
4. Replace the dipstick and tighten.

Changing Engine Oil

Only use high quality detergent oil rated with API service classification SF, SG, or SH. Select the oil's SAE viscosity grade according to the expected operating temperature. Follow the chart below:



MAINTENANCE

NOTE: Although multi-viscosity oils (5W30, 10W30, etc.) improve starting in cold weather, they will result in increased oil consumption when used above 32°F. Check your engine oil level more frequently to avoid possible engine damage from running low on oil. Change the engine oil after the first five hours of operation, and every 50 hours thereafter. Change the oil every 25 hours of operation if the engine is operated under heavy load or in high ambient temperatures.

To Drain Oil

Drain the oil while the engine is warm. Follow the instructions given below.

1. Remove the drain plug on the engine and drain the oil into a suitable container.
2. When the engine is drained of all oil, replace the drain plug and refill with approximately 20 oz. of fresh oil. Refer to Gas And Oil Fill-up in the OPERATION section.

Service Air Cleaner

The air cleaner prevents damaging dirt, dust, etc., from entering the carburetor and being forced into the engine and is important to engine life and performance.

⚠ WARNING

Never run the engine without an air cleaner completely assembled.

Service the cartridge every 25 operating hours or every season. Service the cartridge more often under dusty conditions.

To Service Air Filter

1. Loosen the air cleaner cover screw, but do not remove the screw from the cover. Swing the cover down to remove from the hinge.
2. Inspect the filter for discoloration or dirt accumulation. If either is present, proceed as follows:
 - a. Clean the inside of body and cover thoroughly and remove the cartridge.
 - b. Reassemble the new cartridge in the body. Swing the cover down and tighten the screw loosened earlier.

⚠ WARNING

Temperature of muffler and nearby areas may exceed 150° F(65°C). Avoid these areas.

Service Spark Plug

- Clean the spark plug and reset the gap to .030" at least once a

season or every 50 hours of operation.

- Clean the area around the spark plug. Remove and inspect the spark plug.
- Replace the spark plug if the electrodes are pitted, burned or the porcelain is cracked.
- Check the electrode gap with a wire feeler gauge and reset the gap to .030 inches. See Figure 5-3.

NOTE: Do not sand the spark plug. The spark plug should be cleaned with a wire brush and a commercial solvent.

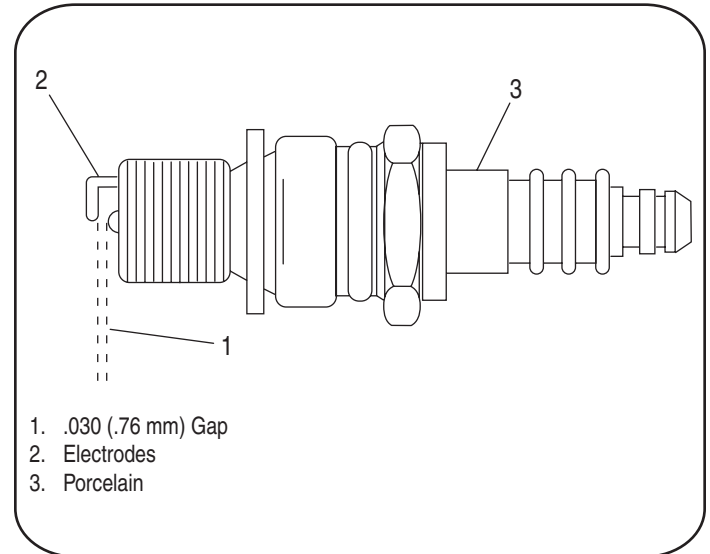


Figure 5-3

Clean Engine

- Clean the engine periodically, by removing dirt and debris with a cloth or brush.

NOTE: Cleaning with a forceful spray of water is not recommended as water could contaminate the fuel system.

- To ensure smooth operation of the engine, keep the governor linkage, springs and controls free of debris.
- Every 100 hours of operation, remove combustion deposits from top of cylinder, head, top of piston and around valves.

OFF-SEASON STORAGE

Prepare your log splitter for storage at the end of the season or if the log splitter will not be used for 30 days or more.

WARNING

WARNING: Never store the machine with fuel in the fuel tank inside of building where fumes may reach an open flame or spark or where ignition sources are present such as hot water and space heaters, furnaces, clothes dyers, stoves, electric motors, etc.

NOTE: A yearly check-up by your local Sears service center is a good way to ensure your log splitter will provide the maximum performance next season.

LOG SPLITTER

1. Clean the log splitter thoroughly.
2. Wipe the log splitter with an oiled rag to prevent rust, especially on the wedge and the beam.

ENGINE

IMPORTANT: It is important to prevent gum deposits from forming in the essential fuel system parts such as the carburetor, fuel filter, fuel hose or tank during storage. Also, alcohol blended fuels (called gasohol or using ethanol or methanol) can attract moisture which leads to separation and formation of acids during storage. Acidic gas can damage the fuel system of an engine while in storage.

1. Drain the fuel tank. Always drain the fuel into an approved container outdoors away from open flame. Be sure the engine is cool. Do not smoke while handling the fuel.
2. Start the engine and let it run until the fuel lines and carburetor are empty.

IMPORTANT: Never use engine or carburetor cleaner products in the fuel tank or permanent damage may occur. Use fresh fuel next season.

3. Remove the spark plug, pour approximately ½ oz. of engine oil into cylinder and crank it slowly to distribute the oil.
4. Replace the spark plug.

NOTE: Fuel stabilizer is an acceptable alternative in minimizing the formation of fuel gum deposits during storage.

Please follow the instructions below for storing your log splitter with fuel and stabilizer in the engine:

1. Add stabilizer to the gasoline in the fuel tank or storage container. Always follow the mix ratio found on the stabilizer container.
2. Run the engine at least 10 minutes after adding stabilizer to allow the stabilizer to reach the carburetor.

IMPORTANT: Do not drain the gas tank and carburetor if using fuel stabilizer. Drain all the oil from the crankcase (this should be done after the engine has been operated and is still warm) and refill the crankcase with fresh oil.

OTHER

- Do not store the gasoline from one season to another.
- Replace your gasoline can if it starts to rust.
- Store the log splitter in a clean, dry area. Do not store it next to any corrosive materials, such as fertilizer.
- Wipe the equipment with an oiled rag to prevent rust.

TROUBLESHOOTING

Problem	Cause	Remedy
Engine fails to start	<ol style="list-style-type: none"> 1. Spark plug wire disconnected. 2. Fuel tank empty or stale fuel. 3. Choke lever not in CHOKE position. 4. Faulty spark plug. 5. Blocked fuel line. 6. Dirty air cleaner. 	<ol style="list-style-type: none"> 1. Connect wire to spark plug. 2. Fill tank with clean, fresh gasoline. 3. Move choke to CHOKE position. 4. Service spark plug following instructions in the maintenance section. 5. Clean fuel line. 6. Service air cleaner following instructions in the maintenance section.
Engine runs erratic	<ol style="list-style-type: none"> 1. Unit running with CHOKE applied, if so equipped. 2. Spark plug wire loose. 3. Blocked fuel line or stale fuel. 4. Water or dirt in fuel system. 5. Dirty air cleaner. 6. Carburetor not adjusted properly. 	<ol style="list-style-type: none"> 1. Move choke lever to RUN position. 2. Connect and tighten spark plug wire. 3. Clean fuel line; fill tank with clean, fresh (less than 30 days old) gasoline. 4. Drain fuel tank. Refill with fresh fuel. 5. Clean or replace air cleaner. 6. Contact Sears service center.
Engine Overheats	<ol style="list-style-type: none"> 1. Engine oil level low. 2. Dirty air cleaner. 3. Carburetor not adjusted properly. 	<ol style="list-style-type: none"> 1. Fill crankcase with proper oil. 2. Service air cleaner following instructions in the maintenance section. 3. Contact Sears service center.

NEED MORE HELP?

You'll find the answer and more on managemyhome.com – for free!

- Find this and all your other product manuals online.
- Get answers from our team of home experts.
- Get a personalized maintenance plan for your home.
- Find information and tools to help with home projects.

manage my home

brought to you by Sears

NOTE: This section addresses minor service issues. For further details, contact Sears service information line by calling 1-800-4-MY-HOME.

TROUBLESHOOTING

Problem	Cause	Remedy
Cylinder rod will not move	<ol style="list-style-type: none"> 1. Broken drive shaft. 2. Shipping plugs left in hydraulic hoses. 3. Set screws in coupling not adjusted properly. 4. Loose shaft coupling. 5. Gear sections damaged. 6. Damaged relief valve. 7. Hydraulic lines blocked. 8. Incorrect oil level. 9. Damaged or blocked directional valve. 	<ol style="list-style-type: none"> 1. Return unit to Sears service center. 2. Disconnect hydraulic hoses, remove shipping plugs, reconnect hoses. 3. See operator's manual for correct adjustment. 4. Correct engine/pump alignment as necessary. 5. Return unit to Sears service center. 6. Return unit to Sears service center. 7. Flush and clean hydraulic system. 8. Check oil level. Refill if necessary. 9. Return unit to Sears service center.
Slow cylinder shaft speed while extending and retracting.	<ol style="list-style-type: none"> 1. Gear sections damaged. 2. Excessive pump inlet vacuum. 3. Slow engine speed. 4. Damaged relief valve. 5. Incorrect oil level. 6. Contaminated oil. 7. Directional valve leaking internally. 8. Internally damaged cylinder. 	<ol style="list-style-type: none"> 1. Return unit to Sears service center. 2. Make certain pump inlet hoses are clear and unblocked. Use short, large diameter inlet hoses. 3. Return unit to Sears service center. 4. Return unit to Sears service center. 5. Check oil level. Refill if necessary. 6. Drain oil, clean reservoir, and refill. 7. Return unit to Sears service center. 8. Return unit to Sears service center.
Leaking Cylinder	<ol style="list-style-type: none"> 1. Broken seals. 2. Scored cylinder. 	<ol style="list-style-type: none"> 1. Return unit to Sears service center. 2. Return unit to Sears service center.

NEED MORE HELP?

You'll find the answer and more on managemyhome.com – for free!

- Find this and all your other product manuals online.
- Get answers from our team of home experts.
- Get a personalized maintenance plan for your home.
- Find information and tools to help with home projects.

manage my home

brought to you by Sears

NOTE: This section addresses minor service issues. For further details, contact Sears service information line by calling 1-800-4-MY-HOME.

TROUBLESHOOTING

Problem	Cause	Remedy
<p>Engine runs but wood will not split or wood splits too slowly</p> <p>Engine stalls during splitting</p>	<ol style="list-style-type: none"> 1. Small gear section damaged. 2. Pump check valve leaking. 3. Excessive pump inlet vacuum. 4. Incorrect oil level. 5. Contaminated oil. 6. Directional valve leaking internally. 7. Overloaded cylinder. 8. Internally damaged cylinder. 1. Low horsepower/weak engine. 2. Overloaded cylinder. 	<ol style="list-style-type: none"> 1. Return unit to Sears service center. 2. Return unit to Sears service center. 3. Make certain pump inlet hoses are clear and unblocked. Use short, large diameter inlet hoses. 4. Check oil level. Refill if necessary. 5. Drain oil, clean reservoir, and refill. 6. Return unit to Sears service center. 7. Do not attempt to split wood against the grain. 8. Return unit to Sears service center. 1. Return unit to Sears service center. 2. Do not attempt to split wood against the grain. If engine stalls repeatedly, contact Sears service center.
Engine will not turn or stalls under low load conditions	<ol style="list-style-type: none"> 1. Engine/pump misalignment. 2. Frozen or seized pump. 3. Low horsepower/weak engine. 4. Hydraulic lines blocked. 5. Blocked directional valve. 	<ol style="list-style-type: none"> 1. Correct alignment as necessary. 2. Return unit to Sears service center. 3. Return unit to Sears service center. 4. Flush and clean hydraulic system. 5. Return unit to Sears service center.
Leaking pump shaft seal	<ol style="list-style-type: none"> 1. Broken drive shaft. 2. Engine/pump misalignment. 3. Gear sections damaged. 4. Poorly positioned shaft seal. 5. Plugged oil breather. 	<ol style="list-style-type: none"> 1. Return unit to Sears service center. 2. Correct alignment as necessary. 3. Return unit to Sears service center. 4. Return unit to Sears service center. 5. Make certain reservoir is properly vented.
Will not split logs	<ol style="list-style-type: none"> 1. Reservoir fluid level low. 	<ol style="list-style-type: none"> 1. Refill with Dexron III automatic transmission fluid.

NEED MORE HELP?

You'll find the answer and more on managemyhome.com – for free!

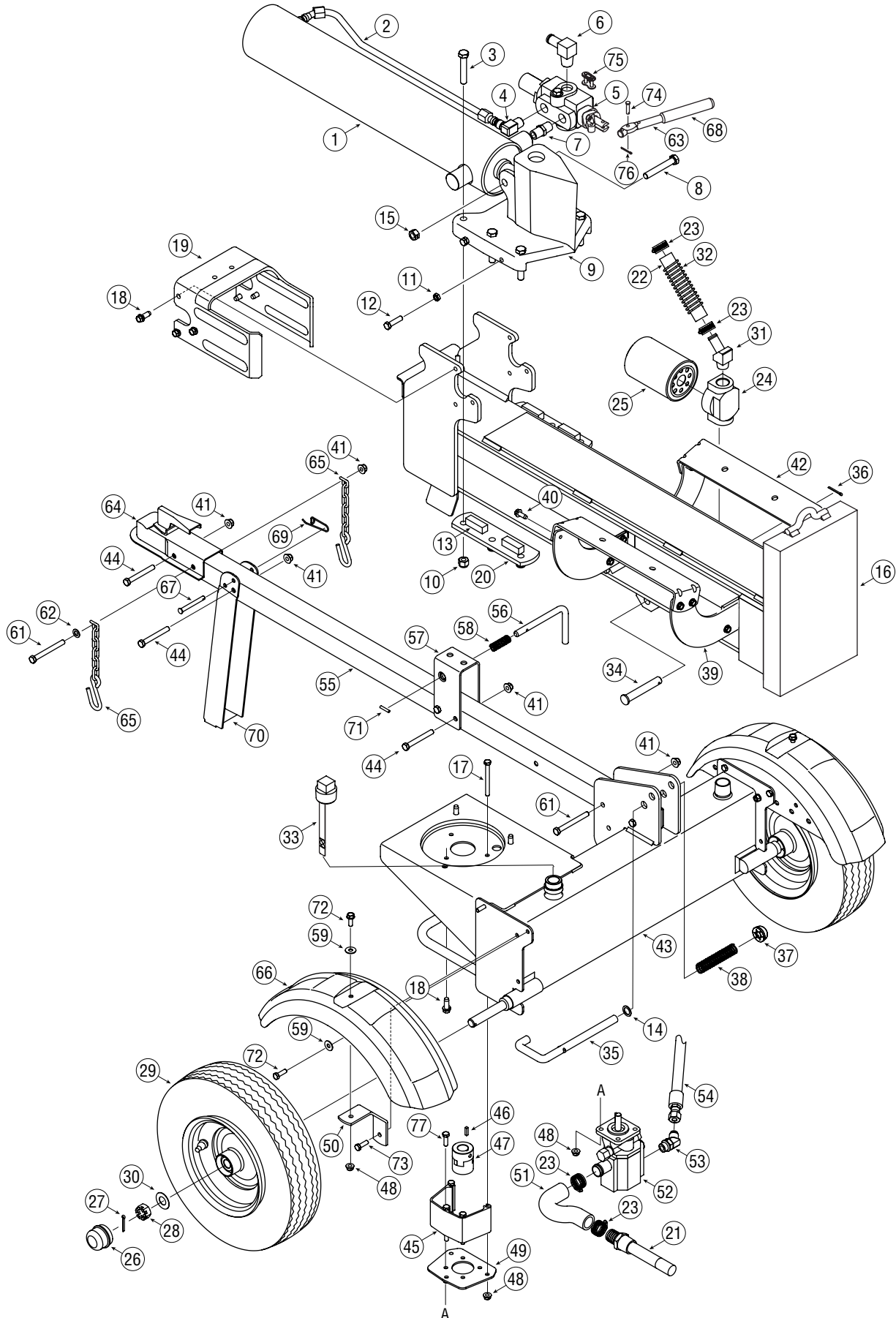
- Find this and all your other product manuals online.
- Get answers from our team of home experts.
- Get a personalized maintenance plan for your home.
- Find information and tools to help with home projects.

manage my home

brought to you by Sears

NOTE: This section addresses minor service issues. For further details, contact Sears service information line by calling 1-800-4-MY-HOME.

PARTS LIST



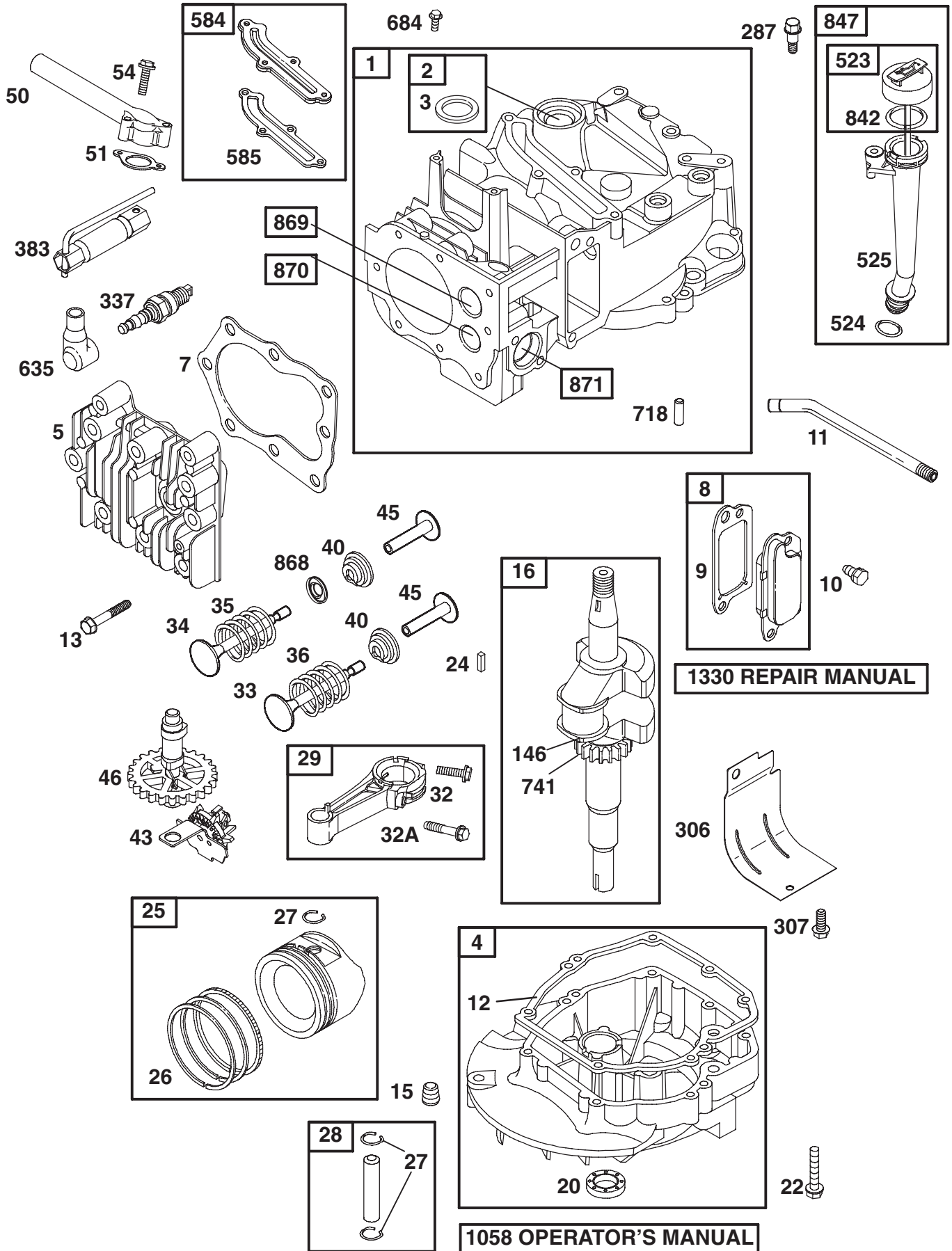
Craftsman Log Splitter Model 247.77641

Ref. No.	Part No.	Description
1.	718-0769A	Hydraulic Cylinder
2.	727-04166	Hydraulic Tube
3.	710-1018	Hex Cap Screw 1/2-20 x 2.75
4.	737-0192	90 Degree Solid Adapter
5.	718-0481A	Control Valve
6.	737-0153	Return Elbow
7.	737-0238	Nipple Pipe 1/2-14
8.	710-1806	Hex Cap Screw 1/2-13 x 3.25
9.	719-0550A	Wedge Assembly
10.	712-3058	Hex Lock Nut, 1/2-20
11.	712-0711	Hex Jam Nut 3/8-24
12.	710-0459A	Hex Cap Screw 3/8-24 x 1.5
13.	781-0351	Adjustable Gib
14.	736-0116	Flat Washer.635 x.93 x.06
15.	712-3022	Hex Lock Nut 1/2-13
16.	681-04071A	Beam Assembly
17.	710-3056	Hex Screw, 5/16-18 x 3.25
18.	710-0654A	Hex Washer Screw 3/8-16 x 1.0
19.	781-1048A	Dislodger Bracket
20.	781-0790	Back Plate
21.	737-04093	Inlet Filter
22.	727-0443	Return Hose 3/4" ID x 44" Lg.
23.	726-0132	Hose Clamp 5/8"
24.	737-0316	Filter Housing
25.	723-0405	Oil Filter
26.	734-0873	Hub Cap
27.	714-0162	Cotter Pin
28.	712-0359	Slotted Nut 3/4-16
29.	634-0186	Wheel Assembly
30.	736-0351	Flat Washer.760 ID x.500 OD
31.	737-0312	Adapter 3/4-14
32.	781-0526A	Hose Guard
33.	737-0348A	Vented Dipstick
34.	711-1587	Clevis Pin
35.	781-0690	Lock Rod
36.	714-0470	Cotter Pin
37.	726-0214	Push Cap
38.	732-0583	Compression Spring
39.	781-04180	Log Tray Bracket
40.	710-4484	Hex Washer Screw, 5/16-18 x .750

Ref. No.	Part No.	Description
41.	712-04065	Flange Lock Nut, 3/8-16
42.	781-04179	Log Tray
43.	681-04040A	Frame Assembly
44.	710-0521	Hex Bolt 3/8-16 x 3"
45.	719-0353	Coupling Shield
46.	714-0122	Square Key 3/16" x.75
47.	710-1842	Screw, 1/4-20 x .38
—	718-04392	Coupling, .500
—	718-04395	Coupling, .875
—	735-04103	Spider Coupling
48.	712-04063	Flange Lock Nut, 5/16-18
49.	781-0097	Rear Coupling Support Bracket
50.	781-1024	Fender Mounting Bracket
51.	727-04130	Hose
52.	718-04127	Gear Pump
53.	737-0329	45 Degree Elbow Fitting
54.	727-0502	High Pressure Hydraulic Hose
55.	781-0788	Tongue Assembly
56.	747-1261	Latch Rod
57.	781-1045	Latch
58.	732-3127	Compression Spring
59.	736-0371	Flat Washer
60.	781-0538A†	Hose Guard
61.	710-3085	Hex Cap Screw, 3/8-16 x 3.50
62.	736-0185	Flat Washer,.375 x.738 x.063
63.	747-04539	Hydraulic Valve Control
64.	681-04030	Hitch Coupling Assembly
65.	713-0433A	Chain
66.	731-2496A	Fender
67.	711-0813	Clevis Pin
68.	720-04088	Grip
69.	732-0194	Spring Pin
70.	781-0789	Jack Stand
71.	715-0120	Spiral Pin
72.	710-0650	TT Screw, 5/16-18 x 0.875"
73.	710-0602	TT Screw, 5/16-18 x 1.00
74.	711-04585	Clevis Pin
75.	713-04036	Valve Handle Link
76.	714-0111	Cotter Pin
77.	710-0376	Hex Screw, 5/16-18 x 1.00

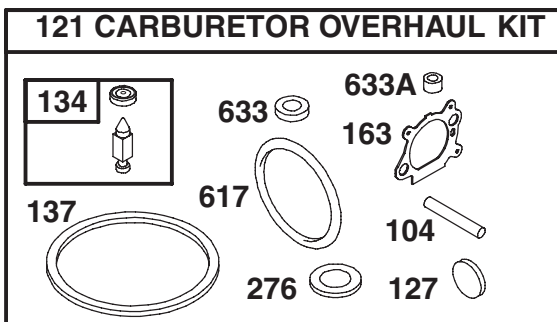
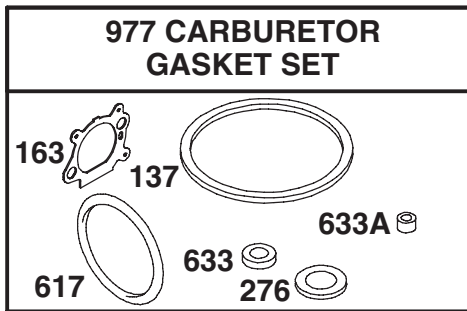
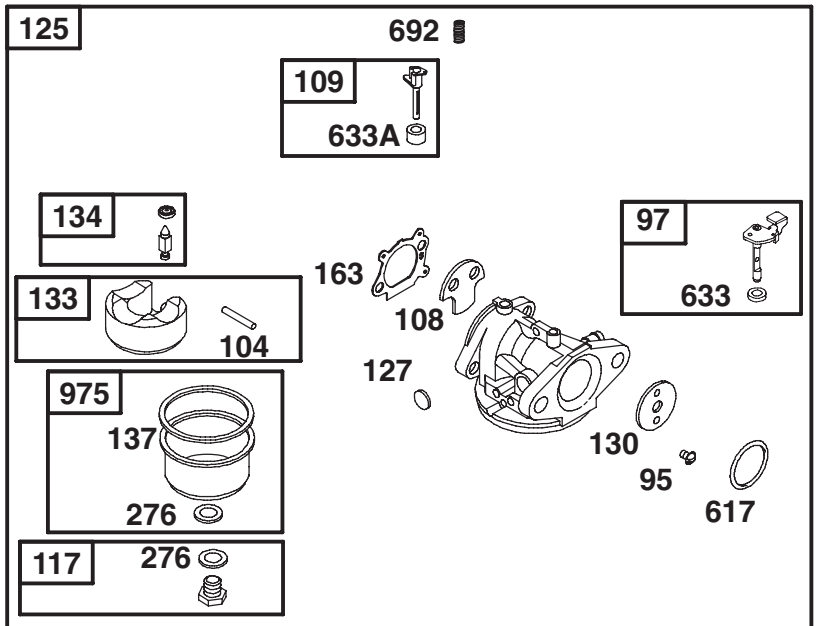
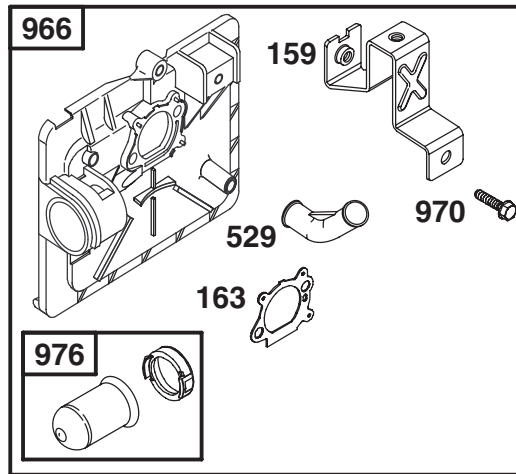
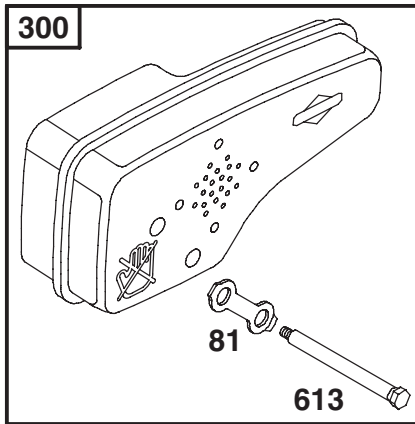
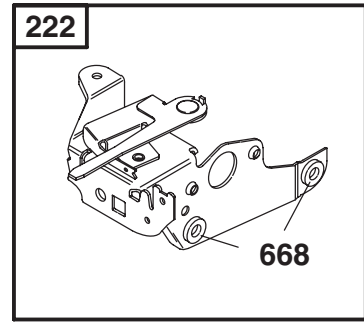
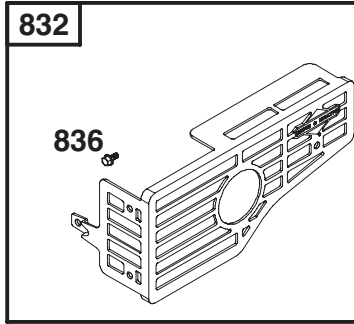
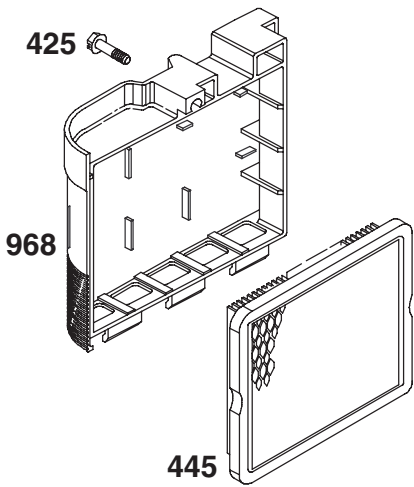
† Not Shown

PARTS LIST

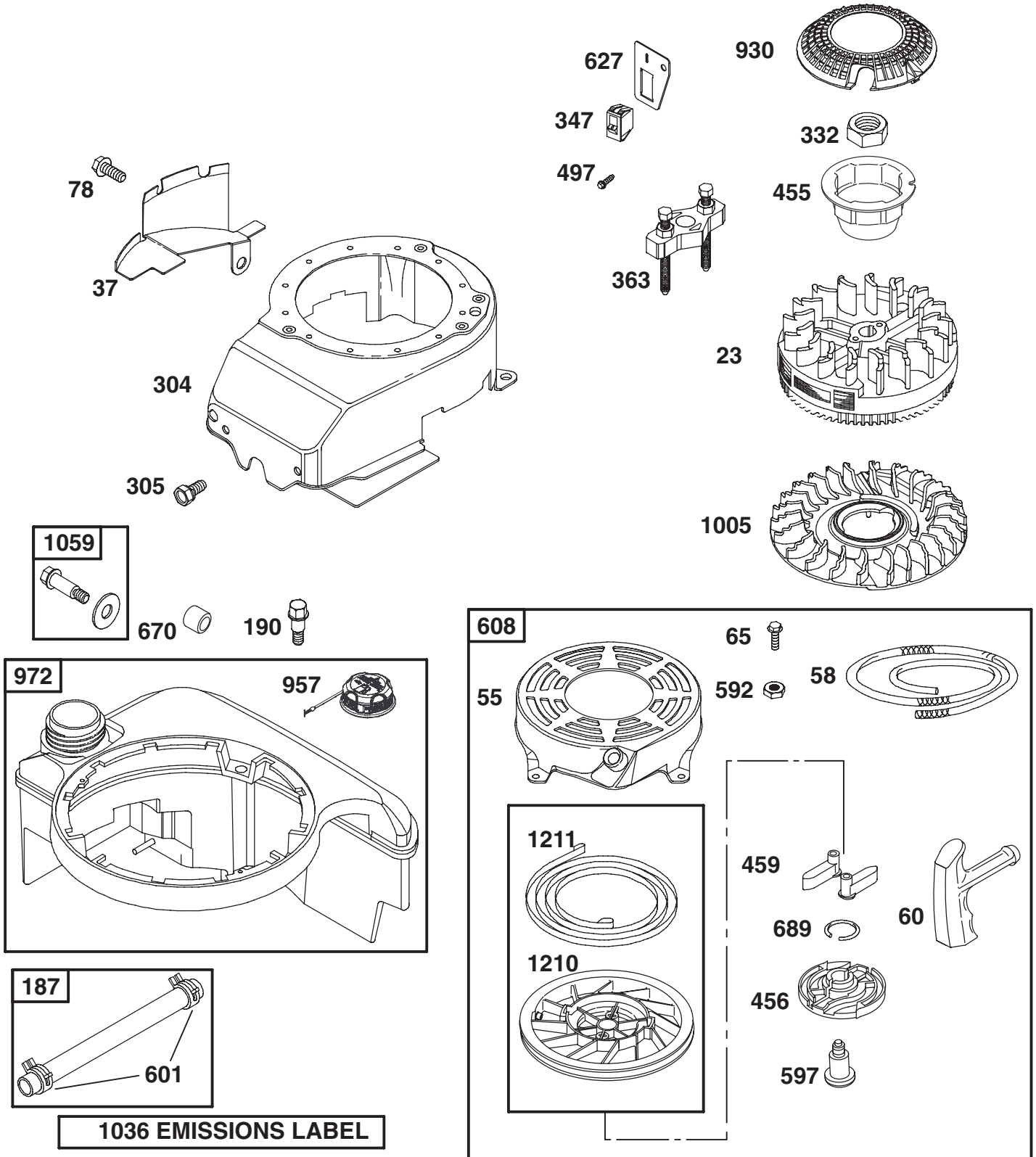


Craftsman Engine Model No. 126L02

For Log Splitter Model 247.77641

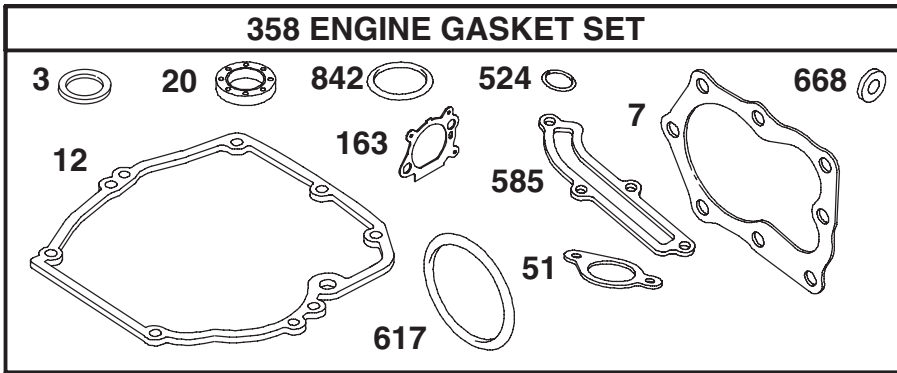


PARTS LIST

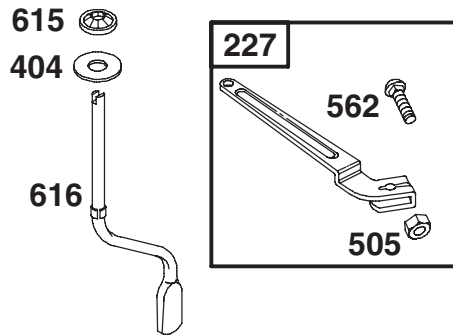
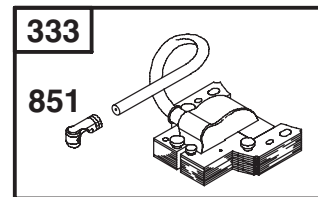
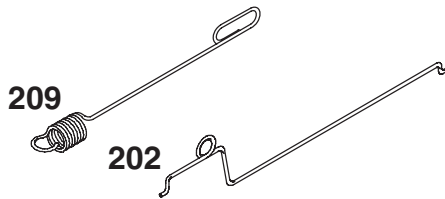
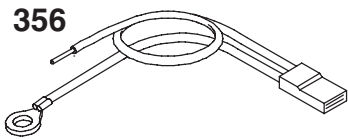
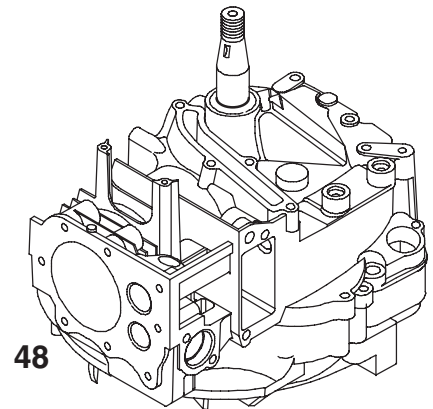


Craftsman Engine Model No. 126L02

For Log Splitter Model 247.77641



1329 REPLACEMENT ENGINE



PARTS LIST

Ref. No.	Part No.	Description
1.	697322	Cylinder Assembly
2.	399269	Kit-Bushing/Seal
3.	299819S†	Seal-Oil (Magneto Side)
4.	493279	Sump-Engine
5.	691160	Head-Cylinder
7.	692249†	Gasket-Cylinder Head
8.	695250	Breather Assembly
9.	699125	Gasket-Breather
10.	691125	Screw (Breather Assembly)
11.	691781	Tube-Breather
12.	692232†	Gasket-Crankcase
13.	690912	Screw (Cylinder Head)
15.	691680	Plug-Oil Drain
16.	691455	Crankshaft
20.	399781†	Seal-Oil (PTO Side)
22.	691092	Screw (Engine Sump)
23.	691992	Flywheel
24.	222698	Key-Flywheel
25.	791097	Piston Assembly (Standard)
	791326	Piston Assembly (.020" Oversize)
26.	791098	Ring Set-Piston (Standard)
	791324	Ring Set-Piston (.020" Oversize)
27.	691866	Lock-Piston Pin
28.	499423	Pin-Piston
29.	499424	Rod-Connecting
32.	691664	Screw (Connecting Rod)
32A.	695759	Screw (Connecting Rod)
33.	262651S	Valve-Exhaust
34.	262652S	Valve-Intake
35.	691270	Spring-Valve (Intake)
36.	691270	Spring-Valve (Exhaust)
37.	694086	Guard-Flywheel
40.	692194	Retainer-Valve
43.	691997	Slinger-Governor/Oil
45.	690548	Tappet-Valve
46.	691449	Camshaft
48.	792740	Short Block
50.	794305	Manifold-Intake
51.	794306†	Gasket-Intake
54.	691650	Screw (Intake Manifold)
55.	691421	Housing-Rewind Starter

Ref. No.	Part No.	Description
58.	697316	Rope-Starter (Cut to Required Length)
60.	281434S	Grip-Starter Rope
65.	690837	Screw (Rewind Starter)
78.	691108	Screw (Flywheel Guard)
81.	691740	Lock-Muffler Screw
95.	691636	Screw (Throttle Valve)
97.	696565	Shaft-Throttle
104.	691242††	Pin-Float Hinge
108.	691182	Valve-Choke
109.	498593	Shaft-Choke
117.	498981	Jet-Main (Standard)
118.	498978	Jet-Main (High Altitude)
121.	498260	Kit-Carburetor Overhaul
125.	792253	Carburetor
127.	694468††	Plug-Welch
130.	696564	Valve-Throttle
133.	398187	Float-Carburetor
134.	398188††	Valve-Needle/Seat
137.	693981††*	Gasket-Float Bowl
163.	272653†††	Gasket-Air Cleaner
187.	791891	Line-Fuel (Cut to Required Length)
188.	693399	Screw (Control Bracket)
190.	690940	Screw (Fuel Tank)
202.	691829	Link-Mechanical Governor
209.	691291	Spring-Governor
222.	692982	Bracket-Control
227.	690783	Control Lever-Governor
240.	298090S	Fuel Filter
276.	271716††*	Sealing Washer
287.	690940	Screw (Dipstick Tube)
300.	692038	Muffler
304.	493294	Housing-Blower
305.	691108	Screw (Blower Housing)
306.	690450	Shield-Cylinder
307.	690345	Screw (Cylinder Shield)
332.	690662	Nut (Flywheel)
333.	802574	Armature-Magneto
334.	691061	Screw (Armature Magneto)
337.	802592S	Plug-Spark
339.	794797	Tube/Connector Assembly

Craftsman Engine Model No. 126L02

For Log Splitter Model 247.77641

Ref. No.	Part No.	Description
347.	691396	Switch-Rocker
356.	693010	Wire-Stop
358.	497316	Engine Gasket Set
363.	19069	Flywheel Puller
365.	692524	Screw (Carburetor)
383.	89838S	Wrench-Spark Plug
404.	690272	Washer (Governor Crank)
425.	690670	Screw (Air Cleaner Cover)
443.	692523	Screw (Air Cleaner Primer Base)
445.	491588S	Filter-Air Cleaner Cartridge
455.	791960	Flywheel Cup
456.	692299	Plate-Pawl Friction
459.	281505S	Pawl-Ratchet
497.	690664	Screw (Stopswitch)
505.	691251	Nut (Governor Control Lever)
523.	499621	Dipstick
524.	692296†	Seal-Dipstick Tube
525.	495265	Tube-Dipstick
529.	691923	Grommet
562.	92613	Bolt (Governor Control Lever)
564.	690351	Screw (Control Cover)
584.	697734	Cover-Breather Passage
585.	691879†	Gasket-Breather Passage
592.	690800	Nut (Rewind Starter)
597.	691696	Screw (Pawl Friction Plate)
601.	791850	Clamp-Hose
604.	794794	Control Cover
608.	497680	Starter-Rewind
613.	691340	Screw (Muffler)
615.	690340	Retainer-Governor Shaft
616.	698801	Crank-Governor
617.	270344†††	Seal-O Ring (Intake Manifold)
627.	792565	Bracket-Stopswitch
633.	691321†† *	Seal-Choke/Throttle Shaft

Ref. No.	Part No.	Description
633A.	693867†† *	Seal-Choke/Throttle Shaft
635.	66538	Boot-Spark Plug
668.	493823	Spacer
670.	692294	Spacer-Fuel Tank
684.	690345	Screw (Breather Passage Cover)
689.	691855	Spring-Friction
692.	690579	Spring-Detent
718.	690959	Pin-Locating
741.	790345	Gear-Timing
832.	499034	Guard-Muffler
836.	690664	Screw (Muffler Guard)
842.	691031†	Seal-O Ring (Dipstick Tube)
843.	691895	Sleeve-Lever
847.	692047	Assembly-Dipstick/Tube
851.	493880S	Terminal-Spark Plug
868.	697338	Seal-Valve
869.	691155	Seat-Valve (Intake)
870.	690380	Seat-Valve (Exhaust)
871.	262001	Bushing-Guide (Exhaust)
	63709	Bushing-Guide (Intake)
930.	691919	Guard-Rewind
957.	794793	Cap-Fuel Tank
966.	794798	Base-Air Cleaner Primer
968.	692298	Cover-Air Cleaner
972.	794792	Tank-Fuel
975.	493640	Bowl-Float
977.	498261	Set-Carburetor Gasket
1005.	691346	Fan-Flywheel
1036.	697457	Label-Emission
1058.	MS 3260	Owner's Manual
1059.	692311	Kit-Screw/Washer
1210.	498144	Assembly-Pulley/Spring (Pulley)
1211.	498144	Assembly-Pulley/Spring (Spring)
1330.	272147	Repair Manual

†Included in Engine Gasket Set, Key. No. 358

††Included in Carburetor Overhaul Kit, Key. No. 121

*Included in Carburetor Gasket Set, Key. No. 977

NOTES

(This page applicable in the U.S.A. and Canada only.)

**Sears, Roebuck and Co., U.S.A. (Sears), the California Air Resources Board (CARB)
and the United States Environmental Protection Agency (U.S. EPA)**

Emission Control System Warranty Statement (Owner's Defect Warranty Rights and Obligations)

EMISSION CONTROL WARRANTY COVERAGE IS APPLICABLE TO CERTIFIED ENGINES PURCHASED IN CALIFORNIA IN 1995 AND THEREAFTER, WHICH ARE USED IN CALIFORNIA, AND TO CERTIFIED MODEL

YEAR 1997 AND LATER ENGINES WHICH ARE PURCHASED AND USED ELSEWHERE IN THE UNITED STATES (AND AFTER JANUARY 1, 2001 IN CANADA).

California and United States Emission Control Defects Warranty Statement

The California Air Resources Board (CARB), U.S. EPA and Sears are pleased to explain the Emission Control System Warranty on your model year 2000 and later small off-road engine (SORE). In California, new small off-road engines must be designed, built and equipped to meet the State's stringent anti-smog standards. Elsewhere in the United States, new non-road, spark-ignition engines certified for model year 1997 and later must meet similar standards set forth by the U.S. EPA. Sears must warrant the emission control system on your

engine for the periods of time listed below, provided there has been no abuse, neglect or improper maintenance of your small off-road engine. Your emission control system includes parts such as the carburetor, air cleaner, ignition system, muffler and catalytic converter. Also included may be connectors and other emission related assemblies. Where a warrantable condition exists, Sears will repair your small off-road engine at no cost to you including diagnosis, parts and labor.

Sears Emission Control Defects Warranty Coverage

Small off-road engines are warranted relative to emission control parts defects for a period of one year, subject to provisions set forth below. If any covered

part on your engine is defective, the part will be repaired or replaced by Sears.

Owner's Warranty Responsibilities

As the small off-road engine owner, you are responsible for the performance of the required maintenance listed in your Operating and Maintenance Instructions. Sears recommends that you retain all your receipts covering maintenance on your small off-road engine, but Sears cannot deny warranty solely for the lack of receipts or for your failure to ensure the performance of all scheduled maintenance. As the small off-road engine owner, you should however be aware that Sears may deny you warranty coverage if your small off-road engine or a part has failed due to abuse, neglect, improper maintenance or unap-

proved modifications. You are responsible for presenting your small off-road engine to an Authorized Sears Service Dealer as soon as a problem exists. The undisputed warranty repairs should be completed in a reasonable amount of time, not to exceed 30 days. If you have any questions regarding your warranty rights and responsibilities, you should contact a Sears Service Representative at 1-800-469-4663. The emission warranty is a defects warranty. Defects are judged on normal engine performance. The warranty is not related to an in-use emission test.

Sears Emission Control Defects Warranty Provisions

The following are specific provisions relative to your Emission Control Defects Warranty Coverage. It is in addition to the Sears engine warranty for non-regulated engines found in the Operating and Maintenance Instructions.

1. Warranted Parts

Coverage under this warranty extends only to the parts listed below (the emission control systems parts) to the extent these parts were present on the engine purchased.

- a. Fuel Metering System
 - Cold start enrichment system
 - Carburetor and internal parts
 - Fuel Pump
- b. Air Induction System
 - Air cleaner
 - Intake manifold
- c. Ignition System
 - Spark plug(s)
 - Magneto ignition system
- d. Catalyst System
 - Catalytic converter
 - Exhaust manifold
 - Air injection system or pulse valve
- e. Miscellaneous Items Used in Above Systems
 - Vacuum, temperature, position, time sensitive valves and switches
 - Connectors and assemblies

2. Length of Coverage

Sears warrants to the initial owner and each subsequent purchaser that the Warranted Parts shall be free from defects in materials and workmanship which caused the failure of the Warranted Parts for a period of one year from the date the engine is delivered to a retail purchaser.

3. No Charge

Repair or replacement of any Warranted Part will be performed at no charge to the owner, including diagnostic labor which leads to the determination that a Warranted Part is defective, if the diagnostic work is performed at an Authorized Sears Service Dealer. For emissions warranty service contact your nearest Authorized Sears Service Dealer as listed in the "Yellow Pages" under "Engines, Gasoline," "Gasoline Engines," "Lawn Mowers," or similar category.

4. Claims and Coverage Exclusions

Warranty claims shall be filed in accordance with the provisions of the Sears Engine Warranty Policy. Warranty coverage shall be excluded for failures of Warranted Parts which are not original Sears parts or because of abuse, neglect or improper maintenance as set forth in the Sears Engine Warranty Policy. Sears is not liable to cover failures of Warranted Parts caused by the use of add-on, non-original, or modified parts.

5. Maintenance

Any Warranted Part which is not scheduled for replacement as required maintenance or which is scheduled only for regular inspection to the effect of "repair or replace as necessary" shall be warranted as to defects for the warranty period. Any Warranted Part which is scheduled for replacement as required maintenance shall be warranted as to defects only for the period of time up to the first scheduled replacement for that part. Any replacement part that is equivalent in performance and durability may be used in the performance of any maintenance or repairs. The owner is responsible for the performance of all required maintenance, as defined in the Sears Operating and Maintenance Instructions.

6. Consequential Coverage

Coverage hereunder shall extend to the failure of any engine components caused by the failure of any Warranted Part still under warranty.

In the USA and Canada, a 24 hour hot line, **1-800-469-4663**, has a menu of pre-recorded messages offering you engine maintenance information.

Look For Relevant Emissions Durability Period and Air Index Information On Your Engine Emissions Label

Engines that are certified to meet the California Air Resources Board (CARB) Tier 2 Emission Standards must display information regarding the Emissions Durability Period and the Air Index. Sears, Roebuck and Co., U.S.A. makes this information available to the consumer on our emission labels.

The Emissions Durability Period describes the number of hours of actual running time for which the engine is certified to be emissions compliant, assuming proper maintenance in accordance with the Operating & Maintenance Instructions. The following categories are used:

Moderate: Engine is certified to be emission compliant for 125 hours of actual engine running time.

Intermediate: Engine is certified to be emission compliant for 250 hours of actual engine running time.

Extended: Engine is certified to be emission compliant for 500 hours of actual engine running time.

For example, a typical walk-behind lawn mower is used 20 to 25 hours per year. Therefore, the **Emissions Durability Period** of an engine with an **intermediate** rating would equate to 10 to 12 years.

The **Air Index** is a calculated number describing the relative level of emissions for a specific engine family. The lower the **Air Index**, the cleaner the engine. This information is displayed in graphical form on the emissions label.

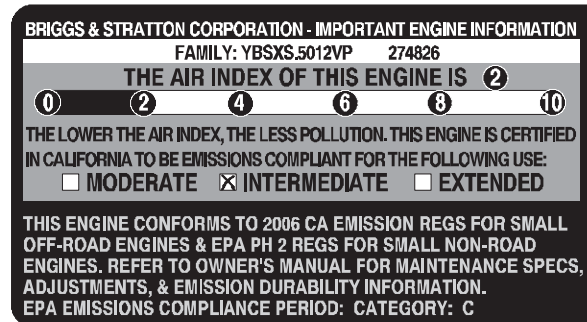
After July 1, 2000, Look For Emissions Compliance Period On Engine Emissions Compliance Label

After July 1, 2000 certain Sears, Roebuck and Co., U.S.A. engines will be certified to meet the United States Environmental Protection Agency (USEPA) Phase 2 emission standards. For Phase 2 certified engines, the Emissions Compliance Period referred to on the Emissions Compliance label indicates the number of operating hours for which the engine has been shown to meet Federal emission requirements.

For engines less than 225 cc displacement, Category C = 125 hours, B = 250 hours and A = 500 hours.

For engines of 225 cc or more, Category C = 250 hours, B = 500 hours and A = 1000 hours.

This is a generic representation of the emission label typically found on a certified engine.



INDICE

Garantía	Page 34	Mantenimiento	Page 48-50
Protección.....	Page 35	Almacenamiento	Page 51
Ensamble	Page 40-41	Gui De Localización de fallas	Page 52-54
Funcionamiento	Page 42-45	Control de Emisión	Page 55
Servicio y ajustes.....	Page 46-47		

GARANTIA

Garantía limitada de la cortadora de troncos Craftsman

Sears reparará o reemplazará gratis toda pieza que se determine defectuosa en material o mano de obra, a partir de un (1) año de la fecha de compra, si este equipo Craftsman se mantiene, lubrica y afina de acuerdo con las instrucciones en el manual del operador. El servicio de garantía está disponible gratis devolviendo el equipo Craftsman al centro de servicio Sears más cercano. Esta disponible la garantía en el sitio pero se aplica un cargo por viaje. Esta Garantía se aplica mientras este producto se encuentre en los Estados Unidos solamente.

Esta Garantía no cubre:

- Artículos consumibles que se desgastan durante el uso normal, tales como bujías, filtros, correas y filtros para aceite.
- Reemplazo o reparaciones de neumáticos causados por perforaciones de objetos externos tales como clavos, espinas, tocones o vidrio.
- Reparaciones necesarias causadas por abuso del operador, incluyendo, pero sin estar limitadas, a daños causados por objetos tales como piedras o desechos metálicos, materiales de gran tamaño, objetos impactantes que doblan el bastidor o el cigüeñal, o velocidad excesiva del motor.
- Reparaciones necesarias causadas por negligencia del operador, incluyendo, pero sin estar limitadas, a daños eléctricos o mecánicos causados por almacenamiento inadecuado, falla en usar el grado y cantidad correctos de aceite de motor, o falla en mantener el equipo de acuerdo con las instrucciones contenidas en el manual del operador.
- Limpieza o reparaciones del sistema de combustible del motor causados por el combustible que se determine estar contaminado u oxidado (rancio). En general el combustible debe usarse dentro de los 30 días de su fecha de compra.
- Equipo usado para fines comerciales o de alquiler.

LLAMAR AL 1-800-4-MY-HOME PARA LOCALIZAR EL CENTRO DE SERVICIO SEARS MAS CERCANO O PARA PROGRAMAR EL SERVICIO.

La garantía le otorga ciertos derechos legales específicos y usted puede tener también otros derechos, que varían de estado a estado.

ESPECIFICACION DEL PRODUCTO

Serie de motor	126T02
Tipo del aceite de motor	SAE 30
Cap. de aceite del motor	20 Onzas
Capacidad de combustible	1.5 Cuartos
Bujía (separación de .030")	Champion RJ-19LM
Líquido hidráulico	Dexron III / 3.0 gal

Número de modelo.....
Número de serie.....
Fecha de compra.....
Para referencia futura registrar el número de serie y la fecha de compra y guardar en un lugar seguro.

ACUERDO DE PROTECCIÓN PARA REPARACIONES

Felicitaciones por haber realizado una adquisición inteligente. El producto Craftsman® que ha adquirido está diseñado y fabricado para brindar muchos años de funcionamiento confiable. Pero como todos los productos a veces puede requerir de reparaciones. Es en ese momento cuando el disponer de un Acuerdo de protección para reparaciones le puede ahorrar dinero y problemas.

A continuación se detallan los puntos incluidos en el Acuerdo:

- **Servicio experto** prestado por nuestros 10,000 especialistas en reparaciones profesionales
- **Servicio ilimitado sin cargo** para las piezas y la mano de obra en todas las reparaciones cubiertas
- **Reemplazo del producto** hasta 1500 dólares si no es posible reparar el producto cubierto
- **Descuento de 10%** del precio normal del servicio y de las piezas relacionadas con el mismo que no estén cubiertas por el acuerdo; además, 10% del precio normal de la verificación de mantenimiento preventivo
- **Ayuda rápida por teléfono** - lo llamamos Resolución Rápida – el apoyo telefónico de un Chamusca al representante. Piense en nosotros como el manual “de un dueño hablador.”

Una vez adquirido el Acuerdo, puede programar el servicio con tan sólo realizar una llamada telefónica. Puede llamar en cualquier momento del día o de la noche o programar un servicio en línea. El Acuerdo de Protección de Reparación es una compra sin riesgo. Si usted anula por alguna razón durante el período de garantía de producto, proporcionaremos un reembolso lleno. O, un reembolso prorrateado en cualquier momento después del período de garantía de producto expira. ¡Adquiera hoy su acuerdo de protección para reparaciones!

Se aplican determinadas limitaciones y exclusiones. Para obtener información adicional y precios en los Estados Unidos llame al 1-800-827-6655.

El *Coverage en Canadá varía en algunos artículos. Para detalles llenos la llamada Chamusca Canadá en 1-800-361-6665.

Servicio de instalación de Sears

Si desea solicitar la instalación profesional de Sears de aparatos domésticos, dispositivos para abrir portones, calentadores de agua y otros artículos domésticos importantes, en los Estados Unidos o Canadá llame al **1-800-4-MY-HOME®**.

PROTECCION



ADVERTENCIA: La presencia de este símbolo indica que se trata de instrucciones importantes de seguridad que se deben respetar para evitar poner en peligro su seguridad personal y/o material y la de otras personas. Lea y siga todas las instrucciones de este manual antes de poner en funcionamiento esta máquina. Si no respeta estas instrucciones puede provocar lesiones personales. Cuando vea este símbolo. **¡TENGA EN CUENTA LAS ADVERTENCIAS!**

PROPOSICIÓN 65 de California



ADVERTENCIA: El escape del motor de este producto, algunos de sus componentes y algunos componentes del vehículo contienen o liberan sustancias químicas que el estado de California considera que pueden producir cáncer, defectos de nacimiento u otros problemas reproductivos.



PELIGRO: Esta máquina está diseñada para ser utilizada respetando las normas de seguridad contenidas en este manual. Al igual que con cualquier tipo de equipo motorizado, un descuido o error por parte del operador puede producir lesiones graves. Esta máquina es capaz de amputar manos y pies y de arrojar objetos con gran fuerza. De no respetar las instrucciones de seguridad siguientes se pueden producir lesiones graves o la muerte.

Capacitación

1. Lea, entienda y cumpla todas las instrucciones incluidas en la máquina y en el(los) manual(es) antes de intentar realizar el montaje de la unidad y utilizarla. Guarde este manual en un lugar seguro para consultas futuras y periódicas, así como para solicitar repuestos.
2. Familiarícese con todos los controles y con el uso adecuado de los mismos. Sepa cómo detener la máquina y desactivar los controles rápidamente.
3. No permita nunca que los niños menores de 16 años utilicen esta máquina. Los niños de 16 años en adelante deben leer y entender las instrucciones de operación y normas de seguridad contenidas en este manual y en la máquina y deben ser entrenados y supervisados por un adulto.
4. Nunca permita que los adultos operen esta máquina sin recibir antes la instrucción apropiada.
5. Muchos accidentes ocurren cuando más de una persona hace funcionar la máquina. Si un peón lo está ayudando a cargar los troncos, nunca active el control hasta que el peón se encuentre por lo menos a 10 pies de distancia de la máquina.
6. Mantenga a los transeúntes, ayudantes, mascotas y niños al menos a 20 pies de la máquina mientras está en funcionamiento.
7. Nunca permita que ninguna persona se desplace en la máquina.
8. Nunca traslade cargas en esta máquina.
9. Las máquinas rompetroncos hidráulicas desarrollan altas presiones de fluido durante el funcionamiento. Si sale fluido a través de la abertura de un orificio de pasador el mismo puede penetrar en la piel y causarle envenenamiento de la sangre, gangrena o la muerte. Preste atención a las siguientes instrucciones en todo momento:
 - a. No controle las fugas con la mano.
 - b. No opere la máquina si las mangueras, los accesorios o los tubos están deshilachados, enroscados, agrietados o dañados.
 - c. Detenga el motor y libere la presión del sistema hidráulico antes de cambiar o ajustar los accesorios, mangueras, tubos u otros componentes del sistema.
 - d. No ajuste los valores de presión de la bomba o válvula.
10. Las fugas se pueden detectar pasando un cartón o madera sobre el área sospechosa, usando guantes de protección y anteojos de seguridad. Fíjese si el cartón o la madera pierden color.
11. Si es lastimado por un escape de fluido, consulte a un médico de inmediato. Si no se administra tratamiento médico adecuado inmediatamente se puede producir una infección o reacción grave.
12. Mantenga la zona del operador y el área adyacente despejadas, para poder estar parado con firmeza y seguridad.
13. Si la máquina está equipada con un motor de combustión interna y existe la intención de usarla cerca de un terreno agreste cubierto de bosque, arbustos o pasto, el escape de la misma debe estar provisto de un amortiguador de chispas. Asegúrese de respetar todos los códigos locales, estatales y federales aplicables. Lleve el equipamiento adecuado para combatir incendios.
14. Esta máquina se debe utilizar únicamente para cortar madera, no la use con ningún otro propósito.

PROTECCION

15. Siga las instrucciones del(de los) manual(es) entregado(s) con cualquier accesorio de esta máquina.

Preparativos

1. Siempre use zapatos de seguridad o botas reforzadas.
2. Siempre use anteojos o antiparras de seguridad cuando hace funcionar esta máquina.
3. No use nunca joyas ni vestimenta floja que pudiere quedar atrapada en las partes móviles o giratorias de la máquina.
4. Asegúrese de que la máquina se encuentre en una superficie nivelada antes de ponerla en funcionamiento.
5. Siempre bloquee las ruedas para evitar que se mueva accidentalmente y trabe la vigueta ya sea en posición horizontal o vertical.
6. Siempre opere la máquina desde la(s) zona(s) del operador que se especifican en el manual.
7. Antes de cortar los troncos con esta máquina se les deben cortar los extremos en escuadra.
8. Use la máquina rompetroncos a la luz del día o con buena luz artificial.

Manejo seguro de la gasolina

Para evitar lesiones personales o daños materiales sea sumamente cuidadoso al manipular la gasolina. La gasolina es sumamente inflamable y sus vapores pueden causar explosiones. Si se derrama gasolina encima o sobre la ropa se puede lesionar gravemente ya que se puede incendiar. Lávese la piel y cámbiese de ropa de inmediato.

- a. Utilice sólo los recipientes para gasolina autorizados.
- b. Apague todos los cigarrillos, cigarros, pipas y otras fuentes de ignición.
- c. Nunca cargue combustible en la máquina en un espacio cerrado.
- d. Nunca saque la tapa del combustible ni agregue combustible mientras el motor está caliente o en marcha.
- e. Deje que el motor se enfríe por lo menos dos minutos antes de volver a cargar combustible.
- f. Nunca llene en exceso el tanque de combustible. Llene el tanque no más de 1/2 pulgada por debajo de la base del cuello del filtro para dejar espacio para la expansión del combustible.
- g. Vuelva a colocar la tapa de la gasolina y ajústela bien.
- h. Limpie el combustible que se haya derramado sobre el motor y el equipo y mueva la máquina a otra área. Espere cinco minutos antes de encender el motor.
- i. Nunca guarde la máquina o el recipiente de combustible en un espacio cerrado donde haya fuego, chispas o luz piloto, como por ejemplo de calentadores de agua, calefactores de ambientes, hornos, secadores de ropa u otros aparatos a gas.
- j. Deje que la máquina se enfríe por lo menos 5 minutos antes de guardarla.

Funcionamiento

1. Antes de arrancar esta máquina, revise las "Instrucciones de Seguridad". Si no se respetan estas normas se pueden producir lesiones graves tanto al operador como a los observadores.
2. Nunca deje la máquina en funcionamiento sin vigilancia.
3. No utilice la máquina bajo la influencia del alcohol, las drogas o un medicamento.
4. Nunca permita a nadie operar esta máquina sin recibir antes la instrucción apropiada.
5. Siempre opere la máquina con todo el equipamiento de seguridad en su lugar y en condiciones. Asegúrese de que todos los controles se ajusten adecuadamente para una operación segura.
6. Operador de Zona
 - a. Posición de funcionamiento horizontal: Stand en la palanca de control de parte del diario del separador delante de la rueda tal y como se muestra en la Fig. 1.
 - b. Posición Vertical de funcionamiento: de pie delante de la viga y de registro como se muestra en la Fig. 1.

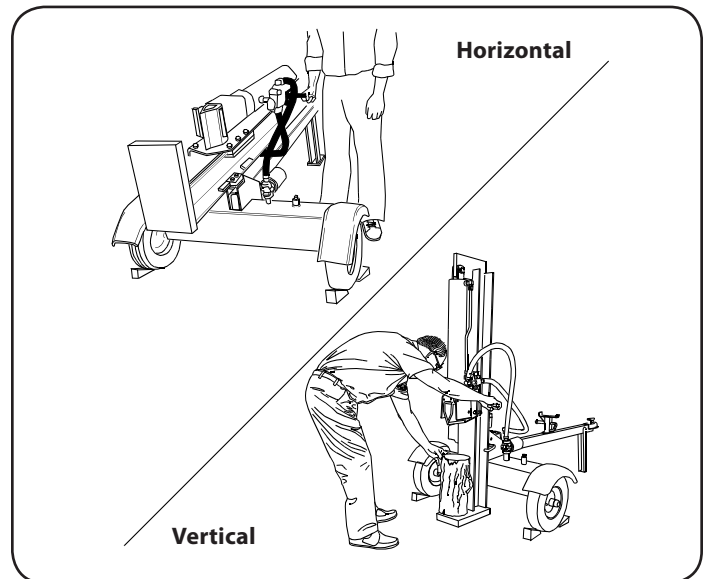


Figure 1

7. No cambie la configuración del regulador del motor ni acelere demasiado el motor. El regulador del motor controla la velocidad máxima de funcionamiento seguro del motor.
8. Cuando cargue un tronco, siempre coloque las manos a los lados del mismo, no en los extremos, y no use nunca el pie para estabilizar un tronco. Si no respeta estas instrucciones, se puede producir el aplastamiento o la amputación de dedos, dedos de los pies, manos o pies.
9. Use únicamente la mano para operar los controles.
10. Nunca intente cortar más de un tronco por vez, a menos que el cabezal se encuentre totalmente extendido y sea necesario un segundo tronco para completar la separación del primero.
11. En el caso de troncos que no están cortados en escuadra, el extremo menos cuadrado y la parte más larga del tronco se deben colocar hacia la vigueta y cuña, y el extremo cuadrado se debe ubicar hacia la placa del extremo.
12. Cuando corte en posición vertical, estabilice el tronco antes de mover el control. Corte según se indica a continuación:

PROTECCION

- a. Coloque el tronco en la placa del extremo y gírelo hasta que se incline contra la vigueta y quede estable.
 - b. Cuando corte troncos muy grandes o desparejos, el tronco se debe estabilizar con cuñas de madera o madera cortada entre el tronco y la placa del extremo o el suelo.
12. Mantenga los dedos alejados de cualquier hendidura que se abra en el tronco mientras realiza el cortado. Estas separaciones se pueden cerrar con rapidez y atrapar o amputar dedos.
 13. Mantenga limpia el área de trabajo. Retire inmediatamente la madera cortada que quede alrededor de la máquina para no tropezarse con la misma.
 14. Nunca mueva la máquina mientras está en funcionamiento.
 15. Esta máquina no se debe remolcar en ninguna calle, ruta o camino público sin verificar los requisitos aplicables a los vehículos según las reglamentaciones federales, estatales o locales que se encuentren en vigencia. Cualquier autorización o modificación que se deba realizar, por ejemplo, en relación con luces traseras, etc., es responsabilidad exclusiva del comprador. Si en su estado se exige una "Declaración de Origen", consulte con su distribuidor local.
 16. No remolque la máquina por encima de las 45 mph.
 17. Vea la sección 'Transporte de la máquina rompetroncos' de este manual para consultar las instrucciones de remolque adecuadas después de haber cumplimentado todos los requisitos federales, locales o estatales.

Mantenimiento y almacenamiento

1. Detenga el motor, desconecte la bujía y haga masa contra el motor antes de limpiar o inspeccionar la máquina.
2. Detenga el motor y libere la presión del sistema hidráulico antes de reparar o ajustar los accesorios, mangueras, tubos u otros componentes del sistema.
3. Para evitar incendios, limpie la suciedad y grasa de las áreas del motor y del silenciador. Si el motor está equipado con un silenciador con amortiguador de chispas, límpielo e inspecciónelo regularmente según las instrucciones de los fabricantes. Reemplácelo si está dañado.
4. Periódicamente controle que todas las tuercas y pernos, abrazaderas de mangueras y accesorios hidráulicos estén ajustados, para verificar que el equipo se encuentra en condiciones de trabajo seguras.
5. Controle todos los protectores y escudos de seguridad para verificar que se encuentren en posición adecuada. Nunca opere la máquina si se han retirado los protectores o escudos de seguridad u otros dispositivos de protección.
6. La válvula de descarga de presión viene preconfigurada de fábrica. No la ajuste.
7. No intente nunca mover la máquina en terreno en pendiente o desparejo sin un vehículo de remolque o sin ayuda adecuada.
8. Por su seguridad, cambie todas las piezas dañadas o

desgastadas inmediatamente utilizando únicamente equipo del fabricante original ('OEM'). "La utilización de piezas que no cumplen con las especificaciones de equipos originales puede tener como resultado un rendimiento inadecuado y puede poner en riesgo la seguridad".

9. No modifique esta máquina de ningún modo; si se realizan modificaciones tales como agregado de una cuerda o alargador a la manija de control, o el aumento del ancho o la altura de la cuña, se pueden producir lesiones personales graves.
10. Según la Comisión de Seguridad de Productos para el Consumidor de los Estados Unidos (CPSC) y la Agencia de Protección Ambiental de los Estados Unidos (EPA), este producto tiene una *vida útil media* de siete (7) años ó 130 horas de funcionamiento. Al finalizar la *vida útil media*, adquiera una máquina nueva o haga inspeccionar anualmente esta unidad por un distribuidor de servicio autorizado para cerciorarse de que todos los sistemas mecánicos y de seguridad funcionan correctamente y no tienen excesivo desgaste. Si no lo hace, pueden producirse accidentes, lesiones o la muerte.

Amortiguador de chispas



ADVERTENCIA: Esta máquina está equipada con un motor de combustión interna y no debe ser utilizada en un terreno agreste cubierto por bosque, malezas o hierba ni cerca del mismo excepto que el sistema de escape del motor esté equipado con un amortiguador de chispas que cumpla con las leyes locales o estatales correspondientes (en caso de haber).

Si se utiliza un amortiguador de chispas el operador lo debe mantener en condiciones de uso adecuadas. En el Estado de California las medidas anteriormente mencionadas son exigidas por ley (Artículo 4442 del Código de Recursos Públicos de California). Es posible que existan leyes similares en otros estados. Las leyes federales se aplican en territorios federales. Puede conseguir el amortiguador de chispas para el silenciador a través de su distribuidor de mantenimiento de motores autorizado más cercano o poniéndose en contacto con el departamento de servicios, Apartado Postal 361131 Cleveland, Ohio 44136-0019.



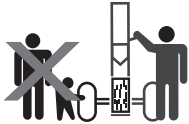
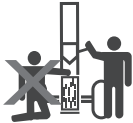



ADVERTENCIA: Su responsabilidad—Restrinja el uso de esta máquina motorizada a las personas que lean, comprendan y respeten las advertencias e instrucciones que figuran en este manual y en la máquina.

GUARDE ESTAS INSTRUCCIONES

PROTECCION

Símbolos De Seguridad

Esta página representa y describe los símbolos de seguridad que pueden aparecer en este producto. Léido, entienda, y siga todas las instrucciones en la máquina antes de procurar montar y funcionar.

Símbolo	Descripción
	LEA EL MANUAL(S) DEL OPERADOR léido, entienda, y siga todas las instrucciones en el manual(s) antes de procurar montar y funcionar
	ADVERTENCIA— MACHACAMIENTO DE PELIGRO Mantenga las manos ausentes de la cuña, placa de extremo, parta en parte las piezas de madera y móviles.
	PERSONAS PRESENTES Guarde a las personas presentes, a los ayudantes y a niños por lo menos 10 pies lejos.
	SOLO OPERADOR Solamente una persona debe funcionar la máquina a la vez. El adulto que carga y el registro de los asientos deben ser el quién funciona la manija de control.
	ADVERTENCIA— LÍQUIDO PRESURIZADO Nunca compruebe para saber si hay escapes de la manguera con sus manos. El líquido de alta presión puede escaparse a través de un perno escape del agujero y causar lesión seria pinchando la piel y causando el envenenamiento de sangre.
	PROTECCIÓN DE OJO Use siempre las gafas de seguridad o los anteojos de seguridad al funcionar esta máquina.
	ADVERTENCIA— CUÑA MÓVIL Mantenga las manos ausentes de cuña y de piezas móviles.



WARNING: Your Responsibility—Restrict the use of this power machine to persons who read, understand and follow the warnings and instructions in this manual and on the machine.

SAVE THESE INSTRUCTIONS!

ENSAMBLE

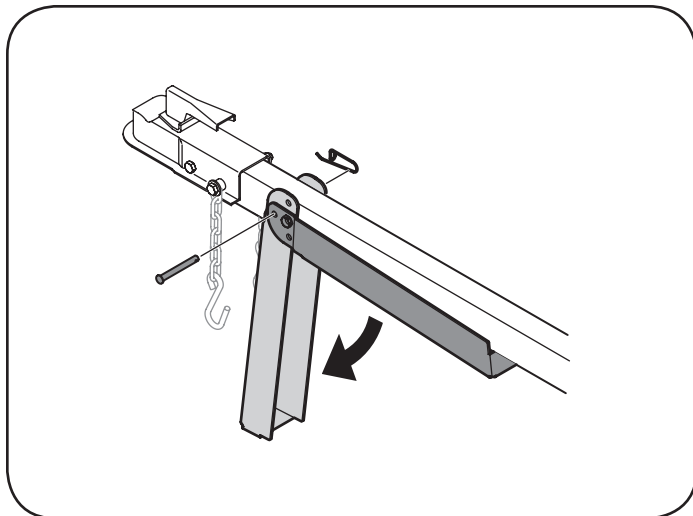


Figura 3-1

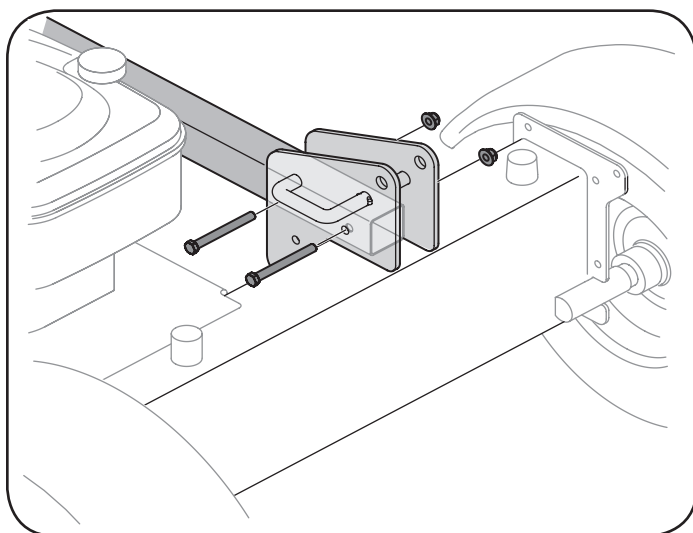


Figura 3-2

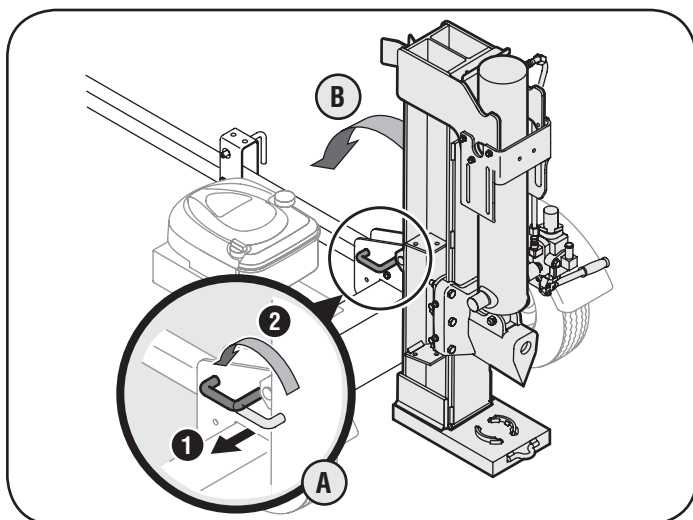


Figura 3-3

IMPORTANTE: Esta unidad se envía sin gasolina o aceite en el motor. Antes de operar la máquina, asegurarse de cargar gasolina y aceite según indicado en el manual separado del motor.

NOTA: La referencia a la derecha o izquierda de la cortadora de troncos se observa desde la posición de operación.

Extracción de la unidad de la caja

1. Separar el tope, lados y extremos del cajón.
2. Colocar los paneles a un lado para evitar perforaciones de los neumáticos o lesiones personales.
3. Extraer y descartar la bolsa plástica que cubre la unidad.
4. Extraer las piezas sueltas si están incluidas con la unidad (por ej., manual del operador, etc.)
5. Cortar y extraer las cintas que aseguran las piezas al fondo del cajón. Extraer los pernos de las piezas restantes que pueden estar emperradas al fondo del cajón.

⚠ WARNING

Se debe ser muy precavido al desempacar esta máquina. Algunos componentes son muy pesados y requieren más personas o equipo mecánico de manejo.

Piezas sueltas en una caja

- Conjunto de la lengüeta.

⚠ WARNING

Desconectar el cable de la bujía y conectar a tierra contra el motor para prevenir un arranque inesperado.

Fijación del soporte del gato

El soporte del gato se envía en la posición de transporte.

1. Extraer el broche a resorte y la clavija de la horquilla, y pivotar el soporte del gato a la posición de operación.
2. Asegurar el soporte del gato en posición con la clavija de la horquilla y el broche a resorte. Ver la figura 3-1.

Fijación de la lengüeta

1. Con la cortadora de troncos todavía en posición vertical, extraer los dos pernos hexagonales y tuercas hexagonales del frente del tanque reservorio. Ver la figura 3-2.
2. Alinear los orificios en la lengüeta con los orificios en el tanque y asegurar con la ferretería extraída previamente. Ver la figura 3-2.

Conexión del cilindro a la viga

La cortadora de troncos se envía con la viga en posición vertical.

1. Extraer la viga vertical de traba, girarla hacia atrás, y pivotar la viga a la posición horizontal hasta que se trabe. Ver la Figura 3-3.
2. Desconecte el dislodger del rayo soldado el anaquel por quitando los seis tornillos de maleficio. Ver la Figura 3-4.
3. Desconectar el lecho del tronco de la viga del lado de la válvula de control.

ENSAMBLE

- Levantarse y correr el cilindro hasta el tope de la viga y dentro de los soportes soldados. Ver la Figura 3-5.
- Fijarse el impulsor sobre el conjunto de la cuña y fijarse a los soportes soldados con la ferretería previamente extraída.

NOTA: Una vez que los seis tornillos de maleficio son se aprietan, puede haber un hueco leve entre el dislodger y los anaqueles soldadas. Este hueco es aceptable.

- Volver a fijarse el lecho del tronco al lado de la viga con la válvula de control, alineando los extremos del lecho con las bridas de la viga.
- Rodar la cortadora de troncos del fondo del cajón.

Preparación de la cortadora de troncos

- Lubricar el área de la viga donde la cuña de corte corre, con aceite para motor. (NO USAR GRASA).
- Quite la varilla de aceite de depósito expresada, que es localizada delante del motor sobre la cima del tanque de depósito. Ver la Figura 3-6.
- Llene el tanque de depósito de Dexron III fluido de transmisión automático o 10W el fluido ¡AH! hidráulico.
- Compruebe el nivel fluido que usa la varilla de aceite. Ver la Figura 3-6.

NOTA: El tanque reservorio tiene una capacidad de 3 galones.

- No sobrellene y sustituya la varilla de aceite expresada bien. La varilla de aceite debería ser se aprietan antes de que la cima de los hilos sea el rubor (con la cima del tubo).
- Si la bujía todavía no está desconectada, desconectar el cable de la misma y cebar la bomba, tirando del arranque de retroceso para hacer girar el motor 10 veces aproximadamente.
- Reconectar el cable de la bujía, arrancar el motor de acuerdo con Arranque del Motor en la sección de OPERACION.
- Usar el mango de control para enganchar la cuña a la posición extrema extendida y a continuación retraer la cuña.
- Tanque de recambio a dentro de la gama especificada sobre la varilla de aceite.
- Extender y retraer la cuña 12 ciclos completos para extraer el aire atrapado en el sistema (el sistema es "autopurgante").
- Gran parte del líquido original ha sido absorbido dentro del cilindro y las mangueras. Asegurarse de llenar el reservorio para prevenir un daño extremo a la bomba hidráulica. La falla en llenar el tanque cancela la garantía.

NOTA: Algo de líquido puede desbordarse desde el tapón del ventilador a medida que el sistema se calienta y el líquido se expande y busca un nivel equilibrado.

IMPORTANTE: No operar la cortadora de troncos sin la cantidad adecuada de líquido de transmisión en el tanque reservorio.

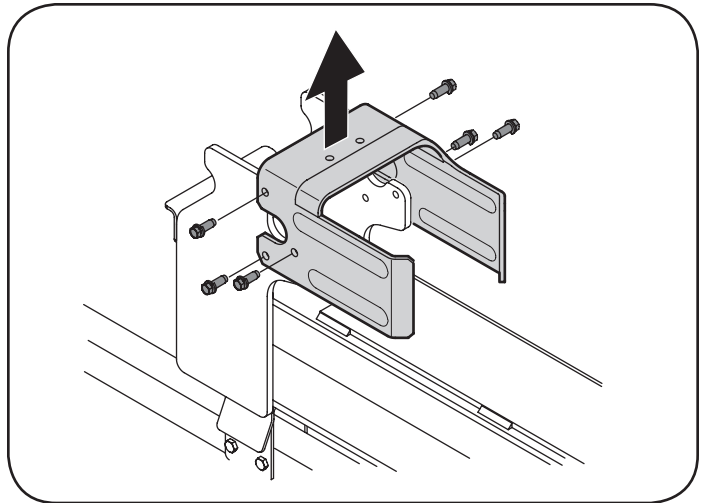


Figura 3-4

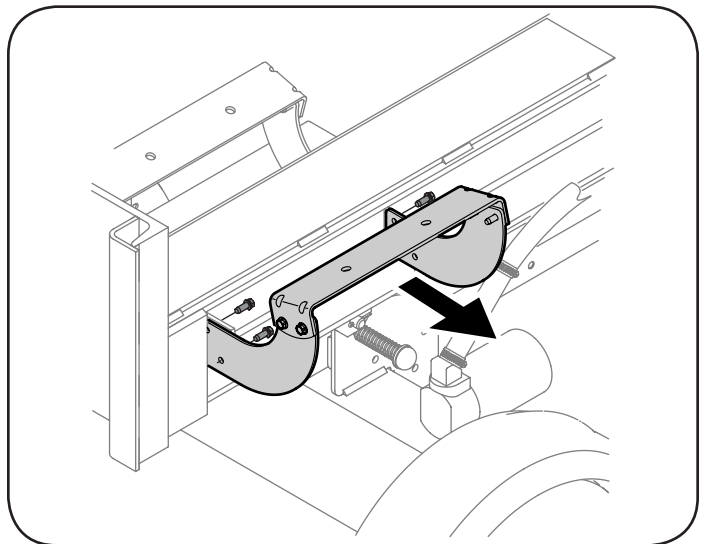


Figura 3-5

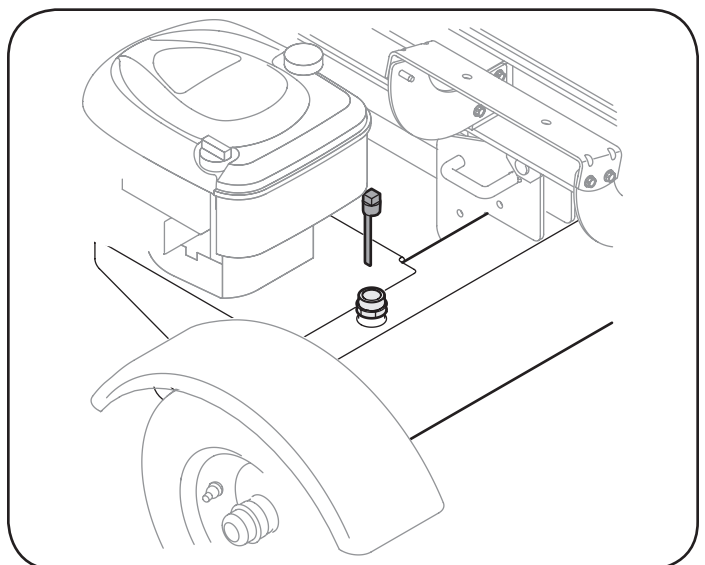


Figura 3-6

FUNCIONAMIENTO

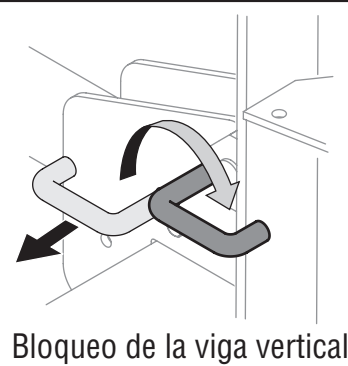
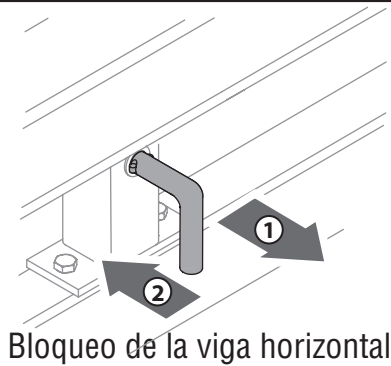
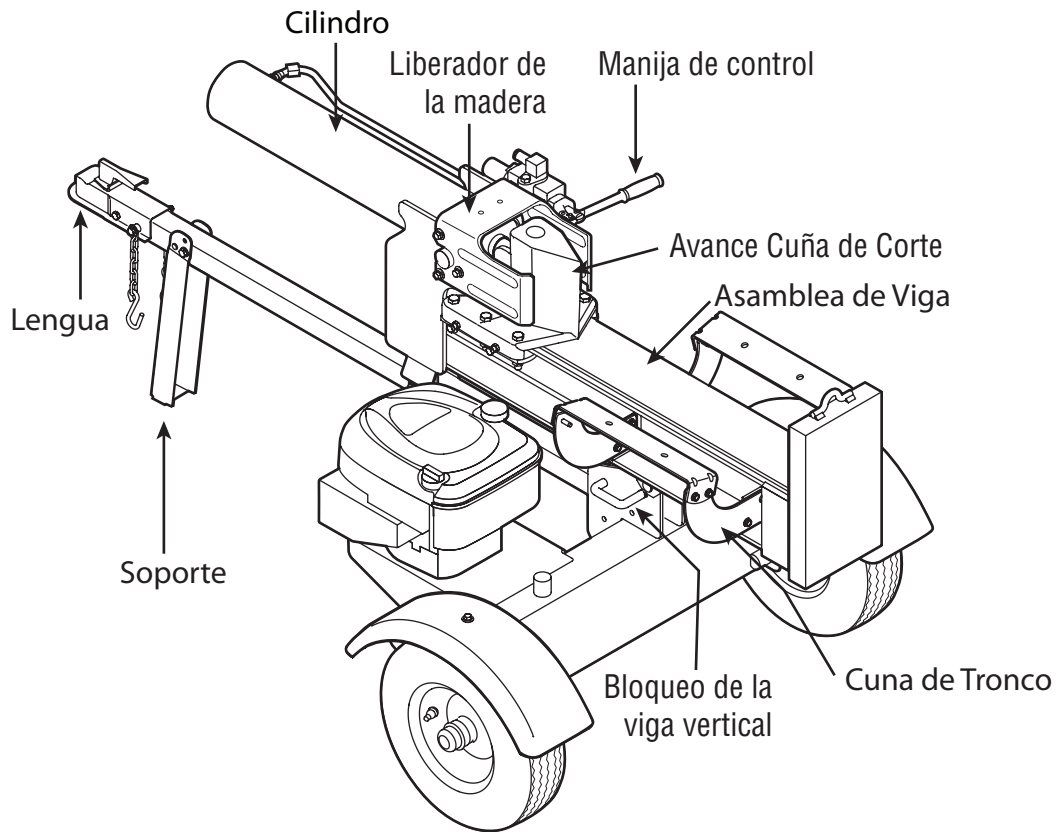


Figura 4-1



ADVERTENCIA: Lea este manual del operador y las reglas de seguridad antes de poner en funcionamiento la máquina cortadora de madera. Compare las ilustraciones que aparecen a continuación con su equipo para familiarizarse con la ubicación de los distintos controles y ajustes. Guarde este manual para referencias futuras.

Al operar la máquina cortadora de madera es posible que objetos extraños sean arrojados a los ojos lo cual puede dañarlos gravemente. Utilice siempre gafas de seguridad para operar el equipo o mientras lo ajusta o lo repara.



ADVERTENCIA: Familiarícese con todos los controles y su operación apropiada. Sepa cómo detener la máquina y cómo desengranar los controles rápidamente.

Bloqueos de las vigas

Existen dos bloqueos de posiciones para cada posición de funcionamiento. Ver la Figura 4-1.

Vertical: El bloqueo de la posición vertical está ubicado junto al filtro de aceite.

Horizontal: El bloqueo de la posición horizontal es parte de la escuadra de retén del sostén de la viga.

Cumple con las normas ANSI de protección

La cortadora de troncos Craftsman cumple con la norma de protección del Instituto Nacional Americano de Normas (ANSI)

FUNCIONAMIENTO

Controles del motor

Interruptor de detención

Oprima el botón para ponerlo en ON (encendido) antes del cebado para el arranque del motor, ponga el botón en OFF (apagado) para apagar el motor.

Control de obturación

El control de obturación se utiliza para cebar el carburador y ayudar a que el motor arranque.

Manija del arrancador

La manija del arrancador está ubicada sobre el motor. Tire de la manija del arrancador para encender el motor.

Manija de control

La manija de control tiene tres posiciones Ver la Figura 4-2.

- **AVANCE:** Mueva la manija de control FORWARD (avance) o DOWN (abajo) para mover la cuña para cortar madera.

NOTA: La manija de control vuelve a la posición neutral inmediatamente después de que la suelte (Posición Forward (avance) solamente)

- **NEUTRAL:** Suelte la manija de control o coloque la palanca en la posición neutral para detener el movimiento de la cuña.
- **RETROCESO:** Mueva la manija de control BACK (atrás) o UP (arriba) para volver la cuña hacia el cilindro. La manija de control permanece en la posición de retorno (Reverse (retroceso)) y vuelve a la posición neutral de forma automática cuando se la repliega totalmente.

NOTA: La posición de retroceso también se puede operar nuevamente de forma manual hasta la posición neutral, de ser necesario.

Llenado de gasolina y aceite

IMPORTANTE: Esta unidad se envía sin gasolina o aceite en el motor. Antes de operar la máquina, asegúrese de cargar gasolina y aceite según indicado en el manual separado del motor.



ADVERTENCIA: Ser muy precavido al manejar gasolina. la gasolina es extremadamente inflamable y los vapores son explosivos. Nunca se debe cargar combustible bajo techo o mientras el motor está caliente y funcionando.

Aceite

1. Extraer la varilla medidora de aceite.
2. Con la cortadora de troncos sobre un terreno nivelado, usar un embudo para llenar el motor hasta la marca FULL de la varilla medidora. la capacidad es de 27 onzas aproximadamente. Ser precavido en no llenar excesivamente. Un llenado excesivo causa un mal rendimiento del motor.
3. Inspeccionar el nivel de aceite asegurándose de no frotar la varilla contra las paredes interiores del tubo de llenado de aceite.

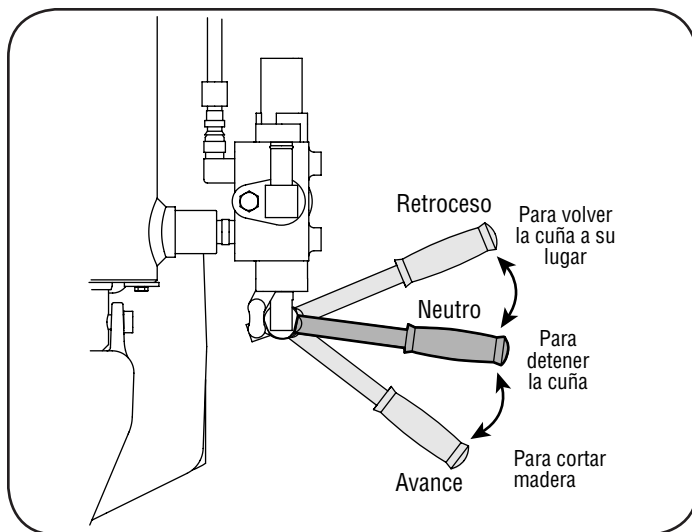


Figura 4-2

Volver a llenar hasta la marca FULL en la varilla medidora, si fuera necesario. Volver a colocar la varilla medidora y ajustar.

4. Antes de poner en marcha el motor, revise tres veces el nivel de aceite para asegurarse de obtener una indicación exacta en la varilla de medir. Si se hace funcionar el motor con muy poco aceite puede dañarse en forma permanente.

Gasolina

1. Extraer la tapa del tanque de combustible del mismo.
2. Asegurarse que el recipiente del cual se va a verter el combustible esté limpio y libre de óxido o partículas extrañas. Nunca usar gasolina que pueda estar rancia a causa de un período prolongado de almacenamiento en el recipiente. La gasolina que ha estado almacenada por cualquier período más largo de cuatro semanas debe considerarse rancia.
3. Llenar el tanque con 1.5 cuartos de gasolina de grado automotor limpia, fresca y sin plomo. NO USAR gasolina etílica o de alto octano.

NOTA: Se puede agregar gasolina al motor cuando la cortadora de troncos está en posición horizontal o vertical; sin embargo, hay menos obstrucciones cuando la unidad está en posición vertical.

NOTA: No usar gasolina que contiene metanol. Puede usarse gasolina que contenga un 10% de etanol aproximadamente o hasta un 15% de éter terciario butilo metilo (MTBE), pero requiere cuidado especial cuando el motor no se usa durante un período prolongado.

4. Volver a colocar la tapa de combustible.

NOTE: Para evitar problemas con el motor, el sistema de combustible debe vaciarse antes de almacenar durante 30 días o más. Drenar el tanque de gasolina, arrancar el motor y hacer funcionar hasta que las tuberías de combustible y el carburador estén vacíos. Usar combustible fresco en la próxima temporada. Por información adicional consultar la sección de ALMACENAMIENTO.

FUNCIONAMIENTO

Para detener el motor

1. Oprima el interruptor de detención hasta la posición OFF (apagado).
2. Desconecte el cable de la bujía de la bujía y colóquelo a masa contra el poste para evitar que se encienda accidentalmente mientras no se está prestando atención al equipo.

Encendido del motor

1. Conecte el cable de la bujía a la misma. Compruebe que la tapa metálica del extremo de la bujía esté bien ajustada sobre la punta metálica de la bujía.
2. Oprima el interruptor de detención hasta la posición ON (encendido).
3. Ponga la palanca de obturación en la posición CHOKE (obturación).
4. Tome la manija del arrancador y saque cuerda lentamente hasta que el motor alcance el inicio del ciclo de compresión (la cuerda tirará un poco más fuerte en este punto).
5. Tire de la cuerda de manera rápida y continua. Apriete bien la manija del arrancador. Deje que la sog a se enrosque lentamente.
6. Repita este paso, de ser necesario, hasta que se encienda el motor. Ajuste lentamente la obturación hacia la posición RUN (funcionamiento). Espere hasta que el motor funcione suavemente antes de cada ajuste de la obturación.
7. Si falla el motor, coloque la palanca de control en la posición CHOKE (obturación), luego lentamente de nuevo hasta la posición RUN (funcionamiento).
8. Si el clima es frío, mueva la cuña hacia arriba o hacia abajo entre 6 y 8 veces para hacer circular el fluido hidráulico.

⚠ WARNING

Al arrancar un motor caliente, el silenciador y las áreas circundantes están calientes y pueden causar quemaduras.

Uso de la cortadora de troncos

1. Colocar la cortadora de troncos sobre suelo nivelado, seco y sólido.
2. Colocar la viga en la posición horizontal o vertical y trabar en su lugar con la varilla apropiada de traba.
3. Bloquear la parte delantera y posterior de ambas ruedas.
4. Colocar el tronco contra la placa del extremo y cortar madera en la dirección del grano solamente.
5. Cuando sea necesario estabilizar el tronco, colocar las manos sobre los lados del tronco solamente. **NUNCA colocar las manos en el extremo entre el tronco y la cuña cortadora.**
6. Sólo un adulto debe estabilizar el tronco y operar la manija de control, de manera que el operador tenga pleno control sobre la estabilización del tronco y el movimiento de la cuña cortadora.

Posiciones de la manija de control

1. Para cortar madera mover la manija de control FORWARD o DOWN (AVANZAR O BAJAR)
2. Para detener el movimiento de la cuña, soltar la manija de control.
3. Mover la manija de control a BACK o UP (RETROCEDER o SUBIR) para retornar la cuña.

Liberador de la madera

El liberador de madera está diseñado para sacar de la cuña la madera parcialmente cortada. Esto puede suceder cuando se corta madera de gran diámetro o que ha sido cortada recientemente.

⚠ WARNING

ADVERTENCIA: No utilice nunca las manos para sacar de la cuña la madera parcialmente cortada. Los dedos pueden quedar atrapados entre la madera cortada.

1. Para sacar de la cuña la madera parcialmente cortada, coloque la manija de control en la posición REVERSE (retroceso) hasta que la cuña sea replegada totalmente para permitir que la parte de la madera cortada haga contacto con el liberador de madera.
2. Una vez extraída de la cuña mediante el uso del liberador de madera, corte madera desde el extremo opuesto o en otra ubicación.

Posición vertical

1. Colocar la traba horizontal de la viga para soltar la viga y pivotar la viga a la posición vertical.
2. Para trabar la viga en la posición vertical, tirar hacia afuera de la traba vertical de la viga y pivotar para asegurar la viga. Ver la Figura 4-1.
3. Pararse frente a la viga vertical para operar la manija de control y estabilizar el tronco. Ver la Figura 4-3.

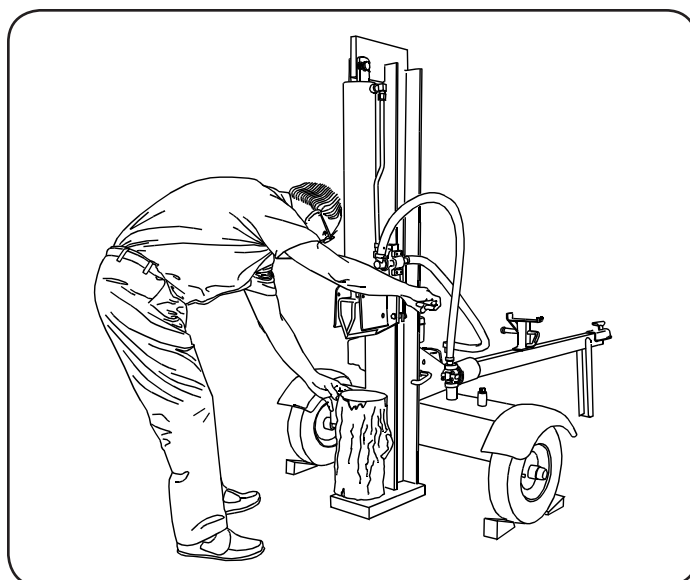


Figure 4-3

FUNCIONAMIENTO

Posición horizontal

1. Tirar de la traba vertical de la viga y pivotear hacia abajo. Ver la Figura 4-4. Pivotear la viga a la posición horizontal. Para trabar la viga en la posición horizontal, tirar hacia afuera de la traba horizontal de la viga y pivotear para asegurar la viga.
2. Pararse detrás del tanque reservorio para operar la manija de control y estabilizar el tronco. Ver la Figura 4-4.

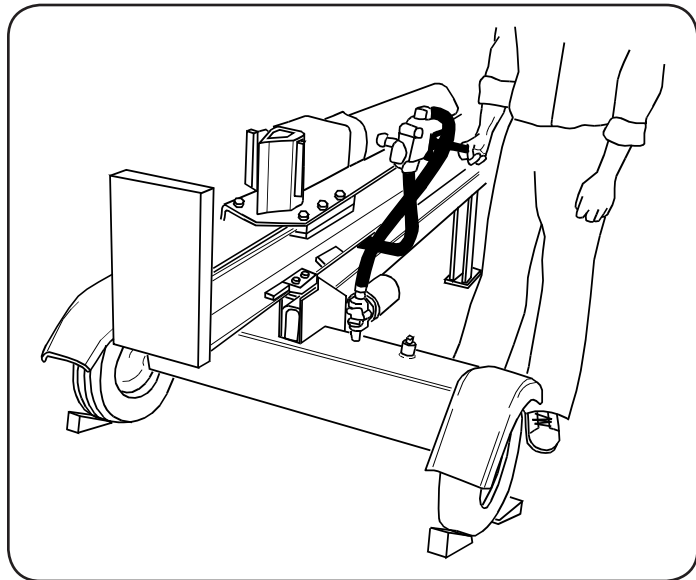


Figure 4-4

Siempre:

1. Usar líquido limpio e inspeccionar regularmente el nivel del líquido.
2. Usar líquido de transmisión automática Dexron III o líquido hidráulico 10W AW.
3. Usar un filtro (limpiar o reemplazar regularmente).
4. Usar una tapa con ventiladero en el reservorio de líquido.
5. Asegurarse que la bomba esté bien montada y alineada.
6. Usar un acople flexible de tipo "araña" entre los ejes impulsores del motor y de la bomba.
7. Mantener las mangueras despejadas y sin bloqueo.
8. Antes de operar purgar el aire de las mangueras.
9. Lavar y limpiar el sistema hidráulico antes de arrancar después de un mal funcionamiento o servicio.
10. Usar grasa para cañerías en todos los adaptadores hidráulicos.
11. Permitir un tiempo de calentamiento antes de cortar madera.
12. Cebiar la bomba antes del arranque inicial haciendo girar el motor con la bujía desconectada.
13. Cortar madera con el grano en el sentido longitudinal solamente.

Nunca:

1. Usar cuando el líquido tiene una temperatura menor de 20° F o mayor de 150° F.

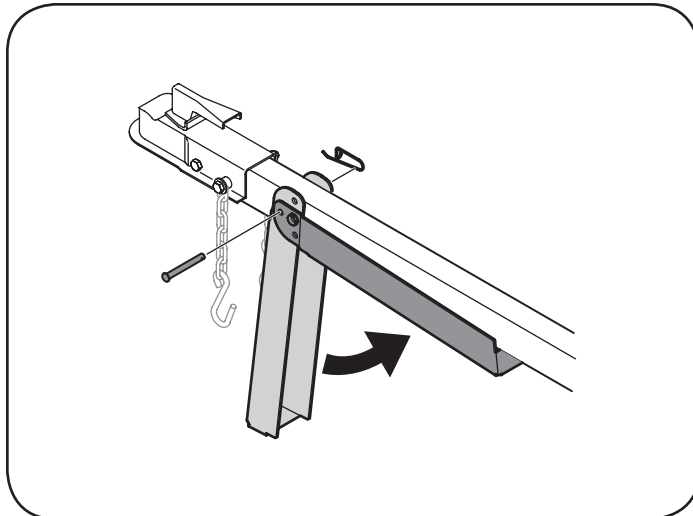


Figura 4-5

2. Usar un acople sólido de motor/bomba.
3. Operar a través de la válvula de escape por más de varios segundos.
4. Intentar ajustar las graduaciones de la válvula de descarga o escape sin indicadores de presión.
5. Operar con aire en el sistema hidráulico.
6. Usar cinta de teflón en los adaptadores hidráulicos.
7. Intentar cortar madera a través del grano.

Transporte de la cortadora de troncos

1. Bajar la viga a su posición horizontal. Asegurarse que la viga está bien trabada con la traba horizontal de la viga.
2. Extraer el broche a resorte y la clavija de la horquilla del soporte del gato.
3. Apoyar la lengüeta y pivotear el soporte del gato contra la lengüeta. Ver la Figura 4-5.
4. Asegurar con el broche a resorte y la clavija de la horquilla previamente extraídos. Ver la Figura 4-4.
5. Fijar el enganche del acople a una esfera de clase I o mayor, de 2", en el vehículo de remolque, asegurándose de colocar bien el pasador.
6. Conectar las cadenas de seguridad al vehículo de remolque.

⚠ WARNING

No remolcar a mayor velocidad de 45 mph y averiguar los requerimientos locales, estatales y federales antes de remolcar en cualquier ruta pública.

NOTA: Ser precavido al retroceder. Se recomienda usar un ayudante fuera del vehículo.

SERVICIO Y AJUSTES

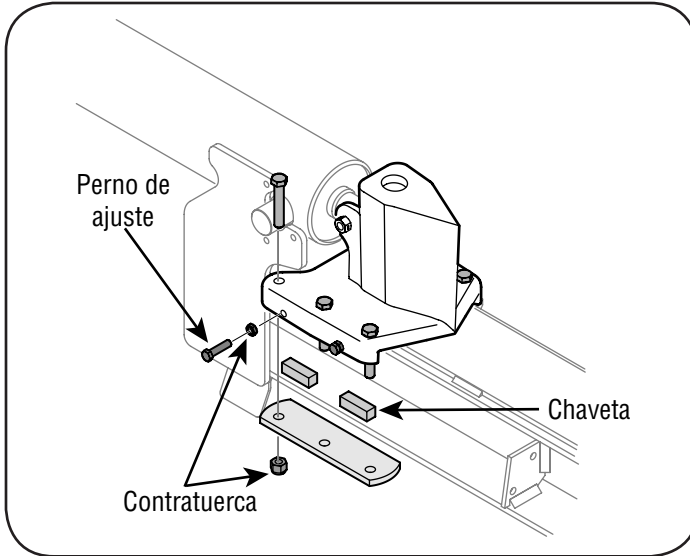


Figura 5-1

⚠ WARNING

Nunca efectuar ningún ajuste sin para primero el motor, desconectar el cable de la bujía y conectarlo a tierra **contra el motor**.

Ajuste del conjunto de la cuña

A medida que ocurre un desgaste normal y exista un juego excesivo entre la cuña y la viga, ajustar los pernos del lado del conjunto de la cuña para eliminar el espacio excesivo entre la cuña y la viga.

1. Ajustar las contratuercas en los dos pernos de ajuste del lado de la cuña. Ver la Figura 5-1.
2. Girar los pernos de ajuste hasta que se sientan firmes y después retroceder lentamente hasta que el conjunto de la cuña corra sobre la viga.
3. Ajustar bien las contratuercas contra el lado de la cuña para mantener los pernos de ajuste en esta posición.

Ajuste de la placa de chavetas

Extraer y reemplazar periódicamente las chavetas (separadores) entre la placa de la cuña y la placa posterior.

NOTA: Las chavetas pueden girarse y/o darse vuelta para un desgaste uniforme.

1. Aflojar las contratuercas debajo de cada placa posterior y deslizar hacia afuera las chavetas. Ver la Figura 5-1.
2. Girar o reemplazar las chavetas.
3. Volver a ensamblar las placas posteriores y asegurar con las contratuercas.
4. Reajustar los pernos del lado del conjunto de la cuña.

Mordazas de la manguera

- Antes de cada uso, inspeccionar las mordazas de la manguera en la manguera de succión (fijada al lado de la bomba) por un buen ajuste. Inspeccionar una vez por temporada por lo menos, las mordazas de la manguera en la manguera de retorno.

Acople flexible de la bomba

El acople flexible de la bomba es una inserción de nilón de tipo "araña", ubicado entre la bomba y el eje del motor. Con el tiempo, el acople se endurece y deteriora.

Se necesita reemplazar si se detecta vibración o ruido proveniente del área entre el motor y la bomba. Se experimenta una pérdida de potencia si el acople falla completamente.

SERVICIO Y AJUSTES

IMPORTANTE: No golpear nunca de ninguna manera el eje del motor, ya que un golpe causa un daño permanente al motor.

Al reemplazar el acople flexible de la bomba, proceder como sigue:

1. Extraer las tres tuercas y que aseguran la bomba al protector del acople. Dos tuercas están en las esquinas del fondo y una está en el centro del tope. Ver la Figura 5-2.
2. Extraer la bomba.
3. Girar el motor tirando lentamente de la manija del arranque hasta que el medio tornillo de posición del acople del motor esté en el fondo. Aflojar el tornillo de posición usando una llave allen y deslizar la mitad del acople fuera del eje del motor.
4. Aflojar el tornillo de posición en la mitad del acople de la bomba y extraer la mitad del acople.
5. Deslizar la nueva mitad del acople del motor sobre el eje del motor hasta que el extremo del eje esté al ras con la porción interior de la mitad del acople. (Debe haber espacio entre el extremo del motor de la ménsula de soporte del motor y la mitad del acople). Ajustar el tornillo de posición.
6. Instalar la mitad del acople de la bomba y la chavetera en el eje de la bomba. Girar la mitad del acople hasta que el tornillo de posición esté frente a la abertura en el protector. No ajustar el tornillo de posición.
7. Instalar la "araña" de nilón sobre la mitad del acople del motor.
8. Alinear la mitad del acople de la bomba con la "araña" de nilón girando el motor usando la manija del arranque. Deslizar la mitad del acople en su lugar mientras se guían los tres pernos de montaje a través de los orificios en la ménsula de soporte de la bomba.
9. Asegurar con las tuercas extraídas antes.
10. Graduar una separación entre .010" y .060" entre la "araña" de nilón y la mitad del acople del motor deslizando una cubierta de caja de fósforos entre la "araña" de nilón y la mitad del acople del motor y moviendo la mitad del acople de la bomba según requerido. Asegurar la mitad del acople de la bomba con el tornillo de posición. Ver la Figura 5-2.

NOTA: Antes de ajustar el tornillo de posición asegurarse de obtener una separación adecuada.

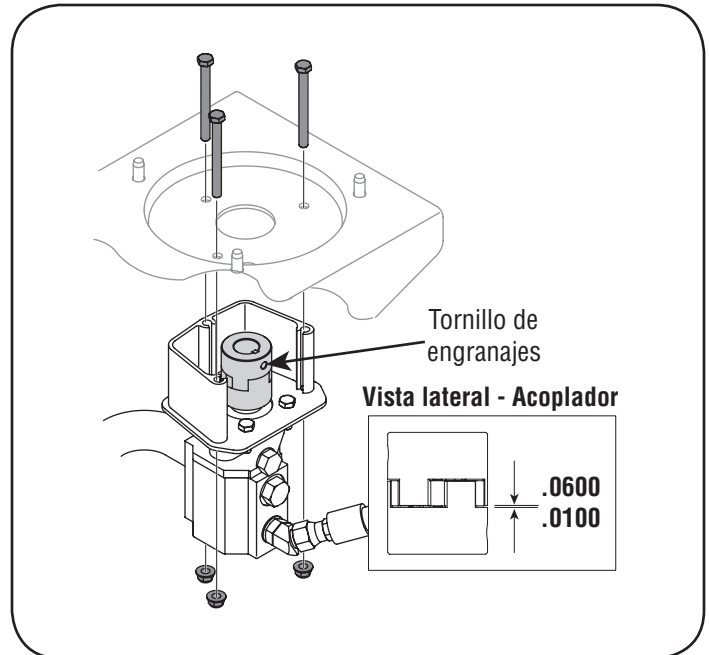


Figura 5-2

Neumáticos

Leer la pared lateral del neumático por la presión recomendada. La presión máxima del neumático en todas las circunstancias es de 30 p.s.i. Debe mantenerse una presión igual en todos los neumáticos.

⚠ WARNING

Una presión excesiva (mayor de 30 p.s.i.) al asentar las perlas selladoras puede causar que el conjunto del neumático/aro explote con suficiente fuerza como para causar lesiones graves.

MANTENIMIENTO

PROGRAMA DE MANTENIMIENTO

TAREAS	Antes de cada uso	Primeras 5 horas	Cada 25 horas	Cada 50 horas	Cada 100 horas	FECHAS DE SERVICIO
Lubricar viga y cuña	✓					
Cambiar el líquido hidráulico					✓	
Cambiar el filtro hidráulico				✓		
Limpiar screen del reservorio					✓	
Inspeccionar el líquido del reservorio	✓					
Inspeccionar el aceite del motor	✓					
Cambiar el aceite del motor		✓	✓			
Limpiar el filtro de aire				✓		
Limpiar la bujía				✓		
Limpiar el motor	✓					

Figura 5-1

WARNING

Siempre parar el motor y desconectar y conectar a tierra el cable de la bujía antes de efectuar mantenimiento o ajustes.

Recomendaciones Generales

1. Al efectuar mantenimiento observar siempre las reglas de protección.
2. La garantía de la cortadora de troncos no cubre artículos que han estado sujetos a abuso o negligencia por parte del operador. Para recibir un valor completo de la garantía, el operador debe mantener el equipo según indicado en este manual.
3. Para mantener bien su equipo, deben efectuarse ajustes periódicamente.
4. Seguir el programa de mantenimiento. Ver la Figura 5-1.
5. Inspeccionar periódicamente todos los fijadores y asegurarse que estén firmes.

MANTENIMIENTO

Líquido hidráulico

- Compruebe el nivel hidráulico fluido en el tanque de depósito de hendedor de tronco antes de cada empleo. Mantenga el nivel fluido dentro de la gama especificada sobre la varilla de aceite en cualquier momento.
- Cambiar el líquido hidráulico en el reservorio cada 100 horas de operación:
 1. Desconectar la manguera de succión del fondo del tanque reservorio y drenar el líquido dentro de un recipiente apropiado. Ver la Figura 5-2.
 2. Volver a llenar usando líquido de transmisión automática Dexron III o líquido hidráulico 10W AW.

NOTA: Drenar y limpiar el tanque reservorio y las mangueras con querosén siempre que se trabaje en el tanque, bomba hidráulica, o válvula. Los contaminantes en el líquido dañan los componentes hidráulicos. Toda reparación a los componentes hidráulicos debe ser efectuada por un Centro de Servicio Sears.

WARNING

Ser muy precavido al trabajar con querosén. Es un líquido extremadamente inflamable.

Filtro hidráulico

- Cambiar el filtro hidráulico cada 50 horas de operación. Usar un filtro hidráulico de 10 micrones solamente.

Viga y cuña cortadora

- Lubricar ambos lados de la viga (donde entra en contacto con la cuña cortadora), antes de cada uso, con aceite para motor. La placa de la cuña en la cortadora de troncos está diseñada de tal manera que las chavetas laterales de la placa de la cuña pueden extraerse y girarse y/o darse vuelta para un desgaste uniforme.
- Asegurarse de reajustar los pernos de ajuste para que la cuña se mueva libremente, pero sin que exista un espacio excesivo entre la placa de la cuña y la viga. Ver la Sección de Ajuste.

Mantenimiento del motor

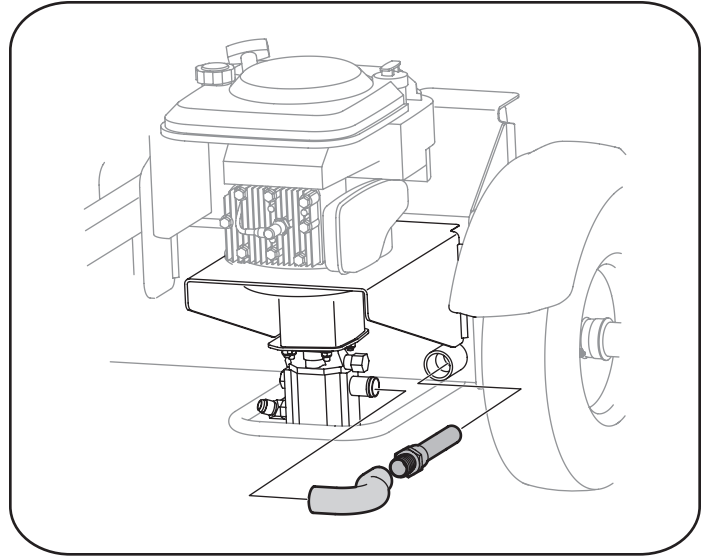


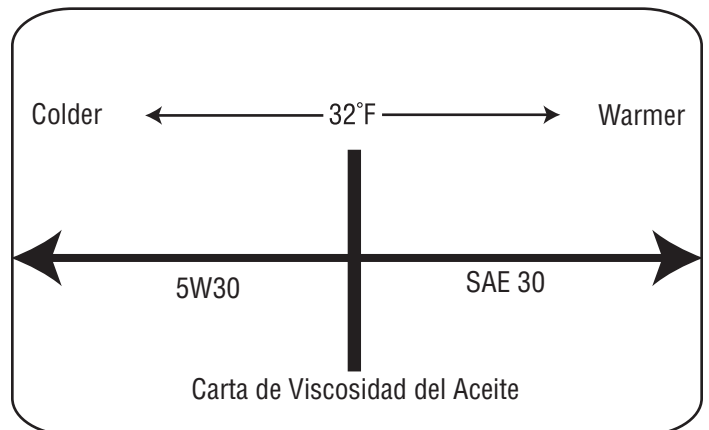
Figura 5-2

Inspeccionar el aceite del motor

1. Extraer la varilla medidora de aceite.
2. Inspeccionar el nivel de aceite en el motor. El nivel debe estar en la marca FULL.
3. Volver a colocar la varilla medidora y ajustar.

Cambio del aceite del motor

Usar aceite detergente de alta calidad clasificado SF, SG, o SH de servicio API. Seleccionar el grado de viscosidad SAE de acuerdo con la temperatura esperada de operación. Para la tabla de viscosidad referirse a la sección de operación.



MANTENIMIENTO

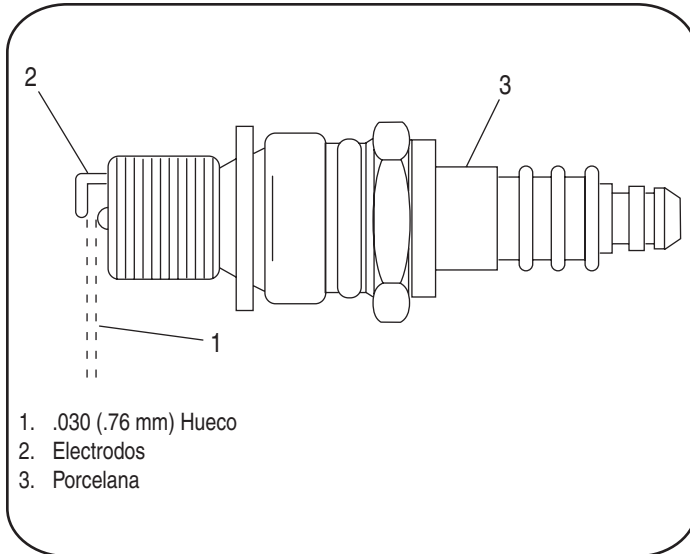


Figura 5-3

NOTA: Parar el motor y esperar varios minutos antes de inspeccionar el nivel de aceite. Con el motor sobre un suelo nivelado, el aceite debe estar en la marca FULL de la varilla medidora.

Cambiar el aceite del motor después de las primeras cinco horas de operación, y cada 50 horas posteriormente. Cambiar el aceite cada 25 horas de operación si el motor se opera bajo una carga pesada o en temperaturas ambiente elevadas.

Para drenar el aceite

Drenar el aceite mientras el motor está caliente. Seguir las instrucciones de abajo:

1. Extraer el tapón del drenaje de aceite y la varilla medidora de aceite. Colectar el aceite en un recipiente apropiado.
2. Cuando el motor se ha drenado de todo el aceite, volver a colocar bien el tapón de drenaje.
3. Llenar con aceite fresco, usando el grado recomendado.
4. Volver a colocar la varilla medidora.

Servicio del filtro de aire

El filtro de aire evita el ingreso al carburador de suciedad, polvo, etc. perjudiciales y evita que los mismos sean introducidos dentro del motor. Además dicho filtro es importante para la vida útil y el rendimiento del motor.

⚠ WARNING

No ponga nunca en funcionamiento el motor sin haber montado totalmente el filtro de aire.

Hágale un servicio al cartucho cada 25 horas de funcionamiento o todas las temporadas. Realice el servicio del cartucho con más frecuencia si está expuesto a mucho polvo.

Servicio del filtro de aire

1. Afloje el tornillo de la cubierta del filtro de aire pero no saque dicho tornillo de la cubierta. Gire la cubierta hacia abajo para sacarla de la bisagra.
2. Revise el filtro para detectar la presencia de decoloración o de acumulación de suciedad. Si detecta alguna de las condiciones mencionadas proceda de la siguiente manera:
 - a. Limpie exhaustivamente el interior del cuerpo y de la cubierta y saque el cartucho.
 - b. Vuelva a ensamblar el cartucho nuevo dentro del cuerpo. Gire la cubierta hacia abajo y ajuste el tornillo que aflojó previamente.

⚠ WARNING

La temperatura del silenciador y de las áreas cercanas puede exceder 150°F (65°C). Evitar esas áreas.

Limpieza de la bujía

- Limpiar la bujía y regraduar la separación a .030" una vez por temporada por lo menos o cada 50 horas de operación. Ver la Figura 5-3.
- Limpiar el área alrededor de la bujía. Extraer e inspeccionar la bujía.
- Reemplazar si los electrodos están mellados, quemados o la porcelana está agrietada.
- Inspeccionar la separación del electrodo con un calibre de palpador de alambre y regraduar la separación a .030 pulgadas.

NOTA: No limpiar la bujía con chorro de arena. La bujía debe limpiarse raspando o cepillando con cepillo de alambre y lavando con un solvente comercial.

Limpieza del motor

- Limpiar periódicamente el motor, eliminando la suciedad y los desechos con un trapo o cepillo.

NOTA: No se recomienda limpiar con un chorro fuerte de agua ya que el agua puede contaminar el sistema de combustible.

- Para asegurar una operación uniforme del motor, mantener el acople del regulador, resortes y controles libres de desechos.
- Cada 100 horas de operación, extraer los depósitos de combustión del tope del cilindro, cabezal del cilindro, tope del pistón y alrededor de las válvulas.

ALMACENAMIENTO

Al final de la temporada o si la cortadora de troncos no se va a usar por 30 días o más, prepararla para almacenamiento.

WARNING

Nunca almacenar la máquina con combustible en el tanque de combustible dentro de un edificio donde los humos pueden alcanzar una llama expuesta o chispa o donde estén presentes fuentes de encendido tales como calentadores de agua caliente y espacio, calderas, secadoras de ropa, cocinas, motores eléctricos, etc.

NOTA: Una buena manera de asegurar que su cortadora de troncos proporcionará un rendimiento máximo la próxima temporada es una revisión anual por su Centro de Servicio Sears local.

Cortadora de troncos

1. Limpiar bien la cortadora de troncos.
2. Frotar la unidad con un trapo aceitado para prevenir la oxidación, especialmente en la cuña y viga.

Motor

IMPORTANTE: Es importante prevenir que se formen depósitos de goma en las piezas esenciales del sistema de combustible tales como carburador, filtro de combustible, manguera de combustible, o tanque, durante el almacenamiento. También, las mezclas de alcohol (llamadas gasohol o el uso de etanol o metanol) puede atraer humedad que conduce a la separación y formación de ácidos durante el almacenamiento. El gas ácido puede dañar el sistema de combustible del motor mientras está almacenado.

1. Drenar el tanque de combustible. Siempre drenar el combustible dentro de un recipiente aprobado al aire libre, alejado de llamas expuestas. Asegurarse que el motor está frío. No fumar mientras se maneja el combustible.
2. Arrancar el motor y dejarlo funcionar hasta que las tuberías de combustible y el carburador estén vacíos.

IMPORTANTE: Nunca usar productos limpiadores de motor o carburador en el tanque de combustible ya que puede ocurrir un daño permanente. Usar combustible fresco la temporada próxima.

3. Extraer la bujía, verter 1/2 oz aproximadamente de aceite para motor dentro del cilindro y hacer girar lentamente para distribuir el aceite.
4. Volver a colocar la bujía.

NOTE: El estabilizador de combustible es una alternativa aceptable para minimizar la formación de depósitos de goma de combustible durante el almacenamiento.

Por favor seguir las instrucciones de abajo para almacenar su cortadora de troncos con combustible y estabilizador en el motor:

1. Agregar estabilizador a la gasolina en el tanque de combustible o recipiente de almacenamiento. Seguir siempre la proporción de mezcla indicada en el recipiente del estabilizador.
2. Hacer funcionar el motor por 10 minutos por lo menos después de agregar estabilizador para permitir que el estabilizador llegue al carburador.

IMPORTANTE: No drenar el tanque de gasolina y el carburador si se usa estabilizador de combustible. Drenar todo el aceite del cárter (esto debe hacerse después de operar el motor y cuando está todavía caliente) y llenar el cárter con aceite fresco.

Otros

- No almacenar la gasolina de una temporada a la otra.
- Reemplazar el recipiente de gasolina si comienza a oxidarse.
- Almacenar la unidad en un área limpia y seca. No almacenar cerca de materiales corrosivos tales como fertilizante.
- Frotar el equipo con un trapo aceitado para prevenir la oxidación.

GUI DE LOCALIZACION DE FALLAS

Problema	Causa posible	Acción correctiva
El motor no arranca	<ol style="list-style-type: none"> 1. Filtro de aire sucio. 2. Tanque de combustible vacío, o combustible rancio. 3. El regulador no está en la posición OFF. 4. Tubería de combustible bloqueada. 5. Cable de bujía desconectado. 6. Bujía defectuosa. 	<ol style="list-style-type: none"> 1. Limpiar el filtro de aire siguiendo las instrucciones en la sección de mantenimiento. 2. Llenar el tanque con combustible fresco. 3. Mover el regulador a ON. 4. Limpiar la tubería de combustible. 5. Conectar el cable de la bujía a la misma. 6. Limpiar la bujía siguiendo las instrucciones en la sección de mantenimiento.
El motor funciona erráticamente.	<ol style="list-style-type: none"> 1. Unidad funcionando con el regulador. 2. Cable de la bujía flojo. 3. Tubería de combustible bloqueada o combustible rancio. 4. Filtro de aire sucio. 5. Carburador desajustado. 	<ol style="list-style-type: none"> 1. Mover la palanca del regulador a la posición OFF. 2. Conectar y ajustar el cable de la bujía. 3. Limpiar la tubería de combustible. Llenar el tanque con combustible fresco. 4. Limpiar el filtro de aire siguiendo las instrucciones en la sección de mantenimiento. 5. Consultar con el Centro de Servicio Sears.
El motor calienta excesivamente	<ol style="list-style-type: none"> 1. Nivel bajo del aceite del motor. 2. Filtro de aire sucio. 3. Carburador desajustado. 4. Restricción en el flujo de aire. 	<ol style="list-style-type: none"> 1. Llenar el cárter con aceite apropiado. 2. Limpiar el filtro de aire siguiendo las instrucciones en la sección de mantenimiento. 3. Consultar con el Centro de Servicio Sears. 4. Parar el motor, desconectar el cable de la bujía, mover la armadura del ventilador y limpiar.

¿NECESITA MÁS AYUDA?

Encontrará la respuesta y más en managemy.com - ¡sin cargo!

- En línea podrá encontrar este manual y los manuales de todos los otros productos que posea.
 - Sus preguntas serán respondidas por nuestro equipo de especialistas.
 - Obtenga un plan de mantenimiento personalizado para su hogar.
- Encuentre información y herramientas que lo ayudarán con los proyectos de su hogar.

manage my home

brought to you by Sears

NOTA: Para reparaciones que no sean los ajustes menores listados arriba, por favor consultar con el Centro de Servicio Sears local.

GUI DE LOCALIZACION DE FALLAS

Problema	Causa posible	Acción correctiva
El cilindro no se mueve	<ol style="list-style-type: none"> 1. Eje roto del impulsor. 2. Los tapones de envío se han dejado en las mangueras hidráulicas. 3. Los tornillos de posición en el acople no se han ajustado bien. 4. Acople flojo del eje. 5. Secciones dañadas del engranaje. 6. Válvula de escape dañada. 7. Tuberías hidráulicas bloqueadas. 8. Nivel de aceite incorrecto. 9. Válvula direccional dañada o bloqueada 	<ol style="list-style-type: none"> 1. Devolver la unidad al Centro de Servicio Sears. 2. Desconectar la manguera hidráulica, extraer los tapones de envío y reconectar la manguera. 3. Referirse a la sección de ajuste de este manual y ajustar los acoples. 4. Corregir la alineación del motor/bomba. 5. Devolver la unidad al Centro de Servicio Sears. 6. Devolver la unidad al Centro de Servicio Sears. 7. Lavar y limpiar el sistema hidráulico. 8. Inspeccionar el nivel de aceite. Llenar si es necesario. 9. Devolver la unidad al Centro de Servicio Sears.
Es lenta la velocidad del eje del cilindro mientras se extiende y retrae	<ol style="list-style-type: none"> 1. Secciones dañadas del engranaje. 2. Vacío excesivo de entrada a la bomba. 3. Velocidad lenta del motor. 4. Válvula de escape dañada. 5. Nivel de aceite incorrecto. 6. Aceite contaminado. 7. Válvula direccional perdiendo internamente. 8. Cilindro internamente dañado. 	<ol style="list-style-type: none"> 1. Devolver la unidad al Centro de Servicio Sears. 2. Asegurarse que las mangueras de entrada de la bomba estén limpias y desbloqueadas. Usar mangueras de entradas cortas y de gran diámetro. 3. Devolver la unidad al Centro de Servicio Sears. 4. Devolver la unidad al Centro de Servicio Sears. 5. Inspeccionar el nivel de aceite. Llenar si fuera necesario. 6. Drenar el aceite, limpiar el reservorio, llenar, asegurarse que el tubo de retorno de aceite esté por debajo del nivel del aceite. 7. Devolver la unidad al Centro de Servicio Sears. 8. Devolver la unidad al Centro de Servicio Sears.
Cilindro pierde	<ol style="list-style-type: none"> 1. Sello roto. 2. Cilindro rayado. 	<ol style="list-style-type: none"> 1. Devolver la unidad al Centro de Servicio Sears. 2. Devolver la unidad al Centro de Servicio Sears.

¿NECESITA MÁS AYUDA?

Encontrará la respuesta y más en managemy.com - ¡sin cargo!

- En línea podrá encontrar este manual y los manuales de todos los otros productos que posea.
- Sus preguntas serán respondidas por nuestro equipo de especialistas.
- Obtenga un plan de mantenimiento personalizado para su hogar.
- Encuentre información y herramientas que lo ayudarán con los proyectos de su hogar.

manage my home

brought to you by Sears

GUI DE LOCALIZACION DE FALLAS

Problema	Causa posible	Acción correctiva
El motor funciona pero no corta madera o corta muy lentamente	<ol style="list-style-type: none"> 1. Sección del engranaje pequeño dañado. 2. La válvula de cierre de la bomba pierde. 3. Vacío excesivo en la entrada de la bomba. 4. Nivel de aceite incorrecto. 5. Aceite contaminado. 6. Válvula direccional perdiendo internamente. 7. Cilindro dañado internamente. 8. Cilindro sobrecargado. 	<ol style="list-style-type: none"> 1. Devolver la unidad al Centro de Servicio Sears. 2. Devolver la unidad al Centro de Servicio Sears. 3. Asegurarse que las mangueras de entrada de la bomba estén limpias y desbloqueadas. Usar mangueras de entradas cortas y de gran diámetro. 4. Inspeccionar el nivel de aceite. Llenar si es necesario. 5. Drenar el aceite, limpiar el reservorio, llenar, asegurarse que el tubo de retorno de aceite esté por debajo del nivel del aceite. 6. Devolver la unidad al Centro de Servicio Sears. 7. Devolver la unidad al Centro de Servicio Sears. 8. No intentar cortar madera contra el grano.
El motor se atasca al cortar madera	<ol style="list-style-type: none"> 1. Pocos HP/motor débil. 2. Cilindro sobrecargado. 	<ol style="list-style-type: none"> 1. Devolver la unidad al Centro de Servicio Sears. 2. No intentar cortar madera contra el grano. Si el motor se atasca repetidamente consultar con el Centro de Servicio Sears.
El motor no gira o se atasca bajo una carga baja	<ol style="list-style-type: none"> 1. Motor/bomba mal alineados. 2. Bomba congelada o atascada. 3. Motor débil. 4. Tuberías hidráulicas bloqueadas. 5. Válvula direccional bloqueada. 	<ol style="list-style-type: none"> 1. Corregir la alineación. 2. Devolver la unidad al Centro de Servicio Sears. 3. Devolver la unidad al Centro de Servicio Sears. 4. Lavar y limpiar el sistema hidráulico. 5. Devolver la unidad al Centro de Servicio Sears.
El sello del eje de la bomba pierde	<ol style="list-style-type: none"> 1. Eje impulsor roto. 2. Motor/bomba mal alineados. 3. Secciones dañadas del engranaje 4. Sello del eje en mala posición. 5. Ventiladero de aceite taponado. 	<ol style="list-style-type: none"> 1. Devolver la unidad al Centro de Servicio Sears. 2. Corregir la alineación. 3. Devolver la unidad al Centro de Servicio Sears. 4. Devolver la unidad al Centro de Servicio Sears. 5. Asegurarse que el reservorio esté bien ventilado.
No corta troncos	<ol style="list-style-type: none"> 1. Nivel bajo del líquido del reservorio. 	<ol style="list-style-type: none"> 1. Llenar con líquido automático de transmisión Dexron III.

¿NECESITA MÁS AYUDA?

Encontrará la respuesta y más en managemy.com - ¡sin cargo!

- En línea podrá encontrar este manual y los manuales de todos los otros productos que posea.
 - Sus preguntas serán respondidas por nuestro equipo de especialistas.
 - Obtenga un plan de mantenimiento personalizado para su hogar.
- Encuentre información y herramientas que lo ayudarán con los proyectos de su hogar.

manage my home

brought to you by Sears

NOTA: Para reparaciones que no sean los ajustes menores listados arriba, por favor consultar con el Centro de Servicio Sears local.

(Esta página se aplica sólo en EE.UU. y Canadá).

Sears, Roebuck and Co., U.S.A. (Sears), el Consejo de Recursos Ambientales de California (CARB) y la Agencia de Protección Ambiental de los Estados Unidos (EPA)

Declaración de garantía del sistema de control de emisiones (derechos y obligaciones de la garantía de defectos del propietario)

LA COBERTURA DE LA GARANTÍA DE CONTROL DE EMISIONES ES APLICABLE A LOS MOTORES CERTIFICADOS COMPRADOS EN CALIFORNIA EN 1995 Y POSTERIORMENTE, QUE SE UTILIZAN EN CALIFORNIA,

Declaración de garantía sobre defectos en el control de emisiones para California y los Estados Unidos

El Consejo de Recursos Ambientales de California (CARB), la EPA (Agencia de Protección Ambiental de los EE.UU.) y Sears tienen el gusto de explicar la garantía del sistema de control de emisiones para motores del año 2000 y para el futuro con relación a motores pequeños todo terreno (SORE). En California, los nuevos motores pequeños todo terreno deben estar diseñados, construidos y equipados para cumplir con las rigurosas normas anti-smog del estado. En el resto de los Estados Unidos, los motores nuevos todo terreno de encendido por chispa certificados para el año 1997 deben cumplir estándares similares establecidos por la EPA. Sears debe garantizar el sistema de control de emis-

Y PARA LOS MODELOS CERTIFICADOS DEL AÑO 1997 Y POSTERIORES, QUE SE COMPREN Y UTILICEN EN CUALQUIER PARTE DE LOS ESTADOS UNIDOS (Y A PARTIR DEL 1 DE ENERO DE 2001 EN CANADÁ).

iones de su motor para los períodos de tiempo enumerados a continuación, siempre que no haya abuso, negligencia o mantenimiento indebido de su motor todo terreno pequeño. Su sistema de control de emisiones puede incluir piezas tales como el carburador, el filtro de aire, el sistema de encendido, el silenciador y el convertidor catalítico. También puede incluir conectores y otras unidades relacionadas con las emisiones. Donde exista una condición cubierta por la garantía, Sears reparará su pequeño motor todo terreno sin costo alguno incluyendo diagnóstico, piezas y mano de obra

Cobertura de la garantía Sears para defectos en el control de emisiones

Los motores todo terreno pequeños están garantizados en lo relativo al control de emisiones para defectos en piezas durante un período de dos años, sujeto

Responsabilidades del propietario en relación con la garantía

Como propietario del motor todo terreno pequeño, Ud. es responsable de la realización del mantenimiento requerido que se incluye en las instrucciones de operación y mantenimiento. Sears recomienda que se conserven todos los recibos relativos al mantenimiento de su motor todo terreno pequeño, pero no puede denegar la garantía simplemente por la falta de los mismos, o por su incumplimiento del mantenimiento programado. Como propietario del motor pequeño todoterreno debe saber que, sin embargo, Sears le puede negar la cobertura de la garantía si su motor todoterreno pequeño o una pieza del mismo han fallado debido a abuso, negligencia, mantenimiento indebido o

a las disposiciones que se indiquen a continuación. Si una parte de su motor cubierta por la garantía es defectuosa, Sears reparará o sustituirá dicha parte.

a modificaciones no aprobadas. Ud. es responsable de presentar su motor todoterreno pequeño a un distribuidor de servicios Sears autorizado tan pronto como aparezca un problema. Las reparaciones de la garantía sin conflicto deben completarse en un plazo de tiempo razonable, no superior a 30 días. Si tiene alguna pregunta respecto a sus derechos y responsabilidades referentes a la garantía, debe contactar con un representante de servicios Sears al 1--800--469--4663. La garantía de emisiones es una garantía por defectos. Los defectos se juzgan de acuerdo con el funcionamiento normal de un motor. La garantía no está relacionada con una prueba de emisiones en uso.

Disposiciones de la garantía Sears para defectos en el control de emisiones

Las siguientes son disposiciones específicas relacionadas con la cobertura de la garantía para defectos en el control de emisiones. Es un añadido a la garantía de motor Sears para motores no regulados que se encuentra en las instrucciones de funcionamiento y mantenimiento.

1. Piezas con garantía

La cobertura de esta garantía se extiende únicamente a las piezas que aparecen a continuación (las partes de los sistemas de control de emisiones), siempre que dichas piezas estuvieran ya en el motor en el momento de su compra.

- a. Sistema de medición de combustible
 - Sistema de enriquecimiento para arranque en frío
 - Carburador y partes internas
 - Bomba de combustible
- b. Sistema de inducción de aire
 - Filtro de aire
 - Colector de admisión
- c. Sistema de encendido
 - Bujía(s) de encendido
 - Sistema de encendido magneto
- d. Sistema del catalizador
 - Convertidor catalítico
 - Colector de escape
 - Sistema de inyección de aire o válvula de impulsos
- e. Elementos variados usados en los sistemas anteriores
 - Válvulas de vacío, sensibles a temperatura, posición y tiempo e interruptores
 - Conectores y montajes

2. Alcance de la cobertura

Sears garantiza al poseedor inicial y a los compradores subsiguientes que las piezas con garantía no tendrán defectos en materiales ni mano de obra que provoquen la falla de las mismas durante un período de dos años a partir de la fecha en que el motor se entrega a un comprador particular.

3. Sin cargo

La reparación o reemplazo de cualquier parte con garantía se realizará

sin cargo alguno para el poseedor, incluyendo tareas de diagnóstico que permitan determinar si una parte con garantía es defectuosa, siempre que dicho diagnóstico se realice en un distribuidor de servicios Sears autorizado. Para el servicio de la garantía de emisiones, contacte al distribuidor de servicios Sears autorizado más cercano incluido en las "Páginas amarillas" en las categorías "Motores, gasolina", "Motores de gasolina", "Podadoras de césped", o similares.

4. Reclamaciones y exclusiones a la cobertura

Las reclamaciones de la garantía deben enviarse de acuerdo con las disposiciones de la política de garantía para motores Sears. La cobertura de la garantía excluirá defectos en piezas con garantía que no sean partes originales Sears, o abuso, negligencia o mantenimiento incorrecto, tal y como se establece en la política de garantía para motores Sears. Sears no es responsable de las fallas en piezas con garantía provocadas por el uso de partes añadidas, que no sean originales o que se hayan modificado.

5. Mantenimiento

Cualquier parte con garantía que no esté programada para ser reemplazada como mantenimiento requerido, o que sólo deba inspeccionarse regularmente al efecto de "inspeccione o reemplace según sea necesario", estará garantizada contra defectos durante el período de la garantía. Todas las piezas garantizadas que estén programadas para su reemplazo para cumplir con los requisitos de mantenimiento estarán garantizadas sólo por el período anterior al primer reemplazo programado para dicha pieza. Cualquier pieza de recambio que sea equivalente en funcionamiento y durabilidad puede usarse para realizar mantenimiento o reparaciones. El propietario es responsable de realizar todo el mantenimiento requerido, tal y como se define en las instrucciones de funcionamiento y mantenimiento Sears

6. Cobertura indirecta

Por la presente, la cobertura se extiende a la falla de cualquier componente de motor provocada por la falla de una pieza con garantía que esté todavía en período de garantía.

En los Estados Unidos y Canadá hay una línea de atención de 24 horas, **1-800-469--4663**, que cuenta con un menú con mensajes pre-grabados que contienen información para el mantenimiento de motores.

Busque el período de duración de emisiones importantes y la información de clasificación de aire en la etiqueta de emisiones de su motor

Los motores cuyo cumplimiento con los estándares de emisión Tier 2 de la Comisión de Recursos Ambientales de California (CARB) esté certificado deben exhibir la información relacionada con el período de duración de las emisiones y la clasificación de aire. Sears, Roebuck and Co., de los Estados Unidos ponen esta información a disposición del consumidor en nuestras etiquetas de emisiones.

El Período de Duración de las Emisiones describe el número de horas de tiempo real de funcionamiento para el cual se certifica que el motor cumple con las reglas de emisión, descontando el mantenimiento adecuado del mismo según las instrucciones de operación y mantenimiento. Se utilizan las siguientes categorías:

Moderado: Se certifica que el motor cumple con las reglas de emisión durante 125 horas de tiempo real de funcionamiento del motor.

Inmediato: Se certifica que el motor cumple con las reglas de emisión durante 250 horas de tiempo real de funcionamiento del motor.

Extendido: Se certifica que el motor cumple con las reglas de emisión durante 500 horas de tiempo real de funcionamiento del motor.

Por ejemplo, una cortadora de césped típica que se empuja desde atrás se usa entre 20 y 25 horas por año. Por lo tanto, el **Período de Duración de Emisiones** de un motor con una **clasificación intermedia** sería equivalente a entre 10 y 12 años.

La **clasificación de aire** es un número calculado para describir el nivel relativo de emisiones para un grupo de motores en particular. Cuanto menor sea la **clasificación de aire**, mayor es la limpieza del motor. La información se presenta de forma gráfica en la etiqueta de emisiones.

Después del 1 de julio de 2000, busque el período de cumplimiento de las reglas de emisiones en la etiqueta de cumplimiento de las reglas de emisiones del motor

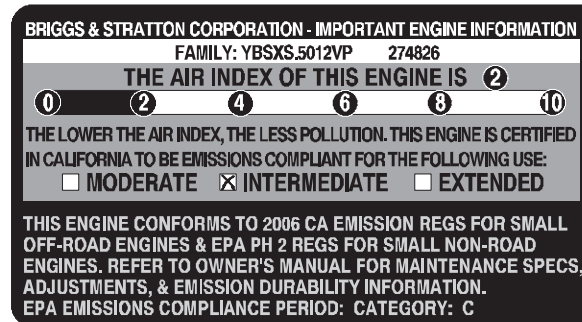
Después del 1 de julio de 2000 se certificará que determinados motores Sears, Roebuck and Co., de los Estados Unidos cumplen con los estándares de emisiones de la fase 2 de la Agencia de Protección Ambiental de los Estados Unidos (USEPA). Para los motores certificados para la etapa 2, el período de cumplimiento con las reglas de emisiones al cual se hace referencia en la etiqueta de cumplimiento con las reglas de emisiones indica el número de horas de funcionamiento para el cual se ha demostrado que el motor cumple con los requerimientos federales de emisión.

Para los motores con desplazamiento inferior a 225 cc, Categoría C = 125 horas, B = 250 horas y A = 500 horas.

Para los motores con desplazamiento de 225 cc o más, Categoría C = 250 horas, B = 500 horas y A = 1000 horas.

El desplazamiento de los motores de la serie modelo 150112 es 249 cc.

La presente es una representación genérica de la etiqueta de emisión que se encuentra generalmente en un motor certificado.



NOTAS

NOTAS

NOTAS

Get it fixed, at your home or ours!

Your Home

For expert troubleshooting and home solutions advice:

manage my home

www.managemyhome.com

For repair – **in your home** – of **all** major brand appliances, lawn and garden equipment, or heating and cooling systems, **no matter who made it, no matter who sold it!**

For the replacement parts, accessories and owner's manuals that you need to do-it-yourself.

For Sears professional installation of home appliances and items like garage door openers and water heaters.

1-800-4-MY-HOME[®] (1-800-469-4663)

Call anytime, day or night (U.S.A. and Canada)

www.sears.com www.sears.ca

Our Home

For repair of carry-in items like vacuums, lawn equipment, and electronics, call anytime for the location of your nearest

Sears Parts & Repair Service Center

1-800-488-1222 (U.S.A.) **1-800-469-4663** (Canada)

www.sears.com

www.sears.ca

To purchase a protection agreement on a product serviced by Sears:

1-800-827-6655 (U.S.A.)

1-800-361-6665 (Canada)

Para pedir servicio de reparación a domicilio, y para ordenar piezas:

1-888-SU-HOGAR[®]

(1-888-784-6427)

Au Canada pour service en français:

1-800-LE-FOYER^{MC}

(1-800-533-6937)

www.sears.ca

Sears