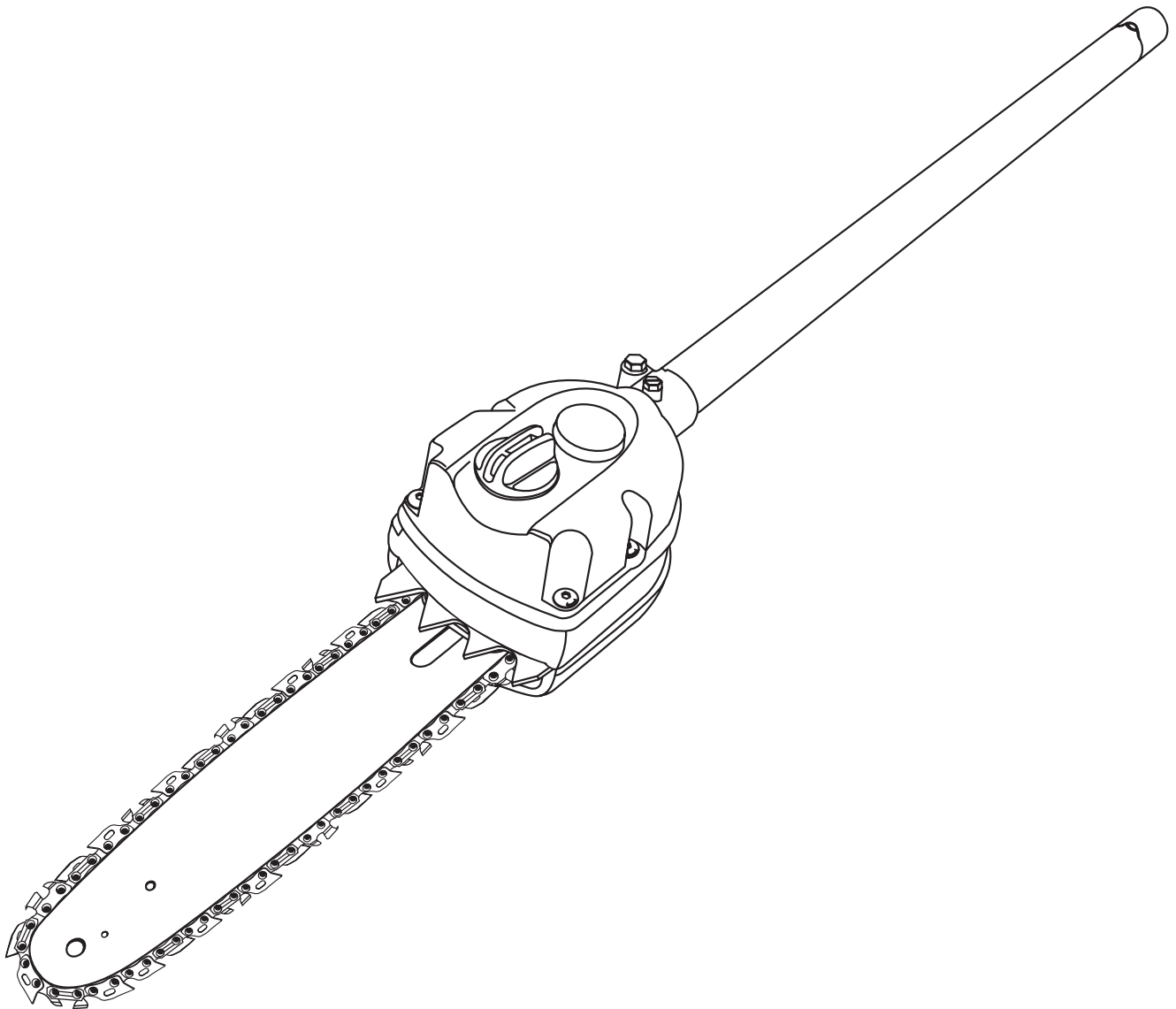


OPERATOR'S MANUAL

Expand-it™

Pruner Attachment

UT15520C



Your Expand-it™ Pruner Attachment has been engineered and manufactured to a high standard for dependability, ease of operation, and operator safety. When properly cared for, it will give you years of rugged, trouble-free performance.



WARNING: To reduce the risk of injury, the user must read and understand the operator's manual before using this product.

Thank you for buying an Expand-it™ product.

SAVE THIS MANUAL FOR FUTURE REFERENCE

TABLE OF CONTENTS

■ Introduction.....	2
■ General Safety Rules	3
■ Specific Safety Rules.....	4
■ Symbols	5-6
■ Features	7
■ Assembly	7-8
■ Operation	9-10
■ Maintenance	11-15
■ Troubleshooting	15
■ Exploded View and Parts List	16-17
■ Warranty.....	19
■ Parts, Ordering, and Service.....	Back page

INTRODUCTION

This product has many features for making its use more pleasant and enjoyable. Safety, performance, and dependability have been given top priority in the design of this product making it easy to maintain and operate.

GENERAL SAFETY RULES



WARNING:

Read and understand all instructions. Failure to follow all instructions listed below, may result in electric shock, fire, and/or serious personal injury.

SAVE THESE INSTRUCTIONS











- Read these instructions and the instructions for the power head thoroughly before using pruner.
- Know the tool. Read and understand the operator's manual and observe the warnings and instruction labels affixed to the tool.
- Do not allow children or untrained individuals to use this unit.
- Wear safety glasses or goggles that are marked to comply with ANSI Z87.1 standards and hearing and head protection when operating this unit.
- Wear heavy long pants, boots, and gloves. Do not wear loose fitting clothing, short pants, jewelry of any kind, or go barefoot.
- Secure long hair so it is above shoulder level to prevent entanglement in any moving parts.
- Keep all bystanders, children, and pets at least 50 ft. away.
- Stay alert, watch what you are doing, and use common sense when operating a power tool. Do not use tool while tired or under the influence of drugs, alcohol, or medication. A moment of inattention while operating power tools may result in serious personal injury.
- Do not operate in poor lighting.
- Do not overreach. Keep proper footing and balance at all times. Proper footing and balance enables better control of the tool in unexpected situations.
- Keep all parts of your body away from any moving part.
- Do not touch areas around the muffler or cylinder of the power head. These parts get hot from operation. Failure to heed this warning could result in possible serious personal injury.
- Always stop the engine and remove the spark plug wire before making any adjustments or repairs except for carburetor adjustments.
- Inspect unit before each use for loose fasteners and damaged or missing parts. Correct before using the pruner attachment. Failure to do so can cause serious injury.
- Use only original manufacturer's replacement parts. Failure to do so may cause poor performance, possible injury, and will void your warranty.
- Do not, under any circumstance, use any attachment or accessory on this product, which was not provided with the product, or identified as appropriate for use with this product in the operator's manual.
- Avoid dangerous environments. Do not use the attachment in damp or wet locations. Do not use in rain.
- Use the right attachment. Do not use attachment for any job except that for which it is intended.
- Keep hands away from cutting area. Keep hands away from blades. Do not reach underneath work or around or over the blade while blade is rotating. Do not attempt to remove cut material when blade is moving.
- Blade coasts after being turned off.

SPECIFIC SAFETY RULES

- Kickback is a dangerous reaction that can lead to serious injury. Kickback may occur when the moving chain contacts an object at the upper portion of the tip of the guide bar or when the wood closes in and pinches the chain in the cut. Contact at the upper portion of the tip of the guide bar can cause the chain to dig into the object and stop the chain for an instant. The result is a lightning fast, reverse reaction which kicks the guide bar up and back toward the operator. If the chain is pinched along the top of the guide bar, the guide bar can be driven rapidly back toward the operator. Either of these reactions can cause loss of tool control which can result in serious injury. Do not rely exclusively upon the safety devices built into the tool. As a pruner user, you should take several steps to keep your cutting jobs free from accident or injury.
- With a basic understanding of kickback, you can reduce or eliminate the element of surprise. Sudden surprise contributes to accidents.
- Make sure that the area in which you are cutting is free from obstructions. Do not let the nose of the guide bar contact a log, branch, fence, or any other obstruction while you are operating the unit.
- Always cut with the engine running at full speed. Fully squeeze the throttle trigger and maintain a steady cutting speed.
- Follow the sharpening and maintenance instructions for the chain.
- Use only the replacement guide bars and low kickback chains specified for this unit.
- Do not force tool. Use the correct tool for your application. The correct tool will do the job better and safer at the rate for which it is designed.
- Do not use on a ladder or unstable support. Stable footing on a solid surface enables better control of the tool in unexpected situations.
- Never let anyone use the tool who has not received adequate instructions in its proper use. This applies to rentals as well as private owned units and also to the power head it is attached to.
- To protect yourself from electrocution, do not operate within 50 ft. of overhead electrical lines.
- To protect yourself from falling branches, do not stand directly under the branch or limb being cut. This unit should not be held at an angle over 60° from ground level.
- Keep the handles dry, clean, and free of oil or fuel mixture.
- Before you start the engine, make sure the chain is not contacting any object.
- Shut off the engine and make sure the cutting attachment has stopped before setting the unit down.
- To prevent electrical shock or serious personal injury, do not use this product with any AC power head.
- Save these instructions. Refer to them frequently and use them to instruct others who may use this tool. If you loan someone this tool, loan them these instructions also to prevent misuse of the product and possible injury.




SYMBOLS

Some of the following symbols may be used on this tool. Please study them and learn their meaning. Proper interpretation of these symbols will allow you to operate the tool better and safer.

SYMBOL	NAME	EXPLANATION
	Safety Alert Symbol	Precautions that involve your safety.
	Read The Operator's Manual	To reduce the risk of injury, user must read and understand operator's manual before using this product.
	Eye, Hearing, and Head Protection	Wear eye, hearing, and head protection when operating this equipment.
	Keep Bystanders Away	Wear non-slip safety footwear when using this equipment.
	Gloves	Wear non-slip, heavy-duty protective gloves when handling the pole pruner attachment and the saw chain.
	Moving Parts	Keep hands away from moving parts.
	Keep Bystanders Away	Keep all bystanders at least 50 ft. (15 m) away.
	Kickback	DANGER! Beware of kickback.
	Hot Surfaces	Indicates HOT SURFACES. Keep all body parts away from all hot surfaces.
	Risk of Electrocution	DANGER! Risk of electrocution!

SYMBOLS

The following signal words and meanings are intended to explain the levels of risk associated with this product.

SYMBOL	SIGNAL	MEANING
	DANGER:	Indicates an imminently hazardous situation, which, if not avoided, will result in death or serious injury.
	WARNING:	Indicates a potentially hazardous situation, which, if not avoided, could result in death or serious injury.
	CAUTION:	Indicates a potentially hazardous situation, which, if not avoided, may result in minor or moderate injury.
	CAUTION:	(Without Safety Alert Symbol) Indicates a situation that may result in property damage.

SERVICE

Servicing requires extreme care and knowledge and should be performed only by a qualified service technician. For service we suggest you return the product to your nearest **AUTHORIZED SERVICE CENTER** for repair. When servicing, use only identical replacement parts.



WARNING:

To avoid serious personal injury, do not attempt to use this product until you read thoroughly and understand completely the operator's manual. If you do not understand the warnings and instructions in the operator's manual, do not use this product. Call Expand-it customer service for assistance.



WARNING:



The operation of any power tool can result in foreign objects being thrown into your eyes, which can result in severe eye damage. Before beginning power tool operation, always wear safety goggles or safety glasses with side shields and, when needed, a full face shield. We recommend Wide Vision Safety Mask for use over eyeglasses or standard safety glasses with side shields. Always use eye protection which is marked to comply with ANSI Z87.1.

SAVE THESE INSTRUCTIONS

FEATURES

PRODUCT SPECIFICATIONS

Bar length 10 in.
 Weight 5-1/2 lbs.

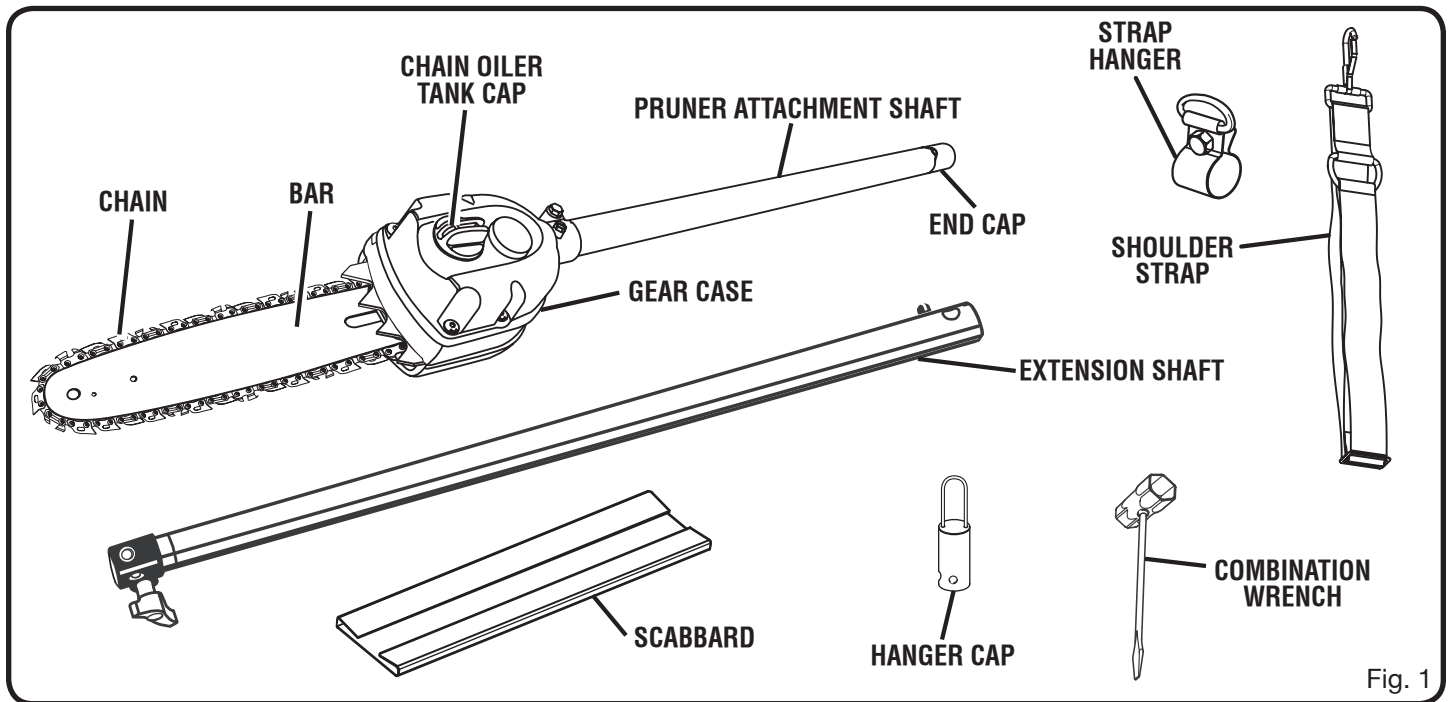


Fig. 1

KNOW YOUR PRUNER ATTACHMENT

See Figure 1.

The safe use of this product requires an understanding of the information on the tool and in this operator's manual as well as a knowledge of the project you are attempting. Before use of this product, familiarize yourself with all operating features and safety rules.

ASSEMBLY

UNPACKING

This product has been shipped completely assembled.

- Carefully remove the items from the box. Make sure that all items listed in the packing list are included.
- Inspect the product carefully to make sure no breakage or damage occurred during shipping.
- Do not discard the packing material until you have carefully inspected and satisfactorily operated the tool.
- If any parts are damaged or missing, please call 1-800-242-4672 for assistance.

PACKING LIST

Expand-it™ Pruner Attachment	Scabbard
Bar and Chain Oil	Combination Wrench
Extension Shaft	Operator's Manual
Shoulder Strap	
Strap Hanger	
Hanger Cap	

WARNING:
 If any parts are damaged or missing, do not operate this tool until the parts are replaced. Failure to heed this warning could result in serious personal injury.

WARNING:
 Do not attempt to modify this tool or create accessories not recommended for use with this tool. Any such alteration or modification is misuse and could result in a hazardous condition leading to possible serious personal injury.

WARNING:
 Do not remove the scabbard until the pruner is fully assembled and ready to use. Failure to comply could result in possible serious personal injury.

ASSEMBLY

CONNECTING POWER HEAD TO EXTENSION SHAFT AND PRUNER ATTACHMENT

See Figure 2.

The pruner attachment connects to the power head or, for extra reach, to an extension shaft by means of a coupler device.

WARNING:

Never attach or adjust any attachment while power head is running. Failure to stop the engine may cause serious personal injury.

To install the attachment:

- Loosen the knob on the coupler of the power head shaft and remove the end cap from the attachment.
- Push in the button located on the shaft of the pruner attachment.
- Align the button with the guide recess on the extension shaft coupler and slide the two shafts together. Rotate extension shaft until button locks into the positioning hole.

NOTE: The attachment should only be operated with the blade in a vertical position. If the button does not release completely in the positioning hole, the shaft is not locked into place. Slightly rotate from side to side until the button is locked into place.

- Tighten the knob securely.
- Repeat previous steps to attach extension shaft to power head.

WARNING:

Be certain the knob is fully tightened before operating equipment; check it periodically for tightness during use to avoid serious injury.

To remove:

- Loosen the knob.
- Push in the button and twist the shafts to remove and separate ends.

INSTALLING THE SHOULDER STRAP AND STRAP HANGER

See Figures 3 - 4.

When operating this unit, you must wear a shoulder strap to support the unit. If your unit does not have a strap hanger installed on the power head shaft, use the following instructions to install the hanger.

- Pull strap hanger apart and place over power head end of shaft; position near the upper knob.
- Install bolt and lock nut. Tighten nut securely.

NOTE: Check for tightness before each use to avoid serious injury or product damage.

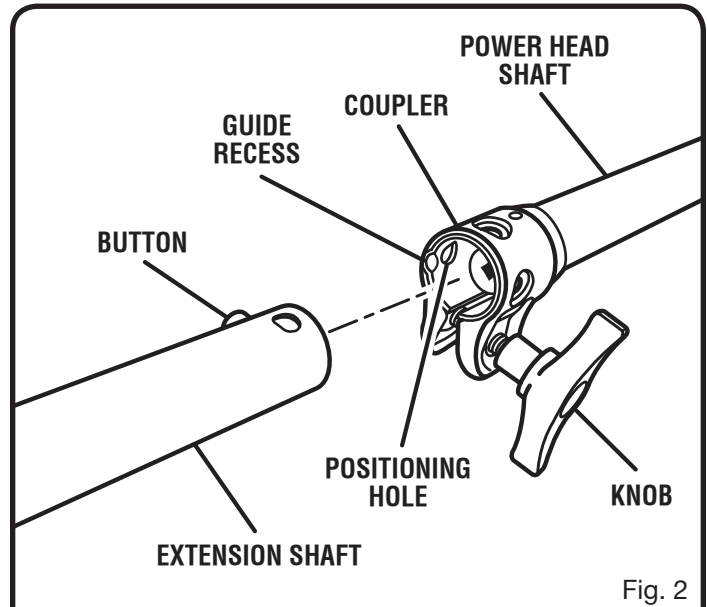


Fig. 2

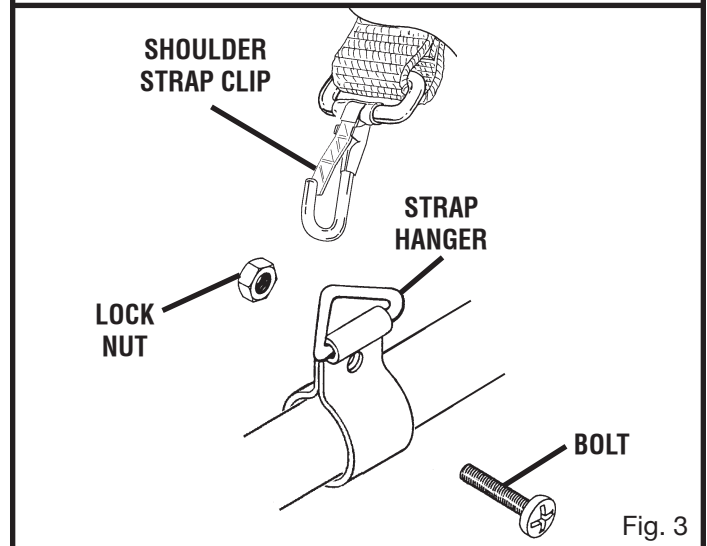


Fig. 3

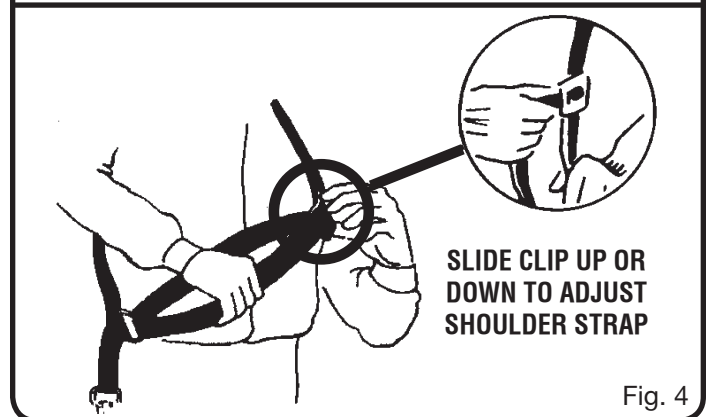


Fig. 4

- Place shoulder strap over your left shoulder and attach shoulder strap clip to strap hanger. Adjust by sliding the front clip up or down.

NOTE: When properly adjusted, the power head should be supported by the shoulder strap about hip level.

OPERATION

WARNING:

Do not allow familiarity with tools to make you careless. Remember that a careless fraction of a second is sufficient to inflict serious injury.

WARNING:

Always wear safety goggles or safety glasses with side shields when operating power tools. Failure to do so could result in objects being thrown into your eyes resulting in possible serious injury.

WARNING:

Do not use any attachments or accessories not recommended by the manufacturer of this tool. The use of attachments or accessories not recommended can result in serious personal injury.

APPLICATIONS

You may use this tool for the purposes listed below:

- Limbing
- Pruning

PREPARATION FOR CUTTING

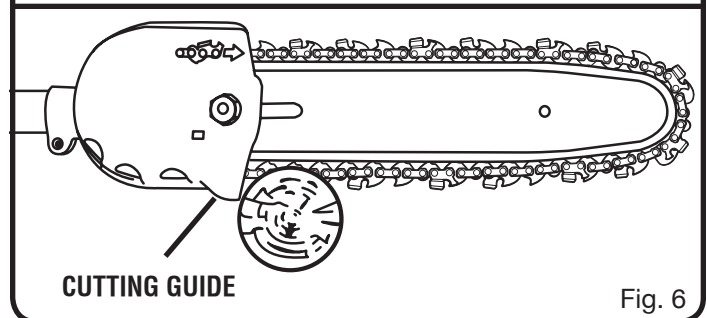
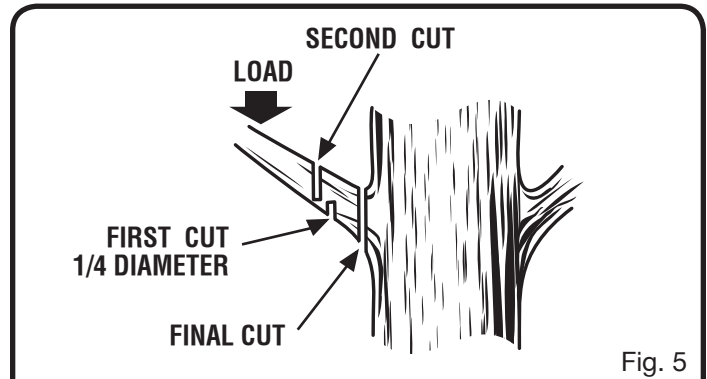
- Wear non-slip gloves for maximum grip and protection.
- Maintain a proper grip on the unit whenever the engine is running. Use your right hand to firmly grip the rear handle while your left hand has a firm grip on the front handle.
- Hold unit firmly with both hands. Always keep your left hand on the front handle and your right hand on the rear handle, so your body is to the left of the chain line. Never use a left-handed (cross-handed) grip, or any stance that places your body or arm across the chain line.
- Never stand directly under the limb you are cutting.
- Always wear shoulder strap for increased safety and to support the pruner.
- Be certain the knob is fully tightened before operating equipment; check it periodically for tightness during use to avoid serious injury.

BASIC CUTTING PROCEDURE

See Figures 5 - 6.

Follow these steps to prevent damage to tree or shrub bark. Do not use a back-and-forth sawing motion.

- Accelerate the engine to full throttle just before entering the cut by squeezing the throttle trigger. Keep the engine at full throttle the entire time you are cutting.



- Make a shallow first cut (1/4 of limb diameter) on the underside of the limb close to the main limb or trunk.
- Make a second cut from the top side of the limb outboard from the first cut.
- Make a final cut close to trunk.

NOTE: For second and final cuts (from top of limb or branch), hold front cutting guide against the limb being cut. This will help steady the limb and make it easier to cut. Allow chain to cut for you; exert only light downward pressure. If you force the cut, damage to the bar, chain, or engine can result.

- Release the trigger as soon as the cut is completed, allowing the engine to idle. If you run the pruner at full throttle without a cutting load, unnecessary wear or damage can occur to the chain, bar, and engine.

Failure to follow proper cutting procedures will result in the bar and chain binding and becoming pinched or trapped in the limb. If this should happen:

- Stop the engine.
- Loosen the knob on the coupler.
- Depress the button on the shaft; twist and pull the shafts to separate the pruner from the power head.
- If the limb can be reached from the ground, lift the limb while holding the attachment. This should release the “pinch” and free the pruner.
- If the pruner is still trapped, call a professional for assistance.
- Check the chain tension frequently when operating the unit. Refer to **Chain Tension** in the *Maintenance* section of this manual.

OPERATION

LIMBING AND PRUNING

See Figures 7 - 8.

This unit is designed for trimming small branches and limbs up to 6 in. in diameter. For best results, observe the following precautions:

- Plan the cut carefully. Be aware of the direction in which the branch will fall.
- Branches may fall in unexpected directions. Do not stand directly under the branch being cut.
- The most typical cutting application is to position the unit at an angle of 60° or less, depending on the specific situation. As the angle of the pruner shaft to ground increases, the difficulty of making the first cut (from the underside of limb) increases.
- Remove long branches in several stages.
- Cut lower branches first to allow the top branches more room to fall.
- Work slowly, keeping both hands on the tool with a firm grip. Maintain secure footing and balance.
- Keep the tree between you and the chain while limbing. Cut from side of tree opposite branch you are cutting.
- Do not cut from a ladder; this is extremely dangerous. Leave this operation for professionals.
- Do not make the flush cut next to the main limb or trunk until you have cut off the limb further out to reduce the weight. Following proper cutting procedures will prevent stripping the bark from the main member.
- Do not use the pruner for felling or bucking.
- To prevent electrocution, do not operate within 50 ft. of overhead electrical lines.
- Keep bystanders at least 50 ft. away.

POSITION FOR STARTING

See Figure 9.

Lay the pruner on the ground and ensure that no objects or obstructions are in the immediate vicinity. Make sure nothing can come in contact with the bar and chain, including dirt on the ground.

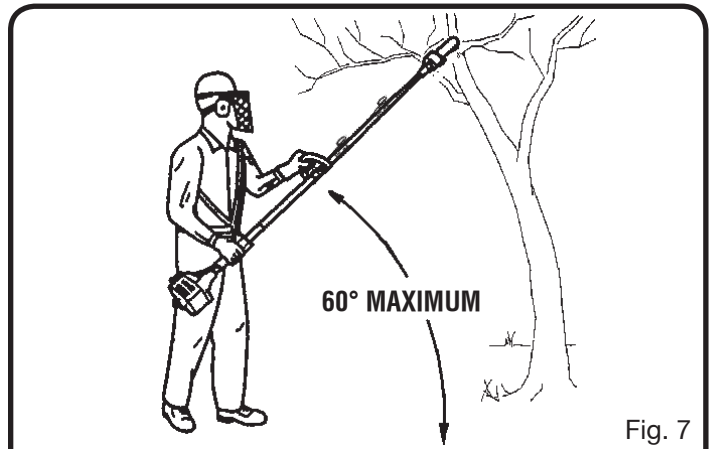


Fig. 7

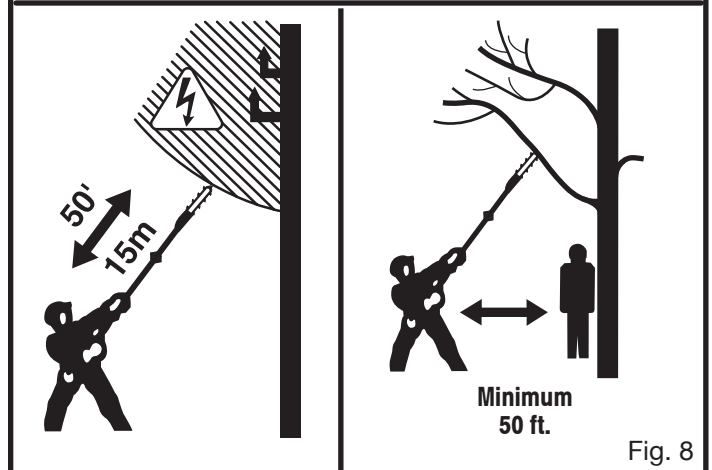


Fig. 8

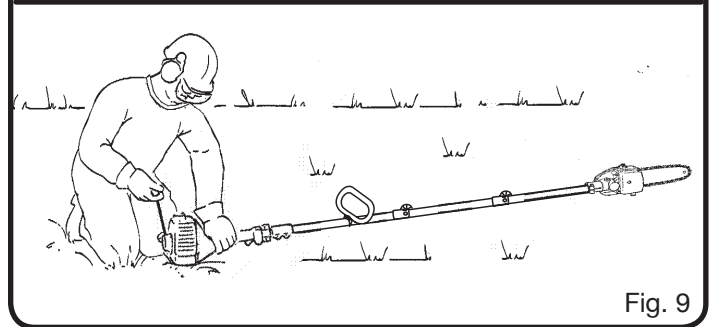


Fig. 9

MAINTENANCE

WARNING:

When servicing, use only identical replacement parts. Use of any other parts may create a hazard or cause product damage.

WARNING:

Always wear safety goggles or safety glasses with side shields during power tool operation or when blowing dust. If operation is dusty, also wear a dust mask.

WARNING:

Before inspecting, cleaning, or servicing the unit (except for carburetor adjustments), shut off engine, wait for all moving parts to stop, and disconnect spark plug wire and move it away from spark plug. Failure to follow these instructions can result in serious personal injury or property damage.

GENERAL MAINTENANCE

Avoid using solvents when cleaning plastic parts. Most plastics are susceptible to damage from various types of commercial solvents and may be damaged by their use. Use clean cloths to remove dirt, dust, oil, grease, etc.

WARNING:

Do not at any time let brake fluids, gasoline, petroleum-based products, penetrating oils, etc., come in contact with plastic parts. Chemicals can damage, weaken, or destroy plastic, which may result in serious personal injury.

Only the parts shown on the parts list are intended to be repaired or replaced by the customer. All other parts should be replaced at an authorized service center.

WARNING:

To avoid possible serious injury, never touch or adjust the chain while the motor is running. The chain is very sharp; always wear protective gloves when performing maintenance to the chain.

REPLACING THE BAR AND CHAIN

See Figures 10 - 15.

Replacement Bar Part Number: 678375001

Replacement Chain Part Number: 690583003

WARNING:

To avoid possible serious injury, stop engine before replacing the bar, chain, or performing any maintenance operation.

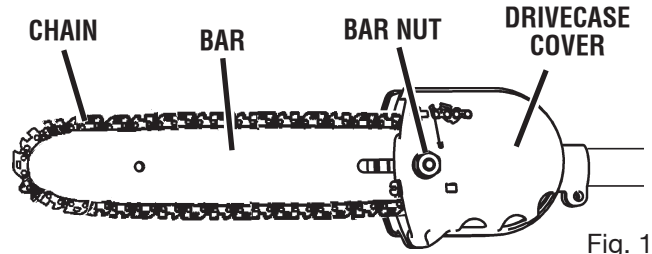


Fig. 10

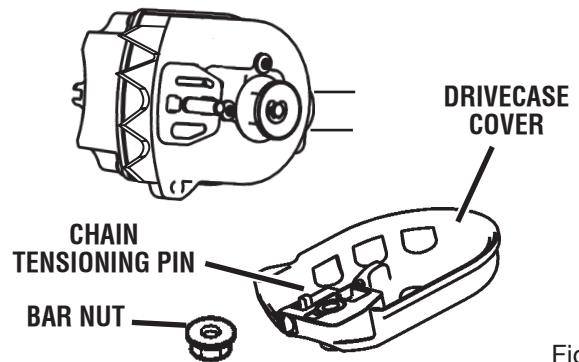


Fig. 11

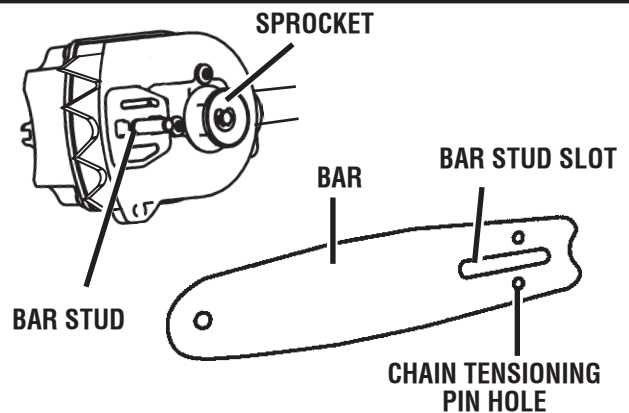


Fig. 12

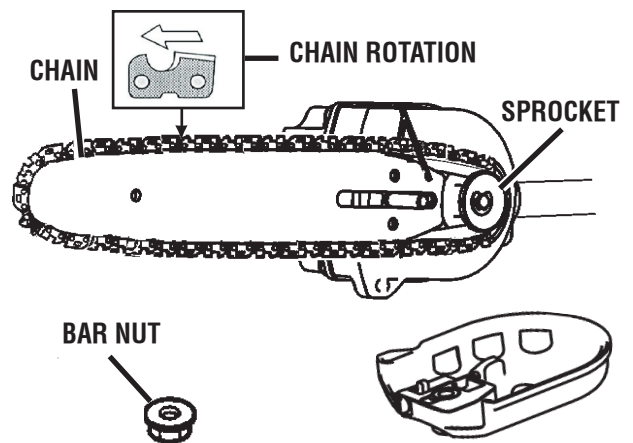


Fig. 13

- Remove the bar nut and drivecase cover.
- The bar contains a bar stud slot that fits over the bar stud.
- The bar also contains a chain tensioning pin hole which fits over the chain tensioning pin.

MAINTENANCE

- Place the bar onto the bar stud so that the chain tensioning pin fits into the chain tensioning pin hole.
- Fit the chain over the sprocket and into the bar groove. The cutters on the top of the bar should face toward the bar tip, in the direction of the chain rotation.
- Replace the drive case cover and reinstall the bar nut. Tighten the bar nut finger tight only; the bar must be free to move for tension adjustment.
- Remove all slack from chain by turning the chain tensioning screw clockwise, assuring that the chain seats into the bar groove during tensioning.
- Lift the tip of the bar up to check for sag. Release the tip of the bar, and turn the chain tensioning screw 1/2 turn clockwise. Repeat this process until sag does not exist.
- Hold the tip of the bar up and tighten the bar nut securely.
- Chain is correctly tensioned when there is no slack on the underside of the bar and the chain is snug, but can be turned by hand without binding.

NOTE: If chain is too tight, it will not rotate. Loosen the bar nut slightly and turn adjusting screw 1/4 turn counterclockwise. Lift the tip of the bar up and retighten bar nut.

⚠ WARNING:

Check the chain tension frequently when operating the unit. Never touch or adjust the chain while the engine is running. The chain is very sharp; always wear protective gloves when performing maintenance to the chain.

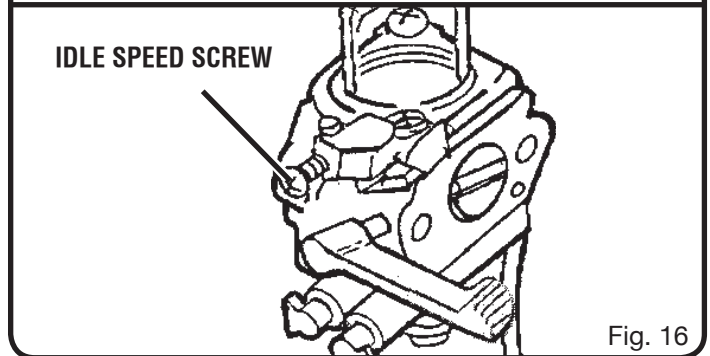
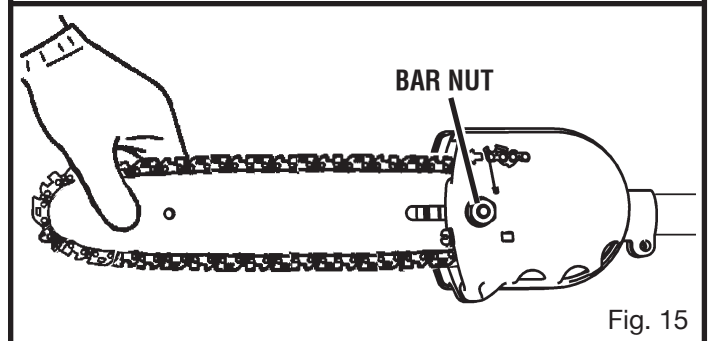
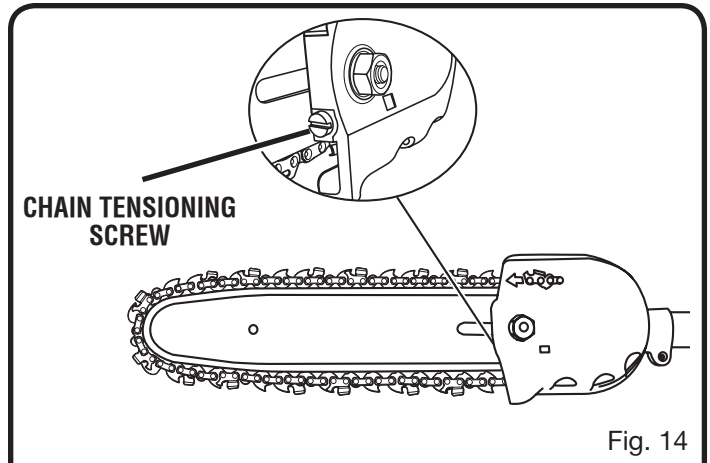
TRIMMER ENGINE IDLE SPEED ADJUSTMENT

See Figure 16.

If the chain turns at idle, the idle speed screw needs adjusting on your trimmer engine. Turn the idle speed screw counterclockwise to reduce the idle RPM and stop the chain movement. If the chain still moves at idle speed, contact a service dealer for adjustment and discontinue use until the repair is made.

⚠ WARNING:

The chain should never turn at idle. Turn the idle speed screw "T" counterclockwise to reduce the idle RPM and stop the chain, or contact a service dealer for adjustment and discontinue use until the repair is made. Serious personal injury may result from the chain turning at idle.



MAINTENANCE

CHAIN TENSION

See Figures 17 - 18.

- Stop the engine before setting the chain tension. Make sure the guide bar nut is loose to finger tight, turn the chain tensioning screw clockwise to tension the chain. Refer to **Replacing the Bar and Chain** for additional information.

A cold chain is correctly tensioned when there is no slack on the underside of the guide bar and the chain is snug, but can be turned by hand without binding.

- The chain must be re-tensioned whenever the flats on the drive links hang out of the bar groove.
- During normal operation, the temperature of the chain will increase. The drive links of a correctly tensioned warm chain will hang approximately .050 in. (1.25 mm) out of the bar groove.

NOTE: New chains tend to stretch; check chain tension frequently and tension as required.

CAUTION:

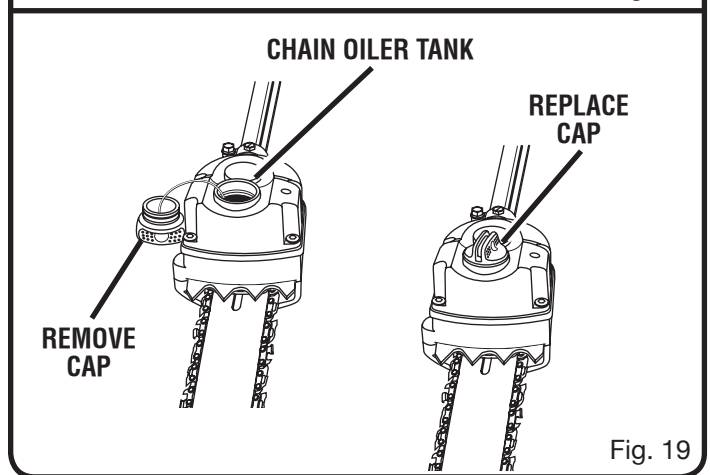
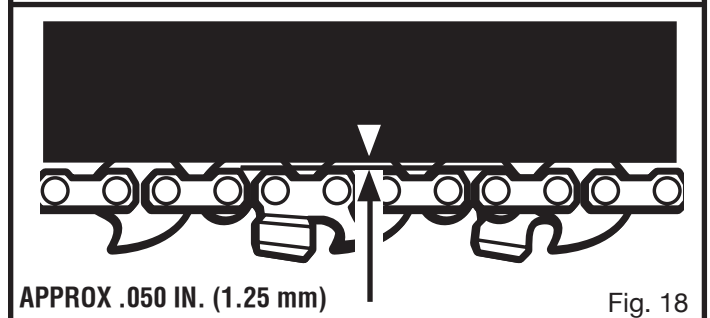
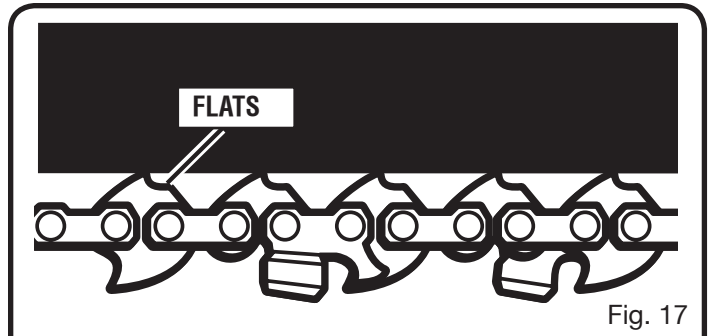
A chain tensioned while warm may be too tight upon cooling. Check the "cold tension" before next use.

CHAIN OILER

See Figure 19.

- Use Premium Bar and Chain Oil. It is designed for chains and chain oilers and is formulated to perform over a wide temperature range with no dilution required.
- Remove the cap and carefully pour approximately 8 oz. of the bar and chain oil into the chain oiler tank.
- Replace the cap and tighten securely.
- Check and refill the chain oiler tank every time the engine is fueled.

NOTE: Do not use dirty, used, or otherwise contaminated oils. Damage may occur to the oil pump, bar, or chain.



MAINTENANCE

CHAIN MAINTENANCE

See Figure 20.

⚠ WARNING:

The chain is very sharp; always wear protective gloves when performing maintenance to the chain.

Use only the replacement low kickback chain specified for this unit.

For smooth and fast cutting, the chain needs to be maintained properly. The chain requires sharpening when the wood chips are small and powdery, the chain must be forced through the wood during cutting, or the chain cuts to one side. During maintenance of the chain, consider the following:

- Improper filing angle of the side plate can increase the risk of a severe kickback.
- Depth gauge (or raker clearance) setting determines the height the cutter enters the wood and the size of the wood chip that is removed. Too much clearance increases the potential for kickback. Too little clearance decreases the size of the wood chip thus decreasing the chain's cutting ability.
- If cutter teeth have hit hard objects such as nails and stones, or have been abraded by mud or sand on the wood, have service dealer sharpen chain.

HOW TO SHARPEN THE CUTTERS

See Figures 21 - 24.

⚠ WARNING:

Improper chain sharpening increases the potential of kickback. Failure to replace or repair damaged chain can cause serious injury.

Be careful to file all cutters to the specified angles and to the same length, as fast cutting can be obtained only when all cutters are uniform.

- Tighten the chain tension enough that the chain does not wobble. Do all of your filing at the mid-point of the bar. Wear gloves for protection.
- Use a 5/32 in. diameter round file and holder.
- Keep the file level with the top plate of the tooth. Do not let the file dip or rock.
- Using light but firm pressure, stroke towards the front corner of the tooth. Lift file away from the steel on each return stroke.
- Put a few firm strokes on every tooth. File all left hand cutters in one direction. Then move to the other side and file the right hand cutters in the opposite direction. Occasionally remove filings from the file with a wire brush.

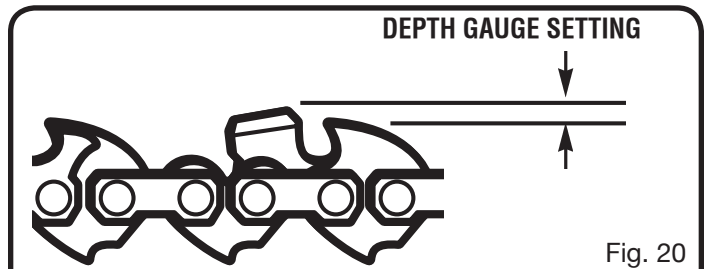


Fig. 20

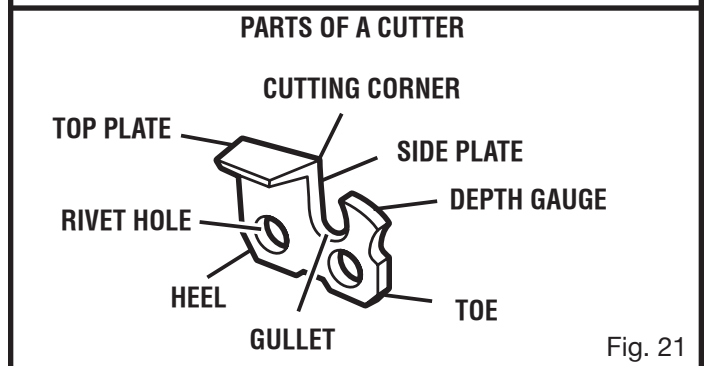


Fig. 21

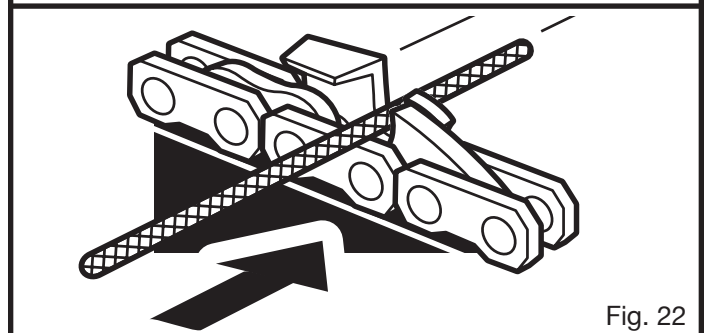


Fig. 22

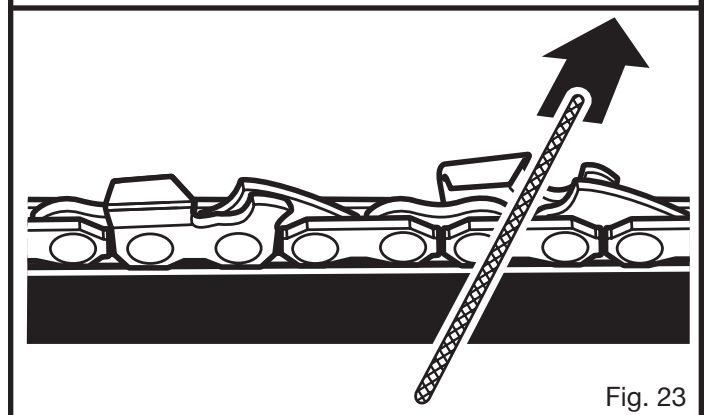


Fig. 23

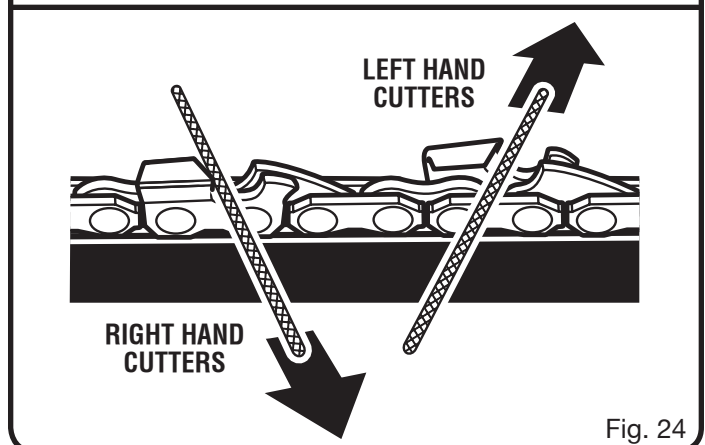


Fig. 24

MAINTENANCE

CAUTION:

Dull or improperly sharpened chain can cause excessive engine speed during cutting, which may result in severe engine damage.

ATTACHING THE STORAGE HANGER

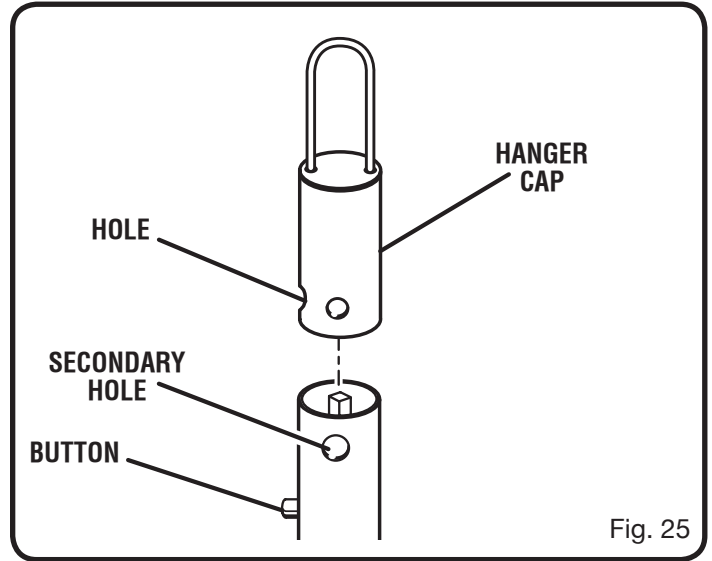
See Figure 25.

There are two ways to hang the attachment for storage.

- To use the hanger cap, push in the button and place the hanger cap over end of the lower end attachment shaft. Slightly rotate the cap from side to side until the button locks into place.
- The secondary hole in the attachment shaft can be used for hanging purposes as well.

STORING THE PRUNER

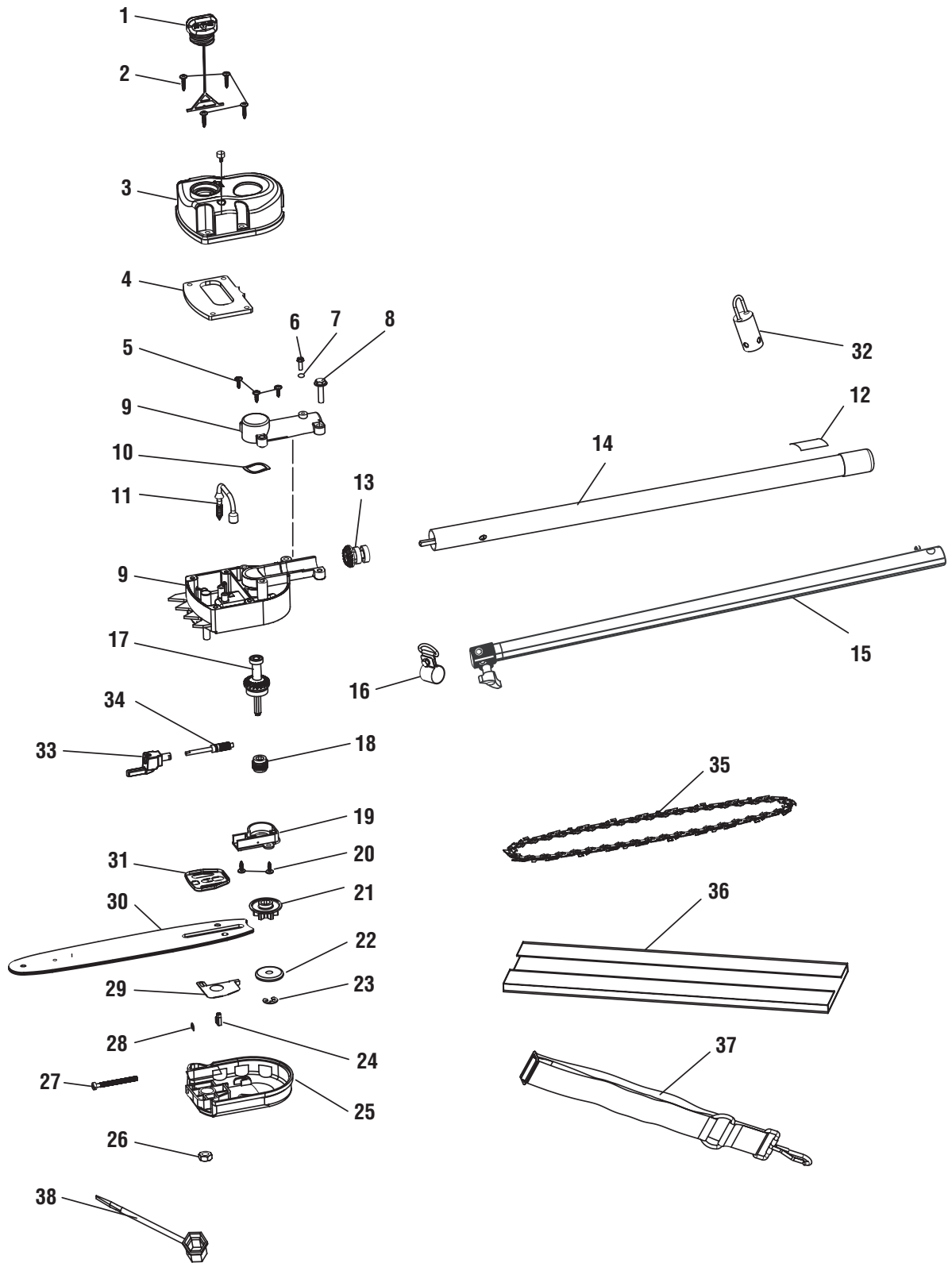
- Clean the pruner thoroughly and lubricate before storing.
- Store the pruner in a dry, well-ventilated place that is inaccessible to children.
- Keep away from corrosive agents such as garden chemicals and de-icing salts.
- Always place the scabbard on the cutting blade before storing or when the pruner is not in use.



TROUBLESHOOTING

Problem	Possible Cause	Solution
Bar and chain running hot and smoking.	Check chain tension for overtight condition. Chain oil tank empty.	Tension chain. Refer to Chain Tension earlier in this manual. Check oil tank.
Motor runs, but chain is not rotating.	Chain tension too tight. Check guide bar and chain assembly. Check guide bar and chain for damage.	Retention chain, Refer to Chain Tension earlier in this manual. Refer to Replacing the Bar and Chain earlier in this manual. Inspect guide bar and chain for damage.

EXPLODED VIEW AND PARTS LIST



EXPLODED VIEW AND PARTS LIST

Key No.	Part No.	Description	Qty.
1	300949002	Oil Cap Assembly	1
2	660934001	* Screw (M5 x 18 mm)	4
3	308512001	Oil Tank Cover Assembly	1
4	901374001	Oil Cover Gasket	1
5	660913001	* Screw (M5 x 25 mm)	3
6	660911001	* Screw (M5 x 15 mm)	1
7	678284001	Lock Washer (5 mm)	1
8	660935001	* Screw (M5 x 25 mm)	1
9	308532001	Gear Case Assembly	1
10	638277001	Wavy Washer	1
11	308513001	Oil Pickup Assembly	1
12	940657005	Warning Label	1
13	308514001	Pinion and Bearing Assembly	1
14	308511001	Lower Drive Shaft Assembly (Includes Key No. 12)	1
15	308010007	Intermediate Boom Assembly	1
16	308224001	Strap Hanger	1
17	308519001	Output Shaft Assembly	1
18	610617001	Worm Gear	1
19	308520001	Oil Pump Housing w/Cam Pin Assembly	1
20	660912001	* Screw (M5 x 13 mm)	2
21	610618001	Sprocket	1
22	631060001	Cupped Washer	1
23	678354001	E-ring (Ø6 mm)	1
24	678356001	Guide Bar Adjusting Pin	1
25	308521001	Bar Clamp Assembly	1
26	678355001	* Hex Nut (M8)	1
27	660936001	Adjustment Screw (M5 x 50 mm)	1
28	678353001	Retaining Ring (Ø4 mm)	1
29	638281001	Guide Bar Plate	1
30	678375001	Guide Bar	1
31	638282001	Bar Pad Plate	1
32	518019001	Hanger Cap	1
33	308523001	Oil Pump Seal Assembly	1
34	308524001	Pinion Gear & Plunger Assembly	1
35	690583003	Chain (10 in.)	1
36	518405001	Scabbard	1
37	308487001	Shoulder Strap Assembly	1
38	631055001	Combination Wrench	1
	983000933	Operator's Manual (961034001)	
	983000933R	Repair Sheet (961043001)	

* STANDARD HARDWARE ITEM — MAY BE PURCHASED LOCALLY

WARRANTY

LIMITED WARRANTY STATEMENT

Techtronic Industries North America, Inc., warrants to the original retail purchaser that this EXPAND-IT brand product is free from defect in material and workmanship and agrees to repair or replace, at Techtronic Industries North America, Inc.'s discretion, any defective product free of charge within these time periods from the date of purchase.

- One year for the following units: all Yard Broom, Trimlite, and Bandit models;
- Two years if the product is used for personal, family or household use;
- 90 days if used for any other purpose, such as commercial or rental.

This warranty extends to the original retail purchaser only and commences on the date of the original retail purchase.

Any part of the product found in the reasonable judgment of Techtronic Industries North America, Inc., to be defective in material or workmanship will be repaired or replaced without charge for parts and labor by an Expand-it authorized service center.

The product, including any defective part, must be returned to an Expand-it authorized service center within the warranty period. The expense of delivering the product to the service center for warranty work and the expense of returning it back to the owner after repair or replacement will be paid by the owner. Techtronic Industries North America, Inc.'s responsibility in respect to claims is limited to making the required repairs or replacements and no claim of breach of warranty shall be cause for cancellation or rescission of the contract of sale of any EXPAND-IT brand product. Proof of purchase will be required by the dealer to substantiate any warranty claim. All warranty work must be performed by an Expand-it authorized service center.

This warranty is limited to ninety (90) days from the date of original retail purchase for any EXPAND-IT brand product that is used for rental or commercial purposes, or any other income-producing purpose.

This warranty does not cover any product that has been subject to misuse, neglect, negligence, or accident, or that has been operated in any way contrary to the operating instructions as specified in this operator's manual. This warranty does not apply to any damage to the product that is the result of improper maintenance or to any product that has been altered or modified. The warranty does not extend to repairs made necessary by normal wear or by the use of parts or accessories which are either incompatible with the EXPAND-IT brand product or adversely affect its operation, performance, or durability.

In addition, this warranty does not cover:

- A. Tune-ups – Spark Plugs, Carburetor, Carburetor Adjustments, Ignition, Filters
- B. Wear items – Bump Knobs, Outer Spools, Cutting Lines, Inner Reels, Starter Pulleys, Starter Ropes, Drive Belts, Tines, Felt Washers, Hitch Pins, Mulching Blades, Blower Fans, Blower and Vacuum Tubes, Vacuum Bags and Straps, Guide Bars, Saw Chains

Techtronic Industries North America, Inc., reserves the right to change or improve the design of any EXPAND-IT brand product without assuming any obligation to modify any product previously manufactured.

ALL IMPLIED WARRANTIES ARE LIMITED IN DURATION TO THE STATED WARRANTY PERIOD. ACCORDINGLY, ANY SUCH IMPLIED WARRANTIES INCLUDING MERCHANTABILITY, FITNESS FOR A PARTICULAR PURPOSE, OR OTHERWISE, ARE DISCLAIMED IN THEIR ENTIRETY AFTER THE EXPIRATION OF THE APPROPRIATE TWO-YEAR, ONE-YEAR, OR NINETY-DAY WARRANTY PERIOD. TECHTRONIC INDUSTRIES NORTH AMERICA, INC.'S OBLIGATION UNDER THIS WARRANTY IS STRICTLY AND EXCLUSIVELY LIMITED TO THE REPAIR OR REPLACEMENT OF DEFECTIVE PARTS AND TECHTRONIC INDUSTRIES NORTH AMERICA, INC., DOES NOT ASSUME OR AUTHORIZE ANYONE TO ASSUME FOR THEM ANY OTHER OBLIGATION. SOME STATES DO NOT ALLOW LIMITATIONS ON HOW LONG AN IMPLIED WARRANTY LASTS, SO THE ABOVE LIMITATION MAY NOT APPLY TO YOU. TECHTRONIC INDUSTRIES NORTH AMERICA, INC., ASSUMES NO RESPONSIBILITY FOR INCIDENTAL, CONSEQUENTIAL, OR OTHER DAMAGES INCLUDING, BUT NOT LIMITED TO, EXPENSE OF RETURNING THE PRODUCT TO AN EXPAND-IT AUTHORIZED SERVICE CENTER AND EXPENSE OF DELIVERING IT BACK TO THE OWNER, MECHANIC'S TRAVEL TIME, TELEPHONE OR TELEGRAM CHARGES, RENTAL OF A LIKE PRODUCT DURING THE TIME WARRANTY SERVICE IS BEING PERFORMED, TRAVEL, LOSS OR DAMAGE TO PERSONAL PROPERTY, LOSS OF REVENUE, LOSS OF USE OF THE PRODUCT, LOSS OF TIME, OR INCONVENIENCE. SOME STATES DO NOT ALLOW THE EXCLUSION OR LIMITATION OF INCIDENTAL OR CONSEQUENTIAL DAMAGES, SO THE ABOVE LIMITATION OR EXCLUSION MAY NOT APPLY TO YOU.

This warranty gives you specific legal rights, and you may also have other rights which vary from state to state.

This warranty applies to all EXPAND-IT brand products manufactured by or for Techtronic Industries North America, Inc., and sold in the United States and Canada.

To locate your nearest Expand-it authorized service center, dial 1-800-242-4672.

OPERATOR'S MANUAL

Expand-it™

Pruner Attachment

UT15520C



SERVICE

For parts or service, contact your nearest Expand-it™ authorized service center. Be sure to provide all relevant information when you call or visit. For the location of the authorized service center nearest you, please call 1-800-242-4672 or visit us online at www.homelite.com.

REPAIR PARTS

The model number of this tool is found on a plate or label attached to the housing. Please record the serial number in the space provided below.

MODEL NUMBER **UT15520C**

SERIAL NUMBER _____

TECHTRONIC INDUSTRIES NORTH AMERICA, INC.

1428 Pearman Dairy Road
Anderson, SC 29625
Phone 1-800-242-4672