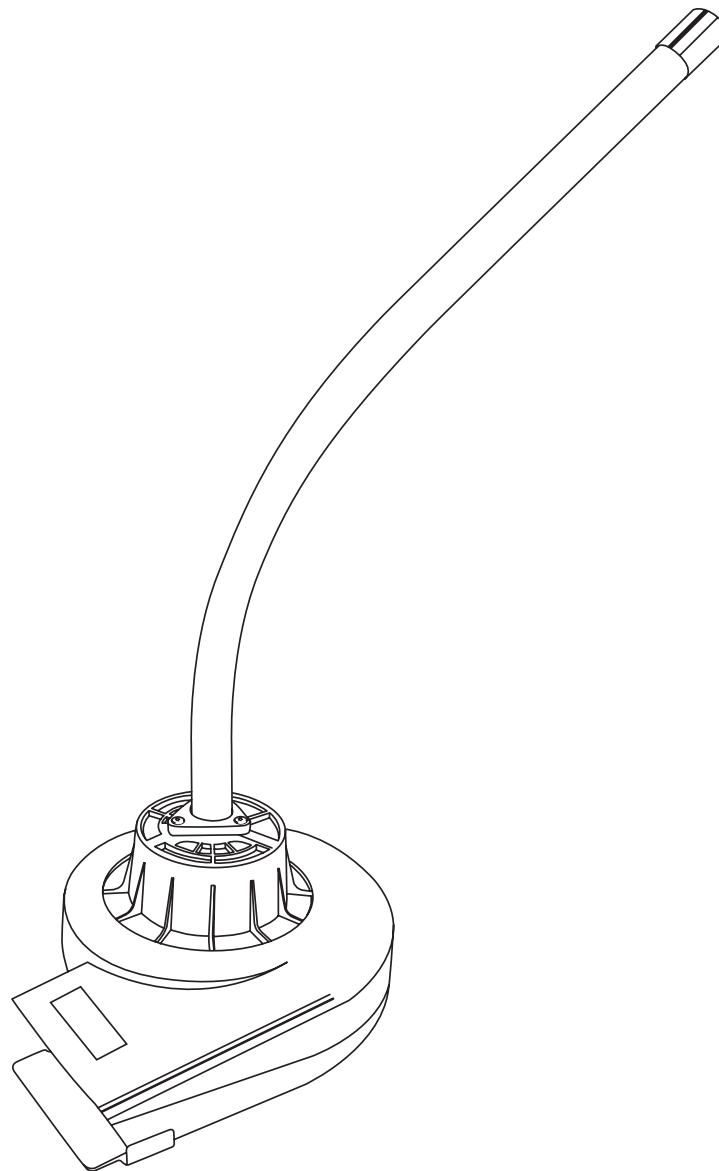


# OPERATOR'S MANUAL

Expand-it™

Blower Attachment

UT15519E



Your Expand-it™ Blower Attachment has been engineered and manufactured to a high standard for dependability, ease of operation, and operator safety. When properly cared for, it will give you years of rugged, trouble-free performance.



**WARNING:** To reduce the risk of injury, the user must read and understand the operator's manual before using this product.

Thank you for buying an Expand-it™ Product.

---

**SAVE THIS MANUAL FOR FUTURE REFERENCE**

---

# TABLE OF CONTENTS

---

- Introduction..... 2
- General Safety Rules ..... 3
- Specific Safety Rules..... 3
- Symbols ..... 4
- Features ..... 5
- Assembly ..... 6
- Operation ..... 7
- Maintenance ..... 8
- Exploded View and Parts List..... 9
- Warranty..... 11
- Parts, Ordering, and Service..... Back page

# INTRODUCTION

---

This product has many features for making its use more pleasant and enjoyable. Safety, performance, and dependability have been given top priority in the design of this product making it easy to maintain and operate.

# GENERAL SAFETY RULES

---



## **WARNING:**

**Read and understand all instructions.** Failure to follow all instructions listed below, may result in electric shock, fire, and/or serious personal injury.

## **SAVE THESE INSTRUCTIONS**

- Read these instructions and the instructions for the power head thoroughly before using the blower attachment.
- Know the tool. Read and understand the operator's manual and observe the warnings and instruction labels affixed to the tool.
- Do not allow children or untrained individuals to use this unit.
- Wear safety glasses or goggles that are marked to comply with ANSI Z87.1 standards and hearing protection when operating this unit.
- Wear heavy long pants, boots, and gloves. Do not wear loose fitting clothing, short pants, jewelry of any kind, or go barefoot.
- Secure long hair so it is above shoulder level to prevent entanglement in any moving parts.
- Keep all bystanders, children, and pets at least 50 ft. away.
- Stay alert, watch what you are doing, and use common sense when operating a power tool. Do not use tool while tired or under the influence of drugs, alcohol, or medication. A moment of inattention while operating power tools may result in serious personal injury.

- Do not operate in poor lighting.
- Do not overreach. Keep proper footing and balance at all times. Proper footing and balance enables better control of the tool in unexpected situations.
- Keep all parts of your body away from any moving part.
- Do not touch areas around the muffler or cylinder of the power head. These parts get hot from operation. Failure to heed this warning could result in possible serious personal injury.
- Always stop the engine and remove the spark plug wire before making any adjustments or repairs.
- Inspect unit before each use for loose fasteners and damaged or missing parts. Correct before using the blower attachment. Failure to do so can cause serious injury.
- Use only identical manufacturer's replacement parts and accessories. Use of any other parts may create a hazard or cause product damage.
- Do not, under any circumstance, use any attachment or accessory on this product, which was not provided with the product, or identified as appropriate for use with this product in the operator's manual.
- Avoid dangerous environments. Do not use the attachment in damp or wet locations. Do not use in rain.
- Use the right attachment. Do not use attachment for any job except that for which it is intended.







# SPECIFIC SAFETY RULES

---




- Wear a face filter mask in dusty conditions to reduce the risk of injury associated with the inhalation of dust.
- Check the work area before each use. Remove all objects such as rocks, broken glass, nails, wire, or string which can be thrown or become entangled in the machine.
- To reduce the risk of hearing loss associated with sound level(s), hearing protection is required.
- Never direct air blast towards any persons, animals, plants, or delicate objects.
- Keep air intake clear of debris.
- Always stay clear of air intake while blower is running.
- Do not point blower in direction of people or pets.
- To prevent electrical shock or serious personal injury, do not use this product with any AC power head.
- Save these instructions. Refer to them frequently and use them to instruct others who may use this tool. If you loan someone this tool, loan them these instructions also to prevent misuse of the product and possible injury.

# SYMBOLS

Some of the following symbols may be used on this tool. Please study them and learn their meaning. Proper interpretation of these symbols will allow you to operate the tool better and safer.

SYMBOL	NAME	EXPLANATION
	Safety Alert Symbol	Precautions that involve your safety.
	Read The Operator's Manual	To reduce the risk of injury, user must read and understand operator's manual before using this product.
	Eye and Hearing Protection	Wear eye and hearing protection when operating this equipment.
	Keep Bystanders Away	Keep all bystanders at least 50 ft. away.
	Long Hair	Failure to keep long hair away from the air inlet could result in personal injury.
	Loose Clothing	Failure to keep loose clothing from being drawn into air intake could result in personal injury.

The following signal words and meanings are intended to explain the levels of risk associated with this product.

SYMBOL	SIGNAL	MEANING
	<b>DANGER:</b>	Indicates an imminently hazardous situation, which, if not avoided, will result in death or serious injury.
	<b>WARNING:</b>	Indicates a potentially hazardous situation, which, if not avoided, could result in death or serious injury.
	<b>CAUTION:</b>	Indicates a potentially hazardous situation, which, if not avoided, may result in minor or moderate injury.
	<b>CAUTION:</b>	(Without Safety Alert Symbol) Indicates a situation that may result in property damage.

## SERVICE

Servicing requires extreme care and knowledge and should be performed only by a qualified service technician. For service we suggest you return the product to your nearest **AUTHORIZED SERVICE CENTER** for repair. When servicing, use only identical replacement parts.

### **WARNING:**

To avoid serious personal injury, do not attempt to use this product until you read thoroughly and understand completely the operator's manual. If you do not understand the warnings and instructions in the operator's manual, do not use this product. Call Expand-it customer service for assistance.

### **WARNING:**



The operation of any power tool can result in foreign objects being thrown into your eyes, which can result in severe eye damage. Before beginning power tool operation, always wear safety goggles or safety glasses with side shields and, when needed, a full face shield. We recommend Wide Vision Safety Mask for use over eye-glasses or standard safety glasses with side shields. Always use eye protection which is marked to comply with ANSI Z87.1.

## SAVE THESE INSTRUCTIONS

# FEATURES

## PRODUCT SPECIFICATIONS

Weight .....	4 lbs.
Air Velocity:	
MPH .....	150
CFM .....	279

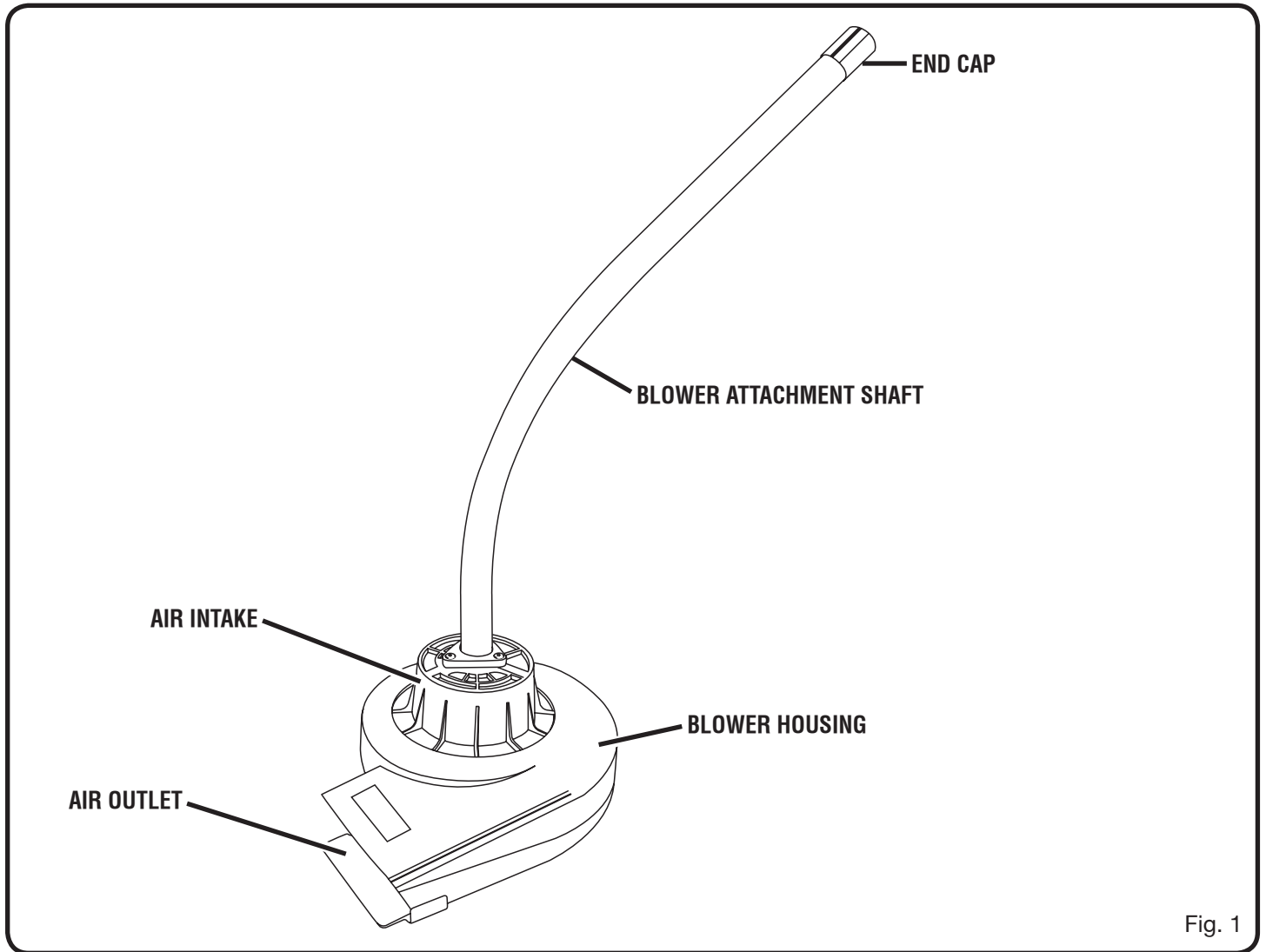


Fig. 1

## KNOW YOUR BLOWER ATTACHMENT

See Figure 1.

The safe use of this product requires an understanding of the information on the tool and in this operator's manual as well as a knowledge of the project you are attempting. Before use of this product, familiarize yourself with all operating features and safety rules.

# ASSEMBLY

## UNPACKING

This product requires assembly.

- Carefully remove the items from the box. Make sure that all items listed in the packing list are included.
- Inspect the product carefully to make sure no breakage or damage occurred during shipping.
- Do not discard the packing material until you have carefully inspected and satisfactorily operated the tool.
- If any parts are damaged or missing, please call 1-800-242-4672 for assistance.

## PACKING LIST

Expand-it™ Blower Attachment

Hanger Cap

Operator's Manual

### **!** WARNING:

If any parts are damaged or missing, do not operate this tool until the parts are replaced. Failure to heed this warning could result in serious personal injury.

### **!** WARNING:

Do not attempt to modify this tool or create accessories not recommended for use with this tool. Any such alteration or modification is misuse and could result in a hazardous condition leading to possible serious personal injury.

## JOINING THE POWER HEAD TO THE BLOWER ATTACHMENT

See Figure 2.

### **!** WARNING:

Never attach or adjust any attachment while power head is running. Failure to stop the engine may cause serious personal injury.

The blower attachment connects to the power head by means of a coupler device.

- Loosen the knob on the coupler of the power head shaft and remove the end cap from the attachment shaft.

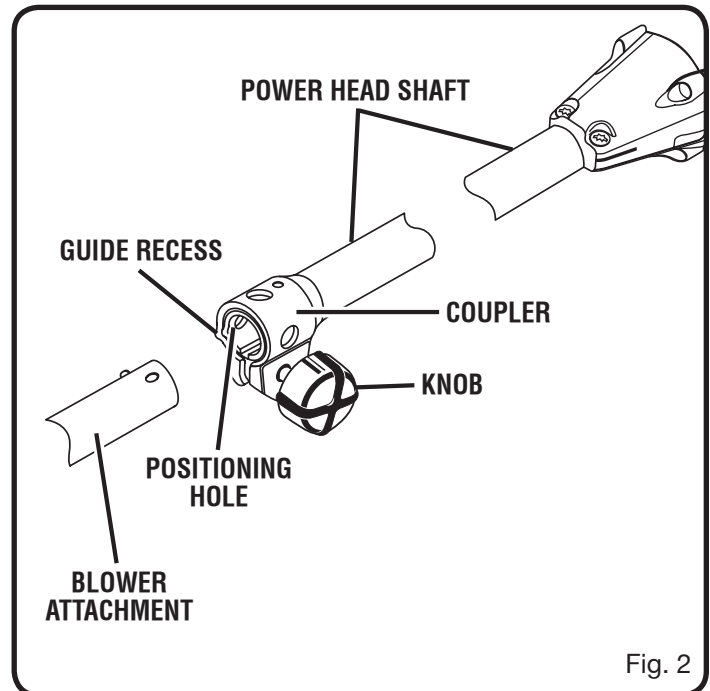


Fig. 2

- Push in the button located on the blower attachment. Align the button with the guide recess on the power head coupler and slide the two shafts together. Rotate attachment shaft until button locks into the positioning hole.

**NOTE:** If the button does not release completely in the positioning hole, the shaft is not locked into place. Slightly rotate from side to side until the button is locked into place.

- Tighten the knob securely.

### **!** WARNING:

Be certain the knob is fully tightened before operating equipment. Check it periodically for tightness during use to avoid serious injury.

## REMOVING THE ATTACHMENT FROM THE POWER HEAD

For removing or changing the attachment:

- Loosen the knob.
- Push in the button and twist the shafts to remove and separate ends.

# OPERATION

## **⚠ WARNING:**

Do not allow familiarity with tools to make you careless. Remember that a careless fraction of a second is sufficient to inflict serious injury.

## **⚠ WARNING:**

Always wear safety goggles or safety glasses with side shields when operating power tools. Failure to do so could result in objects being thrown into your eyes resulting in possible serious injury.

## **⚠ WARNING:**

Do not use any attachments or accessories not recommended by the manufacturer of this tool. The use of attachments or accessories not recommended can result in serious personal injury.

## APPLICATIONS

You may use this tool for the purposes listed below:

- Clearing leaves and other debris from your lawn
- Keeping decks and driveways free from leaves and pine needles

## USING THE BLOWER ATTACHMENT

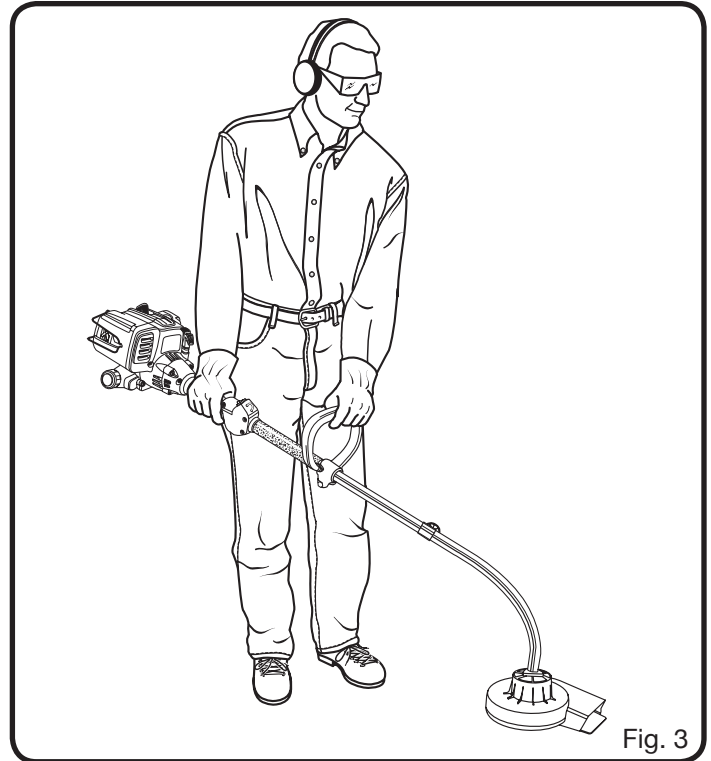
See Figure 3.

When using the blower attachment, hold the unit with your right hand on the rear handle and your left hand on the front handle. Keep a firm grip with both hands while in operation. The blower should be held at a comfortable position with the rear handle about hip height.

**NOTE:** Carry the unit slightly above ground level. Do not drag or push it along on the ground as the housing will wear quickly.

## OPERATING TIPS

- So that you may become accustomed to the blower operation, start the engine and let it warm up. At idle, you will find that no air is moving because the clutch is disengaged. As you gradually increase the engine speed to full throttle, you will find that the air force increases also.



- The blower produces a strong air blast when operated at full speed and the air force is directly controlled by the engine speed.
- In many situations it is not necessary to use the full power of the blower; in fact it is not advisable in some applications. When using the blower in tight quarters, such as corners of patios and garages, full power is not usually required. A somewhat slower speed will do the same job effectively without the turbulence created by full power operation. This turbulence only carries the blown material back into the corner and produces floating dust.
- To keep from scattering debris, blow around the outer edges of a debris pile. Never blow directly into the center of a pile.
- You will find that it is no longer necessary to move objects to effectively clean around them. A simple blast from the blower will move debris from those difficult to reach and often impossible to clean areas.
- The ground level air blast is ideal for practically all sweeping jobs.

# MAINTENANCE

## **WARNING:**

When servicing, use only identical replacement parts. Use of any other parts may create a hazard or cause product damage.

## **WARNING:**

Always wear safety goggles or safety glasses with side shields during tool operation. If operation is dusty, also wear a dust mask.

## **WARNING:**

Before inspecting, cleaning, or servicing the machine, shut off engine, wait for all moving parts to stop, and disconnect spark plug wire and move it away from spark plug. Failure to follow these instructions can result in serious personal injury or property damage.

## GENERAL MAINTENANCE

Avoid using solvents when cleaning plastic parts. Most plastics are susceptible to damage from various types of commercial solvents and may be damaged by their use. Use clean cloths to remove dirt, dust, oil, grease, etc.

## **WARNING:**

Do not at any time let brake fluids, gasoline, petroleum-based products, penetrating oils, etc., come in contact with plastic parts. Chemicals can damage, weaken or destroy plastic which may result in serious personal injury.

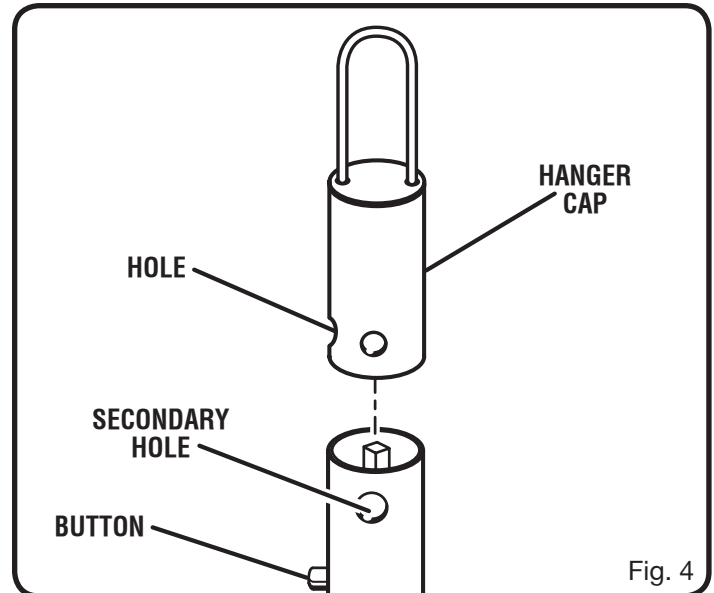
You can often make adjustments and repairs described here. For other repairs, have the tool serviced by an authorized service dealer.

## ATTACHING THE STORAGE HANGER

See Figure 4.

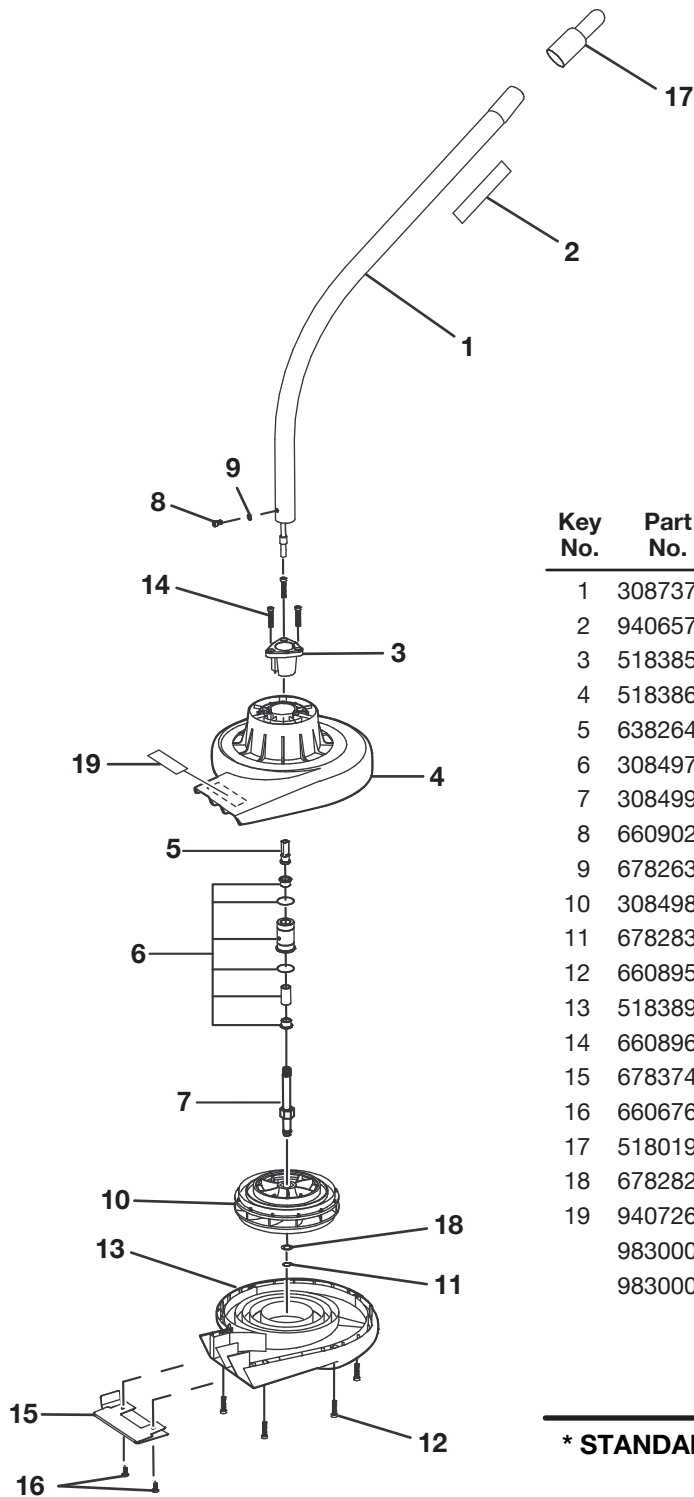
There are two ways to hang the attachment for storage.

- To use the hanger cap, push in the button and place the hanger cap over end of the lower end attachment shaft. Slightly rotate the cap from side to side until the button locks into place.
- The secondary hole in the attachment shaft can be used for hanging purposes as well.





# EXPLODED VIEW AND PARTS LIST



Key No.	Part No.	Description	Qty.
1	308737001	Drive Shaft Housing Assembly (Incl. Key No. 2) .....	1
2	940657007	Warning Label .....	1
3	518385001	Clamp .....	1
4	518386001	Upper Housing .....	1
5	638264001	Adapter-arbor .....	1
6	308497001	Bushing Assembly.....	1
7	308499001	Shaft Arbor .....	1
8	660902001	* Screw (M5 x 6 mm) .....	1
9	678263001	Lock Washer .....	1
10	308498001	Impeller Assembly.....	1
11	678283001	C-ring .....	1
12	660895001	* Screw (M4.2 x 19 mm Pan Hd.) .....	5
13	518389001	Lower Housing .....	1
14	660896001	* Screw (M4.8 x 26 mm T.F.) .....	3
15	678374001	Lower Housing Guard .....	1
16	660676001	* Screw (M4.2 x 12 mm) .....	2
17	518019001	Hanger Cap.....	1
18	678282001	Washer .....	1
19	940726002	Expand-It Label.....	1
	983000932	Operator's Manual.....	1
	983000932R	Repair Sheet	

**\* STANDARD HARDWARE ITEM — MAY BE PURCHASED LOCALLY**



# WARRANTY

---

## LIMITED WARRANTY STATEMENT

Techtronic Industries North America, Inc., warrants to the original retail purchaser that this EXPAND-IT brand product is free from defect in material and workmanship and agrees to repair or replace, at Techtronic Industries North America, Inc.'s discretion, any defective product free of charge within these time periods from the date of purchase.

- One year for the following units: all Yard Broom, Trimlite, and Bandit models;
- Two years if the product is used for personal, family or household use;
- 90 days if used for any other purpose, such as commercial or rental.

This warranty extends to the original retail purchaser only and commences on the date of the original retail purchase.

Any part of the product found in the reasonable judgment of Techtronic Industries North America, Inc., to be defective in material or workmanship will be repaired or replaced without charge for parts and labor by an Expand-it authorized service center.

The product, including any defective part, must be returned to an Expand-it authorized service center within the warranty period. The expense of delivering the product to the service center for warranty work and the expense of returning it back to the owner after repair or replacement will be paid by the owner. Techtronic Industries North America, Inc.'s responsibility in respect to claims is limited to making the required repairs or replacements and no claim of breach of warranty shall be cause for cancellation or rescission of the contract of sale of any EXPAND-IT brand product. Proof of purchase will be required by the dealer to substantiate any warranty claim. All warranty work must be performed by an Expand-it authorized service center.

This warranty is limited to ninety (90) days from the date of original retail purchase for any EXPAND-IT brand product that is used for rental or commercial purposes, or any other income-producing purpose.

This warranty does not cover any product that has been subject to misuse, neglect, negligence, or accident, or that has been operated in any way contrary to the operating instructions as specified in this operator's manual. This warranty does not apply to any damage to the product that is the result of improper maintenance or to any product that has been altered or modified. The warranty does not extend to repairs made necessary by normal wear or by the use of parts or accessories which are either incompatible with the EXPAND-IT brand product or adversely affect its operation, performance, or durability.

In addition, this warranty does not cover:

- A. Tune-ups – Spark Plugs, Carburetor, Carburetor Adjustments, Ignition, Filters
- B. Wear items – Bump Knobs, Outer Spools, Cutting Lines, Inner Reels, Starter Pulleys, Starter Ropes, Drive Belts, Tines, Felt Washers, Hitch Pins, Mulching Blades, Blower Fans, Blower and Vacuum Tubes, Vacuum Bags and Straps, Guide Bars, Saw Chains

Techtronic Industries North America, Inc., reserves the right to change or improve the design of any EXPAND-IT brand product without assuming any obligation to modify any product previously manufactured.

ALL IMPLIED WARRANTIES ARE LIMITED IN DURATION TO THE STATED WARRANTY PERIOD. ACCORDINGLY, ANY SUCH IMPLIED WARRANTIES INCLUDING MERCHANTABILITY, FITNESS FOR A PARTICULAR PURPOSE, OR OTHERWISE, ARE DISCLAIMED IN THEIR ENTIRETY AFTER THE EXPIRATION OF THE APPROPRIATE TWO-YEAR, ONE-YEAR, OR NINETY-DAY WARRANTY PERIOD. TECHTRONIC INDUSTRIES NORTH AMERICA, INC.'S OBLIGATION UNDER THIS WARRANTY IS STRICTLY AND EXCLUSIVELY LIMITED TO THE REPAIR OR REPLACEMENT OF DEFECTIVE PARTS AND TECHTRONIC INDUSTRIES NORTH AMERICA, INC., DOES NOT ASSUME OR AUTHORIZE ANYONE TO ASSUME FOR THEM ANY OTHER OBLIGATION. SOME STATES DO NOT ALLOW LIMITATIONS ON HOW LONG AN IMPLIED WARRANTY LASTS, SO THE ABOVE LIMITATION MAY NOT APPLY TO YOU. TECHTRONIC INDUSTRIES NORTH AMERICA, INC., ASSUMES NO RESPONSIBILITY FOR INCIDENTAL, CONSEQUENTIAL, OR OTHER DAMAGES INCLUDING, BUT NOT LIMITED TO, EXPENSE OF RETURNING THE PRODUCT TO AN EXPAND-IT AUTHORIZED SERVICE CENTER AND EXPENSE OF DELIVERING IT BACK TO THE OWNER, MECHANIC'S TRAVEL TIME, TELEPHONE OR TELEGRAM CHARGES, RENTAL OF A LIKE PRODUCT DURING THE TIME WARRANTY SERVICE IS BEING PERFORMED, TRAVEL, LOSS OR DAMAGE TO PERSONAL PROPERTY, LOSS OF REVENUE, LOSS OF USE OF THE PRODUCT, LOSS OF TIME, OR INCONVENIENCE. SOME STATES DO NOT ALLOW THE EXCLUSION OR LIMITATION OF INCIDENTAL OR CONSEQUENTIAL DAMAGES, SO THE ABOVE LIMITATION OR EXCLUSION MAY NOT APPLY TO YOU.

This warranty gives you specific legal rights, and you may also have other rights which vary from state to state.

This warranty applies to all EXPAND-IT brand products manufactured by or for Techtronic Industries North America, Inc., and sold in the United States and Canada.

To locate your nearest Expand-it authorized service center, dial 1-800-242-4672.

