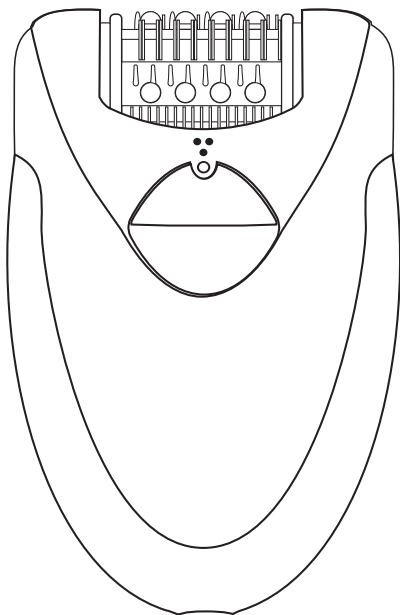


Rowenta

EXPERTISE

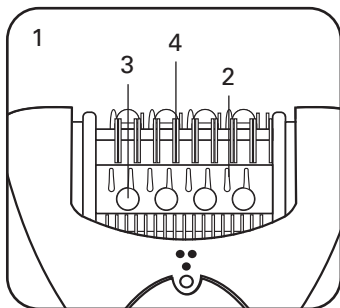
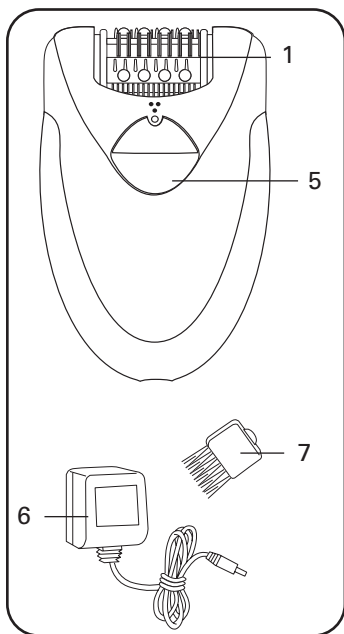


1- DESCRIPTION OF YOUR APPLIANCE

1. Depilator head
2. Hair guides
3. Massaging beads
4. Tweezers
5. 2-speed-and stop switch
6. Adaptor
7. Cleaning brush

Pain-free function:

Your appliance is equipped with a roller beads massaging system integrated into the depilation head. The roller beads massage the skin to reduce the sensation of pain linked to depilation.

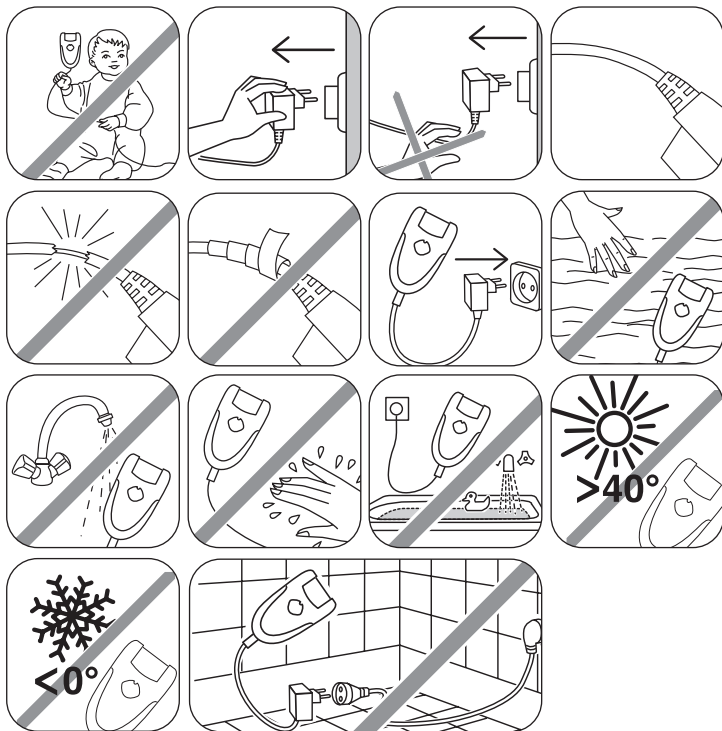


2 - SAFETY



Voltage : Ensure that this voltage corresponds to that of your mains supply. Incorrect connection may cause irreparable damage which is not covered by the guarantee.

- This appliance is intended for personal domestic use only.
- It must only be used with the enclosed adaptor EM2A1 or EM2A2.
- Never use if the appliance (depilator or adaptor) is damaged or in the event of any damage caused by dropping the appliance (invisible damage may be dangerous).
- This appliance can only be repaired using special tools. In the event of any after sales problem (depilator, adaptor), please consult an approved service agent (see enclosed leaflet).
- We decline any responsibility for damage arising from incorrect use of the appliance or use of the appliance in any way other than that specified in these instructions.
- When the depilator is in use, it must not come into contact with eyelashes, hair, clothes or any other objects, in order to avoid any danger of injury or blockage.
- Do not use the depilator:
 - on your face
 - on broken, burnt or sore skin
 - on sensitive areas (varicose veins, moles, birthmarks, warts...)
 - if you suffer from skin complaints, (eczema, inflammations, acne...)
- For hygiene reasons, it is advised that you do not allow anyone else to use your appliance.
- Keep a careful eye on the appliance if used on, or in the presence of children or invalids.

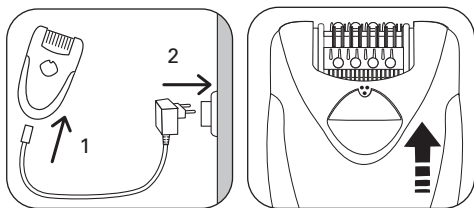


3. PREPARATION OF THE SKIN

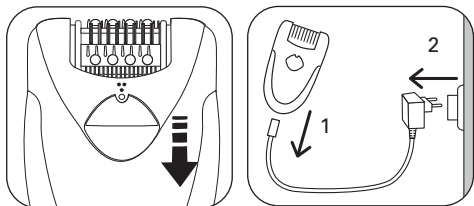
- Your skin must be clean and dry.
- Do not apply either cream or hydrating milk before depilation.
- If you previously used a razor for depilation:
 - the first few times you use the depilator, your skin may feel more sensitive, as shaving has made your hair thicker and stronger. This sensation will lessen the more you use your depilator : the hair will grow back less quickly and become thinner.
- Your depilator will be much more effective and easier to use if you use it regularly.

We advise you to use your depilator as soon as your hair starts to grow back.

4. CONNECTION

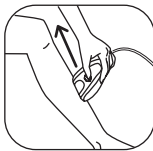
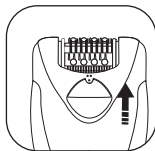


5. STOPPING THE APPLIANCE

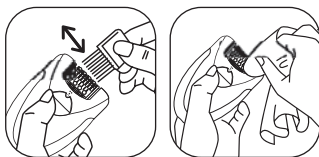


6. LEG HAIR REMOVAL

- Move the switch to the on position “••”
- The switch must always remain visible during use.
- Shave against the lie of the hair, slowly and without pressing, with the shaver perpendicular to your skin.



7. CLEANING THE APPLIANCE



- For more thorough cleaning, clean the tweezers with a cloth soaked in alcohol, turning the depilation head manually.



8. SKIN CARE

Small red spots may appear. They will disappear quickly. For s preferable to use your depilator in the evening.
If necessary, apply calming cream after depilation.

9. PROTECTION OF THE ENVIRONMENT

At the end of the life of your product, it should go to a specially-adapted waste recycling centre.

