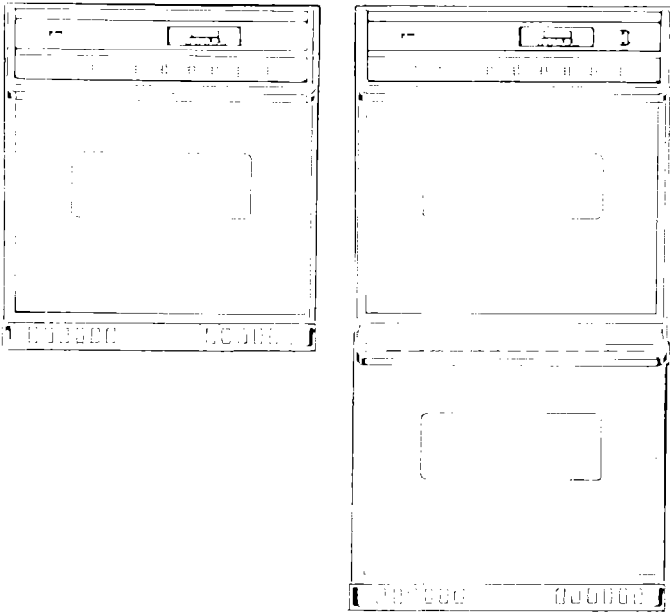


# Installation Instructions



## Electric Built-in 27" and 24" Single and Double Ovens

**ROPER**<sup>TM</sup>

Appliances

**IMPORTANT:**  
Read and save  
these instructions.

**IMPORTANT:**

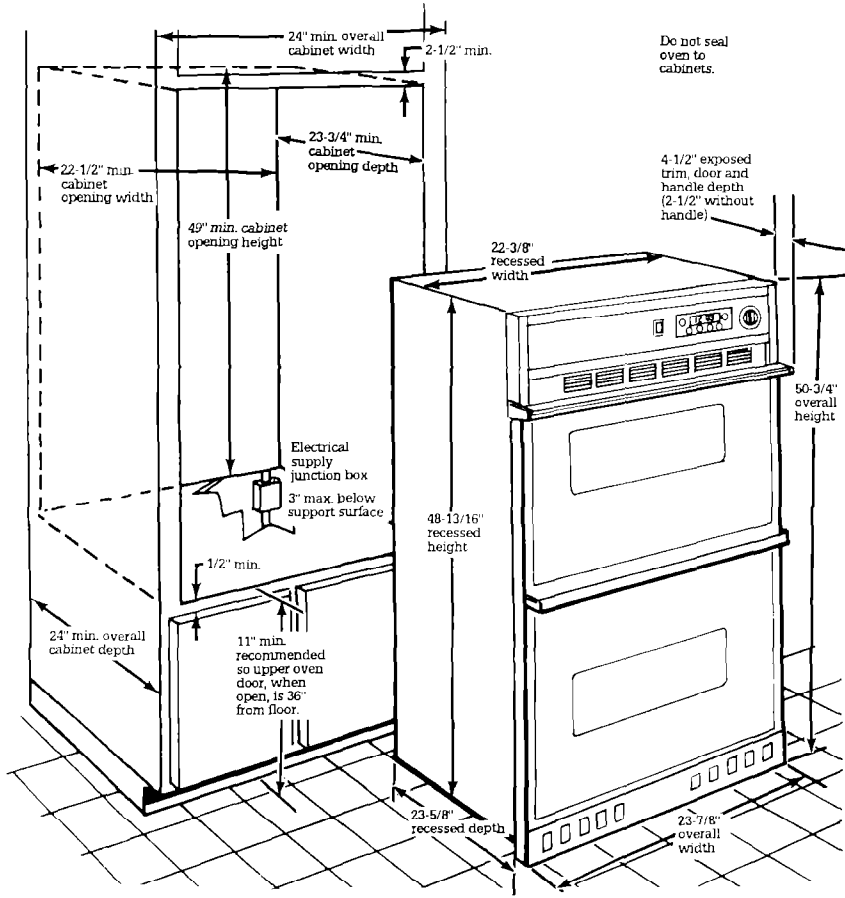
**Installer:** Leave Installation Instructions with the homeowner.

**Homeowner:** Keep Installation Instructions for future reference.

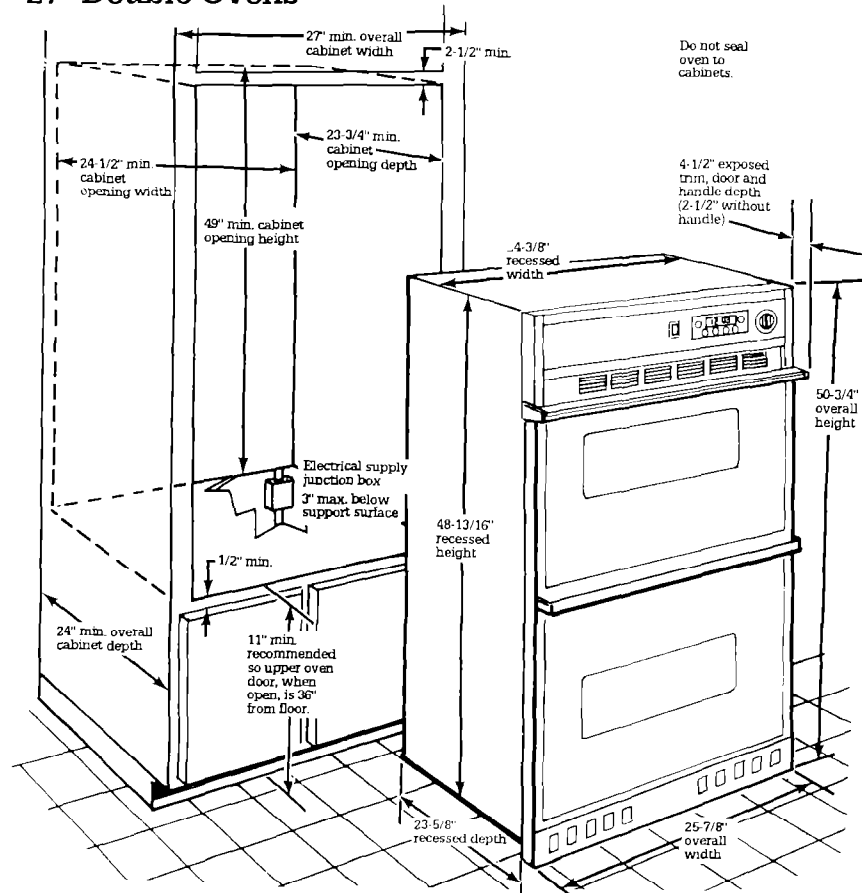
**Save** Installation Instructions for local electrical inspector's use.

Part No. 3180938 Rev. A

## 24" Double Ovens



## 27" Double Ovens



PANEL A

## Before you start...

Read Electrical and Carpentry instructions. Proper installation is your responsibility. A qualified technician should install this oven. Make sure you have everything necessary for correct installation.

Check location where the built-in oven will be installed. The location should be away from strong draft areas, such as windows, doors, and strong heating vents or fans. The built-in oven should be located for convenient use in kitchen.

Cabinet opening dimensions that are shown must be used. Given dimensions provide minimum clearance. Contact surface must be solid and level.

The recessed installation area must provide complete enclosure around the recessed portion of the oven.

ALL OPENINGS IN THE WALL OR FLOOR WHERE THE BUILT-IN OVEN IS TO BE INSTALLED MUST BE SEALED.

Electrical ground is required. See Electrical requirements.

### Note:

The oven support surface must be flush with the bottom of the cabinet cutout.

### Note:

Clearances specified are for combustible walls and materials that have a density of 20 or more pounds per cubic foot. No evaluation of clearances has been made for installations adjacent to materials that are less than 20 pounds per cu. ft. or to plastic tiles and sheeting.

Important: Observe all governing codes and ordinances.

### WARNING

#### Personal Injury Hazard

Securely fasten wall oven to cabinets using the screws provided (4 screws for a double oven or 2 screws for a single oven).

Failure to do so could cause oven to move or tip during use and result in personal injury.

### CAUTION

#### Cabinet Damage

Do Not block the oven vent. Blocking the vent may cause cabinet damage and poor baking performance.

### WARNING

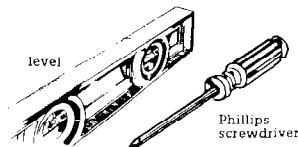
#### Electrical Shock Hazard

It is the customer's responsibility:

- To contact a qualified electrical installer.
- To assure that the electrical installation is adequate and in conformance with National Electrical Code, ANSI/NFPA 70-latest edition\*, and all local codes and ordinances.

Failure to do so could result in fire, electrical shock or other personal injury.

## Tools needed for installation:

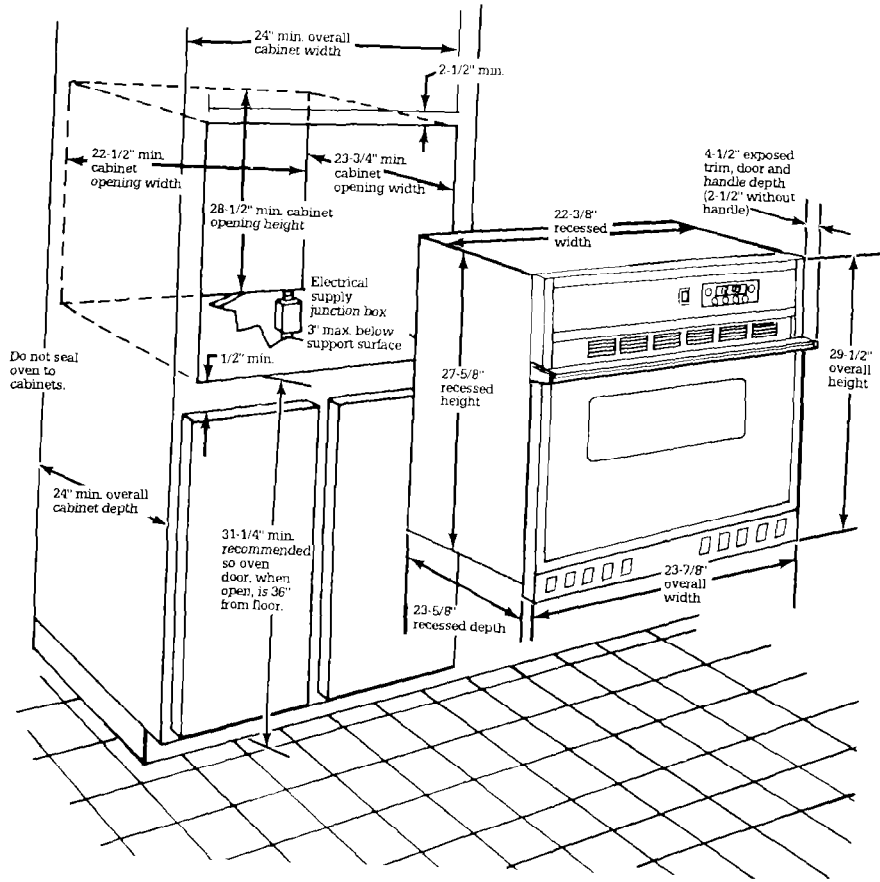


## Parts provided for installation:

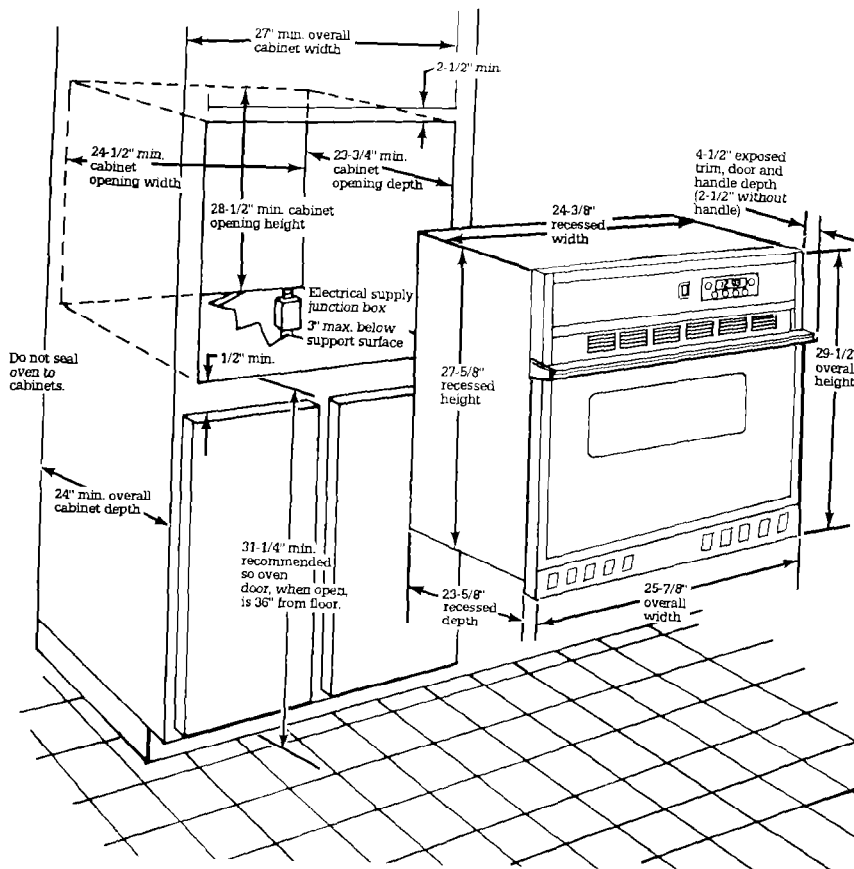


4 screws

## 24" Single Ovens



## 27" Single Ovens



## Electrical requirements

Electrical ground is required on this appliance.

### ⚠ WARNING

#### Electric Shock Hazard

- Check with a qualified electrician if you are in doubt as to whether the appliance is properly grounded. Improper connection of the equipment-grounding conductor line can result in a risk of electrical shock.
- Do Not use an extension cord with this appliance. Such use may result in a fire, electrical shock or other personal injury.
- Do Not have a fuse in the neutral or grounding circuit. A fuse in the neutral or grounding circuit could result in an electrical shock.

Failure to follow these instructions could result in a fire, personal injury, or electrical shock.

Save Installation Instructions for the local electrical inspector's use.

**A.** This appliance must be connected to the proper electrical voltage and frequency as specified on the serial/rating plate. Models rated at 7.0 kw on 240 volts (5.3 kw on 208 volts) or more require a separate 40-ampere circuit. Models rated at 3.6 kw on 240 volts (2.7 kw on 208 volts) or less require a separate 30-ampere circuit. Fuse both sides of the line. A time-delay fuse or circuit breaker is recommended.

**B.** OVEN MUST BE CONNECTED WITH COPPER WIRE ONLY.

**C.** Wire sizes must conform to the requirements of the National Electrical Code, ANSI/NFPA 70-latest edition\*, and all local codes and ordinances for the kilowatt rating of the oven. This rating can be found on the serial/rating plate behind the oven door on the front frame.

**D.** This appliance should be connected to the fused disconnect (or circuit breaker) box through flexible armored or non-metallic, sheathed copper cable (with grounding wire). The flexible armored cable extending from the appliance should be connected directly to the junction box.

**E.** Locate the junction box to allow as much slack in the cable as possible between the junction box and the appliance so that the oven can be moved if servicing is ever needed.

**F.** A U.L.-listed conduit connector must be provided at the junction box.

**G.** It is the personal responsibility and obligation of the customer to contact a qualified electrician to assure that the electrical installation is adequate and is in conformance with the National Electrical Code ANSI/NFPA 70-latest edition\*, and all local codes and ordinances.

Copies of the standard listed may be obtained from:

\*National Fire Protection Association  
Batterymarch Park,  
Quincy, Massachusetts 02269

**H.** A wiring diagram is included in the Tech sheet. The Tech sheet is located behind the control panel.

## Electrical connection

Electrical ground is required on this appliance.

### ⚠ WARNING

#### Electrical Shock Hazard

- Do Not connect appliance to electrical supply until appliance is permanently grounded.
- Disconnect power to the junction box before making the electrical connection.
- This appliance must be connected to a grounded, metallic, permanent wiring system, or a grounding conductor should be connected to the grounding terminal of lead on the appliance.

Failure to follow these instructions could result in a fire, personal injury, or electrical shock.

This appliance is manufactured with white (neutral) power supply wire and a cabinet-connected, green grounding wire (green twisted together).

Connect the appliance cable to the junction box through the U.L.-listed conduit connector. Complete electrical connection according to your installation needs.

### A. Where local codes permit...

connecting the cabinet-grounding conductor to the neutral (white) junction box wire:

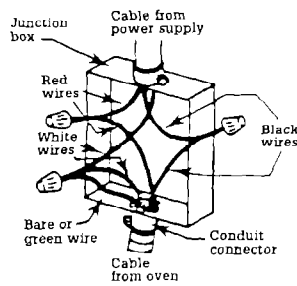


Figure 1

1. Turn power supply off.
2. Connect three wires: green and white appliance cable wires with the neutral (white) wire in junction box.
3. Connect the two black wires together; then the two red wires together. (See Figure 1.)

### B. Where local codes DO NOT permit...

connecting the cabinet-grounding conductor to the neutral (white) junction box wire:

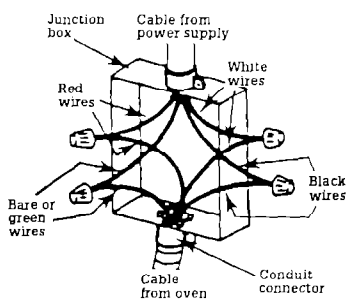


Figure 2

1. Turn power supply off.
2. Connect the white appliance cable wire to the neutral (white) wire in junction box.
3. Connect the two black wires together; then the two red wires together. (See Figure 2.)

4. Connect the grounding wire to a grounded wire in the junction box or to a grounded, copper cold water pipe.\*\*

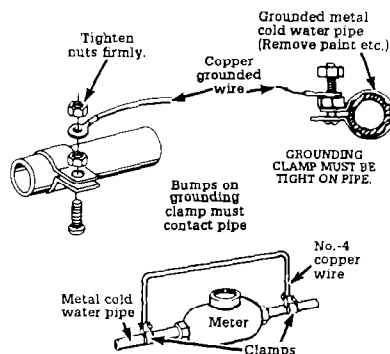


Figure 3

5. A separate copper grounding wire (No. 10 minimum) **MUST** be connected to a grounded metal cold water pipe by means of a clamp and then to the external grounding connector screw. **Do Not ground to a gas supply pipe or hot water pipe.** Do Not connect to electrical supply until appliance is permanently grounded. (See Figure 3.)

\*\* Grounded metal cold water pipe must have continuity to electrical ground and not be interrupted by plastic, rubber or other electrical insulating connectors such as hoses, fittings, washers or gaskets (including water meter or pump). Any electrical insulating connector should be jumped as shown with a length of No. 4 copper wire securely clamped to bare metal at both ends

### C. IF connecting to a four-wire electrical system...

DO NOT connect the cabinet-grounding conductor to the neutral (white) junction box wire.

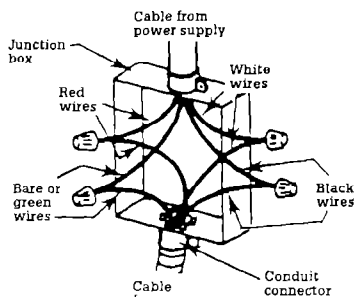


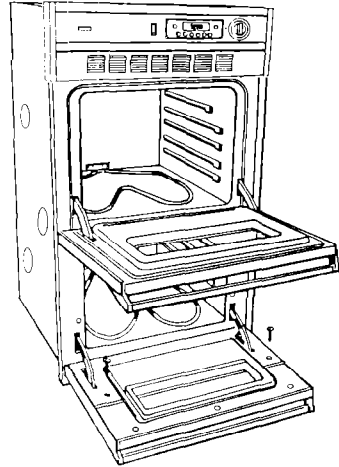
Figure 4

1. Turn power supply off.
2. Separate the green and white appliance cable wires.
3. Connect the white appliance cable wire to the neutral (white) wire in junction box.
4. Connect the two black wires together; then the two red wires together. (See Figure 4.)
5. Connect the green appliance cable wire to green grounding wire in the junction box.

**Now start...**  
With oven in kitchen.

**1.** Remove shipping materials, tape and protective film from wall oven. Do Not remove the foam shipping base at this time.

**2.** Remove racks and other parts from inside oven. Remove the air grille taped to the top or side of oven.



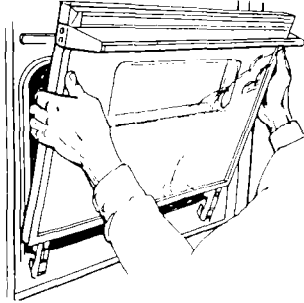
**3.** Completely open lower oven door. Remove the two oven door screws. (Not all models have oven door screws.)

**CAUTION**

**Personal Injury/Product Damage**

- Use both hands to remove oven doors.
- Grasp only the sides of the oven door. Do Not use any portion of the front frames or trim for lifting.

Failure to properly grasp oven door could result in damage to product or personal injury.



**4.** Close lower oven door to the broil position. Grasp the sides of the oven door and pull the door up and out of hinge slots to remove. Set door aside.

**5.** Repeat Steps 3 and 4 for upper oven door.

**CAUTION**

**Floor Damage**

Keep shipping base under oven. Failure to do so could cause damage to floor covering.

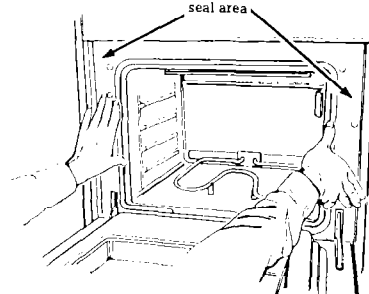
**6.** Turn power supply off. Move oven close to final position. Remove and discard foam shipping base. Feed appliance cable through opening in cabinet. Make electrical connections. See Electrical requirements and Electrical connection sections, Panel B.

**CAUTION**

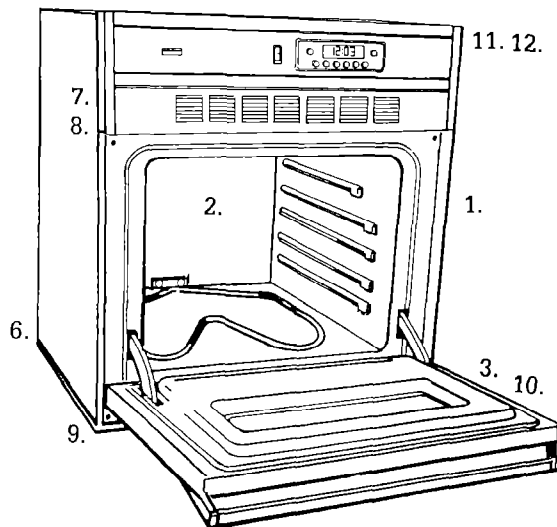
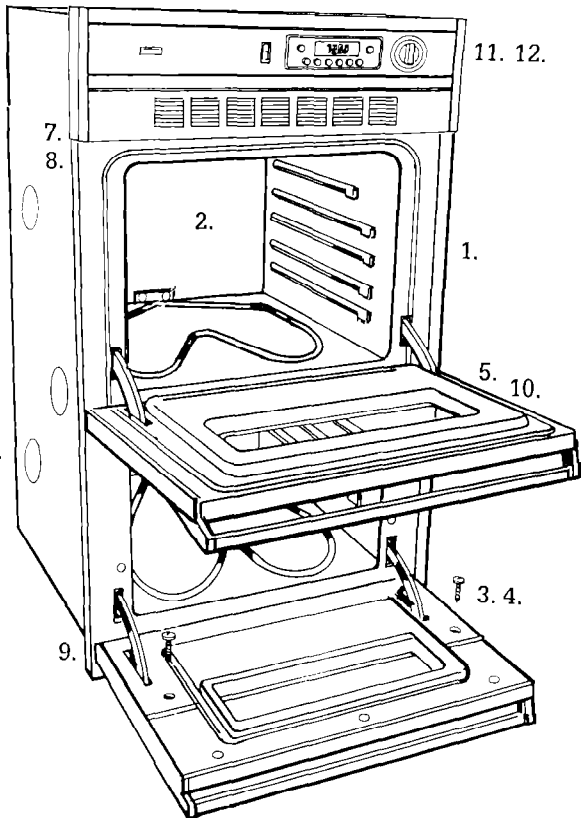
**Product Damage**

Carefully push against seal area of the front frame when pushing oven into cabinet. Do Not push against outside edges.

Failure to follow this instruction can result in damage to the porcelain finish.



**7.** Lift wall oven up to cabinet cutout using the oven opening as an area to grip. Push against seal area of front frame to push oven into cabinet.



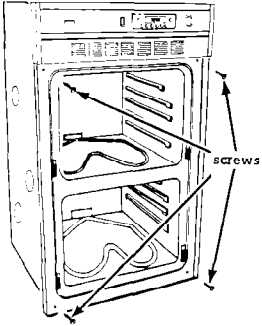
Numbers correspond to steps.

## CAUTION

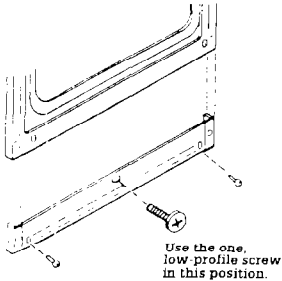
### Personal Injury/Product Damage

Securely fasten oven to cabinets using the four screws provided.

Failure to do so could cause the oven to move or tip during use and result in personal injury or product damage.

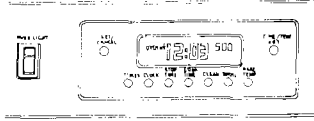


- 8.** Center oven into cabinet cutout. Use two screws (four screws for a double oven) through the mounting holes in the front frame of the oven to secure the oven to the cabinet. Do Not overtighten screws.



- 9.** Install lower air grille using the three screws provided.

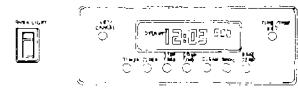
- 10.** Replace the oven racks. Replace upper oven door by partially fitting the door hinges into the hinge slots. Pull door slightly toward you, then slide door completely in place. Reinstall the two oven-door screws (if required for your oven door). If door does not close, you have not pushed hinges completely into frame. Repeat for lower oven door. Turn power supply on.



- 11.** Check the operation of the upper (or single) oven.

Push "Bake" button. "500°F" will appear in the display and the "Bake" light will come on. Press "Bake" button until 350°F appears in the display. The bottom and upper, outer elements should glow red. The upper (or single) oven "on" indicator light should be on and the oven should be heating. Push the cancel button. The time of day should appear in the display.

**Check the operation of the lower oven.** Set the lower oven control knob to 350°F. The bottom and upper, outer elements should glow red. The lower oven indicator light should be on and the oven should be heating. Turn the control knob to "OFF".



- 12.** Check the operation of the upper (or single) oven broil element. Push the "Broil" button. "500°F" will appear in the display and the "Broil" indicator light will come on. Turn oven control knob until "HI Broil" appears in the display. Both top elements should glow red. The upper (or single) oven "On" indicator light should be on and the oven should be heating. Push the cancel button. The time of day should appear in the display.

**Check the operation of the lower oven.** Set the lower oven temperature control knob to "Broil". The top, inner elements should glow red. The lower oven indicator light should be on and the oven should be heating. Turn the control knob to "OFF".

**Congratulations!**  
You have just finished  
installing your new,  
Roper oven. Keep Installation  
Instructions available for  
easy reference.